

*Thin Twin
Washer•Dryer – 240 Volt*

Installation Instructions

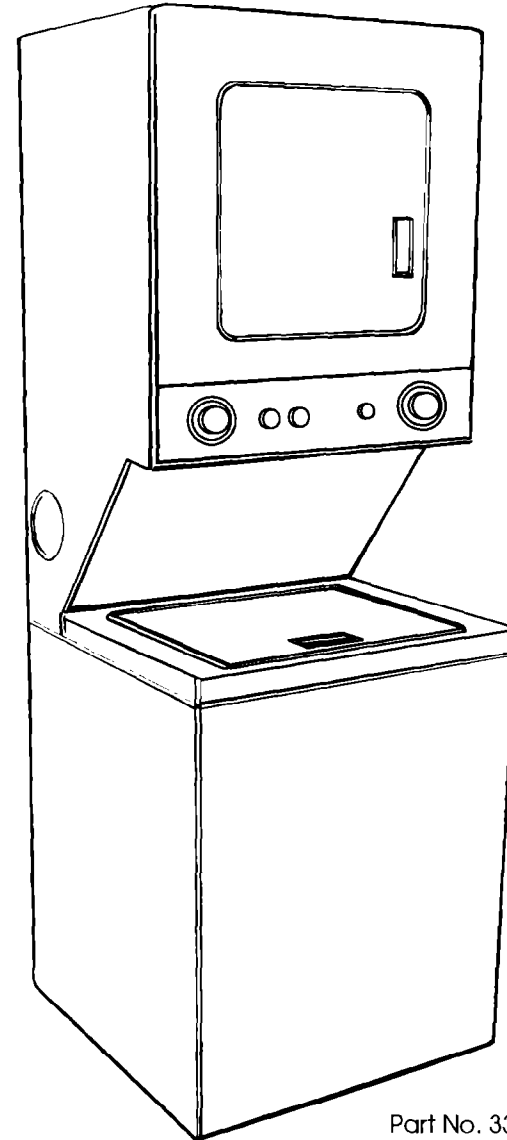
**IMPORTANT:
Read and save
these instructions.**

IMPORTANT:

Installer: Leave Installation Instructions with the homeowner.

Homeowner: Keep Installation Instructions for future reference.

Save Installation Instructions for local electrical inspector's use.



Part No. 3397612

11/95

Before you start...

Check location where washer/dryer will be installed. Proper installation is your responsibility. The washer/dryer must not be installed or stored in an area where it will be exposed to water and/or weather. Make sure you have everything necessary for correct installation.

Location: Should be large enough to fully open dryer door to 90°. See Panel G for "Recessed and closet installation instructions" and "Product dimensions."

Grounded electrical outlet is required. See "Electrical requirements."

Standpipe drain system: Needs a two-inch diameter standpipe with minimum carry-away capacity of 17 gallons per minute. Top of standpipe must be at least 28 inches high and no higher than 48 inches from floor.

Floor drain system requires a siphon break, Part No. 285320, available from your authorized parts distributor.

Check code requirements: Some codes limit or Do Not permit installation of clothes dryers in garages, closets, mobile homes and sleeping quarters. Contact your local building inspector.

Check utilities: Proper water and electrical supply connections **must** be available.

Do Not store or operate washer/dryer below 32°F (some water may remain in washer). Proper operation of dryer cycles requires temperatures above 45°F. See Use & Care Guide for "Winterizing" information.

Hot and cold water faucets: Must be within 4 feet of the back of the washer/dryer and provide water pressure of 5-100 PSI.

Water heater: Set to deliver 140°F water to the washer.

Laundry tub drain system: Needs a 20-gallon laundry tub. Top of tub must be at least 28 inches high and no higher than 48 inches from floor.

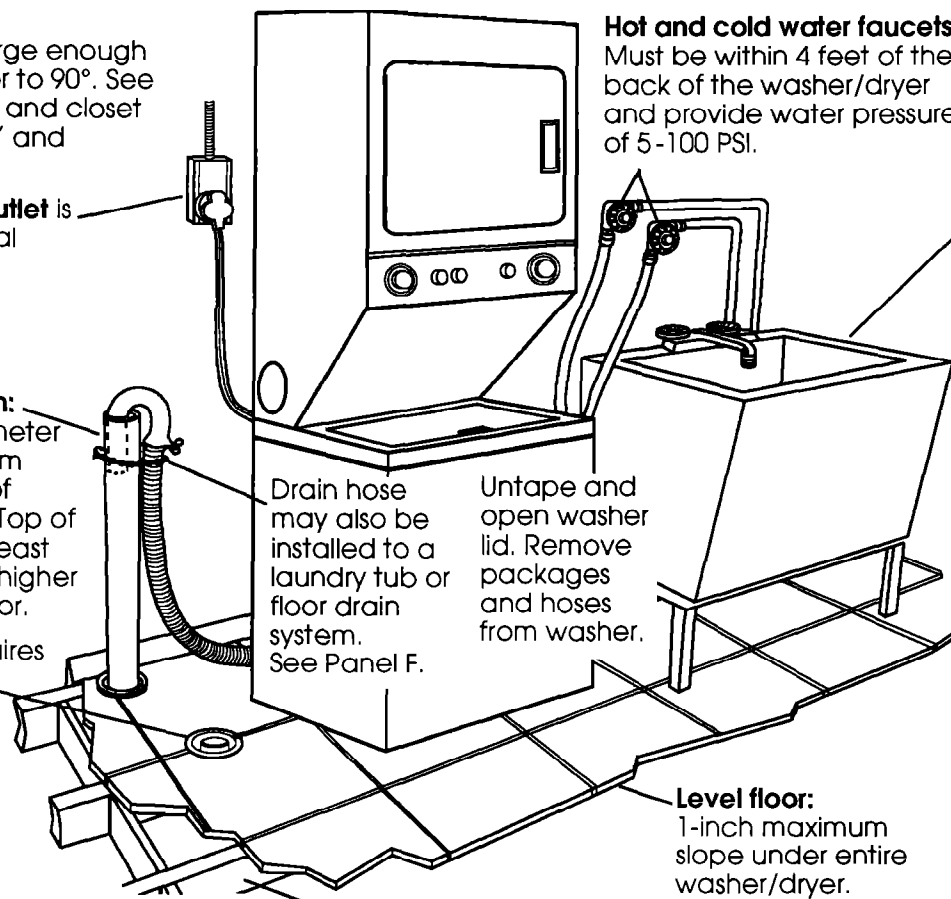
If a longer drain hose is needed, drain hose (Part No. 388423) and hose extension kit (Part No. 285442) are available from your authorized parts distributor.

Dryer may be exhausted from the rear or left or right side. Exhausting through the side requires Part No. 279823. See "Exhaust requirements," Panels C and D.

Four-inch metal exhaust duct is required.

SEE RECESSED AREA INSTRUCTIONS ON PANEL G.

Important: Observe all governing codes and ordinances.



Support: Floor must be sturdy enough to support washer/dryer weight, with water and clothes, of 375 pounds.

⚠ WARNING

Electrical Shock Hazard

It is the customer's responsibility:
To contact a qualified electrical installer.
To assure that the electrical installation is adequate.

Failure to do so could result in death or serious injury.

Fire Hazard

For your safety, the information in this manual must be followed to minimize the risk of fire or explosion or to prevent property damage, personal injury or loss of life.

- Do Not store or use gasoline or other flammable vapors and liquids in the vicinity of this or any other appliance.
- Never install washer/dryer up against draperies or curtains or on carpet.
- Keep any and all items from falling or collecting behind the washer/dryer.
- Replace all access panels before operating washer/dryer.

Failure to follow these instructions could result in a fire.

Electrical requirements

⚠ WARNING

Electrical Shock Hazard

Electrical ground is required on this washer/dryer.

Do Not ground to a gas pipe.

Do Not modify the power supply cord plug. If it will not fit the outlet, have a proper outlet installed by a qualified electrician.

Use a new 30-ampere power supply cord kit. Do Not reuse an old power supply cord. Possible electrical shock or fire hazard could occur if old power supply cord is used.

Do Not have a fuse in the neutral or grounding circuit. A fuse in the neutral or grounding circuit could result in an electrical shock.

Do Not use an extension cord with this washer/dryer.

Check with a qualified electrician if you are not sure washer/dryer is properly grounded.

Failure to follow these instructions could result in death or serious injury.

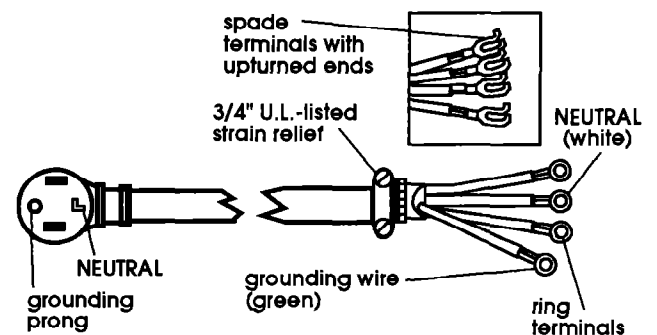
electrical installation is adequate and in conformance with the National Electrical Code, ANSI/NFPA 70 — latest edition*, and all local codes and ordinances.

Copies of the standards listed above may be obtained from:

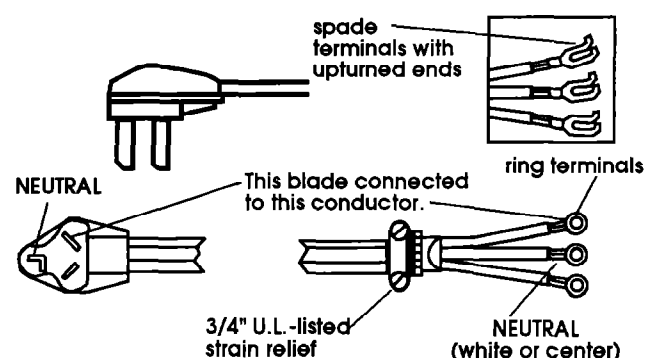
* National Fire Protection Association
 Batterymarch Park
 Quincy, Massachusetts 02269

Power supply cord

Local codes may permit the use of a U.L.-listed, 120/240-volt minimum, 30-ampere, dryer power supply cord kit (pigtail). Power supply cord should be Type SRD or SRDT and be at least four feet long. The wires that connect to the dryer must end with ring terminals or spade terminals with upturned ends. A 3/4" U.L.-listed strain relief must be installed where the power supply cord connects to the dryer (see Figures 1 and 2).

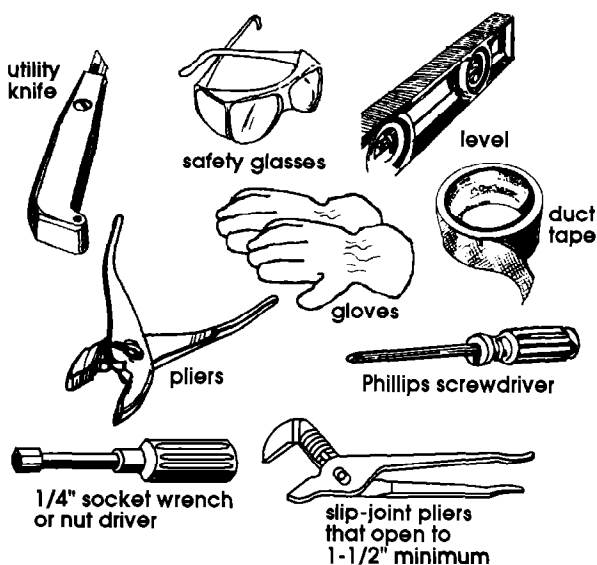


**Four-wire power supply cord
 NEMA 14-30P
 Figure 1**



**Three-wire power supply cord
 NEMA 10-30P
 Figure 2**

Tools and materials needed for installation:



If codes permit and a separate grounding wire is used, it is recommended that a qualified electrician determine that the grounding path is adequate.

A four-wire or three-wire, single-phase, 120/240-volt, 60-Hz, AC-only electrical supply (or four-wire or three-wire, 120/208-volt, if specified on the model/serial rating plate) is required on a separate, 30-ampere circuit, fused on both sides of the line. A time-delay fuse or circuit breaker is recommended. The model/serial rating plate is located in the door well behind the dryer door on the front of the opening.

It is the personal responsibility and obligation of the customer to contact a qualified electrician to assure that the

For use where local codes permit use of flexible power supply cord.

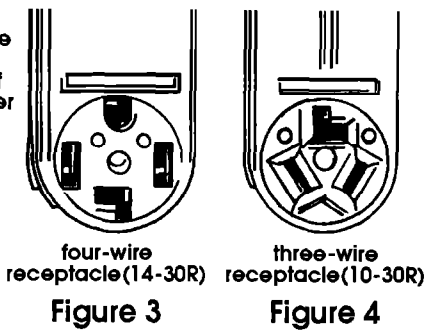


Figure 3

Figure 4

Four-wire installation is recommended (required for mobile homes): The power supply cord must have four, No.-10 copper wires and match a four-wire receptacle of NEMA Type 14-30R (see Figure 3). The fourth wire (grounding conductor) must be identified with a green cover and the neutral conductor by a white cover.

Three-wire installation (if a four-wire system is not available): The power supply cord must have three, No.-10 copper wires to match a three-wire receptacle of NEMA Type 10-30R (see Figure 4).

Direct wire

The washer/dryer can be connected directly to fused disconnect or circuit breaker box with four-wire or three-wire flexible armored or non-metallic sheathed copper cable (with grounding wire). Do Not use two-wire with bare grounding wire. All current-carrying wires must be insulated.

A conduit connector must be installed at junction box. USE ONLY 10-GAUGE SOLID COPPER WIRE. DO NOT USE ALUMINUM WIRE. Allow four feet of slack in the line so dryer can be moved if servicing is ever necessary.

Electrical connection

WARNING



Electrical Shock Hazard
Check that wiring you are using matches colors shown in illustrations and specified in instruction steps. If wiring does Not match, it is your responsibility to have a qualified electrician install the correct wiring. Failure to install the correct wiring could result in death or serious injury.

This washer/dryer is manufactured with the neutral terminal connected to the cabinet.

A. Four-wire connection...

POWER SUPPLY CORD

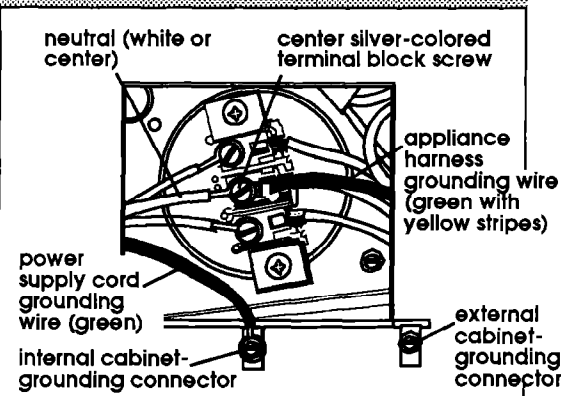


Figure 5

1. Disconnect the power supply.
2. Remove terminal block cover.
3. Install copper, four-wire power supply cord through strain relief.
4. Remove the appliance harness grounding wire (green with yellow stripes) from the internal grounding connector and fasten under center, silver-colored terminal block screw.
5. Connect the grounding wire (green) of the copper, four-wire power supply cord to the internal grounding connector.
6. Connect the neutral wire (white) of the power supply cord to the center, silver-colored terminal screw of the terminal block. Connect the other wires to the outer terminals. Tighten screws firmly.
7. Tighten strain relief screws.
8. Replace the terminal block cover.

B. Three-wire connection...

Where local codes permit connecting cabinet-grounding conductor to the neutral wire:

POWER SUPPLY CORD

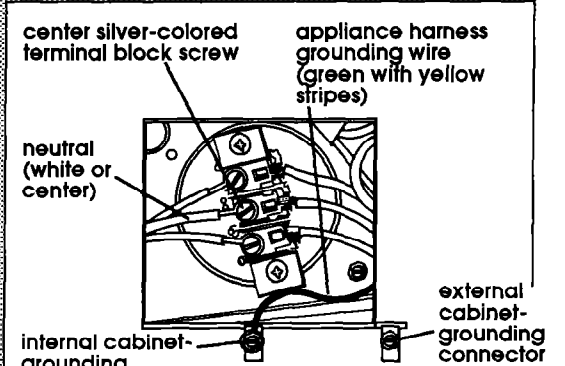


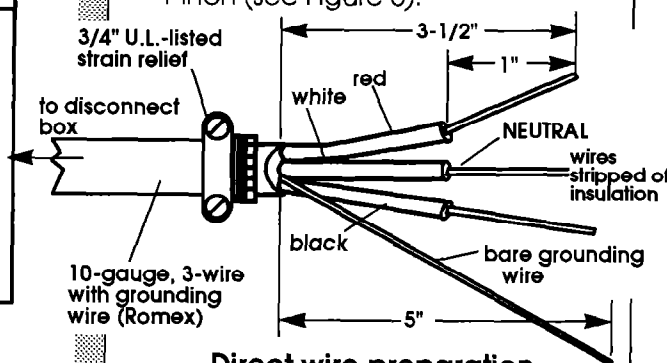
Figure 8

1. Disconnect the power supply.
2. Remove terminal block cover.
3. Install copper three-wire power supply cord through strain relief.
4. Connect the neutral wire (white or center) of the power supply cord to the center, silver-colored terminal screw of the terminal block. Connect the other wires to the outer terminals. Tighten screws firmly.
5. Tighten strain relief screws.
6. Replace the terminal block cover.

Where local codes permit connecting cabinet-grounding conductor to the neutral wire of the power supply cable:

DIRECT WIRE

1. Disconnect the power supply.
2. Remove terminal block cover.
3. Strip 5 inches of outer covering from end of cable. Leave bare grounding wire at 5 inches. Cut 1-1/2 inches from 3 remaining insulated wires. Strip insulation back 1 inch (see Figure 6).



Direct wire preparation
Figure 6

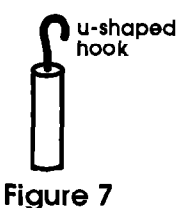


Figure 7

Shape the end of each wire into a "U" shaped hook (see Figure 7). The bare grounding wire must be 4-1/2" long after forming the hook.

4. Install copper, four-wire power supply cable through strain relief.
5. Remove the appliance harness grounding wire (green with yellow stripes) from the internal grounding connector and fasten under center, silver-colored terminal block screw.
6. Slide the hook end of the grounding wire (bare) of the four-wire power supply cable under the internal grounding connector screw. Squeeze hook end of wire together. Tighten screw.
7. Connect the neutral wire (white) of the power supply cable to the center, silver-colored terminal screw of the terminal block using the same method. Connect the other wires to the outer terminals. Tighten screws firmly.
8. Tighten strain relief screws.
9. Replace the terminal block cover.

DIRECT WIRE

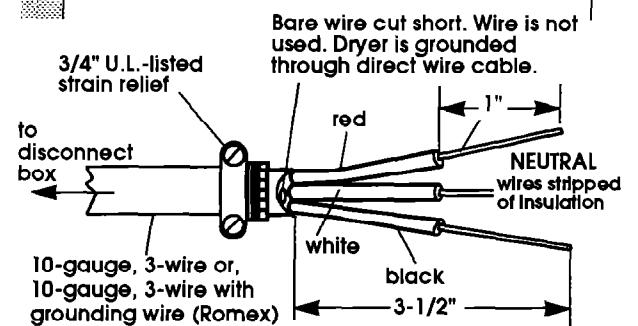
1. Disconnect the power supply.

WARNING



Electrical Shock Hazard
Do Not use two-wire with a bare grounding wire. All current-carrying wires must be insulated. Failure to install the correct wiring could result in death or serious injury.

2. Remove terminal block cover.
3. Strip 3-1/2 inches of outer covering from end of cable. If using three-wire cable with grounding wire, cut the bare wire even with outer covering. Strip 1 inch of insulation from the end of each insulated wire (see Figure 9).



Direct wire preparation
Figure 9



Figure 10

Shape the end of each wire into a "U" shaped hook (see Figure 10).

DIRECT WIRE, cont.

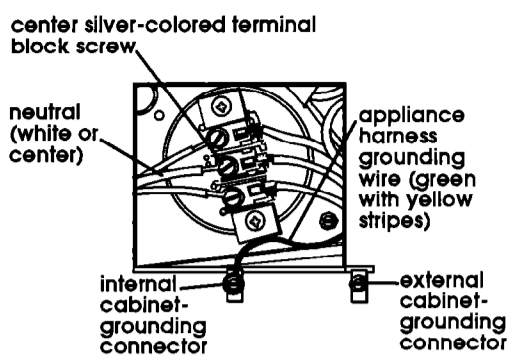
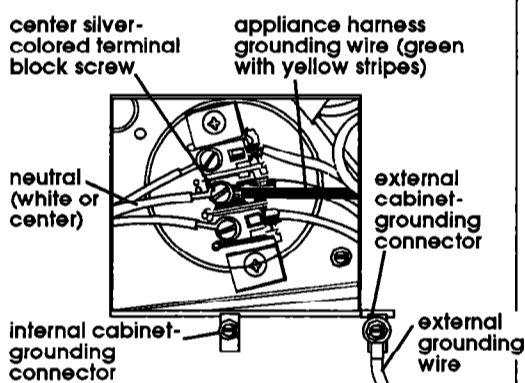


Figure 11

4. Install copper, three-wire power supply cable through strain relief.
5. Slide the hook end of the neutral (white or center) wire from the three-wire power supply cable under the center, silver-colored terminal screw of the terminal block. Squeeze the hook end of the wire together. Tighten screw.
6. Connect the other wires to the outer terminals using the same method. Tighten screws firmly (see Figure 11).
7. Tighten strain relief screws.
8. Replace the terminal block cover.

Where local codes DO NOT permit connecting the cabinet-grounding conductor to the neutral (white) wire:

POWER SUPPLY CORD OR DIRECT WIRE



Connect separate copper grounding wire from external grounding connector to approved ground.

Figure 12

1. Disconnect the power supply.
2. Remove terminal block cover.
3. Install solid copper, power supply cord or cable through strain relief.
4. Remove the appliance harness grounding wire (green with yellow stripes) from the internal grounding connector.
5. Connect the grounding wire (green with yellow stripes) and the neutral (white) wire of the power supply cord or direct wire cable to the center, silver-colored terminal screw of the terminal block. Connect the other wires to the outer terminals. Tighten screws (see Figure 12).
6. Connect a separate copper grounding wire (No.-10 minimum). See "Connection details" for detailed instructions.
7. Tighten strain relief screws.
8. Replace the terminal block cover.

Connection details...

To connect a separate grounding wire —

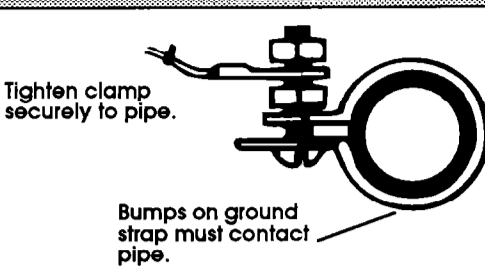


Figure 13

Use grounding wire and clamp assembly (Part No. 685463) or No.-10 gauge minimum copper grounding wire.

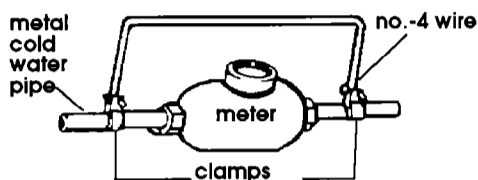


Figure 14

Connect grounding wire to a grounded cold water pipe* with the clamp and then to the external grounding connector on the washer/dryer (see Figures 13 and 14). **Do not ground to a gas supply pipe or hot water pipe.** Do not connect the power supply cord to electrical power supply until the washer/dryer is permanently grounded.

* Grounded cold water pipe must have metal continuity to electrical ground and not be interrupted by plastic, rubber or other electrical insulating connectors such as hoses, fittings, washers or gaskets (including water meter or pump). Any electrical insulating connector should be jumped as shown in Figure 14 with a length of No.-4 wire securely clamped to bare metal at both ends.

Exhaust requirements

⚠ WARNING



Fire Hazard

- Do Not use non-metal, flexible duct.
- Do Not use metal duct smaller than 4 inches in diameter.
- Do Not use exhaust hoods with magnetic latches.
- Check that exhaust system is not longer than specified. Exhaust systems longer than specified will:
 - Accumulate lint.
 - Shorten the life of the product.
 - Reduce performance and result in longer drying times and increased energy usage.

Failure to follow these instructions could result in a fire.

Do Not exhaust the dryer into a chimney, furnace cold air duct, attic or crawl space, or any other duct used for venting.

Clean the exhaust system every year.

Do Not install flexible duct in walls, ceiling or floors.

Accumulated lint could cause a fire or moisture damage.

Exhausting your dryer indoors is Not recommended. The moisture and lint indoors may cause:

- Lint to gather inside and around the dryer and could cause a fire.
- Moisture damage to woodwork, furniture, paint, wallpaper, carpet, etc.
- Housecleaning problems and possible health problems.

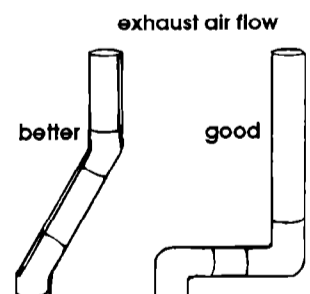
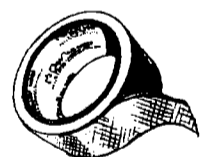
Failure to follow these instructions could result in fire damage, personal injury or health problems.

If using an existing exhaust system, clean lint from entire length of exhaust system. Make sure exhaust hood is not plugged with lint.

The exhaust system should be inspected and cleaned yearly.

Replace any vinyl or metallized plastic foil exhaust duct with rigid metal or flexible metal duct.

Use duct tape to seal all joints. Do Not use screws to secure duct.

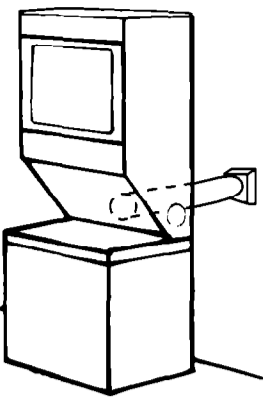


Four-inch rigid metal pipe is preferred. Plan installation to use the fewest number of elbows and turns.

Metal flexible duct should be fully extended and supported when the dryer is in its final position. DO NOT KINK OR CRUSH THE DUCT. The metal flexible duct must be fully extended to allow adequate exhaust air to flow.

Allow as much room as possible when using elbows or making turns. Bend duct gradually to avoid kinking. Remove excess flexible duct to avoid sagging and kinking that may result in reduced air flow.

The **exhaust duct** can be routed up, down, left, right or straight out the back of the washer/dryer. Space requirements are provided on Panel G and on the rear panel of the washer/dryer. Use the straightest path you can to avoid 90° turns.



Maximum length of the exhaust system depends upon the type of duct used, number of elbows and the type of exhaust hood. The maximum length for both rigid and flexible duct is shown in the chart.

NUMBER OF 90° TURNS	4" dia. duct			Maximum length of 4" dia. duct.	
	4"	4"	2-1/2"		
0	43 ft	41 ft	36 ft	rigid metal duct	
1	33 ft	31 ft	26 ft		
2	23 ft	21 ft	16 ft		
3	18 ft	18 ft	not recommended		
0	30 ft	41 ft	41 ft	flexible metal duct	
1	24 ft	31 ft	31 ft		
2	16 ft	21 ft	21 ft		
3	10 ft	9 ft	not recommended		

The maximum length using a 2" x 6" rectangular duct with 2 elbows and a 2-1/2" (TYPE C) exhaust hood is 8 ft.

For exhaust configurations other than those listed in the chart, the back pressure MUST not exceed 0.2 inches water column at the back of the washer/dryer. The back pressure should be checked by a qualified technician.

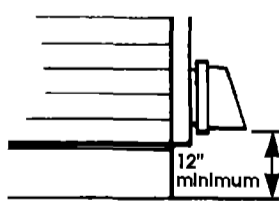
For exhaust systems not covered by the exhaust length chart, see *Service Manual*, Part No. 603197, available from your authorized parts distributor.

Service check: The back pressure in any exhaust system used must not exceed 0.2 inches of water column measured with an inclined manometer at the point that the exhaust duct connects to the dryer.

Exhausting the dryer outside is recommended. Recessed installation that is not exhausted outside must use Exhaust Deflector Kit Part No. 694609, available from your authorized parts distributor. See "Recessed and closet installation instructions," Panel G, for unobstructed air opening requirements.

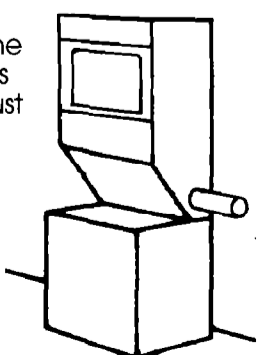
If the washer/dryer is installed in a confined area such as a bedroom, bathroom or closet, it must be exhausted to the outside and provision must be made for enough air for ventilation. Check governing codes and ordinances. Also refer to the "Recessed and closet installation instructions" on Panel G.

An **exhaust hood** should cap the exhaust duct to prevent exhausted air from returning into dryer. The outlet of the hood must be at least 12 inches from the ground or any object that may be in the path of the exhaust.



Four-inch exhaust hood is preferred. However, a 2-1/2-inch exhaust hood may be used. A 2-1/2-inch exhaust hood creates greater back pressure than other hood types. **For permanent installation, a stationary exhaust system is required.**

Exhausting the dryer through the side of the washer/dryer requires the use of Side Exhaust Kit, Part No. 279823, available from your authorized parts distributor. Follow kit Installation Instructions for proper exhaust installation.



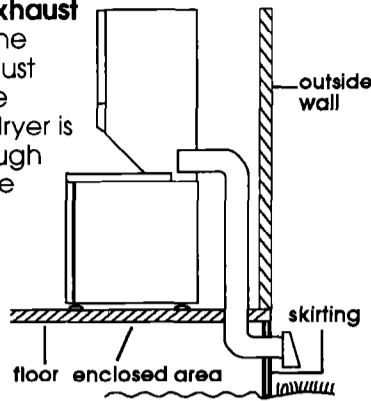
Panel D

Mobile home installation

This washer/dryer is suitable for mobile home installations. The installation of the washer/dryer must conform to the **Manufactured Home Construction and Safety, Title 24 CFR, Part 3280 (formerly the Federal Standard for Mobile Homes Construction and Safety, Title 24, HUD Part 280, latest edition).**

Mobile home exhaust requirements:

The washer/dryer must have an outside exhaust. If the dryer is exhausted through the floor and the area under the mobile home is enclosed, the exhaust system **must terminate outside the enclosed area.** Extension beyond the enclosure will prevent lint and moisture buildup under the mobile home.



Now start...
with washer/dryer in laundry area.

WARNING

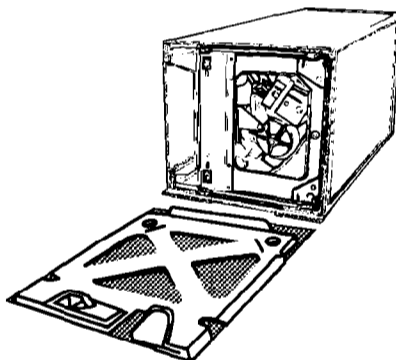
Injury Hazard

More than one person is required to lift, tilt or move the washer/dryer because of its weight and size.

Failure to follow this instruction may result in injury.

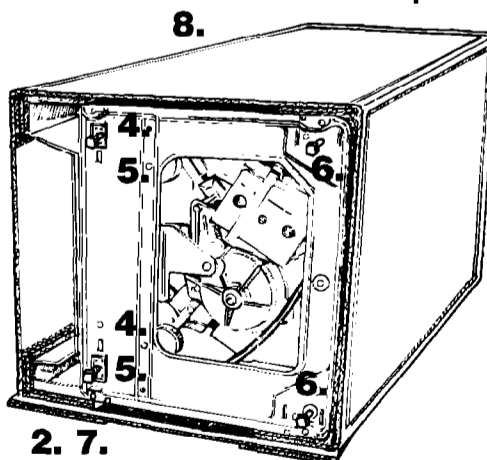
Truck only from rear to prevent product damage.

1. Put on safety glasses and gloves.

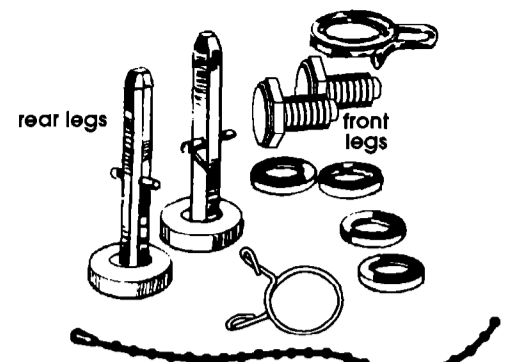


2. Remove shipping cardboard base.

Numbers correspond to steps.



2. 7.

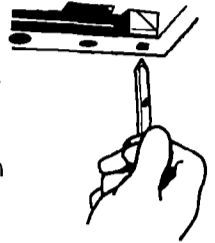


- 4 legs
- 1 drain hose clamp
- 1 plastic beaded strap

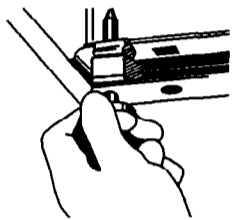
- 4 flat, water-hose washers
- 1 small clamp

3. Remove parts from plastic package. Check that all parts were included.

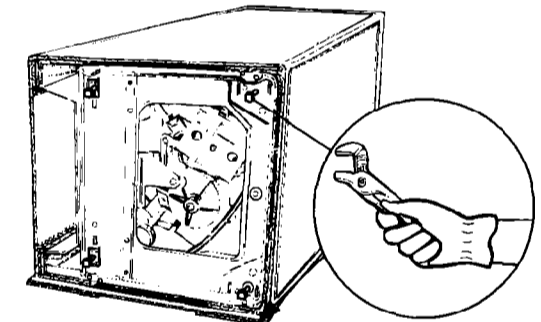
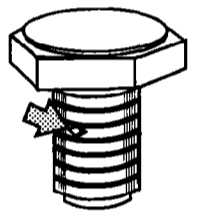
4. Insert a rear-leveling leg into the hole in the rear corner on the bottom of the washer/dryer. Push leg in until it snaps into place. Do the same same thing with the other leveling leg in the other rear corner.



5. Push up one leg; check to see that the other leg goes down. Check the other leg the same way. (If legs do not adjust, repeat Step 4.)



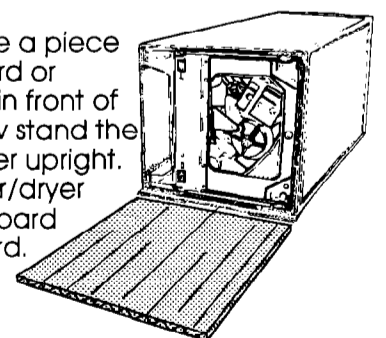
6. With one of the front legs in hand, check the ridges for a diamond marking. That's how far the leg is supposed to go into the hole. Start to screw the legs into the holes in the front corners by hand.



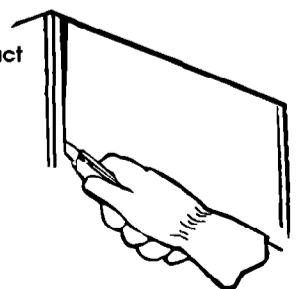
Use slip-joint pliers to finish turning the front legs until you reach the diamond mark.

Slide washer/dryer onto cardboard or hardboard before moving across floor to prevent damage to floor covering.

7. Place a piece of cardboard or hardboard in front of carton. Now stand the washer/dryer upright. Slide washer/dryer onto cardboard or hardboard.

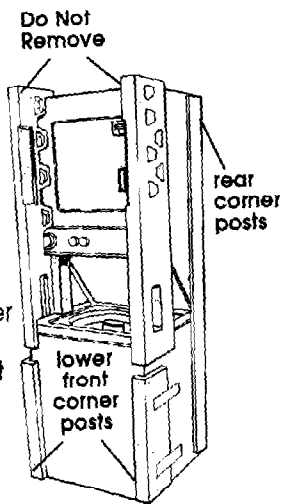


To prevent product damage, do not remove corner posts inside the carton before cutting.



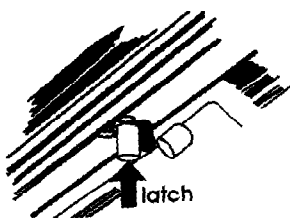
8. With the corner posts in place, cut the carton down one corner. Remove carton.

9. Remove the two rear corner posts located at the back of the washer/dryer. Remove the two corner pieces attached to the lower front of the washer/dryer. Do **Not** remove the foam shipping pieces between the washer and dryer until the washer/dryer is in place.

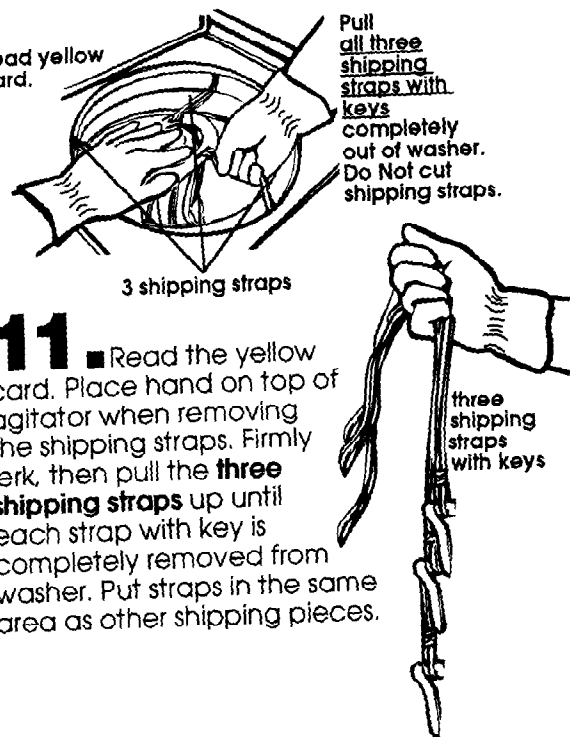


Numbers correspond to steps.

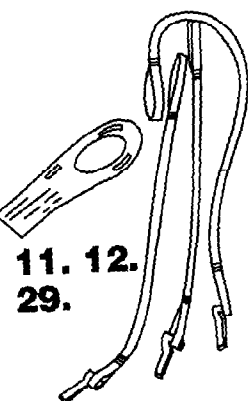
10. Move foam shipping pieces outward just enough to clear the washer lid. Open the washer lid. The latch under the dryer will hold lid open.



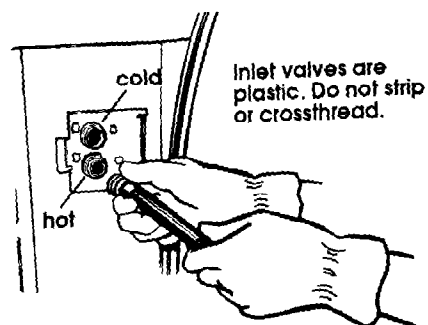
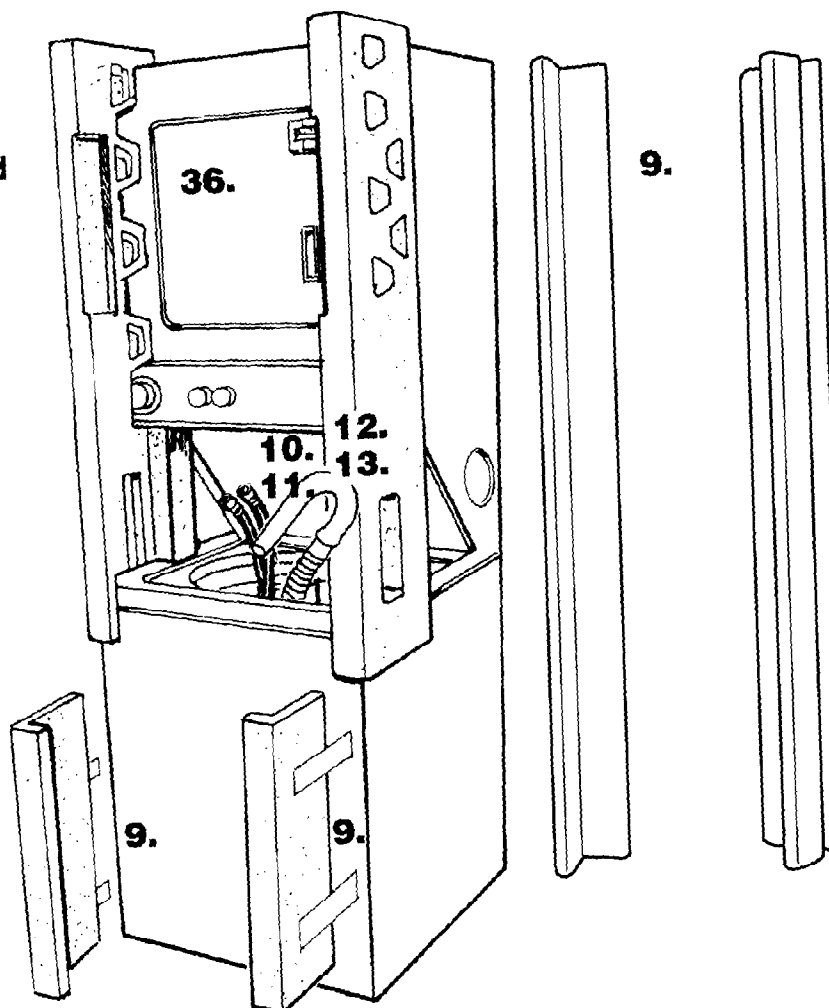
Read yellow card. Pull all three shipping straps with keys completely out of washer. Do **Not** cut shipping straps.



11. Read the yellow card. Place hand on top of agitator when removing the shipping straps. Firmly jerk, then pull the **three shipping straps** up until each strap with key is completely removed from washer. Put straps in the same area as other shipping pieces.



11. 12. 29.



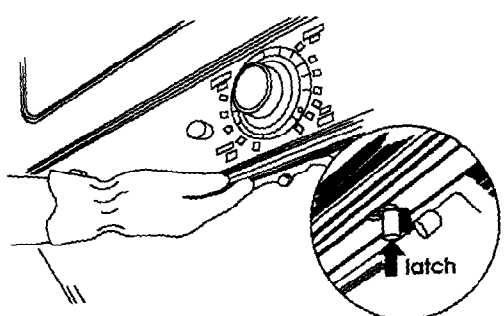
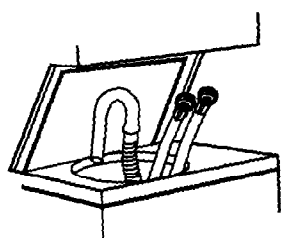
16. Attach hose to bottom (hot water) inlet valve opening first; then second hose to top (cold water) inlet valve. Tighten couplings by hand. Use pliers to make an additional two-thirds turn.

Slide washer/dryer onto cardboard or hardboard before moving across floor to avoid damaging floor covering.

19. If you have room to work from either side of the washer/dryer, move washer/dryer close to final position so you can easily complete the following steps. (Go to Step 20.)

If you are working in a closet or recessed area, move the washer/dryer into final position and remove cardboard/hardboard from under washer/dryer. Remove the two foam shipping pieces between the washer and dryer and place with the other shipping pieces. Remove the two Phillips-head screws located at the top of the access panel. (See illustration for Step 25.) Remove access panel and set access panel and screws aside. Complete the following steps through the access area.

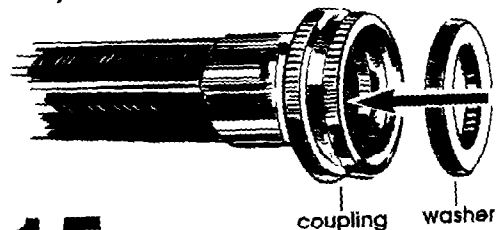
12. Remove yellow card. Take hoses out of basket. Place hoses with other parts.



13. Release washer lid by pushing up on latch. Close lid.

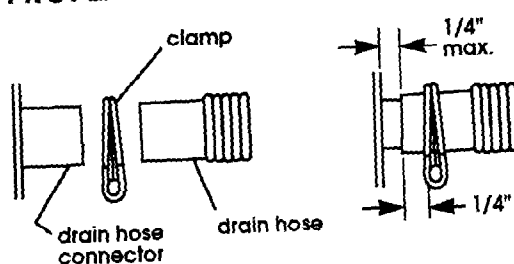
14. Disconnect the power supply. Connect power supply card or cable to dryer. See "Electrical connection," Panels B and C. Do **Not** plug power supply cord into outlet or reconnect power at this time.

Use new hoses and washers that came with your washer/dryer.



15. Insert a flat washer into each end of the inlet hoses. Check that washers are firmly seated in couplings.

IMPORTANT: THIS PROCEDURE MUST BE FOLLOWED TO ASSURE PROPER INSTALLATION.



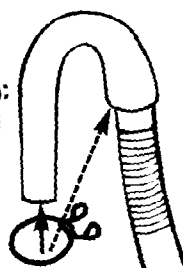
17. To prevent the drain hose from coming off or leaking, it must be installed per the following instructions:

1. Wet the inside end of the drain hose with tap water. **DO NOT USE ANY OTHER LUBRICANT.**
2. Squeeze ears of drain hose clamp with pliers to open and place clamp over the end of the drain hose.
3. While holding clamp open, work end of drain hose onto drain connector.
4. Position clamp over the drain hose area marked "clamp." Release clamp. Clamp should be 1/4 inch from end of drain hose.

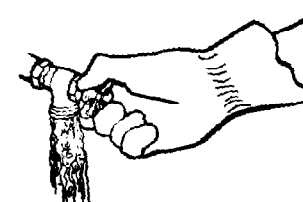
18. Standpipe or laundry tub drain system:

Open yellow clamp and slide over "hook" end of drain hose to secure the rigid and corrugated sections together.

Floor drain system: Do **Not** install "hook" end of drain hose to corrugated section. Consult your plumber for proper installation.



20. Put "hook" end of drain hose into laundry tub or standpipe. Check for proper length of drain hose.

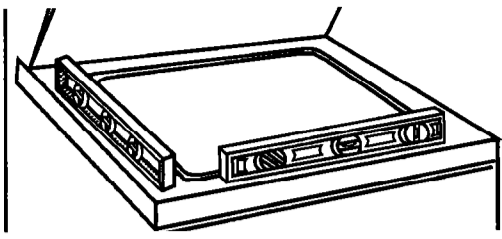


21. Before attaching water inlet hoses, run water through both faucets into a bucket. This will get rid of particles in water lines that might clog hoses. Mark which is the hot water faucet.

22. Attach bottom inlet hose (inlet marked "H") to hot water faucet. Attach top inlet hose (inlet marked "C") to cold water faucet. Tighten couplings to the faucets by hand. Use pliers to make final two-thirds turn.

Panel E

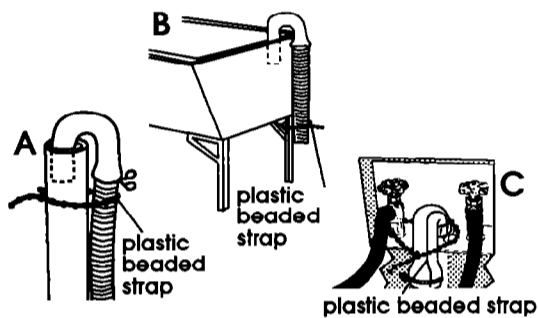
Move washer/dryer to its permanent location. Remove cardboard/hardboard from under washer/dryer.



23. Carefully move the washer/dryer into final position.

- Tilt the washer/dryer forward, raising back legs 1 inch off the floor so that the rear self-leveling legs will adjust. Gently lower the washer/dryer to the floor.
- Check that the washer/dryer is level by placing a carpenter's level on top of the washer, first side to side, then front to back.
 - If it is not level, adjust the front legs up or down.
 - Tilt the washer/dryer forward, raising back legs 1 inch off the floor so that the rear self-leveling legs will adjust. Gently lower the washer/dryer to the floor.
 - Check that the washer/dryer is level. Repeat as needed.

CHECK THAT DRAIN HOSE IS NOT TWISTED OR KINKED AND IS SECURELY IN PLACE.

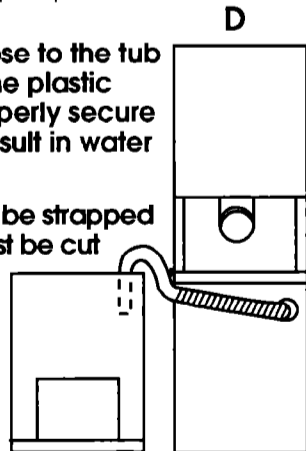


24. Put "hook" end of drain hose in laundry tub or standpipe. Wrap the plastic beaded strap around the drain hose and laundry tub or standpipe. Thread beaded end of strap through keyhole end. Pull until strap is tight. Slide strap into narrow end of keyhole to lock strap in place. See Figures A-B.

If the water inlet faucets and drain standpipe are recessed, tightly wrap the plastic beaded strap around the drain hose and faucet body. (Do Not wrap strap around the faucet handles or stems.) Thread beaded end of strap through keyhole end. Pull until strap is tight. Slide strap into narrow end of keyhole to lock strap in place. See Figure C.

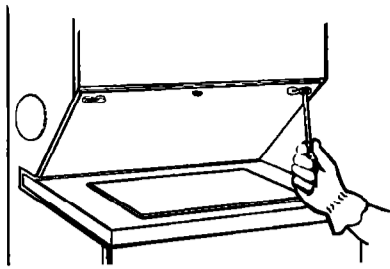
Secure the drain hose to the tub or standpipe with the plastic strap. Failure to properly secure drain hose could result in water damage.

If drain hose cannot be strapped into place, hose must be cut exactly to length so "hook" end is held tightly over edge of tub or standpipe. Figure D.



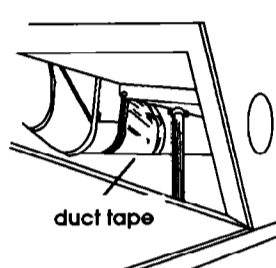
If a longer drain hose is needed, drain hose (Part No. 388423) and hose extension kit (Part No. 285442) are available from your authorized parts distributor. If drain hose must be shortened, use hose kit (Part No. 285442).

Note: If washer/dryer is moved to adjust drain hose, the washer/dryer must be leveled again. Repeat Step 23. Place cardboard under the washer/dryer and carefully move washer/dryer to avoid damaging floor covering.



25. If you did not remove the access panel in Step 19, remove the two foam shipping pieces between the washer and dryer and place with the other shipping pieces. If the exhaust duct cannot be connected from the side of the washer/dryer, the exhaust duct can be reached from the front through the access panel. Remove the two Phillips-head screws located at the top of the access panel. Set access panel and screws aside.

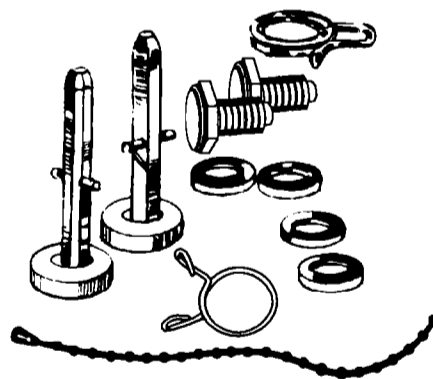
26. Determine the length of exhaust duct that is needed to connect the dryer to the exhaust hood. (See "Exhaust requirements," Panels C and D.)



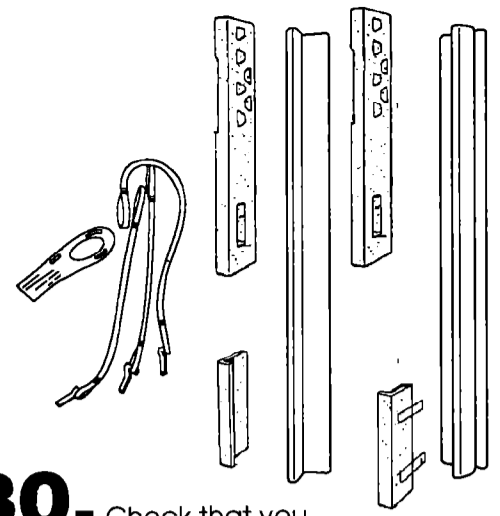
27. Connect exhaust duct to washer/dryer and then to the exhaust hood.

- Use the straightest path possible to avoid 90° turns.
- Use duct tape to seal all joints in the exhaust system.
- Use caulking compound to seal exterior wall opening around exhaust hood.

28. **CHECK ELECTRICAL REQUIREMENTS. BE SURE YOU HAVE CORRECT ELECTRICAL SUPPLY AND RECOMMENDED GROUNDING METHOD.** Check the Installation Instructions to see that you have completed each step. Complete any missed steps before you continue.

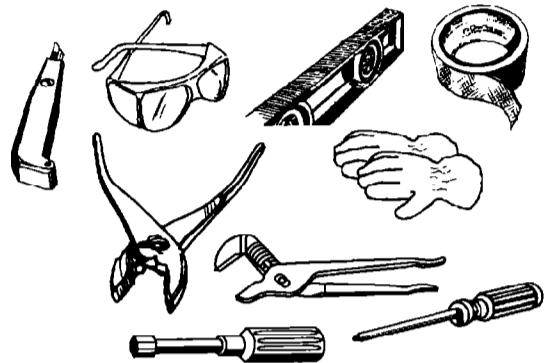


29. Check that all parts are now installed. See parts list, Panel D. If there is an extra part, go back through steps to see which step was skipped.



30. Check that you removed all the shipping pieces, including the three shipping straps with keys. Dispose of all materials in proper manner.

If you do not remove all three shipping straps, your washer/dryer may "walk" away from its location.



31. Check that you have all of your tools.

32. Turn on water faucets and check for leaks. Tighten couplings if there is leaking. **Do Not overtighten;** this could cause damage to faucets.

33. Replace access panel. Be sure to tighten screws at each end of the access panel.

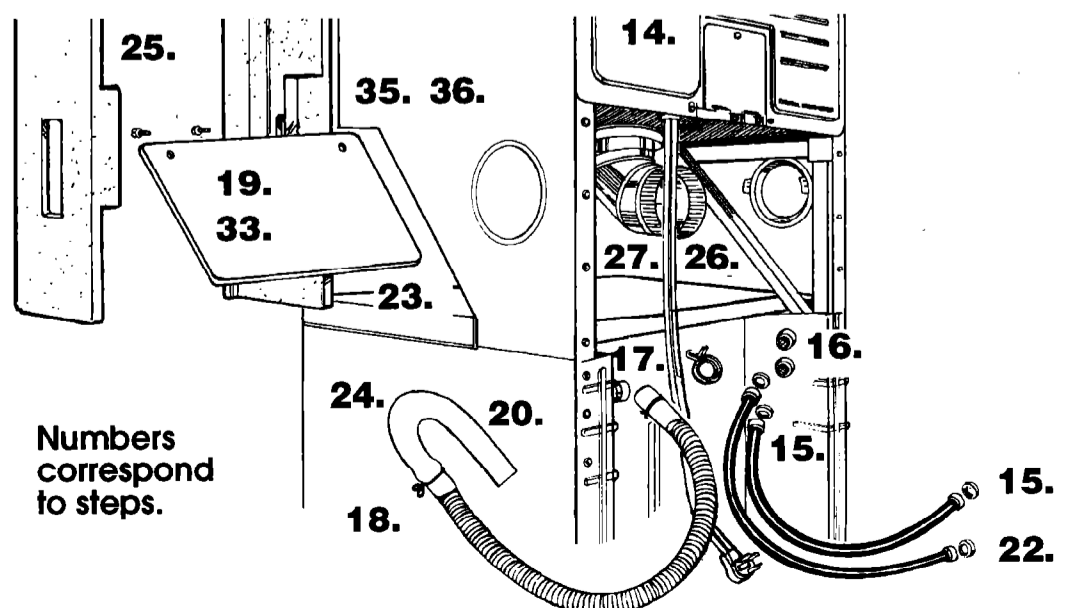
34. Read the Use and Care Guide to fully understand your new washer/dryer. Open dryer door. Check to be sure lint screen is in its proper position. Wipe out drum.

35. Plug power supply cord into grounded outlet. Reconnect the power supply. Now start the washer and allow it to complete the regular cycle.

36. Start dryer and allow it to complete a full heat cycle to make sure it is working properly.

Congratulations!


You have successfully installed your new washer/dryer. To get the most efficient use from your new washer/dryer, read your Use and Care Guide. Keep Installation Instructions and Guide.



Numbers correspond to steps.

Recessed and closet installation instructions

! WARNING



Fire Hazard

It is recommended that the washer/dryer be exhausted to the outside. If washer/dryer is installed in a closet, the dryer MUST be exhausted outside. Failure to do so may result in a fire.

TO PREVENT LARGE AMOUNTS OF LINT AND MOISTURE FROM ACCUMULATING, TO MAINTAIN DRYING EFFICIENCY AND TO PREVENT EXPOSURE TO POSSIBLE HEALTH HAZARDS, THIS WASHER/DRYER SHOULD BE EXHAUSTED OUTDOORS.

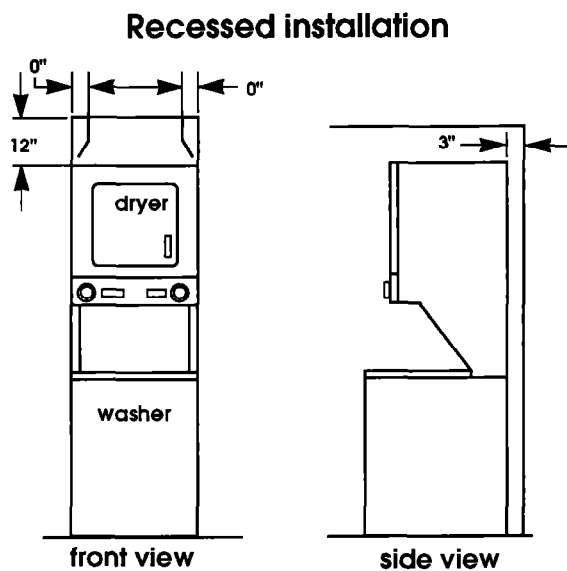
This washer/dryer may be installed in a recessed area or closet.

The installation spacing is in inches and is minimum allowable. Additional spacing should be considered for ease of installation, servicing and compliance with local codes and ordinances.

If closet door is installed, the minimum unobstructed air openings in top and bottom are required. Louvered doors with equivalent air openings are acceptable. Closet installation must be exhausted.

Other installations must use the minimum dimensions indicated.

Recessed and closet installation instructions

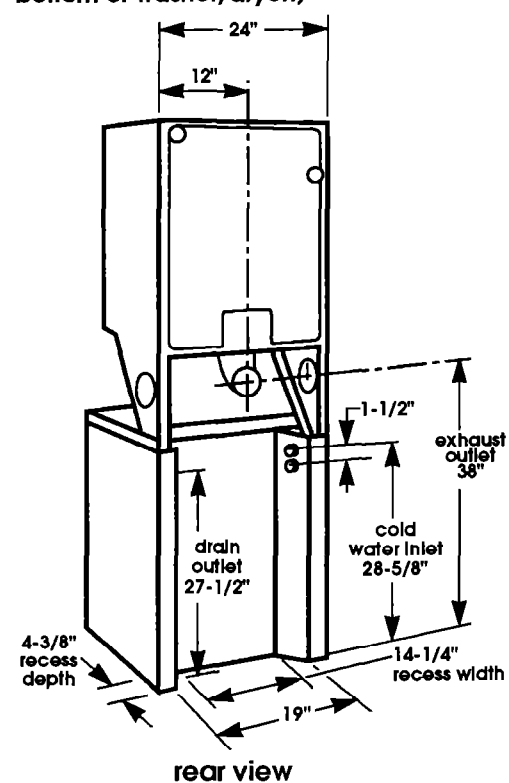


Minimum Installation spacing

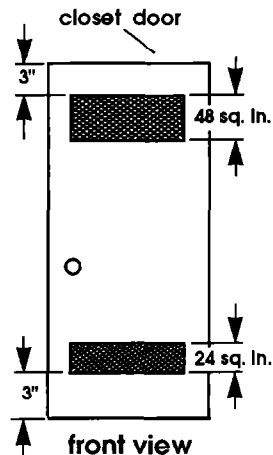
Note: If recessed installation is exhausted, all spacing can be 0 in. Additional clearance for wall, door and floor molding may be required.

Product dimensions

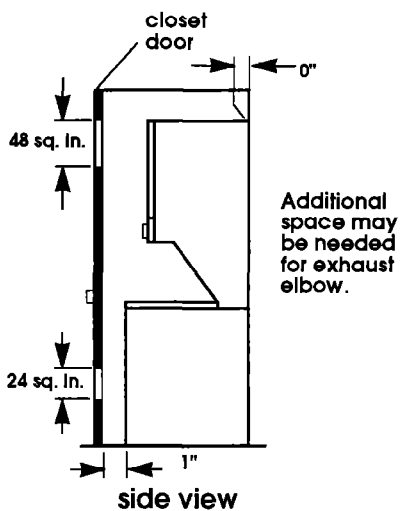
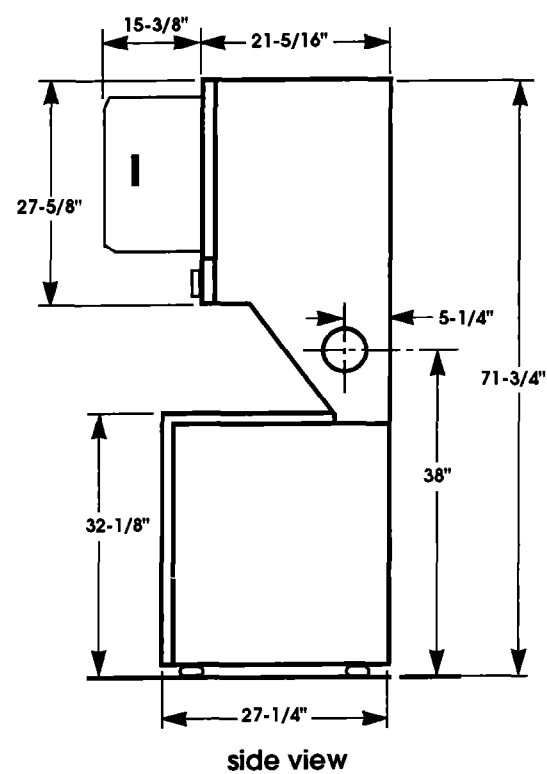
(Shown with legs extended 1 inch from bottom of washer/dryer.)



Closet installation



Unobstructed air openings are minimum for closet door. Louvered door with equivalent air openings is acceptable.



Closet installation must be exhausted outdoors.

Recessed, non-exhausted installation must use only the rear exhaust position and Exhaust Deflector Kit No. 4500 is required.

If washer/dryer does not operate...

Check the following to be sure that:

1. Electrical supply is connected.
2. House fuse or circuit breaker is intact and tight.
3. Washer lid or dryer door is closed.
4. Controls are set in a running or "ON" position.
5. Dryer start button has been firmly pushed.
6. Three shipping straps have been completely removed.

When moving the washer/dryer...

- Disconnect the power supply cord, then tape securely to the washer/dryer.
- Tape the drum to the front panel. Tape the lint screen in place. Tape the dryer door closed.
- Wedge a blanket between the laundry tub ring and cabinet top to restrict tub movement.
- Turn front leveling legs all the way in.

If you need assistance...

Check your Use and Care Guide for a toll-free number to call, or call the dealer from whom you purchased this appliance. The dealer is listed in the Yellow Pages of your phone directory under "Appliances — Household — Major — Service and Repair."

When you call, you will need the washer/dryer model number and serial number. Both numbers can be found on the model/serial rating plate located behind the dryer door on the dryer door well.

Free Manuals Download Website

<http://myh66.com>

<http://usermanuals.us>

<http://www.somanuals.com>

<http://www.4manuals.cc>

<http://www.manual-lib.com>

<http://www.404manual.com>

<http://www.luxmanual.com>

<http://aubethermostatmanual.com>

Golf course search by state

<http://golfingnear.com>

Email search by domain

<http://emailbydomain.com>

Auto manuals search

<http://auto.somanuals.com>

TV manuals search

<http://tv.somanuals.com>