

COMMERCIAL STACK DRYERS

Featuring Mechanical Controls



SECURITY

New Dual Torx® Security Bolt and Pin Combination secures your investment by prohibiting the separation of dryers.



Solid Doors,
Order Kit #4396720



CSP2760TQ — 27" Electric Stack Dryer CSP2761TQ — 27" Gas Stack Dryer with Dual Metercase

Machine Accepts the Following Payment Systems (not included):

- Coin Slide
- Retrofit Coin Drop
- Retrofit Card Reader
- OPL Push-To-Start Kit (No Coins Needed)

- Stacked Unit Gives You Double Drying Capacity in Limited Space
- Large 7.4 Cu. Ft. Capacity per Drum
- Push Button Controls
- 3 Cycles: Regular/Heavy (High Heat), Permanent Press (Medium Heat), and Knits/Delicates (Low Heat)
- Fabric Protection Cool-Down Care
- Balanced Airflow System
- 180° Wide-Opening Side-Swing Door
- Front-Service Accessibility
- 4-Way, Multi-Vent Options (Back, Bottom, and Sides) (Lower Dryer Only)
- Improved Metercase
- White Cabinet with Stainless-Look Console

OPL Push to Start Kit for Non-Coin Operation— Order Part #4396490 Kit Includes 2 OPL's & Control Panel Lock

- Mechanical Dual Metercase Money Acceptors Not Included: 2 Required
- Large Glass Doors Standard, for Solid Doors Order Door Kit 4396720
- Powdered Paint Top and Cabinet, Removable In-Door Lint Filters, T40 Torx and Pin Security Kit Included
- Gas Model: (2) 22K BTU Burners
- Electric Model: (2) Elements rated at 5600 Watts and 240-Volt, (2) 30 Amps Circuit Breakers Required
- 2 Motors: 1/3-HP with Built-In Overload Protector; Centrifugal Switch Turns Off Heating Element When Motor Stops
- Easy-to-Follow Console Instructions
- Gas Models: order 2 LP conversion kits, part #49572
- Electric Models require 2 power cords, sold separately
- **3 Year Limited Parts Only Warranty***
- **Money Acceptors Sold Separately**

*Call 1-800-NO-BELTS for warranty details

WHIRLPOOL BRAND COMMERCIAL DRYERS



IMPROVED AIRFLOW SYSTEM

Whirlpool® commercial dryers have a new Blower Housing Wave Insert to increase air velocity up to 10%. This increases efficiency, heating element lifespan, and improves fabric care.*

*Results per Whirlpool dryer testing conducted 7/03-8/04

THERMOSTAT

Single operating thermostat for simple accurate temperature control.

LARGE CAPACITY METERCASE

Larger coinbox for reduced collections. Accepts coin slides, coin drops and card readers.



LARGE LINT FILTER

Pull-out, 84 square inch lint filter.

FLEXIBILITY

New strengthened control panel collar features the same large capacity coinbox and removable money acceptor adapter plate as our freestanding models.

POWDERED PAINT FINISH

Powdered paint finish resists rust, chipping and scratching.

1/3-HP MOTOR

1/3-HP motor with overload protection.



FRONT PANEL LOCK & KEY

Front Panel Lock & Key Sold Separately, Order Part #4396668.

3-WAY VENTING (UPPER DRYER)

3-Way venting from back and side.

4-WAY VENTING (LOWER DRYER)

4 Way-venting from left or right side, back or bottom.

COMMERCIAL STACK DRYER SPECIFICATIONS

STACK DRYER SPECIFICATIONS

MODEL NUMBER	CSP2760TQ***	CSP2761TQ**
GENERAL INFORMATION Stainless Steel Look Push Button console, powdered paint cabinet, improved collar assembly featuring cam lock console, taller profile and improved security meter case integral with collar, 2 coinbox and money acceptor openings, T40 Torx & Pin security included, removable indoor lint filters. Upper and lower dryers may use different money acceptors at the same time. 3 way venting upper dryer, 4 way lower.	Dual Metercase Accepts the Following Payment Systems: Coin Slide Retrofit Coin Drop Retrofit Card Reader OPL Push-to-Start	Dual Metercase Accepts the Following Payment Systems: Coin Slide Retrofit Coin Drop Retrofit Card Reader OPL Push-to-Start
ELECTRICAL REQUIREMENTS (2 connections required per stack unit)	3 or 4-Wire Nominal 240/208-Volt, 60 Hz, A.C. Standard 30 Amps Breaker/Fuse Branch Circuit per Dryer Drum (Subject to Local Codes)	Nominal, 120-Volt, 60Hz., A.C. 15 Amp Breaker/Fuse Branch Circuit per Dryer Drum
MOTOR	Two 1/3-HP Motors with Built-In Overload Protector 5.9 Amps Max Rating	Two 1/3-HP Motors with Built-In Overload Protector 5.9 Amps Max Rating
HEATER TYPE	ELECTRIC	GAS*
HEATER/BURNER RATING (Add 500 watts approx. for motor on all dryer models)	2 Electric Heaters Rated at 5600 Watts per Dryer (11.2 KW Total)	2 Burner Assemblies Rated at 22,000 BTU per Dryer (44 KBTU Total) Natural Gas
AMPERAGE (Does not include control or gas valve)	Motor— 4.0 Amps No Load per Motor 8 Amps Total Heater 23.33 Amps @ 240V x 2, 54.66 Total	Motor— 4.0 Amps No Load per Motor 8 Amps Total
DIMENSIONS	76.75" H, 27" W, 28.5" D	76.75" H*, 27" W, 28.5" D
SHIPPING WEIGHT (EST.)	294 Lbs.	300 Lbs.
DRUM VOLUME	14.8 Cu. Ft. (7.4 Cu. Ft. per Drum)	14.8 Cu. Ft. (7.4 Cu. Ft. per Drum)

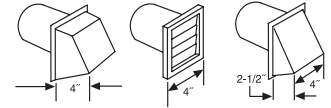
* Burner orifices are available for manufactured, natural, mixed and LP gas with varying BTU ratings

** LP Conversion Kit: 49572 (Two per stack dryer required)

*** Power cords on electric models sold separately

EXHAUST INFORMATION

All dryers require the equivalent of a 4-inch diameter exhaust duct. Rigid metal duct is recommended. Failure to properly exhaust the dryer will result in improper operation.

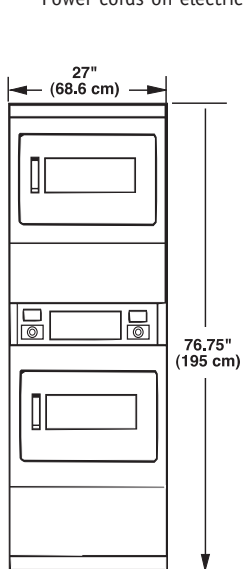


27" & 29" Dryer Venting Requirements

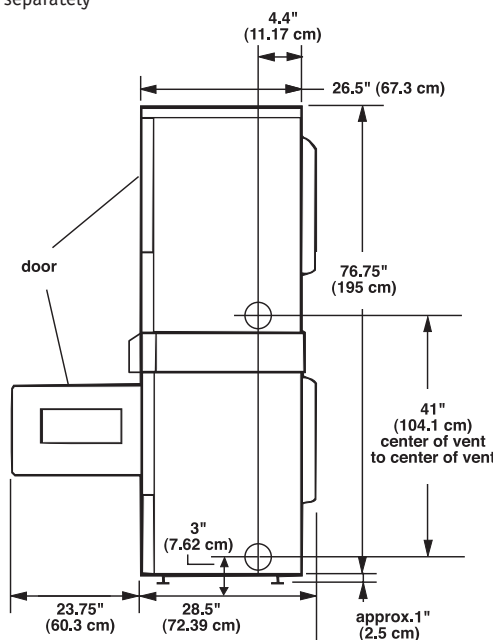
# of 90° Turns	4" Hood	2 1/2" Hood
Maximum Length of 4" Diameter Rigid Metal Duct		
0	64 Ft.	58 Ft.
1	54 Ft.	48 Ft.
2	44 Ft.	38 Ft.
3	35 Ft.	29 Ft.
4	27 Ft.	21 Ft.

# of 90° Turns	4" Hood	2 1/2" Hood
Maximum Length of 4" Diameter Flexible Metal Duct		
0	36 Ft.	28 Ft.
1	31 Ft.	23 Ft.
2	27 Ft.	19 Ft.
3	25 Ft.	17 Ft.
4	23 Ft.	15 Ft.

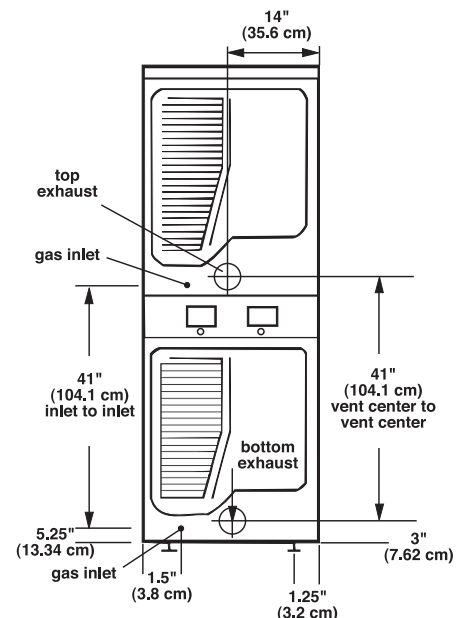
Dimensions are for planning purposes only. For complete information, see installation instructions packed with product.



STACK DRYER
FRONT VIEW



STACK DRYER
RIGHT/LEFT VIEW



STACK DRYER
BACK VIEW

Free Manuals Download Website

<http://myh66.com>

<http://usermanuals.us>

<http://www.somanuals.com>

<http://www.4manuals.cc>

<http://www.manual-lib.com>

<http://www.404manual.com>

<http://www.luxmanual.com>

<http://aubethermostatmanual.com>

Golf course search by state

<http://golfingnear.com>

Email search by domain

<http://emailbydomain.com>

Auto manuals search

<http://auto.somanuals.com>

TV manuals search

<http://tv.somanuals.com>