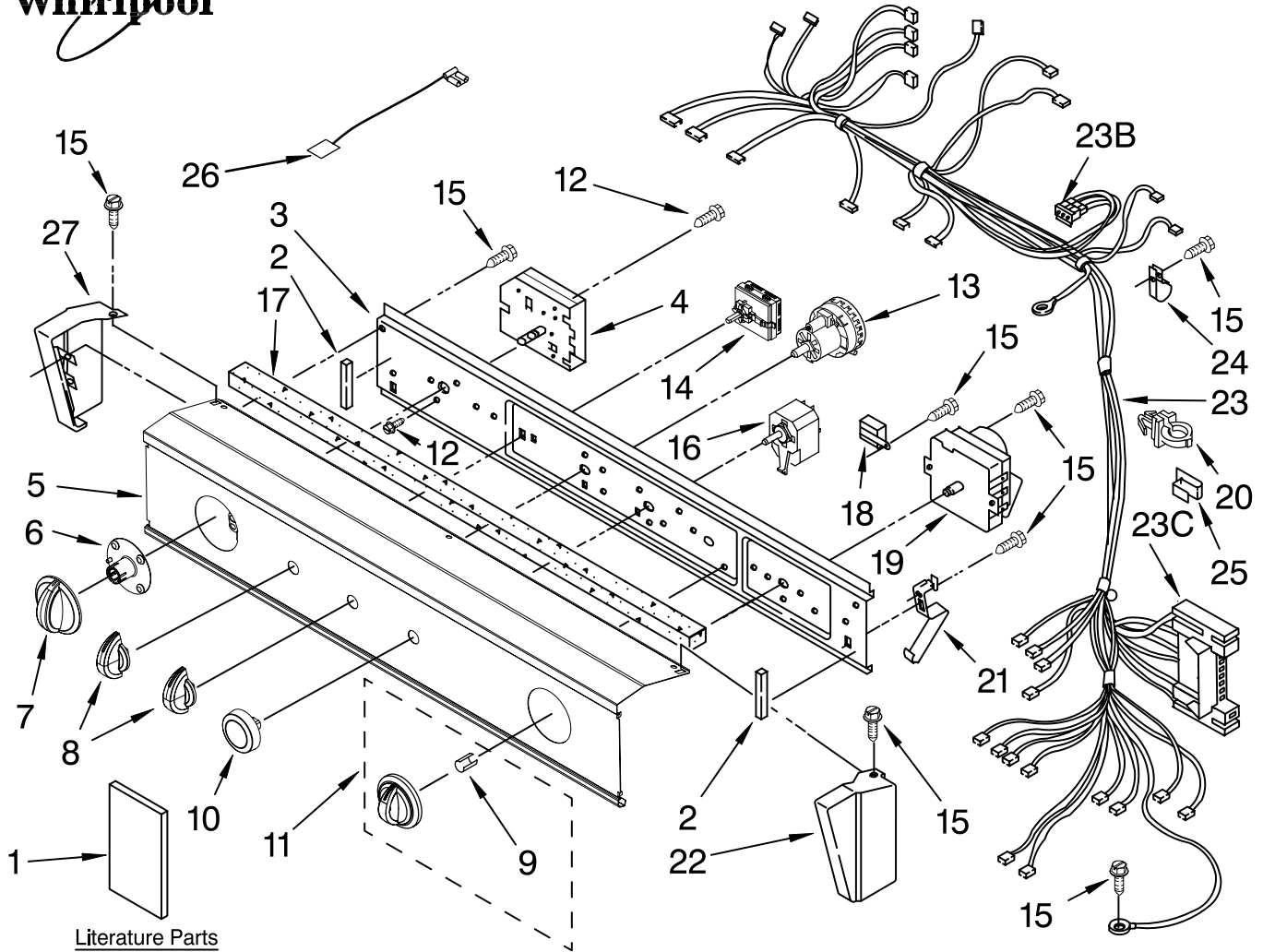


WASHER/DRYER CONTROL PANEL PARTS

For Model: WGT3300SQ
(Designer White)

WASHER/DRYER
LAUNDRY SYSTEM



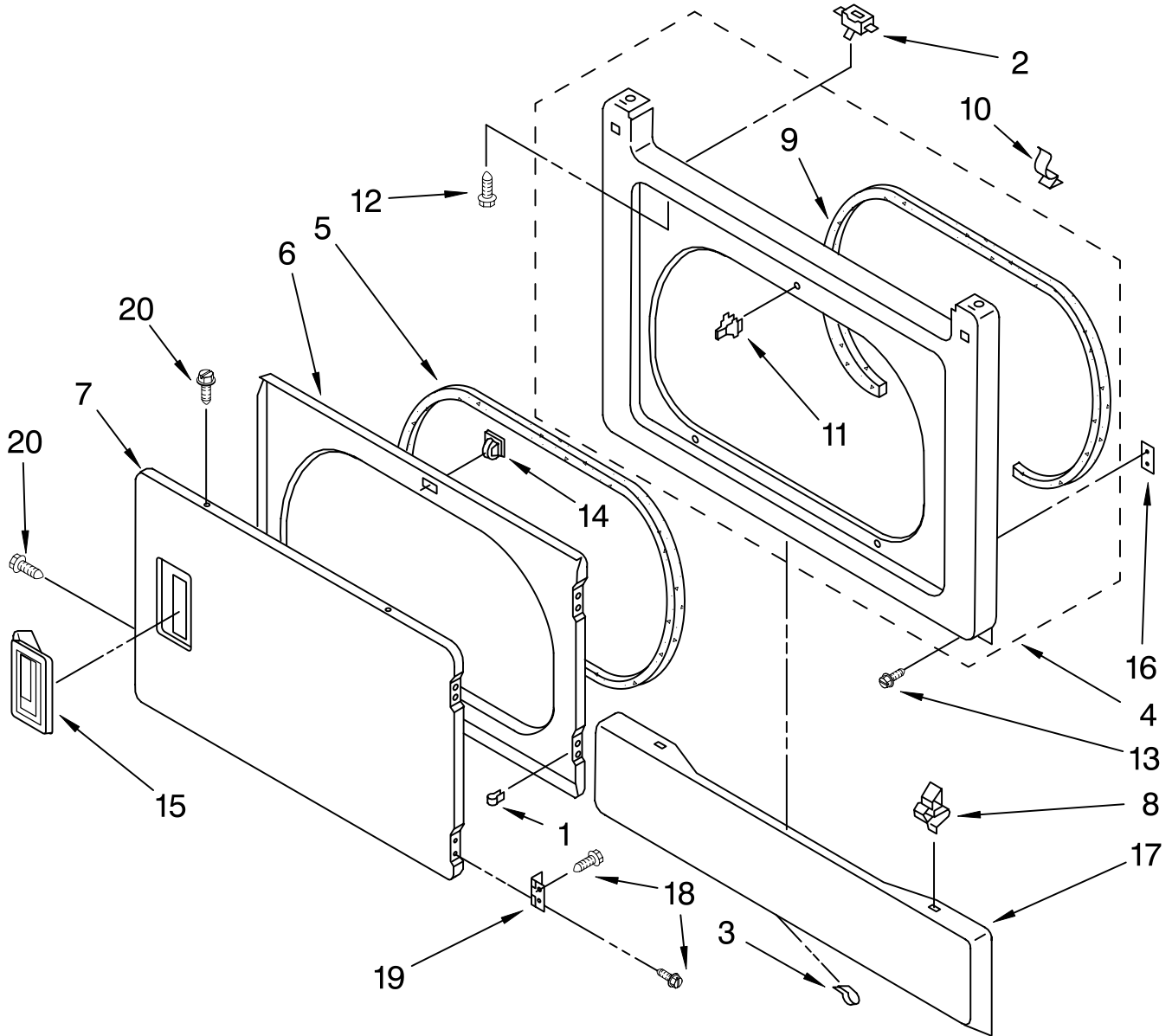
Literature Parts

Illus. No.	Part No.	DESCRIPTION	Illus. No.	Part No.	DESCRIPTION	Illus. No.	Part No.	DESCRIPTION
1	W10118290	Literature Parts Installation Instructions	7	8566022	Knob, Timer (Washer)	16	3404233	Switch, Push-To-Start
	8578179	Use & Care Guide	8	8565944	Knob, Control (2)	17	8521965	Gasket-Console
	W10118304	Sheet, Cycle Feature	9	8536939	Spring-Clip Knob	18	694419	Buzzer, Mini
	W10113806	Wiring Diagram	10	8566073	Knob, Push-To-Start	19	W10113804	Timer, Dryer
	W10127620	Energy Guide	11	8566061	Knob, Timer (Dryer)	20	2219077	Clip, Harness
2	3390688	Spacer-Foam Pad (2)	12	3400808	Screw, 10-32 x 5/16	21	3389453	Bracket, Hinge (2)
3	8528583	Bracket, Control (Includes Illus. 2)	13	W10112533	Switch, Pressure	22	3389456	End Cap (RH)
4	W10113761	Timer, Washer	14	W10114118	Switch, Temperature	23	W10121646	Harness - Dryer
5	W10114898	Panel, Control	15	90767	Screw, 8-18 x 3/8	23B	2154470	Receptacle
6	8566018	Dial, (Washer)				23C	3395683	Connector, (Motor-Dryer)
						24	3390604	Clamp, Harness
						25	3390422	Clip, Harness (2)
						26	W10121648	Jumper Wire (Buzzer-Timer)
						27	3389464	End Cap (LH)

FOR ORDERING INFORMATION REFER TO PARTS PRICE LIST

DRYER FRONT PANEL AND DOOR PARTS

For Model: WGT3300SQ0
(Designer White)

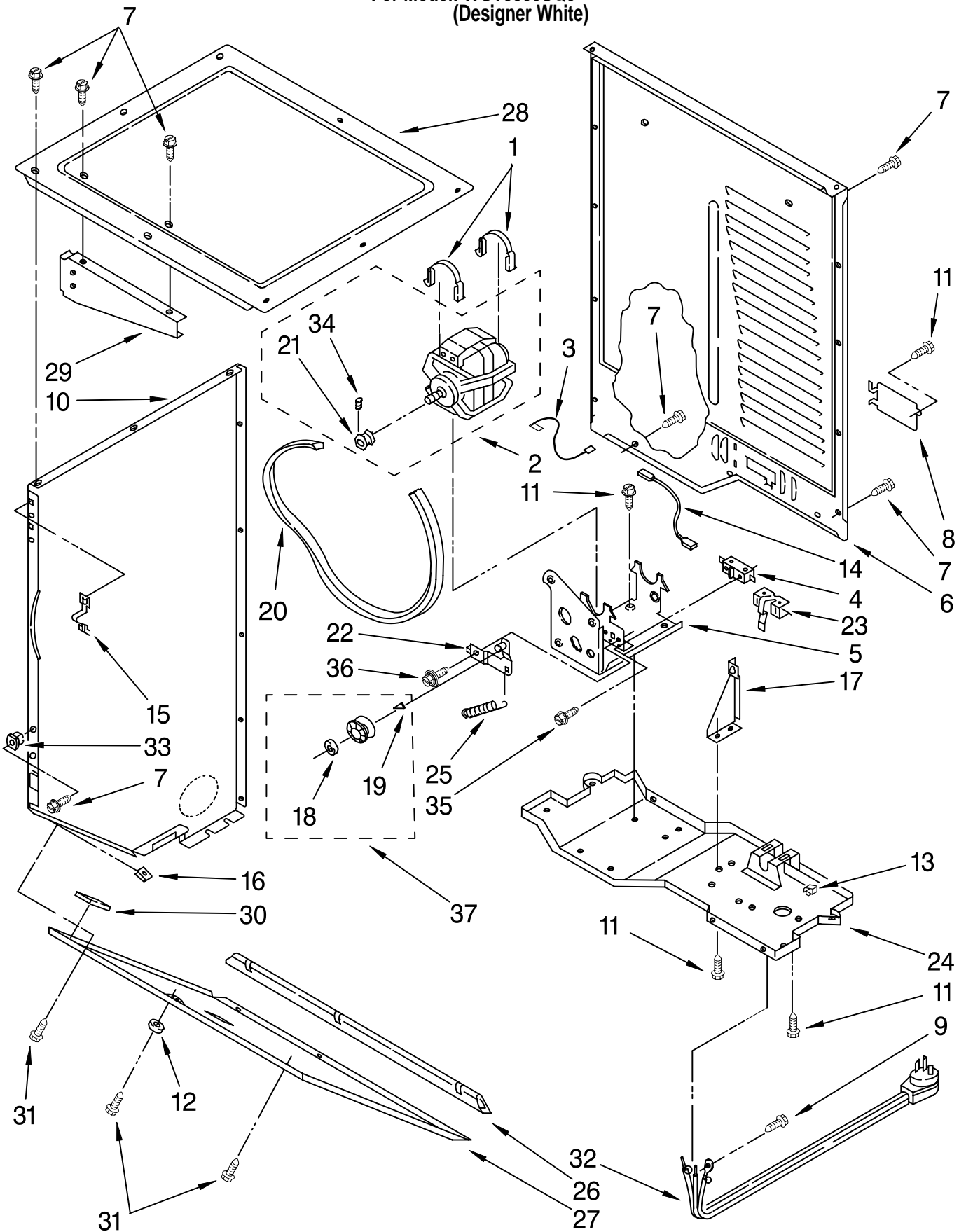


Illus. No.	Part No.	DESCRIPTION	Illus. No.	Part No.	DESCRIPTION	Illus. No.	Part No.	DESCRIPTION
1	3389249	Nut, Push (4)	9	3387242	Bearing & Seal	14	3392538	Catch, Door
2	3391901	Switch, Door	10	3392602	Clip, Harness	15	W10095180	Handle, Door
3	98234	Clip, Ground	11	696144	Strike, Panel	16	3390902	Clip, Door Hinge (2)
4	3392547	Panel, Front	12	697773	Screw, Door Switch	17	3388958	Panel, Toe
5	3390735	Seal, Door				18	342055	Screw, 8-18 x 1/2
6	3392563	Door, Rear	13	3393008	Screw, 10-16 x 1/2	19	3389247	Hinge & Pin, Door (2)
7	3387872	Door, Front				20	694091	Screw, 8-18 x 3/8
8	3388229	Retainer, Toe Panel (2)						

FOR ORDERING INFORMATION REFER TO PARTS PRICE LIST

DRYER CABINET AND MOTOR PARTS

For Model: WGT3300SQO
(Designer White)



FOR ORDERING INFORMATION REFER TO PARTS PRICE LIST

DRYER CABINET AND MOTOR PARTS

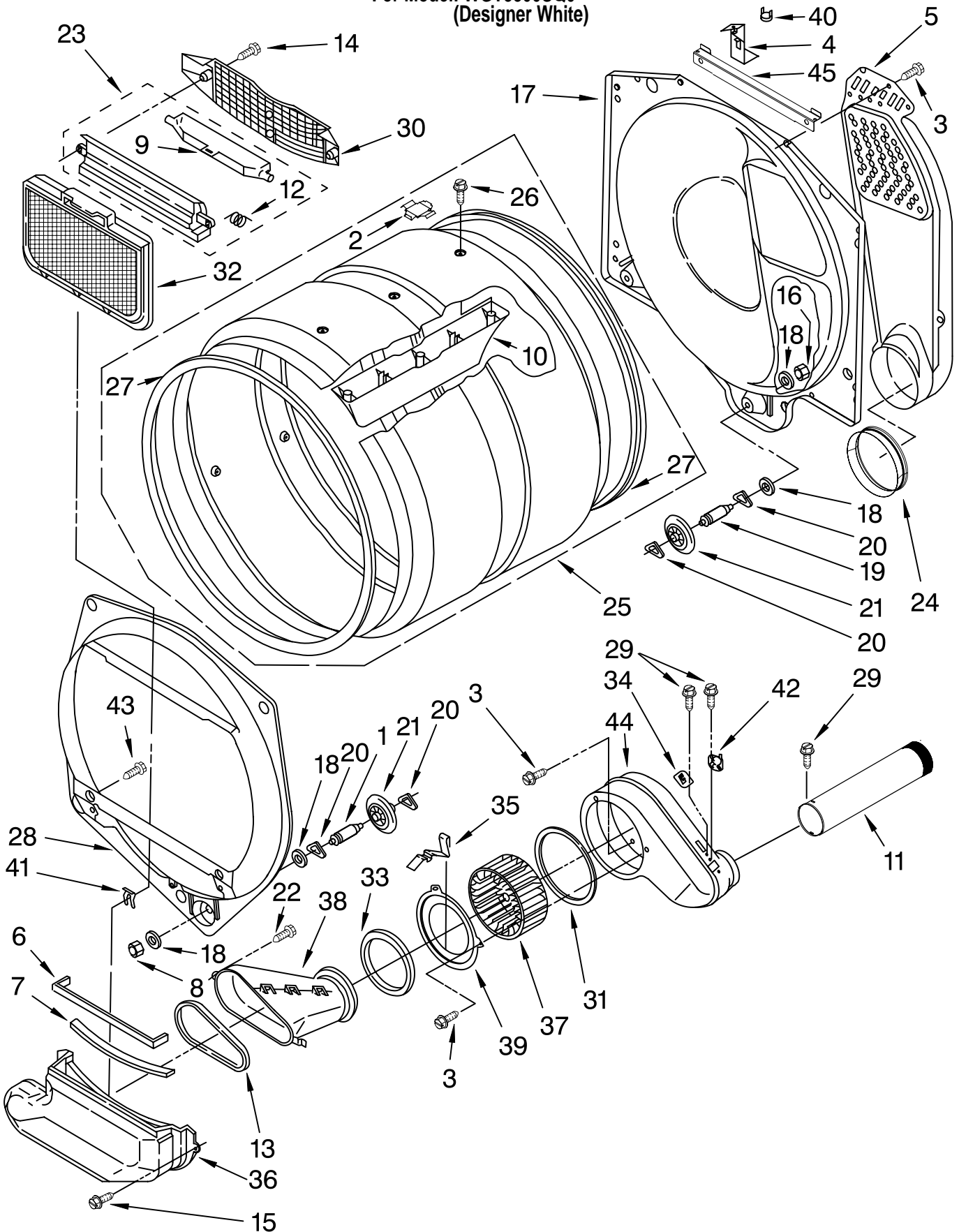
For Model: WGT3300SQ0
(Designer White)

Illus. No.	Part No.	DESCRIPTION	Illus. No.	Part No.	DESCRIPTION	Illus. No.	Part No.	DESCRIPTION
1	660658	Clamp, Motor Mounting (2)	12	3389431	Bumper, Lid Stop	24	3391668	Base, Dryer
2	8538266	Motor, Main Drive (60 Hz.)	13	697438	Clip	25	3387374	Spring, Idler
3	3398948	Wire, Jumper	14	3394081	Wire, Broken Belt Switch	26	3389683	Cove, Transition Panel (Black)
4	3394881	Switch, Broken Belt	15	3389231	Clip, Front Panel (2)	27	3389272	Panel, Transition
5	3388858	Bracket, Motor	16	98234	Clip, Ground	28	3389537	Top, Dryer
6	3389847	Panel, Rear	17	3391639	Bracket, Bulkhead	29	3390722	Shield, Console To Drum
7	343641	Screw, 10-16 x 1/2	18	690997	Washer, Thrust	30	3389682	Spacer (2)
8	3387673	Cover, Terminal Block	19	690997	Tri-Ring	31	693304	Screw & Washer
9	8533971	Screw, Ground (8-18 x 3/8)	20	3387610	Belt, Drive	32	694018	Cord, Power
10	3389264	Panel, Side (L.H.)	21	3391087	Pulley, Motor (60 Hz.)	33	692400	Nut, Push-In
	3389256	Panel, Side (R.H.)	22	3389332	Bracket, Idler	34	3394743	Pin, Roll
11	3390631	Screw, 10-16 x 3/8	23	8066120	Lever-Snap Switch	35	98129	Screw, 6-20 x 1
						36	3389420	Bolt, Shoulder
						37	3388672	Pulley, Idler

FOR ORDERING INFORMATION REFER TO PARTS PRICE LIST

DRYER BULKHEAD PARTS

For Model: WGT3300SQ0
(Designer White)



FOR ORDERING INFORMATION REFER TO PARTS PRICE LIST

DRYER BULKHEAD PARTS

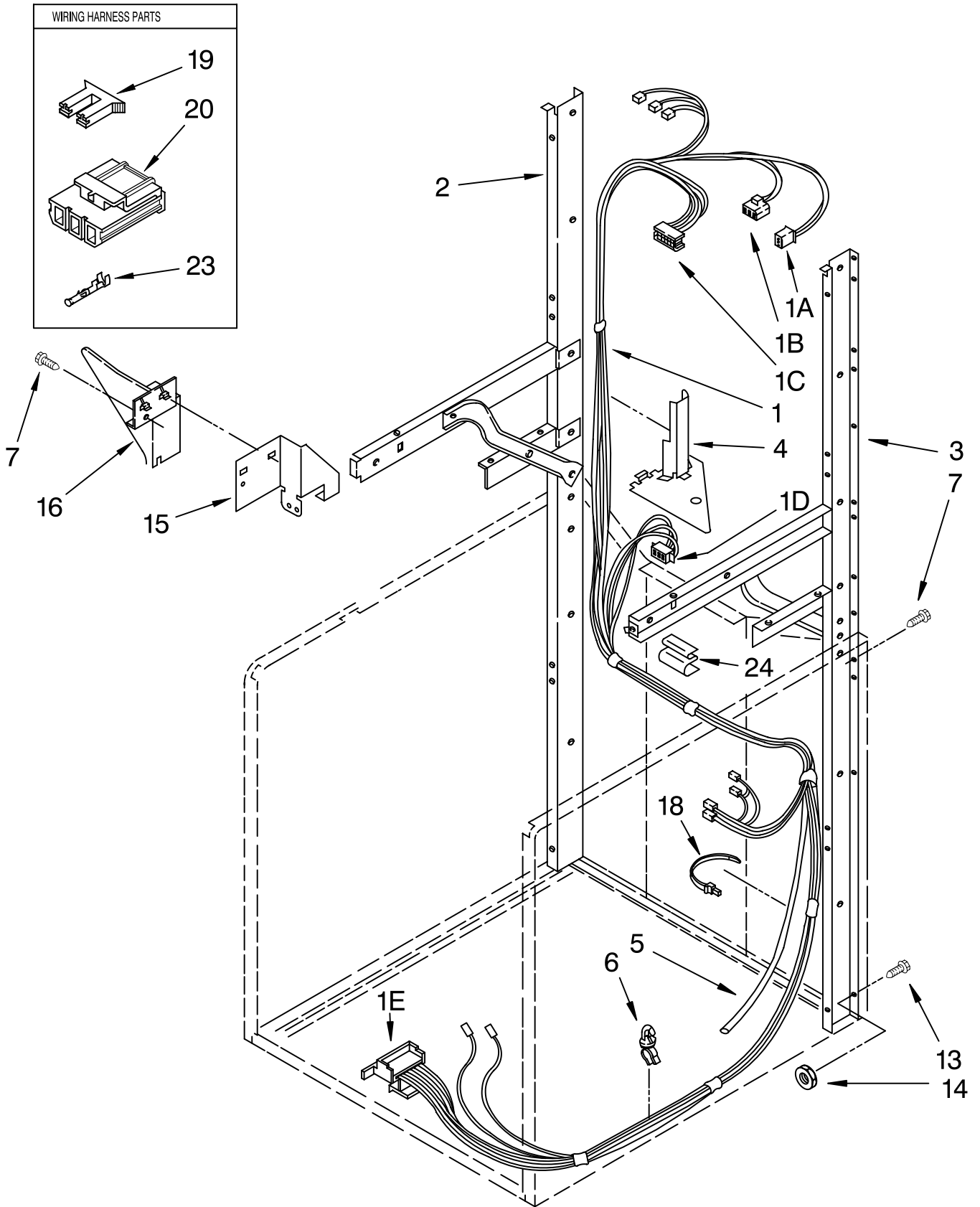
For Model: WGT3300SQ
(Designer White)

Illus. No.	Part No.	DESCRIPTION	Illus. No.	Part No.	DESCRIPTION	Illus. No.	Part No.	DESCRIPTION
1	8575324	Shaft, Roller	17	3387809	Bulkhead, Rear	36	3388909	Lint Duct Assembly
2	8066086	Plug, Drum Hole	18	3387459	Washer, Support			(Includes Illus. 7 & 13)
3	343641	Screw, 10-16 x 1/2	19	8575325	Shaft, L.H. Thread	37	697772	Wheel, Blower
4	3392226	Clip, Thermostat	20	690997	Tri- Ring	38	3389445	Duct, Transition
5	3392157	Air Duct Assembly	21	8536973	Support, Roller			(Includes Illus. 33)
6	697813	Seal, Outlet Housing	22	3387230	Screw, 10-16 x 3/4	39	697366	Plate, Blower
7	3391906	Seal, Lint Duct	23	3394985	Housing, Outlet	40	3388697	Fixed, Thermostat (205°F)
8	3934666	Nut	24	3387910	Colar-Air Duct	41	694415	Clip, Strain Relief
9	3394984	Door, Lint Screen	25	3389448	Assembly, Drum	42	3387134	Thermostat, Internal-Bias
10	3389449	Baffle, Drum (3)	26	W10109200	Screw, 11-16 x 3/4	43	695240	Screw, 8-18 x 1/2
11	8563748	Pipe, Exhaust	27	697694	Seal, Drum	44	8544363	Housing, Blower
12	3394986	Spring, Lint Screen Door	28	697557	Bulkhead, Front	45	8571651	Bracket-Bulkhead (Upper)
13	3391685	Seal, Transition Duct To Lint Duct	29	8533971	Screw, 8-18 x 1/2			
14	3357011	Screw, 10-16 x 1/2	30	8299979	Grille, Outlet			
15	3390647	Screw, 8-18 x 1/2	31	697770	Seal, Cover Plate			
16	W10001120	Nut, Hex (2)	32	3389644	Screen, Lint			
			33	8566209	Seal, Transition Duct			
			34	3403607	Thermal-Limiter			
			35	3390935	Clip, Duct Locator			

FOR ORDERING INFORMATION REFER TO PARTS PRICE LIST

DRYER SUPPORT AND WASHER HARNESS PARTS

For Model: WGT3300SQ0
(Designer White)



FOR ORDERING INFORMATION REFER TO PARTS PRICE LIST

DRYER SUPPORT AND WASHER HARNESS PARTS

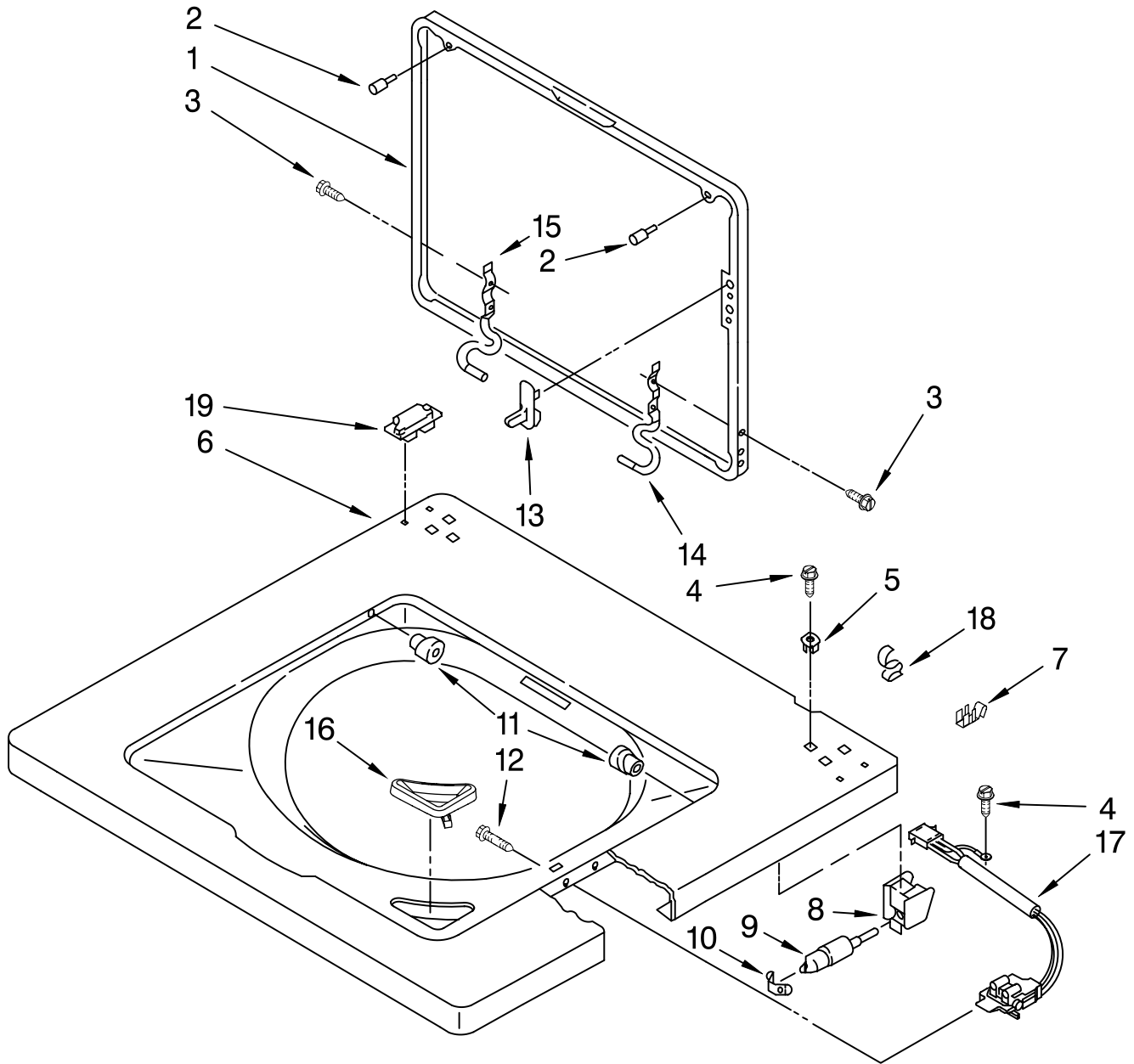
For Model: WGT3300SQ0
(Designer White)

Illus. No.	Part No.	DESCRIPTION
1	W10114956	Harness – Washer
1A	3350130	Plug, 3 Way
1B	3347243	Connector, 5 Way
1C	352089	Block, Disconnect – Timer
1D	3350211	Receptacle, 3 Way
1E	62505	Block, Disconnect
2	3388851	Channel Assembly (Left hand Side)
3	3388850	Channel Assembly (Right Hand Side)
4	3390609	Shield, Harness
5	8545438	Hose, Pressure Switch
6	8281256	Clip, Harness
7	343641	Screw, 10–16 x 1/2
13	3400300	Bolt, 5/16–18 x 1/2
14	3393930	Nut, Hex (4)
15	3392232	Shield, Front
16	3390336	Shield, Thermostat
18	3391249	Clip, Harness (2)
19	3354925	Connector, H–Pod
20	3360056	Connector, Pressure Switch
23		Terminal, 94613 Male 94614 Female
24	63523	Protector, Harness

FOR ORDERING INFORMATION REFER TO PARTS PRICE LIST

WASHER TOP AND LID PARTS

For Model: WGT3300SQ0
(Designer White)



FOR ORDERING INFORMATION REFER TO PARTS PRICE LIST

WASHER TOP AND LID PARTS

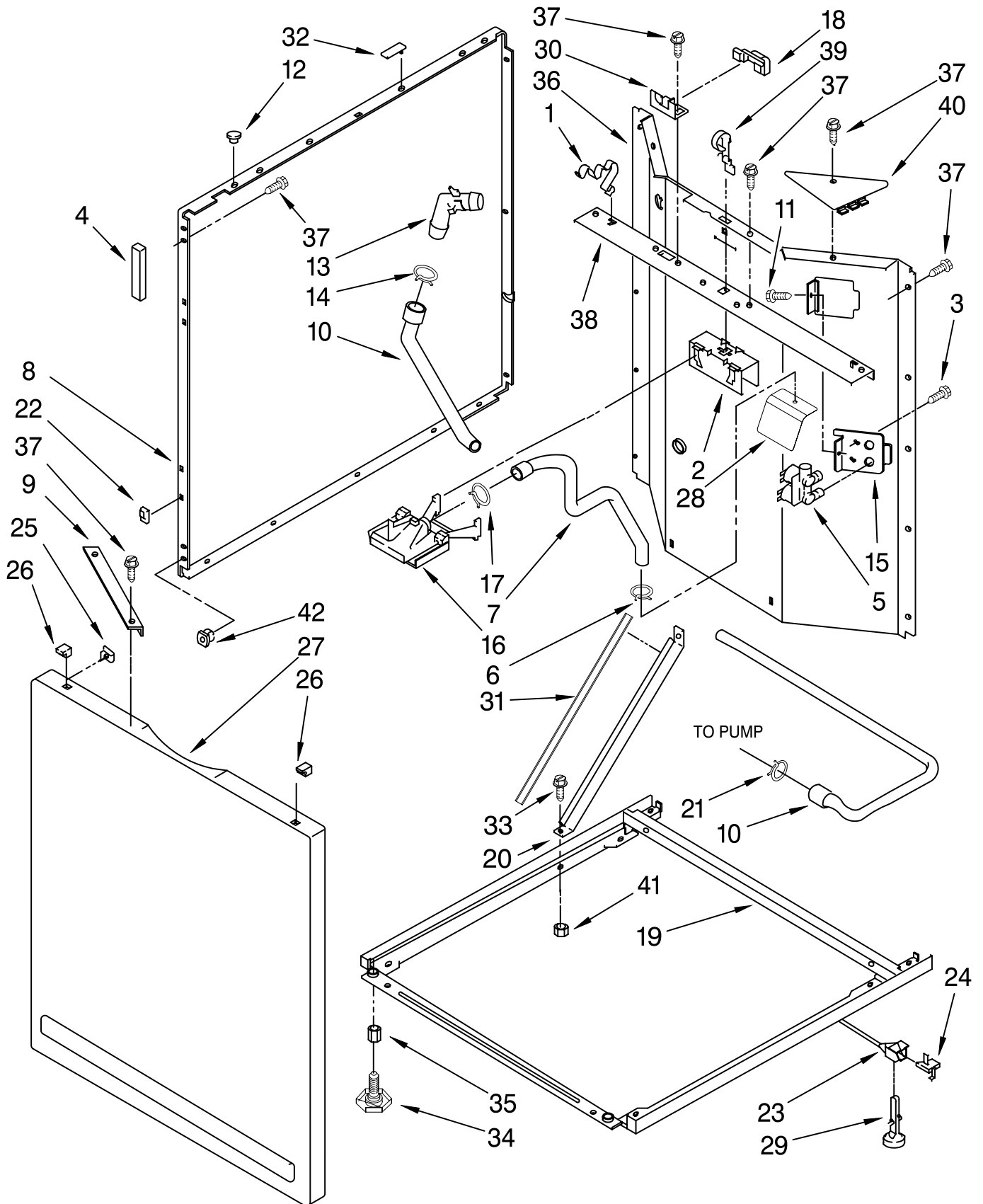
For Model: WGT3300SQ0
(Designer White)

Illus. No.	Part No.	DESCRIPTION
1	3351652	Lid
2	9724509	Bumper, Lid (2)
3	3351355	Screw And Washer
4	343641	Screw, 10-16 x 1/2
5	692400	Nut, Push-In (2)
6	3349817	Top, Console
7	357572	Clip, Grounding
8	3354020	Bracket, Mounting
9	3350152	Retainer, Lid Assembly
10	3350828	Clip, Retainer
11	21258	Hinge, Bearing (2)
12	3356311	Screw And Washer
13	358684	Strike, Lid
14	3350101	Hinge, R.H.
15	3350102	Hinge, L.H.
16	3362952	Dispenser-Bleach
17	3355458	Switch, Lid
18	90016	Clip, Wire (4)
19	3390481	Locator, Top

FOR ORDERING INFORMATION REFER TO PARTS PRICE LIST

WASHER CABINET PARTS

For Model: WGT3300SQ0
(Designer White)



FOR ORDERING INFORMATION REFER TO PARTS PRICE LIST

WASHER CABINET PARTS

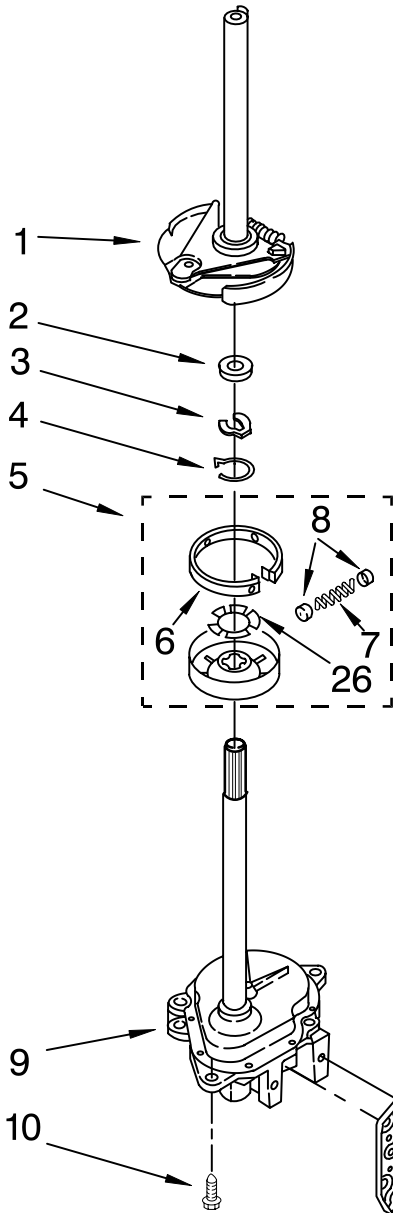
For Model: WGT3300SQ0
(Designer White)

Illus. No.	Part No.	DESCRIPTION	Illus. No.	Part No.	DESCRIPTION	Illus. No.	Part No.	DESCRIPTION
1	3349770	Clip, Spring Top (2)	11	9740848	Screw, 8-18 x 1/2	29	358594	Foot, Rear (2)
2	3349768	Bracket, Vacuum	12	660975	Plug, Top To Cabinet (2)	30	3350144	Bracket, Lid Switch
3	62863	Screw, Mixing Valve Mounting (2) (10-16 X 3/8)	13	8557915	Connector, Hose	31	303294	Edge, Protector
4	3350013	Foam	14	356138	Clamp, Hose	32	352292	Nut, Push-In (2)
5	3979349	Valve, Water Mixing	15	3349673	Bracket, Valve	33	3400502	Screw, 5/16-18 x 1/2 (2)
6	370451	Clamp, Hose	16	387606	Thermister, Inlet	34	389102	Foot, Front (2)
7	8521954	Hose, Water Inlet (Vacuum Break To Mixing Valve)	17	371503	Clamp, Hose	35	3400917	Nut, Jam (2)
8		Panel, Side (2) (Same Panel Used On Left And Right Side)	18	3350145	Shield, Lid Switch	36	3349493	Panel, Rear (Washer)
	3349455	White	19	3402724	Base, Cabinet	37	343641	Screw, 10-16 x 1/2
9	3350745	Brace, Front Panel	20	3388857	Bracket, Base	38	3349697	Rail, Back Top
10	3353841	Hose, Drain	21	371507	Clamp, Hose	39	3350135	Spring, Lever Bracket
			22	3394083	Clip, Front Panel (2)	40	3390608	Shield, Corner Right Rear
			23	3349311	Link, Leveling	41	3393930	Nut, Hex (2)
			24	359364	Clip, Leveling Mechanism (2)	42	352292	Nut, Push-In (2)
			25	98234	Clip, Ground			
			26	345670	Lock, Top (2)			
			27	3349499	Panel, Front			
			28	3979552	Shield, Inlet Valve			

FOR ORDERING INFORMATION REFER TO PARTS PRICE LIST

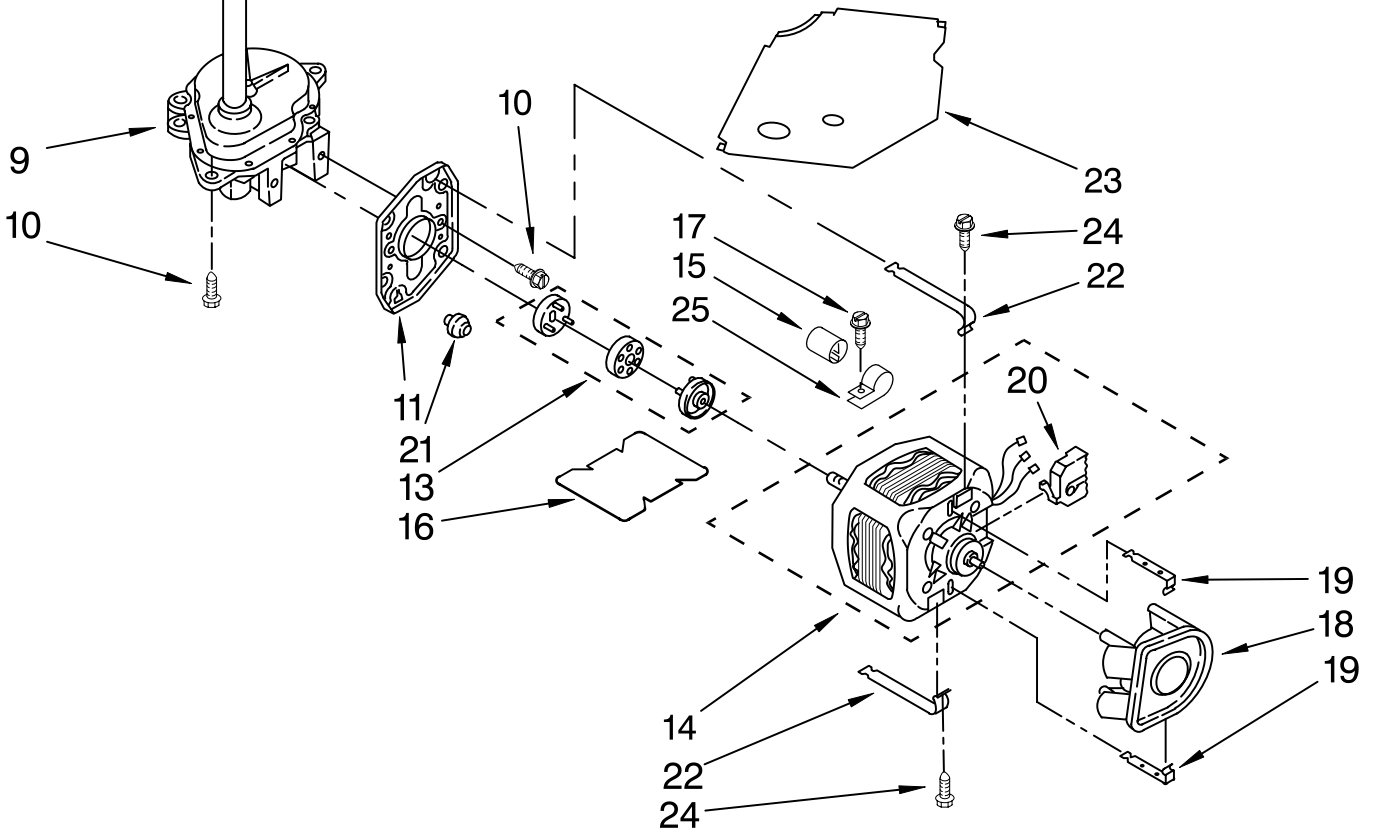
BRAKE, CLUTCH, GEARCASE, MOTOR AND PUMP PARTS

For Model: WGT3300SQ
(Designer White)



Illus. No.	Part No.	DESCRIPTION
1	388951	Brake And Drive Tube (Complete) (Refer To Page 18 For Further Breakdown)
2	63292	Washer, Spin Tube Thrust
3	62697	Ring, Spin Tube Support
4	63283	Ring, Retainer
5	3951311	Clutch (Complete)
6	3951308	Band And Lining (Includes Illus. 7 & 8)
7	3946792	Spring & Damper Assembly
8	62646	Cap, Clutch Spring (2)
9	8532118	Gearcase (Complete)(Refer To Page 17 For Further Breakdown)
10	3357334	Screw, (3) 5/16-24 x 3/16 (3) (Gearcase To Tub Support)

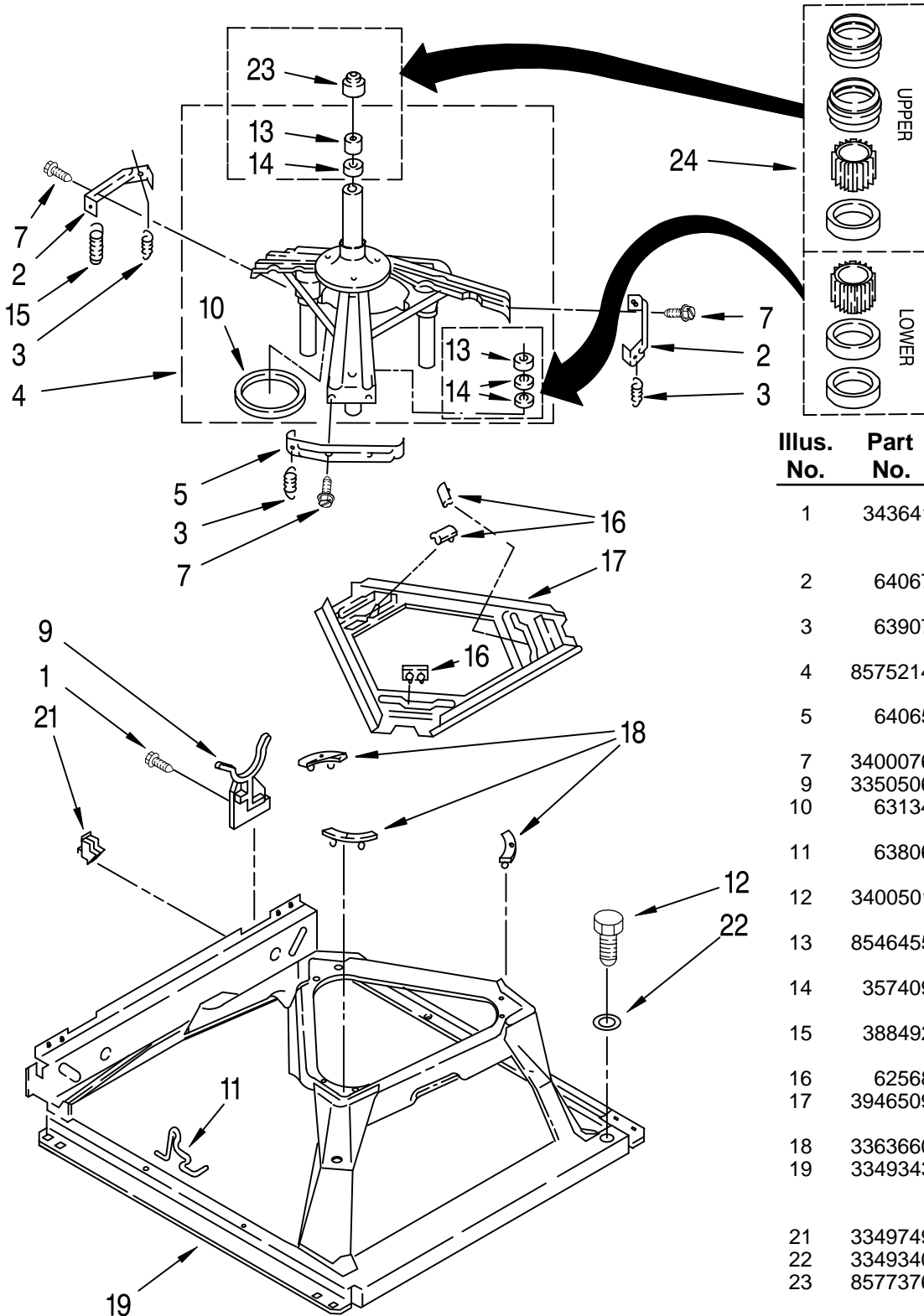
Illus. No.	Part No.	DESCRIPTION
11	62611	Plate, Motor Mount To Gearcase
13	3364003	Coupling, Motor & Isolating
14	661600	Motor, Main Drive
15	8572717	Capacitor, Motor Start
16	8316060	Shield, Motor
17	62863	Screw, 10-16 x 3/8
18	3363892	Pump, Complete
19	8546127	Retainer, Pump
20	62850	Switch, Main Drive Motor
21	62691	Grommet, Motor (4)
22	3349637	Retainer, Motor (2)
23	3362089	Shield, Tub To Motor
24	3387485	Screw, 10-16 x 5/8
25	3949496	Clamp, Capacitor
26	3355454	Clip, Anti-Rattle



FOR ORDERING INFORMATION REFER TO PARTS PRICE LIST

MACHINE BASE PARTS

For Model: WGT3300SQ
(Designer White)

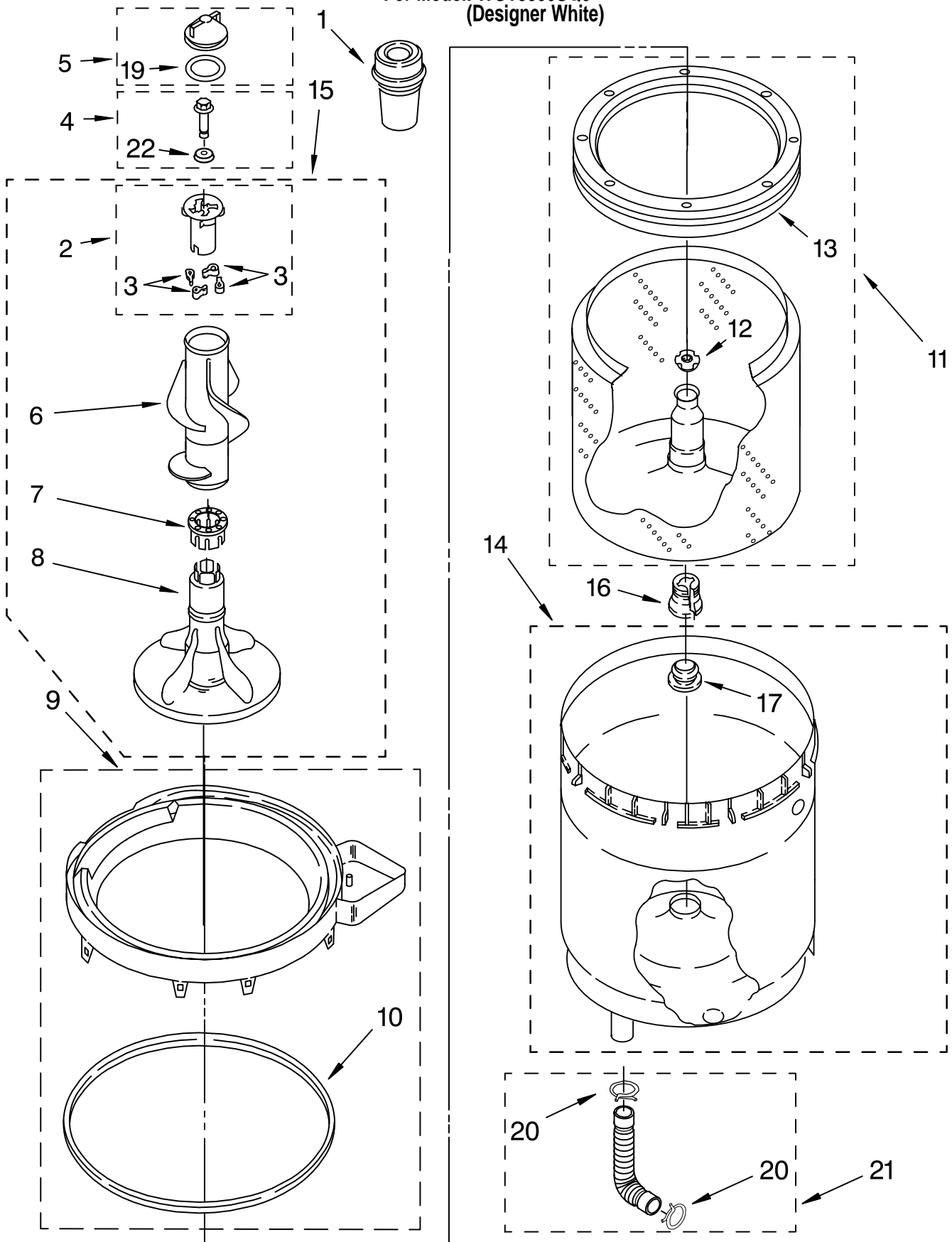


Illus. No.	Part No.	DESCRIPTION
1	343641	Screw, Bracket Mounting (10-16 x 1/2)
2	64067	Bracket, Spring Outer (2)
3	63907	Spring, Suspension (3)
4	8575214	Support & Brake, Tub
5	64065	Bracket, Spring Outer (L.F.)
7	3400076	Screw, 10-32 x 5/8
9	3350506	Retainer, Hose
10	63134	Ring, Sound Deadening
11	63806	Retainer, Suspension Spring
12	3400501	Screw, Shoulder (2)
13	8546455	Bearing, Centerpost (2)
14	357409	Seal, Centerpost (3)
15	388492	Spring, Counterweight
16	62568	Pad, Plate
17	3946509	Plate, Suspension (Includes Illus. 16)
18	3363660	Pad, Base
19	3349343	Base Assembly (Includes Illus. 11 & 18)
21	3349749	Restrainer, Base
22	3349340	Washer (2)
23	8577376	Seal, Centerpost (1)
24	285203	Centerpost Bearing Kit (Includes Illus. 13, 14 & 23)

FOR ORDERING INFORMATION REFER TO PARTS PRICE LIST

AGITATOR, BASKET AND TUB PARTS

For Model: WGT3300SQ
(Designer White)



AGITATOR, BASKET AND TUB PARTS

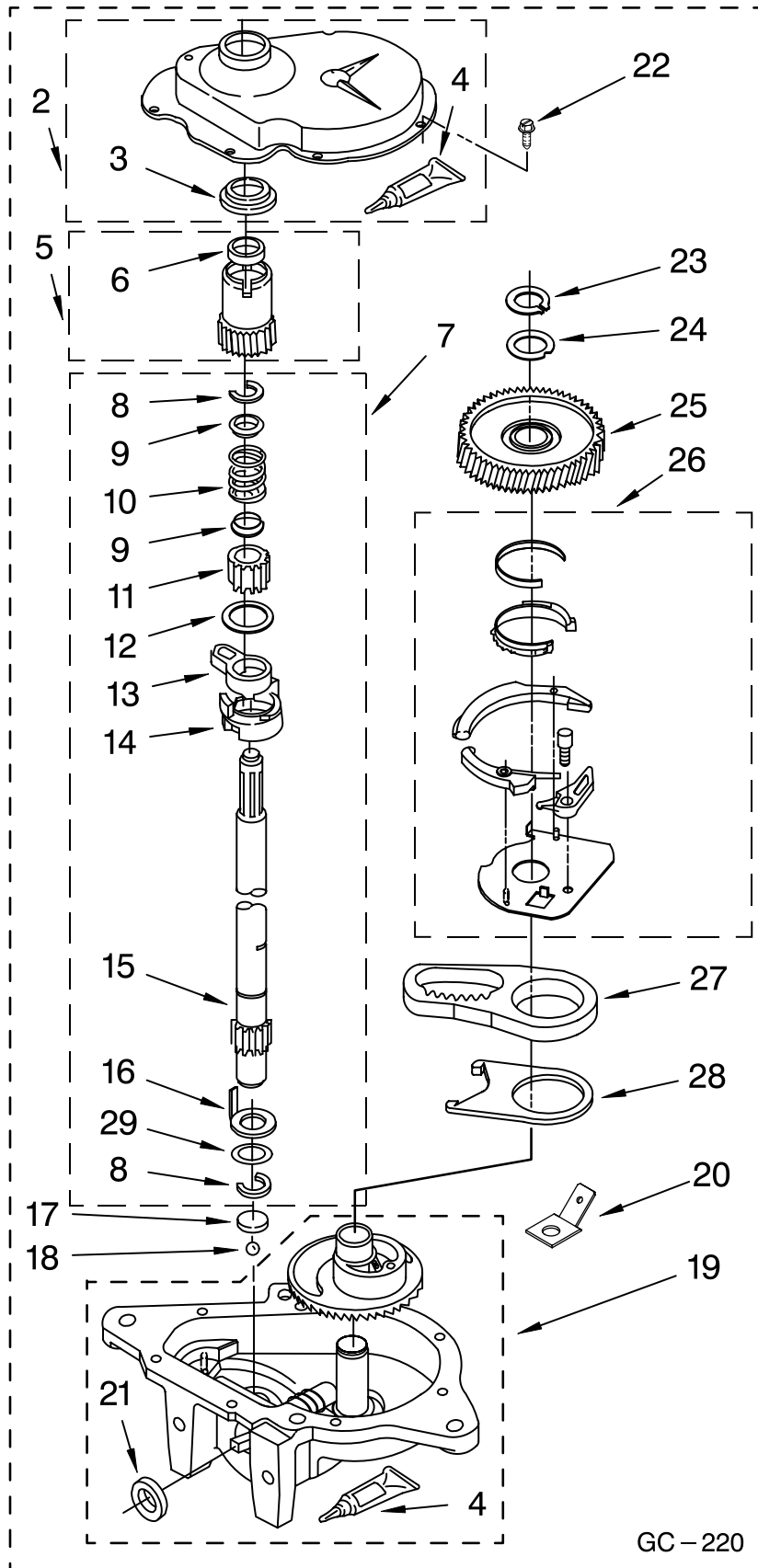
For Model: WGT3300SQ0
(Designer White)

Illus. No.	Part No.	DESCRIPTION
1	3350834	Dispenser
2	3947410	Cam Driven
3	3366877	Dog, Agitator (4)
4	358237	Screw & Washer
5	387094	Cap, Barrier
6	3349610	Mover, Agitator Clutch
7	3351014	Spacer, Thrust
8	3349578	Agitator
9	8528150	Tub Ring
10	3976308	Gasket, Tub Ring
11	3979385	Basket
12	21366	Nut, Spanner
13	8519788	Ring, Balance
14	3349292	Tub
15	3349743	Agitator (Complete)
16	389140	Block, Drive
17	383727	Gasket, Centerpost
19	3348855	Seal, Inner Cap
20	3363366	Clamp, Hose (2)
21	3951449	Hose & Clamp Assembly
22	3949550	Washer

FOR ORDERING INFORMATION REFER TO PARTS PRICE LIST

GEARCASE PARTS

For Model: WGT3300SQ
(Designer White)



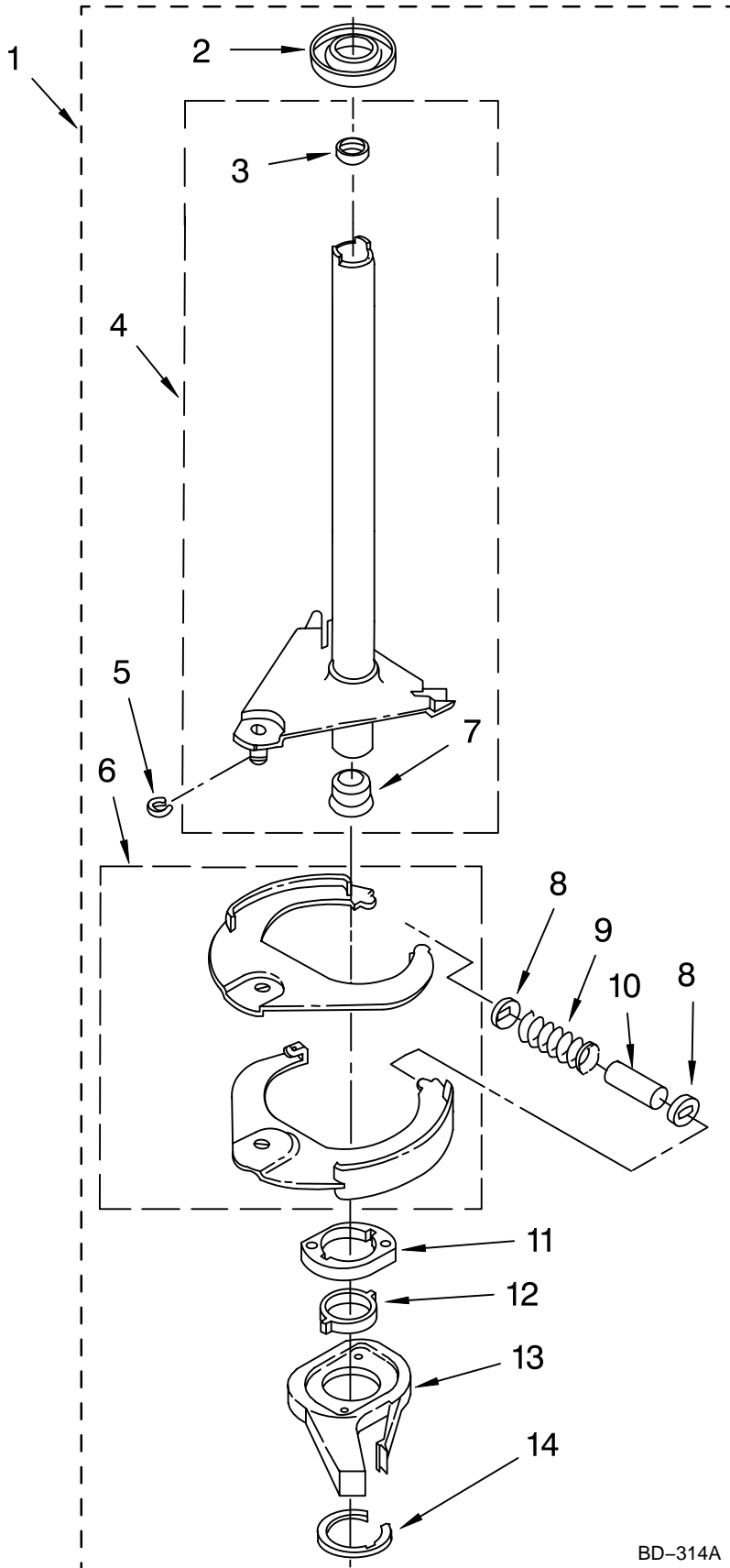
Illus. No.	Part No.	DESCRIPTION
1	8532118	Gearcase (Complete)
2	285202	Cover, Gearcase
3	3349985	Seal, Gearcase Cover
4	285195	Sealer, Gasket (.20 Fl. Oz.) (6 ml)
5	63320	Pinion, Spin (Includes Illus. 25)
6	356427	Seal, Spin Pinion
7	389387	Shaft, Agitator (Complete)
8	90369	Ring, Retaining (2)
9	62677	Retainer, Spring (2)
10	62676	Spring, Agitate
11	63273	Gear, Agitate (Includes 15 & 29)
12	62619	Washer, Agitate Gear
13	62580	Cam Follower (Includes 14)
14	62581	Cam, Agitate (Includes 13)
15	285509	Shaft, Agitator (Includes 11 & 29)
16	62618	Washer, Cam Thrust
17	16018	Bearing, Thrust (Includes 18)
18	85529	Ball, Bearing (Includes 17)
19	389230	Bottom and Pinion, Gearcase
20	3949116	Block Tab, Terminal
21	285352	Seal, Thrust Plug
22	3351614	Screw, Gearcase Cover Mounting (8) (10-24 x 3/8)
23	3362552	Ring, Retaining
24	285735	Washer Kit, Thrust
25	62570	Gear, Spin
26	388253	Neutral Assembly
27	3349296	Rack, Connecting
28	62621	Actuator, Shift
29	388815	Washer, Intermediate

GC-220

FOR ORDERING INFORMATION REFER TO PARTS PRICE LIST

BRAKE AND DRIVE TUBE PARTS

For Model: WGT3300SQ
(Designer White)



Illus. No.	Part No.	DESCRIPTION
1	388951	Brake And Drive Tube (Complete)
2	62658	Ring, Thrust
3	356427	Seal, Drive Tube
4	64027	Tube, Basket Drive (Includes Illus. 3, 4, 5 & 9)
5	64035	Ring, Retaining
6	64232	Shoe, Brake (2)
7	62703	"T" Bearing, Spin Tube
8	3353956	Cap, Brake Spring (2)
9	62647	Spring, Brake
10	3355360	Sleeve, Brake Spring
11	661516	Cam, Brake Release
12	63022	Sleeve, Cam
13	64194	Driver, Brake Cam
14	90368	Ring, Retaining

FOLLOWING PARTS NOT ILLUSTRATED

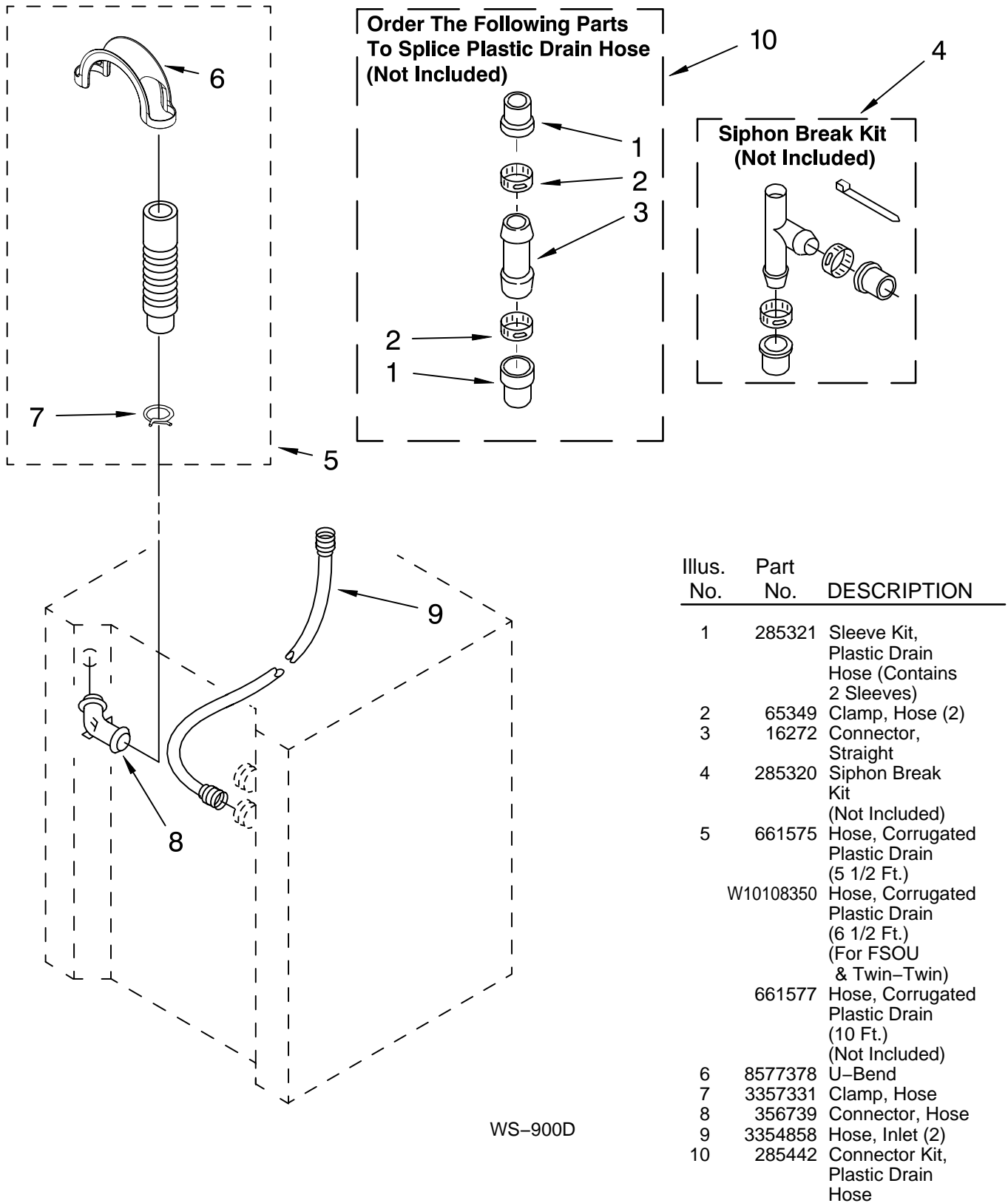
285208 Lubricant
(Use Only In Brake Shoe Assembly On Roller & Pin)

BD-314A

FOR ORDERING INFORMATION REFER TO PARTS PRICE LIST

WATER SYSTEM PARTS

For Model: WGT3300SQ
(Designer White)



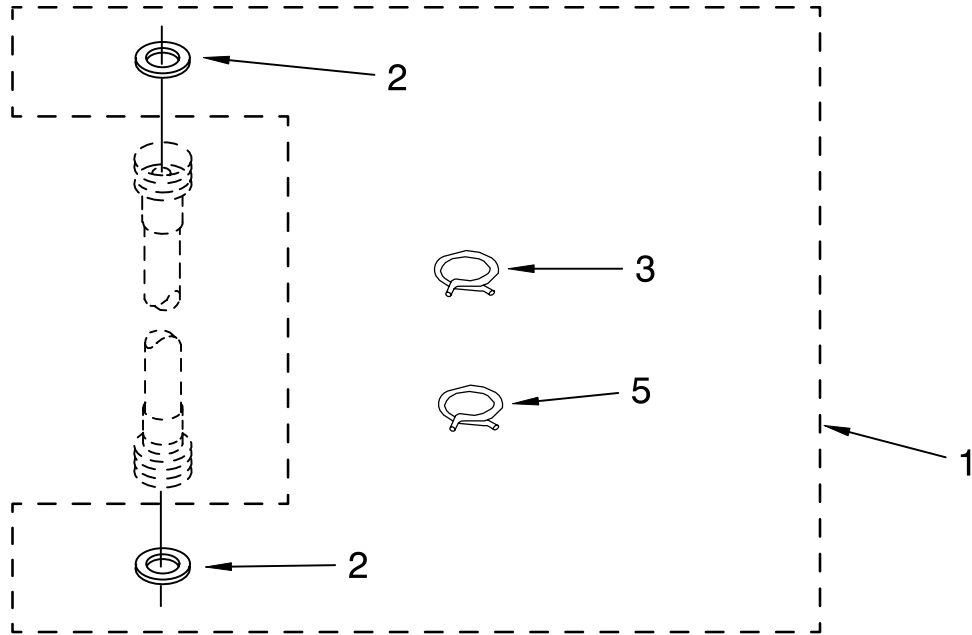
Illus. No.	Part No.	DESCRIPTION
1	285321	Sleeve Kit, Plastic Drain Hose (Contains 2 Sleeves)
2	65349	Clamp, Hose (2)
3	16272	Connector, Straight
4	285320	Siphon Break Kit (Not Included)
5	661575	Hose, Corrugated Plastic Drain (5 1/2 Ft.)
	W10108350	Hose, Corrugated Plastic Drain (6 1/2 Ft.) (For FSOU & Twin-Twin)
	661577	Hose, Corrugated Plastic Drain (10 Ft.) (Not Included)
6	8577378	U-Bend
7	3357331	Clamp, Hose
8	356739	Connector, Hose
9	3354858	Hose, Inlet (2)
10	285442	Connector Kit, Plastic Drain Hose

WS-900D

FOR ORDERING INFORMATION REFER TO PARTS PRICE LIST

MISCELLANEOUS PARTS

For Model: WGT3300SQ0
(Designer White)



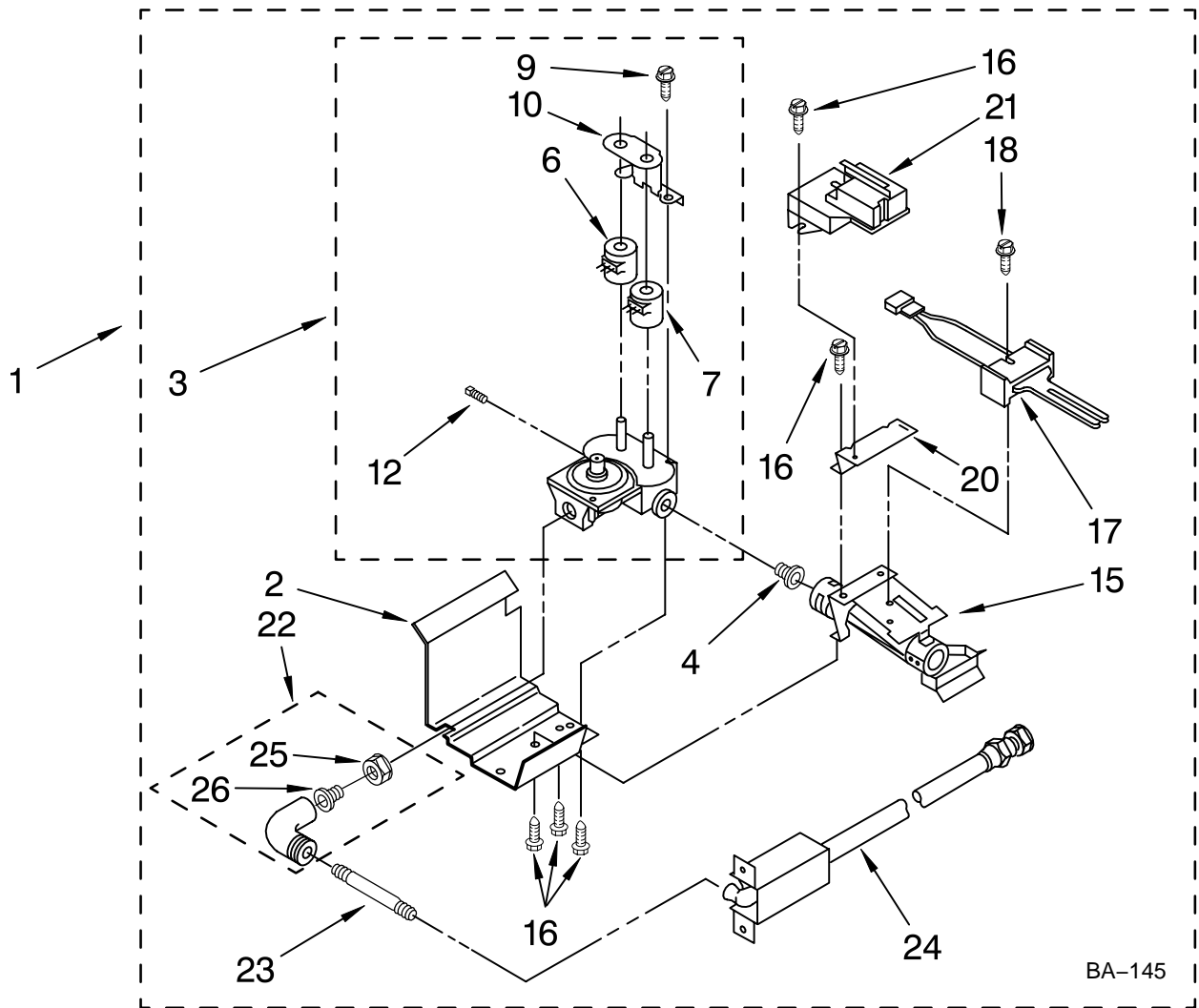
Illus. No.	Part No.	DESCRIPTION
1	W10118295	Miscellaneous Parts Bag
2	16123	Washer, Inlet Hose
3	356138	Clamp, Hose
5	3357331	Clamp, Hose (Upper Drain)

FOR ORDERING INFORMATION REFER TO PARTS PRICE LIST

3402855 BURNER ASSEMBLY

For Model: WGT3300SQO
(Designer White)

1 USE WITH TYPE 1 – NATURAL, TYPE 2 – MIXED, TYPE 3 – MANUFACTURED
AND TYPE 4 – LIQUEFIED PROPANE AND BUTANE GASES



Illus. No.	Part No.	DESCRIPTION	Illus. No.	Part No.	DESCRIPTION	Illus. No.	Part No.	DESCRIPTION
1	3401795	Burner Assembly 60 Hz.	10	694538	Bracket, Shunt	23	3391845	Nipple, Short
2	3391699	Base, Burner	12	239822	Pipe, Plug	24	3391118	Supply Line (Gas)
3	3401776	Valve, 60 Hz.	15	3392268	Burner	25	233076	Nut
4		Orifice	16	3387057	Screw, 8-18 x 3/8	26	3393767	Pipe
	3394360	Natural Gas	17	686590	Ignitor	Following Parts Not Illustrated		
	15422	L.P. Gas	18	3393909	Screw and Washer 8-32 x 1			
6	694539	Coil, 60 Hz. (Split)	20	697409	Bracket, Sensor	3392235		Conversion Kit (Type 1, 2 & 3) to Type (4) L.P.G.
7	694540	Coil, 60 Hz.	21	338906	Sensor, Radiant			
9	694421	Screw, 8-32	22	3406051	Elbow Union Assembly			

FOR ORDERING INFORMATION REFER TO PARTS PRICE LIST

OPTIONAL PARTS (NOT INCLUDED)

For Model: WGT3300SQ
(Designer White)

Illus.	Part	
No.	No.	DESCRIPTION

PAINT, TOUCH-UP (1/2oz.)

72017 White
4392899 Biscuit

PAINT, PRESSURIZED SPRAY (12 oz.)

350938 Primer, Gray
350930 White
4392901 Biscuit

PAINT, BULK (1 qt.)

799344 White (Uncut)
4392900 Biscuit (Uncut)

OIL

350572 Oil, Gearcase
(16 Oz.)

LUBRICANT

285208 Lubricant (Use
Only in Brake
Shoe Assembly
On Roller and
Pin)

SEALER

285195 Sealer, Gasket
(.20 Fl. Oz.)
(6 ml)

ACCESSORIES

3391335 Kit, Side Exhaust

Free Manuals Download Website

<http://myh66.com>

<http://usermanuals.us>

<http://www.somanuals.com>

<http://www.4manuals.cc>

<http://www.manual-lib.com>

<http://www.404manual.com>

<http://www.luxmanual.com>

<http://aubethermostatmanual.com>

Golf course search by state

<http://golfingnear.com>

Email search by domain

<http://emailbydomain.com>

Auto manuals search

<http://auto.somanuals.com>

TV manuals search

<http://tv.somanuals.com>