

KitchenAid[®]
HOME APPLIANCES

e n s e m b l e[®]

Kenmore
E L I T E[®]

H_E2[™] *H_E3*[™] *H_E4*[™]

H_E2t[™] *H_E3t*[™] *H_E4t*[™]

H_E5[™] *H_E5t*[™]

Whirlpool[®]
Home Appliances

duet[®] **duet**[®]
HT

duet[™]
sport

MAYTAG[®]

15.5" (39.4 cm) Washer/Dryer Pedestal

Installation Instructions

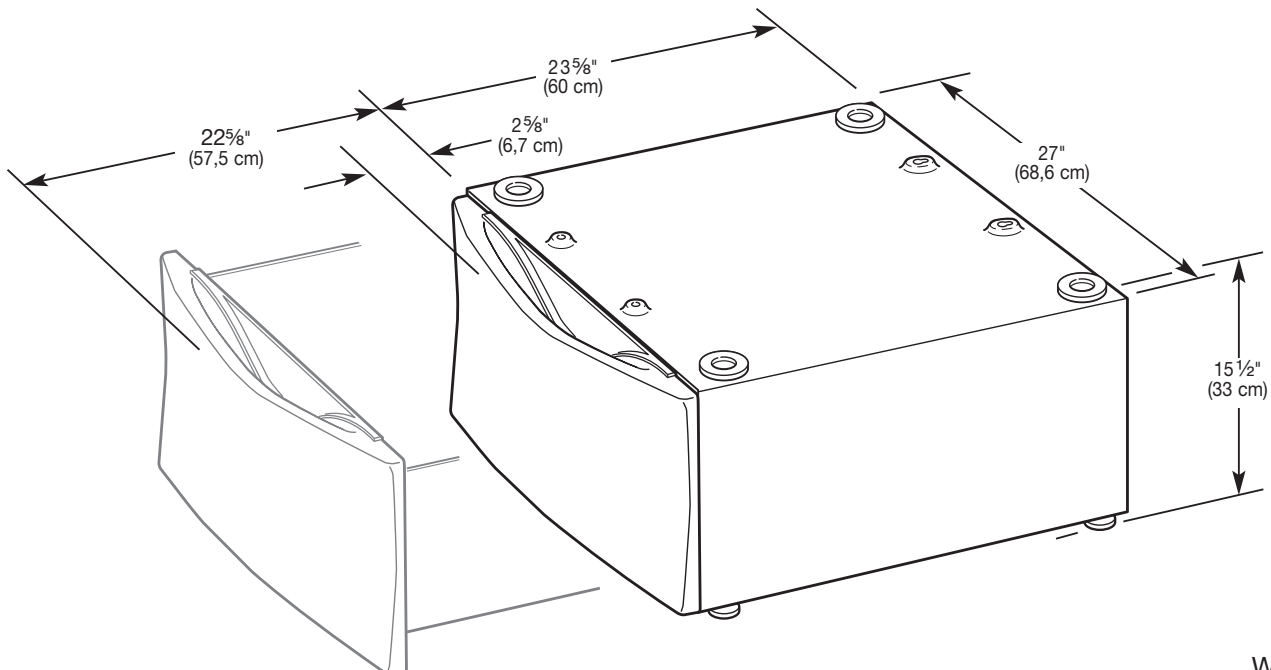
Pedestal para lavador/secadora de 15,5" (39,4 cm)

Instrucciones para la instalación

Piédestal de 15,5" (39,4 cm) pour laveuse/sécheuse

Instructions d'installation

Table of Contents/Índice/Table des matières.....2/8/14



ENGLISH ESPAÑOL FRANÇAIS

W10163294A

TABLE OF CONTENTS

PEDESTAL SAFETY	2	INSTALLATION INSTRUCTIONS	5
INSTALLATION REQUIREMENTS	3	Installing the Pedestal	5
Tools and Parts	3	PEDESTAL USE	6
Location Requirements	3	WARRANTY	7
Before Installing Your Pedestal	3		

PEDESTAL SAFETY

Your safety and the safety of others are very important.

We have provided many important safety messages in this manual and on your appliance. Always read and obey all safety messages.



This is the safety alert symbol.

This symbol alerts you to potential hazards that can kill or hurt you and others.

All safety messages will follow the safety alert symbol and either the word "DANGER" or "WARNING."

These words mean:

⚠ DANGER

You can be killed or seriously injured if you don't immediately follow instructions.

⚠ WARNING

You can be killed or seriously injured if you don't follow instructions.

All safety messages will tell you what the potential hazard is, tell you how to reduce the chance of injury, and tell you what can happen if the instructions are not followed.

INSTALLATION REQUIREMENTS

Tools and Parts

Gather the required tools and parts before starting installation. Read and follow the instructions provided with any tools listed here.

Tools needed

- Utility knife
- 1/4" hex-head ratchet or open-end wrench (leveling legs)
- 5/16" hex-head ratchet or nut driver (for sheet metal screws)
- 9/16" open-end wrench (for leveling leg locknuts)
- Pliers or slip-joint pliers (for drain and inlet hoses)
- Level
- Bucket

Parts supplied

Remove the parts package from the pedestal drawer. This package contains 4, #12 x 5/8" hex head sheet metal screws and drawer divider.

Location Requirements

⚠ WARNING



Explosion Hazard

Keep flammable materials and vapors, such as gasoline, away from dryer.

Place dryer at least 18 inches (46 cm) above the floor for a garage installation.

Failure do to so can result in death, explosion, or fire.

NOTE: If dryer and pedestal assembly is located in a garage, 3" (7.6 cm) must be added under pedestal so that dryer is 18" (46 cm) above garage floor.

Before Installing Your Pedestal

IMPORTANT: If your washer and dryer are already installed, they must be uninstalled.

If you need to uninstall your washer or dryer, see your Installation Instructions that came with your model for tools required.

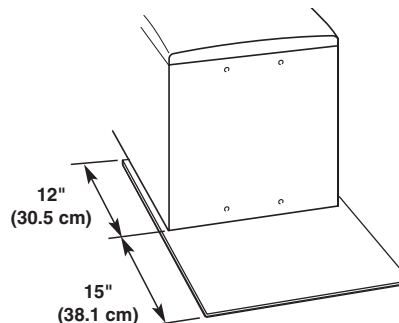
Uninstalling Your Washer

⚠ WARNING

Excessive Weight Hazard

Use two or more people to move and uninstall washer. Failure to do so can result in back or other injury.

1. Turn off the hot and cold water faucets.
2. Unplug the power supply cord or disconnect power.
3. Slowly loosen the fill hoses at the faucets to relieve the water pressure. Use a sponge or towel to absorb the released water.
4. Remove the hot and cold fill hoses from the back of the washer. Drain the water from the hoses into a bucket.
5. Squeeze the ears of the drain hose clamp with pliers to open and slide the clamp down the hose. Disconnect the drain hose from the washer and drain any water in the hose into a bucket.
6. Pull the washer away from wall so it can be tipped on its back.
7. Protect the floor with a large piece of cardboard cut from the pedestal carton. Lay the washer on its back (make sure that the power supply cord is not under the washer) so that the cardboard is under the entire lower back edge of the washer. An additional small amount of water will drain out of the washer when it is tipped back.



8. Go to "Installing the Pedestal" section.

Uninstalling Your Electric Dryer

1. Unplug the power supply cord.

⚠ WARNING



Electrical Shock Hazard

Disconnect power before servicing.
Replace all parts and panels before operating.
Failure to do so can result in death or electrical shock.

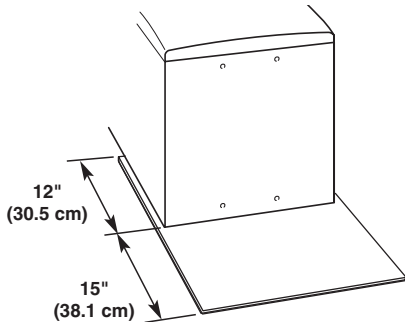
2. Disconnect wiring if dryer is direct wired.

⚠ WARNING

Excessive Weight Hazard

Use two or more people to move and uninstall dryer.
Failure to do so can result in back or other injury.

3. Pull the dryer away from the wall enough to loosen the vent clamp. Loosen the clamp and gently remove the exhaust vent from the dryer exhaust outlet.
4. Pull the dryer away from wall so that it can be tipped onto its back.
5. Protect the floor with a large piece of cardboard cut from the pedestal carton. Lay the dryer on its back (make sure that the power supply cord is not under the dryer) so that the cardboard is under the entire lower back edge of the dryer.



6. Go to "Installing the Pedestal" section.

Uninstalling Your Gas Dryer

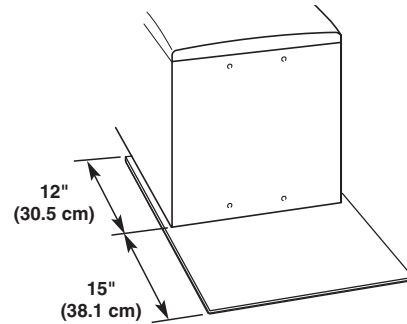
⚠ WARNING

Excessive Weight Hazard

Use two or more people to move and uninstall dryer.
Failure to do so can result in back or other injury.

1. Unplug the power supply cord or disconnect power.
2. Turn off the gas supply.

3. Pull the dryer away from the wall enough to loosen the vent clamp. Loosen the clamp and gently remove the exhaust vent from the dryer exhaust outlet.
4. Disconnect the flexible gas supply line from the dryer. Put a piece of tape over the open ends of the gas line connection fittings.
5. Pull the dryer away from wall so that it can be tipped onto its back.
6. Protect the floor with a large piece of cardboard cut from the pedestal carton. Lay the dryer on its back (make sure that the power supply cord is not under the dryer) so that the cardboard is under the entire lower back edge of the dryer.



7. Go to "Installing the Pedestal" section.

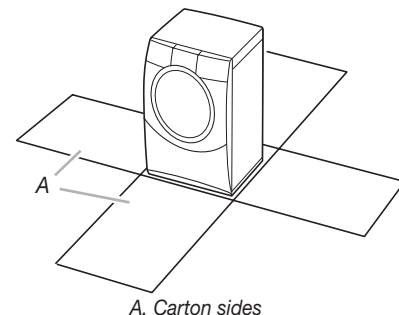
Washer or Dryer Is In Its Packaging

⚠ WARNING

Excessive Weight Hazard

Use two or more people to move washer or dryer.
Failure to do so can result in back or other injury.

1. Position the packaged washer or dryer close to its final position. Cut the packaging as follows:
Washer: Cut plastic film along dotted cut line around the base. Do not remove the packaging.
Dryer: Cut carton around top and down corners along dotted cut lines. Lay all four carton sides on floor. Discard carton top and corner posts.
IMPORTANT: Leave carton bottom underneath dryer.



2. Lay washer or dryer on its back.
NOTE: When laying the washer on its back, hold the bottom cap down on the floor. Do not remove the plastic film, corner posts or top cap. These protect the floor and washer back. When laying the dryer on its back, the floor and dryer back are protected by pieces of the carton.

INSTALLATION INSTRUCTIONS

Installing the Pedestal

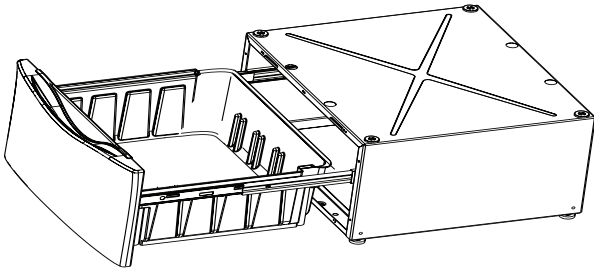
Follow these instructions to install the pedestal on a washer or dryer.

! WARNING

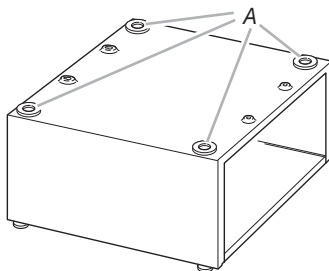
Excessive Weight Hazard

**Use two or more people to move and install pedestal.
Failure to do so can result in back or other injury.**

1. Open the pedestal drawer as far as possible and remove the contents. This package contains 4, #12 x $\frac{5}{8}$ " hex head sheet metal screws used in step 5, and the divider pack.

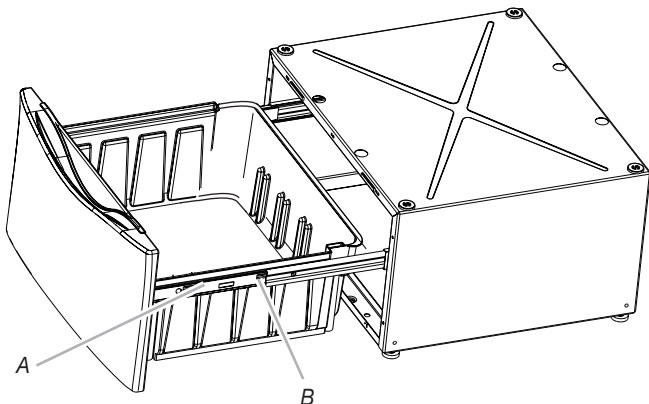


2. Verify the 4 spacer pads are installed on the top of the pedestal.



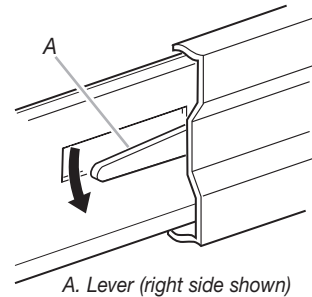
A. Spacer pads

3. Locate the levers on the drawer slides on each side of the drawer.



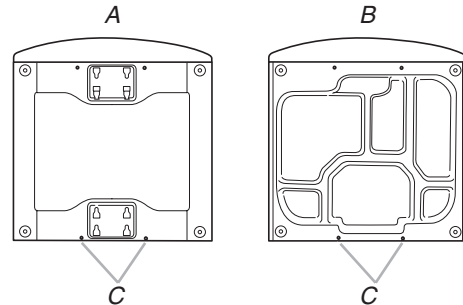
A. Drawer slide
B. Lever

4. Pull the lever up on the left side of the drawer and at the same time, push the lever down on the right side. While holding the levers in position, pull the drawer all the way out and set aside. Push the slides back into the pedestal.



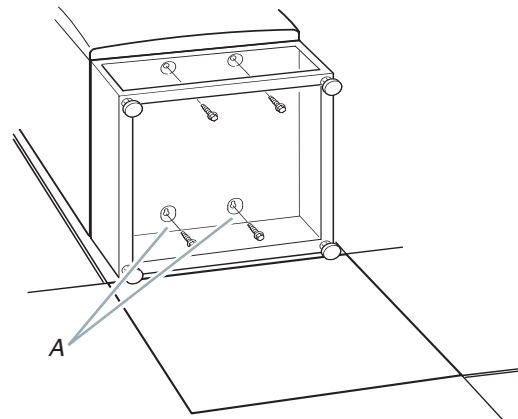
A. Lever (right side shown)

5. If your washer or dryer has feet installed, remove them. Do not install the feet that came with a new washer or dryer.
6. Partially install 2 of the #12 x $\frac{5}{8}$ " hex head sheet metal screws in the lower holes. Leave a space of about $\frac{3}{8}$ " (1 cm) between the screw head and the bottom of the washer or dryer.



A. Washer bottom
B. Dryer bottom
C. Install screws

7. Tip the pedestal on its back and move it against the washer or dryer bottom. Slide the pedestal's keyhole slots over the lower 2 partially installed screws.



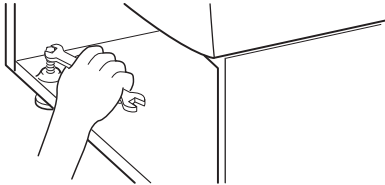
A. Lower screws in keyhole slots

8. Position the pedestal toward the front of the washer or dryer and install the 2 remaining hex-head sheet metal screws. Do not tighten completely.
9. Align the sides of the pedestal so that they are even with the sides of the washer or dryer. Reach inside the pedestal drawer opening and securely tighten all 4 pedestal screws.

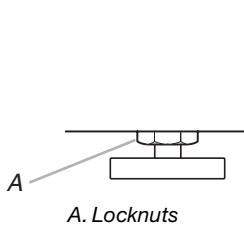
10. Tip the washer or dryer back to its upright position. Remove and discard packaging including washer's plastic film, corner posts and top cap.
11. Slide the washer or dryer close to its final location.
12. Follow the Installation Instructions that came with your model to finish installing or reinstalling your washer or dryer (hoses, vents, etc.).
13. Level the washer or dryer from side to side and front to back.

NOTE: Make sure all 4 pedestal feet are in solid contact with the floor.

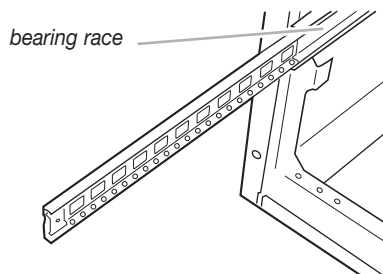
Place a level on the top. Locate the 1/4" hex-head screws on the top of each pedestal foot. Reach inside the pedestal and use a 1/4" hex-head ratchet or open-end wrench to adjust the feet up or down as needed to level the washer or dryer.



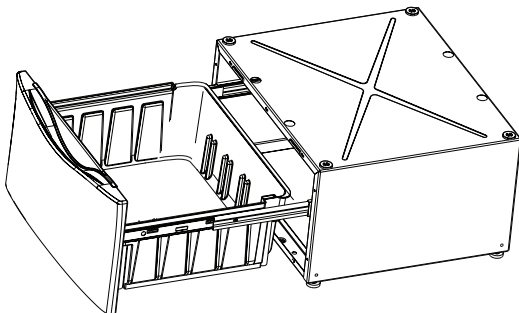
14. When the washer or dryer is level, use a 9/16" open-end wrench to securely tighten all 4 locknuts against the pedestal. The locknuts must be tightened to prevent vibration.



15. To reinstall the drawer, make sure the innermost slotted drawer slide pieces are fully extended and the bearing races are pulled forward on both sides.



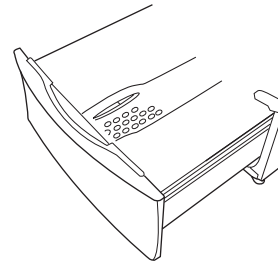
16. Line up the slide pieces on the drawer with the slide pieces extended from the pedestal, and push the drawer slides in, until they lock in place.



17. Remove the divider from the bag.

18. Place the divider in the drawer at the desired location and close the drawer.

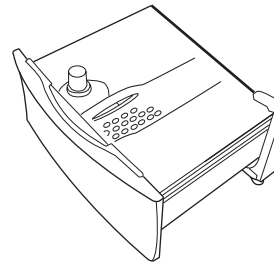
NOTE: Use of the divider is optional. See "Pedestal Use" section.



PEDESTAL USE

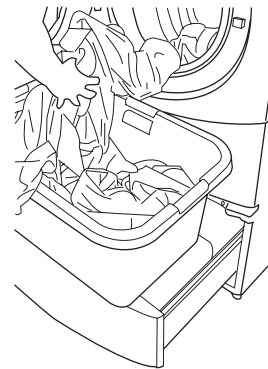
Your pedestal has several uses.

The drawer may be used to store detergent and other laundry supplies and is equipped with a removable divider.



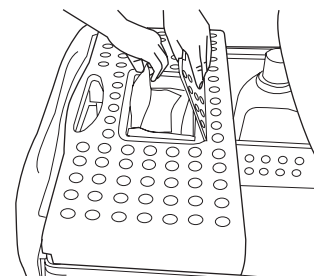
Optional Pedestal Shelf (Available with some models)

The shelf will support a laundry basket to assist with loading and unloading of the washer and dryer.



The shelf can be slid front to back or removed.

The shelf is equipped with a removable compartment to store dryer sheets in.



Before you call for Service

This pedestal must be installed only with the appropriate Kenmore® or Kenmore Elite®, Whirlpool®, KitchenAid® or Maytag® front-load washer or dryer. This pedestal must be operated according to the instructions provided with your Kenmore or Kenmore Elite, Whirlpool, KitchenAid, or Maytag front-load washer or dryer's Owner's manual or Use and Care Guide. Before you call for service, please locate your model and serial number for both the pedestal and the corresponding Kenmore or Kenmore Elite, Whirlpool, KitchenAid or Maytag front-load washer or dryer.

For a pedestal purchased at Sears for use with a Kenmore or Kenmore Elite front-load washer or dryer, the Kenmore Pedestal Warranty applies. For any other pedestal purchased for use with a Whirlpool, KitchenAid or Maytag front-load washer or dryer, the Whirlpool Corporation Pedestal Warranty applies.

WHIRLPOOL CORPORATION PEDESTAL WARRANTY

ONE-YEAR LIMITED WARRANTY

For one year from the date of purchase, when this appliance is operated and maintained according to instructions attached to or furnished with the product and is used with the appropriate Whirlpool Corporation front-load washer or dryer, Whirlpool or Whirlpool Canada (hereafter "Whirlpool") will pay for factory specified replacement parts and repair labor to correct defects in materials or workmanship. Service must be provided by a Whirlpool designated service company.

ITEMS WHIRLPOOL WILL NOT PAY FOR

1. Service calls to correct the installation of your appliance, to instruct you how to use your appliance, to replace or repair house fuses or to correct house wiring or plumbing.
2. Repairs when your appliance is used for other than normal, single-family household use.
3. Damage resulting from accident, alteration, misuse, abuse, fire, flood, acts of God, improper installation, installation not in accordance with electrical or plumbing codes, or use of products not approved by Whirlpool.
4. Replacement parts or repair labor costs for units operated outside the United States or Canada.
5. Pickup and delivery. This appliance is designed to be repaired in the home.
6. Repairs to parts or systems resulting from unauthorized modifications made to the appliance.
7. Expenses for travel and transportation for product service in remote locations.
8. The removal and reinstallation of your appliance if it is installed in an inaccessible location or is not installed in accordance with published installation instructions.

DISCLAIMER OF IMPLIED WARRANTIES; LIMITATION OF REMEDIES

DISCLAIMER OF IMPLIED WARRANTIES; LIMITATION OF REMEDIES
CUSTOMER'S SOLE AND EXCLUSIVE REMEDY UNDER THIS LIMITED WARRANTY SHALL BE PRODUCT REPAIR AS PROVIDED HEREIN. IMPLIED WARRANTIES, INCLUDING WARRANTIES OF MERCHANTABILITY OR FITNESS FOR A PARTICULAR PURPOSE, ARE LIMITED TO ONE YEAR OR THE SHORTEST PERIOD ALLOWED BY LAW. WHIRLPOOL SHALL NOT BE LIABLE FOR INCIDENTAL OR CONSEQUENTIAL DAMAGES. SOME STATES AND PROVINCES DO NOT ALLOW THE EXCLUSION OR LIMITATION OF INCIDENTAL OR CONSEQUENTIAL DAMAGES, OR LIMITATIONS ON THE DURATION OF IMPLIED WARRANTIES OF MERCHANTABILITY OR FITNESS, SO THESE EXCLUSIONS OR LIMITATIONS MAY NOT APPLY TO YOU. THIS WARRANTY GIVES YOU SPECIFIC LEGAL RIGHTS AND YOU MAY ALSO HAVE OTHER RIGHTS, WHICH VARY FROM STATE TO STATE OR PROVINCE TO PROVINCE.

Outside the 50 United States and Canada, this warranty does not apply. Contact your authorized Whirlpool dealer to determine if another warranty applies. If you need service, in the U.S.A., call 1-800-422-1230. In Canada, call 1-800-807-6777. 4/06

Keep this book and your sales slip together for future reference. You must provide proof of purchase or installation date for in-warranty service.

Write down the following information about your major appliance to better help you obtain assistance or service if you ever need it. You will need to know your complete model number and serial number. You can find this information on the model and serial number label located on the product.

Dealer name _____

Address _____

Phone number _____

Model number _____

Serial number _____

Purchase date _____

KENMORE® PEDESTAL WARRANTY

ONE YEAR LIMITED WARRANTY

When installed, operated and maintained according to all instructions supplied with the product and used with the appropriate Kenmore® front-load washer or dryer, if this product fails due to a defect in material or workmanship within one year from the date of purchase, call 1-800-4-MY-HOME to arrange for free repair. If this appliance is used for other than private family purposes, this warranty applies for only 90 days from the date of purchase.

THIS WARRANTY COVERS ONLY DEFECTS IN MATERIAL AND WORKMANSHIP. SEARS WILL NOT PAY FOR:

1. Expendable items that can wear out from normal use, including but not limited to filters, belts, light bulbs, and bags.
 2. A service technician to instruct the user in correct product installation, operation or maintenance.
 3. A service technician to clean or maintain this product.
 4. Damage to or failure of this product if it is not installed, operated or maintained according to all instructions supplied with the product.
 5. Damage to or failure of this product resulting from accident, abuse, misuse or use for other than its intended purpose.
 6. Damage to or failure of this product caused by the use of detergents, cleaners, chemicals or utensils other than those recommended in all instructions supplied with the product.
 7. Damage to or failure of parts or systems resulting from unauthorized modifications made to this product.
-

DISCLAIMER OF IMPLIED WARRANTIES; LIMITATION OF REMEDIES

Customer's sole and exclusive remedy under this limited warranty shall be product repair as provided herein. Implied warranties, including warranties of merchantability or fitness for a particular purpose, are limited to one year or the shortest period allowed by law. Sears shall not be liable for incidental or consequential damages. Some states and provinces do not allow the exclusion or limitation of incidental or consequential damages, or limitations on the duration of implied warranties of merchantability or fitness, so these exclusions or limitations may not apply to you.

This warranty applies only while this product is used in the United States and Canada.

This warranty gives you specific legal rights, and you may also have other rights which vary from state to state.

PRODUCT RECORD

In the space below, record your complete model number, serial number, and purchase date. You can find this information on the model and serial number label located on the product. Have this information available to help you obtain assistance or service more quickly whenever you contact Sears concerning your appliance.

Model number _____

Serial number _____

Purchase date _____

Save these instructions and your sales receipt for future reference.

ÍNDICE

SEGURIDAD DEL PEDESTAL	9	INSTRUCCIONES DE INSTALACIÓN	12
REQUISITOS DE INSTALACIÓN	10	Instalación del pedestal	12
Piezas y herramientas	10	USO DEL PEDESTAL	14
Requisitos de ubicación	10	GARANTEÍA	15
Antes de instalar su pedestal	10		

SEGURIDAD DEL PEDESTAL

Su seguridad y la seguridad de los demás es muy importante.

Hemos incluido muchos mensajes importantes de seguridad en este manual y en su electrodoméstico. Lea y obedezca siempre todos los mensajes de seguridad.



Este es el símbolo de advertencia de seguridad.

Este símbolo le llama la atención sobre peligros potenciales que pueden ocasionar la muerte o una lesión a usted y a los demás.

Todos los mensajes de seguridad irán a continuación del símbolo de advertencia de seguridad y de la palabra "PELIGRO" o "ADVERTENCIA". Estas palabras significan:

⚠ PELIGRO

Si no sigue las instrucciones de inmediato, usted puede morir o sufrir una lesión grave.

⚠ ADVERTENCIA

Si no sigue las instrucciones, usted puede morir o sufrir una lesión grave.

Todos los mensajes de seguridad le dirán el peligro potencial, le dirán cómo reducir las posibilidades de sufrir una lesión y lo que puede suceder si no se siguen las instrucciones.

REQUISITOS DE INSTALACIÓN

Piezas y herramientas

Reúna las herramientas y piezas necesarias antes de comenzar la instalación. Lea y siga las instrucciones de seguridad provistas con cualquiera de las herramientas enlistadas aquí.

Herramientas necesarias

- cuchillo para uso general
- llave de boca de $\frac{5}{16}$ " (para las contratueras de las patas niveladoras)
- destornillador de carraca hexagonal o llave de boca (patas niveladoras) de $\frac{1}{4}$ "
- pinzas o pinzas ajustables (para las mangueras de entrada y de desagüe)
- destornillador de carraca hexagonal o llave de tuercas de $\frac{5}{16}$ " (para tornillos para lámina metálica)
- nivel
- balde

Piezas suministradas

Saque el paquete de piezas del cajón del pedestal. Este paquete contiene 4 tornillos para lámina metálica de cabeza hexagonal #12 x $\frac{5}{8}$ " y un divisor de cajón.

Requisitos de ubicación

⚠ ADVERTENCIA



Peligro de Explosión

Mantenga los materiales y vapores inflamables, como la gasolina, lejos de la secadora.

Coloque la secadora a un mínimo de 46 cm sobre el piso para la instalación en un garaje.

No seguir estas instrucciones puede ocasionar la muerte, explosión o incendio.

NOTA: Si el conjunto de la secadora y del pedestal se ubica en un garaje, debe añadir 3" (7,6 cm) debajo del pedestal para que la secadora quede a 18" (46 cm) encima del piso del garaje.

Antes de instalar su pedestal

IMPORTANTE: Si su lavadora y secadora ya están instaladas, se las debe desinstalar.

Si necesita desinstalar su lavadora o secadora, vea las Instrucciones de instalación incluidas con su modelo para consultar cuáles son las herramientas necesarias.

Desinstalación de su lavadora

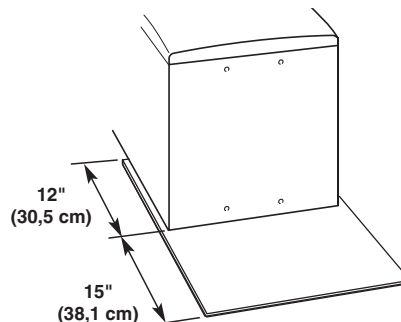
⚠ ADVERTENCIA

Peligro de Peso Excesivo

Use dos o más personas para mover y desinstalar la lavadora.

No seguir esta instrucción puede ocasionar una lesión en la espalda u otro tipo de lesiones.

1. Cierre los grifos de agua caliente y fría.
2. Desenchufe el cable de suministro eléctrico o desconecte el suministro de energía.
3. Afloje lentamente las mangueras de llenado en los grifos para aliviar la presión de agua. Use una esponja o una toalla para absorber el agua saliente.
4. Saque las mangueras de llenado de agua caliente y fría de la parte trasera de la lavadora. Drene el agua de las mangueras en un balde.
5. Apriete con las pinzas las aletas de la abrazadera de la manguera de desagüe y deslice la abrazadera por la manguera. Desconecte la manguera de desagüe de la lavadora y drene en un balde el agua que haya en la manguera.
6. Aleje la lavadora de la pared para que pueda ser inclinada sobre su parte posterior.
7. Proteja el piso con un pedazo de cartón grande del embalaje del pedestal. Ponga la lavadora sobre su parte posterior (asegúrese de que el cable de suministro eléctrico no esté debajo de la lavadora) de modo que el cartón esté debajo de todo el extremo posterior inferior de la lavadora. Una pequeña cantidad adicional de agua va a escurrirse de la lavadora cuando se la incline hacia atrás.



8. Vaya a "Instalación del pedestal".

Desinstalación de su secadora eléctrica

1. Desenchufe el cable de suministro de energía.

⚠ ADVERTENCIA



Peligro de Choque Eléctrico

Desconecte el suministro de energía antes de darle mantenimiento.

Vuelva a colocar todos los componentes y paneles antes de hacerlo funcionar.

No seguir estas instrucciones puede ocasionar la muerte o choque eléctrico.

2. Desconecte el cableado si la secadora tiene cableado directo.

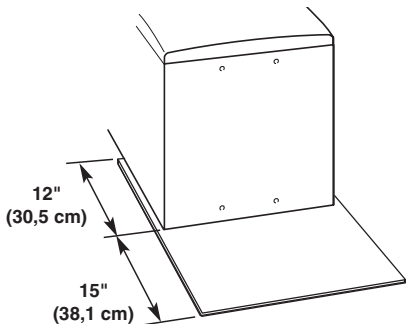
⚠ ADVERTENCIA

Peligro de Peso Excesivo

Use dos o más personas para mover y desinstalar la secadora.

No seguir esta instrucción puede ocasionar una lesión en la espalda u otro tipo de lesiones.

3. Aleje la secadora de la pared lo suficiente para aflojar la abrazadera del ducto de escape. Afloje la abrazadera y quite cuidadosamente el ducto de escape de la salida de aire de la secadora.
4. Aleje la secadora de la pared para que pueda ser inclinada sobre su parte posterior.
5. Proteja el piso con un pedazo de cartón grande del embalaje del pedestal. Ponga la secadora sobre su parte posterior (asegúrese de que el cable de suministro eléctrico no esté debajo de la secadora) de modo que el cartón esté debajo de todo el extremo posterior inferior de la secadora.



6. Vaya a "Instalación del pedestal".

Desinstalación de su secadora a gas

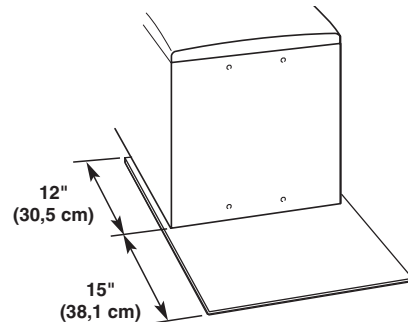
⚠ ADVERTENCIA

Peligro de Peso Excesivo

Use dos o más personas para mover y desinstalar la secadora.

No seguir esta instrucción puede ocasionar una lesión en la espalda u otro tipo de lesiones.

1. Desenchufe el cable de suministro eléctrico o desconecte el suministro de energía.
2. Cierre el suministro de gas.
3. Aleje la secadora de la pared lo suficiente para aflojar la abrazadera del ducto de escape. Afloje la abrazadera y quite cuidadosamente el ducto de escape de la salida de aire de la secadora.
4. Desconecte la línea flexible de suministro de gas de la secadora. Coloque cinta sobre los extremos abiertos de los accesorios de conexión de la línea de gas.
5. Aleje la secadora de la pared para que pueda ser inclinada sobre su parte posterior.
6. Proteja el piso con un pedazo de cartón grande del embalaje del pedestal. Ponga la secadora sobre su parte posterior (asegúrese de que el cable de suministro eléctrico no esté debajo de la secadora) de modo que el cartón esté debajo de todo el extremo posterior inferior de la secadora.



7. Vaya a "Instalación del pedestal".

La lavadora o la secadora está en su empaque

⚠ ADVERTENCIA

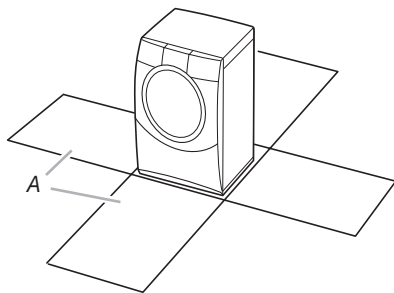
Peligro de Peso Excesivo

Use dos o más personas para mover la lavadora o la secadora.

No seguir esta instrucción puede ocasionar una lesión en la espalda u otro tipo de lesiones.

1. Coloque la lavadora o la secadora en su empaque cerca de su posición final. Corte el empaque de la siguiente manera:
Lavadora: Corte la película plástica a lo largo de la línea de puntos alrededor de la base. No quite el empaque.
Secadora: Corte el cartón alrededor de las esquinas superiores e inferiores a lo largo de las líneas de puntos. Coloque los 4 lados de cartón sobre el piso. Descarte el cartón superior y los postes esquineros.

IMPORTANTE: Deje la parte inferior del embalaje de cartón debajo de la secadora.



A. Lados del embalaje de cartón

2. Coloque la lavadora o secadora sobre su parte posterior.

NOTA: Cuando coloque la lavadora sobre su parte posterior, mantenga la tapa inferior sobre el piso. No quite la película plástica, los postes esquineros o la tapa superior. Estos artículos protegen el piso y la parte posterior de la lavadora.

Cuando ubica la secadora sobre su parte posterior, el piso y la parte posterior de la secadora están protegidos por las piezas de cartón.

INSTRUCCIONES DE INSTALACIÓN

Instalación del pedestal

Siga estas instrucciones para instalar el pedestal en una lavadora o secadora.

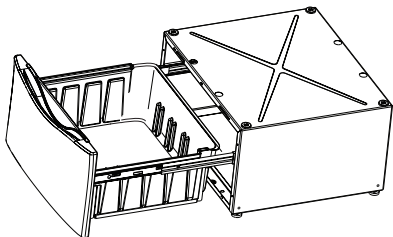
⚠ ADVERTENCIA

Peligro de Peso Excesivo

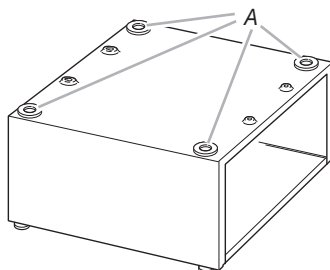
Use dos o más personas para mover e instalar el pedestal.

No seguir esta instrucción puede ocasionar una lesión en la espalda u otro tipo de lesiones.

1. Abra el cajón del pedestal tanto como sea posible y quite su contenido. Este paquete contiene 4 tornillos para lámina metálica de cabeza hexagonal #12 x 5/8" que se utilizan en el paso 5 y el divisor.

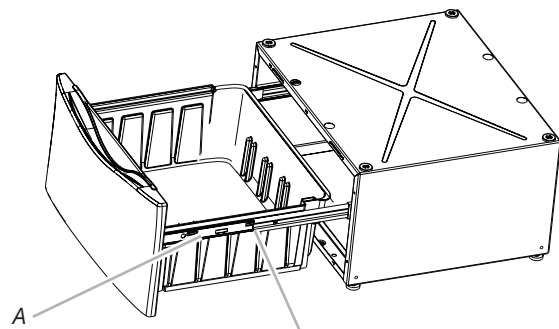


2. Asegúrese de que las cuatro almohadillas espaciadoras estén instaladas en la parte superior del pedestal.



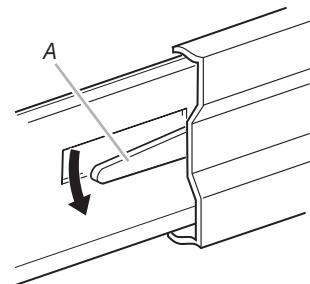
A. Almohadillas espaciadoras

3. Ubique las palancas en las guías del cajón a cada lado del mismo.



A. Guía del cajón
B. Palanca

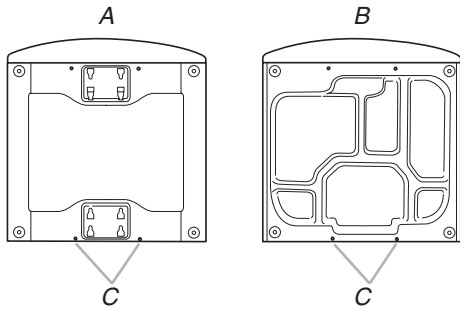
4. Jale la palanca hacia arriba en el lado izquierdo del cajón y al mismo tiempo empuje la palanca hacia abajo en el lado derecho. Mientras sostiene las palancas en su lugar, jale del cajón hasta sacarlo y apártelo. Empuje las guías hacia atrás dentro del pedestal.



A. Palanca (se muestra el lado derecho)

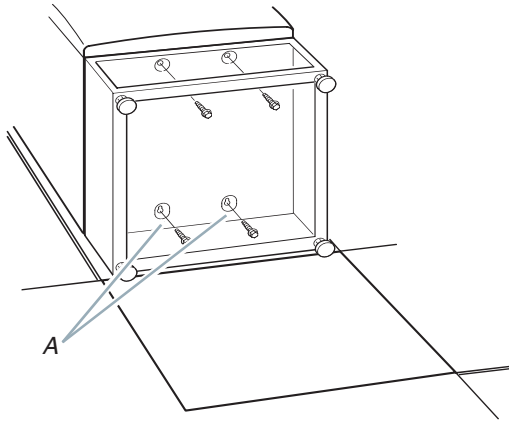
5. Si su lavadora o secadora tiene patas, retírelas. No instale las patas, que vienen con una nueva lavadora o secadora.

6. Instale parcialmente los 2 tornillos para lámina metálica de cabeza hexagonal #12 x 5/8" en los orificios inferiores. Deje un espacio de aproximadamente 3/8" (1 cm) entre la cabeza del tornillo y la parte inferior de la lavadora o secadora.



A. Parte inferior de la lavadora
B. Parte inferior de la secadora
C. Instale los tornillos

7. Incline el pedestal sobre su parte posterior y muévalo contra la parte inferior de la lavadora o de la secadora. Deslice las ranuras de cerradura del pedestal sobre los 2 tornillos inferiores que fueron parcialmente instalados.



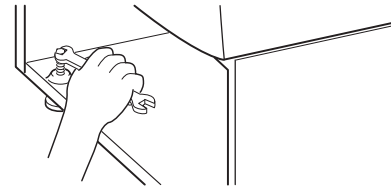
A. Tornillos inferiores en las ranuras de cerradura

8. Posicione el pedestal hacia la parte frontal de la lavadora o de la secadora e instale los otros 2 tornillos para lámina metálica de cabeza hexagonal. No los apriete completamente.
9. Alinee los lados del pedestal para que coincidan con los lados de la lavadora o secadora. Ajuste fuertemente los 4 tornillos de pedestal dentro de la abertura del cajón.
10. Incline la lavadora o secadora a su posición vertical. Quite y descarte el material de empaque incluyendo la película de plástico de la lavadora, los postes esquineros y la tapa superior.
11. Deslice la lavadora o la secadora cerca de su ubicación final.
12. Siga las Instrucciones de Instalación incluidas con su modelo para completar la instalación o reinstalar su lavadora o secadora (mangueras, ductos de escape, etc.)

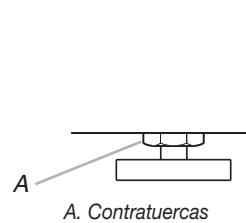
13. Nivele la lavadora o la secadora de lado a lado y de frente hacia atrás.

NOTA: Asegúrese de que las 4 patas del pedestal estén firmemente apoyadas en el piso.

Coloque un nivel en la parte superior. Ubique los tornillos de cabeza hexagonal de 1/4" en la parte superior de cada pata del pedestal. Dentro de la abertura del cajón, con un destornillador de carraca hexagonal o llave de boca de 1/4" ajuste las patas hacia arriba o hacia abajo según sea necesario para nivelar la lavadora o secadora.

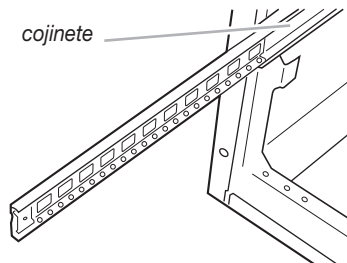


14. Cuando la lavadora o la secadora esté nivelada, utilice una llave de boca de 9/16" para ajustar firmemente las 4 contratuercas contra el pedestal. Las contratuercas deben estar ajustadas para evitar vibraciones.

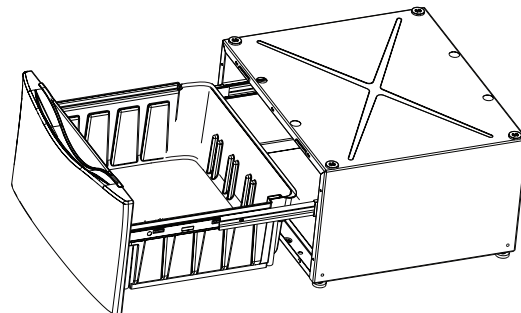


A. Contratuercas

15. Para volver a instalar el cajón, asegúrese primero de que las piezas ranuradas interiores de las guías del cajón estén completamente extendidas y que los cojinetes se hayan jalado hacia adelante en ambos lados.



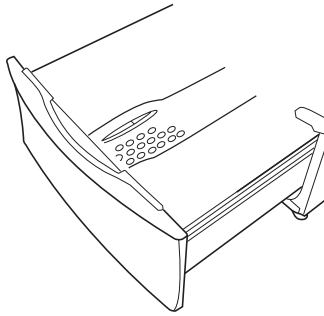
16. Alinee las piezas de las guías en el cajón con las piezas de las guías extendidas del pedestal y empuje las guías del cajón hacia adentro, hasta que encajen en su lugar.



17. Quite el divisor de la bolsa.

18. Coloque el divisor en el cajón en la ubicación deseada y cierre el cajón.

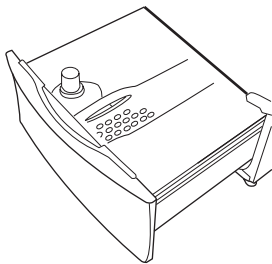
NOTA: El uso del divisor es opcional. Vea la sección "Uso del pedestal".



USO DEL PEDESTAL

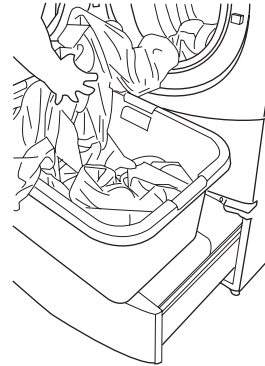
Su pedestal tiene varios usos.

El cajón puede usarse para almacenar detergente y otros suministros de lavandería y viene equipado con un divisor removible.



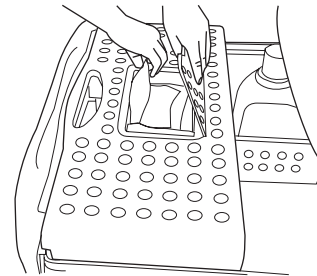
Estante para pedestal opcional (Disponible en algunos modelos)

El estante puede sostener un canasto de lavandería para ayudarlo a cargar y descargar la lavadora y la secadora.



El estante se puede deslizar de adelante hacia atrás o se puede sacar.

El estante cuenta con un compartimiento removible para almacenar hojas de suavizante para secadoras.



Antes de solicitar servicio técnico

Este pedestal debe instalarse solamente con la lavadora o secadora de carga frontal adecuada Kenmore® o Kenmore Elite®, Whirlpool®, KitchenAid® o Maytag®. Este pedestal debe funcionar según las instrucciones provistas con el Manual del propietario o el Manual de uso y cuidado de la lavadora o secadora de carga frontal Kenmore o Kenmore Elite, Whirlpool, KitchenAid o Maytag. Antes de solicitar servicio técnico, sírvase ubicar el número de modelo y serie para el pedestal y la lavadora o secadora de carga frontal correspondiente Kenmore o Kenmore Elite, Whirlpool, KitchenAid o Maytag.

Para un pedestal adquirido en Sears, para ser usado con una lavadora o secadora de carga frontal Kenmore o Kenmore Elite, se aplica la garantía para el pedestal de Kenmore. Para cualquier otro pedestal adquirido para ser usado con una lavadora o secadora de carga frontal Whirlpool, KitchenAid o Maytag, se aplica la garantía para el pedestal de Whirlpool Corporation.

GARANTÍA PARA EL PEDESTAL DE WHIRLPOOL CORPORATION

GARANTÍA LIMITADA DE UN AÑO

Durante un año a partir de la fecha de compra, siempre y cuando se dé a este electrodoméstico un uso y mantenimiento de conformidad con las instrucciones adjuntas o provistas con el producto y sea usado con la lavadora o la secadora de carga frontal adecuada de Whirlpool Corporation, Whirlpool o Whirlpool Canada (en lo sucesivo denominado "Whirlpool") se hará cargo del costo de las piezas de repuesto especificadas de fábrica y del trabajo de reparación para corregir defectos en los materiales o en la mano de obra. El servicio deberá ser suministrado por una compañía de servicio designada por Whirlpool.

WHIRLPOOL NO PAGARÁ POR LOS SIGUIENTES ARTÍCULOS

1. Visitas de servicio técnico para corregir la instalación de su electrodoméstico, para enseñarle a usar su electrodoméstico, para cambiar o reparar fusibles domésticos o para corregir la instalación eléctrica o de la tubería de la casa.
2. Reparaciones cuando su electrodoméstico se use de un modo diferente al doméstico normal de una familia.
3. Daños causados por accidente, alteración, uso indebido, abuso, incendio, inundación, actos fortuitos, instalación incorrecta, instalación que no esté de acuerdo con los códigos eléctricos o de plomería, o el empleo de productos no aprobados por Whirlpool.
4. Piezas de repuesto o gastos de reparación para electrodomésticos que se empleen fuera de los Estados Unidos o Canadá.
5. Recogida y entrega. Este electrodoméstico está diseñado para ser reparado en el hogar.
6. Reparaciones de piezas o sistemas como resultado de modificaciones no autorizadas que se hayan efectuado en el electrodoméstico.
7. Gastos de viaje y transporte para obtener servicio del producto en lugares remotos.
8. La remoción e instalación de su electrodoméstico si estuviera instalado en un lugar inaccesible o si no estuviera instalado de conformidad con las instrucciones de instalación publicadas.

EXCLUSIÓN DE GARANTÍAS IMPLÍCITAS; LIMITACIÓN DE RECURSOS

EXCLUSIÓN DE GARANTÍAS IMPLÍCITAS; LIMITACIÓN DE RECURSOS

EL ÚNICO Y EXCLUSIVO RECURSO DEL CLIENTE SEGÚN LOS TÉRMINOS DE ESTA GARANTÍA LIMITADA SERÁ EL DE REPARAR EL PRODUCTO SEGÚN SE ESTIPULA EN LA PRESENTE. LAS GARANTÍAS IMPLÍCITAS, INCLUYENDO LAS GARANTÍAS DE COMERCIABILIDAD O DE CAPACIDAD PARA UN PROPÓSITO PARTICULAR, SERÁN LIMITADAS A UN AÑO O AL PERÍODO MÁS CORTO PERMITIDO POR LEY. WHIRLPOOL NO SE RESPONSABILIZARÁ POR DAÑOS INCIDENTALES O CONSECUENTES. ALGUNOS ESTADOS Y PROVINCIAS NO PERMITEN LAS EXCLUSIONES O LIMITACIONES POR DAÑOS INCIDENTALES O CONSECUENTES, O LIMITACIONES ACERCA DE CUÁNTO DEBE DURAR UNA GARANTÍA IMPLÍCITA DE COMERCIABILIDAD O CAPACIDAD, DE MODO QUE LAS LIMITACIONES O EXCLUSIONES ARRIBA MENCIONADAS PUEDEN NO APLICARSE EN SU CASO. ESTA GARANTÍA LE OTORGA DERECHOS LEGALES ESPECÍFICOS Y ES POSIBLE QUE USTED TENGA TAMBIÉN OTROS DERECHOS QUE PUEDEN VARIAR DE UN ESTADO A OTRO O DE UNA PROVINCIA A OTRA.

Esta garantía no tiene vigor fuera de los cincuenta Estados Unidos y Canadá. Póngase en contacto con el distribuidor autorizado de Whirlpool para determinar si corresponde otra garantía. Si necesita servicio técnico, en EE.UU., llame al 1-800-422-1230. En Canadá, llame al 1-800-807-6777.

4/06

Guarde este libro y su comprobante de compra juntos para referencia futura. Usted deberá proporcionar el comprobante de la compra o una fecha de instalación para obtener servicio bajo la garantía.

Escriba la siguiente información acerca de su electrodoméstico principal para ayudarlo mejor a obtener asistencia o servicio técnico si alguna vez llegara a necesitarlo. Deberá tener a mano el número completo del modelo y de la serie. Usted puede encontrar esta información en la etiqueta con el número de modelo y de serie ubicada en el producto.

Nombre del distribuidor _____

Dirección _____

Número de teléfono _____

Número de modelo _____

Número de serie _____

Fecha de compra _____

GARANTÍA DEL PEDESTAL KENMORE®

GARANTÍA LIMITADA DE UN AÑO

Cuando este electrodoméstico haya sido instalado, operado y mantenido según las instrucciones provistas con el producto y haya sido usado con la lavadora o secadora de carga frontal adecuada de Kenmore®, si este producto falla por defectos de material o de mano de obra dentro de un año a partir de la fecha de compra, llame al 1-800-4-MY-HOME para gestionar la reparación libre de cargo. Si este electrodoméstico es empleado para algún otro uso que no sea el doméstico familiar, esta garantía sólo tiene vigencia por 90 días a partir de la fecha de compra.

ESTA GARANTÍA CUBRE SOLAMENTE LOS DEFECTOS DE MATERIAL Y MANO DE OBRA. SEARS NO PAGARÁ POR:

1. Los artículos no reutilizables que pueden gastarse por el uso normal, incluyendo, pero sin limitación, filtros, correas, focos y bolsas.
 2. Un técnico de servicio para enseñarle al usuario cómo instalar, operar o mantener el producto adecuadamente.
 3. Un técnico de servicio para limpiar o mantener este producto.
 4. Daños a este producto o fallas del mismo en caso de no ser instalado, operado o mantenido conforme a todas las instrucciones provistas con el producto.
 5. Daños a este producto o fallas del mismo como resultado de accidente, abuso, uso indebido o un uso diferente de aquel para el cual fue creado.
 6. Daños a este producto o fallas del mismo causados por el uso de detergentes, limpiadores, productos químicos o utensilios diferentes de los recomendados en todas las instrucciones provistas con el producto.
 7. Daños a piezas o sistemas o fallas de los mismos como resultado de modificaciones no autorizadas que se hayan efectuado en este producto.
-

EXCLUSIÓN DE GARANTÍAS IMPLÍCITAS; LIMITACIÓN DE RECURSOS

El único y exclusivo recurso del cliente según los términos de esta garantía limitada será el de reparar el producto según se estipula en la presente. Las garantías implícitas, incluyendo las garantías de comerciabilidad o de capacidad para un propósito particular, serán limitadas a un año o al período más corto permitido por ley. Sears no se hará responsable por daños incidentales o consecuentes. Algunos estados y provincias no permiten la exclusión o limitación de daños incidentales o consecuentes, o limitaciones acerca de cuánto debe durar una garantía implícita de comerciabilidad o capacidad, de modo que las limitaciones o exclusiones arriba mencionadas pueden no aplicarse en su caso.

Esta garantía se aplica sólo mientras este producto se usa en los Estados Unidos y Canadá.

Esta garantía le otorga derechos legales específicos, y es posible que usted tenga también otros derechos, los cuales varían de un estado a otro.

REGISTRO DEL PRODUCTO

En el espacio a continuación, anote el número completo de modelo y serie así como la fecha de compra. Usted puede encontrar esta información en la etiqueta con el número de modelo y de serie ubicada en el producto. Tenga esta información disponible para facilitarle la obtención de asistencia o servicio con prontitud siempre que llame a Sears con respecto a su electrodoméstico.

Número de modelo _____

Número de serie _____

Fecha de compra _____

Guarde estas instrucciones y su comprobante de compra para referencia futura.

TABLE DES MATIÈRES

SÉCURITÉ DU PIÉDESTAL	17	INSTRUCTIONS D'INSTALLATION	20
EXIGENCES D'INSTALLATION	18	Installation du piédestal	20
Outillage et pièces	18	UTILISATION DU PIÉDESTAL	22
Exigences d'emplacement	18	GARANTIE	23
Avant l'installation du piédestal	18		

SÉCURITÉ DU PIÉDESTAL

Votre sécurité et celle des autres est très importante.

Nous donnons de nombreux messages de sécurité importants dans ce manuel et sur votre appareil ménager. Assurez-vous de toujours lire tous les messages de sécurité et de vous y conformer.



Voici le symbole d'alerte de sécurité.

Ce symbole d'alerte de sécurité vous signale les dangers potentiels de décès et de blessures graves à vous et à d'autres.

Tous les messages de sécurité suivront le symbole d'alerte de sécurité et le mot "DANGER" ou "AVERTISSEMENT". Ces mots signifient :

! DANGER

Risque possible de décès ou de blessure grave si vous ne suivez pas immédiatement les instructions.

! AVERTISSEMENT

Risque possible de décès ou de blessure grave si vous ne suivez pas les instructions.

Tous les messages de sécurité vous diront quel est le danger potentiel et vous disent comment réduire le risque de blessure et ce qui peut se produire en cas de non-respect des instructions.

EXIGENCES D'INSTALLATION

Outillage et pièces

Rassembler les outils et pièces nécessaires avant de commencer l'installation. Lire et suivre les instructions de sécurité fournies avec les outils indiqués ici.

Outillage nécessaire

- couteau utilitaire
- cliquet à tête hexagonale ou clé plate de 1/4" (pour les pieds de nivellement)
- cliquet à tête hexagonale de 5/16" ou tourne-écrou (pour les vis à tôle)
- clé plate de 9/16" (pour les contre-écrous des pieds de nivellement)
- pince ou pince à joint coulissant (pour les tuyaux d'évacuation de l'alimentation)
- niveau
- seau

Pièces fournies

Retirer le sachet de pièces du tiroir du piédestal. Ce sachet contient 4 vis de tôle n° 12 x 5/8" à tête hexagonale et une cloison de tiroir.

Exigences d'emplacement

⚠ AVERTISSEMENT



Risque d'explosion

Garder les matières et les vapeurs inflammables, telle que l'essence, loin de la sècheuse.

Placer la sècheuse au moins 46 cm (18 po) au-dessus du plancher pour une installation dans un garage.

Le non-respect de ces instructions peut causer un décès, une explosion ou un incendie.

NOTE : Si l'ensemble de la sècheuse et du piédestal se trouve dans un garage, il faut ajouter 3" (7,6 cm) en dessous du piédestal pour que la sècheuse soit à 18" (46 cm) au-dessus du plancher du garage.

Avant l'installation du piédestal

IMPORTANT : Si la sècheuse et la laveuse ont déjà été installées, elles doivent être désinstallées.

Si l'on a besoin de désinstaller la laveuse ou la sècheuse, voir les Instructions d'installation fournies avec le modèle pour les outils nécessaires.

Désinstallation de la laveuse

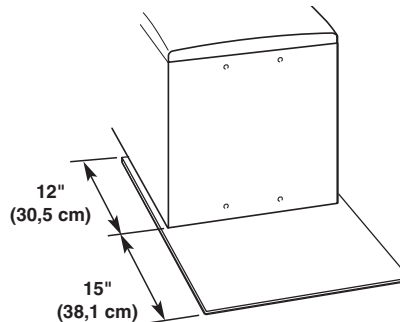
⚠ AVERTISSEMENT

Risque du poids excessif

Utiliser deux ou plus de personnes pour déplacer et désinstaller la laveuse.

Le non-respect de cette instruction peut causer une blessure au dos ou d'autre blessure.

1. Fermer les robinets d'eau chaude et d'eau froide.
2. Débrancher le cordon d'alimentation électrique ou déconnecter la source de courant électrique.
3. Desserrer lentement les tuyaux de remplissage sur les robinets pour relâcher la pression d'eau. Utiliser une éponge ou un essuie-tout pour absorber l'eau qui s'est déversée.
4. Retirer les tuyaux de remplissage d'eau chaude et d'eau froide de l'arrière de la laveuse. Vidanger l'eau provenant des tuyaux dans un seau.
5. Appuyer sur les extrémités de la bride du tuyau d'évacuation à l'aide de la pince pour ouvrir et faire glisser la bride le long du tuyau. Déconnecter le tuyau d'évacuation de la laveuse et vidanger toute eau restée dans le tuyau dans un seau.
6. Éloigner la laveuse du mur afin de pouvoir la faire basculer et la poser sur le dos.
7. Protéger le sol à l'aide d'un grand morceau de carton découpé dans le carton du piédestal. Allonger la laveuse sur le dos (s'assurer que le cordon d'alimentation n'est pas sous la laveuse) de manière à ce que le carton protège la totalité de l'arête inférieure arrière de la laveuse. Une petite quantité d'eau supplémentaire sera évacuée de la laveuse lorsqu'on la basculera vers l'arrière.



8. Se reporter à la section "Installation du piédestal".

Désinstallation de la sècheuse électrique

1. Débrancher le cordon d'alimentation électrique.

⚠ AVERTISSEMENT



Risque de choc électrique

Déconnecter la source de courant électrique avant l'entretien.

Replacer pièces et panneaux avant de faire la remise en marche.

Le non-respect de ces instructions peut causer un décès ou un choc électrique.

2. Débrancher les câbles si la sècheuse est reliée directement.

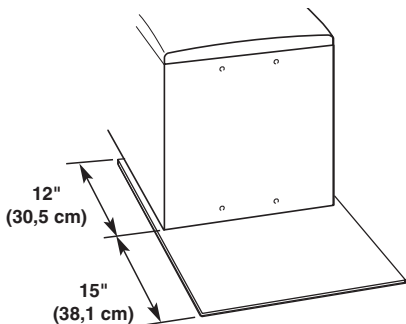
⚠ AVERTISSEMENT

Risque du poids excessif

Utiliser deux ou plus de personnes pour déplacer et désinstaller la sècheuse.

Le non-respect de cette instruction peut causer une blessure au dos ou d'autre blessure.

3. Éloigner suffisamment la sècheuse du mur pour pouvoir desserrer la bride d'aération. Desserrer la bride et retirer avec précaution le conduit d'évacuation de la bouche d'évacuation de la sècheuse.
4. Éloigner la sècheuse du mur afin de pouvoir la faire basculer et la poser sur le dos.
5. Protéger le sol à l'aide d'un grand morceau de carton découpé dans le carton du piédestal. Allonger la sècheuse sur le dos (s'assurer que le cordon d'alimentation n'est pas sous la sècheuse) de manière à ce que le carton protège la totalité de l'arête inférieure arrière de la sècheuse.



6. Se reporter à la section "Installation du piédestal".

Désinstallation de la sècheuse à gaz

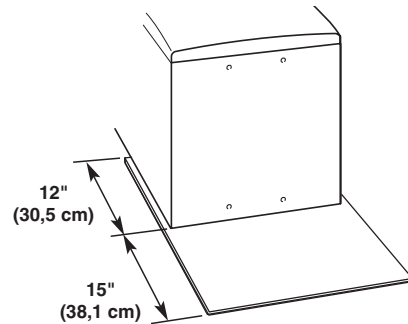
⚠ AVERTISSEMENT

Risque du poids excessif

Utiliser deux ou plus de personnes pour déplacer et désinstaller la sècheuse.

Le non-respect de cette instruction peut causer une blessure au dos ou d'autre blessure.

1. Débrancher le cordon d'alimentation électrique ou déconnecter la source de courant électrique.
2. Couper l'alimentation en gaz.
3. Éloigner suffisamment la sècheuse du mur pour pouvoir desserrer la bride d'aération. Desserrer la bride et retirer avec précaution le conduit d'évacuation de la bouche d'évacuation de la sècheuse.
4. Déconnecter le tuyau flexible d'alimentation en gaz de la sècheuse. Placer un morceau de ruban adhésif sur les extrémités ouvertes des raccords à compression de la canalisation de gaz.
5. Éloigner la sècheuse du mur afin de pouvoir la faire basculer et la poser sur le dos.
6. Protéger le sol à l'aide d'un grand morceau de carton découpé dans le carton du piédestal. Allonger la sècheuse sur le dos (s'assurer que le cordon d'alimentation n'est pas sous la sècheuse) de manière à ce que le carton protège la totalité de l'arête inférieure arrière de la sècheuse.



7. Se reporter à la section "Installation du piédestal".

La laveuse ou la sècheuse est dans son emballage

⚠ AVERTISSEMENT

Risque du poids excessif

Utiliser deux ou plus de personnes pour déplacer la laveuse ou la sècheuse.

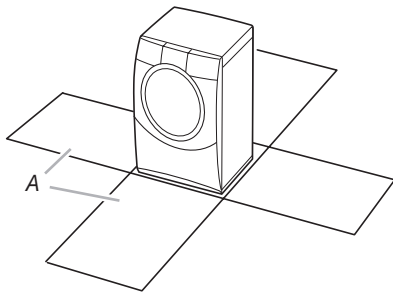
Le non-respect de cette instruction peut causer une blessure au dos ou d'autre blessure.

1. Placer la laveuse ou la sècheuse emballée à son emplacement final. Découper l'emballage comme suit :
Laveuse : Découper la pellicule de plastique le long de la ligne de pointillés autour de la base. Ne pas enlever l'emballage.
Sècheuse : Découper le carton autour du dessus jusqu'aux

coins le long de la ligne de pointillés. Disposer les 4 côtés du carton sur le sol. Jeter le dessus du carton et les coins de protection.

IMPORTANT : Laisser le fond du carton sous la sècheuse.

2. Allonger la laveuse ou la sècheuse sur le dos.



A. Côtés du carton

NOTE : Lorsqu'on allonge la laveuse sur le dos, maintenir l'embout inférieur sur le sol. Ne pas enlever la pellicule de plastique, les coins protecteurs, ni l'embout supérieur. Ces derniers protègent le sol et l'arrière de la laveuse.

Lorsqu'on allonge la sècheuse sur le dos, le sol et l'arrière de la sècheuse sont protégés par les morceaux de carton.

INSTRUCTIONS D'INSTALLATION

Installation du piédestal

Suivre ces instructions pour installer le piédestal sur une laveuse ou une sècheuse.

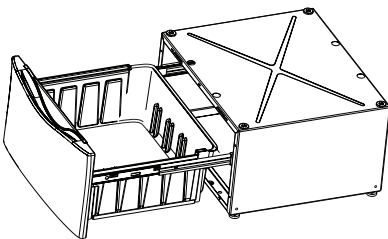
AVERTISSEMENT

Risque du poids excessif

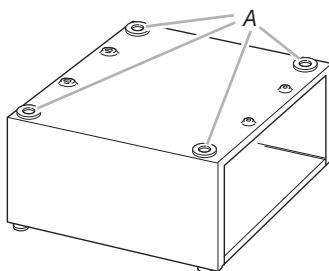
Utiliser deux ou plus de personnes pour déplacer et installer le piédestal.

Le non-respect de cette instruction peut causer une blessure au dos ou d'autre blessure.

1. Ouvrir le tiroir du piédestal aussi loin que possible et vider son contenu. Ce sachet contient 4 vis de tôlerie n° 12 x 5/8" à tête hexagonale utilisées à l'étape 5, et la cloison de tiroir.

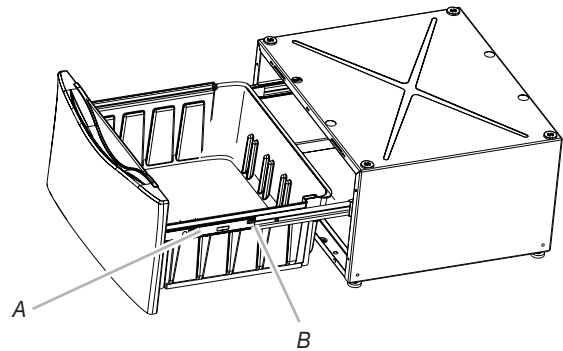


2. Vérifier que les quatre cales d'espacement sont installées sur la partie supérieure du piédestal.



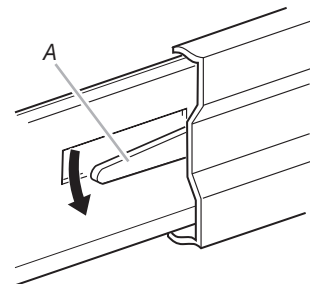
A. Cales d'espacement

3. Localiser les leviers sur les glissières du tiroir de chaque côté du tiroir.



A. Glissière du tiroir
B. Levier

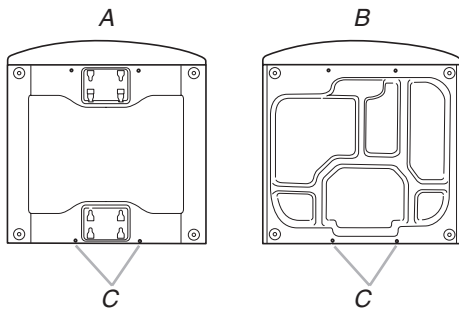
4. Tirer le levier vers le haut du côté gauche du tiroir tout en poussant le levier vers le bas sur le côté droit. Tout en maintenant les leviers en position, tirer complètement le tiroir pour le sortir et le mettre de côté. Pousser les glissières pour les réinstaller dans le piédestal.



A. Levier (côté droit illustré)

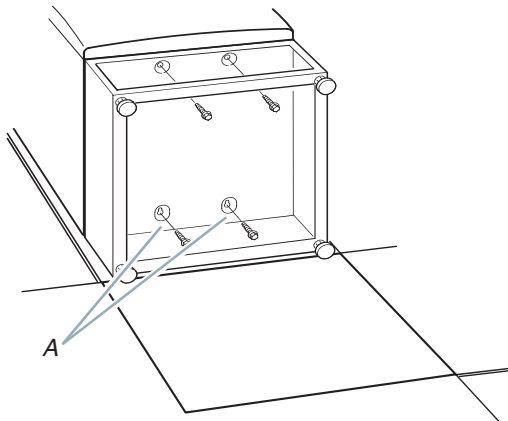
5. Si des pieds sont installés sur la laveuse ou la sècheuse, les enlever. Ne pas installer les pieds livrés avec une nouvelle laveuse ou une nouvelle sècheuse.

6. Installer partiellement les 2 vis n° 12 x 5/8" à tête hexagonale pour tôle dans les trous inférieurs. Laisser un espace d'environ 3/8" (1 cm) entre la tête de la vis et le fond de la laveuse ou de la sécheuse.



A. Fond de la laveuse
B. Fond de la sécheuse
C. Installer les vis

7. Incliner le piédestal sur sa partie arrière et le déplacer contre le fond de la laveuse ou de la sécheuse. Faire glisser les trous en poire du piédestal sur les 2 vis inférieures partiellement installées.



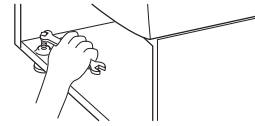
A. Vis inférieures dans les trous en poire

8. Positionner le piédestal vers l'avant de la laveuse ou de la sécheuse et installer les 2 vis à tête hexagonale pour tôle restantes. Ne pas serrer complètement.
9. Aligner les côtés du piédestal pour qu'ils soient de niveau avec les côtés de la laveuse ou de la sécheuse. Atteindre l'intérieur de l'ouverture du tiroir du piédestal et serrer solidement les 4 vis du piédestal.
10. Ramener la laveuse ou la sécheuse à sa position verticale initiale en l'inclinant. Retirer et jeter l'emballage incluant la pellicule en plastique de la laveuse, les coins de protection et l'embout supérieur.
11. Faire glisser la laveuse ou la sécheuse à son emplacement final.
12. Suivre les Instructions d'installation fournies avec votre modèle pour terminer l'installation ou la réinstallation de la laveuse ou de la sécheuse (tuyaux, évacuation, etc.)

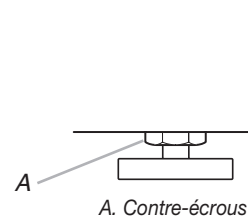
13. Mettre la laveuse ou la sécheuse d'aplomb de façon latérale puis de l'avant vers l'arrière.

NOTE : S'assurer que les 4 pieds de piédestal sont bien en contact avec le plancher.

Placer un niveau sur la partie supérieure. Localiser les vis de 1/4" à tête hexagonale en haut de chaque pied de piédestal. Atteindre l'intérieur du piédestal et utiliser un cliquet de 1/4" à tête hexagonale ou une clé plate pour ajuster les pieds vers le haut ou vers le bas de façon à établir l'aplomb de la laveuse ou de la sécheuse.

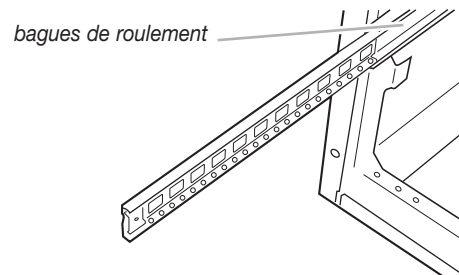


14. Une fois la laveuse ou la sécheuse d'aplomb, utiliser une clé plate de 5/16" pour fixer solidement les 4 contre-écrous contre le piédestal. Les contre-écrous doivent être serrés pour empêcher les vibrations.

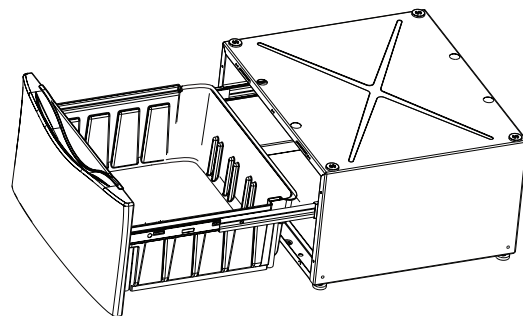


A. Contre-écrous

15. Pour réinstaller le tiroir, vérifier que les glissières du tiroir (partie la plus intérieure) sont complètement déployées et que les bagues de roulement sont tirées vers l'avant des deux côtés.



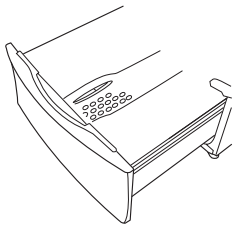
16. Aligner les glissières sur le tiroir avec les glissières retirées du piédestal, et pousser les glissières du tiroir jusqu'à ce qu'elles s'enclenchent.



17. Retirer la cloison du sachet.

18. Placer la cloison dans le tiroir à l'endroit désiré. Fermer le tiroir.

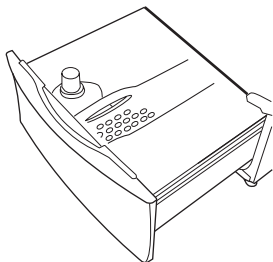
NOTE : L'utilisation de la cloison est facultative. Voir la section "Utilisation du piédestal".



UTILISATION DU PIÉDESTAL

Votre piédestal peut remplir différentes fonctions.

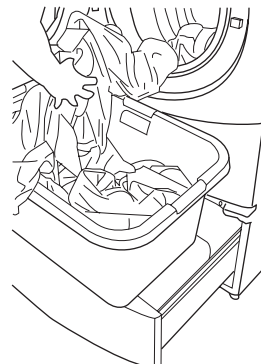
Le tiroir peut être utilisé pour remiser le détergent et autres articles nécessaires pour le lavage en machine. Il est équipé de cloison amovible.



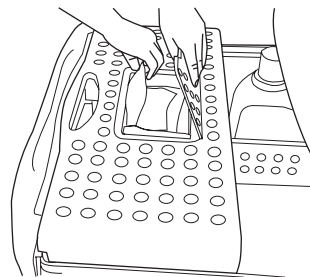
Étagère pour piédestal (option) (Disponible sur certains modèles)

L'étagère peut soutenir un panier à linge pour faciliter le chargement et le déchargement de la laveuse et de la sècheuse.

L'étagère peut également être glissée d'avant en arrière ou tout simplement enlevée.



L'étagère est équipée d'un compartiment amovible pour remiser les feuilles d'assouplissant pour sècheuse.



Avant de faire un appel de service

Ce piédestal doit être installé seulement avec la laveuse ou sècheuse à chargement frontal appropriée de marque Kenmore® ou Kenmore Elite®, Whirlpool®, KitchenAid® ou Maytag®. Ce piédestal doit être utilisé conformément aux instructions du Manuel du propriétaire ou du Guide d'utilisation et d'entretien de votre laveuse ou sècheuse à chargement frontal de marque Kenmore ou Kenmore Elite, Whirlpool, KitchenAid, ou Maytag. Avant de faire un appel de service, veuillez repérer les numéros de modèle et de série pour le piédestal et la laveuse ou sècheuse correspondante à chargement frontal de marque Kenmore ou Kenmore Elite, Whirlpool, KitchenAid ou Maytag.

Pour un piédestal acheté chez Sears pour utilisation avec une laveuse ou sècheuse à chargement frontal de marque Kenmore ou Kenmore Elite, c'est la garantie du piédestal Kenmore qui s'applique. Pour tout autre piédestal acheté pour utilisation avec une laveuse ou sècheuse à chargement frontal de marque Whirlpool, KitchenAid ou Maytag, c'est la garantie du piédestal Whirlpool Corporation qui s'applique.

GARANTIE DU PIÉDESTAL WHIRLPOOL CORPORATION

GARANTIE LIMITÉE DE UN AN

Pendant un an à compter de la date d'achat, lorsque cet appareil ménager est utilisé et entretenu conformément aux instructions jointes à ou fournies avec le produit et utilisé avec la laveuse ou sècheuse à chargement frontal Whirlpool Corporation appropriée, Whirlpool ou Whirlpool Canada (ci-après désignées "Whirlpool") paiera pour les pièces de rechange spécifiées par l'usine et la main-d'œuvre pour corriger les vices de matériaux ou de fabrication. Le service doit être fourni par une compagnie de service désignée par Whirlpool.

WHIRLPOOL NE PRENDRA PAS EN CHARGE

1. Les visites de service pour rectifier l'installation de l'appareil, montrer à l'utilisateur comment utiliser l'appareil, remplacer ou réparer des fusibles ou rectifier le câblage ou la plomberie du domicile.
2. Les réparations lorsque l'appareil est utilisé à des fins autres que l'usage unifamilial normal.
3. Les dommages imputables à : accident, modification, usage impropre ou abusif, incendie, inondation, actes de Dieu, installation fautive ou installation non conforme aux codes d'électricité ou de plomberie, ou l'utilisation de produits non approuvés par Whirlpool.
4. Le coût des pièces de rechange et de la main-d'œuvre pour les appareils utilisés hors des États-Unis ou du Canada.
5. Le ramassage et la livraison. Cet appareil est conçu pour être réparé à domicile.
6. Les réparations aux pièces ou systèmes résultant d'une modification non autorisée faite à l'appareil.
7. Les frais de voyage et de transport pour le service d'un produit dans les régions éloignées.
8. La dépose et la réinstallation de votre appareil si celui-ci est installé dans un endroit inaccessible ou n'est pas installé conformément aux instructions d'installation fournies.

CLAUSE D'EXONÉRATION DE RESPONSABILITÉ AU TITRE DES GARANTIES IMPLICITES; LIMITATION DES RECOURS

CLAUSE D'EXONÉRATION DE RESPONSABILITÉ AU TITRE DES GARANTIES IMPLICITES; LIMITATION DES RECOURS LE SEUL ET EXCLUSIF RECOURS DU CLIENT DANS LE CADRE DE LA PRÉSENTE GARANTIE LIMITÉE CONSISTE EN LA RÉPARATION PRÉVUE CI-DESSUS. LES GARANTIES IMPLICITES, Y COMPRIS LES GARANTIES APPLICABLES DE QUALITÉ MARCHANDE ET D'APTITUDE À UN USAGE PARTICULIER, SONT LIMITÉES À UN AN OU À LA PLUS COURTE PÉRIODE AUTORISÉE PAR LA LOI. WHIRLPOOL N'ASSUME AUCUNE RESPONSABILITÉ POUR LES DOMMAGES FORTUITS OU INDIRECTS. CERTAINES JURIDICTIONS NE PERMETTENT PAS L'EXCLUSION OU LA LIMITATION DES DOMMAGES FORTUITS OU INDIRECTS, OU LES LIMITATIONS DE LA DURÉE DES GARANTIES IMPLICITES DE QUALITÉ MARCHANDE OU D'APTITUDE À UN USAGE PARTICULIER, DE SORTE QUE CES EXCLUSIONS OU LIMITATIONS PEUVENT NE PAS S'APPLIQUER DANS VOTRE CAS. CETTE GARANTIE VOUS CONFÈRE DES DROITS JURIDIQUES SPÉCIFIQUES ET VOUS POUVEZ ÉGALEMENT JOUIR D'AUTRES DROITS QUI PEUVENT VARIER D'UNE JURIDICTION À UNE AUTRE.

À l'extérieur du Canada et des 50 États des États-Unis, cette garantie ne s'applique pas. Contacter votre marchand Whirlpool autorisé pour déterminer si une autre garantie s'applique. Pour le service aux États-Unis, composer le 1-800-422-1230.

Au Canada, composer le 1-800-807-6777.

4/06

Conservez ce manuel et votre reçu de vente pour référence ultérieure. Pour l'entretien sous garantie, vous devez présenter un document prouvant la date d'achat ou d'installation.

Inscrivez les renseignements suivants au sujet de votre gros appareil ménager pour mieux vous aider à obtenir assistance ou réparation en cas de besoin. Vous devrez connaître le numéro de modèle et le numéro de série au complet. Vous trouverez ces renseignements sur la plaque signalétique située sur le produit.

Nom du marchand _____

Adresse _____

Numéro de téléphone _____

Numéro de modèle _____

Numéro de série _____

Date d'achat _____

GARANTIE DU PIÉDESTAL KENMORE®

GARANTIE LIMITÉE DE UN AN

Lorsqu'il est installé, utilisé et entretenu conformément à toutes les instructions fournies avec le produit et utilisé avec la laveuse ou sècheuse appropriée à chargement frontal Kenmore®, si cet appareil ménager fait défaut par suite d'un vice de matériau ou de fabrication au cours de l'année qui suit la date d'achat, composer le 1-800-4-MY-HOME pour obtenir une réparation gratuite. Si cet appareil ménager fonctionne à toute autre fin que l'utilisation familiale privée, la présente garantie ne s'appliquera que pendant 90 jours à partir de la date d'achat.

LA PRÉSENTE GARANTIE COUVRE UNIQUEMENT LES VICES DE MATÉRIAUX ET DE FABRICATION. SEARS NE PRENDRA PAS EN CHARGE :

1. Les pièces courantes qui peuvent s'user suite à une utilisation normale, notamment les filtres, courroies, ampoules et sacs.
2. L'intervention d'un technicien pour montrer à l'utilisateur comment installer, utiliser et entretenir correctement le produit.
3. L'intervention d'un technicien pour nettoyer ou entretenir ce produit.
4. L'endommagement ou les défauts du produit si celui-ci n'est pas installé, utilisé ou entretenu conformément à toutes les instructions fournies avec le produit.
5. L'endommagement ou les défauts du produit résultant d'accident, usage impropre ou abusif ou utilisation autre que pour laquelle il est destiné.
6. L'endommagement ou les défauts du produit causés par l'utilisation de détergents, agents de nettoyage, produits chimiques ou ustensiles autres que ceux recommandés dans toutes les instructions fournies avec le produit.
7. L'endommagement ou les défauts des pièces ou systèmes résultant d'une modification non autorisée faite au produit.

CLAUSE D'EXONÉRATION DE RESPONSABILITÉ AU TITRE DES GARANTIES IMPLICITES; LIMITATION DES RECOURS

Le seul et exclusif recours du client dans le cadre de la présente garantie limitée consiste en la réparation prévue ci-dessus. Les garanties implicites, y compris les garanties applicables de qualité marchande et d'aptitude à un usage particulier, sont limitées à un an ou à la plus courte période autorisée par la loi.

Sears n'assume aucune responsabilité pour les dommages fortuits ou indirects. Certains États ou certaines provinces ne permettent pas l'exclusion ou la limitation des dommages fortuits ou indirects, ou la limitation de la durée des garanties implicites de qualité marchande ou d'aptitude à un usage particulier, de sorte que cette exclusion ou limitation peut ne pas être applicable dans votre cas.

Cette garantie s'applique seulement lorsque ce produit est utilisé aux États-Unis et au Canada.

Cette garantie vous confère des droits juridiques spécifiques et vous pouvez également jouir d'autres droits qui peuvent varier d'un État à l'autre.

ENREGISTREMENT DU PRODUIT

Dans l'espace ci-dessous, inscrire les numéros de modèle et de série complets et la date d'achat. Vous trouverez ces renseignements sur la plaque signalétique située sur le produit. Gardez ces renseignements à disposition pour obtenir plus rapidement assistance ou service lorsque vous communiquez avec Sears au sujet de votre appareil ménager.

Numéro de modèle _____

Numéro de série _____

Date d'achat _____

Conservez ces instructions et votre reçu de vente pour référence ultérieure.

KITCHENAID and ENSEMBLE are trademarks of KitchenAid U.S.A.

KENMORE ELITE, HE², HE^{2t}, HE³, HE^{3t}, HE⁴, HE^{4t}, HE⁵, and HE^{5t} are trademarks of Sears, Roebuck and Co.

WHIRLPOOL, duet, duet^{HT} and duet^{SPORT} are trademarks of Whirlpool, U.S.A.

MAYTAG and the "M" Symbol are registered trademarks of Maytag Limited.

All other marks are trademarks of Maytag Corporation.

KITCHENAID y ENSEMBLE son marcas de comercio de KitchenAid, U.S.A.

KENMORE ELITE, HE², HE^{2t}, HE³, HE^{3t}, HE⁴, HE^{4t}, HE⁵, y HE^{5t} son marcas de comercio de Sears, Roebuck and Co.

WHIRLPOOL, duet, duet^{HT} y duet^{SPORT} son marcas de comercio de Whirlpool, U.S.A.

MAYTAG y la "M" son marcas registradas de Maytag Limited.

Todas las otras marcas son propiedad de Maytag Corporation.

KITCHENAID et ENSEMBLE sont des marques de commerce de KitchenAid, USA.

KENMORE ELITE, Elite, HE², HE^{2t}, HE³, HE^{3t}, HE⁴, HE^{4t}, HE⁵, et HE^{5t} sont des marques de commerce de Sears, Roebuck and Co.

WHIRLPOOL, duet, duet^{HT} et duet^{SPORT} sont des marques de commerce de Whirlpool, USA.

MAYTAG et le symbole "M" sont des marques de commerce déposées de Maytag Limited.

Toutes les autres marques de commerce appartiennent à Maytag Corporation.

Printed in U.S.A.

Impreso en EE.UU.

Imprimé aux É-U.

09/2007

W10163294A

© 2007

All rights reserved./Todos los derechos reservados./Tous droits réservés.

Free Manuals Download Website

<http://myh66.com>

<http://usermanuals.us>

<http://www.somanuals.com>

<http://www.4manuals.cc>

<http://www.manual-lib.com>

<http://www.404manual.com>

<http://www.luxmanual.com>

<http://aubethermostatmanual.com>

Golf course search by state

<http://golfingnear.com>

Email search by domain

<http://emailbydomain.com>

Auto manuals search

<http://auto.somanuals.com>

TV manuals search

<http://tv.somanuals.com>