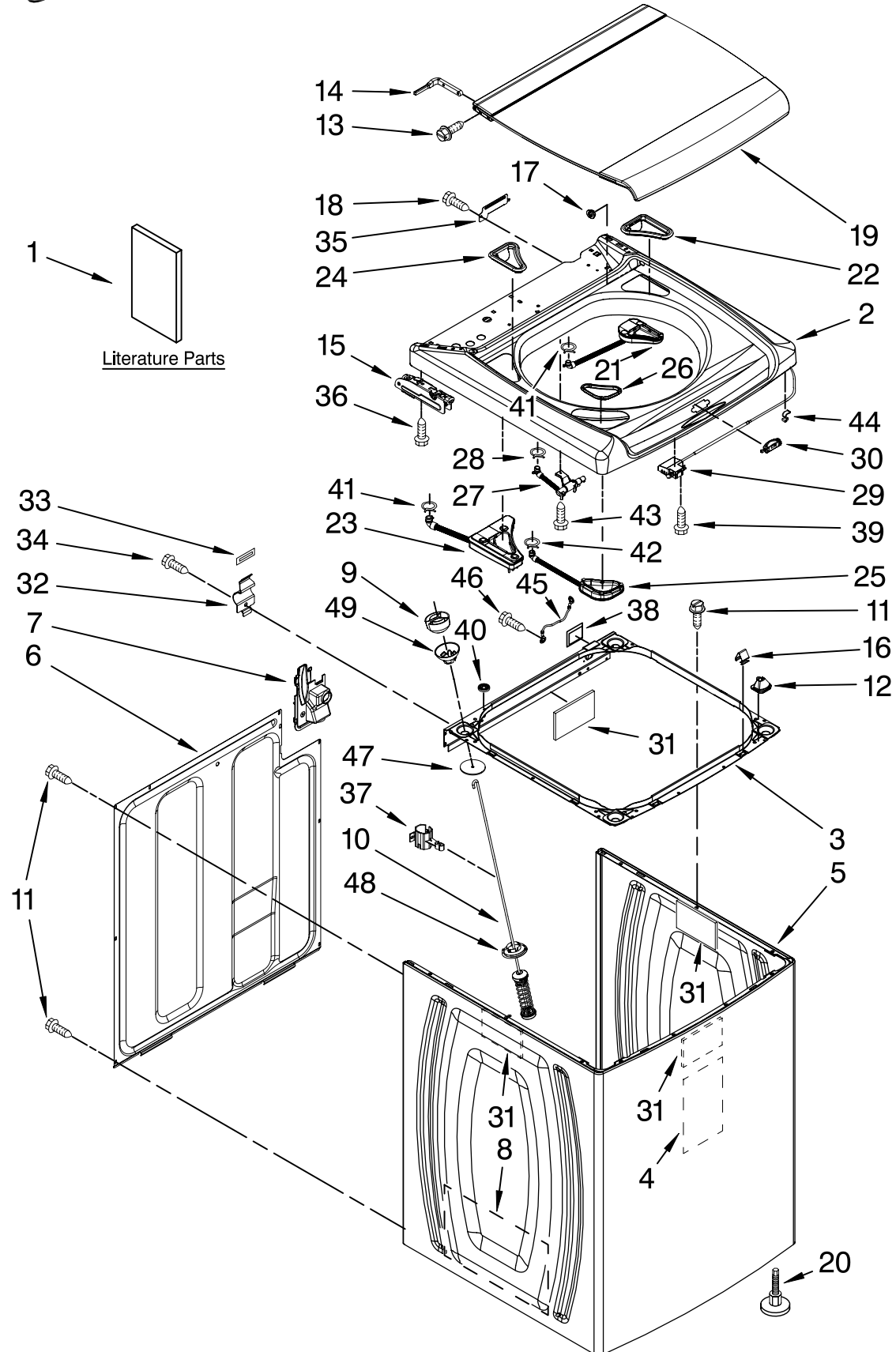




TOP AND CABINET PARTS

For Models: WTW6600SW3, WTW6600SG3, WTW6600SB3
(White) (Biscuit) (Black)

AUTOMATIC WASHER



FOR ORDERING INFORMATION REFER TO PARTS PRICE LIST

TOP AND CABINET PARTS

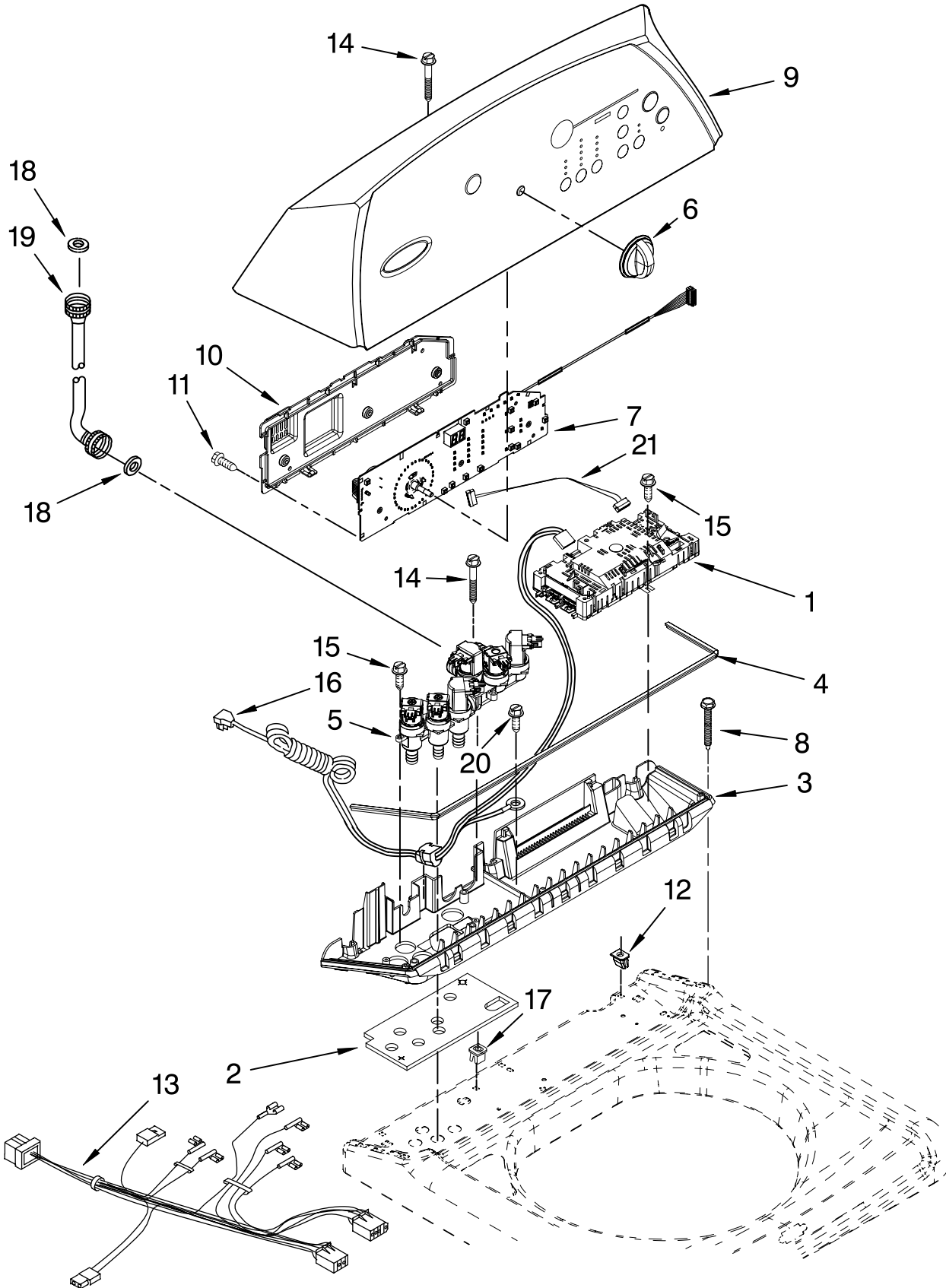
For Models: WTW6600SW3, WTW6600SG3, WTW6600SB3
(White) (Biscuit) (Black)

Illus. No.	Part No.	DESCRIPTION	Illus. No.	Part No.	DESCRIPTION	Illus. No.	Part No.	DESCRIPTION
1		Literature Parts	14		Hinge Wire (2)	26		Bezel, Detergent Dispenser
	W10113000	Use & Care Guide		8563965	(L.H.)		8564979	White
	W10026571	Tech Sheet		8572974	(R.H.)		W10045190	Biscuit
	W10106480	Quick Start Guide	15		Hinge, Spring Assembly (Glass Lid)		W10045210	Elephant
	8577781	Wiring Diagram		8563962	(Left)	27	W10106990	Nozzle Assembly, Fresh Water
	W10165664	Energy Guide		8563963	(Right)	28	371503	Clamp, Hose
2		Top	16	8563785	Lock, Top-Front (2)	29	W10059230	Lock Assembly, Lid
	8565314	White	17	W10052730	Bearing, Lid Hinge (2)	30	8572019	White
	8565315	Biscuit		3390647	Screw, 8-18 x 1/2		8563939	Biscuit
	W10053420	Black	18		Lid, Glass Assembly		W10052520	Black
3	W10162416	Frame Assembly, Cabinet Top (Includes Items 31 & 38)	19	W10131139	Brilliant White Aluminum	31	8564458	Absorber, Impact
4	8576784	Sound Absorber, Cabinet		W10131140	Gold Dust	32	8564456	Hinge, Top (2)
5		Cabinet		W10131141	Black	33	18849	Pad, Top Hinge (2)
	8566156	White	20	8578826	Foot Assembly, Leveling (4)	34	343641	Screw, 10-16 x 1/2 (2)
	8566157	Biscuit	21	W10059150	Dispenser, Fabric Softener	35	8563941	Cover, Harness
	W10050330	Black	22		Bezel, Fabric Softener Dispenser	36	693995	Screw, 8-18 x 3/8
6	8566090	Panel, Rear		8566210	White	37	8543784	Bracket, Drain Hose
7	W10160572	Retainer, Drain Hose Storage		8580016	Biscuit	38	8578386	Shield, Wire Harness
8	3976348	Sound Absorber, Cabinet (2)		8580017	Elephant	39	8281136	Screw, 10-16 x 3/4
9	W10111536	Ball, Suspension (Set Of 4 - Includes Item 49)	23	W10161865	Dispenser, Stain Remover	40	8576476	Spacer, Rear (Cabinet/Top)
10	8566146	Damper Assembly, Tub Suspension (Set Of 4-Includes Items 9, 47, 48 & 49)	24		Bezel, Stain Remover Dispenser	41	370451	Clamp, Hose
11	1157158	Screw, 8-18 x 3/8		8566211	White	42	371503	Clamp, Hose
12	W10042120	Locator, Top (2)		8580018	Biscuit	43	3400061	Screw, 10-16 x 9/16
13	W10078270	Screw, Lid Hinge Mounting (4)	25	8580019	Elephant	44	90016	Clip, Harness (5)
					Dispenser, Detergent	45	8281736	Wire, Ground Jumper
				8564976	White	46	3400076	Screw, 10-32 x 5/8
				W10059170	Biscuit	47	8577896	Washer, Suspension Umbrella (4)
				W10059180	Elephant	48	8564017	Cup, Suspension (4)
						49	W10167599	Bushing, Suspension (Set Of 4-Includes Item 9)

FOR ORDERING INFORMATION REFER TO PARTS PRICE LIST

CONTROL PANEL PARTS

For Models: WTW6600SW3, WTW6600SG3, WTW6600SB3
(White) (Biscuit) (Black)



FOR ORDERING INFORMATION REFER TO PARTS PRICE LIST

CONTROL PANEL PARTS

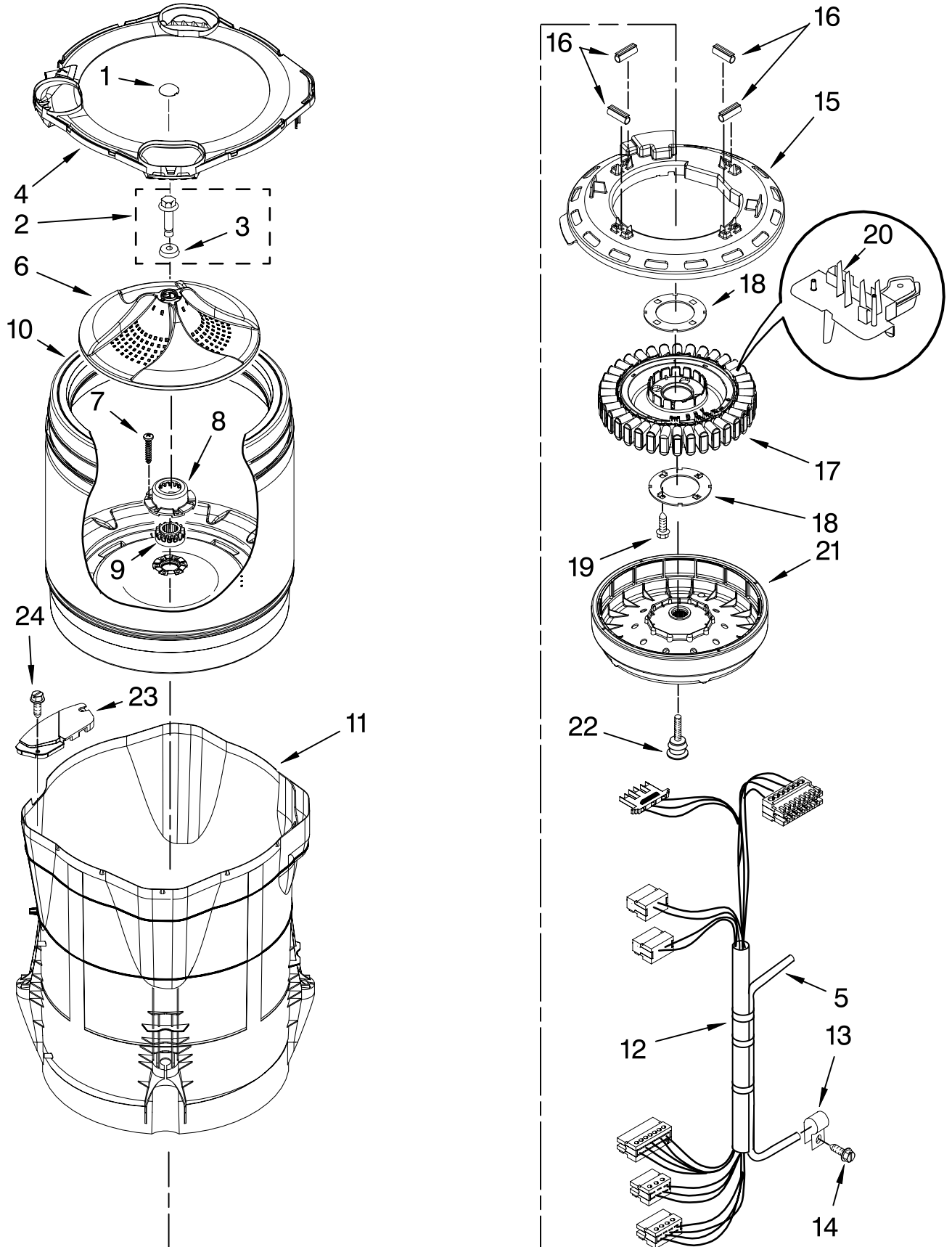
For Models: WTW6600SW3, WTW6600SG3, WTW6600SB3
 (White) (Biscuit) (Black)

Illus. No.	Part No.	DESCRIPTION
1	W10155109	Control Unit Assembly, Machine & Motor
2	W10130502	Gasket, Valve Tray
3		Tray Assembly, Console (Includes Items 2 & 4)
	8565304	White
	8565306	Biscuit
	8565305	Black
4	8565259	Gasket, Console/Tray
5	W10128457	Valve, Log Assembly
6		Knob, Control
	8574957	White
	8574958	Biscuit
	8574959	Black
7	8564290	User Interface
8	W10004990	Screw, 6-20 x 1.2
9		Console
	W10070060	White
	W10070070	Biscuit
	W10070080	Black
10	8564265	Cover, Rear-User Interface
11	W10003770	Screw, 6-19 x 1/2 (3)
12	W10022060	Nut, Push-In (3)
13	W10128687	Harness, Upper (Includes Item 21)
14	8565324	Screw, 10-16 x 1.75
15	8281136	Screw, 8-18 x 3/4
16	3407203	Cord Assembly, Power
17	98460	Nut, Push-In (2)
18	3976300	Washer, Water Inlet Hose (1-1/16 x 5/8)(4)
19		Hose, Water Inlet
	8571377	Blue Coupler
	8571378	Red Coupler
20	3351614	Screw, Power Cord Ground
21	3407187	Harness, Thermistor

FOR ORDERING INFORMATION REFER TO PARTS PRICE LIST

MOTOR, BASKET AND TUB PARTS

For Models: WTW6600SW3, WTW6600SG3, WTW6600SB3
(White) (Biscuit) (Black)



FOR ORDERING INFORMATION REFER TO PARTS PRICE LIST

MOTOR, BASKET AND TUB PARTS

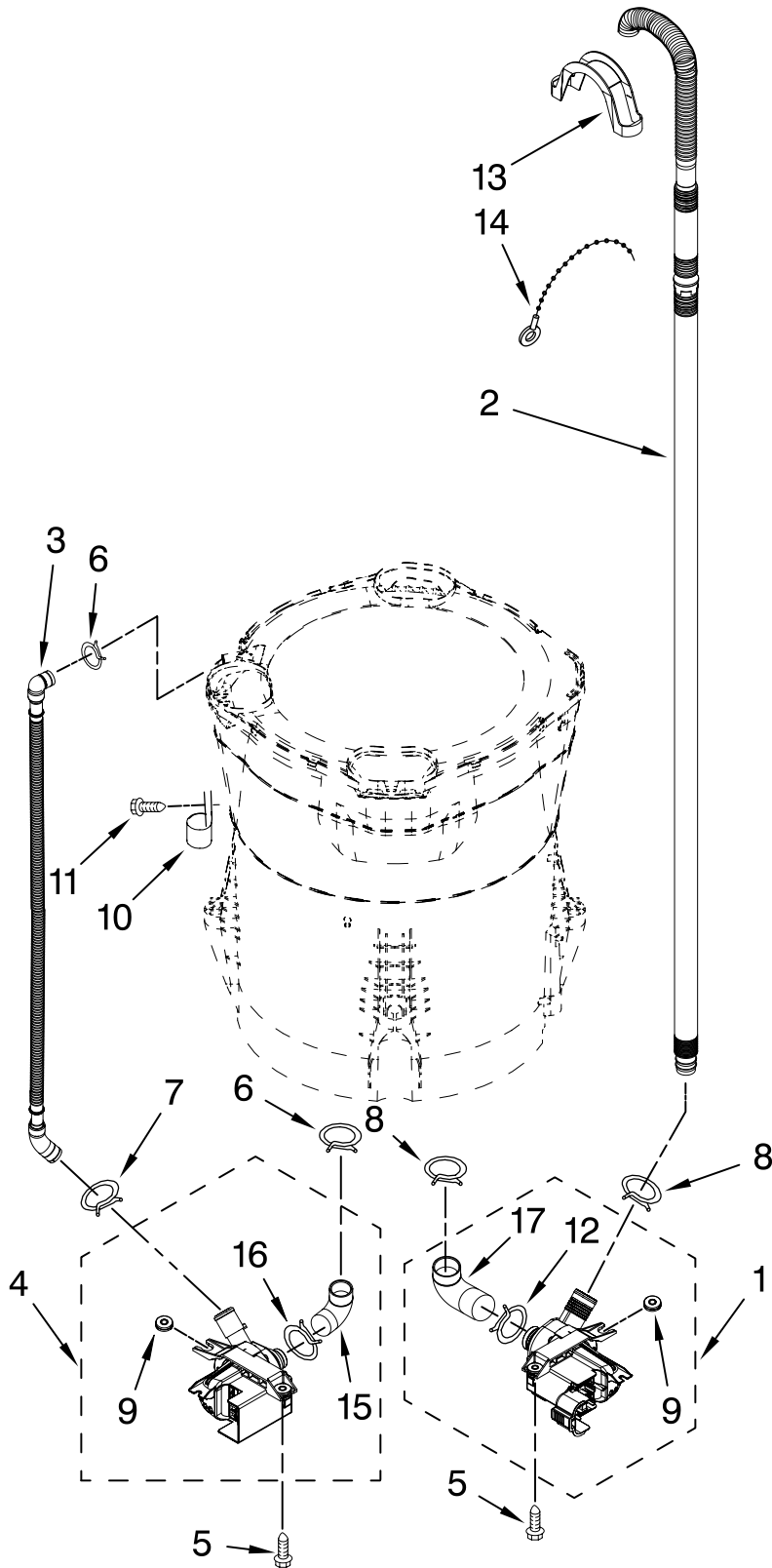
For Models: WTW6600SW3, WTW6600SG3, WTW6600SB3
(White) (Biscuit) (Black)

<u>Illus. No.</u>	<u>Part No.</u>	<u>DESCRIPTION</u>
1	W10106600	Cap, Impeller
2	W10076270	Screw & Washer Assembly
3	W10076260	Washer
4	W10130807	Tub Ring
5	8572540	Hose Pressure Switch
6	W10141017	Impeller (Washplate)
7	8533953	Screw, 8-16 x 1.000 (6)
8	W10118114	Hub, Basket-Driven (Includes Item 9)
9	8545953	Hub, Basket-Driver (Includes Item 8)
10	W10118182	Basket Assembly (Includes Items 7, 8, & 9)
11	8572660	Tub & Drive Shaft Assembly
12	W10137697	Harness, Lower (Includes Item 5)
13	W10005430	Clamp, Pressure Hose Retainer
14	8533957	Screw, 10-16 x 1/2
15	W10137698	Shield, Drive Motor (Includes Item 16)
16	8565172	Tube, Buffer (Set Of 4)
17	8565170	Stator, Motor (Includes Item 18)
18	8557836	Plate, Stator (Set Of 2)
19	8534042	Screw, 1/4-20 x .968 (4)
20	W10137685	RPS Assembly
21	8565177	Rotor, Main Drive Motor (Includes Item 22)
22		Bolt, Rotor Assembly Non-Serviceable (Supplied W/Rotor)
23	8566197	Filter, Dual Pump Hood
24	8533928	Screw, 8-18 x 3/4 (2)

FOR ORDERING INFORMATION REFER TO PARTS PRICE LIST

PUMP PARTS

For Models: WTW6600SW3, WTW6600SG3, WTW6600SB3
(White) (Biscuit) (Black)



Illus. No.	Part No.	DESCRIPTION
1	W10049390	Pump Assembly, Drain
2	W10128765	Hose, Drain
3	8543774	Hose, Recirc
4	W10049400	Pump Assembly, Recirc
5	W10004910	Screw, 12-16 x 1.125
6	370449	Clamp, Hose
7	8269146	Clamp, Hose
8	8317496	Clamp, Hose
9	8182771	Grommet, Pump Mounting (4)
10	8534021	Clamp, Recirc Hose Retainer
11	8533943	Screw, 10-16 x 3/4
12	8182768	Clamp, Drain Pump Hose
13	8576642	Retainer, Drain Hose
14	3347868	Cable Tie
15	8182769	Hose, Recirc Pump
16	8182770	Clamp, Recirc Pump Hose
17	8182767	Hose, Drain Pump

FOR ORDERING INFORMATION REFER TO PARTS PRICE LIST

OPTIONAL PARTS (NOT INCLUDED)

For Models: WTW6600SW3, WTW6600SG3, WTW6600SB3
(White) (Biscuit) (Black)

<u>Illus.</u>	<u>Part</u>	
<u>No.</u>	<u>No.</u>	<u>DESCRIPTION</u>

PAINT, TOUCH-UP (1/2oz.)

72017 White
4392899 Biscuit
72032 Black

PAINT, PRESSURIZED SPRAY (12 oz.)

350938 Primer, Gray
350930 White
4392901 Biscuit
285006 Black

PAINT, BULK (1 qt.)

799344 White (Uncut)
4392900 Biscuit (Uncut)
786032 Black (Uncut)

WATER SYSTEM PARTS

285442 Connector Kit,
Plastic Drain
Hose
285321 Sleeve Kit,
(Contains 2
Sleeves)
285320 Siphon Break Kit
367031 Drain Protector

SEALER

285195 Sealer, Gasket
(.20 Fl. Oz.) (6 ml)

COUPLING

384496 Coupling, Hose

FOR ORDERING INFORMATION REFER TO PARTS PRICE LIST

Free Manuals Download Website

<http://myh66.com>

<http://usermanuals.us>

<http://www.somanuals.com>

<http://www.4manuals.cc>

<http://www.manual-lib.com>

<http://www.404manual.com>

<http://www.luxmanual.com>

<http://aubethermostatmanual.com>

Golf course search by state

<http://golfingnear.com>

Email search by domain

<http://emailbydomain.com>

Auto manuals search

<http://auto.somanuals.com>

TV manuals search

<http://tv.somanuals.com>