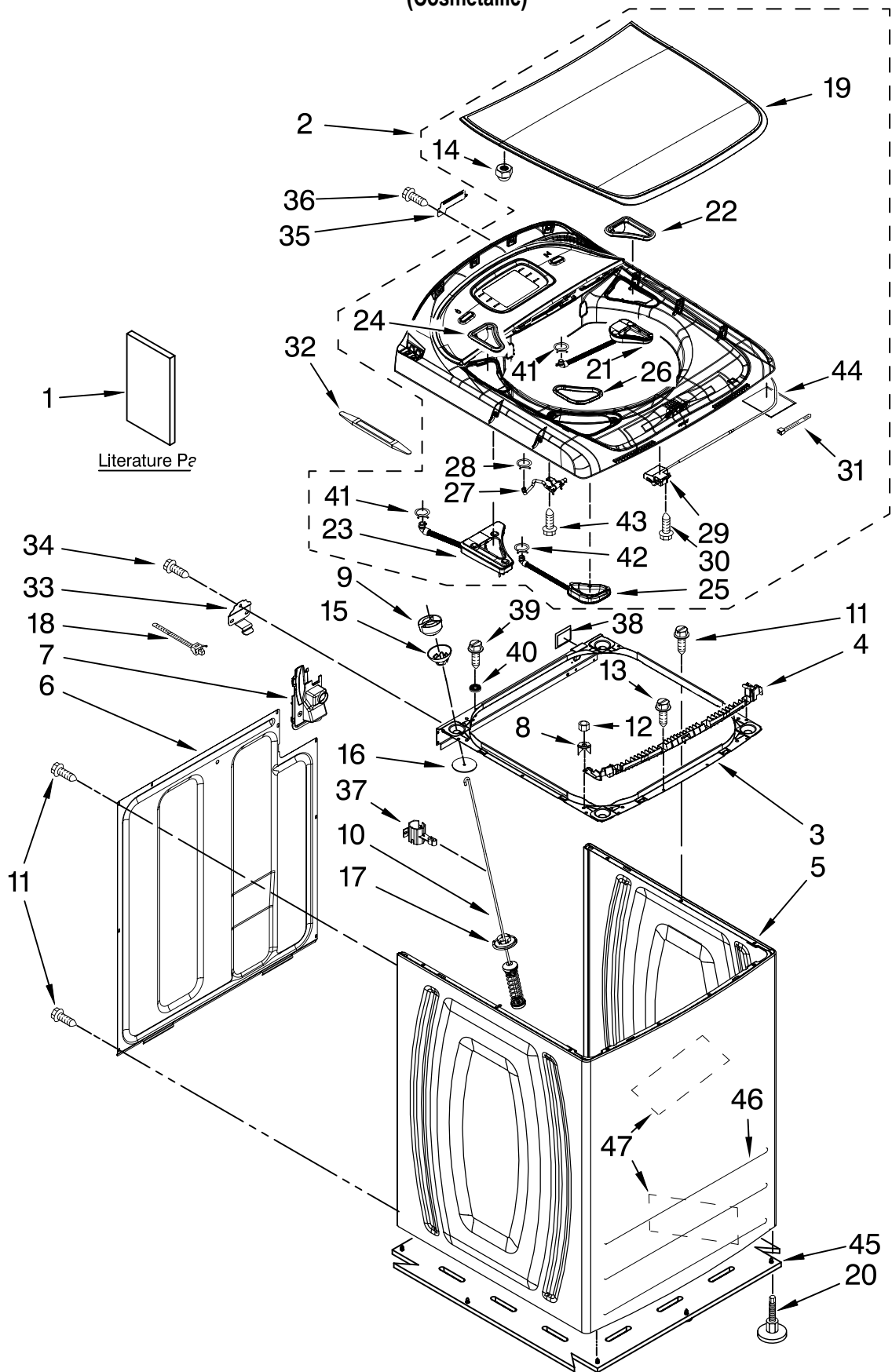




# TOP AND CABINET PARTS

AUTOMATIC WASHER

FOR MODEL: WTW7990XG0  
(Cosmetallic)



Literature P2

FOR ORDERING INFORMATION REFER TO PARTS PRICE LIST

# TOP AND CABINET PARTS

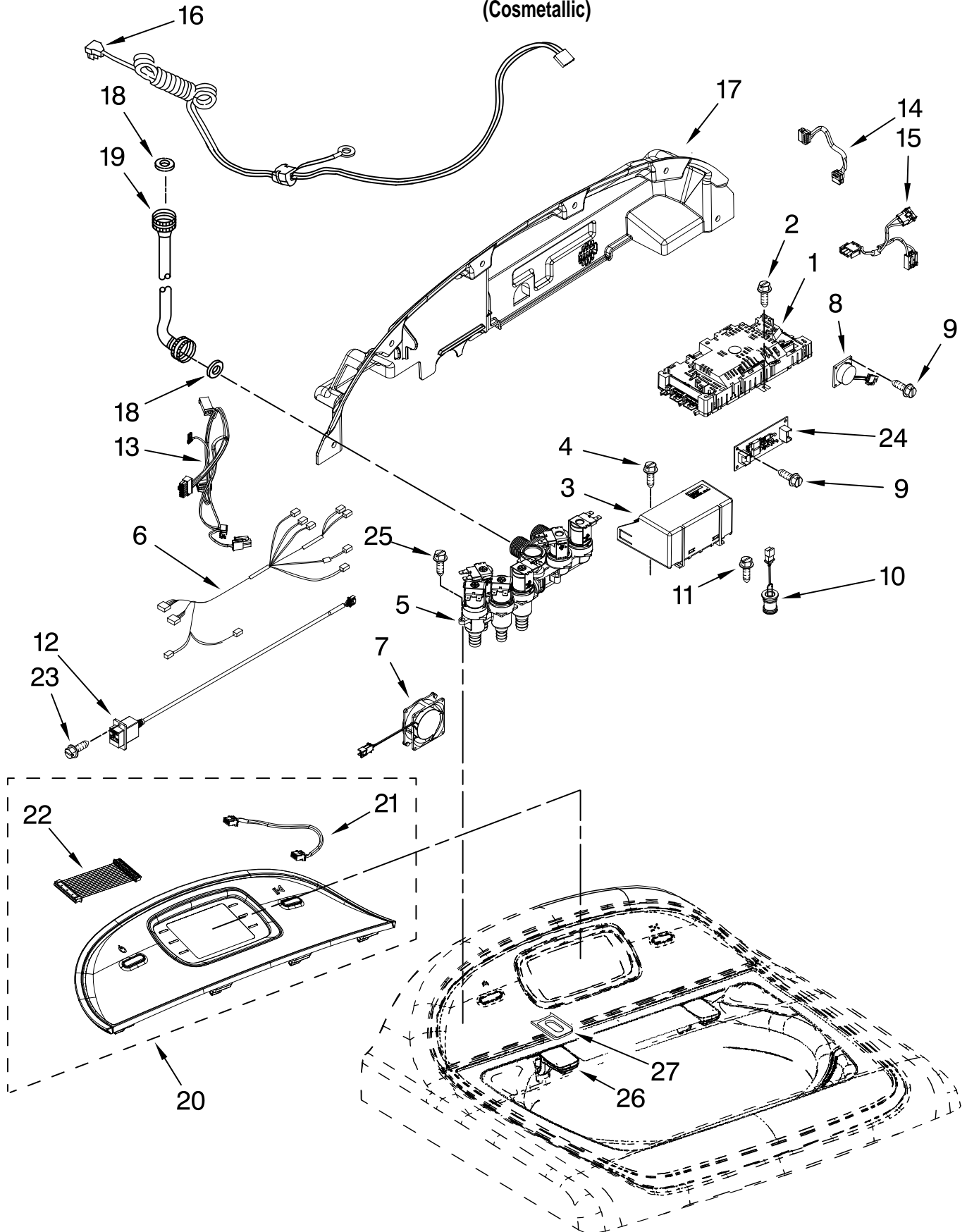
FOR MODEL: WTW7990XG0  
(Cosmetallic)

Illus. No.	Part No.	DESCRIPTION	Illus. No.	Part No.	DESCRIPTION	Illus. No.	Part No.	DESCRIPTION
1		Literature Parts Installation Instructions	10	W10256514	Damper Assembly, Tub Suspension (Set Of 4–Includes Items 9, 15, 16 & 17)	27	W10283978	Nozzle Assembly, Fresh Water
	W10240438	English/French				28	W10096852	Clamp, Hose
	W10240439	Spanish				29	W10059230	Lock Assembly, Lid
	W10330930	Use & Care Guide	11	1157158	Screw, 8–18 x 3/8	30	W10296801	Screw, 8–18 x 3/4
	W10312006	Installation Instructions– Sound Shield	12	3934662	Nut, 5/16 x 18	31	W10035712	Cable Tie
	W10329226	Tech Sheet	13	W10324301	Screw, 8–18 x 1/2	32	W10285826	Tool, Trim Stick
	W10326642	Energy Guide	14	W10300818	Nut, Acorn (M6–1.0 x 10)	33	W10285717	Hinge, Rear
						34	343641	Screw, 10–16 x 1/2
						35	8563941	Cover, Harness
			15	W10167599	Bushing, Suspension (Set Of 4–Includes Item 9)	36	W10303701	Screw, 8–18 x 3/4
						37	8543784	Bracket, Drain Hose
2	W10285672	Top & Console Assembly (Includes Items 26 & 27 on Page 3)	16	8577896	Washer, Suspension Umbrella	38	8578386	Shield, Wire Harness
			17	8564017	Cup, Suspension	39	489474	Screw, 8–18 x 1.00
3	W10162416	Frame Assembly, Cabinet Top (Includes Item 38)	18	W10155270	Cable Tie	40	W10323797	Spacer, Rear Locator
			19	W10285675	Lid, Glass Assembly	41	370451	Clamp, Hose
4	W10285716	Bracket–Support, Front	20	W10240448	Foot Assembly, Leveling	42	371503	Clamp, Hose
			21	W10283377	Dispenser, Fabric Softener	43	3400061	Screw, 10–16 x 9/16
5	W10297810	Cabinet	22	W10285707	Bezel, Fabric Softener Dispenser	44	W10212660	Pad, Sound Dampening
6	8566090	Panel, Rear	23	W10283967	Dispenser, Bleach	45	8565184	Absorber – Sound, Bottom
7	W10160572	Retainer, Drain Hose Storage	24	W10285695	Bezel, Bleach Dispenser	46	8578225	Absorber – Sound, Cabinet Front
8	W10285737	Bracket, Lower Top Retention	25	W10283970	Dispenser, Detergent	47	W10123957	Panel, Dampening
9	W10111536	Ball, Suspension (Set Of 4 – Includes Item 15)	26	W10285701	Bezel, Detergent Dispenser			

FOR ORDERING INFORMATION REFER TO PARTS PRICE LIST

# CONTROL PANEL PARTS

FOR MODEL: WTW7990XG0  
(Cosmetallic)



FOR ORDERING INFORMATION REFER TO PARTS PRICE LIST

# CONTROL PANEL PARTS

FOR MODEL: WTW7990XG0  
(Cosmetallic)

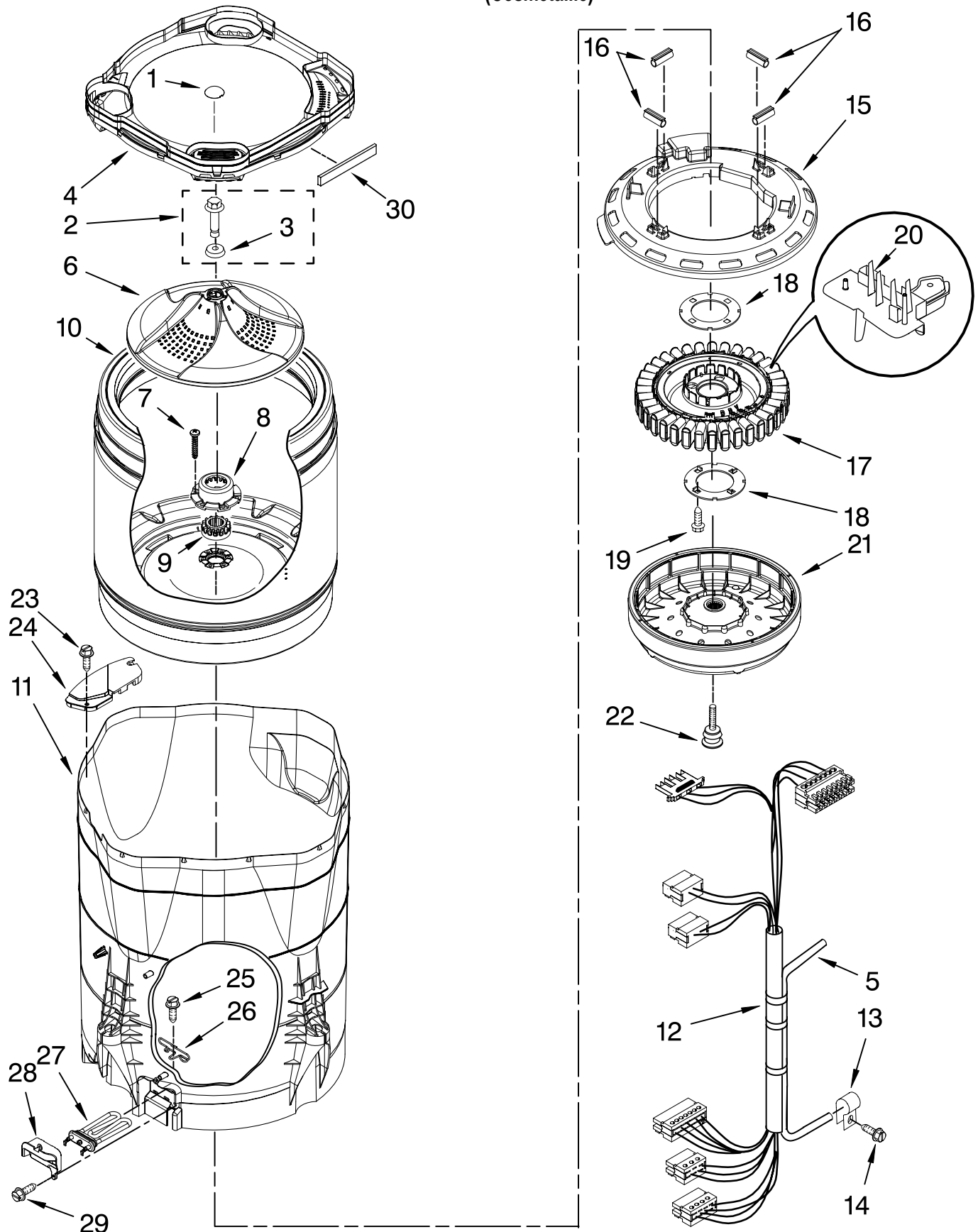
Illus. No.	Part No.	DESCRIPTION
1	W10286071	Control Unit Assembly, Machine & Motor
2	7101P650-60	Screw
3	W10280594	Power Supply
4	12990204	Screw, 8-18 x 1/2
5	W10326917	Valve, Log
6	W10331300	Harness, Log Valve
7	W10285759	Fan
8	W10280595	Speaker
9	W10300795	Screw, M2-0.4 x 8.75
10	W10280747	LED Assembly
11	W10300799	Screw, 8-18 x 1/2
12	W10280760	Jumper, UI To USB
13	W10280738	Jumper, User Interface
14	W10280736	Jumper, CCU To Wide ISO
15	W10280742	Jumper, Main Power
16	W10051098	Cord Assembly, Power
17	W10285715	Panel, Rear Console Cover
18	W10242307	Washer, Water Inlet Hose
19		Hose, Water Inlet
	W10194208	Cold Water
	8571378	Hot Water
20	W10285684	Panel, Console Facia Assembly
21	W10289382	Jumper, Atlas Audio To HMI
22	W10167482	Wire Assembly, Main Connection
23	W10300815	Screw, M2-0.89 x 10
24	W10280598	Circuit Board, Wide ISO IR
25	8281136	Screw, 8-18 x 3/4
26	W10285714	Hinge, Lid
27		Bezel, Hinge
	W10323408	Left
	W10323407	Right

FOR ORDERING INFORMATION REFER TO PARTS PRICE LIST

# MOTOR, BASKET AND TUB PARTS

FOR MODEL: WTW7990XG0

(Cosmetallic)



FOR ORDERING INFORMATION REFER TO PARTS PRICE LIST

# MOTOR, BASKET AND TUB PARTS

FOR MODEL: WTW7990XG0

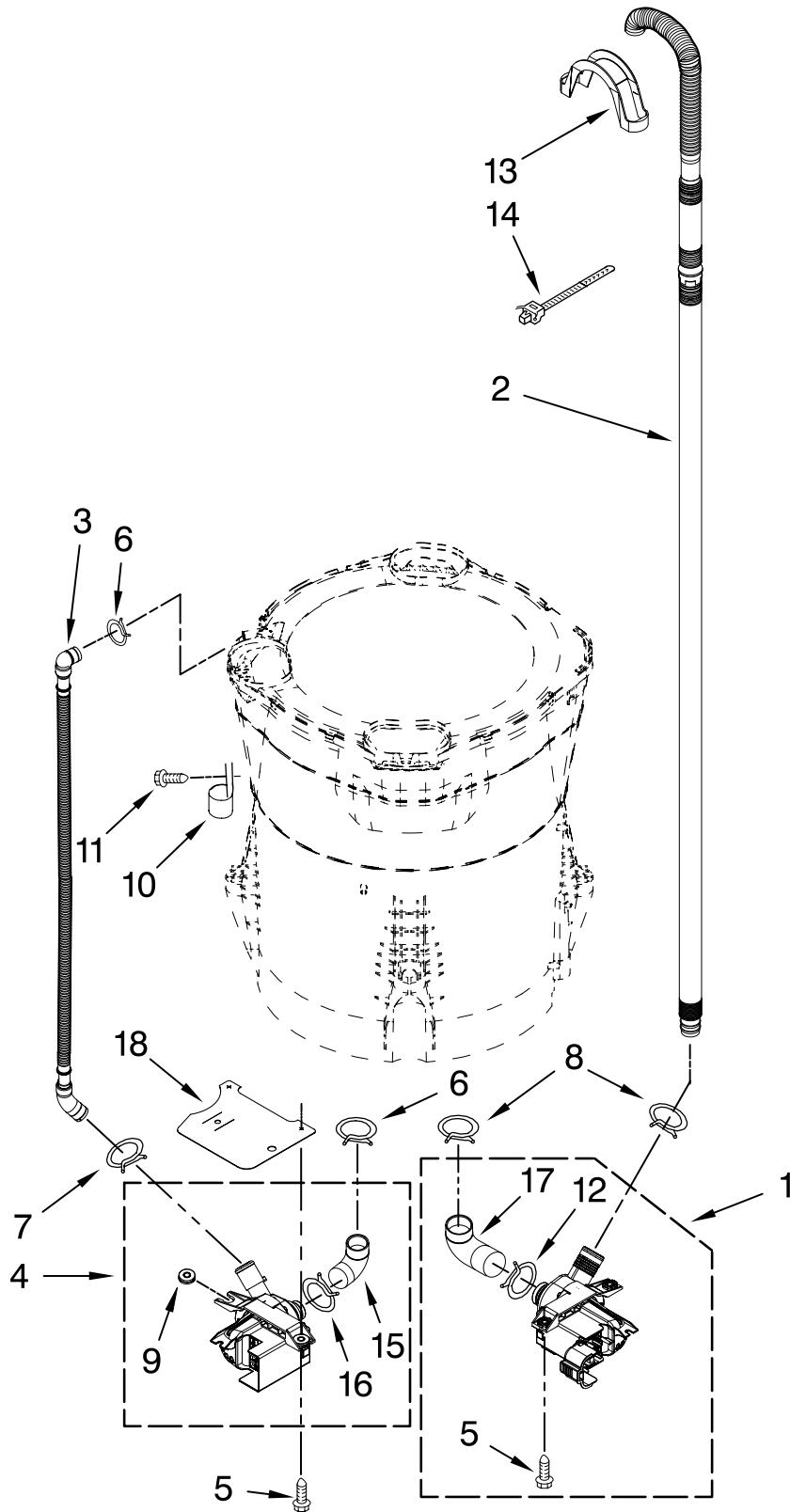
(Cosmetallic)

<b>Illus. No.</b>	<b>Part No.</b>	<b>DESCRIPTION</b>
1	W10305259	Cap, Impeller
2	W10076270	Screw & Washer Assembly
3	W10076260	Washer
4	W10309701	Tub Ring (Includes Item 30)
5	8054711	Hose Pressure Switch
6	W10286241	Impeller (Washplate)
7	8533953	Screw, 8-16 X 1.00
8	W10118114	Hub, Basket-Driven (Includes Item 9)
9	8545953	Hub, Basket-Driver (Includes Item 8)
10	W10310957	Basket Assembly (Includes Items 7, 8, & 9)
11	W10157673	Tub & Drive Shaft Assembly
12	W10280737	Harness, Main (Includes Item 5)
13	W10005430	Clamp, Pressure Hose Retainer
14	8533957	Screw, 10-16 x 1/2
15	W10137698	Shield, Drive Motor (Includes Item 16)
16	8565172	Tube, Buffer (Set Of 4)
17	8565170	Stator, Motor (Includes Item 18)
18	8557836	Plate, Stator (Set Of 2)
19	8534042	Screw, 1/4-20 x .968
20	W10178988	RPS Assembly
21	8565177	Rotor, Main Drive Motor (Includes Item 22)
22		Bolt, Rotor Assembly Non-Serviceable (Supplied W/Rotor)
23	8533928	Screw, 8-18 X 3/4
24	W10222008	Filter, Dual Pump Hood
25	W10119266	Screw, 8-18 x 3/4
26	W10134571	Clip, Tub Heater
27	W10121071	Heater, Tub
28	W10140727	Cover, Tub Heater
29	8533943	Screw, 10-16 x 3/4
30	W10205824	Absorber, Impact

FOR ORDERING INFORMATION REFER TO PARTS PRICE LIST

# PUMP PARTS

FOR MODEL: WTW7990XG0  
(Cosmetallic)



Illus. No.	Part No.	DESCRIPTION
1	W10155921	Pump Assembly, Drain
2	W10236686	Hose, Drain
3	8543774	Hose, Recirc
4	W10049400	Pump Assembly, Recirc
5	W10004910	Screw, 12-16 x 1-1/8
6	370449	Clamp, Hose
7	8269146	Clamp, Hose
8	8317496	Clamp, Hose
9	8182771	Grommet, Pump Mounting
10	8534021	Clamp, Recirc Hose Retainer
11	8533943	Screw, 10-16 x 3/4
12	8182768	Clamp, Drain Pump Hose
13	8576642	Retainer, Drain Hose
14	W10339879	Cable Tie
15	8182769	Hose, Recirc Pump
16	8182770	Clamp, Recirc Pump Hose
17	8182767	Hose, Drain Pump
18	8578572	Shield, Recirc Pump

FOR ORDERING INFORMATION REFER TO PARTS PRICE LIST

# OPTIONAL PARTS (NOT INCLUDED)

FOR MODEL: WTW7990XG0  
(Cosmetallic)

Illus. No.	Part No.	DESCRIPTION	Illus. No.	Part No.	DESCRIPTION	Illus. No.	Part No.	DESCRIPTION
<b><u>PAINT, TOUCH-UP (1/2oz.)</u></b>			<b><u>SEALER</u></b>			<b><u>ACCESSORY PARTS</u></b>		
	W10318650	Cosmetallic		285195	Sealer, Gasket (.20 Fl. Oz.) (6 ml)		W10135699	Affresh Odor Remover
<b><u>WATER SYSTEM PARTS</u></b>			<b><u>COUPLING</u></b>				8212546RP	Inlet Hoses, 4 Ft. (Two Black Hoses W/Straight Ends & 4 Rubber Washers)
	285442	Connector Kit, Plastic Drain Hose		384496	Coupling, Hose		8212641RP	Inlet Hoses, 5 Ft. (Two Black Hoses W/Straight Ends & 4 Rubber Washers)
	285321	Sleeve Kit, (Contains 2 Sleeves)					8212545RP	Inlet Hoses, 5 Ft. (One Red Hose & One Blue Hose W/Straight Ends & 4 Rubber Washers)
	285320	Siphon Break Kit					8212487RP	Inlet Hoses, 5 Ft. (Two Braided Hoses W/Straight Ends & 4 Rubber Washers)
	367031	Drain Protector					8212637RP	Inlet Hoses, 6 Ft. (Two Black Hoses W/One Straight End & One 90 Degree End & 4 Rubber Washers)
							8212638RP	Inlet Hoses, 6 Ft. (Two Braided Hoses W/One Straight End & One 90 Degree End & 4 Rubber Washers)
							285448A	Hose Washers (Package of 4)
							285452A	Hose Screen (Package of 2)

FOR ORDERING INFORMATION REFER TO PARTS PRICE LIST



## Free Manuals Download Website

<http://myh66.com>

<http://usermanuals.us>

<http://www.somanuals.com>

<http://www.4manuals.cc>

<http://www.manual-lib.com>

<http://www.404manual.com>

<http://www.luxmanual.com>

<http://aubethermostatmanual.com>

Golf course search by state

<http://golfingnear.com>

Email search by domain

<http://emailbydomain.com>

Auto manuals search

<http://auto.somanuals.com>

TV manuals search

<http://tv.somanuals.com>