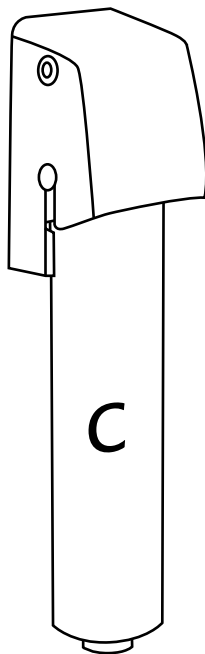


model / modelo
WHAF-0335AB



model / modelo
WHAF-0435AC



UltraEase™ filtration

UNDER SINK MODULAR FILTRATION SYSTEM

Installation Instructions and Use and Care Guide

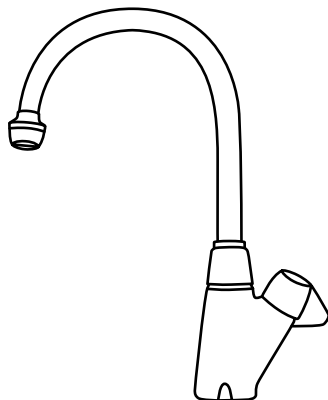
For questions about features, operation/performance, parts, accessories or service, call: **1-866-363-9472**.

Or visit our website at www.whirlpool.com

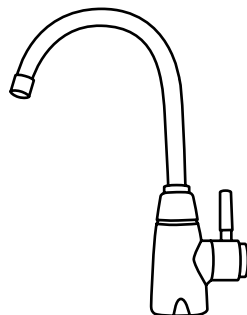


System tested and certified by NSF International against ANSI/NSF Standard 53 for Lead, Cyst and VOC Reduction (see the claims specified on the Performance Data Sheet) and Standard 42 for Chlorine, Taste and Odor Reduction.

Sistema verificado y certificado por el instituto NSF International según lo dispuesto por la norma ANSI/NSF 53 en lo que se refiere a la disminución de plomo, esporas y COV (ver lo dispuesto en la ficha técnica de rendimiento) y la norma 42 en lo que se refiere a la disminución de cloro, sabor y olor.



model / modelo
WHAB-6014
WHAB-6015



model / modelo
WHAB-6012
WHAB-6013



The WHAB faucet unit is tested and certified by NSF International against ANSI/NSF Standard 42 for material and structural integrity requirements only.

El grifo WHAB ha sido verificado y certificado por el instituto NSF International según lo establecido por la norma 42 NSI/NSF 42 en lo que se refiere a la integridad estructural y de los materiales únicamente.

SISTEMA DE PURIFICACIÓN MODULAR PARA INSTALAR BAJO FREGADEROS

Instrucciones de instalación y guía de usos y cuidados

Para mayor información sobre características, operación y funcionamiento, repuestos, accesorios o servicio técnico, comuníquese al **1-866-363-9472**.

O visite nuestra página en Internet... www.whirlpool.com

Table of Contents/Índice..... 2

8563999 / OEM030099-284

TABLE OF CONTENTS

INTRODUCTION TO ULTRAEASE™ UNDER SINK			
MODULAR FILTRATION SYSTEM.....	3	FILTRATION SYSTEM ACCESSORIES.....	12
ASSISTANCE OR SERVICE.....	3	FLUSHING THE FILTRATION SYSTEM.....	12
INSTALLATION REQUIREMENTS.....	3	FLOW MONITOR.....	12
Location Requirements.....	4	FAUCET FEATURES (WHAB-6014, WHAB-6015).....	12
Water Supply Requirements.....	6	Vegetable sprayer.....	12
INSTALLATION INSTRUCTIONS.....	7	FAUCET CARE (WHAB-6014, WHAB-6015).....	12
Tools and Parts.....	7	Cleaning.....	12
Install the Filterhead Valve and Filter Cartridge.....	8	BEFORE CALLING FOR SERVICE.....	12
Install the faucet.....	10	TROUBLESHOOTING.....	13
Connect faucet to filters.....	11	ULTRAEASE™ FILTRATION UNIT WARRANTY.....	13
		PERFORMANCE DATA SHEETS.....	14

ÍNDICE

PRESENTACIÓN DEL SISTEMA DE PURIFICACIÓN		ACCESORIOS PARA EL SISTEMA DE PURIFICACIÓN.....	28
MODULAR ULTRAEASE™ PARA INSTALAR		LIMPIEZA DEL SISTEMA DE PURIFICACIÓN.....	28
BAJO FREGADEROS.....	18	MONITOR DE CIRCULACIÓN DE AGUA.....	28
ASISTENCIA O SERVICIO TÉCNICO.....	18	CARACTERÍSTICAS DEL GRIFO	
REQUISITOS PARA LA INSTALACIÓN.....	19	(WHAB-6014, WHAB-6015).....	28
Requisitos para la ubicación.....	19	Rociador de legumbres.....	28
Requisitos del suministro de agua.....	22	CUIDADOS DEL GRIFO (WHAB-6014, WHAB-6015).....	28
INSTRUCCIONES PARA LA INSTALACIÓN.....	22	Limpieza.....	28
Herramientas y piezas.....	22	ANTES DE LLAMAR AL SERVICIO TÉCNICO.....	29
Instalación de la válvula de la cabeza del filtro y el		GUÍA DE PROBLEMAS Y SOLUCIONES.....	29
cartucho que contiene el filtro.....	24	GARANTÍA DE LA UNIDAD DE PURIFICACIÓN	
Instalación del grifo.....	26	ULTRAEASE™.....	30
Conexión del grifo a los filtros.....	27	FICHAS TÉCNICAS DE RENDIMIENTO.....	31

INTRODUCTION ULTRAEASE™ UNDER SINK MODULAR FILTRATION SYSTEM

Welcome to a New Era in Home Water Filtration Systems.

Thank you for purchasing the UltraEase™ Modular filtration system, Whirlpool Brand's latest innovative under sink water filtration system. This system will provide you with many years of great-tasting water.

Whether from your town's water treatment plant or decaying pipes in your home, sediment rust, sand, silt and iron can be present in your water. What's more, chlorine, lead and cyst levels may further affect the quality of your water. Your new UltraEase™ easy to connect filters, effectively reduce these unwanted particles from your water supply more simply than ever.

The unit's NSF-certified filter cartridges have been tested to process up to 1,200 gallons of water before any replacement is needed (approximately 6 to 12 months* depending on your water consumption and flow rate). See the last page for more details. Replacing a filter is an easy "lift 'n' snap" operation, complete with an automatic shut-off water valve. And should you decide to upgrade to a more comprehensive water filtration system, your UltraEase™ easy to connect Filter Unit's modular design allows you to add on other components that filter chemicals for even better-tasting water. As an option, you can also add to your system the DirectChill™ and/or the DirectHot™ units.

* The contaminants or other substances removed or reduced by this water filter are not necessarily in all users' water. Filter life varies depending on local water conditions and the volume of water used. We recommend you change your filter every 12 months. However, it can be replaced earlier if there is a drop in pressure at the faucet or when the monitor indicates.

ASSISTANCE OR SERVICE

If you need assistance or service, first see "Troubleshooting" section. Additional help is available by calling **1-866-363-9472**. Monday to Friday 8:00 a.m. - 6:00 p.m. (EST) or write:

Whirlpool Water Products
P.O. Box 13150
Columbus, OH 43213-0150

Please include a daytime phone number in your correspondence.

For installation and service, call: **1-866-363-9472** or visit our website at www.whirlpool.com.

Keep this book and your sales slip together for future reference. You must provide proof of purchase or installation date for in-warranty service.

Write down the following information about your appliance to help you obtain assistance or service if you need it. You will need to know your complete model number. You can find this information on the packaging.

Dealer name _____
Address _____
Phone number _____ Model number _____
Purchase date _____

INSTALLATION REQUIREMENTS

IMPORTANT:

Observe all governing codes and ordinances. Check location where the faucet will be installed. Make sure you have everything necessary for correct installation. It is the responsibility of the installer to comply with installation specifications and with state and local plumbing codes.

The faucet requires a 1-3/8" (3.5cm) diameter opening in the sink or countertop. The faucet can be installed in place of the sink spray hose. If faucet is not to be installed in sink spray hose opening, it is recommended that a qualified installer be contacted to drill a hole through your sink or countertop. Thickness of countertop at the hole must not exceed 1-3/4" (4.4cm).

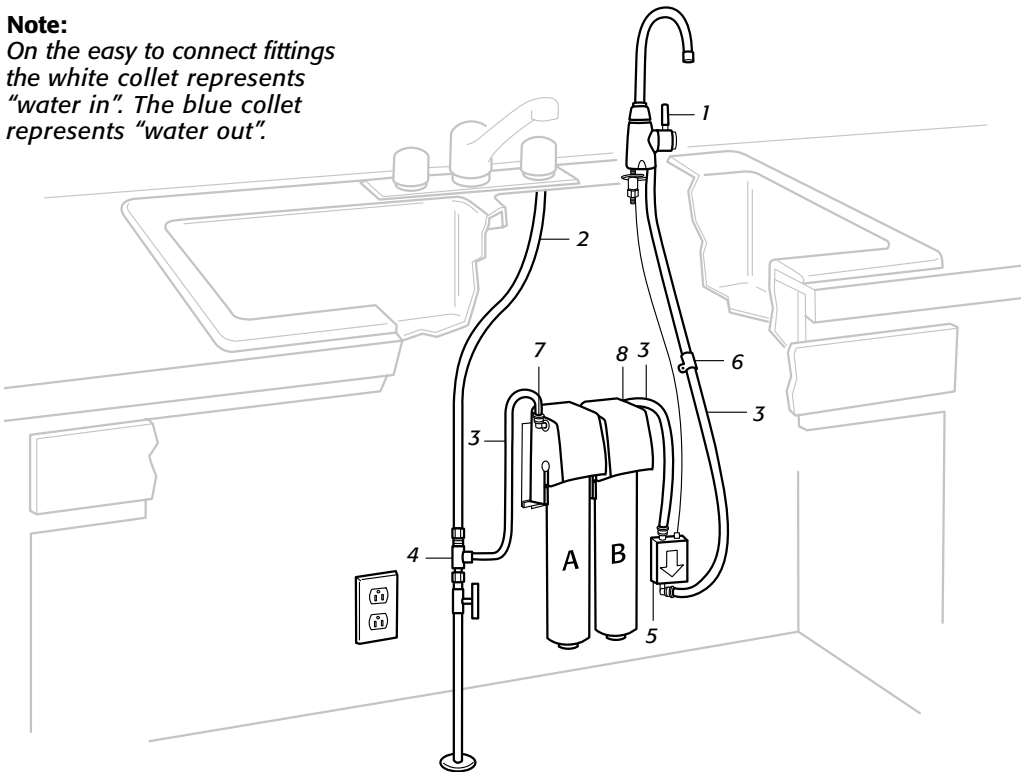
Cold water supply connection must be available. See "Water supply requirements", section. Water connections use easy to connect fittings which do not require sealing compounds to keep them from leaking.

Location Requirements

Filtration unit layouts

Note:

On the easy to connect fittings the white collet represents "water in". The blue collet represents "water out".



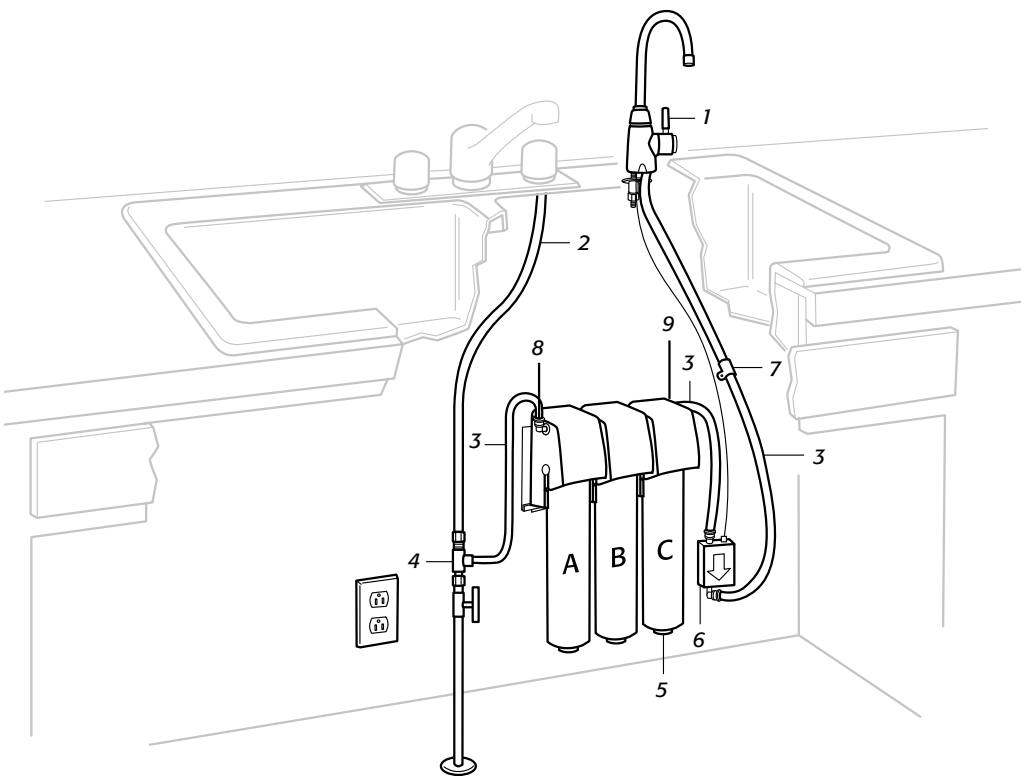
Layout 1

Installing UltraEase™ Dual stage water filtration Unit A+B (WHAF-0335AB), requires the Whirlpool™ UltraEase™ faucet (WHAB-6012 or 6013 or 6014 or 6015) sold separately.

If faucet is not to be installed in sink spray hose opening, cut 1-3/8" (3.5 cm) dia. sink or countertop cutout.

1-3/4" (4.4 cm) max. countertop or sink thickness.

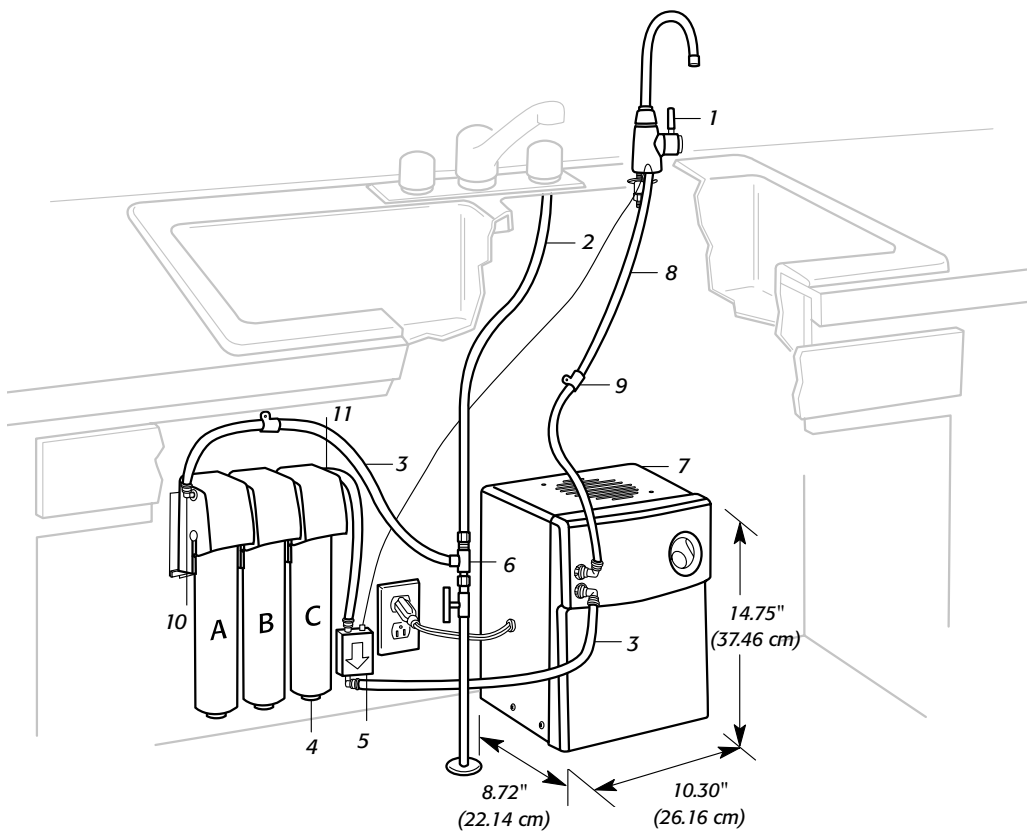
1. Faucet installed in spray hose opening in sink (styles vary by model)
2. Cold water supply line
3. White tube included with faucet
4. "T" water line connector included with faucet
5. Flow monitor included with faucet
6. Wall mounting clips for tubing
7. White "water in" collet
8. Blue "water out" collet



Layout 2

Installing UltraEase™ Specialty water filtration Unit C (WHAF-0435AC sold separately), requires the UltraEase™ Dual stage water filtration Unit A+B (WHAF-0335AB) and Whirlpool™ UltraEase™ faucet (WHAB-6012 or 6013 or 6014 or 6015) sold separately.

1. Faucet installed in spray hose opening in sink (styles vary by model)
2. Cold water supply line
3. White tube included with faucet
4. "T" water line connector included with faucet
5. Specialty filtration sold separately
6. Flow monitor included with faucet
7. Wall mounting clips for tubing
8. White "water in" collet
9. Blue "water out" collet

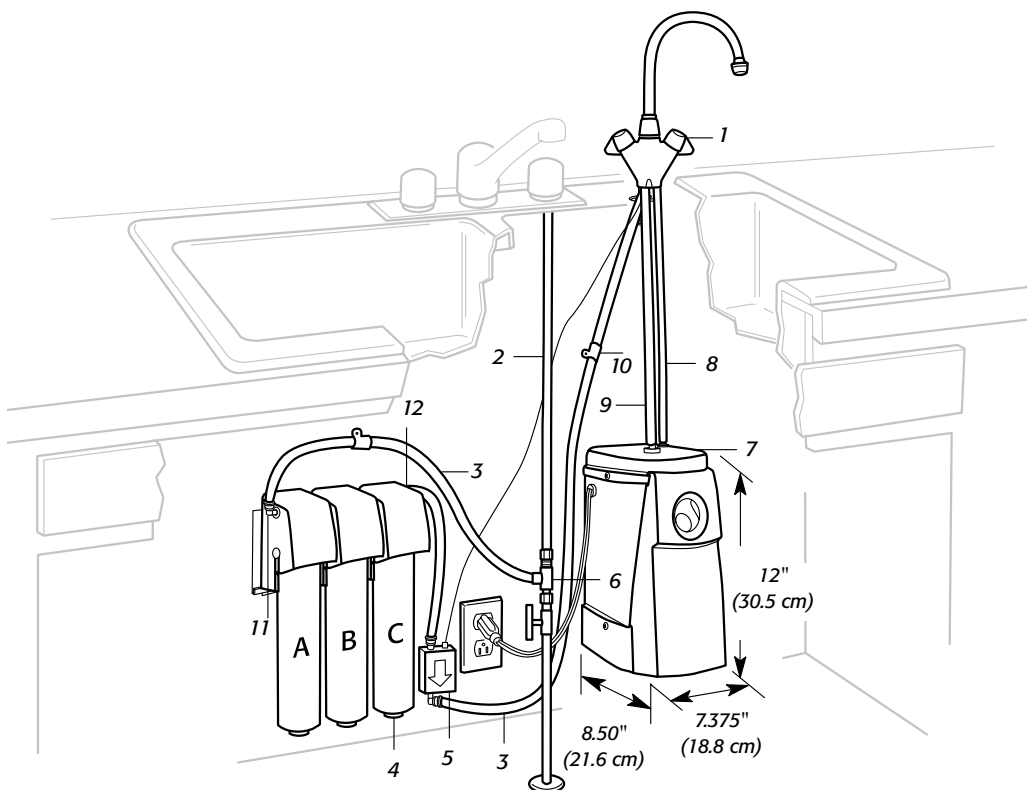


Layout 3

Adding the UltraEase™ DirectChill™ unit (WHAF-0115AG), requires the UltraEase™ Dual water filtration Unit A+B (WHAF-0335AB) and Whirlpool™ UltraEase™ faucet (WHAB-6012 or 6013 or 6014 or 6015) sold separately.

UltraEase™ Specialty water filtration Unit C (WHAF-0435AC) is optional in this layout (sold separately).

1. Faucet installed in spray hose opening in sink (styles vary by model)
2. Cold water supply line
3. White tube included with faucet
4. Specialty filtration sold separately
5. Flow monitor included with faucet
6. "T" water line connector included with faucet
7. DirectChill™ unit
8. Blue tube included with chiller
9. Wall mounting clips for tubing
10. White "water in" collet
11. Blue "water out" collet



Layout 4

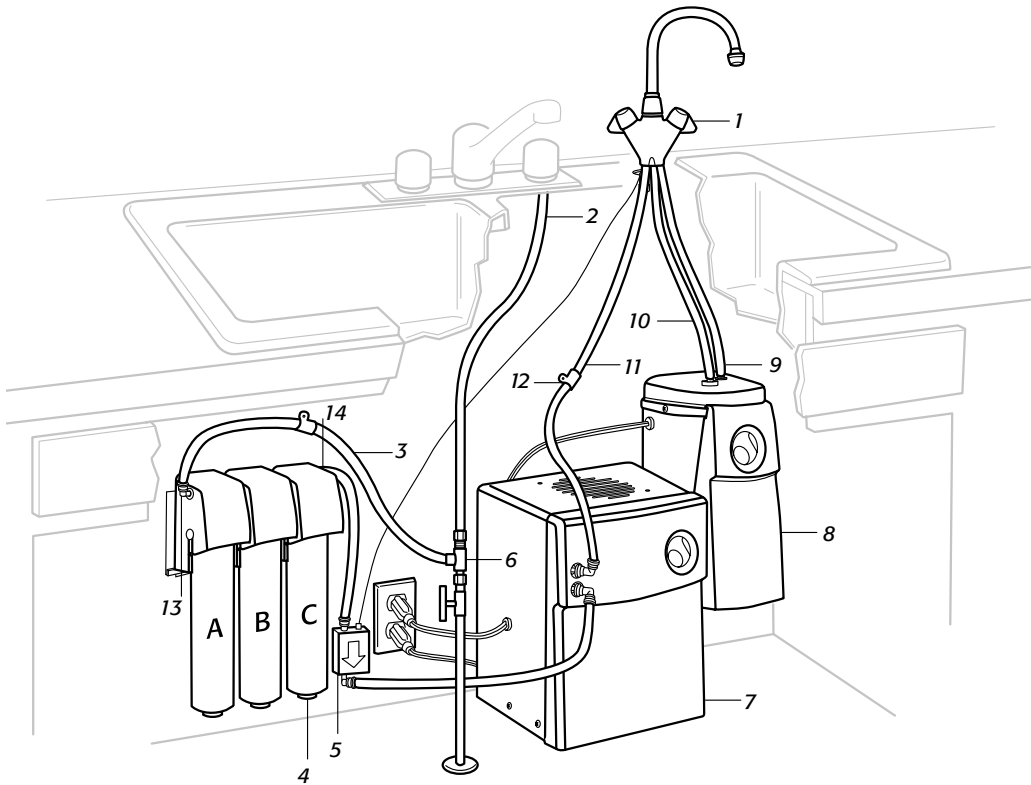
Adding the UltraEase™ DirectHot™ unit (WHAF-0115AF), requires the UltraEase™ Dual water filtration Unit A+B (WHAF-0335AB).

IMPORTANT:

A Dual temperature faucet is included with the DirectHot™ unit. It does not require the faucet model WHAB-6012 or 6013 or 6014 or 6015.

UltraEase™ Specialty water filtration Unit C (WHAF-0435AC) is optional in this layout (sold separately).

1. Dual temperature faucet included with the DirectHot™ unit
2. Cold water supply line
3. White tube included with DirectHot™ unit
4. Specialty filtration sold separately
5. Flow monitor included DirectHot™ unit
6. "T" water line connector included with faucet
7. DirectHot™ unit
8. Yellow tubing
9. Red tubing
10. Wall mounting clips for tubing
11. White "water in" collet
12. Blue "water out" collet



Layout 5

If you wish to add the UltraEase™ DirectHot™ unit (WHAF-0115AF) and the UltraEase™ DirectChill™ unit (WHAF-0115AG), it will require the UltraEase™ Dual water filtration Unit A+B (WHAF-0335AB).

IMPORTANT:

A Dual temperature faucet included with the Direct Hot unit. It does not require the faucet model WHAB-6012 or 6013 or 6014 or 6015. UltraEase™ Specialty water Filtration Unit C (WHAF-0435AC) is optional in this layout (sold separately).

1. Dual temperature faucet included with the DirectHot™ unit
2. Cold water supply line
3. White tubing with included DirectHot™ unit
4. Specialty filtration sold separately
5. Flow monitor included with DirectHot™ unit
6. "T" water line connector included with faucet
7. DirectChill™ unit
8. DirectHot™ unit
9. Yellow tubing
10. Red tubing
11. Blue tubing included with chiller
12. Wall mounting clips for tubing
13. White "water in" collet
14. Blue "water out" collet

Water Supply Requirements

If local codes permit, connect the UltraEase™ modular filtration system feed line to the cold water supply line with the "T" connector (supplied with UltraEase™ faucets product number WHAB-6012, WHAB-6013, WHAB-6014, WHAB-6015 and DirectHot™ unit WHAF-0115AF).

If you are using the UltraEase™ filtration unit, the Directchill™ unit and/or the DirectHot™* unit should be connected after the filtration unit.

IMPORTANT: If local codes do not permit the use of the "T" connector, special feed valves can be obtained from your local plumbing supply distributor. Do not connect the filters to the hot water line. This will ruin the filters. The water pressure to the DirectChill™ unit or DirectHot™* unit should not drop below 30 psi (min.) nor rise above 100 psi (max.).

*Delineated that the DirectHot™ unit is not tested or certified by NSF International.

INSTALLATION INSTRUCTIONS

IMPORTANT:

Do not use with water that is microbiologically unsafe or of unknown quality without adequate disinfection before or after the system. Systems that are certified for cyst reduction may be used on disinfected water that may contain filterable cysts.

Tools and Parts

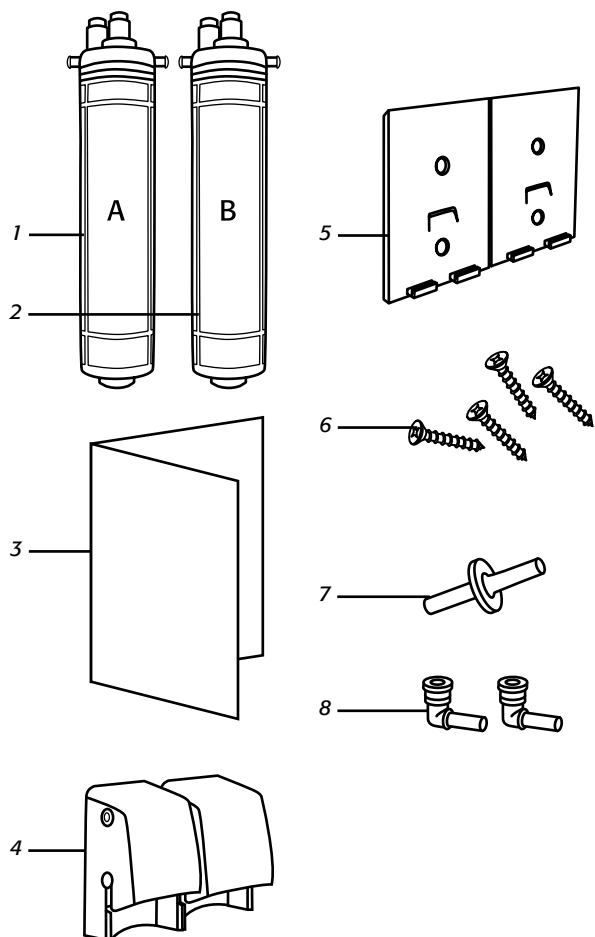
Tools Needed

Assemble the required tools and parts before starting installation. Read and follow the instructions provided with any tools listed here.

- Pencil
- Phillips screwdriver
- Drill with 1/16" drill bit
- Adjustable wrench
- Measuring tape
- Small level
- 1-3/8" hole saw
- Utility knife

Dual stage water filtration system (model WHAF-0335AB)

Parts Supplied

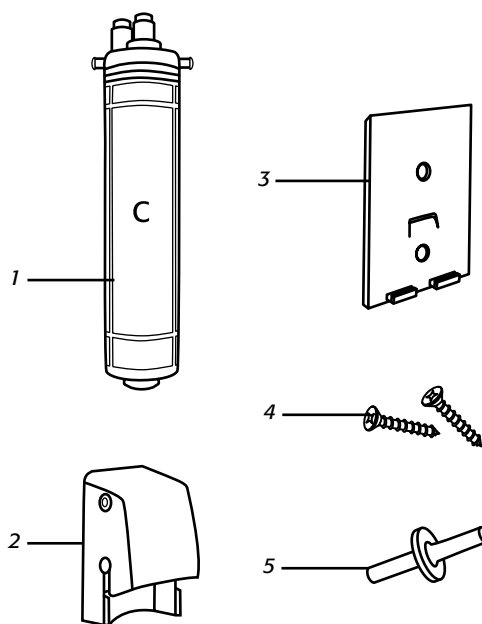


1. Filter cartridge Unit A
2. Filter cartridge unit B
3. Easy-mount template
4. 2 Filterhead valves
5. 2 Mounting brackets

6. 4 Phillips head screws
7. 1 connector tube
8. 2 elbow fittings
(one with blue collet and
one with white collet)

Additional filtration available Specialty water filtration system (model WHAF-0435AC)

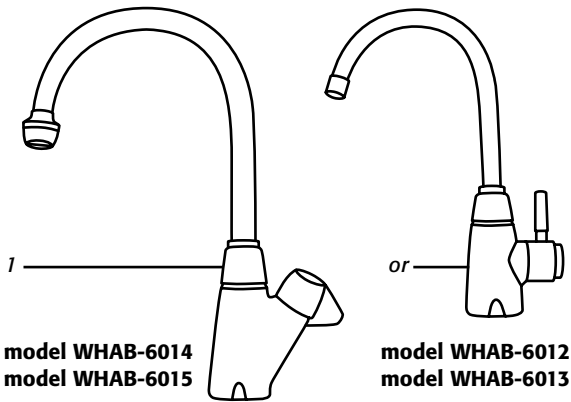
Parts Supplied



1. Filter cartridge Unit C
2. 1 Filterhead valve
3. 1 Mounting bracket

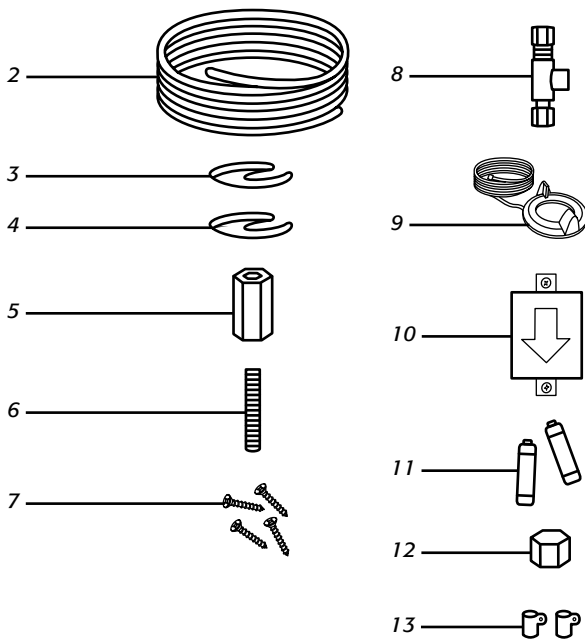
4. 2 Phillips head screws
5. 1 connector tube

Standard or tall neck faucet Parts Supplied



model WHAB-6014
model WHAB-6015

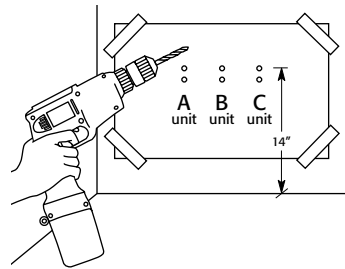
model WHAB-6012
model WHAB-6013



1. Faucet
2. 8 feet of white tubing
3. 1 rubber washer
4. 1 metal retaining bracket
5. 1 retaining nut
6. 1 threaded rod
7. 4 Phillips screw

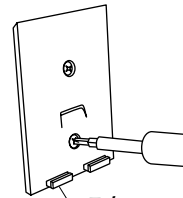
8. "T" water line connector
9. Flow monitor indicator ring and switch
10. Flow monitor
11. 2 AA batteries
12. Cap
13. 2 wall mounting clips

Install the Filterhead Valve and Filter Cartridge



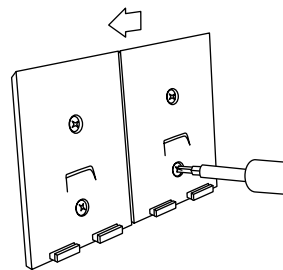
1. Determine the cartridge installation location on the wall under the sink. The mounting template is to help you to locate the mounting bracket. Keep in mind that the center of the top holes on the mounting template must be at least 14" (35.6 cm) from the bottom of the under sink cabinet. Position the mounting template securely with tape. Once template is level, drill the guide holes.

NOTE: Be careful not to drill into plumbing or wiring inside the wall.

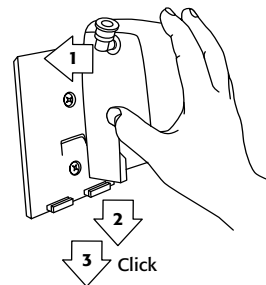


Tabs must be located at the bottom.

2. Using 2 Phillips head screws provided, mount 1 bracket to wall (position on left for Unit A).



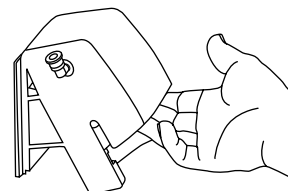
3. Mount Unit B mounting bracket to wall, to the immediate right of Unit A bracket. The brackets should interlock with each other.



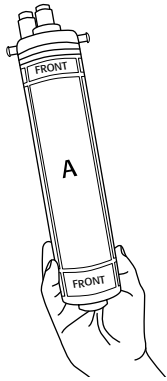
4. Press filterhead valve firmly against the top of the mounting bracket.

Pressing firmly, slowly slide the filterhead valve downwards until both the top and bottom tabs are secure.

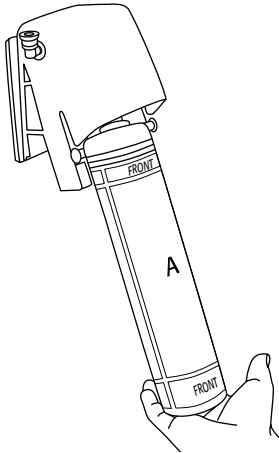
Slide the filterhead valve to the center of the mounting bracket. (You should hear a slight click when filterhead valve is secure).



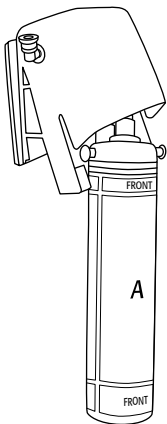
5. Make sure filterhead valve is open by pulling up on the center front.



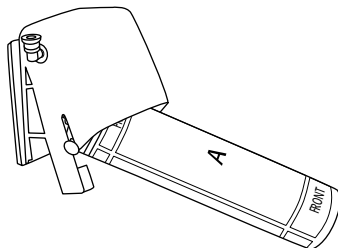
6. Grasp the base of the filter cartridge with the word "Front" facing you.



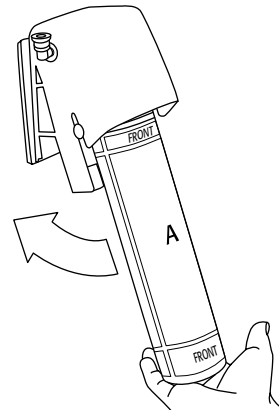
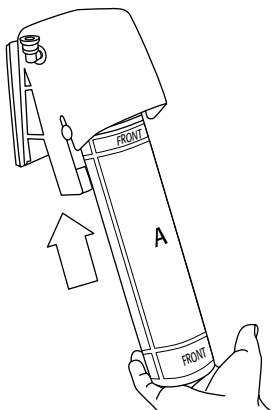
7. Lay the filter cartridge into the filterhead valve cradle.



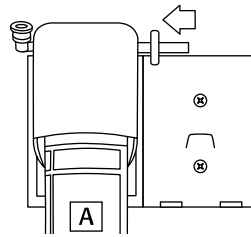
IMPORTANT:
Do not install the filter cartridge as shown below.



8. Push filter cartridge up into the filterhead valve until it stops. The 2 colorstrips should be aligned (one in the filterhead valve cradle and one in the filter cartridge).



9. Push back on a downward arc until the filter cartridge stops.



10. Place the connector tube into the blue collet "water out" on the right side of the first assembled filterhead valve.

How to insert tubing in easy to connect fitting

Insert the tubing squarely. See figure A.
Make sure to insert tube completely. See figure B.
Push in collet while removing tube. See figure C.

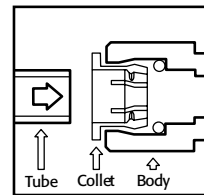


Figure A

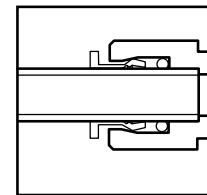


Figure B

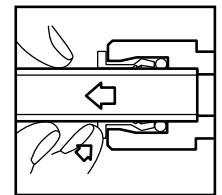
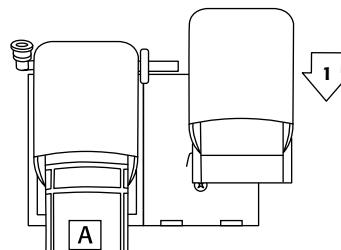
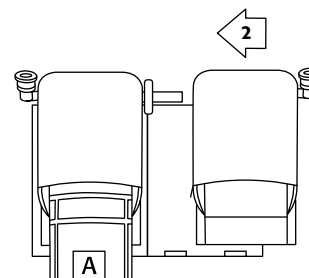


Figure C

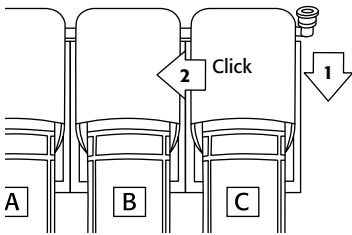


11. Take the "B" filterhead valve and place it at the top right of the mounting bracket. Pressing the filterhead valve firmly against the mounting bracket, slide the unit downwards securing both the top and bottom tabs.



12. Slide the "B" filterhead valve to the left, making sure the connector tube goes into the "B" filterhead valve white collet "water in". Slide to the left until it is centered on the second mounting bracket. (You should hear a slight click, when "B" filterhead valve is secure). If you do not install the filter C, put the elbow fitting with the blue collet into "B" filterhead valve blue collet "water out".

13. Repeat step 5 to install filter B.



14. If you install filterhead valve C, repeat steps 2 to 7. If you do not install filterhead valve C (WHAFF-0435AC), go to "Install the faucet" section.

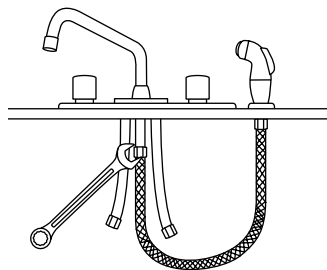
NOTE: At this point, you could install the DirectChill™ unit (WHAFF-0115AG) and/or the DirectHot™ unit with dual faucet (WHAFF-0155AF) sold separately. Please refer to the Use and Care Guides for those specific products.

If you do not install these options, please follow the next steps.

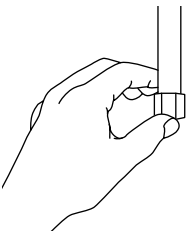
Install the faucet

See the "Location requirements" and the "Water supply requirements" section prior to starting the faucet installation.

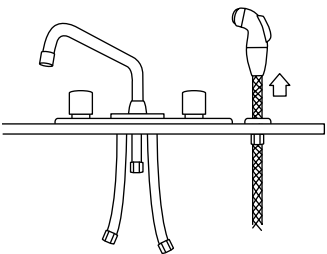
NOTE: If your existing faucet has a removable sprayer and you would like to install your new UltraEase™ faucet in the sprayer hole, start the installation at step 9. If not, start at step 14.



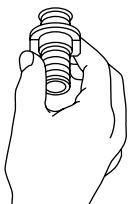
1. Turn off both hot and cold water supply to your faucet. Disconnect sprayer hose from faucet fitting.



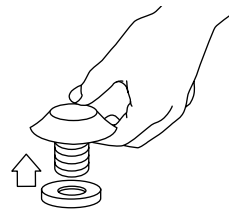
IMPORTANT: Cap the sprayer hose outlet with the included cap. Use seal compound or Teflon® tape to make a water tight seal.



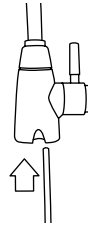
2. Remove sprayer.



3. From under sink, remove locknut of hose guide.



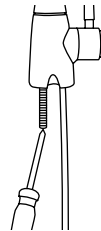
4. Remove hose guide and gasket from sink hole.



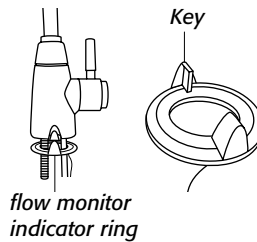
5. With a utility knife, cut the white tubing at 4 feet. Make sure to make a clean cut at a 90° angle.

IMPORTANT: After cutting the tube, squeeze the tubing back to a round shape.

6. Insert the white tubing into the collet at the bottom of the faucet. Make sure if tubing is fully inserted in the collet.

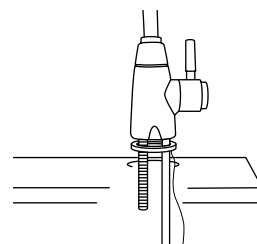


7. Screw the threaded rod into the faucet base with Phillips screwdriver until tight.

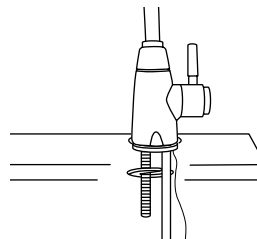


8. Slide the flow monitor indicator ring up to the base of the faucet over the 48" tubing and the threaded rod.

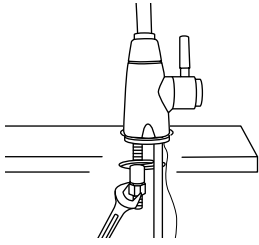
Make sure the key is inserted into the key slot on the faucet bottom.



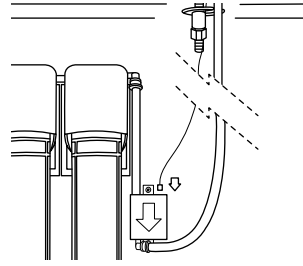
9. Place the rubber washer on the sink surface over the hole. Drop the 48" tubing and faucet assembly down into the hole in the sink. Make sure the flow monitor wire goes in that hole.



10. From below, install the C shape metal retaining plate over the threaded valve.

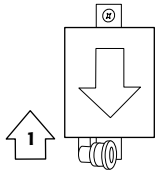


11. Screw on the retaining nut to secure the faucet.



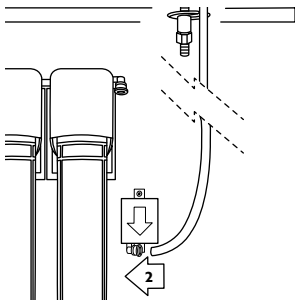
6. Connect the flow monitor wire to the faucet flow monitor by inserting the connection plug into the flow monitor inlet.

Connect faucet to filters

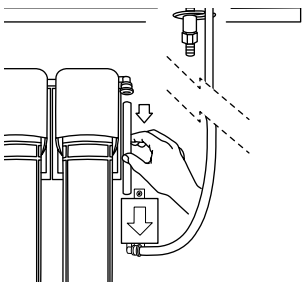


1. Insert elbow fitting with blue collet into the blue collet flow monitor outlet.
2. Insert the white tubing into the blue collet of the elbow of the flow monitor outlet.

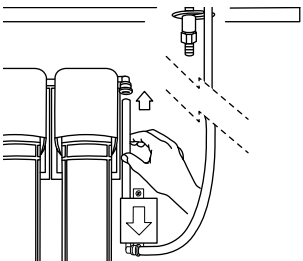
NOTE: If you choose to install the DirectChill™ unit, connect this tubing to the DirectChill™ unit (for more details please refer to the DirectChill™ Use and Care Guide).



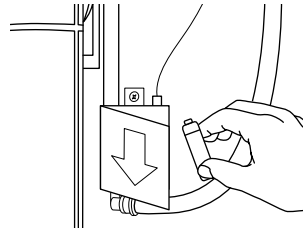
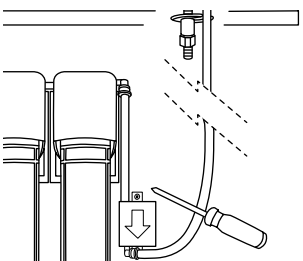
3. Insert the 12" long white tubing into the white collet of the flow monitor inlet.



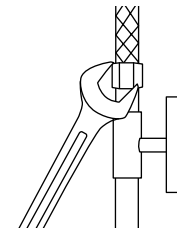
4. Connect the other tubing end to the blue collet elbow of the filterhead valve B (or C if installed).



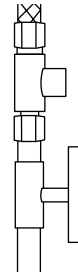
5. With the 2 Phillips head screws, install the flow monitor to the cabinet wall.



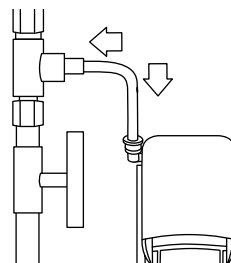
7. Remove screw from cover and install 2 AA batteries in the flow monitor. Replace cover and screw.



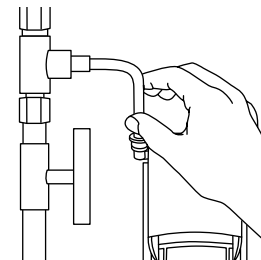
8. Disconnect the cold water line to your sink faucet.



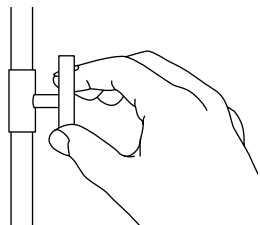
9. Install T-fitting included. Use seal compound or Teflon® tape.



10. Cut the white tubing to fit the required installation location. Push white tubing into easy to connect port of T-fitting. Connect the other end to the filterhead valve elbow fitting of filterhead valve A (white collet).



11. Double check all connections by pulling gently on each portion of tubing.



12. Open the main water line valve. Check all connections for leaks.

IMPORTANT:

Before using the filtration system, follow the flushing procedure in the "Flushing Filtration System" section.

FILTRATION SYSTEM ACCESSORIES

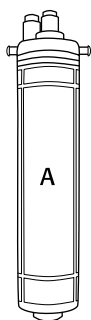
Replacement parts

To know your nearest dealer to buy a replacement filter, call **1-866-363-9472** and ask for the part number listed below.

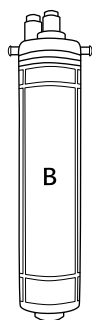
UltraEase™ replacement filter cartridge – Sediment (Unit A):
Part number #WHAB-6009

UltraEase™ replacement filter cartridge – Taste/lead/cyst (Unit B): Part number #WHAB-6010

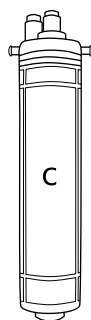
UltraEase™ replacement filter cartridge – Chemicals, VOC's (Unit C): Part number #WHAB-6011



WHAB-6009



WHAB-6010



WHAB-6011

FLUSHING THE FILTRATION SYSTEM

Before using the filtration system, follow these steps.

1. First make sure the new filters are in place and the water supply is on.
2. Flush the filters by opening the sink faucet and letting the water run for approximately 5 minutes. The water will be dark grey or charcoal colored for a few minutes until the water is clear.

NOTE: Do not drink water until it runs clear.

FLOW MONITOR

The flow monitor indicates when it's time to change your filters. The green light indicates the filtration is good. The yellow light indicates the filtration is fair. The red light tells you it is time to change your filter. You will need to replace the filter(s) cartridge(s) and the two AA batteries in the flow monitor (included with replacement filter B, WHAB-6010 and replacement filter C, WHAB-6011).

FAUCET FEATURES

(WHAB-6014, WHAB-6015 models only)

Vegetable sprayer

These two models feature a vegetable sprayer. When needed, pull down the sprayer to get a mist spray. For a regular flow, push the sprayer up.

FAUCET CARE

(WHAB-6014, WHAB-6015 models only)

Cleaning

If you have very hard water, and you notice that the water flow is reduced, it may be necessary to clean the spout screen.

1. Use a small brush and vinegar to remove hard-water deposit.
2. Turn on/off handle to run water briefly to remove vinegar and deposits from screen.

BEFORE CALLING FOR SERVICE...

The filter is expected to last 12 months depending on local water conditions and the volume of water used. We recommend you change your filter approximately every 12 months, however, it can be replaced earlier if there is a drop in water pressure at the faucet.

If the faucet does not operate, check these points first:

- Has the water supply been turned off?
- Check all tubing connections for proper installation.
- Make sure filters are installed properly.

TROUBLESHOOTING

CONDITIONS	ACTIONS
Filterhead valve will not close.	Filter may not be properly installed. Make sure the arrow with the letter inside is facing you as you slide the filter into the filterhead valve.
Water does not flow out.	Check that water supply has been turned on.
Water leaks from tubing connection.	<ul style="list-style-type: none">■ Check that tubing is pushed all the way into the fitting.■ Make sure tubing is cut squarely.■ Make sure tubing has a round shape.■ See the "Install the faucet" section.
Water leaks at filterhead valve and filter cartridge connection.	The O-ring may be damaged. Please call Customer Service at 1-866-363-9472 .
Water does not flow from faucet.	<ul style="list-style-type: none">■ Check that water supply valve is open.■ Check that spout screen is not clogged.■ Water pressure may be too low.
Reduced water flow.	<ul style="list-style-type: none">■ Replace the filters.

If any of the above conditions persist, or if there are other problems with the system, turn off the water supply and contact our Customer Service Department at **1-866-363-9472**.

ULTRAEASE™ FILTRATION UNIT WARRANTY

Warrantor: Addico Products, Inc., 88 Brunswick, Montreal, Quebec, Canada H9B 2C5

ONE-YEAR LIMITED WARRANTY

The Warrantor promises the original purchaser to repair or replace, at Warrantor's option, any part of this UltraEase™ filtration system: Dual filtration system (WHAF-0335AB), Specialty filtration system (WHAF-0435AC) and faucet: Standard faucet (WHAB-6012, WHAB-6013), tall neck faucet (WHAB-6014, WHAB-6015) that proves to be inoperative due to a defect in material or workmanship under normal use, for a period of one (1) year from the date of purchase. This warranty will be honored provided the UltraEase™ filtration system and faucet has been installed and operated in accordance with the written instructions furnished with the UltraEase™ filtration system and faucet excluding filters.

GENERAL PROVISIONS AND EXCLUSIONS

This warranty applies only within Canada and the United States of America. This warranty will be honored if the unit is returned in the original carton (or suitable replacement) along with proof of purchase. This warranty does not apply to bonus and/or accessory items sold with the UltraEase™ filtration system and faucet. This warranty does not apply if the affixed serial number is removed, defaced or obliterated. This warranty does not cover poor performance, failure or damage of any part resulting from external causes such as alterations, abuse, misuse, misapplication, corrosion, liming conditions or acts of God.

This warranty does not cover the freight costs to and from the approved service center.

This warranty and the Underwriter's Laboratory or Canadian Standard Association listing for this UltraEase™ filtration system and faucet are automatically voided if this UltraEase™ filtration system and faucet is altered, modified or combined with any other machine or device. Alteration or modification of this UltraEase™ filtration system and faucet may cause serious flooding, and/or hazardous electrical shock or fire.

Except as set forth here in or required by law, the Warrantor makes no other warranty, guarantee or agreement, express, implied or statutory, including any IMPLIED WARRANTY OF MERCHANTABILITY OR FITNESS FOR A PARTICULAR PURPOSE. The Warrantor does not assume or authorize any person to assume any obligations of liability in connection with this product. In no event will the Warrantor be liable for indirect, special or consequential damages (including, without limitation, economic loss) or for any delay in the performance of this agreement due to causes beyond its control.

Some states or provinces do not allow limitations on how long an implied warranty lasts, so the above limitation may not apply to you. Some states or provinces do not allow the exclusion or limitation of incidental or consequential damages, so the above limitation or exclusion may not apply to you. This warranty gives you specific legal rights, and you may also have other rights which vary from state to state or from province to province.

If you need service, first see "Troubleshooting." Additional help can be found by checking "Assistance or Service," or by calling our customer service line at **1-866-363-9472**, Monday through Friday, from 8:00 a.m. to 9:00 p.m. (EST), or write: Whirlpool Water Products P.O. Box 13150, Columbus, OH 43213-0150

PERFORMANCE DATA SHEETS

Water Filtration System, models WHAF-0335AB, WHAF-0435AC Replacement Filter A (model WHAB-6009) Replacement Filter B (model WHAB-6010) Replacement Filter C (model WHAB-6011)



The system conforms to ANSI/NSF 42 and 53 for the specific performance claims as verified and substantiated by test data. The system has been tested according to ANSI/NSF 42 and 53 for reduction of substances listed below. The concentration of the indicated substances in water entering the system was reduced to a concentration less than or equal to the permissible limit for water leaving the system, as specified in ANSI/NSF 42 and 53.

DATA SHEET REDUCTION CLAIMS

ANSI/NSF STANDARD 42		CARBON FILTER TESTED: Lead/Cyst	
Substance	Influent challenge concentration	Avg. % Rej.	Reduction requirement
Chlorine, taste and odor	2.0 mg/L \pm 10%	97.5	50%
Particulate, Class I particles 0.5 mm to <1 mm	At least 10,000 particles/ml	97.0	85%

ANSI/NSF STANDARD 53		CARBON FILTER TESTED: Lead/Cyst	
Substance	Influent challenge concentration mg/L	Avg. % Rej.	Max. permissible product water concentration mg/L
Turbidity	11 \pm 1 NTU	96.50	0.5 NTU
Lead pH 6.5	0.15 \pm 10%	99.30	0.010
Lead pH 8.5	0.15 \pm 10%	99.30	0.010
VOC*	Refer to pages 17 and 18 for individual contaminant performance data.		
Mercury*	0.006 \pm 10%	96.50	0.002
MTBE*	0.015 \pm 20%	94.20	0.005

*VOC, MTBE and Mercury claims only apply when filter WHAB-6011 is use in conjunction with filter WHAB-6009 or WHAB-6010.

Substance	Influent challenge concentration	Avg. % Rej.	Reduction requirement
Cysts	Min. 50,000/L	99.99	99.95%
Asbestos	10 ⁷ to 10 ⁸ fibers/L: fibers greater than 10 μ m in length	99.00	99.00%

NOTE: Certification for Cysts reduction includes Cryptosporidium and Giardia lamblia.

OUTPUT PERFORMANCE RATED AT CONTAMINANT REDUCTION TEST PARAMETERS

SERVICE FLOW RATE AND CAPACITY

2.3 Liters/minute (0.6 gallon/minute)
Actual rate varies according to water pressure.

Capacity of 4542 Liters (1200 gallons)

NOTES:

- Testing was performed under standard laboratory conditions. System performance may vary according to local water conditions.
- Contaminants listed in this Data Sheet are not necessarily in your water.
- We recommend your water be tested to determine treatment requirements.

PERFORMANCE DATA SHEETS

Water Filtration System, models WHAF-0335AB, WHAF-0435AC Replacement Filter A (model WHAB-6009) Replacement Filter B (model WHAB-6010) Replacement Filter C (model WHAB-6011)

REFERENCE DATA

CONDITIONS FOR SYSTEM USE

Source Water Supply Profile		Application Guidelines
Community/Private	Chlorinated/NonChlorinated	Use this drinking water system on potable water supply only.
System Pressure	208 – 690 kPa (30-100 psig)	CAUTION: Do not use with water that is microbiologically unsafe or of unknown quality without adequate disinfection before or after the system.
Temperature	4° - 38° C (40° - 100° F)	

NOTE: Systems certified for cyst reduction may be used on disinfected waters that may contain filterable cysts.

Filtration Assembly Major Components	Component Part Number	Routine Maintenance
Sediment Filter	WHAB-6009 (A)	Replace filters as required
Lead & Cyst Filter	WHAB-6010 (B)	or every 6 to 12 months
VOC Filter	WHAB-6011 (C)	depending on feed water quality.

Water Quality Monitor/Performance Indicator:

A monitor is used to track the number of gallons that flows through the filtration system. The monitor is preset at the factory to indicate when it is time to change the filters. When the water is flowing, either the green "good" light will illuminate indicating less than the rated gallon count or the yellow "fair" light will illuminate indicating the rated gallon count has been exceeded. The red light will illuminate during water flow if a year has passed since previous filter change or the gallon count has been exceeded. The monitor should be reset each time the filters are replaced. Two AA batteries, located inside the monitor box at the filter outlet, supply power to the monitor. Reset the monitor by removing the batteries, then putting them back in. Replace batteries yearly or at filter change to ensure uninterrupted monitoring. Two AA batteries are included with each replacement filter A.

PERFORMANCE DATA SHEETS

Water Filtration System, model WHAF-0435AC Replacement Filter C (model WHAB-6011)

VOLATILE ORGANIC CHEMICALS/VOC's

NOTE: Volatile Organic Chemicals (VOC's) are synthetic chemicals that readily vaporize at room temperature.

CARBON FILTERS TESTED: 1m Extruded carbon, Lead/Cyst

Substance	Influent challenge concentration mg/L	Max.permissible product water concentration mg/L	Drinking water regulatory level' (MCL/MAC) mg/L
Alachlor	0.050	0.001	0.002
Atrazine	0.100	0.003	0.003
Benzene	0.081	0.001	0.005
Carbofuran	0.190	0.001	0.040
Carbon Tetrachloride	0.078	0.0018	0.005
Chlorobenzene	0.077	0.001	0.100
Chloropicrin	0.015	0.0002	---
2,4-D	0.110	0.0017	0.070
Dibromochloropropane (DBCP)	0.052	0.00002	0.0002
o-Dichlorobenzene	0.080	0.001	0.600
p-Dichlorobenzene	0.040	0.001	0.075
1,2-Dichloroethane	0.088	0.0048	0.005
1,1-Dichloroethylene	0.083	0.001	0.007
Cis-1,2-Dichloroethylene	0.170	0.0005	0.070
Trans-1,2-Dichloroethylene	0.086	0.001	0.100
1,2-Dichloropropane	0.080	0.001	0.005
Cis-1,3-Dichloropropylene	0.079	0.001	---
Dinoseb	0.170	0.0002	0.007
Endrin	0.053	0.00059	0.002
Ethylbenzene	0.088	0.001	0.700
Ethylene Dibromide (EDB)	0.044	0.00002	0.00005
Haloacetonitriles (HAN):			
Bromochloroacetonitrile	0.0022	0.0005	---
Dibromoacetonitrile	0.024	0.0006	---
Dichloroacetonitrile	0.0096	0.0002	---
Trichloroacetonitrile	0.0015	0.0003	---
Haloketones (HK):			
1,1-dichloro-2-propanone	0.0072	0.0001	---
1,1,1-trichloro-2- propanone	0.0082	0.0003	---
Heptachlor	0.25	0.0001	0.0004
Heptachlor epoxide	0.0107	0.0002	0.0002
Hexachlorobutadiene	0.044	0.001	---
Hexachlorocyclopentadiene	0.060	0.000002	0.050
Lindane	0.055	0.00001	0.0002
Methoxychlor	0.050	0.0001	0.040
Pentachlorophenol	0.096	0.001	0.001
Simazine	0.120	0.004	0.004
Styrene	0.150	0.0005	0.100

*VOC, MTBE and Mercury claims only apply when filter WHAB-6011 is use in conjunction with filter WHAB-6009 or WHAB-6010.

PERFORMANCE DATA SHEETS

Water Filtration System, model WHAF-0435AC Replacement Filter C (model WHAB-6011)

VOLATILE ORGANIC CHEMICALS/VOC's (continued)

CARBON FILTERS TESTED: 1m Extruded carbon, Lead/Cyst

Substance	Influent challenge concentration mg/L	Max.permmissible product water concentration mg/L	Drinking water regulatory level' (MCL/MAC) mg/L
1,1,2,2-tetrachloroethane	0.081	0.001	---
Tetrachloroethylene	0.081	0.001	0.005
Toluene	0.078	0.001	1.000
2,4,5-TP (silvex)	0.270	0.0016	0.050
Tribromoacetic acid	0.042	0.001	---
1,2,4-Trichlorobenzene	0.160	0.0005	0.070
1,1,1-Trichloroethane	0.084	0.0046	0.200
1,1,2-Trichloroethane	0.150	0.0005	0.005
Trichloroethelyne	0.180	0.001	0.005
Trihalomethanes (includes):			
Chloroform (surrogate chemical)	0.300	0.015	0.080
Bromoform	0.300	0.015	0.080
Bromodichloromethane	0.300	0.015	0.080
Chlorodibromomethane	0.300	0.015	0.080
Xylenes (total)	0.070	0.001	10

Notes:

1. These harmonized values were agreed upon by representatives of USEPA and Health Canada for the purpose of evaluating products to the requirements of ANSI/NSF Standard 53.
2. Influent challenge levels are average influent concentrations determined in surrogate qualification testing.
3. Maximum permissible product water concentration was not observed but was set at the detection limit of the analysis.
4. Maximum permissible product water concentration is set at a value determined in surrogate qualification testing.
5. Maximum permissible product water level calculated at chloroform 95% breakthrough point as determined in surrogate qualification testing.
6. The surrogate test results for heptachlor epoxide demonstrated a 98% reduction. These data were used to calculate an upper occurrence concentration, which would produce a maximum product water level at the MCL.

For purchases made in Iowa:

This form must be signed and dated buy the buyer and seller prior to consummation of this sale.

This form should be retained on file by the seller for a minimum of two years.

BUYER:

Name _____

Address _____

City _____

State/Zip _____

Signature/Date _____

SELLER:

Name _____

Address _____

City _____

State/Zip _____

Signature/Date _____

TESTED AND CERTIFIED TO ANSI/NSF® 42 & 53 FOR SPECIFIC CONTAMINANT CLAIMS AS VERIFIED AND SUBSTANTIATED BY TEST DATA

PRESENTACIÓN DEL SISTEMA DE PURIFICACIÓN MODULAR ULTRAEASE™ PARA INSTALAR BAJO FREGADEROS

Bienvenido a una nueva era en sistemas domésticos de purificación de agua.

Muchas gracias por haber adquirido el sistema de purificación modular UltraEase™, la más reciente e innovadora línea en sistemas de purificación para instalar bajo fregaderos de Whirlpool. Gracias a este sistema Ud. podrá disfrutar de una fuente inagotable de agua sabrosa durante muchos años.

Es posible que depósitos de óxido, arena, limo y hierro se mezclen con el agua durante los tratamientos en las plantas de purificación o al pasar por las cañerías deterioradas de su hogar. También altos niveles de cloro, plomo y esporas pueden contribuir al deterioro de la calidad de agua. El nuevo sistema de purificación UltraEase™ con filtros de fácil instalación disminuyen notablemente la presencia de dichas partículas del suministro de agua potable mediante un proceso muy sencillo.

Los cartuchos de la unidad de purificación con certificación NSF han sido puestos a prueba y pueden procesar más de 1200 galones (4542 litros) de agua antes de cambiarlos (aproximadamente de 6 a 12 meses* de uso dependiendo del consumo y caudal del agua. Para mayor información, remítase a la última página). Con este sistema, cambiar un filtro resulta muy sencillo: un simple movimiento para levantar y trabar (lift n'snap) con llave de paso automática incluida. Si en algún momento decidiera optimizar el sistema por uno más completo, el diseño modular de filtros de fácil conexión UltraEase™ le permitirá agregar fácilmente otros componentes que filtrarán agentes químicos para obtener agua más sabrosa aún. También es posible agregar al sistema las unidades DirectChill™ y/o DirectHot™.

* Es posible que los contaminantes u otras sustancias retirados o disminuidos por este sistema de purificación no se encuentren presentes en el suministro de agua que llega a su hogar. La vida útil del filtro depende de las condiciones del suministro de agua local y del volumen consumido. Le sugerimos que cambie el filtro cada 12 meses. Sin embargo, lo puede cambiar antes si nota una disminución en la presión del agua o si el monitor así lo indica.

ASISTENCIA O SERVICIO TÉCNICO

En caso de necesitar asistencia o servicio técnico, lea la sección "Guía de problemas y soluciones". También podrá obtener asistencia llamando al **1-866-363-9472**, de lunes a viernes de 8:00 a 18:00. Si desea escribirnos, envíe su carta a:

Whirlpool Water Products
P.O. Box 13150
Columbus, OH 43213-0150

Por favor, incluya en su carta un número de teléfono diurno donde podamos contactarlo.

Para instalación y servicio técnico, llame al **1-866-363-9472** o visite nuestra página web: www.whirlpool.com.

Guarde este manual y el comprobante de compra para referencia futura. Para acceder al servicio ofrecido bajo los términos de la garantía, deberá presentar prueba de compra o comprobante de fecha de instalación.

Complete la siguiente información sobre esta unidad para que le resulte más fácil obtener asistencia o servicio técnico si fuera necesario. Deberá incluir el número completo de modelo. Encontrará esta información en el empaque.

Nombre del distribuidor _____

Dirección _____

Número de teléfono _____ Número de modelo _____

Fecha de compra _____

REQUISITOS PARA LA INSTALACIÓN

IMPORTANTE:

Respete todos los códigos y las ordenanzas reguladores. Verifique el lugar dónde instalará el grifo. Asegúrese de contar con todos los elementos necesarios para efectuar una instalación correcta. El instalador debe cumplir con las especificaciones de instalación al igual que con los códigos estatales y locales que rigen una instalación sanitaria.

Para instalar el grifo, deberá perforar un orificio de 1 3/8" (3,5 cm) de diámetro en el fregadero o en el mostrador de la cocina. El grifo puede ser instalado en el orificio del rociador. Si decide no instalar el grifo en el orificio del rociador, es conveniente solicitar los servicios de un instalador profesional para que perfore el fregadero o el mostrador. El diámetro del orificio no debe ser de más de 1 3/4" (4,4 cm).

Es necesario contar con un suministro de agua fría. Ver la sección "Requisitos del suministro de agua". Los conectadotes para las tuberías utilizan accesorios de fácil conexión que no requieren selladores de juntas para impedir fugas.

Requisitos para la ubicación Disposición de las unidades de purificación

Nota:

En los accesorios de instalación de fácil conexión, el collar blanco corresponde a la "entrada de agua" y el collar azul a la "salida de agua".

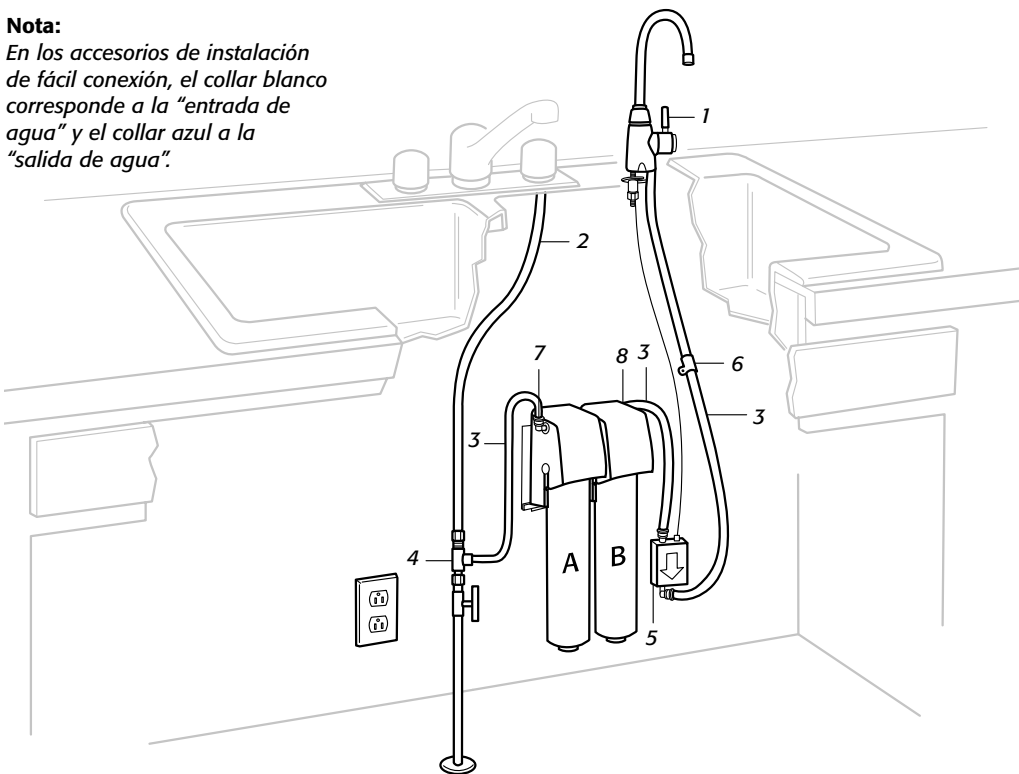


Diagrama 1:

Si desea instalar la unidad A+B para el sistema de purificación en dos etapas UltraEase™ (WHAF-0335AB), necesitará un grifo Whirlpool™ UltraEase™ (WHAB-6012, 6013, 6014 o 6015 que se venden por separado).

Si no va a instalar el grifo en el orificio del rociador, perfore un orificio de 1-3/8" (3,5 cm) de diámetro sobre el fregadero o el mostrador.

Espesor máximo de 1-3/4" (4,4 cm) para el mostrador o el fregadero.

1. Grifo instalado en el orificio del rociador sobre el fregadero (los diseños varían según el modelo).
2. Entrada del agua fría.
3. Tubo blanco incluido con el grifo.
4. Pieza de conexión en forma de "T" incluida con el grifo.
5. Monitor de circulación de agua incluido con el grifo.
6. Soportes de pared para sostener el tubo.
7. Collar blanco para la entrada de agua.
8. Collar azul para la salida de agua.

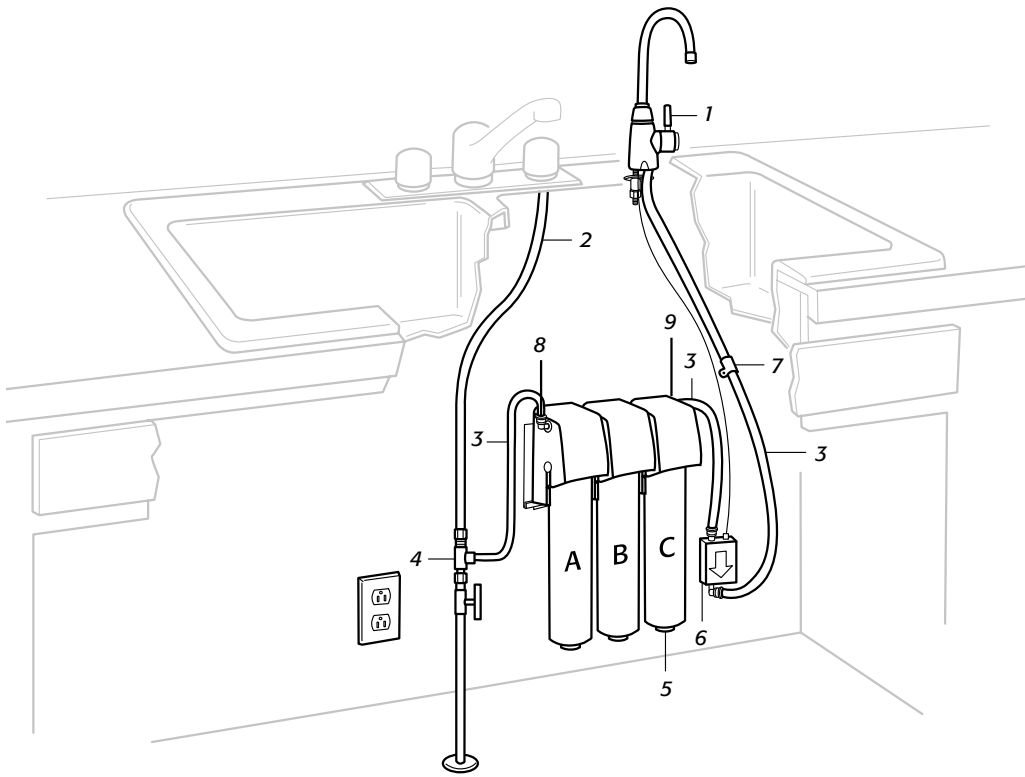


Diagrama 2:

Si desea instalar la unidad de filtración C para el sistema de purificación especializadas UltraEase™ (WHAF-0435C que se vende por separado), necesitará la unidad A+B de filtración para el sistema de purificación en dos etapas UltraEase™ (WHAF-0335AB), y un grifo Whirlpool™ UltraEase™ (WHAB-6012, 6013, 6014 o 6015) que se venden por separado.

1. Grifo instalado en el orificio del rociador sobre el fregadero (los diseños varían según el modelo).
2. Entrada del agua fría.
3. Tubo blanco incluido con el grifo.
4. Pieza de conexión en forma de "T" incluida con el grifo.
5. Unidad para el sistema de purificación especializada (se vende por separado)
6. Monitor de circulación de agua incluido con el grifo.
7. Soportes de pared para sostener el tubo.
8. Collar blanco para la entrada de agua.
9. Collar azul para la salida de agua.

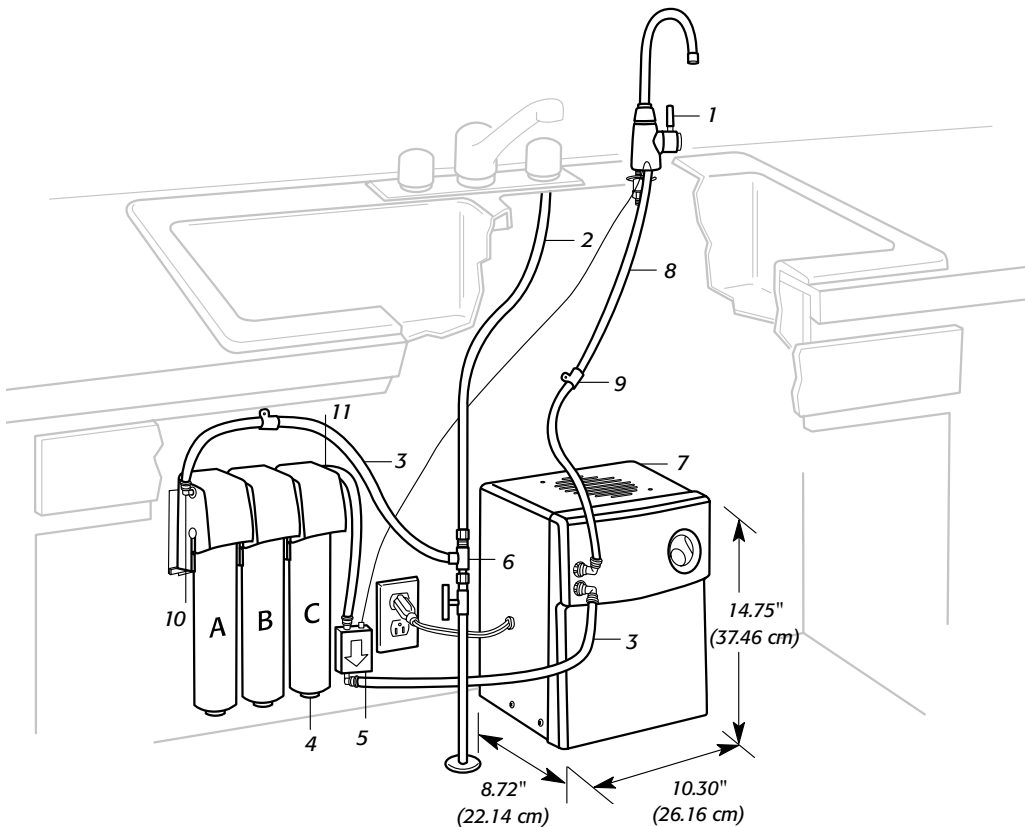


Diagrama 3:

Si desea agregar la unidad UltraEase™ DirectChill™ (WHAF-0115AG), necesitará la unidad A+B de filtración para el sistema de purificación en dos etapas UltraEase™ (WHAF-0335AB), y un grifo Whirlpool™ UltraEase™ (WHAB-6012, 6013, 6014 o 6015) que se venden por separado.

La unidad C para el sistema de purificación especializada UltraEase™ (WHAF-0435AC) es un accesorio para este tipo de instalación (se vende por separado).

1. Grifo instalado en el orificio del rociador sobre el fregadero (los diseños varían según el modelo).
2. Entrada del agua fría.
3. Tubo blanco incluido con el grifo.
4. Unidad para el sistema de purificación especializada (se vende por separado).
5. Monitor de circulación de agua incluido con el grifo.
6. Pieza de conexión en forma de "T" incluida con el grifo.
7. Unidad DirectChill™
8. Tubo azul incluido con la unidad refrigeradora
9. Soportes de pared para sostener el tubo.
10. Collar blanco para la entrada de agua.
11. Collar azul para la salida de agua.

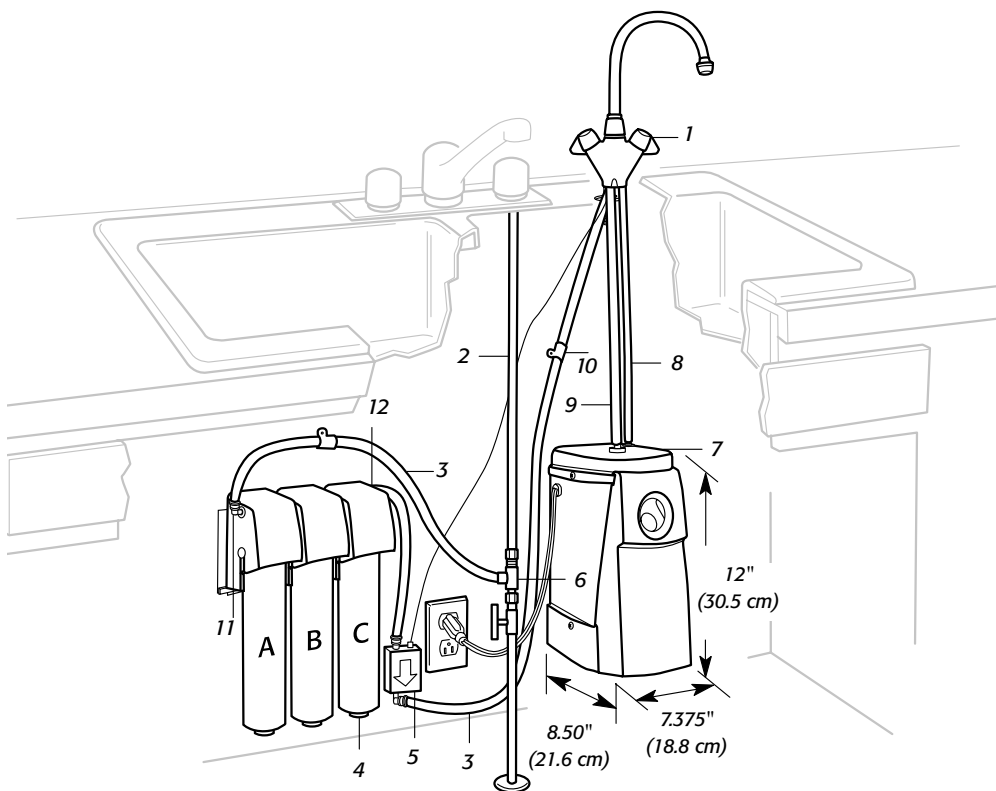


Diagrama 4:

Si desea agregar la unidad UltraEase™ DirectHot™ (WHAF-0115AF), necesitará la unidad A+B de filtración para el sistema de purificación en dos etapas UltraEase™ (WHAF-0335AB).

IMPORTANTE:

La unidad DirectHot™ incluye un grifo doble especial. En este caso no será necesario que instale el grifo modelo WHAB-6012, 6013, 6014 o 6015.

La unidad C para el sistema de purificación especializada UltraEase™ (WHAF-0435AC) es un accesorio para este tipo de instalación (se vende por separado).

1. Grifo doble especial incluido con la unidad DirectHot™.
2. Entrada del agua fría.
3. Tubo blanco incluido con la unidad DirectHot™.
4. Unidad para el sistema de purificación especializada (se vende por separado).
5. Monitor de circulación de agua incluido con la unidad DirectHot™.
6. Pieza de conexión en forma de "T" incluida con el grifo.
7. Unidad DirectHot™.
8. Tubo amarillo.
9. Tubo rojo.
10. Soportes de pared para sostener el tubo.
11. Collar blanco para la entrada de agua.
12. Collar azul para la salida de agua.

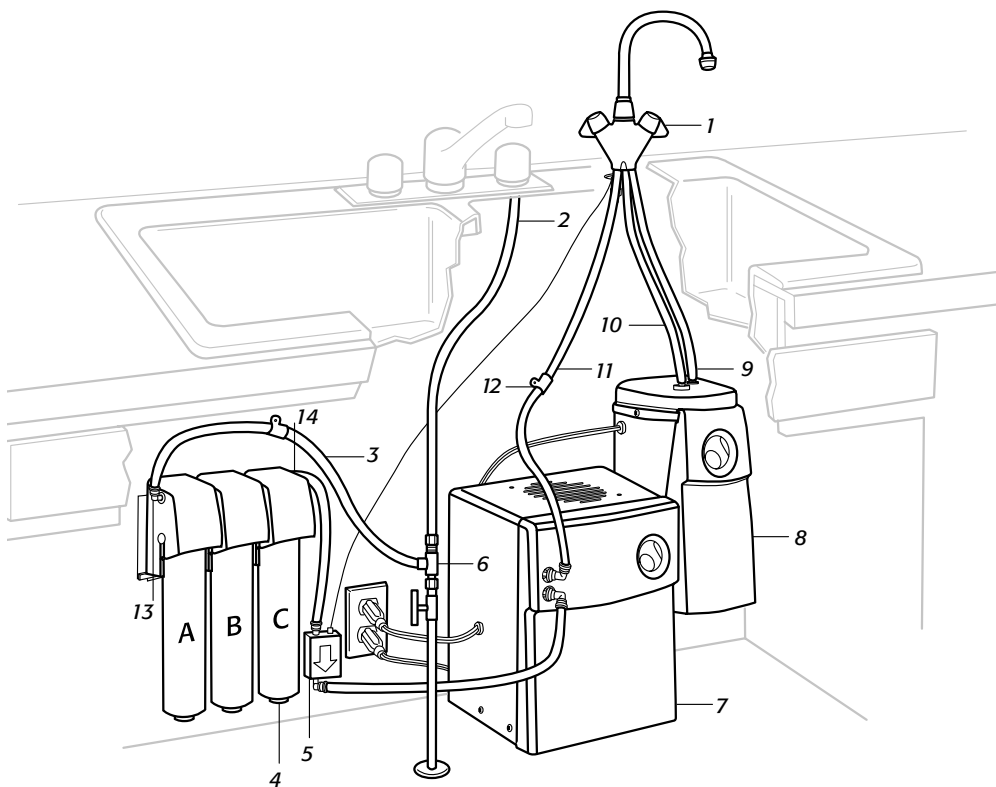


Diagrama 5:

Si desea agregar la unidad UltraEase™ DirectHot™ (WHAF-0115AF) y la unidad UltraEase™ DirectChill™ (WHAF-0115AG), necesitará la unidad A+B de filtración para el sistema de purificación en dos etapas UltraEase™ (WHAF-0335AB).

IMPORTANTE:

La unidad DirectHot™ incluye un grifo doble especial. En este caso no será necesario que instale el grifo modelo WHAB-6012, 6013, 6014 o 6015. La unidad C para el sistema de purificación especializada UltraEase™ (WHAF-0435AC) es un accesorio para este tipo de instalación (se vende por separado).

1. Grifo doble especial incluido con la unidad DirectHot™.
2. Entrada del agua fría.
3. Tubo blanco incluido con la unidad DirectHot™.
4. Unidad para el sistema de purificación especializada (se vende por separado).
5. Monitor de circulación de agua incluido con la unidad DirectHot™.
6. Pieza de conexión en forma de "T" incluida con el grifo.
7. Unidad DirectChill™.
8. Unidad DirectHot™.
9. Tubo amarillo.
10. Tubo rojo.
11. Tubo azul incluido con la unidad refrigeradora.
12. Soportes de pared para sostener el tubo.
13. Collar blanco para la entrada de agua.
14. Collar azul para la salida de agua.

Requisitos del suministro de agua

Si las normas locales lo permiten, la entrada de agua fría del sistema de purificación modular UltraEase™ debe estar conectada con la pieza de conexión en forma de T (incluida con los grifos UltraEase™, número de producto WHAB-6012, 6013, 6014 o 6015 y con la unidad DirectHot™ WHAF-0115AF).

Si va a instalar la unidad de purificación UltraEase™, la unidad DirectChill™ y/o la unidad DirectHot™* conecte primero la unidad purificadora y luego las otras dos.

IMPORTANTE: Si los códigos locales le impiden utilizar la pieza de conexión en forma de T, es posible procurarse llaves de alimentación especiales en cualquier comercio de plomería. No conecte los filtros a las líneas de alimentación del agua caliente ya que podría arruinar los filtros. La presión del agua a la unidad DirectChill™ o a la unidad DirectHot™ no debe caer a menos de 30 psi (mín.) ni subir a más de 100 psi (máx.).

INSTRUCCIONES PARA LA INSTALACIÓN

IMPORTANTE:

No utilizar con agua cuyos contenidos microbiológicos sean dudosos o de calidad incierta sin antes haberla desinfectado adecuadamente. Los sistemas certificados para la disminución de esporas pueden ser utilizados con agua desinfectada que pueda contener esporas filtrantes.

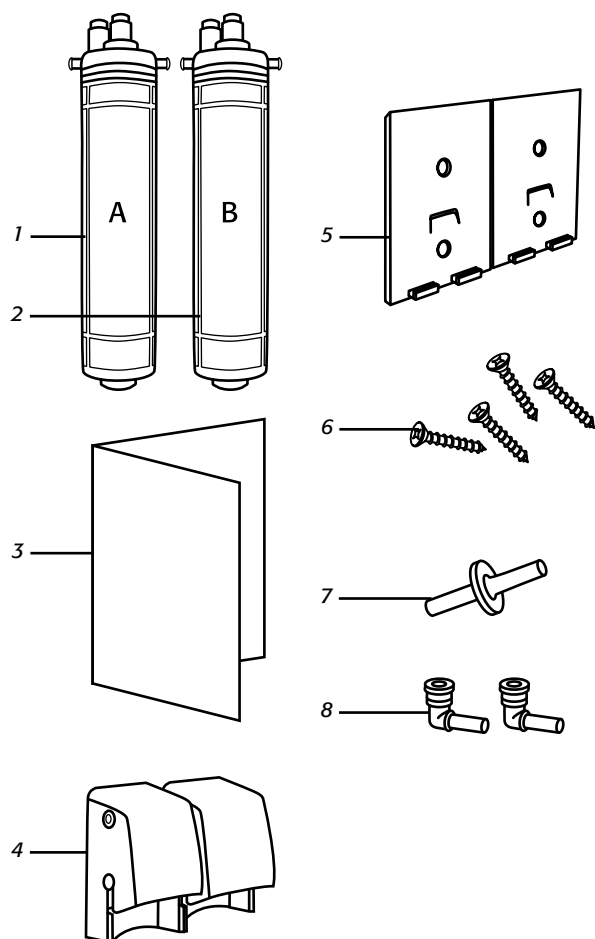
Herramientas y piezas

Herramientas necesarias

Asegúrese de tener todas las herramientas y las piezas necesarias a mano antes de proceder a la instalación. Lea y siga estas instrucciones y utilice las herramientas enumeradas.

- Lápiz
- Destornillador con lámina de cruz (Phillips)
- Taladro con broca de 1/16"
- Llave de tuercas ajustable
- Cuchilla
- Sierra de perforación de 1-3/8"
- Cinta métrica
- Nivel pequeño

Sistema de purificación en dos etapas (modelo WHAF-0335AB) Piezas incluidas

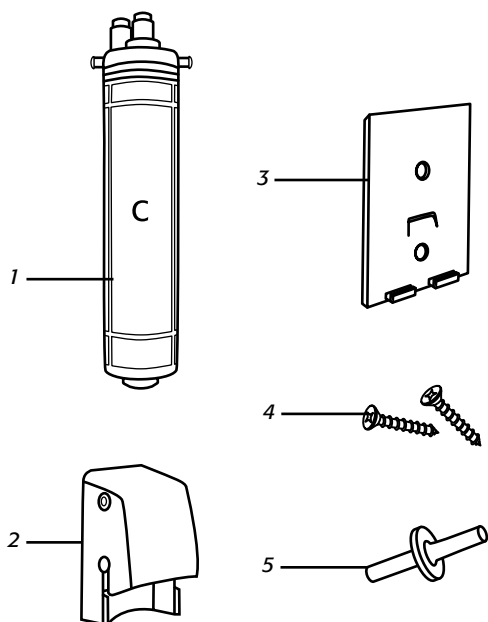


1. Cartucho que contiene el filtro para la unidad A
2. Cartucho que contiene el filtro para la unidad B
3. Patrón de fácil montaje
4. 2 válvulas para la cabeza del filtro

5. 2 soportes de fijación
6. 4 tornillos con cabeza de cruz (Phillips)
7. Un conector
8. Dos codos (uno con collar azul y otro con collar blanco)

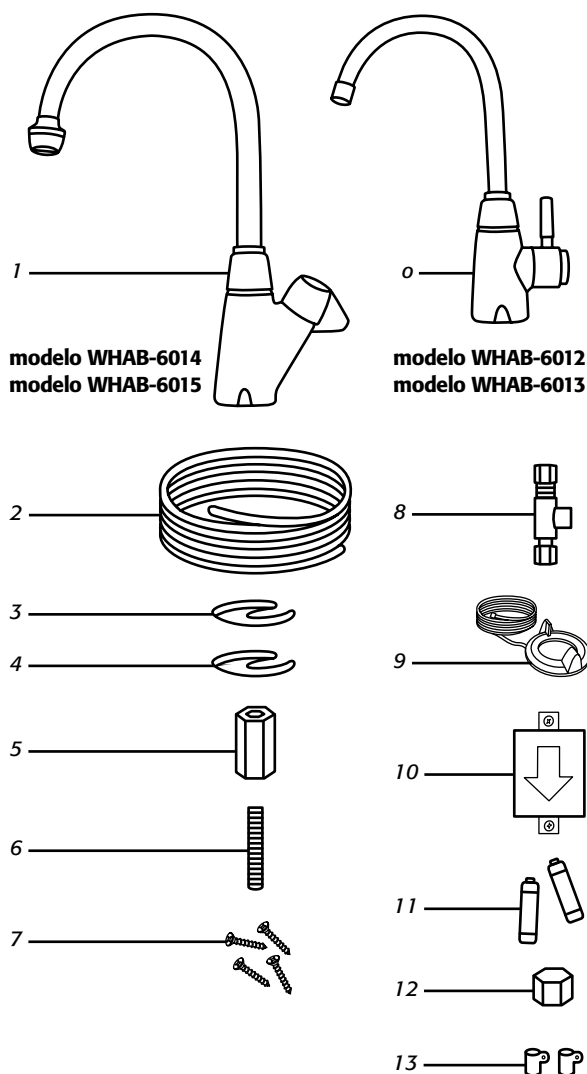
*La unidad DirectHot™ no ha sido verificada ni certificada por el instituto NSF International.

Purificación auxiliar disponible
Sistema de purificación especializada
(modelo WHAF-0435AC)
Piezas incluidas



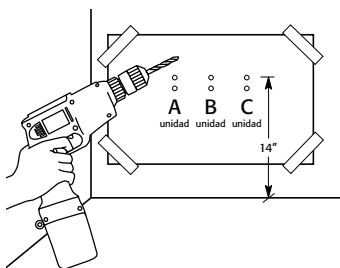
- 1. Cartucho que contiene el filtro para la unidad C
- 2. 1 válvula para la cabeza del filtro
- 3. Un soporte de fijación
- 4. 2 tornillos con cabeza de cruz (Phillips)
- 5. Un conector

Grifo estándar o de cuello alto
Piezas incluidas



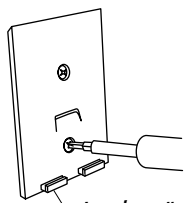
- 1. Grifo
- 2. 8 pies (2,35 metros) de tubo blanco
- 3. Una arandela de caucho
- 4. Una abrazadera de retención en metal
- 5. Una tuerca de retención
- 6. Una varilla roscada
- 7. 4 tornillos con cabeza de cruz (Phillips)
- 8. Pieza de conexión en forma de "T" para la entrada de agua
- 9. Anillo e interruptor del monitor de circulación de agua
- 10. Monitor de circulación de agua
- 11. 2 pila AA
- 12. Tapón de tubería
- 13. Dos sujetadores

Instalación de la válvula de la cabeza del filtro y del cartucho que contiene el filtro



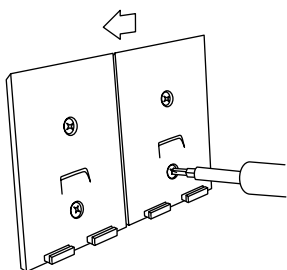
1. Establezca en que parte del muro que se encuentra debajo del fregadero instalará el cartucho. El patrón de montaje le ayudará a ubicar el soporte de fijación. Recuerde que el centro de los orificios del patrón de montaje debe quedar a 14" (35,6 cm) de la plancha inferior del armario de cocina. Adhiera el patrón de montaje con cinta adhesiva. Una vez que el patrón esté bien nivelado, perforo los orificios guía.

NOTA: Asegúrese de no perforar ni tuberías ni cables eléctricos que se encuentren dentro de los muros.

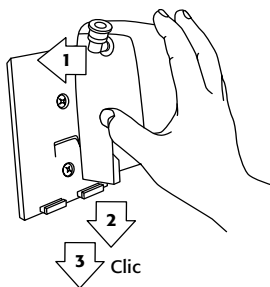


Las lengüetas deben quedar apuntando hacia abajo

2. Fije uno de los soportes de fijación con dos tornillos de cruz incluidos (ubíquelo a la izquierda de la unidad A).



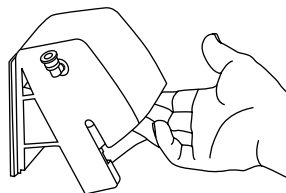
3. Fije el soporte de fijación para la Unidad B a la derecha del soporte para la Unidad A. Los dos soportes deben quedar trabados entre sí.



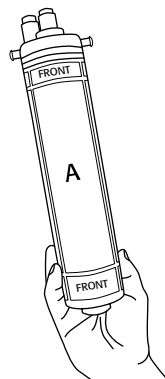
4. Apoye la válvula de la cabeza del filtro contra la parte superior del soporte de fijación.

Deslice lentamente la válvula de la cabeza del filtro hacia abajo, ejerciendo presión constante, hasta que las lengüetas de la parte superior y de la parte inferior se traben.

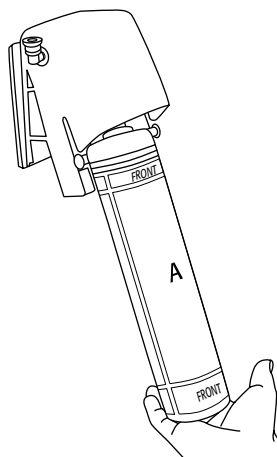
Continúe deslizando la válvula de la cabeza del filtro hasta que quede bien centrada (escuchará "clic" una vez que la válvula de la cabeza del filtro quede trabada en posición).



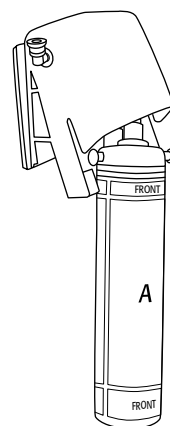
5. Asegúrese de que la válvula de la cabeza del filtro esté abierta. Para ello, jale de la parte central hacia delante.



6. Tome el cartucho que contiene el filtro por la base, con la inscripción "Front" (Frente) hacia Ud.

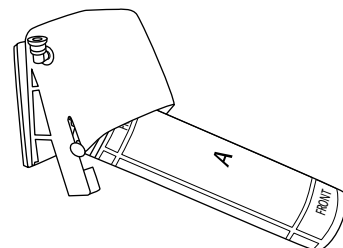


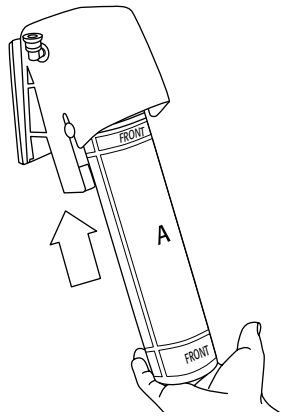
7. Introduzca el cartucho que contiene el filtro en el soporte de la válvula de la cabeza del filtro.



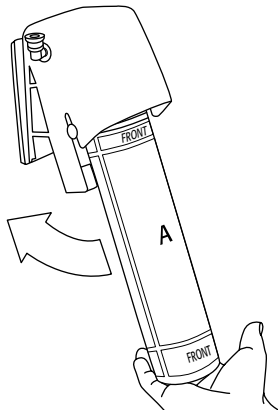
IMPORTANTE:

No instale el cartucho que contiene el filtro como se muestra a continuación.

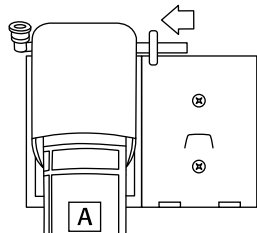




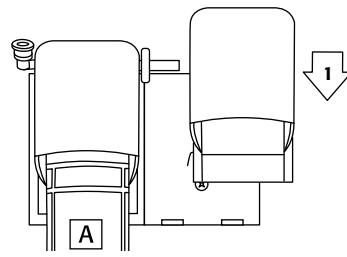
8. Empuje el cartucho que contiene el filtro hacia arriba hasta que se detenga. Las 2 marcas de color (una en el soporte de la válvula de la cabeza del filtro y otra en el cartucho que contiene el filtro) deben quedar alineadas.



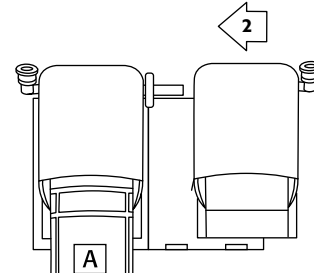
9. Empuje el cartucho que contiene el filtro hacia atrás hasta que se detenga



10. Introduzca el conector en el collar azul (salida de agua) del lado derecho de la válvula de la cabeza del filtro ya instalada.



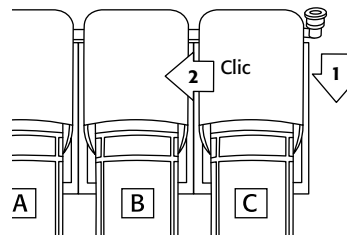
11. Tome la válvula de la cabeza del filtro para la unidad "B" y apóyela sobre el extremo derecho del soporte de fijación. Deslice lentamente la válvula de la cabeza del filtro hacia abajo, ejerciendo presión constante, hasta que las lengüetas de la parte superior y de la parte inferior se traben.



12. Deslice la válvula de la cabeza del filtro para la unidad "B" hacia la izquierda, asegurándose de que el conector ingrese a la válvula de la cabeza del filtro para la unidad "B" por el collar blanco de ingreso de agua. Deslicela hacia la izquierda hasta que quede bien centrada sobre el segundo soporte de fijación (escuchará "clic" una vez que la válvula de la cabeza del filtro para la unidad "B" quede trabada en posición).

Si decide no instalar el filtro para la unidad "C", introduzca el codo con collar azul en el collar azul de la válvula de la cabeza del filtro para la unidad "B" (salida de agua).

13. Repita el paso 5 para instalar el filtro para la unidad B.



14. Si decide instalar la válvula de la cabeza del filtro para la unidad "C", repita los pasos 2 a 7. Si decide no instalar la unidad "C" (WHAF-0435AC), pase directamente a la sección "Instalación del grifo".

Cómo introducir los tubos en las piezas de fácil conexión

Introduzca el tubo asegurándose de que no quede torcido. Ver Figura A. Asegúrese de introducirlo hasta el fondo. Ver Figura B. Para retirar el tubo, empuje el collar blanco hacia adentro. Ver Figura C.

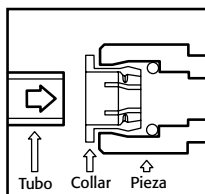


Figura A

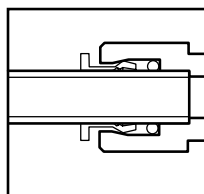


Figura B

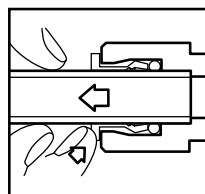


Figura C

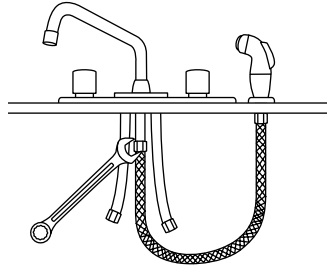
NOTA: Ahora es el momento de instalar la unidad DirectChill™ (WHAF-0115AG) y/o la unidad DirectHot™ con grifo doble (WHAF-0115AF) (se venden por separado). Remítase a la guía de usos y cuidados de dichos productos.

Si decide no instalar estos accesorios, siga los pasos descritos a continuación.

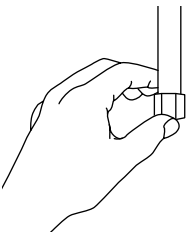
Instalación del grifo

Vea la sección "Requisitos para la ubicación" y "Requisitos del suministro de agua" antes de proceder a instalar el grifo.

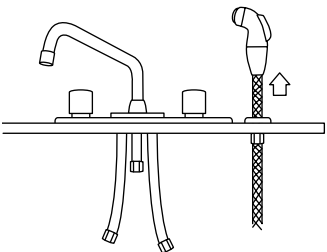
NOTA: Si el grifo de su fregadero cuenta con un rociador desmontable, y le gustaría instalar el nuevo grifo UltraEase™ en el orificio del rociador, siga los pasos de instalación a partir del punto 9. Si no, a partir del punto 14.



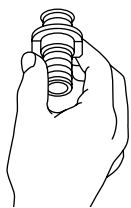
1. Cierre la llave de paso para el agua fría y la llave de paso para el agua caliente. Desconecte el rociador del grifo de su cocina.



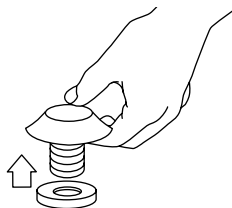
IMPORTANTE: Bloquee el extremo del tubo del rociador con el tapón incluido. Séllelo con un sellador de juntas o con cinta de Teflon® para crear una barrera impermeable.



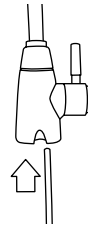
2. Retire el rociador.



3. Retire la rosca de ajuste de la guía de la manguera.

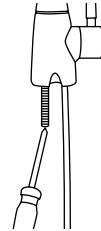


4. Retire la guía de la manguera y la arandela del orificio del fregadero.

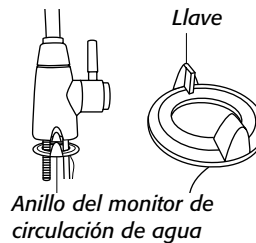


5. Valiéndose de una cuchilla, corte el tubo blanco a 4 pies (1,22 metros). Asegúrese de hacer un corte parejo en ángulo de 90°.

IMPORTANTE: Una vez que ha cortado el tubo, devuélvale la forma redondeada.

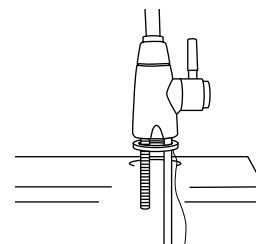


6. Introduzca el tubo blanco en el collar que se encuentra en la parte inferior del grifo. Asegúrese de haber introducido el tubo completamente por el collar.

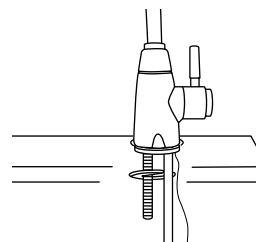


7. Deslice el anillo del monitor de circulación de agua hasta la base del grifo sobre el tubo de 48 pulgadas (122 cm) y la varilla roscada.

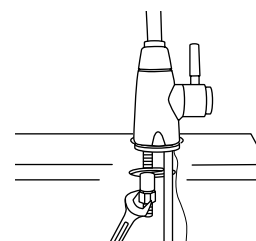
Asegúrese de que la llave esté bien ubicada en la ranura correspondiente, que se encuentra en la base del grifo.



9. Coloque la arandela de caucho sobre el orificio del fregadero. Introduzca la pieza completa del grifo con el tubo de 48" (122 cm) por el orificio del fregadero. Asegúrese de pasar el cable del monitor de circulación de agua por el mismo orificio.

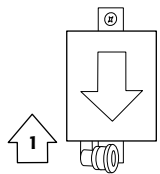


10. Desde el interior del armario, instale la placa de retención en forma de C sobre la válvula roscada.



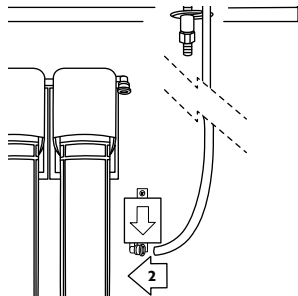
11. Ajuste la tuerca de retención para asegurar el grifo.

Conexión del grifo a los filtros

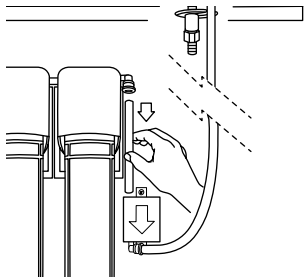


1. Introduzca el codo con collar azul en el collar azul de salida del monitor de circulación de agua.
2. Introduzca el tubo blanco en el collar azul del codo del monitor de circulación de agua.

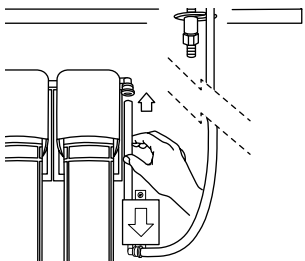
NOTA: Si decide instalar la unidad DirectChill™, conecte este tubo a la unidad DirectChill™ (para más detalles, vea la guía de usos y cuidados de la unidad DirectChill™).



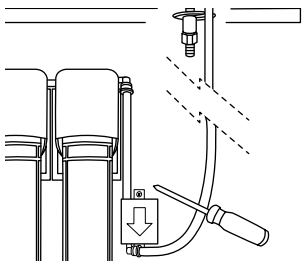
3. Introduzca el tubo blanco de 12" (3.66 metros) en el collar blanco del orificio de entrada del monitor de circulación de agua.



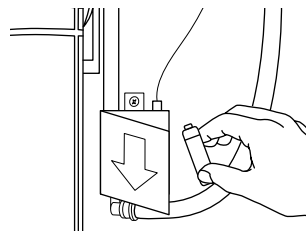
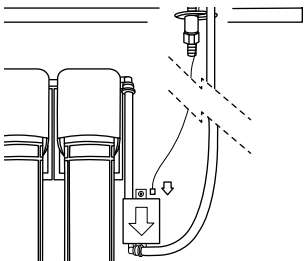
4. Conecte el otro extremo del tubo al codo con collar azul de la válvula de la cabeza del filtro para la unidad B (o para la unidad C, si decide instalarla).



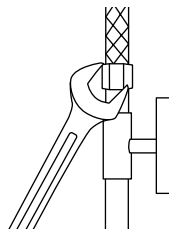
5. Fije el monitor de circulación de agua con dos tornillos con cabeza de cruz (Phillips) al muro del armario de cocina.



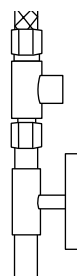
6. Conecte el cable del monitor de circulación de agua. Para ello, introduzca el interruptor en el orificio de entrada del monitor de circulación de agua.



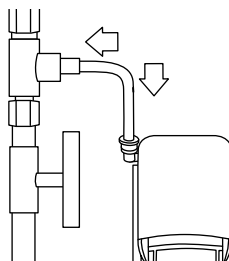
7. Retire el tornillo de la tapa y coloque 2 pilas AA en el monitor de circulación de agua. Cierre la tapa y ajuste el tornillo.



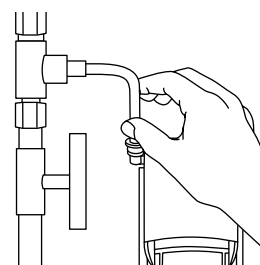
8. Desconecte la línea de ingreso de agua fría que alimenta su grifo.



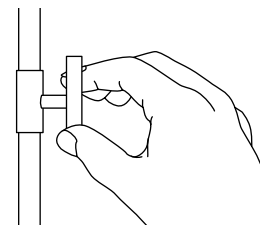
9. Instale la pieza de conexión en forma de "T" incluida. Séllelo con un sellador de juntas o con cinta de Teflon®.



10. Corte el tubo blanco para que quepa correctamente. Introduzca el tubo blanco en la pieza de fácil conexión del conector en forma de "T". Conecte el otro extremo al codo de la válvula de la cabeza del filtro para la unidad A (collar blanco).



11. Vuelva a verificar todas las conexiones. Para ello, jale suavemente de los extremos de los tubos.



12. Abra la llave de paso del agua. Verifique que no haya fugas de agua en las conexiones.

IMPORTANTE: Antes de utilizar su nuevo sistema de purificación, siga las instrucciones enunciadas en la sección "Limpieza del sistema de purificación".

ACCESORIOS PARA EL SISTEMA DE PURIFICACIÓN

Piezas de repuesto

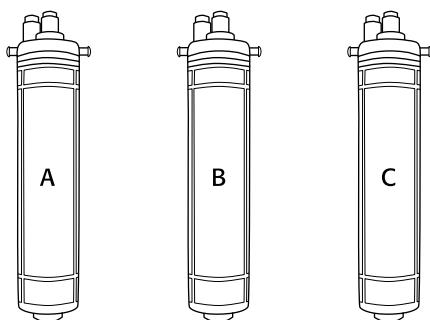
Para averiguar la dirección del distribuidor más próximo a su domicilio a fin de adquirir un filtro de repuesto, llame al **1-866-363-9472** y solicite los números de las piezas enumerados a continuación:

Cartucho con filtro de repuesto UltraEase™ - Sedimentos (Unidad A):

Número de pieza WHAB-6009

Cartucho con filtro de repuesto UltraEase™ - Gusto/Plomo/Esporas (Unidad B): Número de pieza WHAB-6010

Cartucho con filtro de repuesto UltraEase™ - Químicos, COV (Unidad C): Número de pieza WHAB-6011



WHAB-6009 WHAB-6010 WHAB-6011

LIMPIEZA DEL SISTEMA DE PURIFICACIÓN

Antes de utilizar el sistema de purificación, siga los pasos descriptos a continuación:

1. Asegúrese de que los filtros nuevos estén instalados y de que el suministro de agua esté conectado.
2. Purgue los filtros. Para ello, abra el grifo y deje correr el agua unos 5 minutos aproximadamente. Durante esos primeros minutos, el color del agua cambiará de negro a grisáceo oscuro y a transparente.

NOTA: No beba el agua hasta que fluya de color transparente.

MONITOR DE CIRCULACIÓN DE AGUA

El monitor de circulación de agua le indicará cuándo cambiar los filtros. La luz verde indica una filtración óptima. La luz amarilla indica una filtración aceptable y la luz roja indica que es tiempo de cambiar el filtro. Deberá cambiar los cartuchos que contienen los filtros y las dos pilas AA del monitor de circulación de agua (incluidas con el filtro de repuesto para la unidad B WHAB-6010 y C WHAB-6011).

CARACTERÍSTICAS DEL GRIFO

(modelos WHAB-6014 y WHAB-6015 únicamente)

Rociador de legumbres

Estos dos modelos cuentan con un rociador de legumbres. Cuando necesite utilizar el rociador, sólo basta con jalar hacia abajo para rociar agua. Para volver a obtener un flujo normal de agua, empuje el rociador hacia arriba.

CUIDADOS DEL GRIFO

(modelos WHAB-6014 y WHAB-6015 únicamente)

Limpieza

Si el agua que llega a su hogar es dura, y nota que el flujo se ve reducido, limpie el filtro del surtidor.

1. Utilice un cepillo pequeño y vinagre para remover los depósitos creados con el paso de aguas duras.
2. Abra el paso del agua para que fluya el agua y termine de limpiar el vinagre y los depósitos que bloquean el filtro del surtidor.

ANTES DE LLAMAR AL SERVICIO TÉCNICO

La vida útil del filtro es de 12 meses, teniendo en cuenta las condiciones del suministro de agua potable local y el volumen consumido. Le sugerimos que cambie los filtros cada 12 meses aproximadamente. Sin embargo, los puede cambiar antes, si nota una disminución en la presión del agua cuando fluye por el pico surtidor.

Si el grifo no funciona, primero verifique lo siguiente:

- ¿Ha cerrado la llave de paso del agua?
- Asegúrese de haber instalado los filtros correctamente
- Asegúrese de que las conexiones de los tubos estén bien instaladas.

GUÍA DE PROBLEMAS Y SOLUCIONES

CONDICIÓN	ACCIÓN A TOMAR
La válvula de la cabeza del filtro no se cierra	Es posible que no haya instalado el filtro correctamente. Asegúrese que la flecha marcada con una letra en el interior esté de cara a Ud. cuando introduzca el filtro en la válvula de la cabeza del filtro.
El agua no fluye	Asegúrese de que la llave de paso del agua esté abierta.
Es posible constatar pequeñas fugas de agua	<ul style="list-style-type: none">■ Asegúrese de que los tubos estén bien instalados.■ Asegúrese de haber cortado los extremos de los tubos en forma pareja.■ Asegúrese de que los tubos estén bien redondeados.■ Remítase a la sección "Instalación del grifo".
Es posible constatar una fuga de agua entre la conexión de la válvula de la cabeza del filtro y el cartucho que contiene el filtro	La junta tórica puede estar dañada. Comuníquese con el Centro de Servicio a la Clientela al 1-866-363-9472 .
El agua no fluye por el grifo	<ul style="list-style-type: none">■ Asegúrese de que la llave de paso del agua esté abierta.■ Asegúrese de que el filtro del pico surtidor no esté tapado.■ La presión del agua puede haber disminuido.
El caudal de agua ha disminuido	<ul style="list-style-type: none">■ Cambie los filtros

Si cualquiera de las condiciones antes mencionadas persisten, o si constata algún otro tipo de problema con el sistema, cierre la llave de paso del agua y llame al Departamento de Servicio a la Clientela al **1-866-363-9472**.

GARANTÍA DE LA UNIDAD DE PURIFICACIÓN ULTRAEASE™

Garante: Addico Products Inc., 88 Brunswick, Montreal, Quebec, Canadá H9B 2C5

GARANTÍA LIMITADA DE 1 AÑO

El Garante se compromete ante el comprador original a reparar o reemplazar, a elección del Garante, cualquier pieza del sistema de purificación UltraEase™, sistema de purificación en dos etapas (WHAF-0335AB), sistema de purificación especializada (WHAF-0435AC) y los grifos: estándar (WHAB-6012, WHAB-6013) y de cuello alto (WHAB-6014, WHAB-6015) que no funcionen debido a un defecto en el material o en la mano de obra, bajo condiciones normales de uso, durante un período de un (1) año a partir de la fecha de compra. Esta garantía será respetada siempre y cuando el sistema de purificación y los grifos UltraEase™ hayan sido instalados y operados de acuerdo con las instrucciones escritas que se incluyen con el sistema de purificación y los grifos UltraEase™, excluyendo los filtros.

CLÁUSULAS GENERALES Y EXCLUSIONES

Esta garantía es válida en Canadá y los Estados Unidos de América únicamente. Esta garantía es válida si la unidad se envía en el empaque original (o en un empaque semejante), acompañada de la prueba de compra. Esta garantía no cubre extras ni accesorios que puedan haber sido adquiridos con el sistema de purificación y grifo UltraEase™. Esta garantía es nula si quita, falsifica o tacha el número de serie. Esta garantía no cubre problemas de bajo rendimiento, fallas o daños a las piezas que puedan haber sido ocasionados por causas externas como modificaciones, abuso, uso ilícito, aplicación indebida, corrosión, sarro o casos de fuerza mayor.

Esta garantía no cubre gastos incurridos por flete a y desde los centros de servicio autorizado.

Esta garantía y lo dispuesto en el listado de los "Laboratorios de los Aseguradores" (Underwriter's Laboratories) o la "Asociación Canadiense de Normalización" (Canadian Standard Association) para el sistema de purificación y grifo UltraEase™ serán considerados nulos automáticamente si el sistema de purificación y grifo UltraEase™ se ve de alguna manera alterada, modificada o fusionada a otra máquina o dispositivo. La alteración o la modificación de este sistema de purificación y grifo UltraEase™ puede ocasionar serias inundaciones y/o descargas o incendios de origen eléctricos peligrosos.

Con excepción a lo establecido en el presente documento o lo dispuesto por ley, el Garante no se hace responsable de ninguna otra garantía, caución ni acuerdo expreso, implícito o por ley, incluyendo cualquier GARANTÍA IMPLÍCITA DE COMERCIABILIDAD O APTITUD PARA UN FIN DETERMINADO. El Garante no asume ni autoriza a terceros asumir ninguna obligación de responsabilidad con respecto a este producto. De ninguna manera el Garante será considerado responsable por daños indirectos o aquéllos sujetos a una prueba específica (incluyendo y sin limitar pérdidas de índole económica) o por cualquier postergación en el cumplimiento de este acuerdo debido a causas ajenas a su control.

Algunos estados y algunas provincias prohíben las limitaciones sobre la duración de las garantías implícitas, por cuánto es posible que las limitaciones mencionadas anteriormente no se apliquen a su caso en particular. Algunos estados y algunas provincias no permiten la exclusión o la limitación de daños incidentales o indirectos, por cuanto es posible que tanto las limitaciones como las exclusiones mencionadas anteriormente no se apliquen a su caso en particular. Esta garantía le otorga derechos específicos, al igual que otros derechos que pueden variar según el estado o la provincia de aplicación.

Si necesita solicitar servicio técnico, lea la Guía de Problemas y Soluciones. También puede obtener más ayuda en la sección de Asistencia y Servicio Técnico, o llamando a nuestro centro de servicio a la clientela al **1-866-363-9472** de lunes a viernes, de 8:00 a 21:00, o por escrito a: Whirlpool Water Products, P.O. Box 13150, Columbus, OH 43213-0150.

FICHAS TÉCNICAS DE RENDIMIENTO

Sistemas de purificación de agua, modelos WHAF-0335AB, WHAF-0435AC Filtro de Repuesto A (modelo WHAB-6009) Filtro de Repuesto B (modelo WHAB-6010) Filtro de Repuesto C (modelo WHAB-6011)



El sistema cumple con lo establecido por las normas ANSI/NSF 42 y 53 en lo que respecta al rendimiento específico, tal como se ha verificado y confirmado por los datos obtenidos en las pruebas realizadas. El sistema ha sido verificado según lo establecido por las normas ANSI/NSF 42 y 53 para la disminución de la presencia de las sustancias enunciadas a continuación. La concentración de las sustancias indicadas y presentes en el agua que ingresa al sistema se vio reducida a una concentración inferior o igual al límite permitido para el agua que sale del sistema, tal como lo especifican las normas ANSI/NSF 42 y 53.

FICHA TÉCNICA SOBRE DISMINUCIÓN COMPROBADA

NORMA ANSI/NSF 42		FILTRO DE CARBÓN PROBADO: Plomo / esporas	
Substancia	Concentración normal presente en el afluente	% prom. de rechazo	Disminución necesaria
Cloro, sabor y olor	2,0 mg/l \pm 10%	97,5	50%
Partículas y partículas clase I 0,5 mm a < 1mm	Por lo menos 10.000 partículas/ml	97,0	85%

NORMA ANSI/NSF 53		FILTRO DE CARBÓN PROBADO: Plomo / esporas	
Substancia	Concentración normal presente en el afluente mg/l	% prom. de rechazo	Concentración máxima permitida mg/l
Turbidez	11 \pm 1 NTU (unidades nefelométricas)	96,50	0,5 NTU (unidades nefelométricas)
Plomo con PH de 6,5	0,15 \pm 10%	99,30	0,010
Plomo con PH de 8,5	0,15 \pm 10%	99,30	0,010
COV*	Remítase a las páginas 17 y 18 para obtener datos específicos de cada contaminante.		
Mercurio*	0,006 \pm 10%	96,50	0,002
MTBE*	0,15 \pm 20%	94,20	0,005

*Las afirmaciones sobre COV, MTBE y mercurio sólo se aplican al utilizar el filtro WHAB-6011 con los filtros WHAB-6009 o WHAB-6010.

Substancia	Concentración normal presente en el afluente	% prom. de rechazo	Disminución necesaria
Esporas	Min. de 50.000/l	99,99	99,95%
Asbesto	10 ⁷ a 10 ⁸ fibras/l: fibras de más de 10 μ m de largo	99,00	99,00%

NOTA: La certificación para la reducción de esporas incluye cryptosporidium y giardia lamblia.

RENDIMIENTO DE SALIDA EVALUADO SEGÚN LOS PARÁMETROS DE LAS PRUEBAS PARA LA DISMINUCIÓN DE CONTAMINANTES

VELOCIDAD Y CAPACIDAD DEL CAUDAL DE SERVICIO

2,3 litros / minuto (0,6 galones / minuto)

La velocidad real varía según la presión del agua

Capacidad de 4542 litros (1200 galones)

NOTAS:

- Las pruebas se llevaron a cabo en condiciones normales de laboratorio. El rendimiento del sistema puede variar según las condiciones del suministro local de agua.
- Es posible que los agentes contaminantes enumerados en esta ficha técnica no se encuentren presentes en su suministro de agua.
- Le sugerimos analizar el agua para determinar los tratamientos a seguir.

FICHAS TÉCNICAS DE RENDIMIENTO

Sistemas de purificación de agua, modelos WHAF-0335AB, WHAF-0435AC Filtro de Repuesto A (modelo WHAB-6009) Filtro de Repuesto B (modelo WHAB-6010) Filtro de Repuesto C (modelo WHAB-6011)

DATOS DE REFERENCIA

CONDICIONES PARA EL USO DEL SISTEMA

Perfil del origen del suministro de agua		Pautas de aplicación
Comunidad / privado	Clorado /no clorado	Utilice este sistema de agua potable en suministros de agua potable únicamente
Presión del sistema	208 - 690 kPa (300-100 psig)	ADVERTENCIA: No utilizar con agua cuyos contenidos microbiológicos sean dudosos o de calidad incierta sin antes haberla desinfectado adecuadamente.
Temperatura	4° - 38° C (40° - 100° F)	

NOTA: Los sistemas certificados para la disminución de esporas pueden ser utilizados con suministros de agua desinfectada que puedan contener esporas filtrantes.

Componentes principales de la unidad de purificación	Numero de pieza del componente	Mantenimiento de rutina
Filtro para sedimentos	WHAB-6009 (A)	Cambie los filtros según sea necesario o cada 6 a 12 meses según la calidad del agua filtrada.
Filtro para plomo y esporas	WHAB-6010 (B)	
Filtro para COV	WHAB-6011 (C)	

Indicador de control de calidad / rendimiento del agua

El sistema de purificación está equipado con un monitor que mide la cantidad de galones (litros) de líquido que fluye por el mismo. Dicho monitor instalado en fábrica le indicará cuándo cambiar los filtros. Mientras el agua fluye, Ud. verá una luz verde que indica que el sistema ha filtrado menos del caudal establecido, o una luz amarilla, que le advierte que ha sobrepasado el caudal permitido. La luz roja indica que ha pasado más de un año sin cambiar el filtro o que el sistema ha filtrado más del caudal permitido. El monitor debe ser reiniciado cada vez que cambie los filtros. Para ello, retire las dos pilas AA que se encuentran dentro de la caja del indicador en el compartimiento de alimentación y vuelva a colocarlas. Cambie las pilas anualmente o cada vez que cambie los filtros para asegurar un control ininterrumpido. Los filtros de repuesto A incluyen dos pilas AA.

FICHAS TÉCNICAS DE RENDIMIENTO

Sistema de purificación de agua, modelo WHAF-0435AC Filtro de Repuesto C (modelo WHAB-6011)

COMPUESTOS ORGÁNICOS VOLÁTILES / COV

NOTA: Los compuestos orgánicos volátiles (COV) son sustancias químicas sintéticas que se vaporizan fácilmente a temperatura ambiente.

FILTROS DE CARBÓN PROBADOS: 1m carbón extrudido, plomo / esporas

Substancia	Concentración normal presente en el afluente mg/l	Concentración máxima permitida en el agua mg/l	Nivel regulador del agua potable ¹ (LMC/CMP)**mg/l
Alacloro	0,050	0,001	0,002
Atrazina	0,100	0,003	0,003
Benceno	0,081	0,001	0,005
Carbofurano	0,190	0,001	0,040
Tetracloruro de carbono	0,078	0,0018	0,005
Clorobenceno	0,077	0,001	0,100
Cloropicrina	0,015	0,0002	---
Ácido 2,4-diclorofenoxiacético	0,110	0,0017	0,070
Dibromocloropropano (DBCP)	0,052	0,00002	0,0002
o-diclorobenceno	0,080	0,001	0,600
p-diclorobenceno	0,040	0,001	0,075
1,2-dicloroetano	0,088	0,0048	0,005
1,1-dicloroetileno	0,083	0,001	0,007
Cis-1,2-dicloroetileno	0,170	0,0005	0,070
Trans-1,2-dicloroetileno	0,086	0,001	0,100
1,2-dicloropropano	0,080	0,001	0,005
Cis-1,3-dicloropropileno	0,079	0,001	---
Dinoseb	0,170	0,002	0,007
Endrina	0,053	0,00059	0,002
Etilbenceno	0,088	0,001	0,700
Dibromuro de etileno (DBE)	0,044	0,00002	0,00005
Haloacetoneos (HAN)			
Bromocloroacetoneo	0,0022	0,0005	---
Dibromoacetoneo	0,024	0,0006	---
Dicloroacetoneo	0,0096	0,0002	---
Tricloroacetoneo	0,0015	0,0003	---
Haloquetones (HK)			
1,1-dicloro-2-propanona	0,0072	0,0001	---
1,1,1-tricloro-2-propanona	0,0082	0,0003	---
Heptacloro	0,25	0,0001	0,0004
Heptacloropóxido	0,0107	0,0002	0,0002
Hexaclorobutadieno	0,044	0,001	---
Hexaclorociclopentadieno	0,060	0,000002	0,050
Lindano	0,055	0,00001	0,0002
Metoxicloro	0,050	0,0001	0,040
Pentaclorofenol	0,096	0,001	0,001
Simazina	0,120	0,004	0,004
Estireno	0,150	0,0005	0,100

¹Las afirmaciones sobre COV, MTBE y mercurio sólo se aplican al utilizar el filtro WHAB-6011 con los filtros WHAB-6009 o WHAB-6010.

**LMC Límite máximo de contaminación. MAC Concentración máxima permitida.

FICHAS TÉCNICAS DE RENDIMIENTO

Sistema de purificación de agua, modelo WHAF-0435AC Filtro de Repuesto C (modelo WHAB-6011)

COMPUESTOS ORGÁNICOS VOLÁTILES / COV (continuación)

FILTROS DE CARBÓN PROBADOS: 1m carbón extrudido, plomo / esporas

Substancia	Concentración normal presente en el afluente mg/l	Concentración máxima permitida en el agua mg/l	Nivel regulador del agua potable' (LMC/CMP)**mg/l
1,1,2,2-tetracloroetano	0,081	0,001	---
Tetracloroetileno	0,081	0,001	0,005
Tolueno	0,078	0,001	1,000
Silvex o ácido			
2,4,5-triclorofenoxi propiónico	0,270	0,0016	0,050
Ácido tribromoacético	0,042	0,001	---
1,2,4-triclorobenceno	0,160	0,0005	0,070
1,1,1-tricloroetano	0,084	0,0046	0,200
1,1,2-tricloroetano	0,150	0,0005	0,005
Tricloroetileno	0,180	0,001	0,005
Trihalometanos (incluyen)			
Cloroformo (substancia sucedánea)	0,300	0,015	0,080
Bromoformo	0,300	0,015	0,080
Bromodiclorometano	0,300	0,015	0,080
Clorodibromometano	0,300	0,015	0,080
Xylenos (totales)	0,070	0,001	10

Notas:

1. Los representantes de USEPA (Agencia para la protección del ambiente de los Estados Unidos) y Health Canada (Agencia para la protección de la salud de Canadá) convinieron que estos valores armonizados se utilizarían con el propósito de evaluar los productos según las exigencias de la norma ANSI/NSF 53.
2. Los niveles normales del afluente equivalen a las concentraciones promedio del afluente, determinadas en pruebas substitutas de calificación.
3. La concentración máxima permitida de producto en agua no se ha observado, si bien se estableció a los límites de detección durante el análisis.
4. La concentración máxima permitida de producto en agua ha sido determinada a un valor establecido en las pruebas sucedáneas de clasificación.
5. El nivel máximo permitido de producto en agua calculado para el cloroformo a 95% como punto de ingreso tal como se lo determina en las pruebas sucedáneas de clasificación.
6. Los resultados de las pruebas sucedáneas para el heptacloroepóxido demostraron una disminución del 98%. Estos datos se utilizaron para calcular una concentración superior, que produciría una presencia máxima de producto en agua según los límites de contaminación máxima.

Para compras hechas en el estado de Iowa:

Este formulario debe estar firmado y fechado por el comprador y el vendedor antes de pasar a la venta final. El vendedor debe conservar este formulario por un período mínimo de dos años.

COMPRADOR:

Nombre _____

Dirección _____

Ciudad _____

Estado / Código postal _____

Firma / Fecha _____

VENDEDOR:

Nombre _____

Dirección _____

Ciudad _____

Estado / Código postal _____

Firma / Fecha _____

VERIFICADO Y CERTIFICADO SEGÚN LO ESTABLECIDO POR LAS NORMAS ANSI/NSF 42 Y 53 SOBRE CONTAMINANTES ESPECÍFICOS TAL COMO SE HA PODIDO CONSTATAR Y SUBSTANCIAR POR LOS DATOS OBTENIDOS EN LAS PRUEBAS REALIZADAS.

8563999

© 2004 Whirlpool Corporation.
All rights reserved.
Todos los derechos reservados.

® Registered trademark/TM Trademark of Whirlpool, USA, used under license.
® Marca registrada / TM Marca de comercio de Whirlpool, USA, usadas bajo licencia.
TEFLON is a registered trademark of E.I. Dupont.
TEFLON es una marca registrada de E.I.Dupont.

04/04
Printed in Canada
Impreso en Canadá

Free Manuals Download Website

<http://myh66.com>

<http://usermanuals.us>

<http://www.somanuals.com>

<http://www.4manuals.cc>

<http://www.manual-lib.com>

<http://www.404manual.com>

<http://www.luxmanual.com>

<http://aubethermostatmanual.com>

Golf course search by state

<http://golfingnear.com>

Email search by domain

<http://emailbydomain.com>

Auto manuals search

<http://auto.somanuals.com>

TV manuals search

<http://tv.somanuals.com>