

OWNER'S MANUAL

XTR- 690SE/695SE Total Band Protection™ LASER-RADAR DETECTOR

The Whistler Group Corporate Headquarters

3604 NW Frontage Rd. • Bentonville, AR 72712
Tel 479.273.6012 • Fax 479.273.2927

Customer Return Center

551 N. 13th St. • Rogers, AR 72756
Customer Service Tel 800.531.0004

www.whistlergroup.com

One or more U.S. patents may apply:
#5,146,227, #5,379,456, #5,666,120,
#5,990,821, #7,215,276

P/N 260023, © 2009 The Whistler Group, Inc.



Dear Whistler Owner,

If you have questions concerning the operation of this Whistler product please call:

Customer Service
1-800-531-0004

Monday - Friday • 8:00 am - 5:00 pm CT
or visit our website
www.whistlergroup.com

Please keep the receipt in a safe place. You may register your product online at www.whistlergroup.com. For warranty verification purposes, a copy of your dated store receipt must still accompany any unit sent in for warranty work. If the unit is returned without a dated store receipt, an out of warranty service charge applies. **Note: Your warranty period begins at the time of purchase. The warranty is validated only by the dated store receipt!** Please record the serial number of the unit in the space provided in the warranty section of the manual.

To fully acquaint yourself with the operation of your Whistler detector and to better understand the differences between detecting radar, laser, and safety radar signals, we recommend reading this entire manual or visiting our F.A.Q. page on our website www.whistlergroup.com

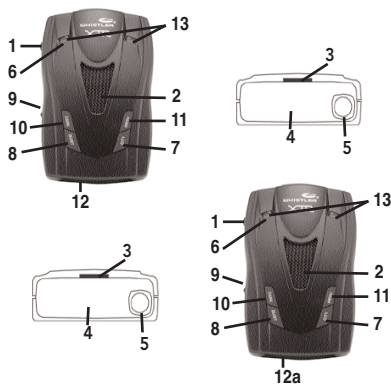
Enjoy your Whistler detector and please drive safely.

Sincerely,
The Whistler Group, Inc.

Model Features Summary	3 - 4
Installation	5 - 6
• Mounting Guidelines	5
• Windshield Mounting	6
• Power Connection and Fuse Replacement	6
Operation	7 - 17
• Power On, Self Test	7
• Teach / Tutorial Mode	7
• Setting Saver	7
• Feature Engaged Confirmation	7
• Integrated Real Voice™	7
• Audio Level Adjustment	8
• Auto Quiet Mode	8
• Quiet Mode	8
• External Audio Jack (XTR-695SE only)	8
• Backlit Buttons (XTR-695SE only)	8
• City / City 1 / City 2 Mode	9
• Highway Mode	9
• Vehicle Battery Monitor	9
• Low Profile Alert Periscopes	10
• Compass Mode	10
• Backlight Setting - Dim / Dark	10-11
• 7 Color Multi-band Display (XTR-695 only)	11
• Vehicle Battery Saver Mode	11
• Filter Mode	12
• Option Select Mode - Stay Alert Feature	13
• Safety Warning System™	14
• Alert Priority	15
• Compass Calibration Set-up	15
• Reset Features	16
• Intellicord®	16
• Ka RSID	17
• LSID	17
POP™ Mode Alerts	18
Laser/Radar Alerts	18
• Speed Radar Audio / Visual Alerts	18
• Laser Audio / Visual Alerts	18
• Pulse Protection®	18
Troubleshooting Guide	19
Care and Maintenance	20
Are Detectors Legal?	20
FCC Information	20
Speed Monitoring	21 - 23
• POP™ Mode	21
• Laser Facts	21 - 22
• Radar Facts	22
• Other Speed Detection Systems	22 - 23
• Radar Detector Detector	23
Warranty Information	23 - 26
Specifications	26
Accessories	27

WHISTLER FEATURES

Feature Listings of XTR-690SE/695SE



FEATURE DESCRIPTIONS

Whistler's ergonomic and user-friendly design provides a new level of operating convenience. Special features include:

1. **Bracket Release Button** – provides quick and easy release of the mounting bracket.
2. **Speaker** – provides distinct audio warnings for X, K, Ka band radar, safety radar, and laser.
3. **Mounting Bracket Location** – slot holds mounting bracket firmly.
4. **Radar Antenna** – compact, high-efficiency antenna receives radar signals.

3

FEATURE DESCRIPTIONS

5. **Front Laser** – high gain optical lens provides increased sensitivity and field of view for leading-edge laser detection.
6. **Rear Laser** – an integrated optical waveguide provides superior detection of laser signals transmitted from behind.
7. **City Button** - reduces the annoyance of false alerts typically encountered in urban driving areas.
8. **Quiet Button** - pressing QUIET before a signal is detected engages Auto Quiet Mode which automatically reduces the audio level after the initial warning to a low audio level setting. Pressing QUIET during a radar/laser encounter silences audio alerts, while allowing visual alerts to keep you informed.
9. **Power / Volume Control** – push this button to turn the unit on/off. Move back or forward to adjust the audio level.
10. **Dim / Dark** - engages Dim/Dark modes.
11. **Menu Button** - enters Option Select Mode.
12. **Text Display** – provides distinct visual confirmation of signals detected, signal strength, and indicates engaged modes of operation.
- 12a.7 **Color Backlit LCD Text Display** – provides distinct visual confirmation of signals detected, signal strength, and indicates engaged modes of operation in 7 colors.
13. **Low Profile Alert Periscopes** - provide an additional attention getting visual alert.

IMPORTANT: The unit must be calibrated to provide accurate compass headings. See Compass Calibration Set-up section on page 15.

4

INSTALLATION

Mounting Guidelines

- Mount the unit as low as possible near the center of the windshield.
- Do not mount the unit behind wipers, ornaments, mirrored sunscreens, etc. These obstructions have metal surfaces which can affect radar and laser signals and reduce critical warning time. (Regular tinted glass does not affect reception).
- Some windshields have an Instadecor™ or Electriclear™ type coating, which affect radar signals. Consult your dealer or the owner's manual supplied with your vehicle to determine if your windshield has this coating.
- Avoid placing the unit in direct contact with the windshield.
- To reduce the possibility of theft, conceal the unit when not in use.

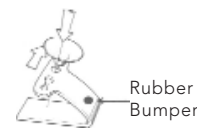


Windshield Mounting

IMPORTANT: Make sure the unit is level

Windshield Mounting

- Install the two suction cups and rubber bumper onto the bracket by fitting them into their holes.
- Press the suction cups onto the windshield at the location you have chosen.



Rubber Bumper

5

INSTALLATION

Important: Some newer cars have a plastic safety coating on the inside of the windshield. The windshield bracket may leave permanent marks on this type of surface. To find out if your vehicle has this type of windshield, check the vehicle's owner's manual or ask your dealer. We recommend that you do not leave the suction cup bracket on the window in direct sunlight. If the detector is removed, this may cause blistering of the dash in some vehicles.

- Slide the detector onto the bracket until it locks into place.
- If necessary, the unit may be leveled by bending the windshield bracket. Press the bracket release button and remove the detector before bending.

Power Cord Connection

- Plug the small end of the power cord into the unit's power jack.
- Plug the large end into the vehicle's cigarette lighter socket.

Note: Cord fits tightly into detector. When installing the cord, expect some resistance.

Fuse Replacement

The lighter socket plug is equipped with a replaceable 2 amp, 3AG fuse located behind the silver tip. To replace the fuse, carefully unscrew the tip of the plug.

Important: Unscrew slowly. The tip contains a spring which may fly out when disassembling. Insert the new fuse with the spring and screw on the tip. With use, screw cap on plug may loosen. Retighten occasionally.



6

OPERATION

Power On, Self Test

To turn the unit ON or OFF, push the center of the Power/Volume button.

Each time your Whistler detector is turned on, an automatic self-test sequence confirms that the speaker and visual displays are functional.

- Display shows in order:
1. WHISTLER 2. X-band 3. K-band 4. Ka-band 5. LASER NORM 6. SR OFF 7. VOICE ON 8. POP ON 9. B SVR 3 10. FILTER 11. COMBO 12. HIGHWAY

Teach/Tutorial Mode

Provides simulated alerts for each type of signal.

- Press City and Quiet buttons simultaneously
- Display Shows: **TEACH**
- Press Dark button to exit.

Setting Saver

Setting Saver saves your personalized settings so that when the detector is turned off and then on again, you do not have to re-enter them.

Feature Engaged Confirmation

Each time a button is pressed, one beep confirms feature "on", two beeps confirm feature "off".

Integrated Real Voice®

When selected, Real Voice® will be used to articulate the following:

1. Band Identification
2. Safety Warning System messages
3. Feature Selection

Note: In certain cases, the voice message does not replicate the text message.

7

OPERATION

Audio Level Adjustment

To change the audio level:

- Move Power/Volume button back to increase audio level.
- Move Power/Volume button forward to decrease audio level. As audio level is adjusted, beeps are provided and the display indicates volume level.

Auto Quiet Mode

Auto Quiet mode reduces the selected audio level to level (1) approximately 5 seconds after a radar or safety radar signal is detected. The alert for any new signal within 20 seconds will resume at level (1). Auto Quiet mode does not affect laser alerts.

- Press Quiet (before a signal is detected) to engage Auto Quiet mode.
- Once the Auto Quiet mode is engaged, you may cancel the audio alarm by pressing Quiet.
- Press Quiet (when the unit is not alarming) to cancel Auto Quiet mode.

Quiet Mode

Quiet mode cancels audio during an alert and any new alert within 20 seconds. After 20 seconds of no radar signal detected, the audio alerts are restored.

- Press Quiet to cancel the audio.
- Press Quiet a second time during an alert to restore the standard audio alert pattern.

External Audio Jack (XTR-695SE only)

The 2.5mm external audio jack can be used to connect an external speaker or headphones in environments with high ambient noise levels. The internal speaker will be disconnected.

Backlit Buttons (XTR-695SE only)

Function buttons are illuminated for ease of use.

8

OPERATION

City/City 1/City 2 Mode

Whistler's Three Stage City Mode is designed to reduce the annoyance of automatic door openers, intrusion alarms and other devices which share frequencies with police radar. Generally, X band is used for these devices.

- Press City button to cancel Highway Mode and engage City Mode.
- Press City button again to enter City 1 Mode.
- Press City button again to enter City 2 Mode.
- Press City button a fourth time to cancel City 2 Mode and returns the unit to Highway Mode.

In City Mode, weak speed/safety radar signals give an initial alarm of two beeps, and then remains quiet until the signal becomes very strong. When the signal strength increases, two additional beeps are provided. City 1 and City 2 Modes operate the same as Highway Mode, but in City 1 Mode, only the X band sensitivity is lowered. In City 2 Mode, X-band is not detected.

Caution: Some towns/small cities may still be using X band radar. City Modes do not change the audio alert for laser.

Highway Mode

Highway mode provides full audio warnings any time radar (X, K, Ka, Safety Radar) or laser signals are detected, and is recommended for open road driving.

Note: In Combo Mode, an "H" or "C" will be shown to indicate mode of operation.

For more information on City and Highway modes, please visit our F.A.Q. page on our website: www.whistlergroup.com

Vehicle Battery Monitor

The vehicle's battery voltage can be displayed by pressing and holding the Dark and Quiet buttons simultaneously. Pressing Dark and Quiet simultaneously again will exit the battery monitor.

9

OPERATION

Low Profile Alert Periscopes

Whistler's Low Profile Alert Periscopes provide an added attention getting visual alert. The two extra LEDs flash on and off when the unit alarms to provide a unique visual alert. This alert can be programmed, through the Option Select Mode to: 1. flash for all alarms, 2. remain on, or 3. turn LEDs off completely.

Compass Mode

The unit is programmed from the factory in "Combo Mode". **COMBO** mode means that the unit provides both compass headings as well as detects laser/radar signals. Through the "Option Select Mode", either laser/radar or compass features can be turned off; **RADAR** equals detection of all police bands and laser; **COMPASS** equals no detection of police laser/radar.

Note: The unit must be calibrated to provide accurate compass headings. See Compass Calibration Set-up section on page 15.

Backlight Setting (XTR-695SE only)

The backlighting can be programmed to be illuminated all the time, only when alarming, or various other combinations. The options are selectable by pressing the Dark button on the unit. The first condition is during normal operation and the second is when the unit alarms.

The options are:

Normal	-	Alarm
OFF	-	OFF
OFF	-	DIM
OFF	-	BRT
DIM	-	OFF
DIM	-	DIM
DIM	-	BRT
BRT	-	BRT

10

OPERATION

Backlight Setting (continued)

Backlight will turn on, if selected, while the unit alarms and remain on for 3 seconds after the unit stops alarming. When any button is pressed, the backlight will illuminate at the dim setting and remain on for 3 seconds afterwards. The backlight will also illuminate while in option mode.

Dim/Dark Mode (XTR-690SE only)

Dim/Dark Mode reduces the illumination of the display.

- Press the Dark button to reduce illumination to a Dim setting.
- Press the Dark button a second time engages Dark Mode. The display illumination is further reduced.

Dim or Dark Mode can be engaged during an alert. In Dark Mode, the display goes dark for as long as a signal is being detected and for 20 seconds after, then the display returns to the dimmer setting.

- Press the Dark button a third time to restore full illumination to the display.

7 Color Multi-band Display

(XTR-695SE only)

The display can be set so that each Band alert can be a different color (i.e. K Band alerts in Blue, X Band alerts in Green, Ka Band alerts in Purple, etc.) or Scroll ALL colors while alarming. To make changes see Option Select Mode steps 17 thru 20 on page 13.

Vehicle Battery Saver Mode

The Vehicle Battery Saver Mode automatically shuts off the detector after 3 hours. The timer is reset if the detector is turned off, unplugged or any button is pressed before the timer has expired. The detector will alert you with an audible and visual warning before it shuts off. During this warning, you can momentarily reset the timer by pressing any button. If the unit has automatically turned off, press any button to turn the unit back on. Refer to "Option Select Mode" for instructions for changing the battery saver mode options.

11

OPERATION

Filter Mode

There are times when a radar detector in another vehicle, can unintentionally emit a frequency which can cause your detector to falsely alarm. The Whistler Filter Mode options provide additional signal processing to minimize the occurrences of these false alarms. Filter mode provides normal processing. Filter 1 and Filter 2 modes provide additional signal analysis before alarming.

Filter Mode is the factory default setting and should provide adequate filtering for most conditions. If you experience excessive alerts due to radar detectors in other vehicles, try Filter 1, then Filter 2 modes. Filter Mode analysis occurs in Highway Mode and all City Modes. See Option Selection Mode to change the filter settings.

Ka Max Mode

Ka Max Mode provides enhanced Ka sensitivity - increased protection. This mode can be selected with or without RSID. See Option Select Mode for changing Ka options.

12

OPERATION

Option Select Mode

Press the Menu button to enter Option Select Mode. When selecting options, the Dark or Quiet buttons must be pressed within 20 seconds or Option Select Mode will automatically exit. To enter:

Press Menu:	Display Shows:	To Change: D=Dark / Q=Quiet	Option:	
1st Time	CAL MODE	Press Both D or Q	Starts Compass Calibration	
2nd Time	COMBO	D or Q	COMBO = Radar & Compass RADAR = Radar Only / COMPASS = Compass Only	
3rd Time	S1-POWER	D or Q	Remote Control of Dim, City, Quiet Power Functions	
4th Time	S2-QUIET	D or Q	Remote Control of Dim, City, Quiet Power Functions	
5th Time	TOPE 3	D or Q	Tone 1, 2, 3 (Three Different Tone Patterns)	
6th Time	TEST YES	D = YES Q = OFF	X, K, Ka Audio Tones One Beep During Power Up	
7th Time	X-ON	D = ON Q = OFF	X Band On X Band Off	
8th Time	K-ON	D = ON Q = OFF	K Band On K Band Off	
9th Time	Ka-Maxd	D or Q	Ka Band (RSID, NORMAL, OFF, MAX, MAXID)	
10th Time	LSR NORM	D or Q	LASER (NORMAL, OFF, LSID)	
11th Time	SR OFF	D = ON Q = OFF	Turns Safety Radar On Turns Safety Radar Off SWS™	
12th Time	VOICE ON	D = ON Q = OFF	Real Voice Engaged Real Voice Disengaged	
13th Time	POP ON	D = ON Q = OFF	POP Mode On POP Mode Off	
14th Time	B SVR 3hr	D or Q	Battery Saver Rotation (3hr - 6hr - OFF - 1hr)	
15th Time	FILTER	D or Q	Filter, Filter 1, Filter 2 (Three Different Filters)	
16th Time	LED BLNK	D or Q	Low Profile Alert Periscopes On (ON, OFF, or Blinking)	
17th Time XTR-6955E only	BTN LED	D or Q	Illuminated Soft Touch Buttons (ON or OFF)	
18th Time XTR-6955E only	B/L/C/6 (Backlit Color)	D or Q	Color Rotation of 6-7-8-1-2-3-4-5	Number Color Reference 1 = Purple 2 = Dark Blue 3 = Blue 4 = Light Blue 5 = Green 6 = Red 8 = All Colors
19th Time XTR-6955E only	X B/L/C/6	D or Q	Color Rotation of 6-7-8-1-2-3-4-5	
20th Time XTR-6955E only	K B/L/C/6	D or Q	Color Rotation of 6-7-8-1-2-3-4-5	
21st Time XTR-6955E only	Ka B/L/C/6	D or Q	Color Rotation of 6-7-8-1-2-3-4-5	
22th Time XTR-6955E only	L B/L/C/6	D or Q	Color Rotation of 6-7-8-1-2-3-4-5	

Press the Power button to exit Option Select Mode.

13

OPERATION

Stay Alert Feature

The Stay Alert Feature is designed to test a driver's alertness. To engage (when the unit is not alarming):

- Press and hold the City button for approximately 2 seconds. Release the button during or immediately after the alert is given. Display shows: **(RU ALERT)**

Within 30-60 seconds, two beeps are sounded; to show alertness, the driver must press either the City, Menu, or Quiet buttons within 3-5 seconds. If a button is pressed within 3-5 seconds, the cycle is repeated.

If a button is not pressed within 3-5 seconds, an alarm sounds and the display shows: **(GET REST)**

- Press the Dark button to exit the Stay Alert feature.

WARNING!!! Stay Alert is NOT intended as a substitute for adequate rest. You should NOT operate a vehicle if you are drowsy. During extended periods of vehicle operation, you should take frequent breaks. Improper reliance on the Stay Alert feature may result in vehicle damage, personal injury or death. **NEVER OPERATE A VEHICLE IF YOU ARE DROWSY.**

SWS™

Safety Warning System™

In communities where transmitters are located, the Safety Warning System™ displays over 60 text messages. When Safety Radar is detected the audio alert is geiger counter-like.

Safety Warning System Text Message

Example: Poor - Road - Surface.

Note: Not all areas have Safety Warning System™ transmitters.

14

OPERATION

Alert Priority

When two or more signals are received at the same time, the alert priority is:

1. Laser
2. Speed Radar
3. Safety Radar

Example: If X band is alerting, then suddenly a laser signal is detected, the laser warning will override the X band alert.

Compass Calibration Set-up

The unit must be calibrated in order for the compass to provide accurate headings. To calibrate the unit, perform the following procedure:

1. Mount the unit level in the center of the vehicle's windshield. Make sure there are no magnetic sources near the detector (*i.e., speaker*).
2. Select a large clear area (*parking lot or field*) without any power lines.
3. Press the Menu button until display shows **CAL MODE**. Then press the Dark and Quiet buttons simultaneously. The display shows (scrolling):

Drive in two complete circles

4. If calibration does not automatically finish, press the Dark and Quiet buttons simultaneously to complete calibration. The unit will beep twice and display shows, for example:

CAL DONE → NE 45 H

Note: In Combo Mode, an "H" or "C" will be shown to indicate mode of operation.

Important: If unit mounting is relocated in the vehicle, (*i.e., visor to windshield mounting or dash mounting*), or if the unit is moved to another vehicle, you must recalibrate the compass.

15

OPERATION

Reset Features

All user features can be reset to factory settings.

- Unplug the Power Cord from the unit.
- Press and hold the Power and Quiet buttons.
- Plug the Power Cord into the unit.
- Wait for 2 beeps.
- Release the Power and Quiet buttons.

Unit is now reset to the following features and settings.

Default factory settings are:

1. S1: (For Intellicord®) Power ON or OFF.
2. S2: (For Intellicord®) Quiet feature.
3. Combo Mode.
4. HIGHWAY Mode.
5. Dim/Dark Mode to full illumination of display.
6. Auto Quiet Mode OFF.
7. Safety Radar OFF.
8. Vehicle Battery Saver ON/3hrs.
9. Full Power Up sequence.
10. Default TONE 3.
11. All Bands ON.
12. Laser ON.
13. POP ON.
14. Voice ON.
15. LED Periscopes to BLNK.
16. Filter Mode.

Intellicord® Ready

Using Whistler's optional Intellicord® Power Cable allows some models to control the detector's features such as Power On/Off, City Modes, Dim/Dark, and Quiet/Auto Quiet with a simple press of the button on the Power Cable. Two features can be controlled: one by a short press of the button, and the second by a long press of the button. Option Mode allows the user to program the feature assignments.

16

OPERATION

Whistler has two new exciting features that will assist the driving enthusiast to further identify threats from laser and Ka band radar guns.

Ka RSID (Ka Radar Signal Identifier)

Identify the difference between the likelihood of a Ka threat vs. the likelihood of a Ka false from another source (possible radar detector). The Ka RSID feature will educate you to the common Ka speed radar guns by displaying the nominal police radar frequencies of 33.8GHz / 34.0GHz / 34.3GHz / 34.7GHz / 35.5GHz. The Ka alerts that do not fall into the common Ka speed radar windows will be reported only as Ka.

Note: This product is not a frequency counter. The unit will categorize the received Ka signal and select the appropriate information. Treat every Ka alert with caution.

LSID (Laser Signal Identifier)

Identify the Laser gun's pulse rate or PPS (Pulses Per Second) that is transmitted by the speed laser gun. LSID may also be used to identify other forms of laser sources such as LACC (Laser Assisted Cruise Control) systems found in some high end vehicles.

If the Laser PPS information displayed is due to another source such as local airports or LACC, LSID allows you to Lock Out this rate from giving you the continuous audio alert during this and any new encounter of the same rate. To Lock Out a PPS, press the Quiet button during the Laser alert. This will place an * on the screen beside the PPS rate and Lock Out this signature ID. Any new encounter with the same Laser Signature ID will provide the display information and two quick beeps.

Note: Common Laser PPS rates used in the USA are 100 / 125 / 130 / 200 / 238 / 380Hz. Other Laser PPS rates used outside the USA include 600Hz.

Caution: Do not lock out a PPS rate if it is close to known speed laser guns.

17

POP™ MODE ALERTS

POP™ Mode Alerts

Because POP™ Mode radar utilizes the same K or Ka band frequencies, POP™ Mode Alerts will be displayed as regular radar alerts.


LASER/RADAR ALERTS

Speed Radar Audio/Visual Alerts

When X, K or Ka is detected, the band ID and signal strength are displayed. The audio alert is continuous and has a geiger counter-like pattern. The faster the beep, the closer or stronger the radar source.

Laser Audio/Visual Alerts

When a laser signal is detected, the audio alert is continuous for a minimum of 3 seconds.

- The Displays Shows: 

Pulse Protection®

Pulse (or instant-on) radar is more difficult to detect than conventional radar because it remains 'off' until activated to measure the speed of a targeted vehicle.

When a pulse type transmission is detected, your Whistler detector sounds an urgent 3-second audio warning and the display shows:

'PULSE'

After the 3-second pulse alert, the standard alert pattern continues for as long as the signal is present.

It is important to respond promptly to a pulse alert, since warning time may be minimal.

TROUBLESHOOTING

Your Whistler detector is expertly engineered and designed to exacting quality standards to provide you with reliable, trouble-free operation. If your unit has been correctly installed following the guidelines in this manual, but is not operating optimally, please refer to the troubleshooting guide below.

PROBLEM: No display or audio.

- Check fuse in plug; replace if necessary with a 2 amp, 3AG type.
- Check fuse for lighter socket; replace if necessary.
- Make sure lighter socket is clean.

PROBLEM: Unit alarms when vehicle hits bumps.

- Check for loose lighter socket; tighten and clean.
- Check connections at both ends of the power cord. Substitute another cord to determine if the cord is defective. Return defective cord to the factory.

PROBLEM: Audio alerts are not loud enough.

- Cancel Auto Quiet Mode or City Mode.
- Check audio level setting (*see page 8*).

If difficulties occur which cannot be solved by information in this Troubleshooting Guide, please call Whistler Customer Service at 1-800-531-0004 or visit our F.A.Q. page at www.whistlergroup.com/faq-detectors.asp, before returning your unit for service.

CARE AND MAINTENANCE

During the summer months, avoid prolonged exposure to direct sunlight by removing your unit from the dash when your vehicle is parked for an extended period of time. Do not spray water, cleaners, or polishes directly onto the unit. The spray may penetrate through the openings and damage the unit. Also, do not use any abrasive cleaners on the unit's exterior.

ARE DETECTORS LEGAL?

In Most States YES.

Laser-Radar detectors are legal in every state (except Virginia and Washington, D.C., which have local regulations restricting the use of radar receivers in any vehicle) when used in automobiles or light trucks (under 10,000 lbs.).

The Federal Highway Administration (FHWA) issued a regulation, effective January, 1994 which prohibits radar and laser detector use in vehicles over 10,000 lbs. Prior to the FHWA regulation, laws existed in New York restricting the use of radar detectors in trucks over 18,000 lbs. and in Illinois in trucks over 26,000 lbs.

FCC INFORMATION

FCC ID: HSXWH20

This device complies with part 15 of the FCC Rules. Operation is subject to the following two conditions:

- (1) This device may not cause harmful interference,
- (2) this device must accept any interference received, including interference that may cause undesired operation.

Important: FCC requirements state that changes or modifications not expressly approved by Whistler could void the user's authority to operate the equipment.

SPEED MONITORING

POP™ Mode

POP™ Mode is a feature on some newer radar guns operating on K and Ka bands. When the gun is in POP™ Mode and activated, a brief burst of energy, less than 1/15 of a second, is transmitted and the vehicle's speed is quickly acquired. A detector without POP™ Mode detection capability cannot respond to this brief transmission.

Laser Facts

It's well documented that many radar guns cannot reliably provide the speed of a targeted vehicle that is traveling in a group of vehicles. In contrast, a laser gun can target a specific vehicle out of a line of traffic and determine its speed. The advantage of laser over radar in terms of target identification is the result of the laser gun's narrow beam. A radar gun's transmission can cover more than a four-lane highway at a distance of 1,000 feet, compared with a laser gun's transmission which covers about 3 feet at the same distance. For best protection, keep these points in mind:

- Because the vehicle's license plate or headlights are the laser gun's primary targets, mounting the Whistler detector on the dashboard can improve laser detection at short range.
- Do not follow closely behind any vehicle you cannot see through. If you can't see past a vehicle ahead of you, chances are your detector can't either.
- The receiving range of your laser detector will not be the same as a radar detector. Laser guns are most often used at short range.

Whistler Laser-Radar detectors receive all current laser guns which operate at a laser wavelength of 905 +/- 10nm.

21

SPEED MONITORING

Laser Tips

If you are the targeted vehicle, a laser gun can often determine your speed within a few seconds after you receive an alert. In this situation, there is generally no time to safely adjust your speed. However, if you are traveling near or behind the targeted vehicle and receive an alert, response time should be sufficient. Any laser alert, regardless of duration, requires immediate action.

Radar Facts

A radar gun operates by transmitting radio waves at certain frequencies which reflect off objects and are picked up by the radar gun's receiving section. When a radar beam reflects off a moving target, a measurable frequency shift occurs. The radar unit converts this shift into miles per hour to determine your vehicle's speed. Currently, the FCC (Federal Communications Commission) permits operation of traffic radar guns at X Band (10.500 - 10.550 GHz), K Band (24.050 - 24.250 GHz), and Ka Band (33.400 - 36.000 GHz).

Note: A radar detector will only alarm if an officer is transmitting on any one of the above radar bands.

Other Speed Detection Systems

Several techniques other than radar or laser are used to measure vehicle speeds. When these methods are being used, no detector can provide a warning. These techniques include:

- **Pacing** - A patrol car drives behind you and matches your driving speed.
- **Vascar/Aircraft** - The police measure the time it takes your vehicle to travel a known distance.

22

SPEED MONITORING

Radar Detector Detectors: VG-2, Spectre

The Interceptor VG-2 or simply VG-2, is one type of microwave receiver used by Police to detect signals radiated by the local oscillator of a radar detector. Because its purpose is to identify persons driving with radar detectors, these devices are known as a "radar detector detector" (RDD).

An RDD is the primary tool used by the police to identify radar detector equipped vehicles. If caught in a state or country where detectors are illegal (see page 20), drivers risk losing their radar detector and receiving a fine. In addition, instant-on radar is almost always used in combination with an RDD, leaving unsuspecting motorists vulnerable to receive two tickets; one potential for speeding, and the other for possession of a detector.

Note: The newest tool Police have to detect radar detectors is called Spectre. Spectre can detect the majority of undetectable (VG-2) laser/radar detectors on the market.

It is the responsibility of the individual radar detector user to know and understand the laws in your area regarding the legality of the use of radar detectors.

WARRANTY INFORMATION

Consumer Warranty

This Whistler Laser-Radar detector is warranted to the original purchaser for a period of three years from the date of original purchase against all defects in materials and workmanship. This limited warranty is void if the unit is abused, modified, installed improperly, or if the housing and/or serial numbers have been removed. There are no express warranties covering this product other than those set forth in this warranty. All express or implied warranties for this product are limited to the above time. Whistler is not liable for damages arising from the use, misuse, or operation of this product.

23

WARRANTY INFORMATION

Service Under Warranty

During the warranty period, defective units will be repaired without charge to the purchaser when returned with a dated store receipt to the address below. Units returned without a dated store receipt will be handled as described in section

"Service Out Of Warranty."

Due to the specialized equipment necessary for testing a Laser-Radar receiver, there are no authorized service stations for Whistler brand detectors other than Whistler.

When returning a unit for service, please follow these instructions:

1. Ship the unit in the original carton or in a suitable sturdy equivalent, fully insured, with return receipt requested to:

Whistler Repair Dept.
551 N. 13th St.
Rogers, AR. 72756

Please allow 3 weeks turnaround time.

Important: Whistler will not assume responsibility for loss or damage incurred in shipping. Therefore, please ship your unit insured with return receipt requested.

CODs will not be accepted!

2. Include with your unit the following information, clearly printed:
 - Your name and street address (*for shipping via UPS*), a daytime telephone number and an email address, if applicable.
 - A detailed description of the problem (e.g., "Unit performs self-test but does not respond to radar").
 - A copy of your dated store receipt or bill of sale.

24

WARRANTY INFORMATION

Important: When returning your unit for service, be certain to include a daytime telephone number and an email address (if applicable).

Customer Service

If you have questions concerning the operation of your Whistler detector, or require service during or after the warranty period, please call Customer Service at:

1-800-531-0004

Representatives are available to answer your questions Monday - Friday from 8:00 a.m. to 5:00 p.m. (CT) or visit the F.A.Q.'s at www.whistlergroup.com.

SPECIFICATIONS

Radar Frequencies:

10.500 - 10.550 GHz (X Band)
24.050 - 24.250 GHz (K Band)
33.400 - 36.000 GHz (Ka Superwideband)

Operating Temperature Range:

-10 C to +70 C (-41 F to +158 F)

Power Requirements:

Operational 12 to 15 volts DC, 250mA nominal
Vehicle Battery Saver, 30mA nominal.

One or more U.S. patents may apply:
#5,146,227, #5,379,456, #5,666,120, #5,990,821
#7,215,276

POP™ Mode is a trademark of MPH Industries, Inc.



SWS™ is a trademark of Safety Warning System L.C.

Specifications are subject to change without notice.

26

WARRANTY INFORMATION

3. Be certain your unit is returned with its serial number. For reference, please write your unit's serial number in the following space:
s/n _____.

Units without serial numbers are not covered under warranty.

Important: To validate that your unit is within the warranty period, make sure you keep a copy of your dated store receipt. You may register your warranty online at www.whistlergroup.com, however, for warranty verification purposes, a copy of your dated store receipt must accompany any unit sent in for warranty work.

Service Out of Warranty

Units will be repaired at "out of warranty" service rates when:

- The unit's original warranty has expired.
- A dated store receipt is not supplied.
- The unit has been returned without its serial number.
- The unit has been abused, modified, installed improperly, or had its housing removed.

The minimum out of warranty service fee for your Whistler detector is \$75.00 (U.S.). If you require out of warranty service, please return your unit as outlined in the section "Service Under Warranty" along with a certified check or money order for \$75.00. Payment may also be made by MasterCard, VISA, or American Express; **personal checks are not accepted.**

In the event repairs cannot be covered by the minimum \$75.00 service fee, you will be contacted by a Whistler technical service specialist who will outline options available to you. If you elect not to have your unit repaired, it will be returned to you along with your certified check or money order.

25

ACCESSORIES

These and other accessories can be ordered directly from Whistler by calling **1-800-531-0004** or visiting our online store at www.whistlergroup.com

Order #	Description	Price
500501	Zipped Travel Case	\$ 9.95
403774	Intellicord®	\$27.95
202152	Large Windshield Bracket Kit	\$ 9.95
206552	Straight Power Cord (5')	\$14.95
206553	Coiled Power Cord (7')	\$15.95
206880	Hardwire Kit (10') (for wiring to fuse box)	\$ 9.95
206666	Modular* Cord Package (includes coiled and straight cords, and power adapter)	\$17.95
202156	Package of 4 Suction Cups	\$ 2.95
402081	Non Skid Dash Pad	\$ 6.95
206660	Straight Modular Cord & Socket Multiplier	\$11.95
206661	Coiled Modular Cord & Socket Multiplier	\$12.95

* Modular: Interconnecting pieces cord and plug.
Shipping and handling (per order) \$5.00 . Prices are subject to change without notice.

27

Free Manuals Download Website

<http://myh66.com>

<http://usermanuals.us>

<http://www.somanuals.com>

<http://www.4manuals.cc>

<http://www.manual-lib.com>

<http://www.404manual.com>

<http://www.luxmanual.com>

<http://aubethermostatmanual.com>

Golf course search by state

<http://golfingnear.com>

Email search by domain

<http://emailbydomain.com>

Auto manuals search

<http://auto.somanuals.com>

TV manuals search

<http://tv.somanuals.com>