

WHITE



OUTDOOR PRODUCTS OWNER'S GUIDE



LGT-165

**Model Number
131-826H190**

INDEX

Slope Gauge	3
Contents of Hardware Pack	4
Rules for Safe Operation	5
Assembly	6
Controls	11
Operation	12
Adjustments	13
Lubrication	15
Maintenance	16
Off-Season Storage	18
Trouble Shooting Chart	19, 20
Electrical Diagram	21
Illustrated Parts for Tractor	22-32

Dear Customer,

So often throughout the year we are all in a rush to meet our daily obligations.

However, we at White Outdoor Products are taking a quick moment out to say...

"Thank you for your business."

Sincerely,

WHITE OUTDOOR PRODUCTS



INSTRUCTIONS GIVEN WITH THIS SYMBOL ARE FOR PERSONAL SAFETY. BE SURE TO FOLLOW THEM.

LIMITED WARRANTY

For two years from the date of original retail purchase, WHITE OUTDOOR PRODUCTS COMPANY will either repair or replace, at its option, free of charge, F.O.B. factory or authorized service firm, any part or parts found to be defective in material or workmanship. Transportation charges for the movement of any power equipment unit or attachment are the responsibility of the purchaser. Transportation charges for any parts submitted for replacement under this warranty must be paid by the purchaser unless such return is requested by WHITE OUTDOOR PRODUCTS COMPANY.

This warranty will not apply to any part which has become inoperative due to misuse, excessive use, accident, neglect, improper maintenance, alterations, or if the unit has not been operated and maintained in accordance with the instructions furnished. This warranty does not apply to the engine, Peerless components, motor, battery (except as noted below) or component parts thereof. Please refer to the applicable manufacturer's warranty on these items.

A battery which proves defective within ninety (90) days will be replaced without charge. After 90 days but within one hundred twenty (120) days from the date of purchase, WHITE OUTDOOR PRODUCTS COMPANY will replace the defective battery for a charge of 1/2 of the current retail price of the battery in effect at the date of return.

Warranty on units used commercially is limited to sixty (60) days.

Warranty service is available through your local authorized service dealer or distributor. If you do not know the dealer or distributor in your area, please write to the Customer Service Department of WHITE OUTDOOR PRODUCTS.

The return of a complete unit will not be accepted by the factory unless prior written permission has been extended by WHITE OUTDOOR PRODUCTS.

This express limited warranty is in lieu of all other warranties, express or implied, including any implied warranty of merchantability. The remedy of replacement is the sole and exclusive remedy for WHITE OUTDOOR PRODUCTS obligations arising from the sale of its products. In no case will WHITE OUTDOOR PRODUCTS COMPANY be liable for incidental or consequential loss or damage.

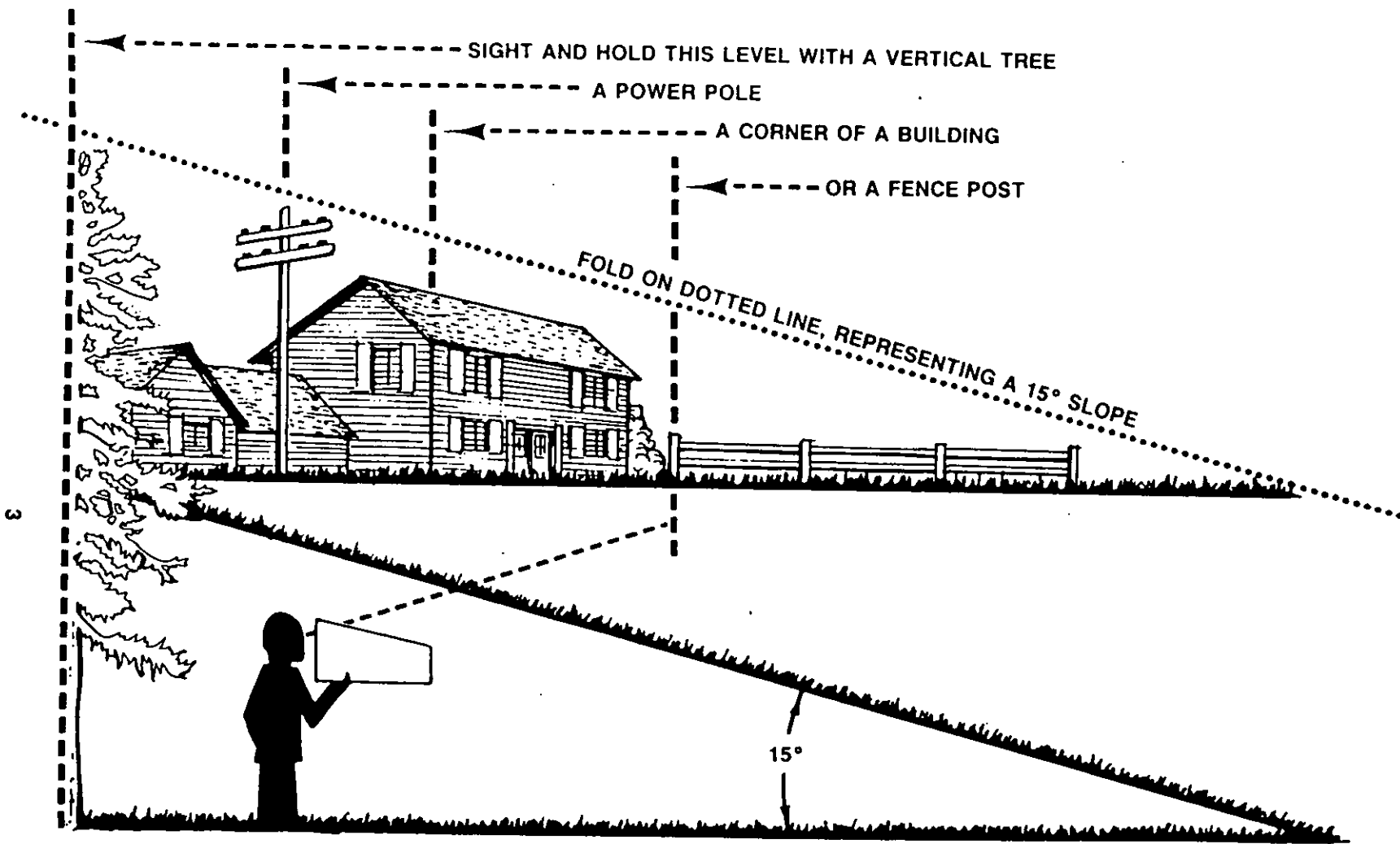
This warranty gives you specific legal rights. You may also have other rights which vary from state to state.

WARNING: This unit is equipped with an internal combustion engine and should not be used on or near any unimproved forest-covered, brush-covered or grass-covered land unless the engine's exhaust system is equipped with a spark arrester meeting applicable local or state laws (if any). If a spark arrester is used, it should be maintained in effective working order by the operator.

In the State of California the above is required by law (Section 4442 of the California Public Resources Code). Other states may have similar laws. Federal laws apply on federal lands. A spark arrester muffler is available through your nearest engine authorized service dealer or contact the customer service department of WHITE OUTDOOR PRODUCTS.

Cut Along This Line

USE THIS SHEET AS A GUIDE TO DETERMINE SLOPES WHERE YOU MAY NOT OPERATE SAFELY.



(Keep this sheet in a safe place for future reference.)

SLOPE GAUGE



WARNING

Do not mow on inclines with a slope in excess of 15 degrees (a rise of approximately 2½ feet every 10 feet). A riding mower could overturn and cause serious injury. If operating a walk-behind mower on such a slope, it is extremely difficult to maintain your footing and you could slip, resulting in serious injury.

Operate RIDING mowers up and down slopes, never across the face of slopes.

Operate WALK-BEHIND mowers across the face of slopes, never up and down slopes.

CONTENTS OF HARDWARE PACK

Remove this sheet from your owner's manual and lay the hardware on the illustration for identification purposes. Refer to the separate deck manual for any information concerning the deck. After assembly, keep the Slope Gauge which is on the reverse side of this sheet for future use.

(Hardware pack may contain extra items which are not used on your unit.
Part numbers are shown in parentheses.)

A STEERING WHEEL INSTALLATION
(Steering Wheel Insert is Not Shown)

Steering Wheel Adapter (717-0935)

Cupped Washer 5/16" I.D. (736-0242)

Large Flat Washer (736-0418)

Steering Bellows (731-0954)

B INSTALLING THE BATTERY
(Black Plastic Battery Cover Is Not Shown)

Plastic Wing Nuts (712-0113)

Battery Hold-Down Rods (711-0222)

Push Nuts (726-0271)

Mounting Clamp (726-0273)

Self-Tapping Screw 1/2" Long (710-0599)

C ATTACHING THE DECK LINKS

Eyebolts (711-0817)
(Not Shown to Scale)

Hex Nuts 1/2-13 Thread (712-0206)

D FINAL ASSEMBLY

Mounting Clips (727-0425A)
(Quantity—20)


E IGNITION KEYS
Not Shown—
May be Attached to Tractor

Cut Along This Line



IMPORTANT

RULES FOR SAFE OPERATION

THIS SYMBOL POINTS OUT IMPORTANT SAFETY INSTRUCTIONS WHICH, IF NOT FOLLOWED, COULD ENDANGER THE PERSONAL SAFETY AND/OR PROPERTY OF YOURSELF AND OTHERS. READ AND FOLLOW ALL INSTRUCTIONS IN THIS MANUAL BEFORE ATTEMPTING TO OPERATE YOUR UNIT. FAILURE TO COMPLY WITH THESE INSTRUCTIONS MAY RESULT IN PERSONAL INJURY. WHEN YOU SEE THIS SYMBOL—  HEED ITS WARNING.



DANGER:

Your unit was built to be operated according to the rules for safe operation in this manual. As with any type of power equipment, carelessness or error on the part of the operator can result in serious injury. If you violate any of these rules, you may cause serious injury to yourself or others.

1. READ THIS OWNER'S MANUAL carefully in its entirety before attempting to assemble or operate this unit. Keep this manual in a safe place for future and regular reference and for ordering replacement parts.
2. This unit is a precision piece of power equipment, not a plaything. Therefore exercise extreme caution at all times.
3. Know the controls and how to stop the machine quickly.
4. Do not allow children under 14 years old to operate vehicle. Children 14 years and over should only operate unit under close parental supervision. Do not allow anyone to operate it without proper instruction. Only persons well acquainted with these rules of safe operation should be allowed to use your mower.
5. Wear sturdy, rough-soled work shoes and close-fitting slacks and shirts. Do not wear loose fitting clothes or jewelry. They can be caught in moving parts. Never operate a unit in bare feet, sandals, or sneakers.
6. To prevent injury, do not carry passengers or give rides. Keep children, pets and bystanders out of the area while mowing. Only the operator should ride on the unit and only ride in the seat.
7. Check overhead clearance carefully before driving under power lines, guy wires, bridges or low hanging tree branches, before entering or leaving buildings, or in any other situation where the operator may be struck or pulled from the unit, which could result in serious injury.
8. To maintain control of the unit and reduce the possibility of upset or collision, operate the tractor smoothly. Avoid erratic operation and excessive speed.
9. Thoroughly inspect the area to be mowed. Remove all stones, sticks, wire, bones and other foreign objects. Keep the area of operation clear of all persons, particularly small children and pets. Stop engine when they are in the vicinity of your mower. Although the area of operation should be completely cleared of foreign objects, a small object may have been overlooked and could be accidentally thrown by the mower in any direction and cause injury to you or a bystander. Plan your mowing pattern to avoid discharge of material toward roads, sidewalks, bystanders, pets and the like.
10. Always wear safety glasses or eye shields during operation or while performing an adjustment or repair, to protect eyes from foreign objects that may be thrown from the machine in any direction.
11. Stop the blade(s) when crossing gravel drives, walks or roads.
12. Disengage all attachment clutches, thoroughly depress the brake pedal, and shift into neutral before attempting to start engine.
13. Before leaving the operator's position, disengage blade(s), place shift lever in neutral, engage parking brake, shut engine off and remove key.
14. Do not put hands or feet near or under rotating parts. Keep clear of the discharge opening at all times as the rotating blade(s) can cause injury.
15. Disengage power to attachment(s) and stop engine before making any repairs or adjustments. Disconnect the spark plug wire and keep the wire away from the plug to prevent accidental starting.
16. Before attempting to unclog the mower or discharge chute, stop the engine. The mower blade(s) may continue to rotate for a few seconds after the engine is shut off. Therefore, be sure the blade(s) have stopped completely. Disconnect the spark plug wire and keep the wire away from the plug to prevent accidental starting.
17. Disengage power to attachment(s) when transporting or not in use.
18. For your safety, use the slope gauge included as part of this manual to measure slopes before operating this unit on a sloped or hilly area. If the slope is greater than 15° as shown on the slope gauge, do not operate this unit on that area or serious injury could result.
19. Do not stop or start suddenly when going uphill or downhill. Mow up and down face of steep slopes; never across the face. Use extreme caution if it is necessary to drive the tractor up an incline or back the tractor down an incline because the front of the tractor could lift and rapidly flip over backward which could cause serious injury.
20. Reduce speed on slopes and in sharp turns to prevent tipping or loss of control. Always keep the tractor in low gear when going down steep hills to take advantage of engine braking action. Choose a low enough gear so that you will not have to stop or shift while on the slope.
21. Stay alert for holes in terrain and other hidden hazards which may cause the unit to tip over.
22. Use care when pulling loads or using heavy equipment.
 - A. Use only approved drawbar hitch points.
 - B. Limit loads to those you can safely control.
 - C. Do not turn sharply. Use care when backing.
 - D. Use counterweight(s) or wheel weights when suggested in owner's manual.
23. Watch out for traffic when crossing or near roadways.
24. When using any attachments, never direct discharge of material toward bystanders nor allow anyone near vehicle while in operation.
25. Handle gasoline with care. It is highly flammable.
 - A. Extinguish cigarettes, cigars, pipes and all other sources of ignition.
 - B. Use approved gasoline container.
 - C. Never remove cap or add gasoline to a running or hot engine or fill fuel tank indoors. Allow to cool at least 2 minutes before refilling. Wipe up spilled gasoline. Always use original type vented cap.
 - D. Open doors if engine is run in garage. Exhaust fumes are dangerous. Do not run engine indoors.
26. Never store the machine with fuel in the fuel tank inside a building where fumes may reach an open flame or spark, such as hot water and space heaters, clothes dryers, and the like. Allow the engine to cool before storing in any enclosure.
27. To reduce fire hazard, keep engine and cutting deck free of grass, leaves or excessive grease or oil.
28. Keep the vehicle and attachments in good operating condition, and keep safety devices in place. Use guards as instructed in operator's manual. Do not operate this unit unless the chute deflector, guards, and safety interlock system are installed and functioning properly.
29. Keep all nuts, bolts, and screws tight to be sure the equipment is in safe working condition.
30. The vehicle and attachments should be stopped and inspected for damage after striking a foreign object. The damage should be repaired before restarting and operating the equipment.
31. Do not change the engine governor settings or overspeed the engine.

RULES FOR SAFE OPERATION (CONTINUED)

32. When using the vehicle with mower, proceed as follows:
 - A. Mow only in daylight or in good artificial light.
 - B. Never make a cutting height adjustment while engine is running if operator must dismount to do so.
 - C. Shut the engine off and wait until the blade comes to a complete stop before removing the grass catcher.
 - D. Check blade mounting bolts for proper tightness at frequent intervals. Also, check blades for wear or damage (e.g. bent, cracked). Replace with blade which meets original equipment specifications.
33. Check grass catcher bags frequently for wear or deterioration. For safety protection, replace only with new bag meeting original equipment specifications.
34. Look behind to make sure the area is clear before placing the transmission in reverse and continue looking behind while backing up. Disengage blades before shifting into reverse and backing up.
35. This unit should not be driven up a ramp onto a trailer or truck under power, because the unit could tip over, causing serious personal injury. The unit must be pushed manually to load properly.
36. Check brake operation frequently. Adjust and service according to brake adjustment instructions in this manual.
37. Muffler, engine, and belt guards become hot during operation and can cause a burn. Allow to cool down before touching.

ASSEMBLY INSTRUCTIONS

IMPORTANT: This unit is shipped **WITHOUT GASOLINE** or **OIL**; however, some oil may be present from the factory. Do not overfill. After assembly, service engine with gasoline and oil as instructed in the separate engine manual packed with your unit.

NOTE: Reference to right or left hand side of the unit is observed from the driver's seat, facing forward. Refer to the separate deck manual for all information concerning the deck.

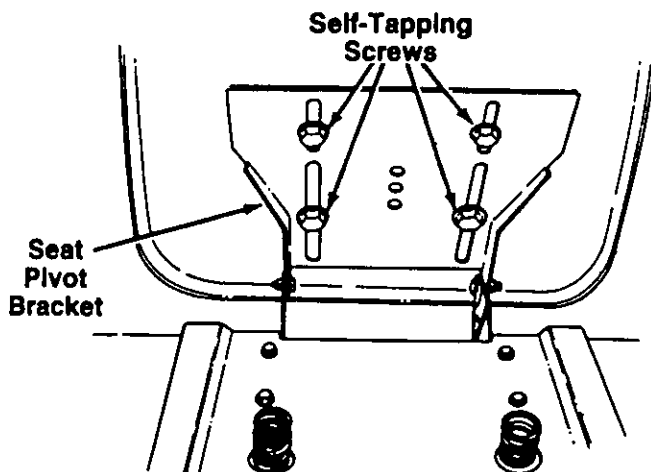


FIGURE 1.


UNPACKING

1. Remove the carton from the tractor as follows. Cut and remove the bands around the carton. Open the top flaps and remove all carton inserts. Lift the carton off the tractor. Using the relief valve, remove the deck from beneath the tractor. Using the relief valve, roll the tractor off the skid. Make certain all parts and literature have been removed from the carton before the carton is discarded.
2. Remove page four from this manual and lay the contents of the hardware pack on the illustration for identification.

SEAT ASSEMBLY

Remove the four hex self-tapping screws from the bottom of the seat. Place the seat in position against the seat pivot bracket, lining up the slotted holes in the pivot bracket with the holes in the seat. Select desired position for the seat, and secure with hex self-tapping screws. See figure 1.

BATTERY INFORMATION

-  **WARNING**
- A. Battery acid must be handled with great care as contact with it can burn and blister the skin. It is also advisable to wear protective clothing (goggles, rubber gloves and apron) when working with it.*
 - B. Should battery acid accidentally splatter into the eyes or onto the face, rinse the affected area immediately with clean, cold water. If there is any further discomfort, seek prompt medical attention.
 - C. If acid spills on clothing, first dilute it with clean water, then neutralize with a solution of ammonia/water or baking soda/water.
 - D. Since battery acid is corrosive, do not pour it into any sink or drain. Before discarding empty electrolyte containers, rinse them with a neutralizing solution.
 - E. NEVER connect or disconnect charger clips to battery while charger is turned on as it can cause sparks.
 - F. Keep all lighted materials (cigarettes, matches, lighters) away from the battery as the hydrogen gas generated during charging can be combustible.
 - G. As a further precaution, only charge the battery in a well-ventilated area.
- *Always shield eyes, protect skin and clothing when working near batteries.

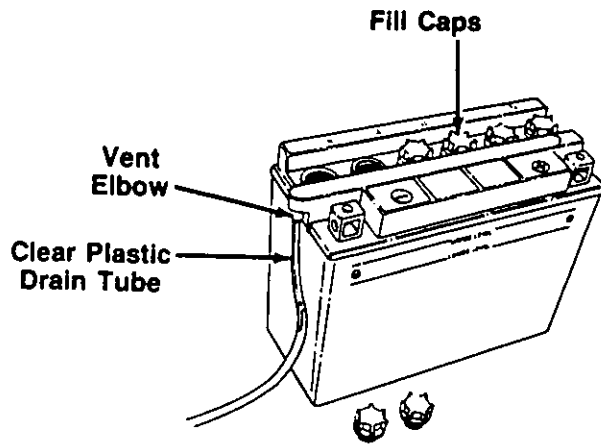


FIGURE 2.

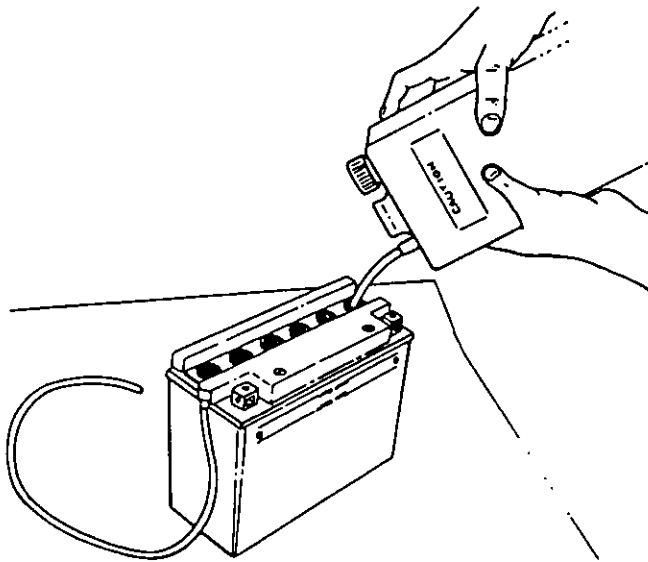


FIGURE 3.

ACTIVATING THE BATTERY

Do not activate battery (fill with battery acid) until battery is actually placed in service. Be certain to read previous warnings before activating the battery.

1. Open the battery pack. Be careful not to puncture the box. It contains the battery with a long plastic tube attached, battery fluid (acid) in a plastic container, one short plastic tube and one hardware pack (two hex bolts and nuts).
2. Place the battery on a table or workbench. Make certain the long plastic drain tube is in place on the vent elbow.
3. Remove the six fill caps from the top of the battery. See figure 2.
4. Place the battery fluid container on the table or workbench. Carefully cut off tip of the spout and attach the short plastic tube provided. Do not squeeze the container when cutting tip.
5. Fill each battery cell slowly and carefully to the UPPER LEVEL line marked on battery. Use caution as the acid level will rise rapidly after the bottom of the cell is filled.
6. Allow battery to stand for 30 minutes with the fill caps removed, while the plates absorb acid.
7. If acid level has fallen after the 30 minute standing period, refill each cell with battery acid to the UPPER LEVEL line on battery. Replace the fill caps.
8. Before discarding the empty container, neutralize any residue with baking soda and rinse container with water. Puncture container several times before discarding.
9. Charge the battery after the 30 minute standing period. SLOW CHARGE THE BATTERY (DO NOT FAST CHARGE) at a maximum bench rate of 2 amperes until the specific gravity reading is 1.265. Charge for a minimum of 3 hours and a maximum of 5 hours.



DANGER

Battery contains sulfuric acid. Refer to warning on page 6. Antidote: EXTERNAL—Flush with water. INTERNAL—Drink large quantities of water or milk. Follow with milk of magnesia, beaten egg or vegetable oil. Seek prompt medical attention. EYES: Flush with cool water for at least 15 minutes, then seek immediate medical attention.

Since batteries produce explosive gases, keep all lighted materials (cigarettes, lighters, matches, etc.) away. Be sure to charge battery only in well-ventilated areas.

KEEP BATTERIES
OUT OF THE REACH OF CHILDREN!

NOTE: This engine is equipped with an alternator. The current for the battery charger alternator is unregulated. During normal operation, it is only necessary to charge the battery:

1. When it is activated for the first time.
2. Before winter storage.
3. Before using the lawn tractor after winter storage.

NOTE: After battery has been charged, add only distilled water. Do not add acid.

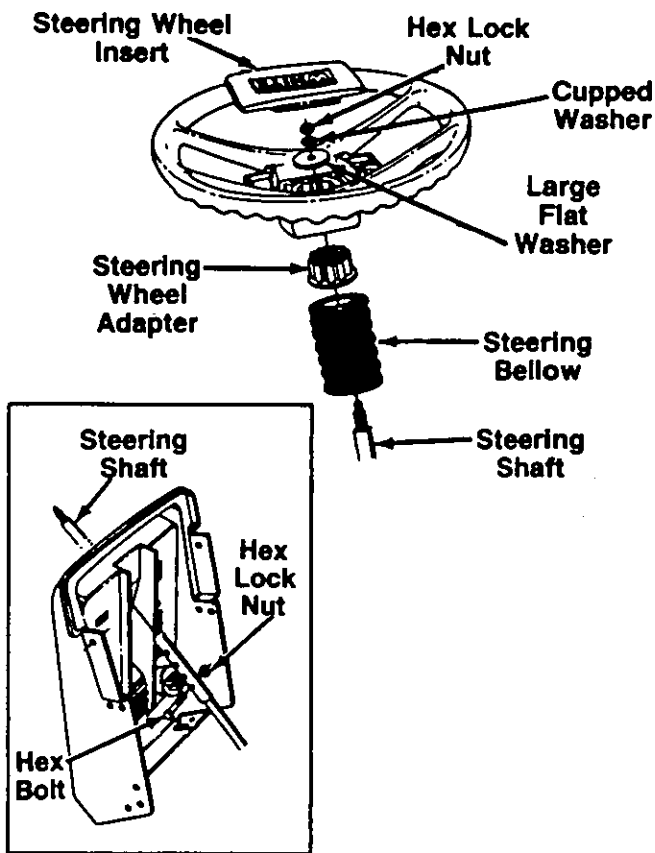
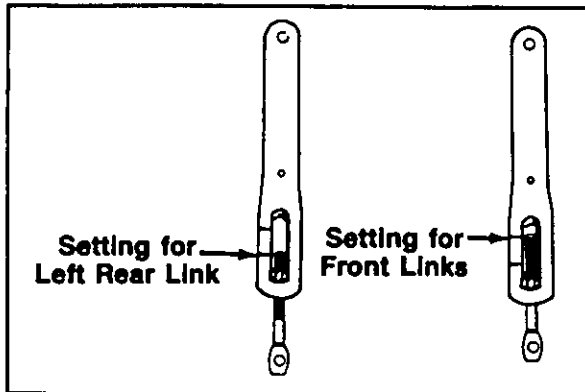


FIGURE 4.

STEERING WHEEL INSTALLATION (Hardware A)

1. There are four height positions for the steering wheel. For shipping purposes, the steering shaft is assembled in the lowest position. Lift the hood of the tractor. Remove the hex bolt and hex lock nut on the steering shaft. Raise the shaft to desired position and secure with hex bolt and hex lock nut. See figure 4, inset.
2. Position the front wheels of the tractor so they are pointing straight forward.
3. Remove the hex lock nut which is on top of the steering shaft.
4. Place the steering bellow over the steering shaft. Place steering wheel adapter over end of steering shaft as shown in figure 4.
5. Place steering wheel over the steering shaft, positioning the steering wheel so the spokes on the wheel are sideways.
6. Place large flat washer over steering shaft, then cupped washer (cupped side down). Secure with hex lock nut removed in step 3. See figure 4.
7. Place the steering wheel insert over the center of the steering wheel so the logo can be read from the operator's position, and press on by hand.



ATTACHING THE DECK LINKS (Hardware B)

The three adjustable deck links have been shipped unassembled. Attach as follows.

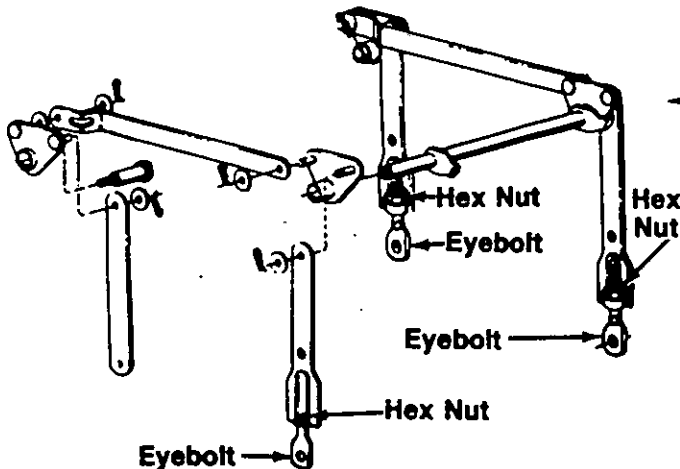


FIGURE 5.

1. Start 1/2" hex nuts on eyebolts provided. Insert the hex nuts and eyebolts into the adjustable lift links as shown in figure 5.
2. Thread eyebolts into the lift links and hex nuts. The left rear link should be adjusted so the eyebolt is to the lower mark as shown. The two front links should be adjusted to the higher mark.

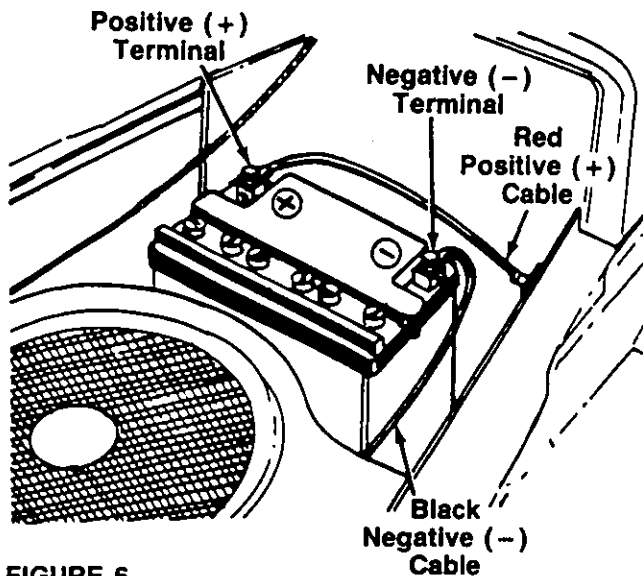


FIGURE 6.

INSTALLING THE BATTERY (Hardware C)

1. Place the battery on the battery plate with the terminals toward the rear of the tractor.
2. Attach the positive cable (heavy red wire) to the positive battery terminal (+) with hex bolt and hex nut provided with battery. See figure 6.

NOTE: The positive battery terminal is marked Pos. (+). The negative battery terminal is marked Neg. (-).

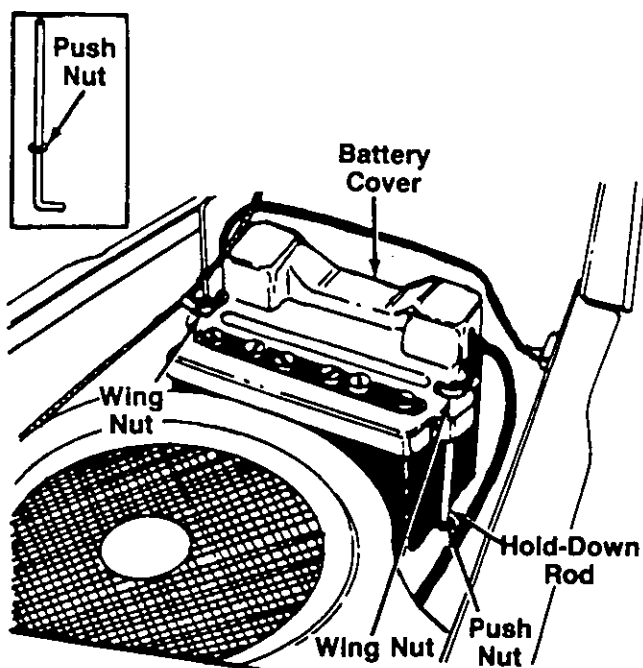


FIGURE 7.

3. Attach the negative cable (heavy black wire) to the negative battery terminal (-) with the other hex bolt and hex nut.
4. Attach one push nut to each battery hold-down rod as follows. Thread the push nut, flat side down, over the threads on hold-down rod, then slide it further down the rod. See figure 7, inset.
5. Hook one hold-down rod into the hole in battery plate beside the battery as shown in figure 7. Slide the push nut down the rod, against the battery plate. Place the black plastic battery cover in position over the hold-down rod. Secure with wing nut.
6. Attach other hold-down rod to the other side of battery cover in the same manner.

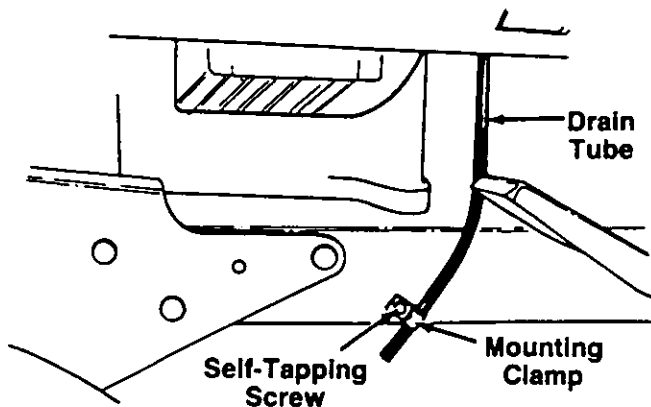


FIGURE 8.

7. Route the battery drain tube over to the left side of the tractor. Slip the end of the drain tube into the mounting clamp provided in hardware pack. Secure the mounting clamp to the tractor frame using the self-tapping screw as shown in figure 8.

NOTE: The vented battery allows any gases or liquid from the battery to be drained onto the ground.

8. Trim end of drain tube if more than 1 inch extends below the frame.

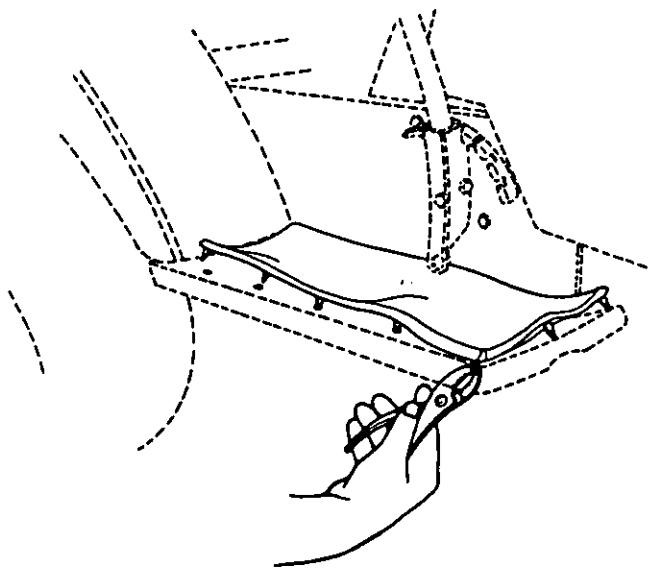


FIGURE 9.

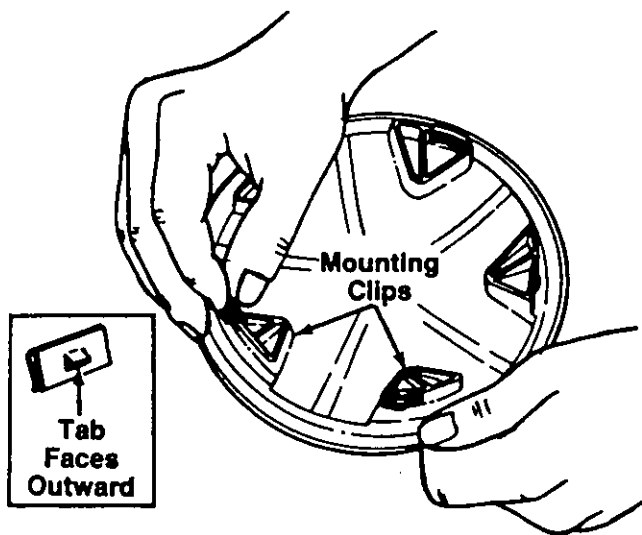


FIGURE 10.

FINAL ASSEMBLY

1. If not already assembled, attach foot pads as follows. Position one foot pad on top of the running board on the tractor, lining up the studs on the bottom of pad with the holes in the running board. Pull the studs through the holes in the running board using a pair of pliers. Repeat on other side of tractor. See figure 9.
2. Attach the four hub caps as follows.
 - a. Slide five mounting clips on each hub cap as shown in figure 10, with the tabs on the mounting clips facing outward.
 - b. Line up hub caps with wheel rims. Push hub caps on by hand.
3. Make certain all nuts and bolts are tightened securely.

TIRE PRESSURE

The tires on your unit may be over-inflated for shipping purposes. Reduce the tire pressure before operating the unit. Recommended operating tire pressure is approximately 12 p.s.i. (check sidewall of tire for tire manufacturer's recommended pressure).



WARNING: Maximum tire pressure under any circumstances is 30 p.s.i. Equal tire pressure should be maintained on all tires.

ATTACHING THE CUTTING DECK

Attach the cutting deck as instructed in the separate deck manual packed with your unit.

CONTROLS

IGNITION SWITCH

The ignition switch is located on the dashboard. Turn the key to the START position to start the engine. When the engine is running, leave the key in the ON position. To stop the engine, turn the key to the OFF position. See figure 11.



WARNING: Remove the key from the tractor when the tractor is not in use to prevent accidental starting.

THROTTLE CONTROL

The throttle control is located on the left side of the

dashboard and is used to regulate the engine speed. See figure 11. The engine should be operated from $\frac{3}{4}$ to full throttle (FAST) when operating any equipment that uses the tractor engine as a source of power such as the mowing deck, snow thrower or rotary tiller.

CHOKE CONTROL

The choke control is located on the right side of the dashboard and is operated manually. Details for the choke operation are covered in the separate engine manual packed with your unit. See figure 11.

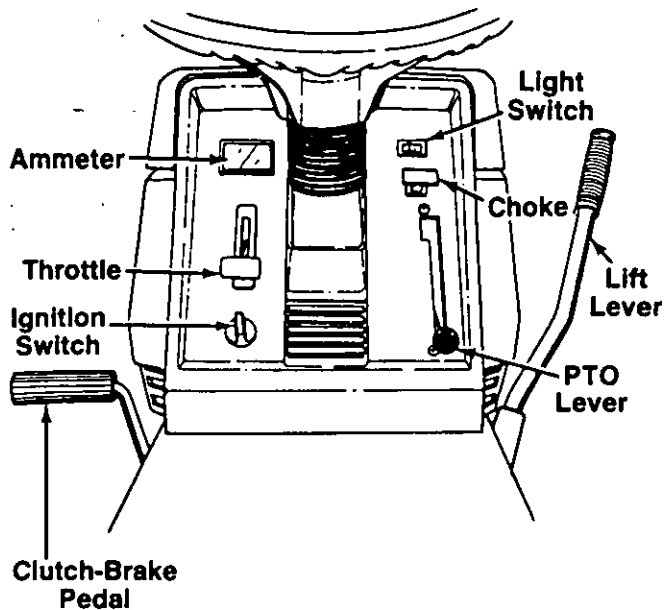


FIGURE 11.

LIGHT SWITCH

The head lamps are operated by pushing the light switch located on the dashboard. The head lamps will only operate when the engine is running. See figure 11.

AMMETER

The ammeter registers the rate of battery charge or discharge. The ammeter will register on the discharging side with starting the engine. It should register on the opposite side (charging) when the engine is running in the fast position until the battery is completely charged. With a fully charged battery or with the engine idling, the ammeter will not show a charge. See figure 11.

HYDROSTATIC CONTROL LEVER

The hydrostatic control lever is located on top of the fender on the left side of the tractor. This single control lever, connected to the hydrostatic transmission, controls both the speed and direction of the tractor. Infinite speed control is achieved by moving the control lever forward or backward. The farther forward or backward you move the control lever, the faster you will travel. Pulling the control lever into neutral (N) area will stop the tractor. To increase rear wheel torque (pulling power), move the control lever towards neutral (N) position. The lawn tractor responds similar to shifting to a lower gear with a gear type transmission. See figure 12.

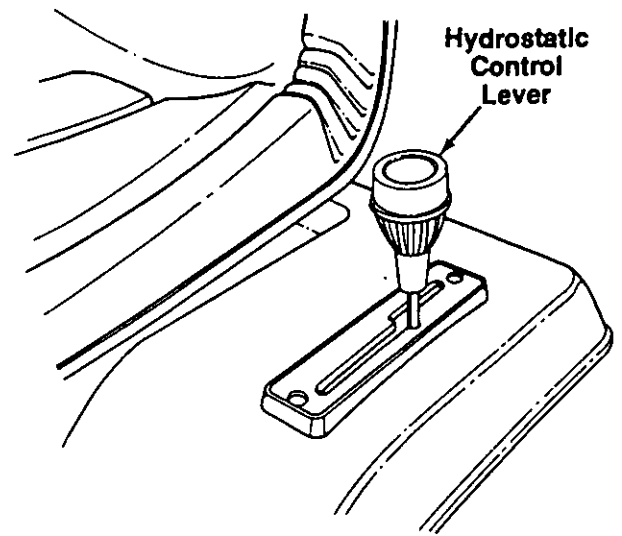


FIGURE 12.

CLUTCH-BRAKE PEDAL

The clutch-brake pedal is located on the left side of the tractor. See figure 11. Depressing the pedal disengages the engine from the hydrostatic transmission and applies the brake.

NOTE: *The clutch-brake pedal must be depressed to start the engine.*

PARKING BRAKE

To set the parking brake, depress the clutch-brake pedal and pull up the parking brake knob. It will stay in the raised position. To release the parking brake, depress and release the clutch-brake pedal. See figure 13.

NOTE: *The parking brake must be set if the operator leaves the seat with the engine running.*

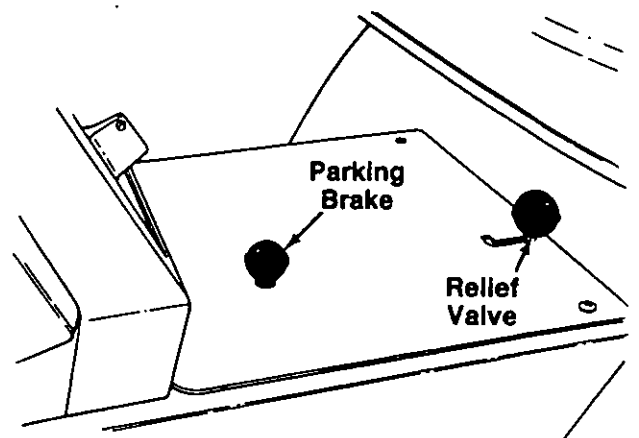


FIGURE 13.

RELIEF VALVE

A hydrostatic relief valve is provided so the unit can be moved without the engine running. The lever which operates the relief valve is located on the console. See figure 13.

To operate the relief valve, place the hydrostatic control lever in neutral, release the parking brake, push the lever forward and to the right to lock. Be certain to release the lever by pushing it to the left before operating the engine.

LIFT LEVER

The five position lift lever is used to change the operating position of the attachments. To operate, pull

the lever towards you. To release, move the lever to the right and then forward. See figure 11.

POWER TAKE-OFF (PTO) LEVER

The PTO lever is located on the right side of the dashboard. To engage the PTO, lift the lever slowly and lock it into the notch. See figure 11.

NOTE: *The PTO lever must be in the disengaged position (down) when starting the engine, when shifting into reverse and if the operator leaves the seat.*

OPERATION



CAUTION

GAS AND OIL FILL-UP

Service the engine with gasoline and oil as instructed in the separate engine manual packed with your tractor. Read instructions carefully.

The gasoline tank is located under the seat. The filler neck is behind the seat. Do not overfill.

NOTE: *Your tractor is shipped without oil; however, some oil may be present from the factory. Do not overfill.*



WARNING: Never fill fuel tank indoors, with engine running or while engine is hot.

OPERATING THE TRACTOR

IMPORTANT: This unit is equipped with a safety interlock system for your protection. The purpose of the safety interlock system is to prevent the engine from cranking or starting unless the clutch-brake pedal is depressed and the PTO lever is in the disengaged position. In addition, the PTO lever must be in the disengaged position when the unit is put into reverse or the engine will shut off. If the operator leaves the seat with the PTO lever engaged, and/or without setting the parking brake, the engine will shut off.



WARNING: Do not operate the tractor if the interlock system is malfunctioning because it is a safety device, designed for protection.

1. Place the PTO lever in the disengaged (down) position.
2. Depress the clutch-brake pedal and set the parking brake.
3. Place the hydrostatic control lever in the NEUTRAL (N) position.
4. Set the throttle control in the FAST position.

5. Pull out the choke control. (A warm engine requires less choking.)
6. Turn the ignition key to the right to the START position. After the engine starts, release the key. It will return to the ON position.
7. Slowly push in the choke as the engine warms up.
8. Depress the clutch-brake pedal so the parking brake is released and then release the clutch-brake pedal.
9. Move the hydrostatic control lever forward. The farther forward you move the hydrostatic control lever, the faster you will travel.
10. To stop the tractor, pull the hydrostatic control lever into NEUTRAL (N) or depress the clutch-brake pedal.
11. To shut off the engine, turn the ignition key to the left to the OFF position. Remove the key to prevent accidental starting while equipment is unattended.

Be sure that the lawn is clear of stones, sticks, wire, or other objects which could damage lawn tractor or engine. For best results and to insure more even grass distribution, do not mow when lawn is excessively wet.



WARNING: Before leaving the operator's position for any reason, disengage the blades, place the shift lever in neutral, engage the parking brake, shut engine off and remove the key.

When stopping the unit to empty a grass bag, etc., follow the instructions above. This procedure will also eliminate "browning" the grass, which is caused by hot exhaust gases from a running engine.

IMPORTANT: If you strike a foreign object, stop the engine. Remove wire from spark plug, thoroughly inspect the mower for any damage, and repair the damage before restarting and operating the mower.

NOTE: If any problems are encountered, refer to the *Trouble Shooting Charts* on pages 19 and 20.

GRASS COLLECTOR Model 190-083 is available as optional equipment for the lawn tractor shown in this manual.



WARNING: The mower should not be operated without the entire grass catcher or chute deflector in place.

NOTE: Under normal usage bag material is subject to wear, and should be checked periodically. Be sure any replacement bag complies with the mower manufacturer's recommendations.

For replacement bags, use only factory authorized replacement bag.

ADJUSTMENTS



WARNING: Disconnect the spark plug wire and ground against the engine before performing any adjustments, repairs or maintenance.

SEAT ADJUSTMENT

To adjust the position of the seat, loosen the four self-tapping screws on the bottom of the seat. See figure 1. Slide the seat forward or backward as desired. Retighten the self-tapping screws.

NEUTRAL ADJUSTMENT

To check the neutral adjustment of the hydrostatic control lever, proceed as follows.

Place the hydrostatic control lever in the forward position, then depress the clutch-brake pedal all the way. The lever should move to the neutral position. Place the hydrostatic control lever in the reverse position, then depress the clutch-brake pedal all the way. The lever should again move to neutral.

To adjust: (See figure 14)

1. Loosen the lock nut on the neutral return rod. Disconnect the ferrule on the neutral return rod from the speed selector handle bracket.
2. With the clutch-brake pedal depressed, place the hydrostatic control lever in neutral.
3. Adjust the ferrule on the rod until it lines up with the hole in the speed selector handle bracket.
4. Reassemble the ferrule to the speed selector handle bracket. Tighten the lock nut against the ferrule.
5. Check the adjustment of the hydrostatic transmission control as instructed in the next section.

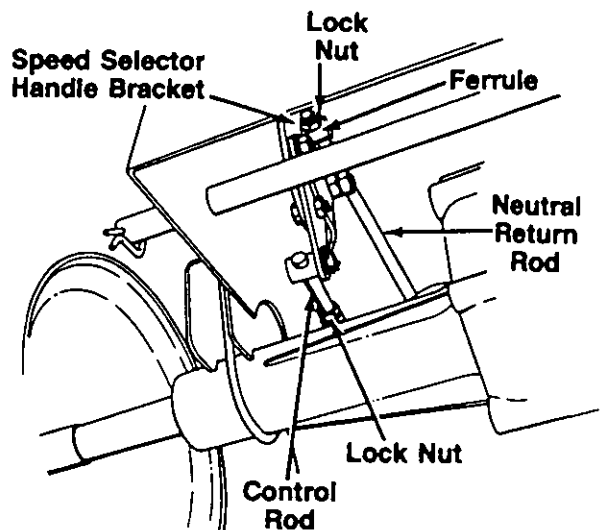


FIGURE 14.

HYDROSTATIC CONTROL ADJUSTMENT

The hydrostatic transmission control is in correct adjustment when the tractor does not move with the engine running, the clutch engaged and the hydrostatic control lever in the neutral position.

If adjustment is necessary, follow these steps:

1. Raise both rear wheels off the ground by placing blocks under the rear frame.
2. Loosen the lock nut (left hand thread) on the end of the control rod. See figure 14.
3. Place the hydrostatic control lever in the neutral position.
4. Start the tractor.
5. Release the clutch-brake pedal.

NOTE: DO NOT set the parking brake or the relief valve.



WARNING: Be careful of the cooling fan on the hydrostatic transmission.

6. Turn the control rod back and forth until the rear wheels do not rotate.
7. Shut off the engine.
8. Tighten the lock nut on the control rod.
9. Remove the blocks under the tractor frame and test the tractor operation.

LEVELING THE DECK

1. Check tire pressure in all four tires. Recommended pressure is approximately 12 p.s.i.
2. Make certain all deck wheels are mounted in same relative location.
3. On a level surface, engage the PTO and lower the deck until it reaches the ground.

All four deck wheels should reach the ground at the same time. If they do not, adjust the deck links as necessary.

NOTE: When adjusting the deck links, disengage the PTO. Remove the hairpin clip and washer from the weld bolt. Thread eyebolt up or down the link as necessary, and reassemble.

4. Raise the deck 1/2" to 1" above the aground.

Check to be certain the distance from the bottom edge of the deck to the ground is the same on both sides of the deck. If it is not, adjust the links on the left side of the unit.

Check to be certain the front of the deck is 1/4" to 3/8" lower than the rear of the deck. If it is not, adjust the two front links to obtain this distance.

STEERING WHEEL ADJUSTMENT

There are four height positions for the steering wheel. To adjust the height of the steering wheel, remove the hex bolt and hex lock nut on the steering shaft. Place the steering wheel in the position desired and secure with hex bolt and hex lock nut. Refer to figure 4.

NOTE: When raising the height of the steering wheel, stretch the steering bellows to cover the steering shaft.

The steering shaft may also be adjusted if there is too much play between the steering gear and segment. To adjust, loosen the hex bolt and nut on the front of the bearing retainer bracket. See figure 15. Pry the bearing retainer bracket toward the right until the steering gear engages solidly into the teeth of the steering segment. Retighten the hex bolt and nut.

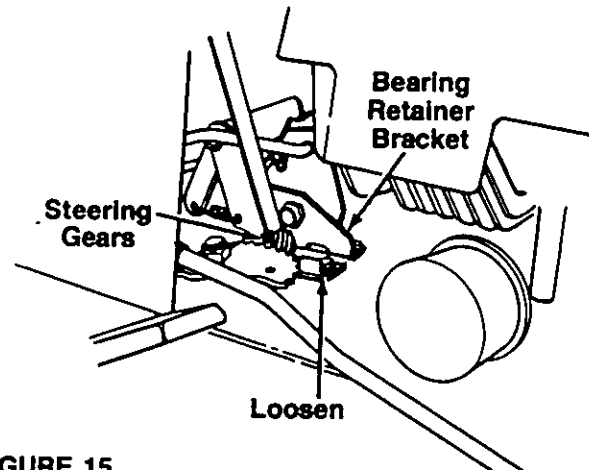


FIGURE 15.

BRAKE ADJUSTMENT (See figure 15)

The brake is located by the right rear wheel inside the frame. During normal operation of this machine, the brakes are subject to wear and will require periodic examination and adjustment.



WARNING: Do not adjust the brake while the engine is running. Be sure to block the wheels of the tractor before making the brake adjustment.

To adjust the brake, remove the cotter pin. Adjust the castle nut so the brake starts to engage when the brake lever is 1/4" to 5/16" away from the axle housing.

NOTE: Figure 16 is shown with the unit tipped up on rear wheels for clarity only.

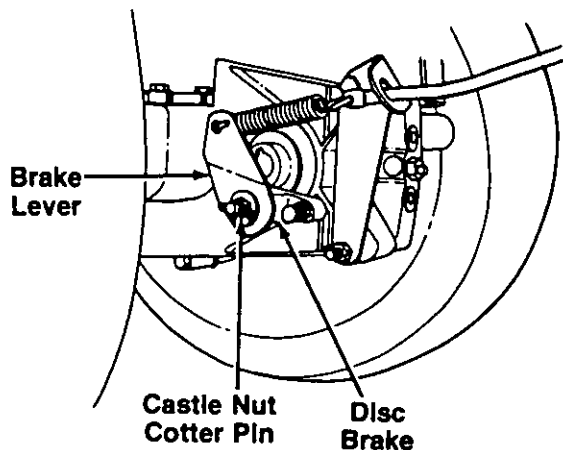


FIGURE 16.

CARBURETOR ADJUSTMENTS



WARNING: If any adjustments are made to the engine while the engine is running (e.g. carburetor), disengage all clutches and blades. Keep clear of all moving parts. Be careful of heated surfaces and muffler.

Minor carburetor adjustments may be required to compensate for differences in fuel, temperature, altitude and load. Refer to separate engine manual for carburetor adjustment information.

NOTE: A dirty air cleaner will cause an engine to run rough. Be certain air cleaner is clean and attached to the carburetor before adjusting carburetor.

LUBRICATION



WARNING: Always stop engine and disconnect spark plug wire before cleaning, lubricating or doing any kind of work on lawn tractor.

STEERING GEARS

Lubricate teeth of steering gears with automotive multi-purpose grease after every 25 hours of operation or once a season. Refer to figure 15.

STEERING SHAFT

Lubricate steering shaft at least once a season with light oil.

TRANSAXLE

The transaxle is lubricated and sealed at the factory and does not require checking. If disassembled for any reason, lubricate with 16 oz. of grease, part number 737-3047.

LINKAGE

Once a season lubricate all the pivot points on the clutch, brake and lift linkage with SAE 30 engine oil.

FRONT WHEELS

The front wheels are provided with grease fittings. The rear wheels must be removed from the axle for lubrication. Lubricate at least once a season with automotive multi-purpose grease.

PIVOT POINTS

Lubricate all pivot points with light oil at least once a season.

BALL JOINTS

The ball joints and drag link ends are permanently lubricated.

HYDROSTATIC OIL LEVEL

The transmission has been filled at the factory and should not require changing for the life of the transmission.

The transmission fluid level should be checked prior to initial use. The level should not be above the LOWER mark which is about 1/4" from the bottom of the expansion tank. See figure 17. Overfilling reduces the expansion area in the expansion tank and fluid will spill at operating temperatures.

If transmission fluid is needed, use only 10W30 engine oil rated SF or CD.

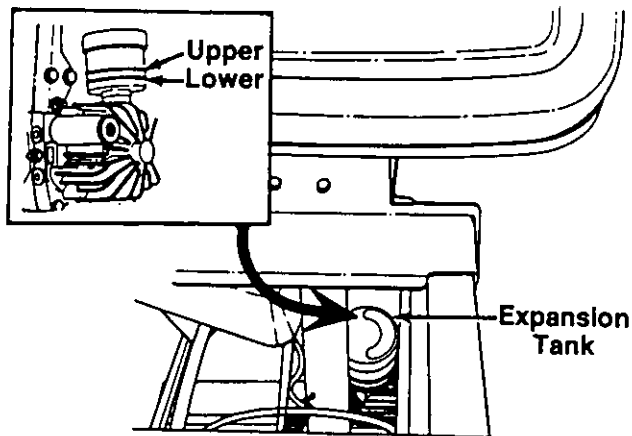


FIGURE 17.

To check or add fluid to the transmission:

1. Unscrew the parking brake and relief valve knobs.
2. Unscrew the two screws holding the access cover located in front of the seat.
3. Check the fluid level in the expansion tank. See figure 17.
4. If it is necessary to add fluid, unscrew the cap on the expansion tank. The cap has left hand threads. See figure 18. Remove the rubber bladder. Add fluid using a funnel. Do not overfill.
5. Reassemble parts.

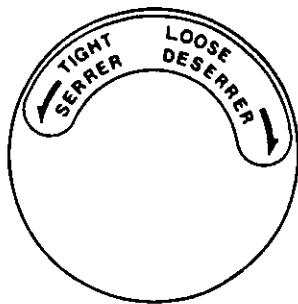


FIGURE 18.

If frequent additions are required, locate the leak and correct. Inadequate supply of fluid may result in permanent internal damage.

If the natural color of the transmission fluid has changed, black or milky, overheating and/or water contaminate is indicated. The fluid should be drained and replaced with new transmission fluid.

To drain the hydrostatic transmission, remove the hex plug on the bottom of the hydrostatic transmission.

HYDROSTATIC TRANSMISSION COOLING

The hydrostatic transmission is cooled by the oil, fan and fins. If the hydrostatic transmission runs hot, check to see if the fan is in operating condition, the oil level is correct and the fins are clean.

NOTE: DO NOT use high pressure water spray or steam to clean the hydrostatic transmission.

MAINTENANCE



WARNING: Disconnect the spark plug wire and ground against the engine before performing any adjustments, repairs or maintenance.

TROUBLE SHOOTING

Refer to the chart on pages 19 and 20 for trouble shooting engine problems.

CRANKCASE OIL

Check the oil level in the crankcase before each use of the machine and after every two hours of operation. Oil level should be maintained as instructed in the separate engine manual.

After the first two hours of operating a new engine, drain the oil from the crankcase while engine is still hot and refill crankcase with new oil; thereafter change the oil after every 25 hours of operation. Refer to the engine manual.

FUEL FILTER

Your unit is equipped with a replaceable in-line fuel filter. Replace filter whenever contamination or discoloration is noticed. Order replacement filter through your authorized engine service dealer.

WHEEL ADJUSTMENT

The caster (forward slant of the king pin) and the camber (tilt of the wheels out at the top) require no adjustment. Automotive steering principles have been used to determine the caster and camber on the tractor. The front wheels should toe-in 1/8 inch.

To adjust the toe-in, follow these steps.

1. Remove the hex nut and lock washer, and drop the end of the tie rod from the axle bracket. See figure 19.
2. Loosen the hex jam nut on tie rod.
3. Adjust the tie rod assembly for correct toe-in.

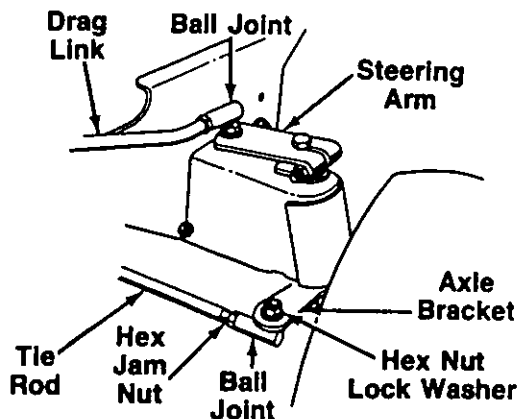


FIGURE 19.

Dimension "B" should be approximately 1/8" less than Dimension "A." See figure 20. To increase Dimension "B," screw tie rod into tie rod end. To decrease Dimension "B," unscrew tie rod from tie rod end. Reassemble tie rod. Check dimensions. Readjust if necessary.

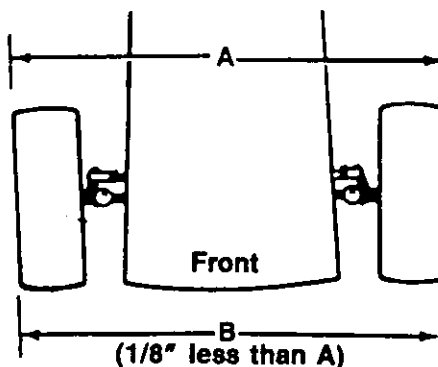


FIGURE 20.

DRAG LINK

If the drag link or ball joints are changed, the new assembly must be adjusted to the exact same length as the original. If adjusted incorrectly, it will allow the tractor to turn sharper one direction than the other.

To take off the drag link, remove the nuts and lock washers holding the ball joint to the steering gear and right front axle bracket. See figure 19.

ENGINE

Refer to separate engine manual for all engine maintenance procedures.

MAINTENANCE OF BATTERY

1. Check electrolyte level periodically (at least every two weeks). Keep the level to the split rings. Use only distilled water or a good quality drinking water. Never add acid or any other chemicals to the battery after initial activation.
2. The battery should be checked with a hydrometer after every 25 hours of operation. If the specific gravity is less than 1.225, the battery should be recharged. Maximum charge rate 5 AMPS.
3. Coat the terminals and exposed wire with a thin coat of grease or petroleum jelly for longer service and protection against corrosion.
4. The battery should be kept clean. Any deposits of acid should be neutralized with soda and water. Be careful not to get this solution in the cells.
5. Avoid tipping the battery. Even a "sealed" battery will leak electrolyte when tipped.

STORAGE OF THE BATTERY

1. Charge battery using normal methods. NEVER store discharged battery as it will not recover.
2. When storing battery for extended periods, disconnect battery cables. Removing battery from unit is recommended.
3. Store in cold, dry place.
4. Recharge battery whenever the specific gravity is less than 1.225, before returning to service, or every two months, whichever occurs first.

COMMON CAUSES FOR BATTERY FAILURE

1. Overcharging
2. Undercharging
3. Lack of water
4. Loose hold downs and/or corroded connections
5. Excessive loads
6. Battery electrolyte substitutes
7. Freezing of electrolyte

NOTE: *These failures do not constitute warranty.*

BATTERY REMOVAL OR INSTALLATION



WARNING: When removing the battery, follow this order of disassembly to prevent your wrench from shorting against the frame.

1. Remove the Negative cable.
2. Remove the Positive cable.

To install a battery:

1. Attach the Positive cable.
2. Attach the Negative cable.

JUMP STARTING

1. Attach the first jumper cable from the Positive terminal of the good battery to the Positive terminal of the dead battery.

2. Attach the second jumper cable from the Negative terminal of the good battery to the FRAME OF THE UNIT WITH THE DEAD BATTERY.



WARNING: Failure to use this starting procedure could cause sparking, and the gases in either battery could explode.

TIRES

Recommended operating tire pressure is approximately 12 p.s.i. (check sidewall of tire for tire manufacturer's recommended pressure). Maximum tire pressure under any circumstances is 30 p.s.i. Equal tire pressure should be maintained on all tires.

When installing a tire to the rim, be certain rim is clean and free of rust. Lubricate both the tire and rim generously. Never inflate to over 30 p.s.i. to seat beads.



WARNING: Excessive pressure (over 30 p.s.i.) when seating beads may cause tire/rim assembly to burst with force sufficient to cause serious injury.

DRIVE BELT REPLACEMENT (See figure 21)

1. Depress the clutch pedal and set parking brake.
2. Remove the deck from the tractor.
3. Raise and block the front wheels of the tractor so you can work under it.
4. Remove the four self-tapping screws which hold the belt keeper assembly to the frame at the engine pulley. Push the belt keeper assembly forward, out of the way. See figure 21.

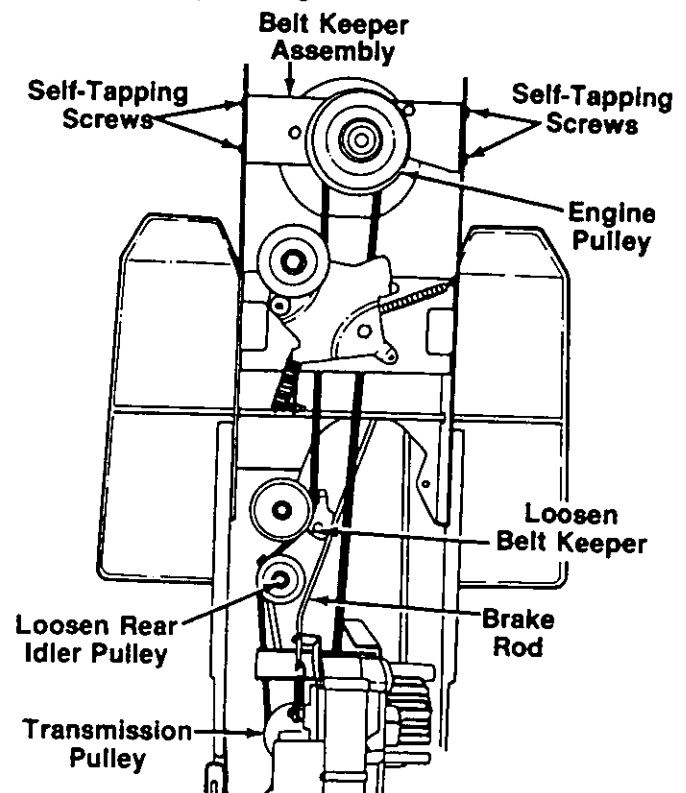


FIGURE 21.

5. Remove the rear belt guard at the transmission pulley by removing the two self-tapping screws shown in figure 22.
6. Loosen the hex bolt which acts as a belt keeper by the front idler pulley.
7. Loosen the rear idler pulley. Remove the belt from around both idler pulleys.

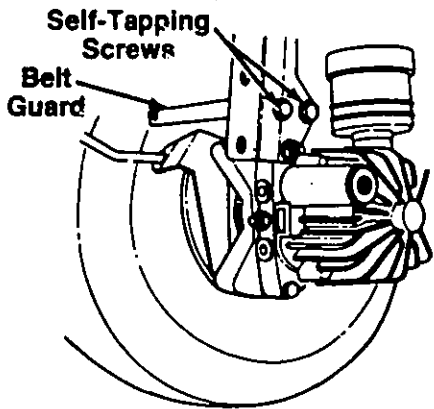


FIGURE 22.

8. Roll belt up off engine pulley, onto the pulley hub to obtain slack in the belt.
9. Remove belt from the transmission pulley, lifting the belt up over the fan on top of the pulley.
10. Remove belt from the engine pulley.
11. Release the parking brake (be certain unit is blocked securely). Disconnect the brake rod from the clutch-brake pedal by removing the hairpin clip and flat washer. See figure 23.
12. Remove the belt from around the brake rod.

Reassemble using a new belt, following instructions in reverse order.

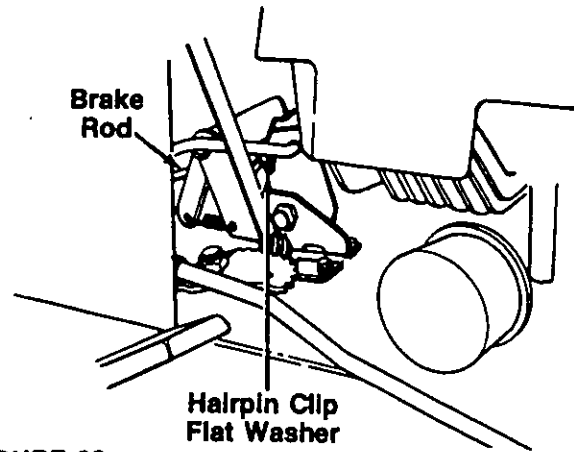


FIGURE 23.

OFF-SEASON STORAGE

If the machine is to be inoperative for a period longer than 30 days, prepare for storage as follows.

1. Clean the engine and the entire unit thoroughly.
2. Lubricate all lubrication points. Wipe the entire machine with an oiled rag to protect the surfaces.
3. Refer to the engine manual for correct engine storage instructions. The engine must be completely drained of fuel to prevent gum deposits from forming on essential carburetor parts, fuel lines and fuel tanks.
4. Refer to battery storage instructions on page 17.
5. Store unit in a clean, dry area.

NOTE: When storing any type of power equipment in an unventilated or metal storage shed, care should be taken to rustproof the equipment. Using a light oil or silicone, coat the equipment, especially any chains, springs, bearings and cables.

TROUBLE SHOOTING CHART FOR ELECTRIC START MODELS

TROUBLE	LOOK FOR	REMEDY
Engine will not crank	Battery installed incorrectly	The battery must be installed with the negative terminal, identified at the terminal post by (Neg, N or -), grounded. The positive terminal (Pos, P or +) attaches to the large cable from the solenoid. The small red wire from the fuse holder or circuit breaker is also attached to the positive terminal.
	Blown fuse or circuit breaker	Replace fuse with 7½ amp. fuse ¼ x 1¼" lg. Circuit breaker will reset itself when it cools off. Fuses or circuit breakers seldom open or fail without a reason. The problem must be corrected. Check for loose connections in the fuse holder. Replace fuse holder if necessary. A dead short may be in the cranking or charging circuit where the insulation may have rubbed through and exposed the bare wire. Replace the wire or repair with electrician's tape if the wire strands have not been damaged. Note: Look for a wire pinched between body panels, burned by the exhaust pipe or muffler or rubbed against a moving part.
	Battery is dead or weak	<p>Use a hydrometer to check the condition of the battery. The Specific Gravity (s.g.) should be 1.265 at 80°F. (1.215 s.g. minimum needed for cranking engine). The reason for the battery failing must be determined. (1) Defective battery. Battery will not accept or hold a full charge. (2) Short circuit. Check for grounded wire. (3) Charging system not working.</p> <p>The charging system is an alternator located under the flywheel. It is unregulated and rated 3 amp. at 3600 r.p.m. A diode (rectifier) is located in the output lead just before the wire harness plug on the engine side.</p> <div style="text-align: center;"> </div> <p>The diode changes A.C. to D.C. to charge the battery. A bad diode can either fail to charge the battery or discharge the battery if the alternator is shorted as well as the diode. To test: (1) Disconnect charger lead from the battery (small red wire). (2) Connect 12 V small test lamp between the 3 amp. D.C. charge lead and the positive terminal of the battery. (3) With the engine off, the lamp should not light. If it does, the diode and possibly the alternator should be replaced. (4) Start the engine. The lamp should light. If it does not, the alternator (stator) or lead wire is bad and should be replaced.</p>
Mechanical failure (Wires and switches)	The interlock system includes two mechanical activated switches which are wired in series in the circuit used to energize the starter solenoid. While testing the interlock system, you will make the mower temporarily unsafe by permitting the engine to be started with the blade and clutch engaged. WARNING: While testing, disengage the clutch, shut off the blade control, set the parking brake and place the gear shift lever in neutral. Attach a wire (minimum 18 gauge) to the positive terminal of the battery and touch the other end to the small terminal on the solenoid. If the engine does not crank: (1) There is a loose connection or poor ground. (2) The solenoid may be bad. The solenoid can be checked by using a heavy wire (#8 gauge minimum) and jumping between the two large terminals. If the engine cranks, the solenoid is bad. (3) If the engine does not crank when you jump the solenoid, have the starter motor tested by an authorized engine dealer. If the engine does crank, the problem is with one of the safety switches, ignition switch or the wire between the fuse holder (or circuit breaker) and the small terminal on the solenoid. Note: Look for a poor connection at the switches or a defective switch. Replace if necessary.	
Engine cranks but will not start	Throttle or choke not in starting position	Check owner's guide for correct position for throttle control and choke for starting.
	No spark to spark plug	<p>Spark plug lead disconnected. Connect lead. Hold spark plug lead away from engine block about 1/8". Crank engine. There should be a spark. If not, have engine repaired at authorized engine service dealer.</p> <p>Faulty spark plug. To test, remove spark plug. Attach spark plug lead to spark plug. Ground the spark plug body against the engine block. Crank the engine. The spark plug should fire at the electrode. Replace if it does not.</p>

TROUBLE SHOOTING CHART FOR ELECTRIC START MODELS

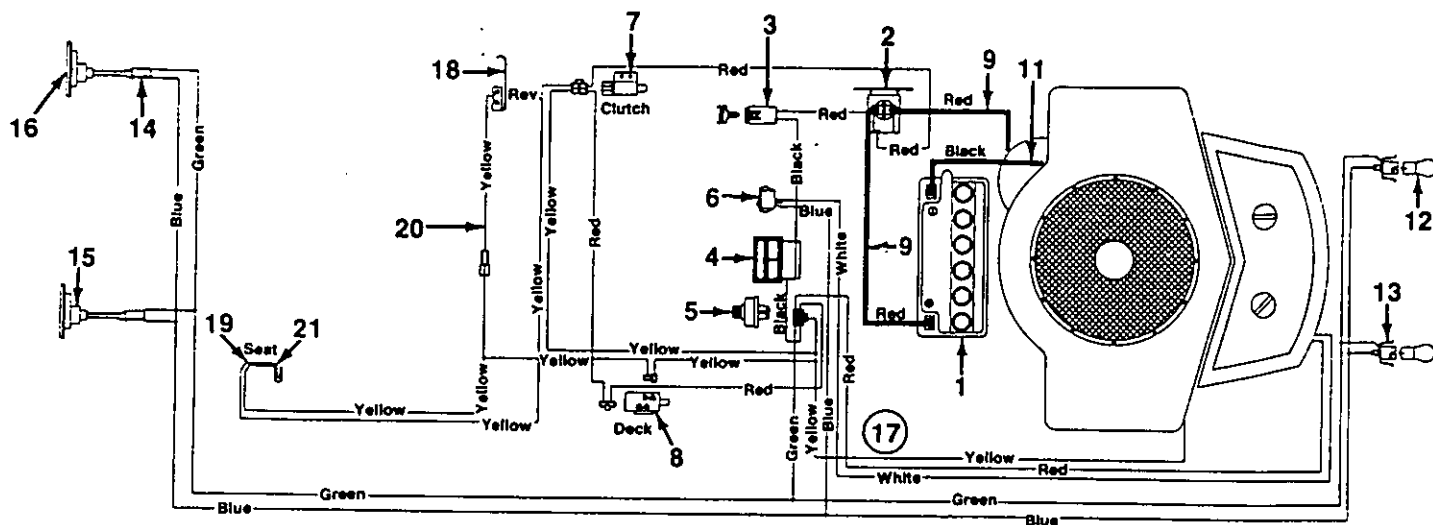
TROUBLE	LOOK FOR	REMEDY
	No fuel to the carburetor	Gasoline tank empty. Fill. Fuel line or in-line fuel filter plugged. Remove and clean fuel line. Replace filter if necessary.
	Air filter dirty	If the air cleaner is dirty, the engine may not start. Clean or replace as recommended by the engine manufacturer.
Engine smokes	Engine loses crankcase vacuum	Dipstick not seated or broken. Replace defective part. Engine breather defective. Replace.
Excessive vibration	Bent or damaged blade spindle	Stop engine immediately. Check all pulleys, blade adapters, keys and bolts for tightness and damage. Tighten or replace any damaged parts.
	Bent blade	Stop engine immediately. Replace damaged blade. Only use original equipment blades.
Mower will not discharge grass or leaves uncut strips	Engine speed low Transmission selection Blades short or dull	Throttle must be set between 3/4 and full throttle. Use lower transmission speed. The slower your ground speed, the better the quality of cut. Sharpen or replace blades (uncut strip problem only).

HYDROSTATIC TRANSMISSION TROUBLE SHOOTING

No output torque (power) in either direction, cold start.	<ol style="list-style-type: none"> 1. Recheck relief valve position, control linkage, input drive. 2. Oil level in reservoir low. 3. Broken control shaft dowel pin. Transmission must be repaired or replaced.
Loss of output torque, continuous load.	<ol style="list-style-type: none"> 1. Operating at conditions approaching hydraulic stall. The transmission fluid has exceeded 180° F. 2. Internal leakage due to wear. Transmission should be repaired or replaced. 3. Water in transmission fluid. Purge system of all fluid and replace with new transmission fluid. Replacement of the transmission is generally not necessary.
No output torque in one direction.	<ol style="list-style-type: none"> 1. One of the directional valves is stuck. Transmission should be repaired or replaced. 2. Low oil level.
Lawn tractor cannot be pushed with engine off.	<ol style="list-style-type: none"> 1. Relief valve control not set. 2. Relief valve travel not adjusted. 3. Motor piston or rotor seized. Transmission must be repaired or replaced.
No neutral.	<p>Recheck linkage. Loose linkage creates an adjustment problem.</p> <p>Note: The hydraulic neutral band is very narrow. Deflection in the linkage may make it difficult to obtain neutral from both directions. It is recommended that neutral should be positive from forward drive.</p>
Oil leakage at the control shaft seal.	<ol style="list-style-type: none"> 1. Spillage when fluid has been added to the reservoir. 2. Spillage at the vent in the reservoir at operating temperatures due to cold level being too high or water in the fluid. Reduce fluid level or replace fluid in the event there is water in it (milky color). 3. Loose oil reservoir or cover. 4. Loose vent bolt. 5. Damaged control shaft seal. Transmission should be repaired.
Noisy operation.	<ol style="list-style-type: none"> 1. Operating at part throttle. Hydrostatic transmission is designed to operate with the engine running at full throttle. 2. Water in transmission fluid. Replace transmission fluid. 3. Air in transmission fluid. Bleed air from vent.
Output shaft rotates in the opposite direction.	The transmission body is 180° out of position. Transmission has to be removed and reassembled correctly.

LGT-165

Model 826H



PARTS LIST FOR ELECTRICAL SYSTEM

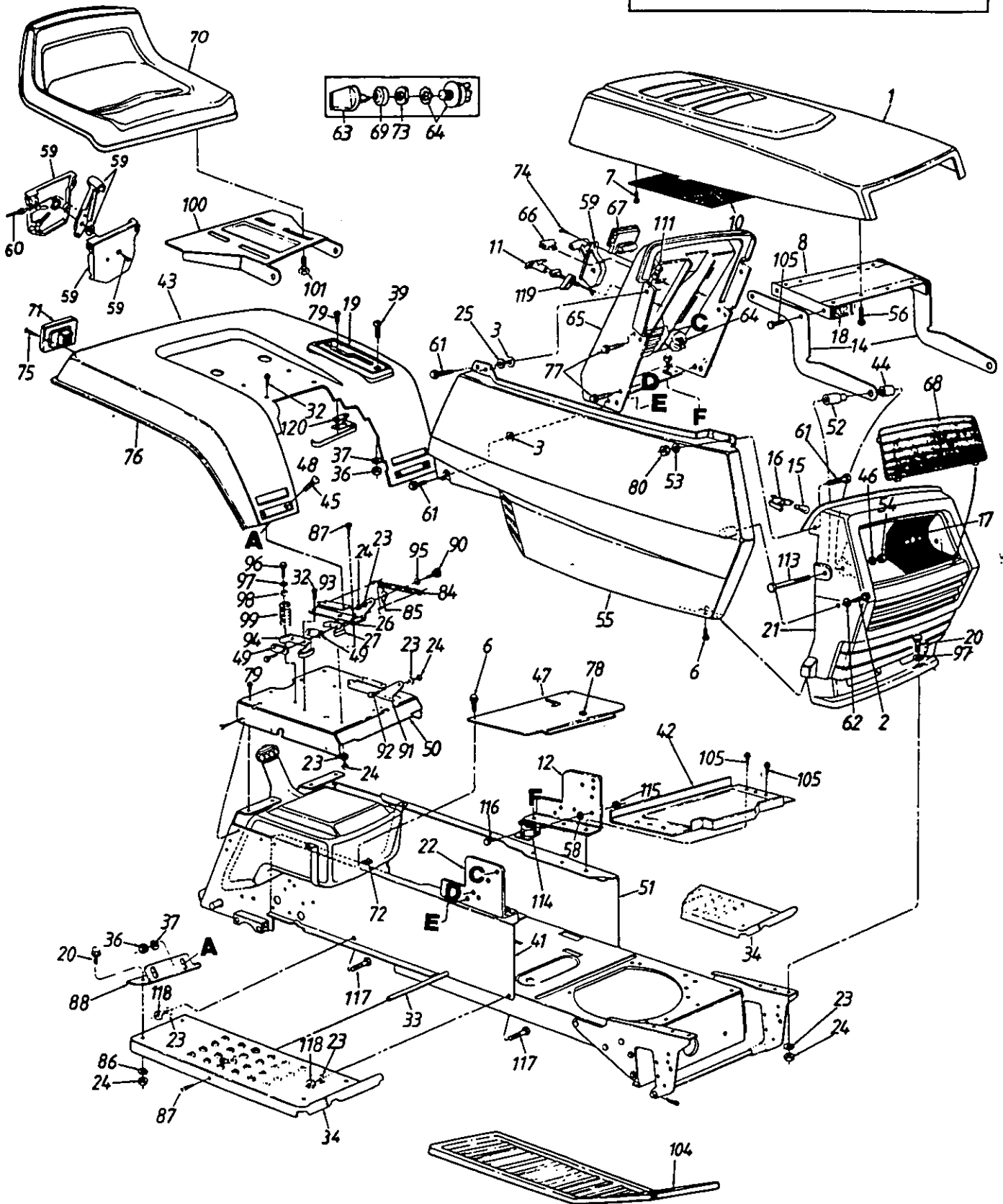
REF. NO.	PART NO.	CODE	DESCRIPTION	REF. NO.	PART NO.	CODE	DESCRIPTION
1	725-1430		Battery (275 Cold Crank Amps)	12	725-0963		Lamp
2	725-1426		Solenoid	13	725-1058A		Socket
3	725-1625		Fuse 7.5 Amps	14	725-1380		Taillight Harness
4	725-0925		Ammeter	15	725-3018		Taillight Ass'y.
5	725-0267		Ignition Switch	16	725-3020		Taillight Bulb
6	725-0634		Light Switch	17	629-0035	N	Wire Harness
7	725-3169A	N	Safety Switch (Clutch)	18	725-0759		Spring Switch
8	725-0465A		Safety Switch (PTO)	19	725-1303		Spring Switch
9	725-0561		Electric Wire 14" Lg.	20	725-1399		Transmission Ext. Wire
11	725-0996		Ground Wire 7.5" Lg.	21	725-1439		Seat Safety Switch

LGT-165

Model 826H



Specifications subject to change without notice or obligation.



LGT-165

Model 826H

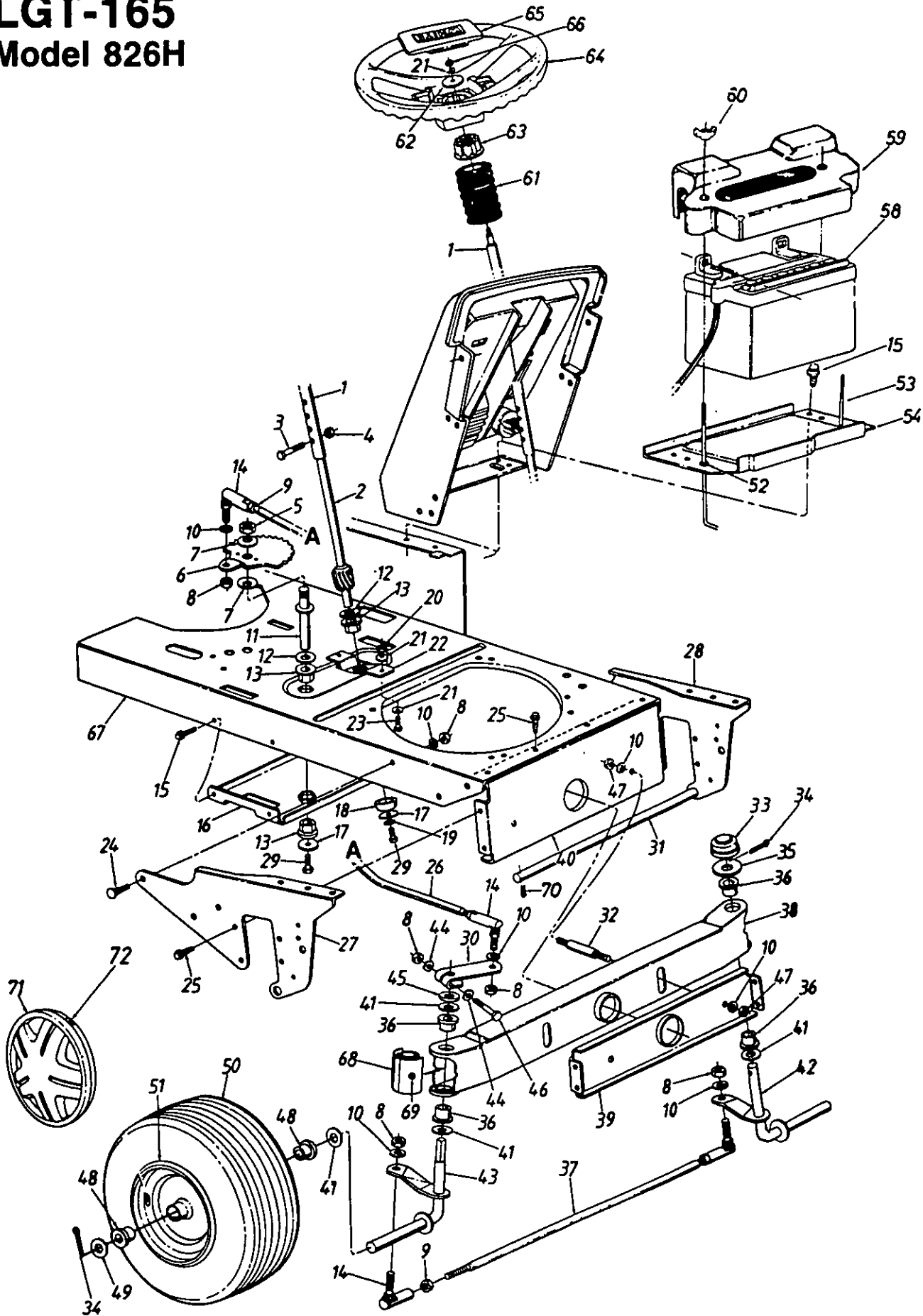
PARTS LIST FOR MODEL LGT-165 (825H) LAWN TRACTOR

REF. NO.	PART NO.	CODE	DESCRIPTION	REF. NO.	PART NO.	CODE	DESCRIPTION
1	731-1036	629	Hood	61	710-0258		Hex Bolt 1/4-20 x .62" Lg.*
2	710-0896		Hex Wash. B-Tap Scr. 1/4 x .62" Lg.	62	736-0173		Fl-Wash. .281" I.D. x .73" O.D.
3	726-0233		Bolt Retainer 1/4" I.D.	63	725-1341B		Ignition Key
6	710-0351		Truss Mach. B-Tap Scr. #10 x .5" Lg.	64	725-0267		Ignition Switch
7	710-0200		Hex Wash Hd. AB-Tap Scr. #8 x .5" Lg.	65	731-0957		Dash Panel
8	16903		Hood Plate	66	725-0634		Light Switch
10	723-0416		Screen	67	725-0925		Ammeter
11	746-0614A		Choke Control	68	731-1038		Lens
12	17294		Dash Support Brkt.—L.H.	69	725-1347		Ignition Switch Cap
14	16902		Hood Hinge	70	757-0351		Seat Ass'y.
15	725-0963		Lamp	71	725-3018		Taillight Ass'y.
16	725-1058A		Twist Lock—Lamp Socket	72	726-0139		Speed Nut #10Z
17	777-8516		Reflector—Headlight	73	725-1346		Ignition Switch Nut
18	722-0199		Foam Seal	74	710-0779A		Truss Mach. AB-Tap Scr. #10 x .5" Lg.
19	731-1053A		Speed Control Index Brkt.	75	710-0936		Truss Hd. AB-Tap Scr. #6 x .62" Lg.
20	710-0376		Hex Bolt 5/16-18 x 1.0" Lg.*	76	731-0511-81		Trim Strip—81"
21	731-1037	629	Grille	77	710-0642		Hex Wash. Hd. Tap Scr. 1/4 x .75" Lg.
22	17293		Dash Support Bracket—R.H.	78	731-0405		Snap Bushing
23	736-0119		L-Wash. 5/16" I.D.*	79	710-0227		Hex Wash. Hd. AB-Tap Scr. #8 x .50" Lg.
24	712-0267		Hex Nut 5/16-18 Thd.*	80	712-0291		Hex L-Nut 1/4-20 Thd.
25	736-0176		Fl-Wash. 1/4" I.D. x .93" O.D.	84	732-0581		Ext. Spring 5.31" Lg.
26	726-0278		Insulator Boss Plate	85	17239A		Seat Lift Brkt.
27	725-1439		Seat Spring Switch	86	736-0242		Bell-Wash. .345" I.D. x .88" O.D.
32	710-0726		Hex Wash. Hd. AB-Tap Scr. 5/16 x .75" Lg.	87	710-0323		Truss Machine Scr. 5/16-18 x .75" Lg.
33	738-0435		Running Board Rod	88	17406		Fender Bracket—R.H.
34	16922		Running Board—R.H.		17407		Fender Bracket—L.H.
	16921		Running Board—L.H.	90	738-0296		Shld. Bolt .437" Dia. x .268"
36	712-0287		Hex Nut 1/4-20 Thd.*	91	17701		Seat Pivot Brkt. Support—L.H.
37	736-0329		L-Wash. 1/4" I.D.*	92	738-0155		Shld. Bolt .437" Dia. x .162"
39	710-0166		Truss Mach. Scr. 1/4-20 x 1.0" Lg.	93	17702		Seat Pivot Brkt. Support—R.H.
41	17360		R.H. Side Frame	94	725-1303		Spring Switch
42	17635		Battery Plate	95	736-0141		Spr.-Wash. .445" I.D.
43	17330	629	Rear Fender	96	710-0601		Hex Wash. Hd. Tap Scr. 5/16-18 x .75" Lg.
44	750-0755		Spacer .33" I.D. x .625" O.D.	97	736-0159		Fl-Wash. .344" I.D.
45	710-0167		Carriage Bolt 1/4-20 x .50" Lg.*	98	722-0160		Bushing
46	736-0278		Fl-Wash. .328" I.D. x .68" O.D.	99	732-0588		Compression Spring
47	17393		Transmission Panel	100	15607D		Seat Pivot Bracket
48	725-0759		Reverse Safety Switch	101	710-0623		Hex Tap Scr. 3/8-16 x .75"
49	726-0279		Insulator Plate	104	731-1051		Foot Pad
50	16848B	N	Seat Plate	105	710-0599		Hex Tap Scr. 1/4-20 x .5" Lg.
51	17361A	N	L.H. Side Frame	111	712-0185		Speed Nut 1/4-20 Thd.
52	750-0754		Shld. Spacer .33" I.D.	113	710-0176		Hex Bolt 5/16-18 x 2.75"
53	736-0142		Fl-Wash. .281" I.D. x .5" O.D.	114	725-1426		Solenoid
54	712-0158		Hex Cent. L-Nut 5/16-18 Thd.	115	712-0271		Hex Sems Nut 1/4-20 Thd.
55	17448	629	Side Cover—R.H.	116	710-0289		Hex Bolt 1/4-20 x .5" Lg.*
	17447	629	Side Cover—L.H. (Not Shown)	117	710-1012		Rib Neck Bolt 5/16-24 x .75" Lg.
56	710-0896		Hex Wash. Hd. B-Tap Scr. 1/4 x .62" Lg.	118	712-0123		Hex Nut 5/16-24 Thd.
58	736-0222		Ext. L-Wash. 1/4" I.D.	119	17782		Retainer Clip
59	831-0823A		Throttle Control Box Ass'y.	120	726-0200		Insulator Nut Plate
60	746-0634		Throttle Control Wire 35" Lg.				

*For faster service obtain standard nuts, bolts and washers locally.
If these items cannot be obtained locally, order by part number and
size as shown on parts list.

LGT-165

Model 826H



LGT-165

Model 826H

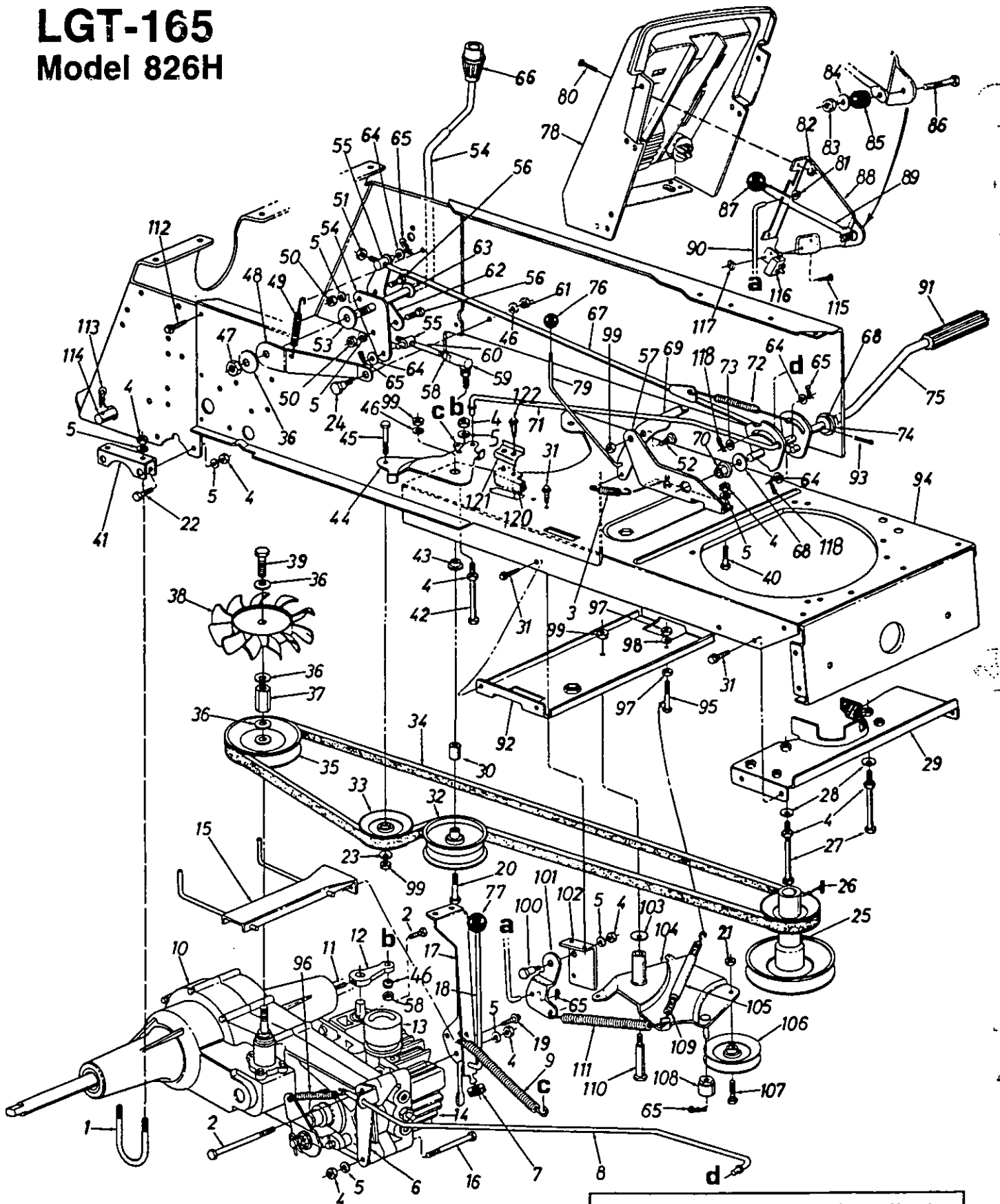
PARTS LIST FOR MODEL LGT-165 (826H) LAWN TRACTOR

REF. NO.	PART NO.	CODE	DESCRIPTION	REF. NO.	PART NO.	CODE	DESCRIPTION
1	16512		Steering Column Ass'y.	34	714-0121		Cotter Pin 5/32" Dia.
2	738-0763		Lower Steering Shaft	35	736-0316		Flat Washer
3	710-0958		Hex Bolt 1/4-20 x 1.31" Lg.	36	741-0523		Flange Brg. .757" I.D.
4	712-0324		Hex L-Nut 1/4-20 Thd.	37	747-0721		Tie Rod 20.25" Lg.
5	712-0337		Hex Nut 5/8-18 Thd.*	38	16843		Pivot Bar Assy.
6	717-0943A		Steering Gear Segment	39	16889		Pivot Bar Support Brkt.—Front
7	736-0317		Bell-Wash. 5/8" I.D. x 1.25" O.D.	40	16890		Pivot Bar Support Brkt.—Rear
8	712-0241		Hex Nut 3/8-24 Thd.	41	736-0188		Fl-Wash. .76" I.D. x 1.49" O.D.
9	712-0711		Hex Jam Nut 3/8-24 Thd.	42	738-0781		Front Axle Ass'y.—L.H.
10	736-0169		L-Wash. 3/8" I.D.*	43	738-0782		Front Axle Ass'y.—R.H.
11	738-0768		Steering Gear Segment Shaft	44	736-0286		Bowed Washer
12	736-0187		Fl-Wash. .64" I.D. x 1.24" O.D.	45	748-0160		Spacer .755" I.D. x 1.25" O.D.
13	748-0227		Hex Flange Brg. .63" I.D.	46	710-0331		Hex Bolt 3/8-24 x 2.25" Lg.
14	723-3018		Ball Joint Ass'y.	47	712-0798		Hex Nut 3/8-16 Thd.*
15	710-0599		Hex Wash. Hd. TT-Tap Scr. 1/4-20 x .5" Lg.	48	748-3007A		Bronze Flange Brg. .75" I.D.
16	16888		Deck Idler Support Brkt.	49	736-0316		Fl-Wash. .71" I.D. x 1.5" O.D.
17	736-0343		Fl-Wash. .33" I.D. x 1.25" O.D.	50	734-1676		Wheel Ass'y. Comp.
18	750-0532		Spacer .985" I.D. x 1.25" O.D.	51	734-0961B	N	Tire Only
19	736-0119		L-Wash. 5/16" I.D.*	52	726-0271		Rim Only
20	712-0123		Hex Nut 5/16-24 Thd.*	53	711-0222		Push Nut
21	736-0242		Bell-Wash. .345" I.D. x .88" O.D.	54	17635		Battery Hold Down Rod
22	16894		Bearing Retainer Brkt.	58	725-1430		Battery Plate
23	710-0157		Hex Bolt 5/16-24 x .75" Lg.	59	731-1132		Battery (275 Cold Crank Amps)
24	710-0793		Ribbed Neck Bolt 3/8-24 x .8" Lg.	60	712-0113		Battery Cover
25	710-0604		Hex Wash. TT-Tap Scr. 5/16-18 x .62" Lg.	61	731-0954		Wing Nut Plastic 1/4-20 Thd.
26	747-0579		Steering Drag Link	62	736-0418		Steering Bellow
27	16896		Pivot Bar Side Plate—R.H.	63	717-0935		Flat Washer
28	16897		Pivot Bar Side Plate—L.H.	64	731-0971		Steering Wheel Adapter
29	710-0538		Hex Bolt 5/16-18 x .62" Lg.	65	731-1039		Steering Wheel
30	16918		Steering Arm	66	712-0237		Steering Wheel Cap
31	738-0777		Deck Connecting Rod	67	17359A		Hex L-Nut 5/16-24 Thd.
32	738-0775		Pivot Bar Shld. Bolt 3/8-16 x 5/8" Lg.	68	731-1049		Lower Frame
33	731-0484		Cap	69	737-0146		Pivot Bar End Cap
				70	714-0149B		Grease Fitting
				71	734-1503		Internal Cotter Pin
				72	727-0425A	N	Hub Cap
							Spring Clip

*For faster service obtain standard nuts, bolts and washers locally.
If these items cannot be obtained locally, order by part number and size as shown on parts list.

LGT-165

Model 826H



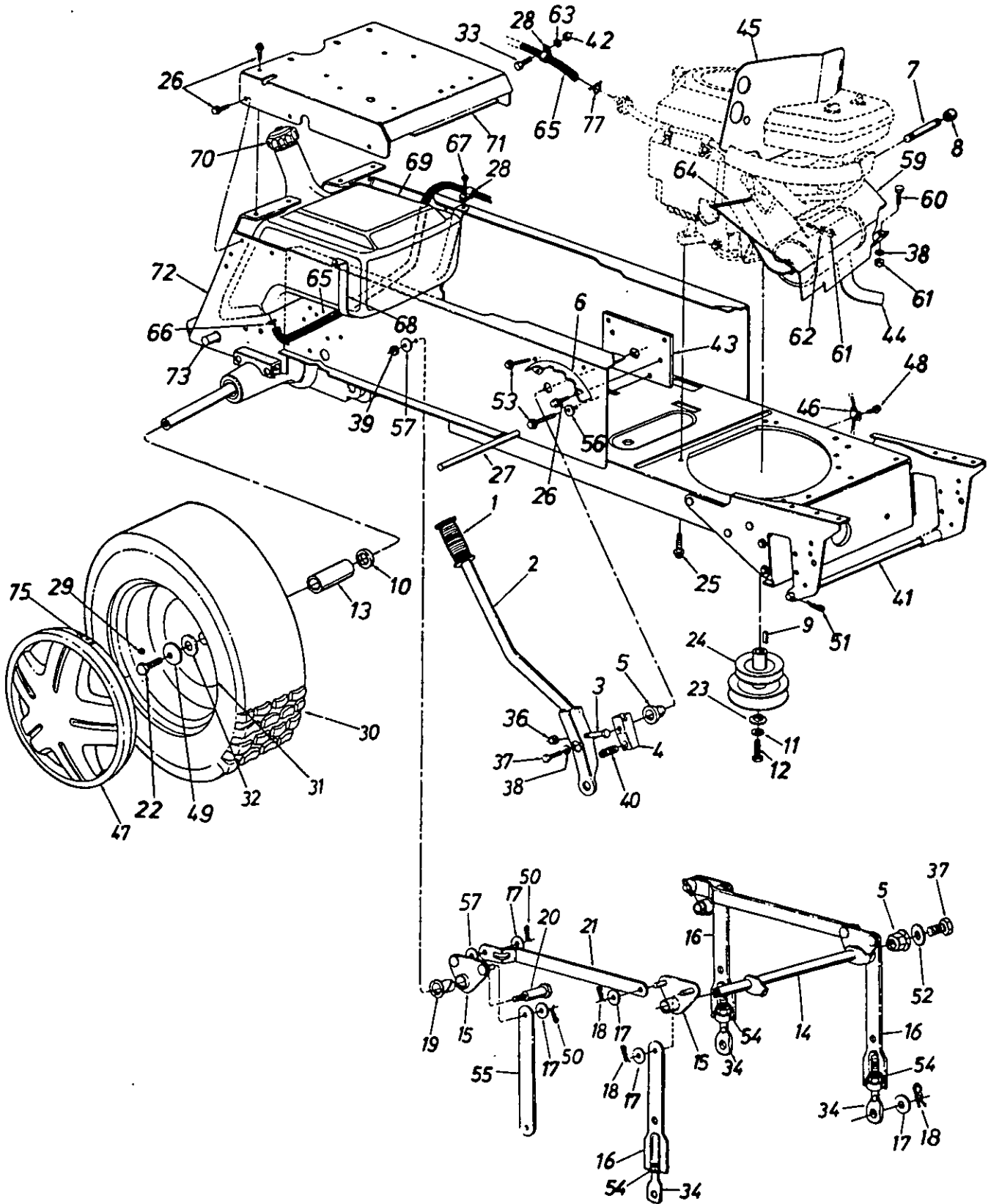
IMPORTANT: Use only Original Equipment Manufacturer (O.E.M.) V-belts when replacing belts. They are of special construction (type of cord, cord location, length, etc.). Use of V-belts other than O.E.M. belts generally will provide only temporary service. For best results, use only factory approved parts.

PARTS LIST FOR MODEL LGT-165 (826H) LAWN TRACTOR

REF. NO.	PART NO.	CODE	DESCRIPTION	REF. NO.	PART NO.	CODE	DESCRIPTION
1	711-0827		U-Bolt 5/16-18 x 3.25" Lg.	61	712-0798		Hex Nut 3/8-16 Thd.*
2	710-3196		Hex Patch Bolt 5/16-18 x 4.5" Lg. (Gr. 5)	62	16940		Speed Selector Handle Brkt.
3	732-0445		Ext. Spring .5" O.D. x 1.55"	63	736-0257		FI-Wash. .531" I.D. x 1.25" O.D.
4	712-0267		Hex Nut 5/16-18 Thd.*	64	736-0140		FI-Wash. .385" I.D. x .62" O.D.
5	736-0119		L-Wash. 5/16" I.D.*	65	714-0104		Internal Cotter Pin
6	17355		Brake Rod Guide Brkt.	66	720-0218		Shift Knob
7	735-0126		Rubber Wash. .33" I.D. x .87"	67	17416		Neutral Return Rod
8	747-0731		Brake Rod	68	736-0187		FI-Wash. .64" I.D. x 1.24" O.D.
9	732-0384		Ext. Spring .62" O.D. x 6.12" Lg.	69	17351		Parking Brake Lock Brkt.
10	717-0950		Transaxle	70	741-0225		Hex Flange Brg. .634" Dia.
11	710-0985		Set Screw 5/16-24 x .38" Lg.	71	747-0728		Clutch Idler Rod
12	748-0328		Pintle Shift Lever	72	732-0608		Extension Spring 8" Lg.
13	717-3049		Reservoir	73	736-0264		FI-Wash. .344" I.D. x .62" O.D.
14	717-0940		Hydrostatic Pump	74	748-0209		Flange Bearing w/Flats
15	16929		Belt Guard Ass'y.	75	17350		Foot Pedal Ass'y.
16	710-3195		Hex Bolt 5/16-18 x 4.5" Lg. Gr. 5	76	720-0166		Ball Knob Brake
17	16807		Transaxle Torque Bracket	77	720-0187		Ball Knob 1/4-20 Thd.
18	747-0570		Transaxle Control Rod	78	731-0957		Dash Panel Ass'y.
19	710-0603		Hex Wash. Hd. B-Tap Scr. 5/16-18	79	747-0722		Parking Brake Link
20	710-3066		Hex Bolt 3/8-16 x 2.75" Lg.	80	710-0286		Truss Mach. Scr. 1/4-20 x .5" Lg.
21	712-0214		Hex Cent. Lock Nut 3/8-16 Thd.	81	726-0106		Push Nut 1/4" O.D. Rod
22	710-3008		Hex Bolt 5/16-18 x .75" Lg. Gr. 5	82	712-0271		Hex Sems Nut 1/4-20 Thd.
23	736-0300		FI-Wash. .385" I.D. x .87" O.D.	83	712-0324		Hex L-Nut 1/4-20 Thd.
24	738-0183		Shld. Bolt .5" Dia. x .212"	84	736-0173		FI-Wash. .281" I.D. x .73" O.D.
25	756-0540		Engine Pulley	85	736-0126		Rubber Wash. .33" I.D. x .87"
26	714-0118		Sq. Key 1/4 x 1.5" Lg.	86	710-0106		Hex Bolt 1/4-20 x 1.25" Lg.*
27	710-0833		Hex Bolt 5/16-18 x 5.25" Lg.	87	720-0165		Knob—Blade Clutch
28	736-0242		Bell-Wash. .345" I.D. x .88" O.D.	88	13950A		Deck Clutch Cont. Brkt.
29	17357		Belt Keeper Brkt. Ass'y.	89	747-0513		Blade Clutch Lever
30	711-0396		Spacer .375" I.D. x .75" Lg.	90	747-0708		Deck Control Rod
31	710-0599		Hex Wash. Hd. TT-Tap Scr. 1/4-20 x .5" Lg.	91	735-0196		Foot Pad
32	756-0515		FI-Idler Pulley 3.25" Dia.	92	16888		Deck Idler Support Brkt.
33	756-0116		V-Belt Idler	93	714-0115		Cotter Pin 1/8" Dia.
34	754-0365		V-Belt	94	17359A		Lower Frame
35	756-0539		Transmission Pulley 4.25" O.D.	95	710-0501		Hex Bolt 1/4-20 x 2" Lg.
36	736-0112		Bell-Wash. .56" I.D. x 1.5"	96	732-0607		Ext. Spring 3.675" Lg.
37	712-0356		Fan Adapter Nut 9/16-18 Thd.	97	712-0287		Hex Nut 1/4-20 Thd.*
38	731-0974		Fan	98	736-0329		L-Wash. 1/4" I.D.*
39	710-1043		Hex Bolt 9/16-18 x .5" Lg.	99	712-0375		Hex Cent. L-Nut 3/8-16 Thd.
40	710-0118		Hex Bolt 5/16-18 x .75" Lg.*	100	738-0155		Shld. Bolt .437" Dia. x .162"
41	16925		Transaxle Mtg. Bracket	101	13887		Deck Control Pivot Brkt.
42	710-0176		Hex Bolt 5/16-18 x 2.75" Lg.*	102	13833		Parking Brake Mtg. Brkt.
43	738-0347		Shld. Spacer .625" I.D.	103	736-0105		Bell-Wash. .380" I.D. x .88" O.D.
44	16926A	N	Clutch Idler Bracket	104	14076A		Idler Brkt. Deck Ass'y.
45	710-0344		Hex Bolt 3/8-16 x 1.5" Lg.	105	731-0483		Convuluted Conduit 4" Lg.
46	736-0169		L-Wash. 3/8" I.D.*	106	756-0293A		V-Belt Idler
47	712-0922		Hex Jam Nut 1/2-20 Thd.	107	710-0459		Hex Bolt 3/8-24 x 1.5" Lg.
48	16931		Speed Control Rod Torque Brkt.	108	748-0278		Spacer
49	732-0609		Ext. Spring 2.5" Lg.	109	732-0308		Ext. Spring 6.37" Lg.
50	712-0123		Hex Nut 5/16-24 Thd.	110	738-0129		Shld. Bolt .498" Dia. x 2.05"
51	712-0711		Hex Jam Nut 3/8-24 Thd.	111	732-0478		Ext. Spring 6.12" Lg.
52	738-0147		Shld. Bolt .50" Dia. x .170"	112	710-0726		Hex Wash. AB-Tap Scr. 5/16 x .75" Lg.
53	736-0428		Fiber Washer .54" I.D. x 1.75"	113	714-0147		Hitch Pin Clip
54	16930		Speed Control Handle Ass'y.	114	738-0482		Hitch Rod
55	711-0198		Ferrule 3/8-24 Thd.	115	710-0473		Truss Mach. Scr. #10-24 x .5"
56	710-0237		Hex Bolt 5/16-24 x .62" Lg.	116	725-0465A		Safety Switch
57	17348		Foot Pedal Mtg. Brkt.	117	712-0121		Hex Nut #10-24 Thd.
58	712-0241		Hex Nut 3/8-24 Thd.	118	714-0111		Cotter Pin 3/32" Dia. x 1.0" Lg.
59	723-0351		Ball Joint Ass'y.	120	725-3169A	N	Safety Switch
60	747-0508		Control Rod 3/8-24 x 3.75" Lg.	121	17962	N	Switch Plate
				122	710-1214	N	Torx Mach. B-Tap Scr.

LGT-165

Model 826H



LGT-165

Model 826H

PARTS LIST FOR MODEL LGT-165 (826H) LAWN TRACTOR

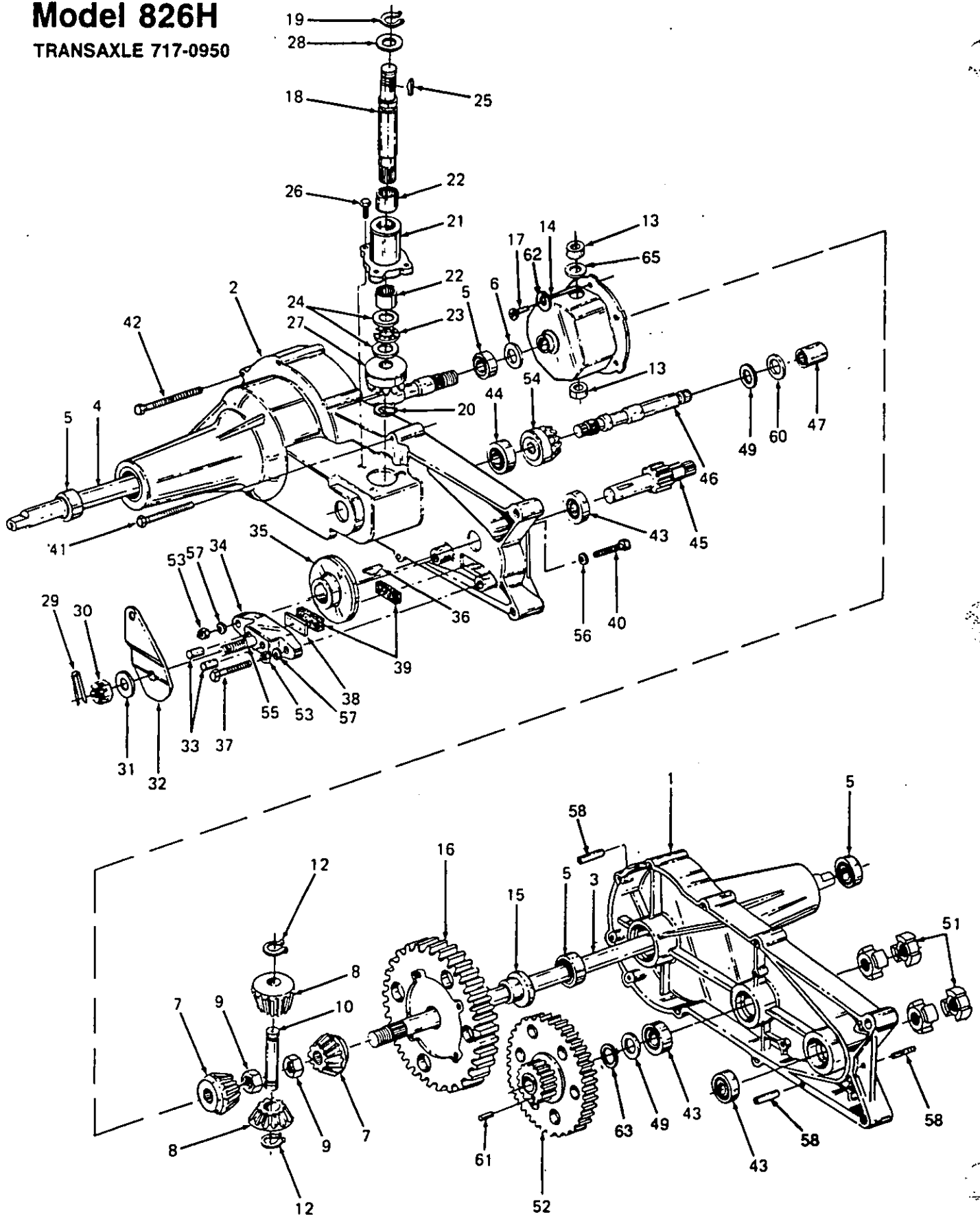
REF. NO.	PART NO.	CODE	DESCRIPTION	REF. NO.	PART NO.	CODE	DESCRIPTION
1	720-0233		Grip	37	710-0237		Hex Bolt 5/16-24 x .62" Lg.*
2	17282		Lift Handle Ass'y.	38	736-0119		L-Wash. 5/16" I.D.*
3	710-0442		Hex Bolt 5/16-18 x 1.5" Lg.*	39	712-0181		Hex Top L-Nut 3/8-16 Thd.
4	748-0274A		Lift Shaft Drive	40	732-0369		Compression Spring
5	741-0225		Plastic Hex Brg. 5/8" I.D.	41	738-0777		Deck Connecting Rod
6	14231		Index Brkt. Deck Lift	42	712-0287		Hex Nut 1/4-20 Thd.*
7	737-0164		Pipe Nipple 3/8-18 Npt.	43	14170		Index Brkt. Reinforcement Plate
8	737-0143		Pipe Cap 3/8-18 Npt.	44	751-0474		Muffler
9	714-0118		Sq. Key 1/4" x 1/4" x 1.50" Lg.	45	17452		Heat Shield
10	736-0188		Fl-Wash. .76" I.D. x 1.49" O.D.	46	726-0273		Mounting Clamp
11	736-0171		L-Wash. 7/16" I.D.	47	734-1504		Hubcap
12	710-0757		Hex Scr. 7/16-20 x 1.50" Lg.	48	710-0599		Hex Wash. Hd. TT-Tap Scr. 1/4-20 x .5" Lg.
13	731-1086		Sleeve .75" I.D. x 1.0" O.D.	49	736-0242		Bell-Wash. .39" I.D.
14	13889		Lift Shaft Ass'y.	50	714-0111		Cotter Pin .09 Dia. x 1.0" Lg.
15	13895		Lift Pivot Brkt. Ass'y.	51	714-0149B		Int. Cotter Pin
16	17303		Adj. Deck Lift Link	52	736-0231		Flat Wash. .34" I.D. x 1.12" O.D. x .125"
17	736-0192		Fl-Wash. 1/2" I.D. x 1.00" O.D. x .090"	53	710-0600		Hex Wash. Hd. AB-Tap Scr. 5/16-24 x .5" Lg.
18	714-0101		Hairpin Cotter	54	712-0206		Hex Nut 1/2-13 Thd.
19	741-0295		Nyliner 5/8" I.D. x .88" Lg.	55	14399		Deck Link
20	738-0445		Shld. Bolt 5/8" Dia. x .96" Lg. 3/8-16	56	736-0264		Fl-Wash. .344" I.D.
21	13790		Connecting Link	57	736-0219		Bell-Wash. .4" I.D. x 1.13" O.D.
22	710-0627		Hex Bolt 5/16-24 x .75" Lg.	59	16934		Front Heat Shield
23	736-0322		Flat Wash. .44" I.D. x 1.25" O.D. x .17"	60	710-0118		Hex Bolt 5/16-18 x .75" Lg.*
24	756-0540		Two-Step Engine Pulley 5.56" & 3.5"	61	712-0267		Hex Nut 5/16-18 Thd.*
25	710-0502A		Hex Wash. Hd. Scr. 3/8-16 x 1.25" Lg.	62	736-0170		L-Wash. 5/16" I.D. (Special)
26	710-0726		Hex Thd. Rolling Scr. 5/16-18 x .75" Lg.	63	736-0329		L-Wash. 1/4" I.D.*
27	738-0435		Running Board Rod	64	731-0511-12		Trim Strip 12" Lg.
28	726-0272		Clamp	65	751-0535-50		Fuel Line 50" Lg.
29	734-0255		Air Valve	66	726-0206		Hose Clamp
30	734-1679	N	Rear Wheel Ass'y. Comp.**	67	710-0776		Hex AB-Tap Scr. 1/4 x .62" Lg.
	734-1680	N	Tire Only**	68	17424		Fuel Tank Strap
31	734-0603A		Rear Wheel Rim Only	69	751-0528B	N	Gas Tank
32	736-0346		Flat Washer .34" I.D.	70	751-0531B	N	Gas Gauge
33	710-0258		Hex Bolt 1/4-20 x .62" Lg.	71	16848B	N	Seat Plate
34	711-0817		Eye Bolt Adj. Link 1/2-13 Thd.	72	17343		Hitch Plate
36	712-0158		Hex Cent. L-Nut 5/16-18 Thd.	73	738-0482		Hitch Rod
				75	727-0425A	N	Spring Clip
				77	726-0272		Hose Clamp

*For faster service obtain standard nuts, bolts and washers locally. If these items cannot be obtained locally, order by part number and size as shown on parts list.

**NOTE: If brand of tire is important, order by part number and description (description is printed on the sidewall of tire) [i.e. Armstrong Super Turf, Goodyear Softrac, Carlisle Turf Saver, etc.].

LGT-165 Model 826H

TRANSAXLE 717-0950



LGT-165

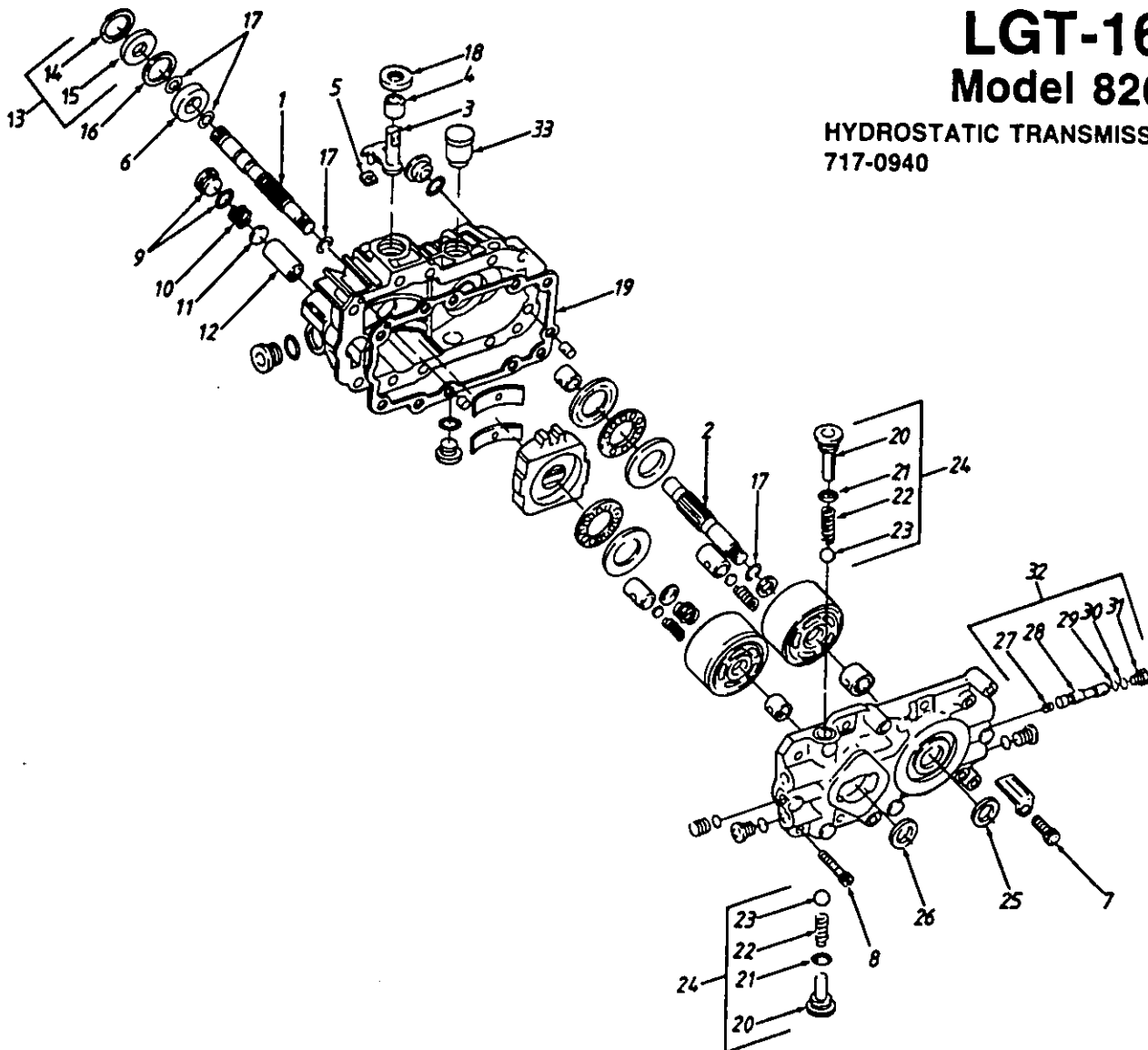
Model 826H

PARTS LIST FOR TRANSAXLE 717-0950

REF. NO.	PART NO.	DESCRIPTION	QTY.	REF. NO.	PART NO.	DESCRIPTION	QTY.
1	AF-44077	Housing Half, L.H.	1	31	736-0371	Washer, Flat, .343" x .88" x .062" Thk.	1
2	AF-44076	Housing Half, R.H.	1				
3	AF-44393	Axle, L.H.	1	32	AF-44094	Arm, Brake Actuator	1
4	AF-44392	Axle, R.H.	1	33	741-0343	Pin, Actuating, 5/16" Dia.	2
5	AF-44121	Bearing, Ball	4	34	717-0679	Yoke, Brake	1
6	AF-44008	Washer, Flat, .76" x 1-1/8" x .306" Thk. Hdn.	1	35	717-0677	Disc, Brake	1
7	717-1019	Gear, Miter	2	36	714-0161	Key, Hi-Pro, 3/16" x 5/8" Dia.	1
8	717-1020	Gear, Miter	2	37	AF-44276	Screw, Hex Patch Lock, 1/4-20 x 1.5" Lg.	1
9	712-0200	Nut, Hex Jam Patch Lock, 1/2-20	2	38	717-0682	Plate, Puck	1
10	717-0673	Shaft, Cross	1	39	717-0678	Puck, Brake	2
11	736-0369	Washer, Flat .505" I.D. x 1.0"	1	40	AF-44277	Screw, Hex Cap, 1/4-20 x 1.5" Lg.	1
12	716-0142	Ring, Snap	2	41	AF-44123	Screw, Hex Self-Tap, 1/4-20 x 2.0" Lg.	2
13	717-0690	Bearing, Thrust	2	42	AF-44124	Screw, Hex Self-Tap, 1/4-20 x 2.75" Lg.	6
14	717-0777	Housing Ass'y. Differential	1	43	741-0155	Bearing, Ball	3
15	741-0376	Bearing, Flange, .75" I.D. x .587"	1	44	741-0361	Bearing, Ball	1
16	717-0759	Gear, Differential, 72 Tooth	1	45	AF-44083	Shaft, Pinion w/11 Tooth Gear	1
17	710-1017	Torx Hd. AB-Tap Scr. 1/4 x .62" Lg.	1	46	AF-44080	Shaft, Drive	1
18	AF-44270	Shaft, Input	1	47	AF-44342	Bearing, Needle	1
19	716-0115	Ring, Snap	1	49	AF-44110	Washer, Flat, 5/8" x 1.12" x .060" Thk.	1
20	716-0108	Ring, Retaining, Ext. 7/16" Dia.	1				
21	AF-44081	Bearing, Input Housing	1				
22	741-0335	Bearing, Needle, 5/8" I.D. x .50" Lg.	2		AF-44371	Washer, Flat, 5/8" x 1.12" x .050" Thk.	AR
23	AF-44139	Bearing, Thrust	1	51	AF-44084	Coupling	4
24	AF-44109	Washer, Flat, 5/8" I.D. x 1.12" O.D. x .030" Thk.	2	52	AF-44082	Gear, Tooth 60 & 17	1
25	714-0129	Key #4 Hi-Pro, 3/32" x 5/8" Dia. (Hdn.)	1	53	712-0298	Nut, Hex Jam, 1/4-20 Thd.	1
26	AF-44122	Screw, Hex Patch Lock, 1/4-20 x 3/4" Lg.	3	54	AF-44079	Gear, Drive Pinion, 17 Tooth	1
27	AF-44078	Gear, Input Pinion, 17 Tooth	1	55	717-0796	Bolt, Square Hd. 5/16-24 Thd.	1
28	736-0336	Washer, Flat, .62" I.D. x 1.0" O.D. x .030" Thk.	2	56	736-0176	Washer, Flat, .265" x .938" x .12" Thk.	1
	736-0349	Washer, Flat, .62" I.D. x 1.0" O.D. x .020" Thk.	AR	57	736-0329	Washer, Lock, 1/4" I.D.	1
	736-0337	Washer, Flat, .62" I.D. x 1.0" O.D. x .040" Thk.	AR	58	AF-44269	Pin, Roll, 3/16 Dia. x .50" Lg.	3
	AF-44371	Washer, Flat, .62" x 1.0" O.D. x .50" Thk.	AR	59	737-3047	Grease, Transmission	16 oz.
29	714-0507	Pin, Cotter	1	60	AF-44343	Bronze Thrust Brg. 5/8" I.D.	1
30	712-0335	Nut, Castle, 5/16-24 Thd.	1	61	AF-44346	Dowel Pin 3/32" x 1/4"	1
				62	AF-44504	Washer, Spring Lock 1/4" I.D.	4
				63	AF-44394	Seal, Grease	1
				65	736-0369	Washer, Flat, .62" I.D. x 1.0" O.D. x .020" Thk.	1
					AF-44421	Washer, Flat, .62" I.D. x 1.0" O.D. x .030" Thk.	AR

LGT-165 Model 826H

HYDROSTATIC TRANSMISSION
717-0940



PARTS LIST FOR HYDROSTATIC TRANSMISSION 717-0940

REF. NO.	PART NO.	DESCRIPTION	QTY.	REF. NO.	PART NO.	DESCRIPTION	QTY.
1	SU-J1020650	Shaft—Pump	1	22	SU-J1041195	Spring	2
2	SU-J1020651	Shaft—Motor	1	23	SU-JHKW03	Ball	2
3	SU-J1030744	Arm, Trunnion	1	24	SU-J1742004	Kit, Check Valve (Includes Ref. No. 20, 21, 22 & 23)	2
4	SU-J1041151	Bearing, Journal	1	25	SU-JSP0652	Seal, Lip	1
5	SU-J1040980	Guide, Slot	1	26	SU-J1040500	Seal, Lip	1
6	SU-JSP0631	Bearing, Ball	1	27	SU-J1041178	Spring	1
7	SU-JAAM0802001	Screw, Socket Head	4	28	SU-J1041152	Spool, Bypass	1
8	SU-JAAM0803501	Screw, Socket Head	4	29	SU-JKP1A003	O-Ring	1
9	SU-90051108700	Plug	1	30	SU-90042012500	O-Ring	1
10	SU-J1041159	Spring, Filter	1	31	SU-J1041153	Plug	1
11	SU-J1041158	Washer, Filter	1	32	SU-1742006	Kit, Bypass Valve (Includes Ref. No. 27, 28, 29, 30 & 31)	1
12	SU-J1041157	Filter	1		SU-J1742008	Kit, Overhaul Seal [Includes Ref. No. 14, 15, 16, 17 (Qty. 4), 18, 19, 21 (Qty. 2), 25, 26, 29 & 30]	1
13	SU-J1742003	Kit, Seal (Incl. 14 & 15)	1				
14	SU-JFBE0351	Ring, Retaining	1				
15	SU-JSP0632	Seal, Lip	1				
16	SU-J1040972	Spacer	1				
17	SU-J1040970	Ring, Retaining	4				
18	SU-JSP0633	Seal, Lip	1				
19	SU-J1020647	Gasket	1				
20	SU-J1041007	Plug	2				
21	SU-90042013700	O-Ring	2	33	SU-J1742009	Reservoir	1

White Shows the Way!



P.O. Box 361131 • Cleveland, Ohio • 44136

White Shows the Way!



Free Manuals Download Website

<http://myh66.com>

<http://usermanuals.us>

<http://www.somanuals.com>

<http://www.4manuals.cc>

<http://www.manual-lib.com>

<http://www.404manual.com>

<http://www.luxmanual.com>

<http://aubethermostatmanual.com>

Golf course search by state

<http://golfingnear.com>

Email search by domain

<http://emailbydomain.com>

Auto manuals search

<http://auto.somanuals.com>

TV manuals search

<http://tv.somanuals.com>