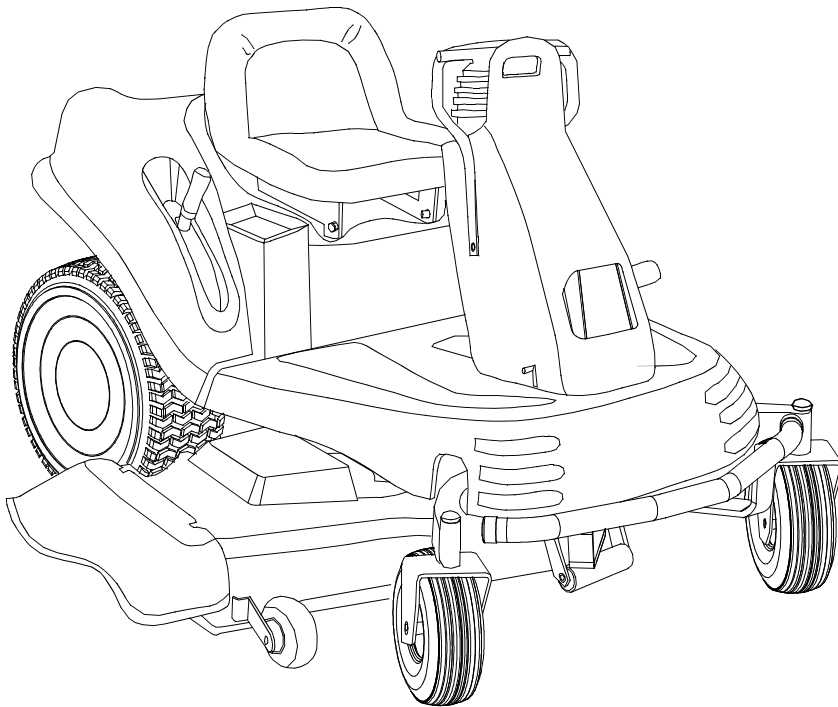




Parts Manual

**Model
Z-165**



IMPORTANT: READ SAFETY RULES AND INSTRUCTIONS CAREFULLY

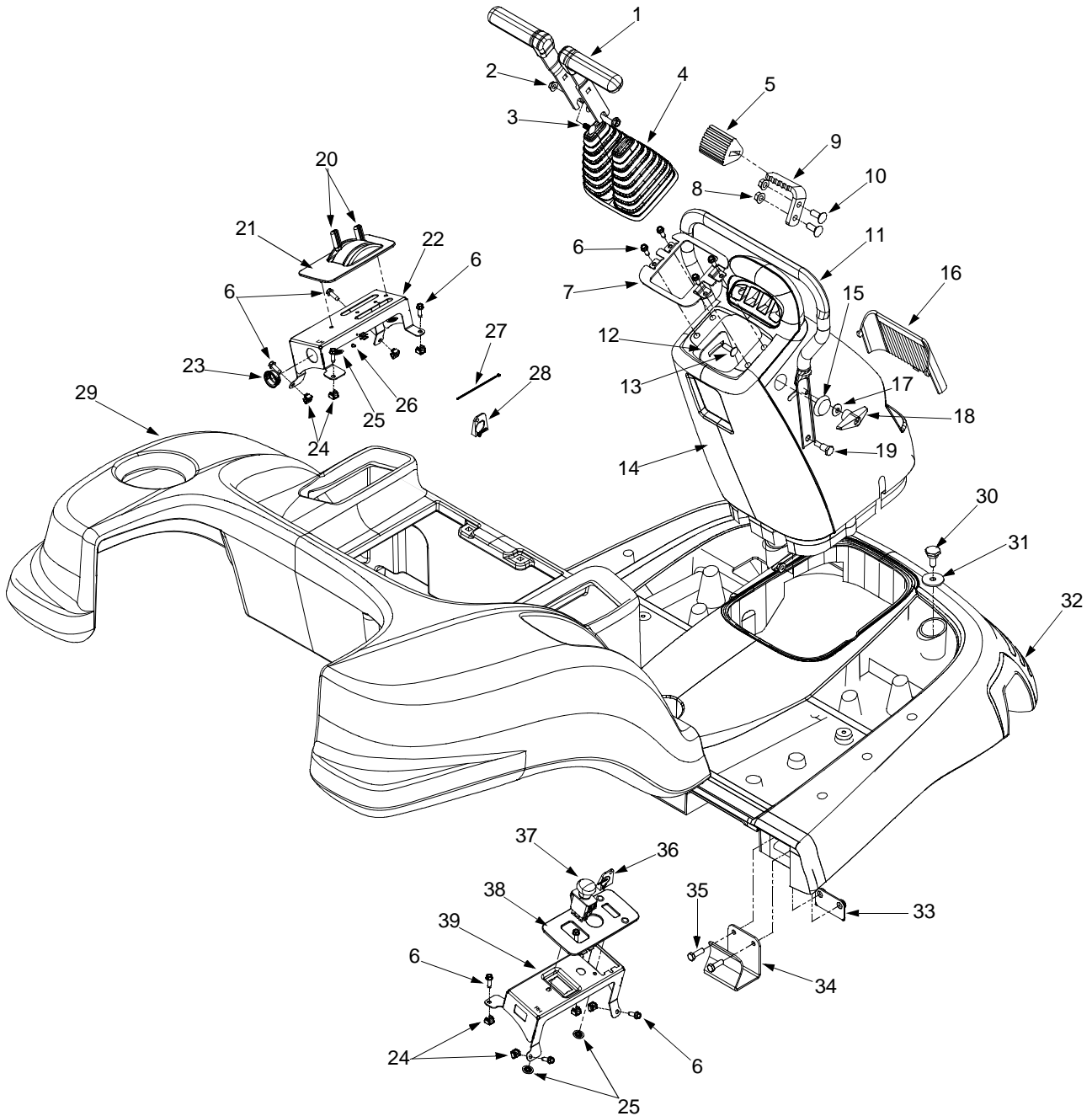
Warning: This unit is equipped with an internal combustion engine and should not be used on or near any unimproved forest-covered, brush-covered or grass-covered land unless the engine's exhaust system is equipped with a spark arrester meeting applicable local or state laws (if any). If a spark arrester is used, it should be maintained in effective working order by the operator. In the State of California the above is required by law (Section 4442 of the California Public Resources Code). Other states may have similar laws. Federal laws apply on federal lands. A spark arrester for the muffler is available through your nearest engine authorized service dealer or contact the service department, P.O. Box 361131 Cleveland, Ohio 44136-9722.

WHITE OUTDOOR PRODUCTS COMPANY P.O. BOX 361131 CLEVELAND, OHIO 44136-9722

PRINTED IN U.S.A.

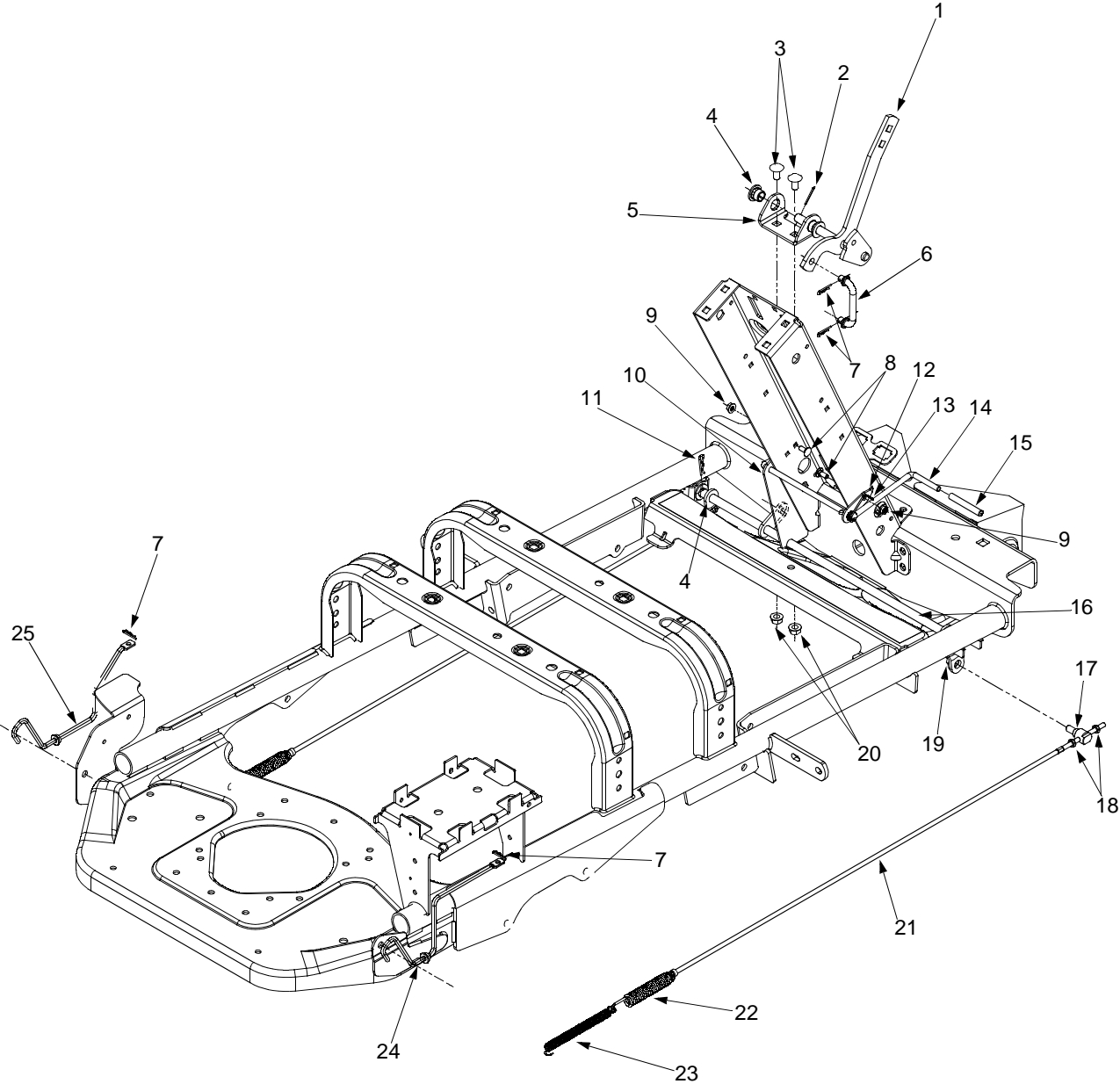
FORM NO. 770-10103A
(5/99)

Model Z-165



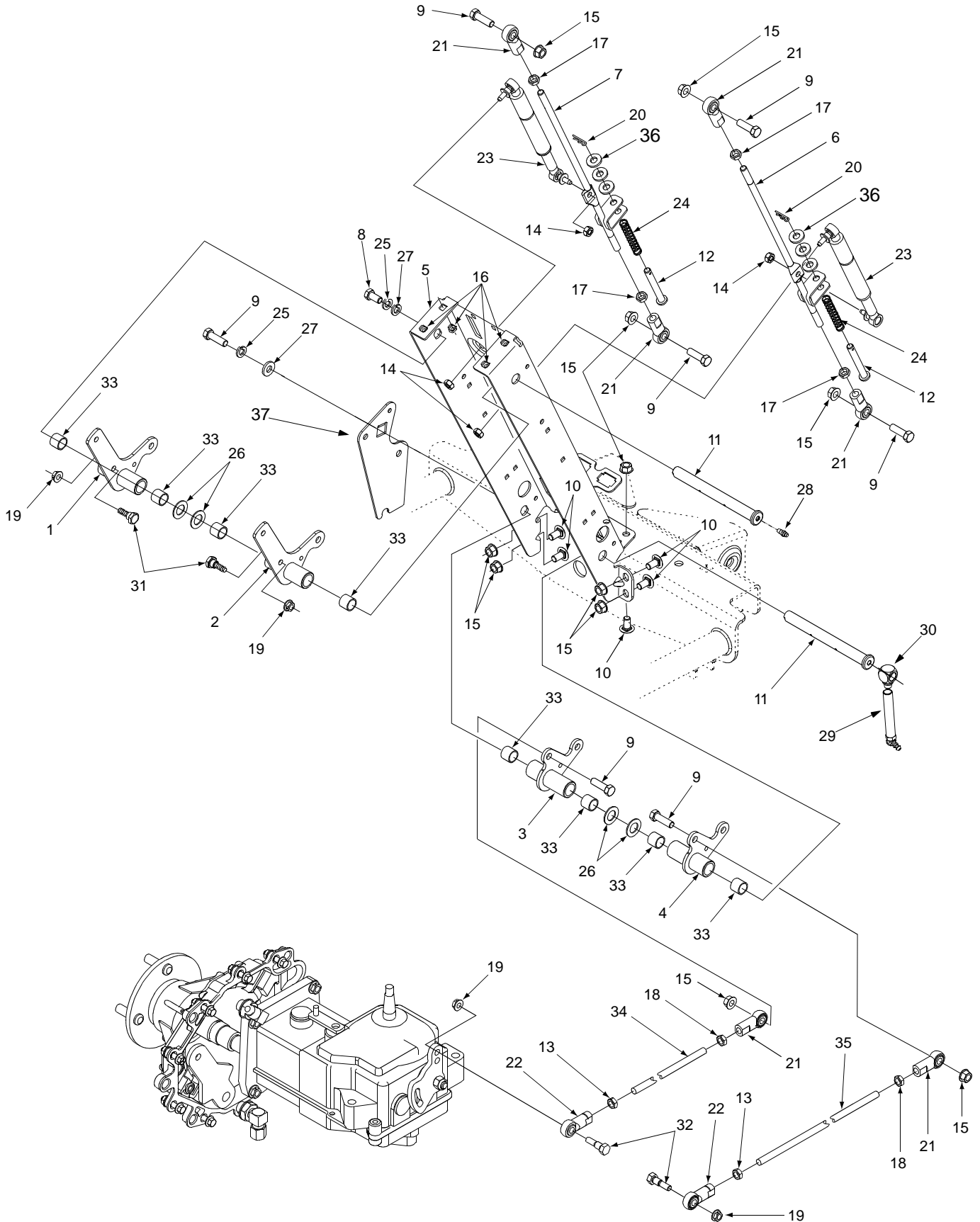
REF. NO.	PART NO.	DESCRIPTION	REF. NO.	PART NO.	DESCRIPTION
1	731-3263	Control Handle	21	731-3195A	LH Control Panel Cover
2	712-3004A	Flange Lock Nut 5/16-18	22	603-0424	LH Control Panel Assembly
3	710-0451	Carriage Bolt 5/16-18	23	723-3042	Snap Bushing
4	731-3185	Bellow	24	712-0453	Retainer Nut 1/4-20
5	735-0251	Foot Pad	25	726-3047	Push Nut
6	710-0642	Hex Washer Screw 1/4-20 x .75	26	728-0117	Pop Rivet
7	703-2648	Bellow Retainer Bracket	27	726-0197	Cable Tie
8	712-0431	Flange Lock Nut 3/8-16	28	703-1345A	Key
9	703-2807B	Foot Pad Mounting Bracket	29	731-3309	Rear Body
10	710-3168	Carriage Bolt 3/8-16	30	738-3163A	Shoulder Screw 3/8-16
11	749-3081	Cruise Control Tube	31	736-3039	Flat Washer .406 ID x 1.5 OD
12	703-3288	Control Tube Mounting Bracket	32	731-3318	Floor Body
13	710-0276	Carriage Screw 5/16-18 x 1.0	33	603-0578	Body Plate Assembly
14	731-3283	Consol	34	703-3474	Body Clip
15	726-0289	Plug	35	710-0376	Hex Cap Screw 5/16-18 x 1.0
16	731-3128A	Lens	36	703-1345A	Key
17	736-0242	Bell Washer .340 ID x .872 OD	37	725-3233	Electric PTO Switch
18	720-0241	Wingnut Knob	38	731-3196	RH Control Panel Cover
19	738-0754	Shoulder Screw	39	603-0425	RH Control Panel Assembly
20	720-0302	Knob			

Model Z-165



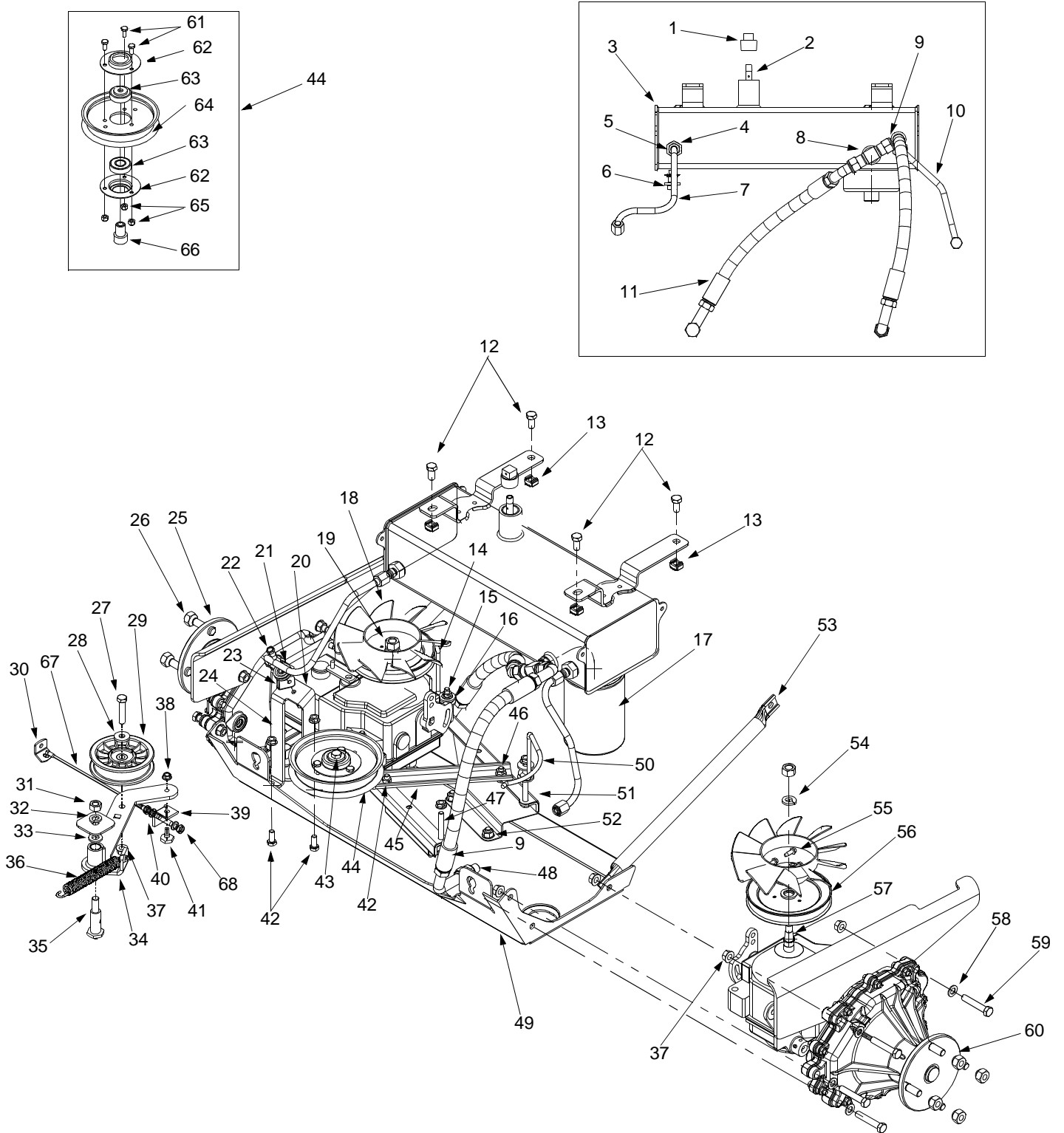
REF. NO.	PART NO.	DESCRIPTION
1	603-0649	Parking Brake Shift Ass'y
2	714-3004	Cotter Pin
3	710-3178	Carriage Bolt 3/8-16 x .75
4	741-0324	Hex Flange Bearing .506 ID x .590
5	703-3400	Brake Mounting Bracket
6	747-3404	Connecting Brake Rod
7	714-0104	Cotter Pin
8	710-0134	Carriage Screw 1/4-20 x .62
9	712-3027	Hex Flange Lock Nut 1/4-20
10	703-3405	Support Plate
11	714-0101	Cotter Pin
12	703-2857	Retaining Rod Bracket
13	732-0827	Torsion Spring 5/16
14	747-3397	Parking Brake Retaining Rod
15	735-0664	Parking Brake Pad
16	603-0683	Brake Rod Ass'y
17	711-3357	Ferrule
18	712-0314	Jam Nut 1/4-28
19	736-0258	Flat Washer .385 ID x 1.0 OD
20	712-0431	Flange Lock Nut 3/8-16
21	747-3266A	Bracket Rod
22	732-0463	Extension Spring
23	732-0800	Extension Spring
24	747-3284	Release Pump Rod RH
25	747-3363	Release Pump Rod LH

Model Z-165



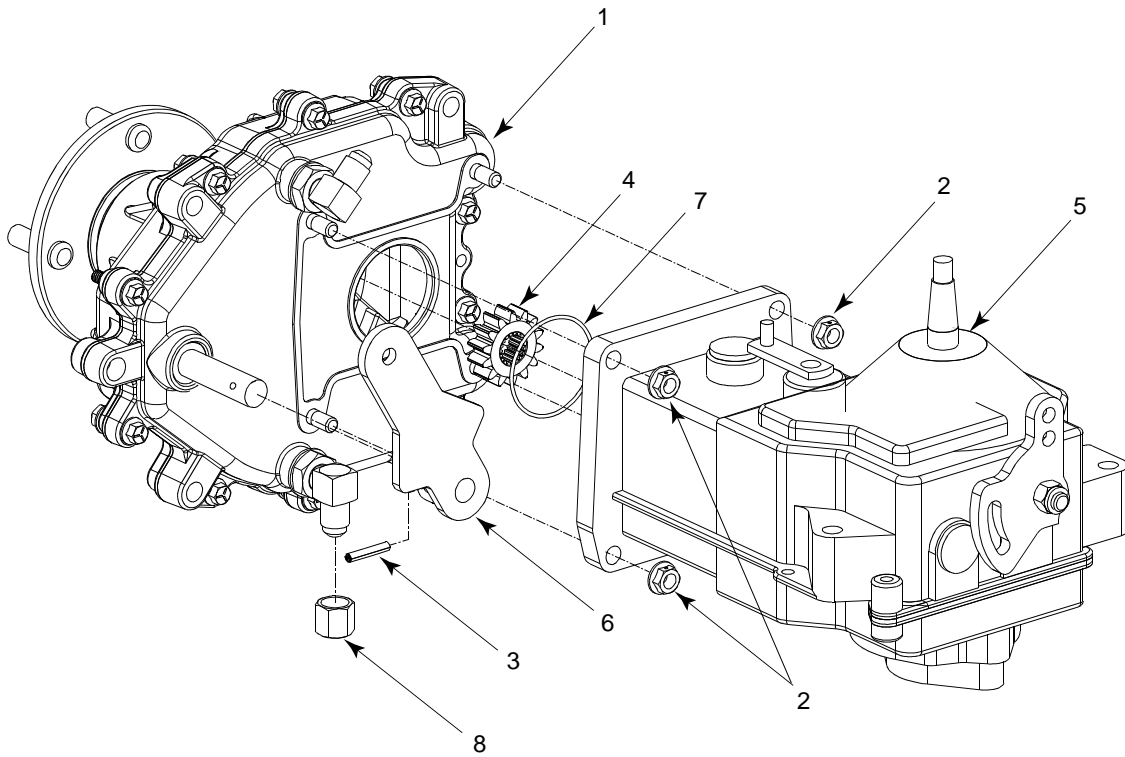
REF. NO.	PART NO.	DESCRIPTION	REF. NO.	PART NO.	DESCRIPTION
1	603-0340	Bellcrank Ass'y Upper LH	20	714-0104	Cotter Pin
2	603-0341	Bellcrank Ass'y Upper RH	21	723-0420	Spherical Rod End RH 3/8-24
3	603-0342	Bellcrank Ass'y Lower LH	22	723-0421	Spherical Rod End LH 3/8-24
4	603-0343	Bellcrank Ass'y Lower RH	23	727-3113	Damper Cylinder
5	603-0647	Support Ass'y Tower	24	732-3084	Spring Compression
6	603-0410	Rod Ass'y Control RH	25	736-0169	Lock Washer 3/8
7	603-0411	Rod Ass'y Control LH	26	736-0539	Thrust Washer .625 ID x 1.12 OD
8	710-0216	Hex Cap Screw 3/8-16 x .75	27	736-3004	Flat Washer .406 ID x .875 OD
9	710-3005	Hex Cap Screw 3/8-16 x 1.25	28	737-0280	Grease Fitting
10	710-3178	Carriage Bolt 3/8-16 x .75	29	737-3072	Grease Fitting w/Tube
11	711-1111	Control Shaft	30	737-3073	Adapter 1/4-20
12	711-1124	Pin	31	738-0296	Shoulder Bolt .437 Dia. x .268
13	712-0312	Hex Jam Nut LH 3/8-24	32	738-3153	Shoulder Bolt
14	712-0365	Hex Center Lock Nut	33	741-3063	Sleeve Bearing
15	712-0431	Hex Flange Lock Nut 3/8-16	34	747-3281	Control Rod LH 31-5/8
16	712-0453	Retainer 1/4-20	35	747-3282	Control Rod RH 35-3/8
17	712-0711	Hex Jam Nut 3/8-24	36	736-0300	Flat Washer .406 ID x .87 OD
18	712-3001	Hex Jam Nut 3/8-24	37	703-3405	Support Plate
19	712-3004A	Hex Flange Lock Nut 5/16-18			

Model Z-165



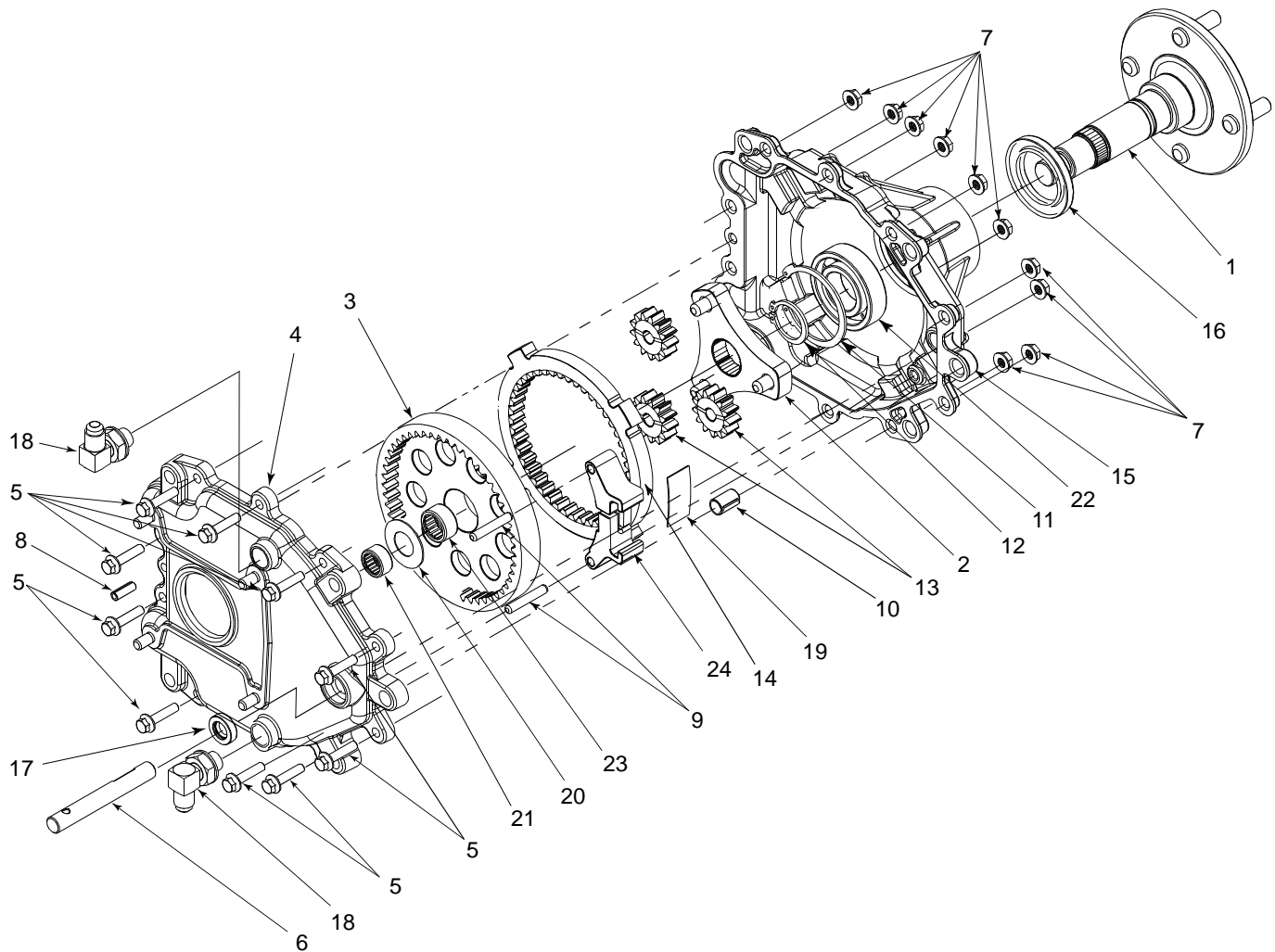
REF. NO.	PART NO.	DESCRIPTION	REF. NO.	PART NO.	DESCRIPTION
1	737-3069	Pipe Plug	35	603-0102	Shoulder Screw
2	737-3070A	Pipe Dipstick	36	732-0478	Extension Spring 6.12 Lg
3	603-0639	Hydraulic Tank Assembly	37	712-0431	Flange Lock Nut 3/8-16
4	727-3116	Connection Fitting	38	712-0138	Hex Nut 1/4-28
5	721-0223	Seal	39	736-0329	Lock Washer 1/4
6	738-0940	Drain Plug	40	736-0342	Flat Washer .283 ID x .75 OD
7	727-3120	Inlet Tube LH	41	710-0428	Hex Cap Screw 1/4-28 x 1.25
8	727-3155	Tee Fitting	42	710-3008	Hex Cap Screw 5/16-18 x .75
9	727-3154	Outlet Hose RH	43	710-3011	Hex Cap Screw 3/8-16 x 2.25
10	727-3121	Inlet Tube RH	44	603-0362	Idler Pulley Assembly 5.0"
11	727-3153	Outlet Hose LH	45	703-2888	Idler Bracket
12	710-0216	Hex Cap Screw 3/8-16 x .75	46	712-3004A	Flange Lock Nut 5/16-18
13	712-0455	Retainer Nut 3/8-16	47	710-3103	Hex Cap Screw 5/16-18 x 2.0
14	747-3360	Belt Retainer Rod RH	48	727-3100	Connection Fitting 1/2 x 3/8
15	710-0378	Hex Cap Screw 5/16-18 x 2.5	49	603-0358B	Skid Plate Assembly
16	736-3089	Flat Washer 5/16	50	747-3361	Belt Rod LH
17	723-3071	Filter Element	51	603-0450	Support Pump Assembly
18	731-1449A	Fan Blade	52	710-3178	Carriage Bolt 3/8-16 x .75
19	712-0333	Hex Nut 1/2-20	53	749-3040	Frame Strut
20	703-3168	Mounting Pulley Bracket	54	736-0921	Lock Washer 1/2
21	756-0625	Roller Cable	55	710-1189	Hex Washer Screw #12-24 x .625
22	738-0924	Hex Shoulder Screw 1/4-28 x .375	56	756-0974	Transmission Pulley
23	703-3169	Retainer Cable Bracket	57	732-0729	Wire Ring
24	712-0117	Lock Nut 1/4-28	58	736-0185	Flat Washer
25	618-3165	Complete Transmission Assembly LH	59	710-3144	Hex Cap Screw 3/8-16 x 2.0
26	712-3050	Lug Nut	60	618-3164	Complete Transmission Assembly RH
27	710-0347	Hex Cap Screw 3/8-16 x 1.75	61	710-0751	Hex Cap Screw 1/4-20 x .62
28	736-0258	Flat Washer .385 ID x 1.0 OD	62	703-2907	Bearing Cup
29	756-0627	Flat Idler Pulley 3.5 OD	63	741-0600	Ball Bearing
30	703-3174	Mounting Bracket Cable	64	756-3085	Idler Pulley 5.0"
31	712-3019	Hex Nut 7/16-14	65	712-0324	Hex Lock Nut 1/4-20
32	736-0171	Lock Washer 7/16	66	750-3176	Idler Spacer
33	736-3015	Flat Washer .469 ID x .875 OD	67	746-3083	Declutching Cable
34	603-0377A	Idler Arm Assembly	68	712-3007	Jam Nut 5/16-18

Model Z-165



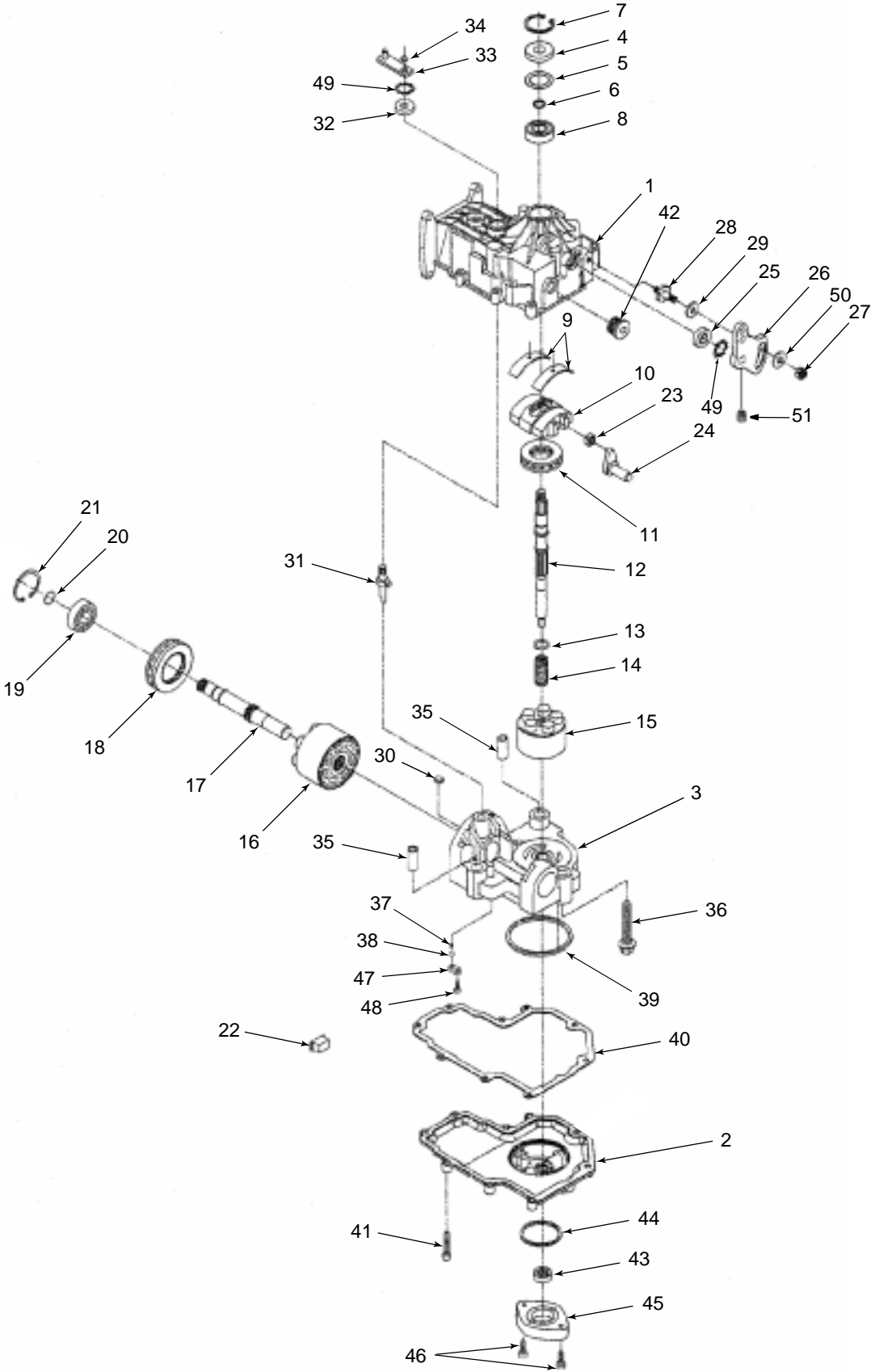
REF. NO.	PART NO.	DESCRIPTION
1	618-3110A	Drive Ass'y Complete
2	712-3004A	Hex Flange Lock Nut 5/16-18
3	715-0136	Spirol Pin 3/16 x 1.25
4	717-3396	Spur Gear 14T
5	717-3455	Hydro Transmission
6	718-3053	Parking Brake Lever
7	721-0343	O-Ring 2.0 Dia.
8	727-3125	Cap Nut 3/8

Model Z-165



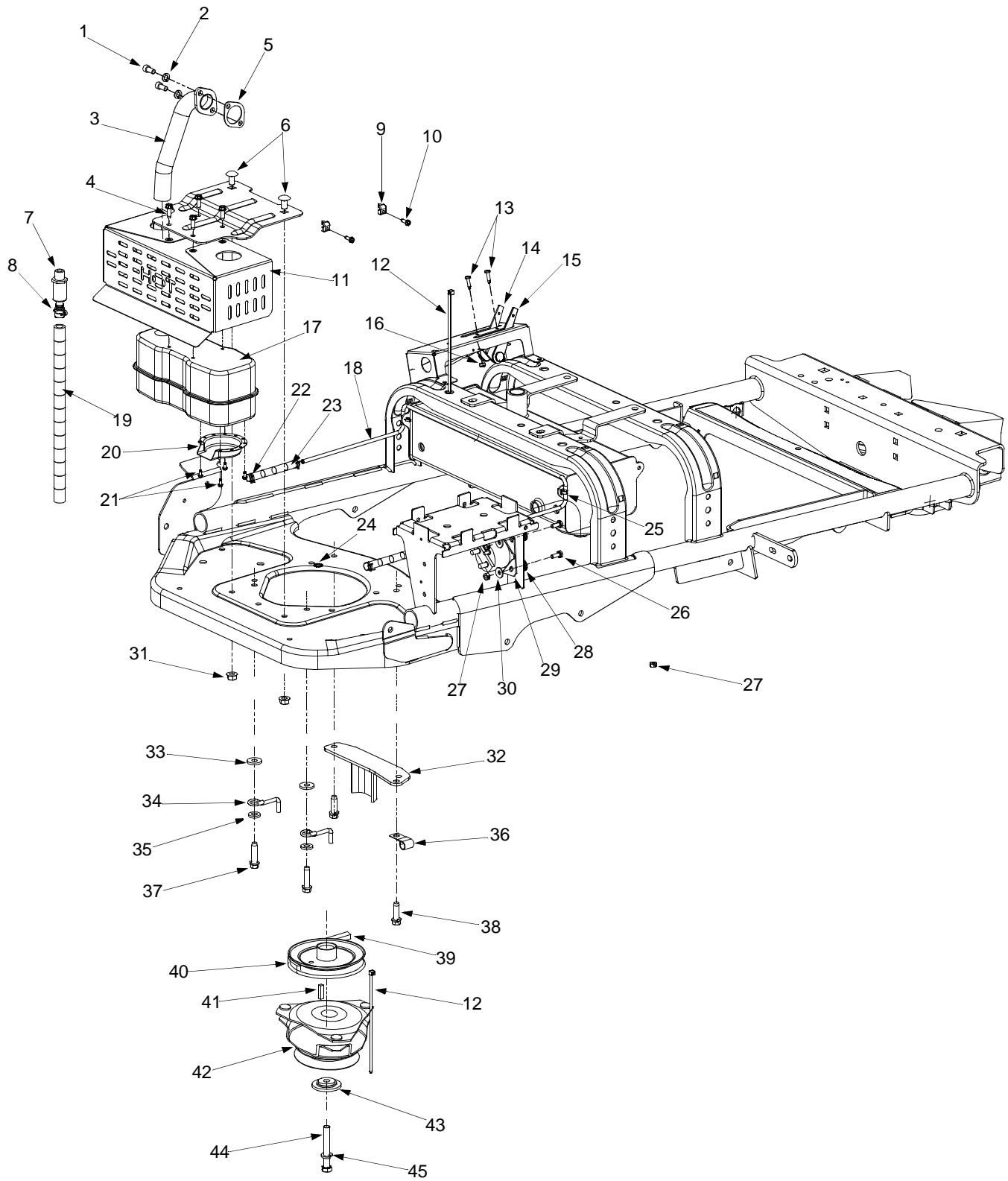
REF. NO.	PART NO.	DESCRIPTION	REF. NO.	PART NO.	DESCRIPTION
1	618-3110A	Drive Ass'y Complete	13	717-3395	Spur Gear 13T
	611-3012	Axle Assembly	14	717-3397	Ring Gear 46T
	710-0852	Ribbed Neck Stud	15	719-3114	Axle Outer Housing
2	618-3106	Carrier Assembly, Output	16	721-0381	Oil Seal
3	618-3107	Gear Assembly, 51T Internal & 20T	17	721-0393	Oil Seal
4	618-3109	Housing Ass'y	18	727-3124	Elbow Fitting
5	710-1342	Hex Washer Screw 1/4-20 x 1-1/8	19	732-0752	Brake Shoe Spring
6	711-1048	Brake Shaft	20	736-0351	Shim Washer .76 x 1.5 x .030
7	712-3027	Hex Flange Lock Nut 1/4-20		736-0492	Shim Washer .76 x 1.5 x .010
8	715-0156	Roll Pin		736-0493	Shim Washer .76 x 1.5 x .020
9	715-0219	Dowel Pin	21	741-0665	Needle Bearing
10	715-3045	Bushing	22	741-3033A	Ball Bearing
11	716-3015	Inverted Retaining Ring	23	741-3080	Needle Bearing
12	716-3018	Snap Ring	24	761-3049	Shoe Brake

Model Z-165



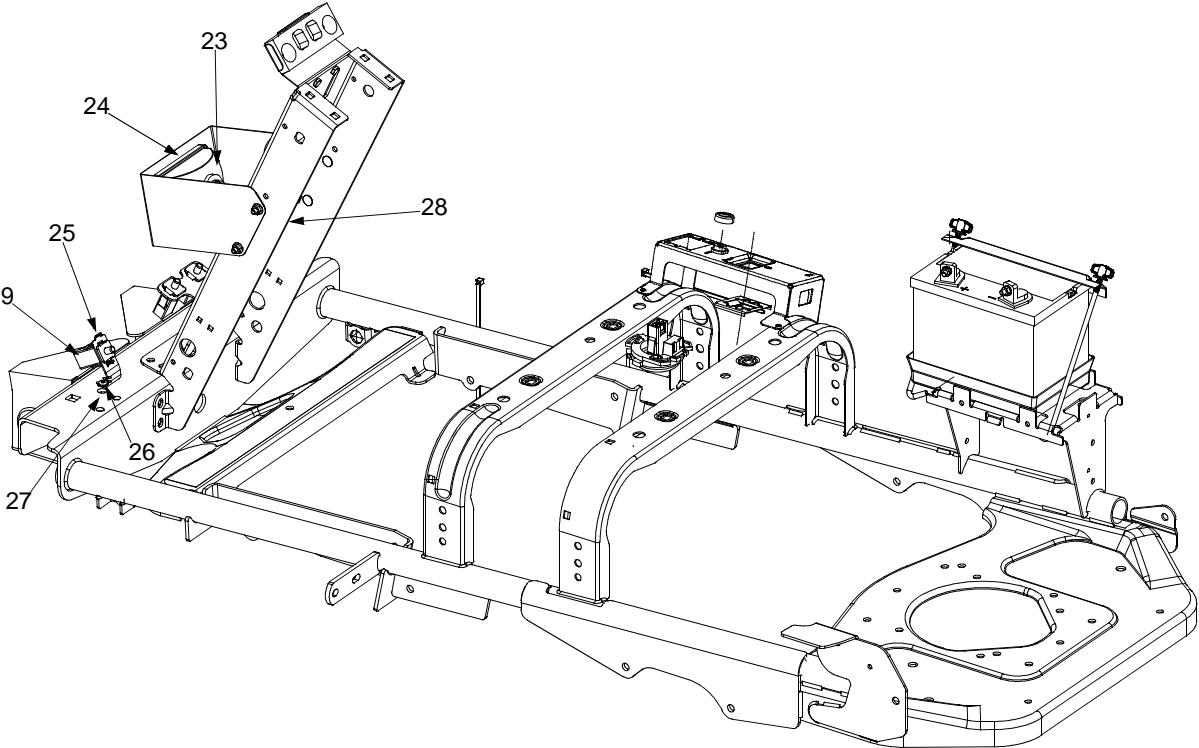
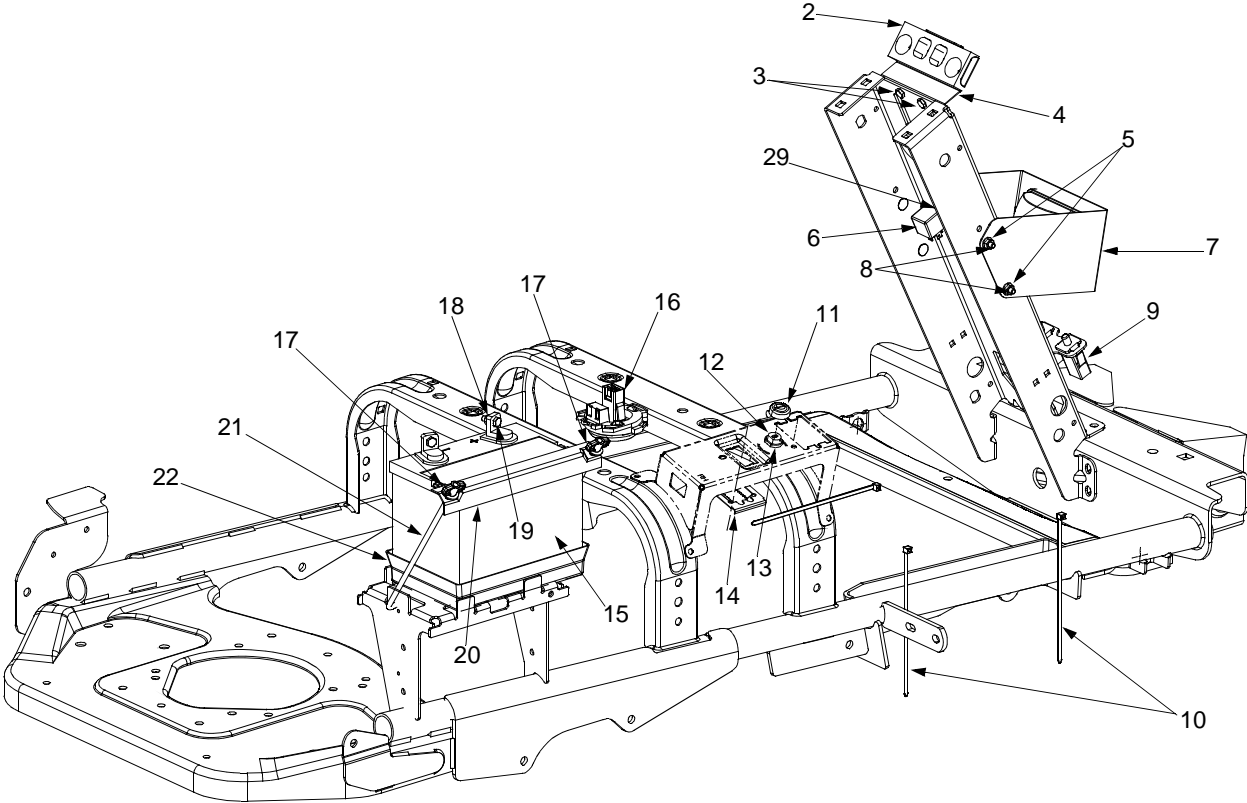
REF. NO.	PART NO.	DESCRIPTION	REF. NO.	PART NO.	DESCRIPTION
	717-3455	Transmission Ass'y Hydro	26	HG-45007	Control Arm
1	HG-70304	Housing Ass'y Upper	27	712-0237	Hex Lock Nut 5/16-24
2	HG-50301	Lower Housing	28	HG-50426	Short Stud 5/16-24
3	HG-70299	Center Section Assembly	29	HG-50281	Friction Puck
4	HG-9008000-0128	Lip Seal	30	HG-2003554	Bypass Plate
5	HG-2003018	Spacer	31	HG-2003555	Bypass Actuator
6	HG-2003016	Wire Retaining Ring	32	HG-45074	Lip Seal
7	HG-2003052	Retaining Ring	33	HG-50270	Bypass Arm
8	HG-2003043	Ball Bearing	34	HG-44870	Retaining Ring
9	HG-2003023	Cradle Bearing	35	HG-50002	Pin
10	HG-2003087	Variable Swashplate	36	HG-50016	Screw
11	HG-50551	Thrust Bearing	37	HG-2000029	Charge Relief Spring
12	HG-50303	Input Shaft	38	HG-9001214-2500	Ball
13	HG-2003017	Block Thrust Washer	39	HG-50578	O-Ring
14	HG-2003014	Block Spring	40	HG-50331	Gasket
15	HG-70079	Cylinder Block Assembly	41	HG-44876	Self Tapping Screw
16	HG-70082	Cylinder Block Assembly	42	HG-9005110-8700	Drain Plug
17	HG-50304	Output Shaft (Motor)	43	HG-50273	Gerotor Assembly
18	HG-50552	Thrust Bearing	44	HG-9004101-1340	O-Ring
19	741-0361	Ball Bearing	45	HG-50260	Gerotor Cover
20	HG-2000022	Wire Retaining Ring	46	HG-50095	Screw
21	HG-50329	Retaining Ring	47	HG-50651	Relief Plate
22	HG-50649	Motor Bearing Retaining	48	HG-50653	Screw
23	HG-2000015	Slot Guide	49	HG-50650	Retaining Ring
24	HG-2003005	Trunnion Arm	50	736-0371	Washer
25	HG-9008000-0126	Lip Seal	51	HG-50018	Set Screw

Model Z-165



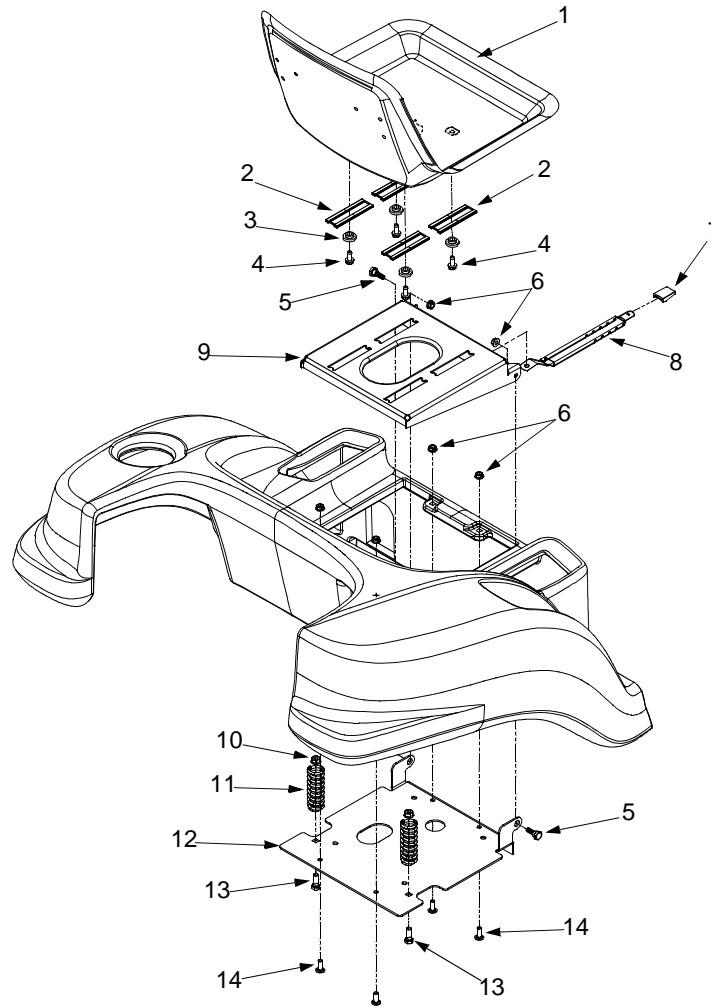
REF. NO.	PART NO.	DESCRIPTION	REF. NO.	PART NO.	DESCRIPTION
1	710-1314	Cap Screw 5/16-18	24	736-0607	Lock Washer 5/16
2	736-0119	Lock Washer 5/16	25	725-1711	Retainer Clip
3	751-0619	Exhaust Pipe	26	710-0751	Hex Cap Screw 1/4-20 x .620
4	710-0642	Hex Washer Screw 1/4-20 x .75	27	712-0291	Hex Lock Nut 1/4-20
5	721-0208	Exhaust Gasket	28	736-3006	Lock Washer 1/4 ID x 3/4 OD
6	710-3178	Carriage Bolt 3/8-16 x .75	29	725-3001	Solenoid
7	751-3140	Oil Drain	30	736-0270	Bell Washer .265 ID x .75 OD
8	751-3142	Oil Drain Cap	31	712-0431	Flange Lock Nut 3/8-16
9	751B213146	Throttle Clamp	32	603-0317	Clutch Retainer Ass'y
10	710-1237	Hex Washer Screw #10-32 x .625	33	736-0258	Flat Washer .385 ID x 1.0 OD
11	703-3004	Muffler Bracket	34	747-3362	Rear Belt Retainer Rod
12	725-0157	Cable Tie	35	736-3010	Flat Washer .407 ID x .812 OD
13	710-3009	Screw #10-24 x .75	36	726-3008	Heat Shield Cable Clip
14	746-3074	Throttle Cable Control 32"	37	710-1007	Hex Washer Screw 3/8-16 x 1.5
15	746-3073	Choke Cable Control 32.25"	38	710-0502A	Hex Washer Screw 3/8-16 x 1.25
16	712-0161	Hex Lock Nut #10 - 24	39	754-3076	V-Belt
17	751-0617	Muffler	40	756-3060	Pulley
18	749-3048	Fuel Line	41	714-0128	Key
19	751-3141	Oil Drain Hose	42	717-3467	Electric Clutch
20	751-0564	Muffler Deflector	43	750-3106	Spacer Clutch
21	710-0148	Hex Washer Screw #8-32 x .375	44	710-0510	Hex Cap Screw 7/16-20 x 3.0
22	726-0205	Hose Clamp	45	736-0171	Lock Washer 7/16
23	751-0535	Fuel Line Hose			

Model Z-165



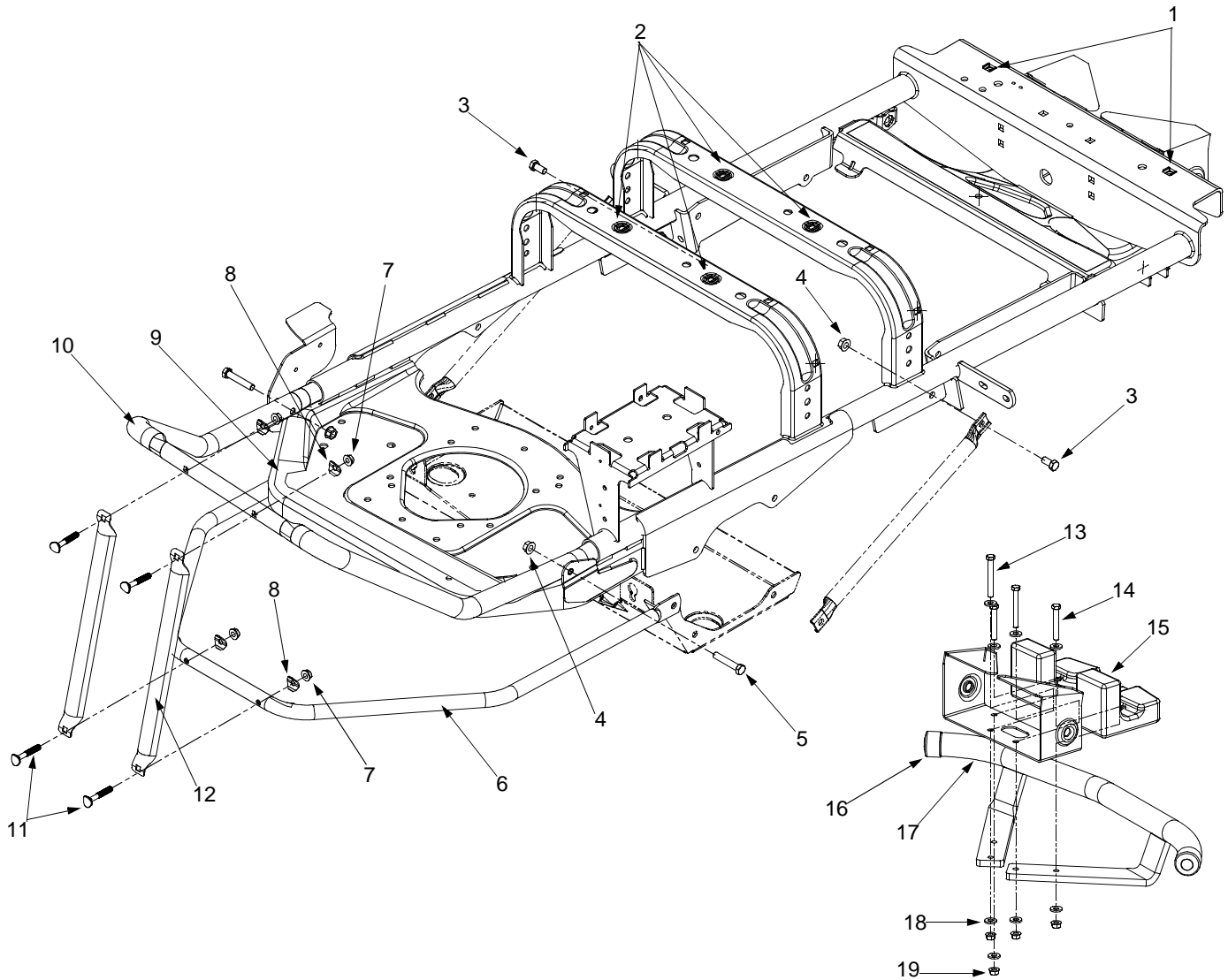
REF. NO.	PART NO.	DESCRIPTION	REF. NO.	PART NO.	DESCRIPTION
1	629-3033	Wire Harness, Main - Not Shown	14	783-0462	Bracket, PTO Switch Retainer
	629-3037	Wire Harness, Engine	15	725-1722	Battery
	629-3039	Battery Cable, Red	16	725-3253	Switch, Seat
	629-3040	Battery Cable, Red	17	712-0397	Nut, Nylon Wing, 1/4-20
	629-3041	Battery Cable, Black	18	712-0271	Nut, Hex Sems, 1/4-20
2	723-0455	Foam Protector, Indicator Light	19	710-3015	Screw, Hex Cap, 1/4-20 x .75 GR5
3	710-3013	Hex Cap Screw 1/4-20 x .50	20	703-3149	Strip, Battery Retainer
4	703-2809	Bracket, Indicator Bulb Mtg.	21	747-3347	Rod, Battery Retainer
5	712-3027	Nut, Hex Flange Lock, 1/4-20	22	731-3233	Tray, Battery
6	725-1718	Relay	23	725-3250	Headlight Assembly
7	703-2836	Bracket, Headlight Mtg.		759-3864	Bulb, Headlight - Only
8	710-0134	Carriage Screw 1/4-20 x .62	24	731-3184	Bezel, Headlight
9	725-3164A	Switch, Plunger Safety	25	732-0816	Spring, Switch Mounting
10	725-0157	Cable Tie	26	710-0425	Screw, Machine, #10-24 x 5/8
11	725-1347	Cap, Ignition Switch	27	712-0161	Nut, Hex Insert Lock, #10-24
12	725-1346	Nut, Ignition Switch, 5/8-32	28	725-3251	Voltage Sensor
13	725-3163	Switch, Ignition	29	726-0349	Ratchet Retainer

Model Z-165



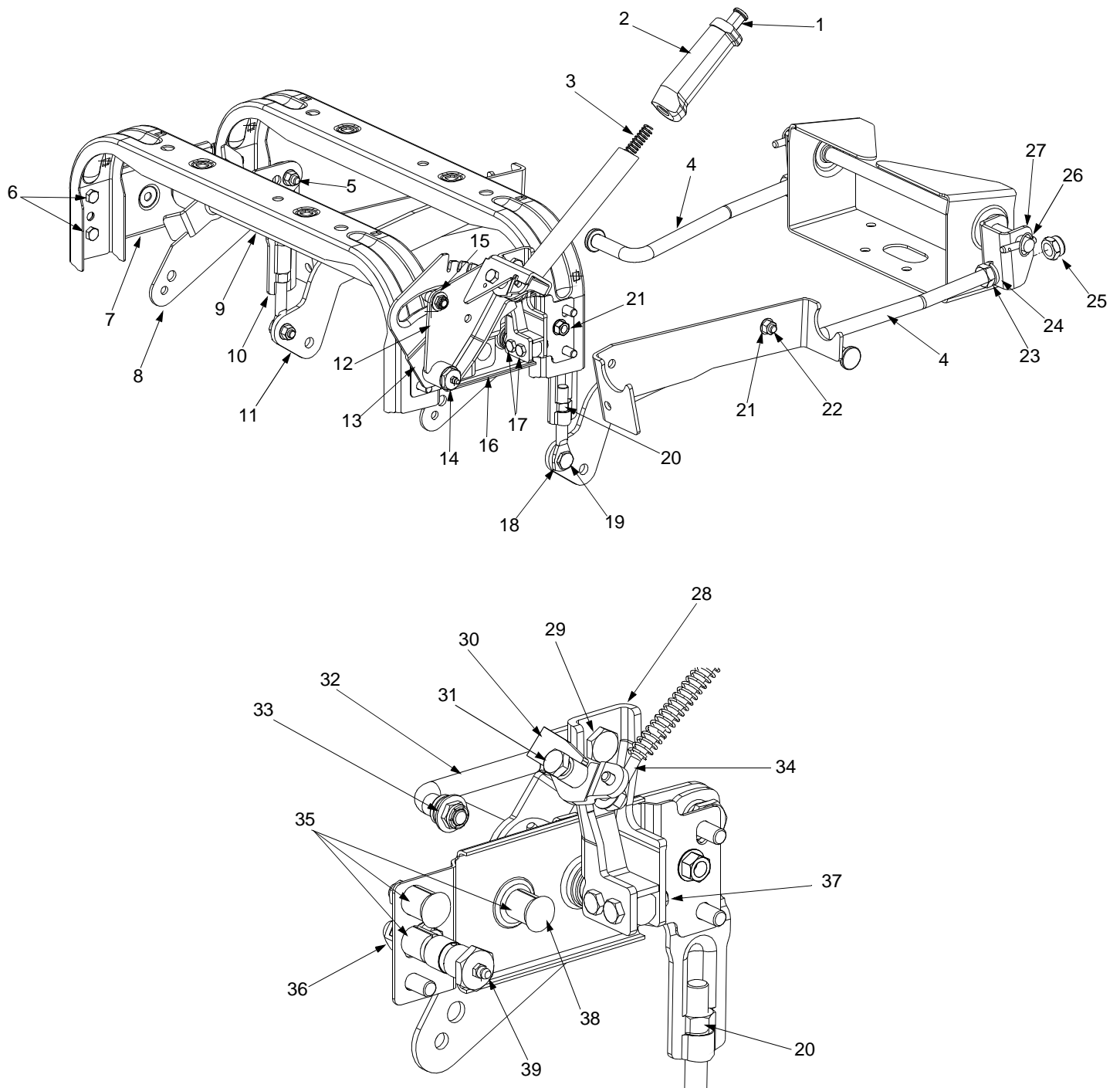
REF. NO.	PART NO.	DESCRIPTION
1	757-3006	Seat
2	731-3154	Seat Slide
3	738-0372	Shoulder Spacer
4	710-1260A	Hex Washer Screw 5/16-18 x .75
5	738-0296	Shoulder Screw
6	712-3004A	Flange Lock Nut 5/16-18
7	720-0190	Height Knob
8	732-3098	Spring Index
9	603-0294	Seat Base Bracket Assembly
10	712-3005	Flange Lock Nut 3/8-16
11	732-3080	Compression Spring
12	703-3498	Seat Plate
13	710-0514	Hex Cap Screw 3/8-16 x 1.0
14	710-3105	Bolt 5/16-18 x .875
	757-3006	Seat

Model Z-165



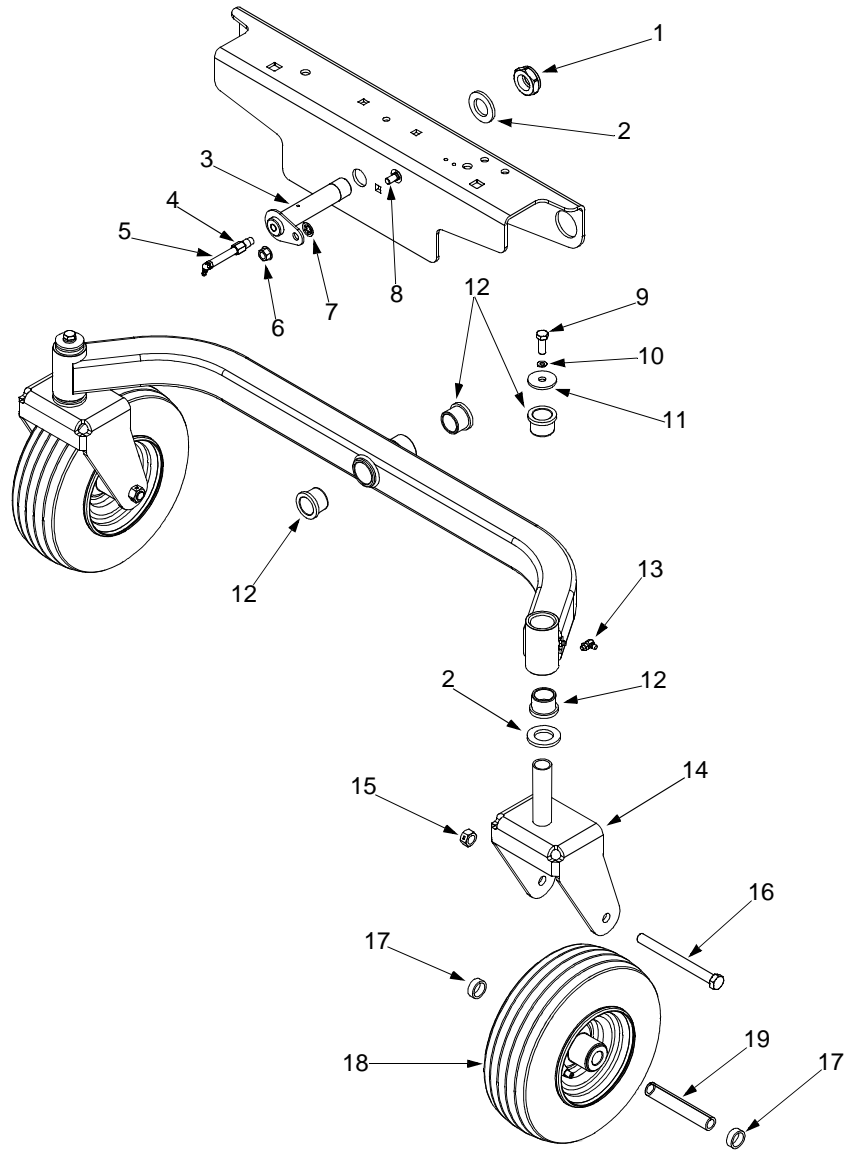
REF. NO.	PART NO.	DESCRIPTION	REF. NO.	PART NO.	DESCRIPTION
1	712-0251	Retainer Nut 3/8-16	11	710-1174	Carriage Bolt 5/16-18 x 2.0
2	712-0455	Retainer Nut 3/8-16	12	703-3504	Bumper Bracket
3	710-0216	Hex Cap Screw 3/8-16 x .75	13	710-0521	Hex Cap Screw 3/8-16 x 3.0
4	712-0431	Flange Lock Nut 3/8-16	14	710-0859	Hex Cap Screw 3/8 - 16 x 2.5
5	710-3144	Hex Cap Screw 3/8-16 x 2.0	15	719-3130	Counter Weight
6	749-3061	Lower Bumper Tube	16	726-0298	End Cap
7	712-3004A	Flange Lock Nut 5/16-18	17	603-0620	Bumper Ass'y
8	736-0451	Washer .320 ID x .93 OD	18	736-3004	Flat Washer .406 ID x .875 OD
9	603-0720	Frame Assembly	19	712-0431	Flange Lock Nut 3/8-16
10	749-3087	Upper Bumper			

Model Z-165



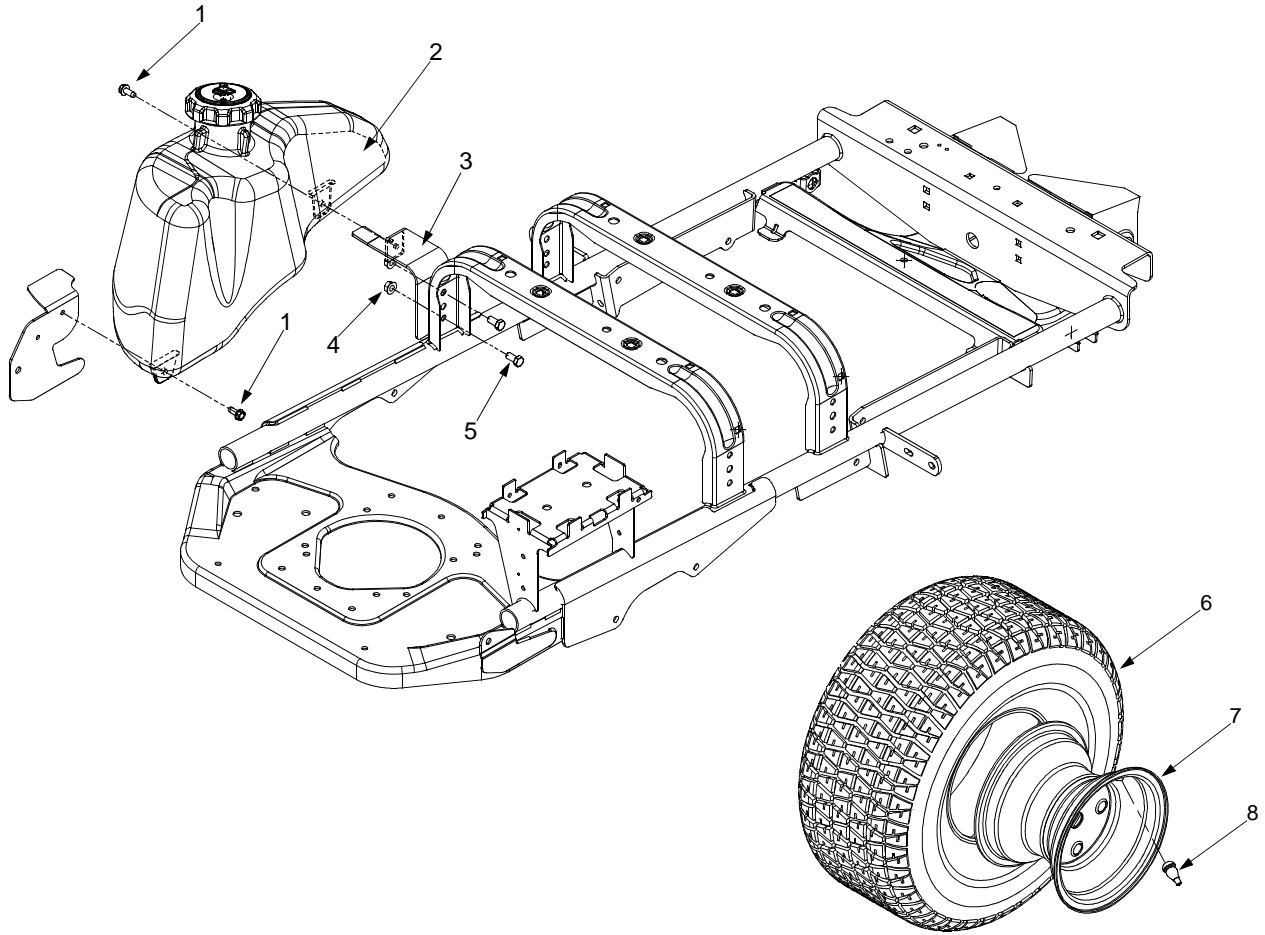
REF. NO.	PART NO.	DESCRIPTION	REF. NO.	PART NO.	DESCRIPTION
1	711-0642A	Handle Button	21	712-0431	Flange Lock Nut 3/8-16
2	731-3158	Handle Deck Lift Grip	22	738-3151	Shoulder Screw 3/8-16 .56 x .27
3	732-3097	Compression Spring	23	712-3015	Jam Nut 5/8-11
4	747-3405	Front Lift Rod	24	736-0158	Lock Washer 5/8
5	738-0507B	Shoulder Screw .500 Dia x .434	25	712-3016	Lock Hex Nut 5/8-11
6	710-0216	Hex Cap Screw 3/8-16 x .75	26	711-3266	Clevis Pin
7	603-0422	Shaft Mounting Bracket - LH	27	703-3407	Front Lift Bracket
8	603-0370	Pivot Link Bearing Ass'y	28	603-0401	Lift Arm Ass'y
9	603-0313	Lift Shaft Ass'y	29	738-0183	Shoulder Screw 3/8-16 .50 x .21
10	703-2621	Adjustable Deck Lift Link	30	603-0257	Fork Lift Ass'y
11	703-2780	Lift Parallel Link	31	710-3011	Hex Cap Screw 3/8-16 x 2.25
12	603-0327	Handle Bearing Ass'y	32	747-3276	Lift Link Rod
13	703-2772	Deck Height Adjustable Plate	33	736-0300	Flat Washer .406 x .875
14	738-3150	Lift Handle Shoulder Screw	34	747-3267	Handle Arm
15	712-3020	Top Lock Jam Nut 3/8-16	35	750-3200	Spacer .448 ID x .688 OD
16	603-0423	Shaft Mounting Bracket - RH	36	712-0290	Lock Nut 7/16-14
17	710-3083	Hex Cap Screw 5/16-18 x 1.375	37	712-3009	Hex Center L-Nut 5/16-18
18	711-0773	Eye Bolt Adjustable Link	38	710-0431	Hex Screw 3/8-16 x 1.50
19	738-0380	Shoulder Screw 3/8-16	39	737-0280	Grease Fitting
20	712-0206	Hex Nut 1/2-13			

Model Z-165



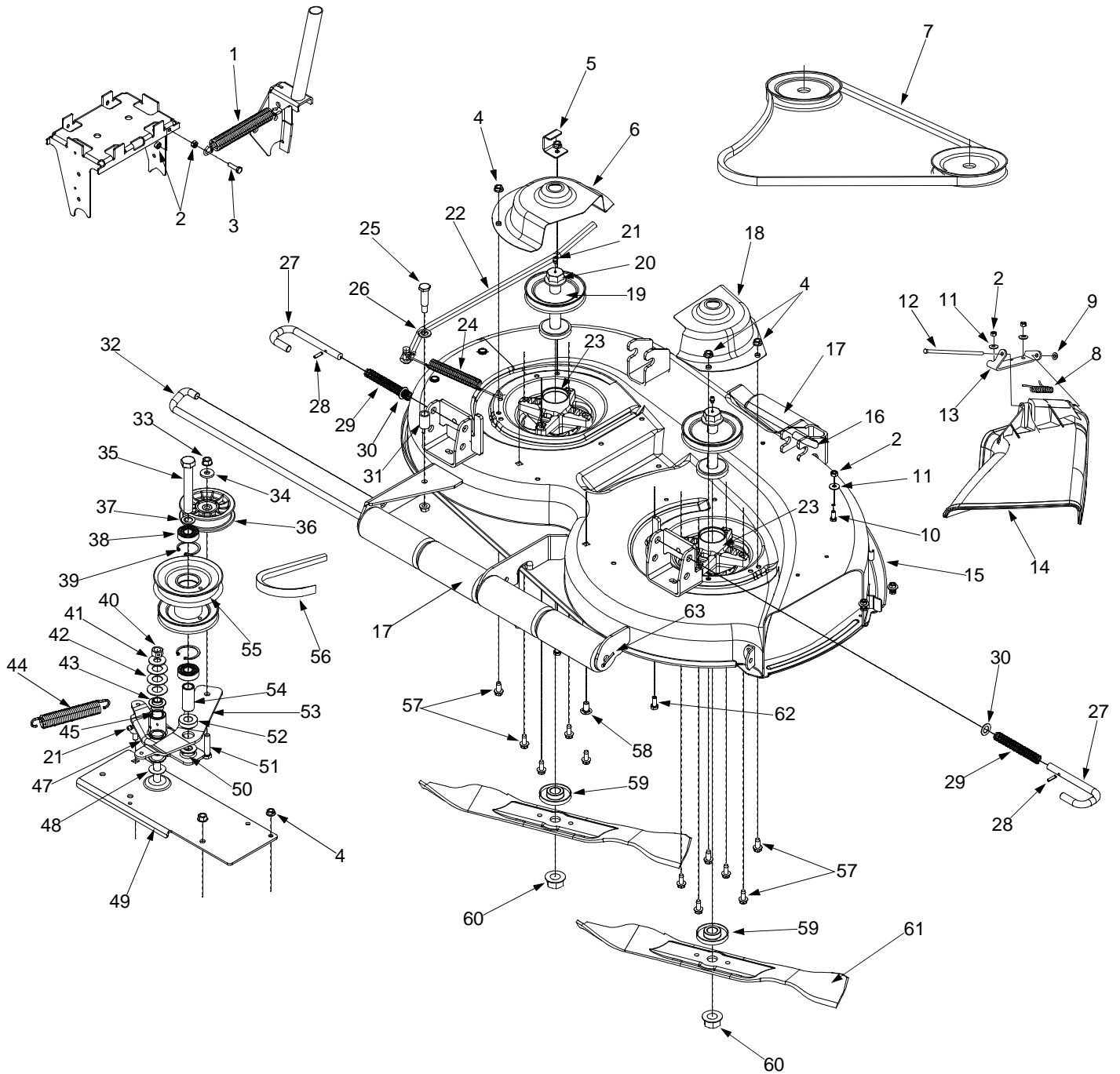
REF. NO.	PART NO.	DESCRIPTION	REF. NO.	PART NO.	DESCRIPTION
1	712-3075	Hex Lock Nut, 1.0-14	11	712-0239	Hex Center Lock Nut, 1/2-20
2	736-0274	Flat Washer	12	731-0374	Flange Bearing 1.0 ID
3	603-0389A	Pin Ass'y, Pivot	13	737-0280	Grease Fitting
4	737-3090	Adapter, 1/8 NPTF x 1/8 NPTF	14	603-0363	Castor Wheel Bracket
5	737-3072	Grease Fitting, 65° w/Extension	15	712-0239	Hex Center Lock Nut 1/2-20
6	712-0431	Hex Flange Lock Nut, 3/8-16	16	710-0506	Hex Cap Screw, 1/2-20 x 5.5
7	712-0229	Push Nut, 3/8 ID	17	750-0456	Spacer, .79 ID x .347 Lg '
8	710-3178	Carriage Bolt, 3/8-16 x .75	18	634-3164	Wheel Comp 11.0 x 4.0 x 5.0
9	710-0514	Hex Cap Screw, 3/8-16 x 1.0	19	750-3197	Wheel Spacer
10	736-0169	Lock Washer 3/8			

Model Z-165



REF. NO.	PART NO.	DESCRIPTION
1	710-1260A	Hex Washer Screw 5/16-18 x .75
2	651-3004	Tank 4.0 Gal
3	703-3490	Fuel Tank Mounting Bracket
4	712-0431	Flange Lock Nut 3/8-16
5	710-0216	Hex Cap Screw 3/8-16 x .75
6	734-3118	Tire 20.0 x 7.0 x 8.0
7	634-3031	Rim Ass'y 8.0 x 4.85
8	734-0255	Tubeless Air Valve

Model Z-165



REF. NO.	PART NO.	DESCRIPTION	REF. NO.	PART NO.	DESCRIPTION
1	732-0556	Extension Spring .94 OD x 7.57 Lg	32	711-3358	Deck Roller Pin
2	712-3006	Hex Nut 1/4-20	33	712-0431	Flange Lock Nut 3/8-16
3	710-0597	Hex Cap Screw 1/4-20 x 1.0	34	736-0258	Flat Washer .385 OD x 1.0 OD
4	712-3004A	Flange Lock Nut 5/16-18	35	710-3151	Hex Cap Screw 5/8-18 x 4.25
5	703-2559	Stop Bracket	36	756-0627	Flat Idler Pulley 3.5 OD
6	703-2945	LH Pulley Cover	37	736-0290	Flat Washer 5/8 ID x 1.0 OD
7	754-3091	V-Belt	38	741-0524	Bearing .625 ID x 1.574 OD
8	732-0602	Torsion Spring	39	716-3020	Snap Ring
9	726-0106	Speed Cap Nut	40	712-0239	Lock Nut 1/2-20
10	710-0751	Hex Cap Screw 1/4-20 x .620	41	736-0179	Flat Washer 1/2 ID x 1.25 OD
11	736-0270	Bell Washer .265 OD x .75 ID	42	736-0188	Flat Washer .76 ID x 1.49 OD
12	711-0792	Hinge Pin .25 Dia. x 6.75 Lg	43	741-0338	Flange Bearing 3/4 ID x .52 Lg
13	703-1693	Hinge Mounting Bracket	44	732-0850	Extension Spring 1.0 OD x 6.140 Lg
14	731-1032	Deflector Ass'y Chute	45	750-0656	Spacer .50 OD x .75 ID
15	603-0316	Deck Ass'y	47	603-0581	Pivot Arm Pulley Ass'y
16	711-3314	Roller Pin	48	736-0100	Flat Washer .531 ID x 1.25 OD
17	731-3005	Roller	49	603-0584	Deck Plate Ass'y
18	703-3237	RH Pulley Cover	50	736-0187	Flat Washer .64 ID x 1.24 OD
19	756-3089	Pulley 4.0 Dia	51	710-3037	Hex Cap Screw 3/8-16 x 1.75
20	710-1336	Spindle Bolt 3/4-16 x 4.25	52	738-0988	Shoulder Spacer .875 Dia x .245
21	737-3000	Grease Fitting 3/16	53	703-3147	Idler Pivot Arm
22	603-0580	Engag Rod Ass'y	54	750-3164	Spacer .635 ID x 2.0 Lg
23	618-3129	Deck Spindle Ass'y	55	756-3103	Pulley
24	732-0851A	Extension Spring .75 OD x 8.63 Lg	56	754-3092	V-Belt
25	738-0213	Shoulder Screw .498 x 1.45 Lg	57	710-1260A	Hex Washer Screw 5/16-18 x .75
26	736-0192	Flat Washer .531 OD x .93 OD	58	710-3178	Carriage Bolt 3/8-16 x .75
27	747-3013	Support Mower Pin	59	748-3065	Deck Spindle Spacer
28	715-3003	Spirol Pin	60	712-3078	Hex Flange Nut 3/4-16
29	732-0802	Compression Spring .63 OD x 6.3 Lg	61	742-3033	Blade
30	736-0160	Flat Washer .536 ID x .930 OD	62	710-3008	Hex Cap Screw 5/16-18 x .75
31	750-0151	Spacer .550 ID x .750 OD	63	714-0115	Cotter Pin

IMPORTANT: For a proper working machine, use Factory Approved Parts.

V-Belts are specially designed to engage and disengage safely. A substitute (non OEM) V-belt can be dangerous by not disengaging completely.

NOTE: For **painted parts**, please refer to the list of color codes below. Please add the applicable color code, wherever needed, to the part number to order a replacement part. For instance, if a part, numbered 700-xxxx, is painted Oyster Gray, the part number to order would be 700-xxxx-0662.

Oyster Gray: 0662
Powder Black: 0637

Free Manuals Download Website

<http://myh66.com>

<http://usermanuals.us>

<http://www.somanuals.com>

<http://www.4manuals.cc>

<http://www.manual-lib.com>

<http://www.404manual.com>

<http://www.luxmanual.com>

<http://aubethermostatmanual.com>

Golf course search by state

<http://golfingnear.com>

Email search by domain

<http://emailbydomain.com>

Auto manuals search

<http://auto.somanuals.com>

TV manuals search

<http://tv.somanuals.com>