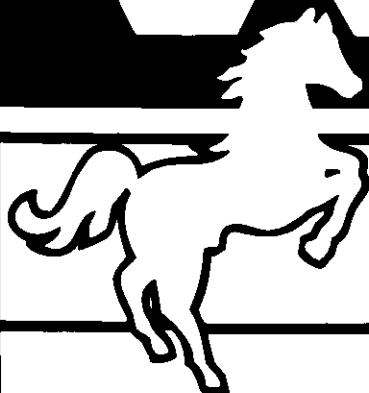
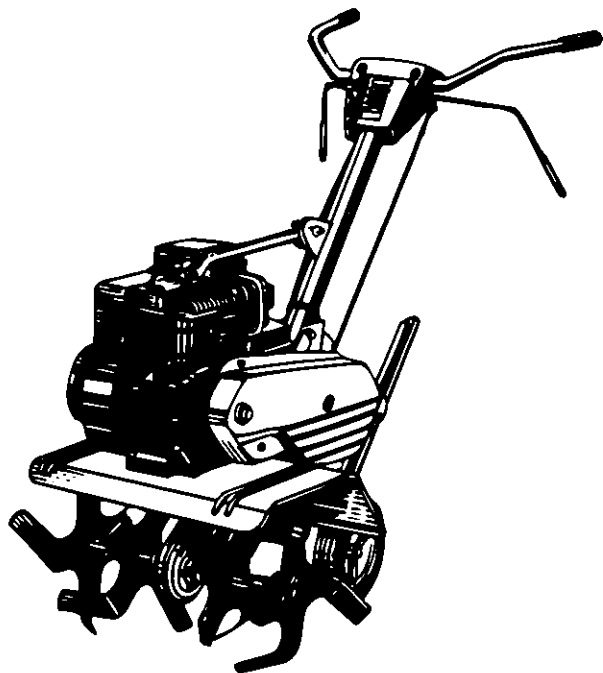


# WHITE



## OUTDOOR PRODUCTS OWNER'S GUIDE



### ROTO BOSS 500 Chain Drive Tiller

Model No.  
214-340-190

Thank you for purchasing an American-built product.

**WARNING:** This unit is equipped with an internal combustion engine and should not be used on or near any unimproved forest-covered, brush-covered or grass-covered land unless the engine's exhaust system is equipped with a spark arrester meeting applicable local or state laws (if any). If a spark arrester is used, it should be maintained in effective working order by the operator.




In the State of California the above is required by law (Section 4442 of the California Public Resources Code). Other states may have similar laws. Federal laws apply on federal lands. A spark arrester for the muffler is available through your nearest engine authorized service dealer or contact the Service Department of White Outdoor Products, P.O. Box 361131, Cleveland, Ohio 44136-0019.

# INDEX

Rules for Safe Operation .....	2	Lubrication .....	8
Assembly .....	3	Maintenance .....	9
Controls .....	5	Off-Season Storage .....	10
Operation .....	5	Trouble Shooting Guide .....	10
How To Use Your Tiller .....	6	Limited Warranty .....	11
Adjustments .....	8		

## IMPORTANT

## RULES FOR SAFE OPERATION

 THIS SYMBOL POINTS OUT IMPORTANT SAFETY INSTRUCTIONS WHICH, IF NOT FOLLOWED, COULD ENDANGER THE PERSONAL SAFETY AND/OR PROPERTY OF YOURSELF AND OTHERS. READ AND FOLLOW ALL INSTRUCTIONS IN THIS MANUAL BEFORE ATTEMPTING TO OPERATE YOUR TILLER. FAILURE TO COMPLY WITH THESE INSTRUCTIONS MAY RESULT IN PERSONAL INJURY. WHEN YOU SEE THIS SYMBOL—  HEED ITS WARNING. 



**DANGER:** Your tiller was built to be operated according to the rules for safe operation in this manual. As with any type of power equipment, carelessness or error on the part of the operator can result in serious injury. If you violate any of these rules, you may cause serious injury to yourself or others.

1. It is suggested that this manual be read in its entirety before attempting to assemble or operate this unit. Keep this manual in a safe place for future and regular reference and for ordering replacement parts.
2. Your tiller is a precision piece of power equipment, not a plaything. Therefore, exercise extreme caution at all times.
3. Read this owner's manual carefully. Be thoroughly familiar with the controls and the proper use of the equipment.
4. Never allow children to operate a power tiller. Only persons well acquainted with these rules of safe operation should be allowed to use your tiller.
5. No one should operate this unit while intoxicated or while taking medication that impairs the senses or reactions.
6. Keep the area of operation clear of all persons, particularly small children and pets.
7. Do not operate equipment when barefoot or wearing open sandals. Always wear substantial footwear.
8. Do not wear loose fitting clothing that could get caught on the tiller.
9. Do not start the engine unless the shift lever is in the neutral (N) position.
10. Do not stand in front of the tiller while starting the engine.
11. Do not place feet and hands on or near the tines when starting the engine or while the engine is running.
12. Never attempt to make a wheel or depth bar adjustment while the engine is running.
13. Do not leave the tiller unattended with the engine running.
14. Do not walk in front of the tiller while the engine is running.
15. Check the fuel before starting the engine. Gasoline is an extremely flammable fuel. Do not fill gasoline tank indoors, while the engine is running, or while the engine is still hot. Replace gasoline cap securely, and wipe off any spilled gasoline before starting the engine as it may cause a fire or explosion.
16. Do not run the engine while indoors. Exhaust gases are deadly poisonous.
17. Be careful not to touch the muffler after the engine has been running. It is hot.
18. Do not change the engine governor settings or overspeed the engine. Excessive engine speeds are dangerous.
19. Before any maintenance work is performed or adjustments are made, remove the spark plug wire and ground it on the engine block for added safety.
20. Use caution when tilling near buildings and fences. Rotating tines can cause damage or injury.
21. Before attempting to remove rocks, bricks and other objects from tines, stop the engine and be sure the tines have stopped completely. Disconnect the spark plug wire and ground to prevent accidental starting.
22. Check the tine and engine mounting bolts at frequent intervals for proper tightness.
23. Keep all nuts, bolts and screws tight to be sure the equipment is in safe working condition.
24. Never store the equipment with gasoline in the tank inside of a building where fumes may reach an open flame or spark. Allow the engine to cool before storing in any enclosure.

# ASSEMBLY INSTRUCTIONS

**IMPORTANT:** This unit is shipped **WITHOUT GASOLINE OR OIL.** After assembly, see separate engine manual for proper fuel and engine oil recommendations.

**NOTE:** Right and left hand is determined when standing behind the tiller in the operating position.

## TOOLS REQUIRED FOR ASSEMBLY:

- (2) 1/2" Wrenches or Sockets
- (1) 5/16" Wrench or Nutdriver
- (1) 3/8" Wrench
- (1) Pair of Pliers

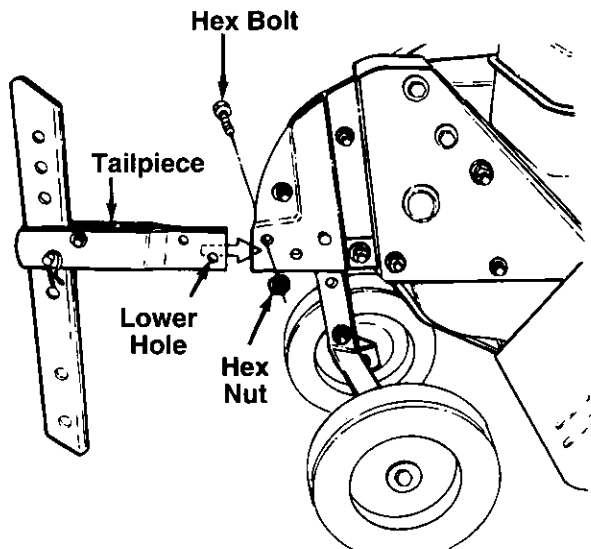


FIGURE 1.

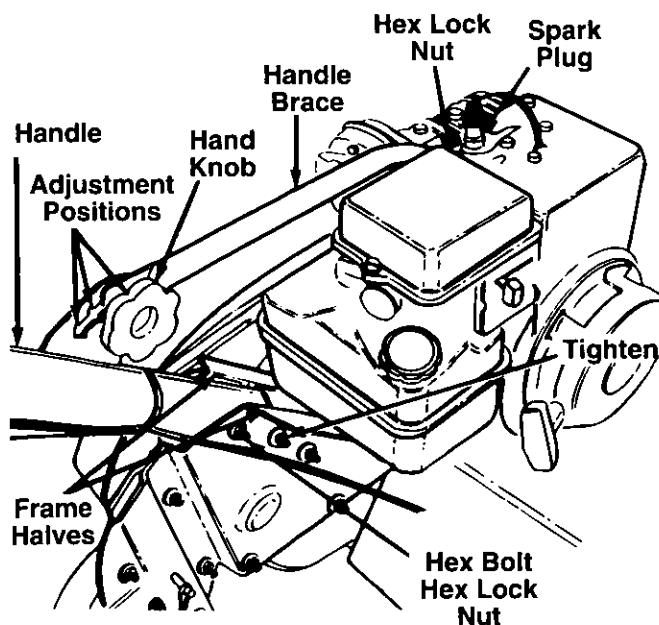


FIGURE 2.

## UNPACKING

Remove the tiller and loose parts from the carton. Make certain all parts and literature have been removed before the carton is discarded.

Extend all control cables and place on the floor. Be careful not to bend or kink control cables.

## Parts in Carton:

- Tiller
- Tailpiece/Depth Stake Assembly
- Handle Assembly
- Handle Brace

All hardware required for assembly has been placed in position on the tiller.

## ATTACHING THE TAILPIECE AND DEPTH STAKE

← (See figure 1)

Remove the two hex lock nuts and hex bolts which are on the front of the tailpiece. Slide the tailpiece into the frame, with the lower hole in the tailpiece toward the front. Secure with hardware just removed.

## ATTACHING THE HANDLE ASSEMBLY AND BRACE

(See figure 2)

1. Remove the hex lock nut and hex bolt from the bottom of the handle assembly.
2. Insert the handle assembly between the two frame halves. Be certain to route the throttle control cable outside the frame halves. Secure with hardware just removed. Tighten the hex bolt and nut on the frame, just below the end of the handle.
3. Remove the hex lock nut from on top of the engine, just behind the spark plug. Do not remove the flat washer. Attach the curved end of the handle brace to the top of the engine, using hex lock nut just removed.
4. Remove the hand knob, cupped washer and carriage bolt from the front of the handle assembly.
5. Attach the handle brace to the handle assembly, selecting one of the three handle height positions (three notches in welded bracket). Secure with hardware removed in step 4 (cupped side of washer goes against the handle brace).

## ATTACHING THE THROTTLE CONTROL CABLE

The throttle control cable is already attached to the upper handle. Attach the cable to the control lever on the engine (located beneath the fuel tank) as follows.

**NOTE:** It is helpful to use a light to illuminate the area beneath the fuel tank.

1. Place the throttle control lever on the handle assembly all the way forward in FAST position.

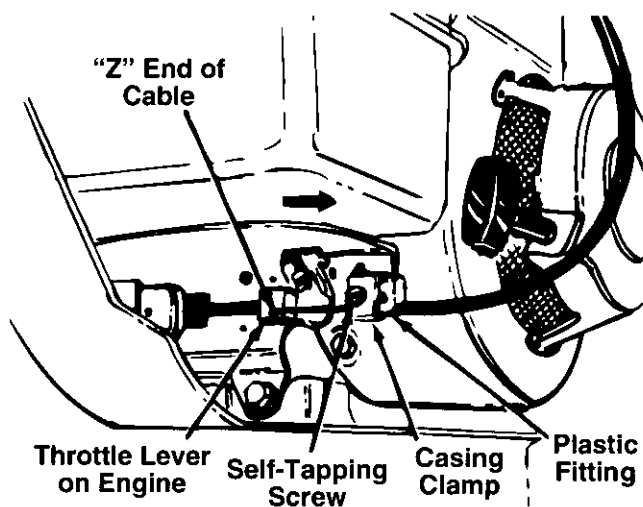


FIGURE 3.

2. Remove the cable clamp shown in figure 3 by removing the self-tapping screw.
3. Hook the "Z" end of the throttle control cable into the hole in the control lever on the engine as shown in figure 3.
4. Place the cable clamp over the plastic fitting on the throttle cable. Secure loosely to engine housing by inserting self-tapping screw through the cable clamp and the slot in the plastic fitting on the throttle control cable.
5. Pull the throttle control cable so the throttle lever on the engine is in the full open position (all the way toward the right side of the unit) as shown in figure 3. Tighten the self-tapping screw to secure the cable in this position.

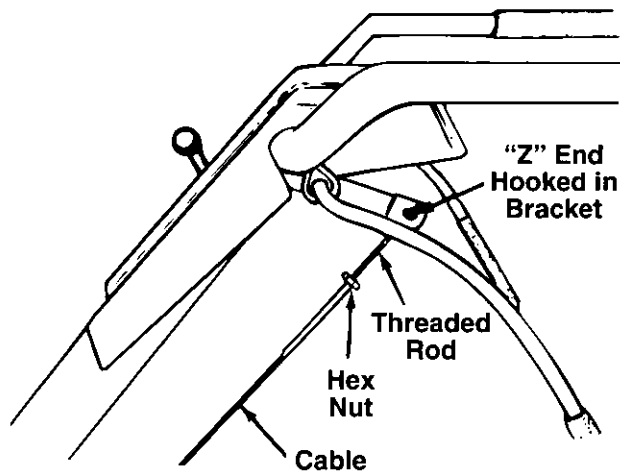


FIGURE 4.

### ATTACHING THE CLUTCH CONTROL CABLE

Attach the end of the clutch cable to the bracket underneath the handle assembly as follows.

1. Loosen the hex nut on the threaded rod near the end of the cable, and move it up the rod as far as it will go.
2. Unthread the rod from the rest of the cable. Hook the "Z" end of the rod into the bracket underneath the handle assembly.
3. Thread the rod back into the cable until the cable is straight. **Do not** tighten it enough to put any tension on the spring.
4. Thread the hex nut down against the end of cable to lock the rod in this position.

**NOTE:** Do not overtighten control cable. Too much tension may cause it to break when engaged.

### FINAL CLUTCH ADJUSTMENT

To check the clutch cable adjustment, proceed as follows.

1. Disconnect the spark plug wire and move away from the spark plug to prevent accidental starting.
2. Engage and release the drive clutch handle. If an excessive noise is heard when releasing the drive clutch handle, the cable may be too loose. Adjust by loosening the hex nut, threading the rod into the cable one or two turns, then tightening the nut.
3. With the forward drive clutch handle in neutral (released), pull the starter rope several times. **The tines should not turn.** If they turn, loosen the hex nut on the cable (beneath the handle assembly). Unthread the rod from the cable several turns. Tighten the hex nut, and check again for correct adjustment.

# CONTROLS

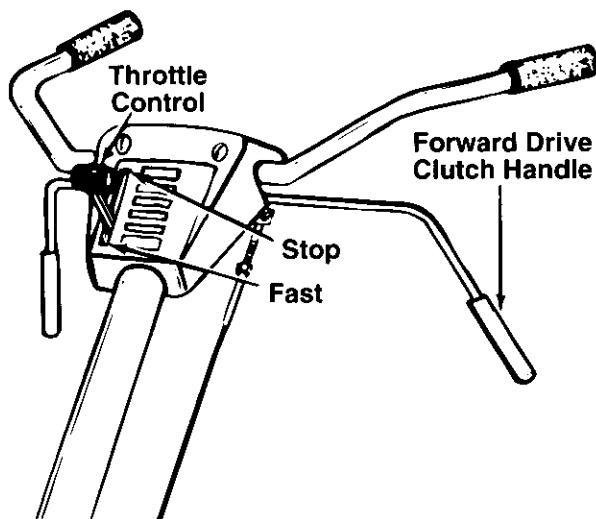


FIGURE 5.

## THROTTLE CONTROL

The throttle control lever is located on the handle panel. It controls the engine speed and stops the engine. See figure 5.

## FORWARD DRIVE CLUTCH HANDLE

The forward drive clutch handle is located beneath the tiller handle. See figure 5. Squeezing the handle up against the tiller handle engages the forward drive. Release the handle to stop the forward motion.

## DEPTH STAKE

The depth stake controls the tilling depth. Refer to "How to Use Your Tiller" section on page 6.

# OPERATION

## GAS AND OIL FILL-UP

Service the engine with gasoline and oil as instructed in the separate engine manual packed with your tiller. **Read instructions carefully.**

**NOTE:** Your tiller is shipped without oil; however, a small amount of oil may be present from the factory.

## TO START ENGINE



**WARNING:** Be sure no one is standing in front of the tiller while the engine is running or being started.

1. Attach spark plug wire and cover to spark plug.
2. Make certain the forward clutch handle is in the neutral position (released). See figure 5.
3. Place the throttle control lever in FAST position. See figure 5.
4. Move choke lever to CHOKE position. (A warm engine requires little or no choking.)
5. Grasp starter handle (see figure 6) and pull rope out slowly until engine reaches start of compression cycle (rope will pull slightly harder at this point). Let the rope rewind slowly.
6. Pull rope with a rapid, continuous, full arm stroke. Keep a firm grip on start handle. Let rope rewind slowly. Do not let starter handle snap back against starter.

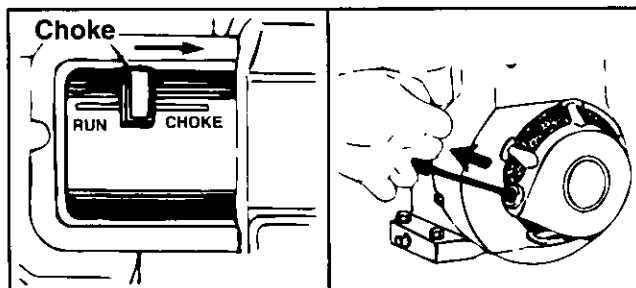


FIGURE 6.

7. Repeat preceding instructions 5 and 6 until engine fires. When engine starts, move choke lever on engine halfway between CHOKE and RUN.
8. Move throttle control to SLOW position for a few minutes warm-up. Move choke lever to RUN position as engine warms up.

**NOTE:** In order to idle smoothly, a new engine may require 3 to 5 minutes running above slow idle speed. Idle speed has been adjusted to be correct after this break-in period.

## TO STOP ENGINE

1. Move throttle control lever to STOP position.
2. Disconnect spark plug wire from spark plug and ground against the engine to prevent accidental starting while equipment is unattended.

# HOW TO USE YOUR TILLER

The tiller is a precision built machine designed for seed bed preparation, cultivating, furrowing and mulching. It is engineered to minimize the hardest work in the vegetable or flower garden, to till the soil for planting and cultivating, and to perform many other useful labor saving tasks in the garden. With the proper amount of care and maintenance, this machine will provide the owner with many years of service.

## WHEEL POSITION

The tiller is shipped with the wheels adjusted such that the unit sits level. During tilling as the tines enter the ground and the front of the tiller lowers, the wheels must be raised to level the unit, which is essential for proper engine operation. This adjustment is made by removing the clevis pin and hairpin clip from wheel yoke, raising the wheels to the desired height, and replacing the clevis pin and hairpin clip. See figure 7.

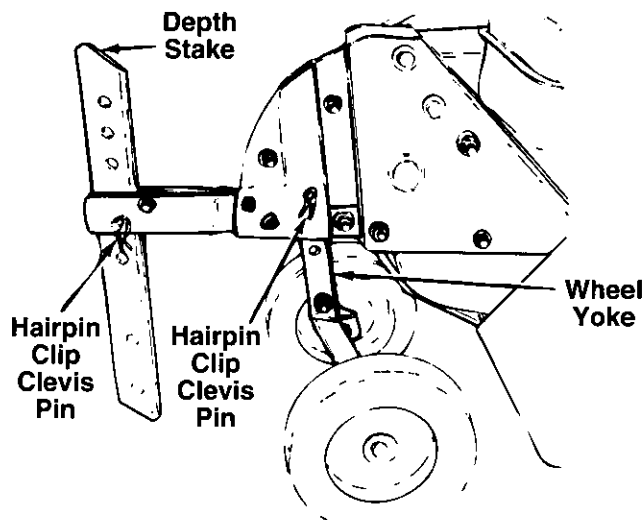
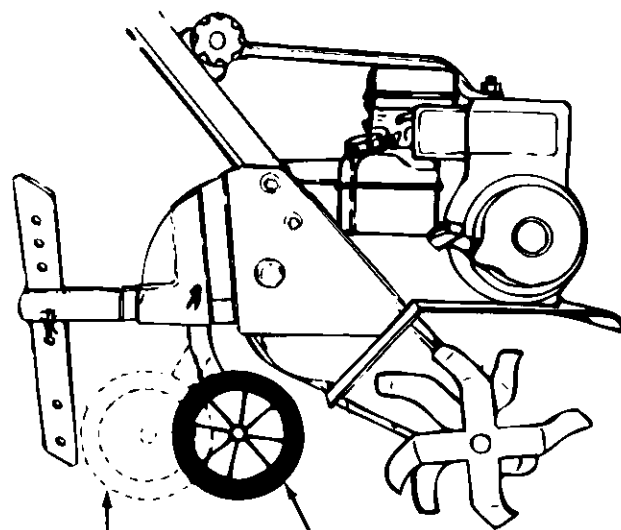


FIGURE 7.

## CONTROLLING SPEED AND TILLING DEPTH:

- 1. Wheel Yoke Adjustment:** Place wheel yoke so that the wheels are forward (nearest point between wheels and tines) for shallow tilling, cultivating and transport. The forward speed will increase. Turn yoke around (farthest point between wheels and tines) for deep tilling. Forward speed will decrease. See figure 8.



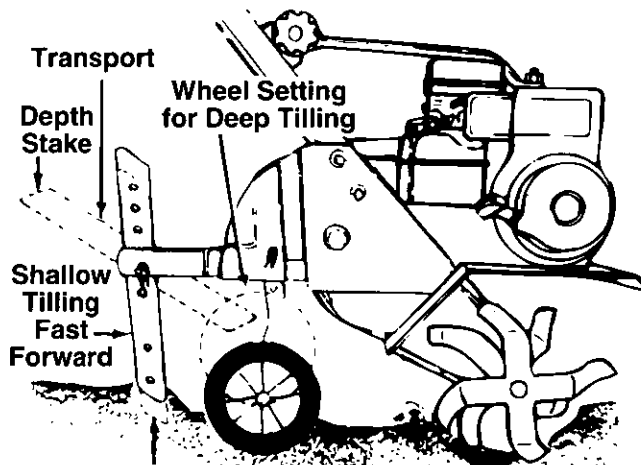
Wheel Yoke in this position for deep tilling

Wheel Yoke in this position for shallow tilling, cultivating and transport

FIGURE 8.

- 2. Depth Stake Adjustment:** The depth stake acts as a brake for the tiller and controls the depth and speed at which the machine will operate. Remove the clevis pin and hairpin clip to raise or lower depth stake. See figure 7.

By increasing the depth of the depth stake, the forward speed of the machine is reduced, and the working depth is increased. See figure 9. When the depth stake is raised, the working depth of the machine is reduced and the forward speed is increased. The working depth of the machine may be predetermined by setting the depth stake and wheels so that the wheels are about four inches from the ground when the tines and depth stake are resting on the ground. This setting will permit a working depth of about four inches. When presetting the working depth, the handles should be adjusted so the hand grips are a little above waist height because the tiller will be lower when the tines and depth stake penetrate the ground.



Deep Tilling Slow Forward

FIGURE 9.

When tilling, leave approximately 8 inches of untilled soil between the first and second tilling paths, then make the third path between the first and second as shown in figure 10. In some soils, the desired depth is obtained the first time over the garden. In other soils, the desired depth is obtained by going over the garden two or three times. In the latter case, the depth stake should be lowered before each succeeding pass over the garden. Passes should be made across the length and width of the garden alternately. Rocks which are turned up should be removed from the garden area.

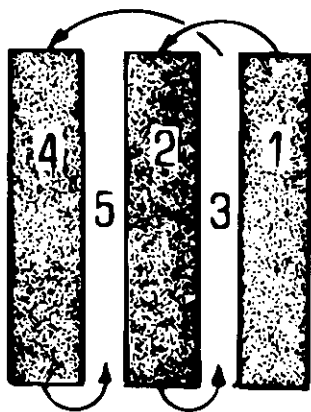


FIGURE 10.

3. **Handle Pressure:** Further control of tilling depth and travel speed can be obtained by variation of pressure on the handles. A downward pressure on the handles will reduce the working depth and increase the forward speed. An upward pressure on the handles will increase the working depth and reduce the forward speed. The type of soil and working conditions will determine the actual setting of the depth stake and the handle pressure required.
4. **Throttle Control:** The throttle control lever adjusts the engine speed and stops the engine. With the throttle control lever pushed completely forward, the carburetor is in START position. Pulling the throttle control back slightly adjusts the engine speed to FAST. Pulling the throttle back further reduces the engine speed to SLOW. Pull the throttle completely back to stop the engine.

Use maximum engine speed for deep tilling. Move the throttle control to SLOW when transporting the tiller.

### TRANSPORTING THE TILLER

To transport the tiller to or from the garden, pivot the depth stake forward, out of the way. See figure 9. With the throttle control in SLOW position, the unit will "walk" freely on top of the lawn. If the operator does not allow the tiller to move freely, the unit will start to till the surface.

### CULTIVATING

For cultivating, a two to three inch depth is desirable. Setting the wheels and depth stake so that the wheels are about two inches above the ground while the tiller is resting on the tines and depth stake will allow the machine to work at cultivating depth. The throttle should be set to control forward movement to a slow walking speed. With the outer tines installed, the working width of the machine is 22 or 24 inches. For cultivation, this may be reduced to 13 inches by removing the outer tines. Refer to "Tine Width Adjustment" in Adjustment section.

When laying out plant rows, be sure to allow enough width to permit cultivation between the rows. In growing corn or similar crops, check-row planting will permit cross cultivation and practically eliminate hand hoeing. See figure 11.

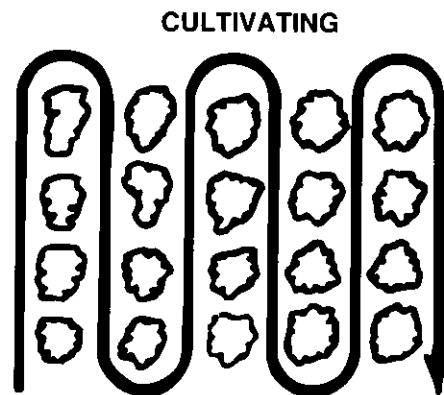


FIGURE 11.

The tiller has many uses other than tilling and cultivating a garden. One of these is the preparation of lawn area for seeding. The tiller will prepare a deep seed bed which will be free of hard untilled spots, allowing a better stand of grass to grow. The tiller is very useful for loosening hard soil for excavation with a shovel. NO tedious hand pickwork will be necessary. Your tiller may be used for mixing compost in the pile, or for mixing it with the soil in your garden. This should be done after the soil has been broken to the full working depth. The compost should be worked in to a depth of six to eight inches. This may be done by working the length of the garden, and then by making separate passes across its width. The addition of decayed organic matter will substantially increase the fertility of your garden. For proper decaying action, fertilizer should be applied and worked in with the mulch materials. Breaking up leaves and straw and mixing it with several inches of soil causes the soil to hold moisture longer and allows proper aeration of the plant root system. This also retards the growth of weeds.

The U.S. Department of Agriculture and various state and local agencies offer published booklets and expert advice on all phases of gardening. They should be consulted regarding soil information, planting dates, and the most satisfactory varieties of crop for your particular area.

---

## ADJUSTMENTS

---



**WARNING:** Disconnect the spark plug wire and ground against the engine before performing any adjustments, repairs, or maintenance.

### WHEEL ADJUSTMENTS

To adjust the wheel yoke and wheel position, refer to "How To Use Your Tiller," on page 6.

### DEPTH STAKE ADJUSTMENT

To adjust the depth stake, refer to "How To Use Your Tiller" on page 6.

### TINE WIDTH ADJUSTMENT

The tilling width of the unit is 22 inches. See figure 12. Tilling width can be increased to 24 inches by removing the clevis pins and hairpin clips, sliding the outer tines out one inch, and securing in this position with the clevis pins and hairpin clips. See figure 13. For cultivation, reduce the tine width to 14 inches by removing the outer tines completely. See figure 14.

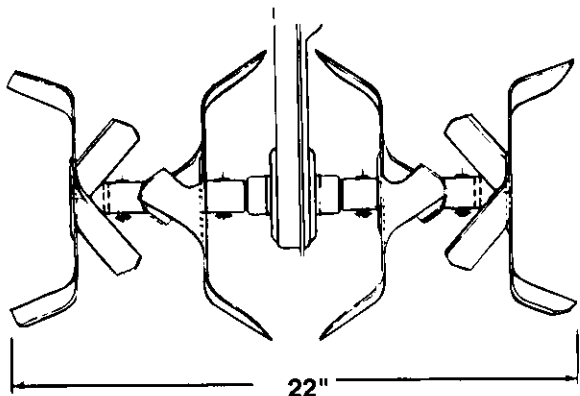


FIGURE 12.

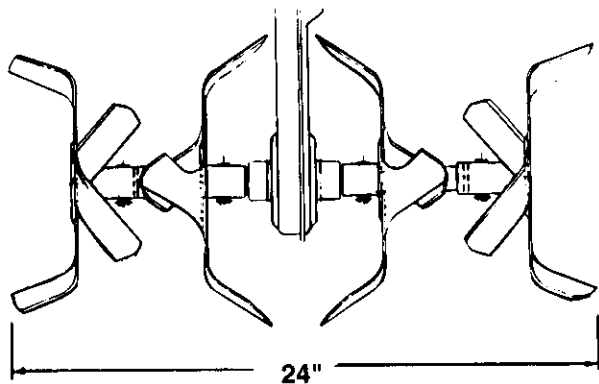


FIGURE 13.

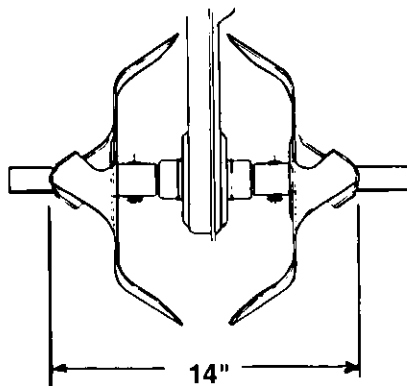


FIGURE 14.

### CLUTCH CONTROL ADJUSTMENT

To adjust the clutch control, refer to the "Final Clutch Adjustment" section of assembly instructions.

### CARBURETOR ADJUSTMENT



**WARNING:** If any adjustments are made to the engine while the engine is running (e.g. carburetor), disengage all clutches and tines. Keep clear of all moving parts. Be careful of heated surfaces and muffler.

Minor carburetor adjustment may be required to compensate for differences in fuel, temperature, altitude or load. If adjustments are needed, refer to the engine manual packed with the tiller.

**NOTE:** A dirty air cleaner will cause engine to run rough. Be certain air cleaner is clean and attached to the carburetor before adjusting carburetor. Do not make unnecessary adjustments. Factory settings are satisfactory for most applications and conditions.

---

## LUBRICATION

---



**WARNING:** Always stop engine and disconnect spark plug wire before cleaning, lubricating or doing any kind of work on tiller.

**Pivot Points**—Remove the belt cover and lubricate all moving parts and pivot points at least once a season using SAE 30 engine oil.

**Chain Drive**—The chain case is pre-lubricated and sealed at the factory. It requires no checking.



# MAINTENANCE



**WARNING:** Disconnect the spark plug wire and ground it against the engine before performing any repairs or maintenance.

## ENGINE

Refer to the separate engine manual for engine maintenance instructions.

Maintain **engine oil** as instructed in the separate engine manual packed with your unit. Read and follow instructions carefully.

Service **air cleaner** every ten hours under normal conditions. Clean every hour under extremely dusty conditions. Poor engine performance and flooding usually indicates that the air cleaner should be serviced. To service the air cleaner, refer to the separate engine manual packed with your unit.

**IMPORTANT:** Never run your engine without air cleaner completely assembled.

The **spark plug** should be cleaned and the gap reset every 25 hours of engine operation. Spark plug replacement is recommended at the start of each tiller season; check engine manual for correct plug type and gap specification.

**Clean the engine** regularly with a cloth or brush. Keep the cooling system (blower housing area) clean to permit proper air circulation which is essential to engine performance and life. Be certain to remove all dirt and combustible debris from muffler area.

## CLEANING THE TINE AREA

Clean the underside of the tine shield after each use. The dirt washes off the tines easier if washed off immediately instead of after it dries.

## BELT REPLACEMENT



**CAUTION:** Do not use an off-the-shelf belt.

Your tiller has been engineered with a belt made of special material (Kevlar Tensile) for longer life and better performance. It should not be replaced with an off-the-shelf belt.

If belt replacement is required, order belt or belts by part number from your nearest authorized dealer. Part No. 754-0428—"V" Belt.

1. Disconnect and ground the spark plug wire against the engine.

2. Remove the belt cover from the left side of the tiller as follows.
  - a. Remove two self-tapping screws and flat washers from the front of belt cover. See figure 15.
  - b. Remove the hex stop nut and flat washer from the side of the belt cover.
3. Remove the belt from the idler pulley and from around the chain case pulley.
4. Loosen the hex bolt which secures the engine pulley. See figure 16. Slide the pulley half out from between the belt keepers. Remove the belt.

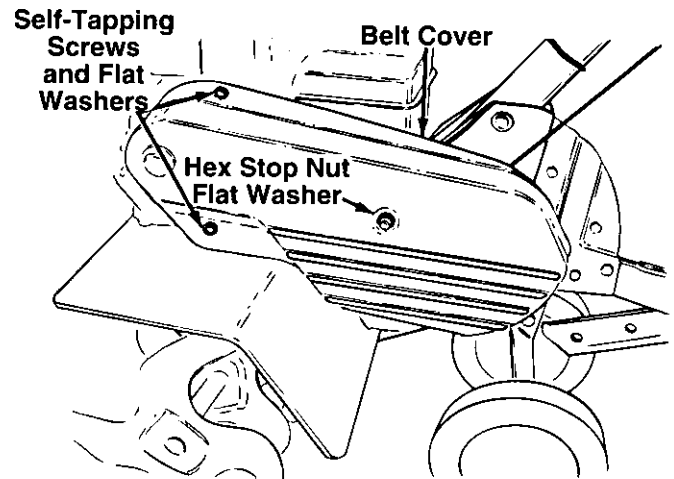


FIGURE 15.

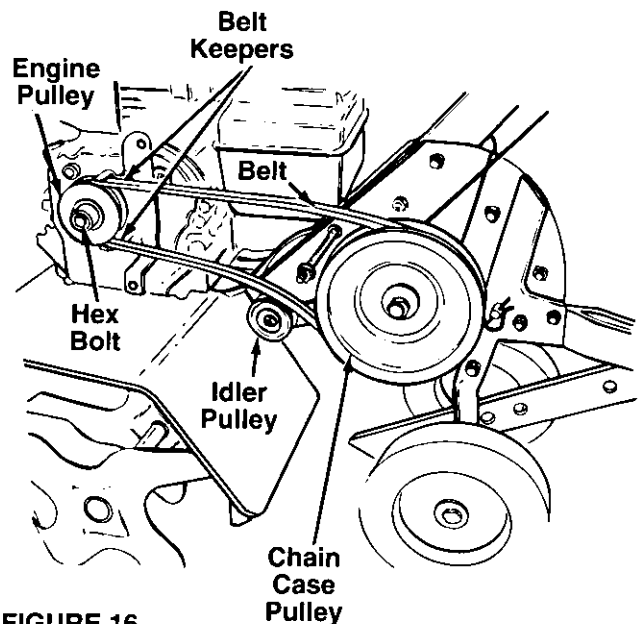


FIGURE 16.

5. Reassemble new belt, following instructions in reverse order.

**NOTE:** Upon reassembly, make certain the belt is routed in between the belt keepers at the engine pulley, and over the idler pulley as shown in figure 16.

# OFF-SEASON STORAGE

If the tiller will not be used for a period longer than 30 days, the following steps should be taken to prepare the tiller for storage.

1. Clean the exterior of engine and the entire tiller thoroughly. Lubricate the tiller as described in the lubrication instructions.
2. Refer to the engine manual for correct engine storage instructions.

3. Wipe tines with oiled rag to prevent rust.
4. Store tiller in a clean, dry area. Do not store next to corrosive materials, such as fertilizer.

**NOTE:** When storing any type of power equipment in an unventilated or metal storage shed, care should be taken to rustproof the equipment. Using a light oil or silicone, coat the equipment, especially any springs, bearings and cables.

## TROUBLE SHOOTING GUIDE

Trouble	Possible Cause(s)	Corrective Action
Engine fails to start	<ol style="list-style-type: none"> <li>1. Fuel tank empty, or stale fuel.</li> <li>2. Throttle control lever not in starting position.</li> <li>3. Blocked fuel line.</li> <li>4. Spark plug wire disconnected.</li> <li>5. Faulty spark plug.</li> <li>6. Engine flooded.</li> </ol>	<ol style="list-style-type: none"> <li>1. Fill tank with clean, fresh gasoline.</li> <li>2. Move throttle lever to start position. †</li> <li>3. Clean fuel line.</li> <li>4. Connect wire to spark plug.</li> <li>5. Clean, adjust gap or replace.</li> <li>6. Crank engine with throttle in FAST position. †</li> </ol>
Engine runs erratic	<ol style="list-style-type: none"> <li>1. Unit running on CHOKE.</li> <li>2. Spark plug wire loose.</li> <li>3. Blocked fuel line or stale fuel.</li> <li>4. Vent in gas cap plugged.</li> <li>5. Water or dirt in fuel system.</li> <li>6. Dirty air cleaner.</li> <li>7. Carburetor out of adjustment.</li> </ol>	<ol style="list-style-type: none"> <li>1. Move choke lever to OFF position.</li> <li>2. Connect and tighten spark plug wire.</li> <li>3. Clean fuel line; fill tank with clean, fresh gasoline.</li> <li>4. Clear vent.</li> <li>5. Drain fuel tank. Refill with fresh fuel.</li> <li>6. Clean air cleaner. †</li> <li>7. Adjust carburetor. †</li> </ol>
Engine overheats	<ol style="list-style-type: none"> <li>1. Engine oil level low.</li> <li>2. Air flow restricted.</li> <li>3. Carburetor not adjusted properly.</li> </ol>	<ol style="list-style-type: none"> <li>1. Fill crankcase with proper oil.</li> <li>2. Remove blower housing and clean. †</li> <li>3. Adjust carburetor. †</li> </ol>
Tines do not engage	<ol style="list-style-type: none"> <li>1. Foreign object lodged in tines.</li> <li>2. Tine clevis pin(s) missing.</li> <li>3. Control cable not adjusted properly.</li> <li>4. Belt worn and/or stretched.</li> </ol>	<ol style="list-style-type: none"> <li>1. Dislodge foreign object.</li> <li>2. Replace tine clevis pin(s).</li> <li>3. Adjust control cable (see assembly instructions).</li> <li>4. Replace belt.</li> </ol>

†Refer to separate engine manual packed with your unit.

NOTE: For repairs beyond the minor adjustments listed above, please contact your local service dealer.

## TWO YEAR LIMITED WARRANTY

For TWO YEARS from the date of retail purchase within the United States of America, its possessions and territories, WHITE OUTDOOR PRODUCTS COMPANY will, at its option, repair or replace, for the original purchaser, free of charge, any part or parts found to be defective in material or workmanship. This warranty covers units which have been operated and maintained in accordance with the owner's instructions furnished with the unit, and which have not been subject to misuse, abuse, neglect, accident, improper maintenance or alteration.

Normal wear parts or components thereof are subject to separate terms as noted below in the "No Fault Ninety Day Consumer Warranty" clause. Commercial use is subject to the terms listed above, and is covered for a period of one year from date of retail purchase.

Two year consumer warranty on normal wear parts with ninety day no fault protection. All normal wear part failures will be covered on this product for a period of 90 days regardless of cause. After 90 days but within the two year warranty period, normal wear parts failures will be covered if caused by defects in material or workmanship or other component parts. Normal wear parts are defined as batteries, belts, blades, blade adapters, grass bags, rider deck wheels, and seats.

**How to obtain service:** Warranty service is available, with proof of purchase, through your local authorized service dealer. To locate the dealer in your area, please check the yellow pages or contact the Customer Service Department of WHITE OUTDOOR PRODUCTS COMPANY, P.O. Box 361131, Cleveland, Ohio 44136-0019. Phone 1 (216) 225-8883. The return of a complete unit will not be accepted by the factory unless prior written permission has been extended by the service department of WHITE OUTDOOR PRODUCTS COMPANY.

**Transportation charges:** Transportation charges for the movement of any power equipment unit or attachment are the responsibility of the purchaser.

**Units exported out of the United States:** WHITE OUTDOOR PRODUCTS COMPANY does not extend any warranty for products sold or exported outside of the United States of America, its possessions and territories, except those sold through WHITE OUTDOOR PRODUCTS COMPANY'S authorized channels of export distribution.

### OTHER WARRANTIES:

1. The engine or component parts thereof carry separate warranties from their manufacturers. Please refer to the applicable manufacturer's warranty on these items.
2. Log splitter pumps, valves and cylinders or component parts thereof are covered by a one year warranty.
3. All other warranties, express or implied, including any implied warranty of merchantability or fitness for a particular purpose, are hereby expressly disclaimed in their entirety.
4. The provisions as set forth in this warranty provide the sole and exclusive remedy of WHITE OUTDOOR PRODUCTS COMPANY'S obligations arising from the sales of its products. WHITE OUTDOOR PRODUCTS COMPANY will not be liable for incidental or consequential loss or damage.

**How state law relates to this warranty:** This limited warranty gives you specific legal rights, and you may also have other rights which vary from state to state. Certain disclaimers are not allowed in some states and therefore they may not apply to you under all circumstances.

**NOTE:** This warranty does not cover routine maintenance items such as lubricants, filters, blade sharpening and tune-ups, or adjustments such as brake adjustments, clutch adjustments or deck adjustments. Nor does this warranty cover normal deterioration of the exterior finish due to use or exposure.

# The Pursuit of Value...



## White Shows the Way!

The only way to insure the performance of your product is to use original equipment parts and accessories. White Outdoor Products designs and engineers quality parts to exacting specifications. When you substitute, you take a chance on quality, reliability, safety and performance. Use White Outdoor Products original equipment parts—See your local White Outdoor dealer.

Engine Oil (SAE 30)	737-0208 (21 oz. req'd.)
Air Filter	491588
Air Pre-Cleaner	491435
Spark Plug	RJ19LM
Throttle Cable	746-0891
Forward Drive Clutch Cable	746-0879
Forward Drive Belt	754-0428
Forward Idler Pulley	756-0199

## Free Manuals Download Website

<http://myh66.com>

<http://usermanuals.us>

<http://www.somanuals.com>

<http://www.4manuals.cc>

<http://www.manual-lib.com>

<http://www.404manual.com>

<http://www.luxmanual.com>

<http://aubethermostatmanual.com>

Golf course search by state

<http://golfingnear.com>

Email search by domain

<http://emailbydomain.com>

Auto manuals search

<http://auto.somanuals.com>

TV manuals search

<http://tv.somanuals.com>