

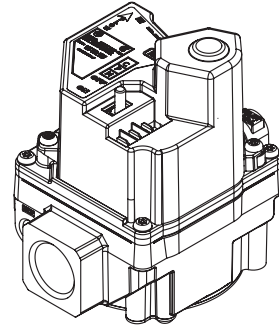
## INSTALLATION INSTRUCTIONS

**FAILURE TO READ AND FOLLOW ALL INSTRUCTIONS CAREFULLY BEFORE INSTALLING OR OPERATING THIS CONTROL COULD CAUSE PERSONAL INJURY AND/OR PROPERTY DAMAGE.**

### DESCRIPTION

The 36H series combination gas valve is designed with redundant and main solenoid valves that control gas flow to the main burners, a pressure regulator to maintain a constant outlet pressure, and a two position on/off switch for electrical shutoff. Model numbers below include features as described:

Model No.	# of Stages	Open Characteristics	Proven Pilot
36H22	1	Fast	NO
36H23	1	Slow	NO
36H32	1	Fast	YES
36H33	1	Slow	YES
36H54	2	Fast	NO
36H55	2	Slow	NO
36H64	2	Fast	YES
36H65	2	Slow	YES



### SPECIFICATIONS

#### Pressure Regulator Setting: (" W.C.)

	Single Stage	Two Stage		
		Low	High	Min Diff. Low to High
Natural Gas	2.5 - 5.0	1.0 - 3.5	2.5 - 5.0	1.5
LP Gas	7.0 - 12.0	4.0 - 9.5	8.0 - 12.0	2.5

**Type of Gas:** Natural Gas  
**Ambient Temperature:** -40° to 175°F  
**Pressure Rating:** 14" W.C. (½ PSI) max.  
**Voltage:** 24 VAC  
**Frequency:** 50/60 Hz  
**Current:** Single Stage - .410A  
 Two-Stage - .540A

#### PIPE SIZES/CAPACITIES

Pipe Sizes Available (inches)	Capacity (BTU/hr) at 1" pressure drop across valve	
	AGA Std. Nat. Gas (1,000 btu/cu. ft.)	LP. Gas (2,500 btu/cu. ft.)
3/4" x 3/4" NPT	300,000	486,000
1/2" x 3/4" NPT	260,000	421,000
1/2" x 1/2" NPT	170,000	275,400

#### MOUNTING POSITIONS:

Upright, or 0° to 90° from upright

UPRIGHT

LEFT or RIGHT

INLET BOSS VERTICAL

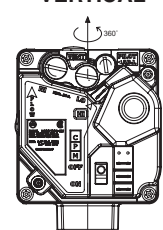
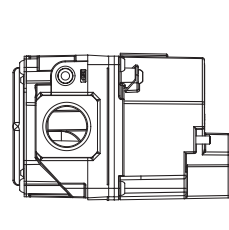
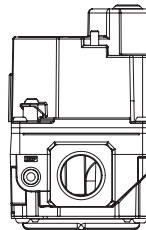


Figure 1. Gas valve mounting positions

### CONTENTS

Description .....	1
Specifications .....	1
Precautions .....	2
Installation .....	3
System Wiring	
Adjustment .....	4
Pressure Regulator Adjustment	
Lighting Instructions .....	6

## PRECAUTIONS

# DO NOT BEGIN INSTALLATION UNTIL YOU READ THE FOLLOWING PRECAUTIONS.



### WARNING



If you do not follow these instructions exactly, a fire or explosion may result, causing property damage, personal injury or loss of life.

1. Failure to turn off electric or main gas supply to heating system could cause personal injury and/or property damage by shock, gas suffocation, fire, and/or explosion.
2. Do not use this control on circuits exceeding specified voltage. Higher voltage will damage the control and may cause shock or fire hazard.
3. NEVER USE FLAME OR ANY KIND OF SPARK TO CHECK FOR GAS LEAKS—COULD CAUSE FIRE AND/OR EXPLOSION.
4. DO NOT USE WIRE JUMPER on pilot systems, such as standing pilot, proven pilot, or spark-to-pilot ignition—a fire and/or explosion may result.
5. Do not use a control set for natural gas with LP gas, or a control set for LP gas with natural gas. Personal injury and/or property damage, gas suffocation, fire, and/or explosion may result.
6. Do not use a gas valve which appears to be damaged. A damaged valve may cause personal injury and/or property damage due to shock, gas suffocation, fire and/or explosion. Contact supplier to replace any valve that appears to have been damaged.
7. Do not use a gas valve that has been in direct contact with water. Water entering gas valve may result in concealed internal damage to gas valve. Personal injury and/or property damage, gas suffocation, fire and/or explosion may result.



### WARNING

Properly install gas piping to control.

- Do not remove protective inlet or outlet caps until ready to connect supply pipe to gas valve.
- Use new supply pipe, properly threaded, reamed, de-burred, and cleaned.
- Use backup wrench, applied only to provided wrench flats on inlet boss, when tightening the supply pipe. Do not grip bracket, solenoid or any other part of control.
- Do not over-tighten pipe to control (50ft-lbs max.)
- Always install sediment trap in the gas supply line to prevent contamination of gas valve.

Failure to install properly can cause gas leakage resulting in injury due to fire or explosion.



### CAUTION

1. Do not short out terminals on gas valve or primary control to test. Short or incorrect wiring can cause equipment damage, property damage, and/or personal injury.
2. This control is not intended for use in locations where it may come in direct contact with water. Suitable protection must be provided to shield the control from exposure to water (dripping, spraying, rain, etc.).
3. Clean gas piping of contaminants, cutting fluid, or other chemicals which might react harmfully with the gas valve components before install.

# INSTALLATION

## MAIN PIPING CONNECTIONS

### NOTE

Refer to warnings and cautions on page 2 before attempting installation. All piping must comply with local codes, ordinances, and/or national fuel gas codes.

1. Turn off electrical power to the system at the fuse box or circuit breaker. Also turn off the main gas supply.
2. If replacing an existing valve, disconnect all plumbing and electrical connections from the old control.
3. This valve may be installed upright, + or - 90° from upright, or vertical (refer to figure 1). The arrows on the valve identification label and on the bottom plate indicate direction of gas flow through the valve.
4. You should use new pipe that is properly chamfered, reamed, and free of burrs and chips. If you are using old pipe, be sure it is clean and free of rust, scale, burrs, chips, and old pipe joint compound.
5. Apply pipe joint compound (pipe dope) or teflon tape **that is approved for all gases, only to the male threads of the pipe joints. DO NOT** apply compound or teflon tape to the first two threads (see fig. 3 for typical piping connections).
6. Do not tighten piping excessively, as this may damage the valve (50ft lbs max).
7. See **SYSTEMWIRING** when making electrical connections. After all gas and electrical connections are completed, turn gas on and check for gas leaks with leak detection solution or soap suds. Bubbles forming indicate a leak. **SHUT OFF GAS AND FIX ALL LEAKS IMMEDIATELY.**

## PILOT GAS CONNECTION MODELS 36H3X AND 36H6X REQUIRE A PILOT CONNECTION.

Loosen the pilot fitting until it is finger-tight.

Insert clean, deburred tubing all the way through the fitting. While holding the tubing securely, slowly tighten fitting until you feel a slight "give". Tighten the fitting an additional 1 1/2 turns.

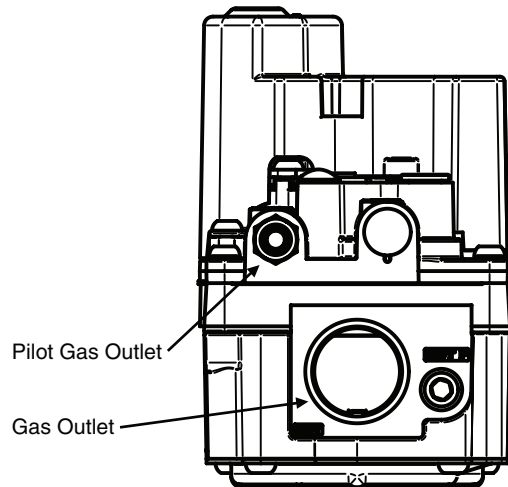


Figure 2. gas valve outlet end

### NOTE

All piping must comply with local codes, ordinances, and/or national fuel gas codes.

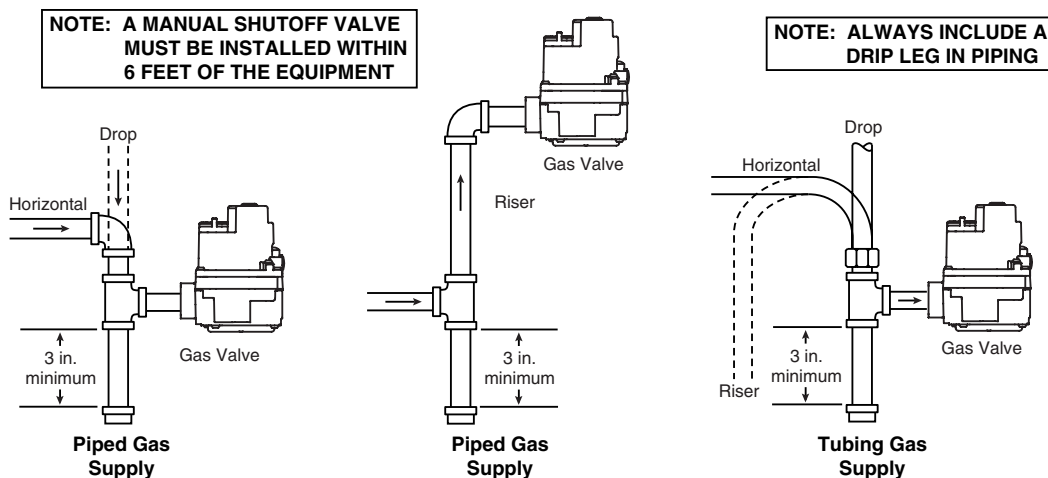


Figure 3. typical gas valve piping

# INSTALLATION

## SYSTEM WIRING

REFER TO AND FOLLOW THE APPLIANCE MANUFACTURER'S WIRING DIAGRAM. REFER TO FIG. 4 FOR TERMINAL IDENTIFICATION.

## NOTE

All wiring should be installed in accordance with local and national electrical codes and ordinances.

Always check that the electrical power supply used agrees with the voltage and frequency shown on the gas control.

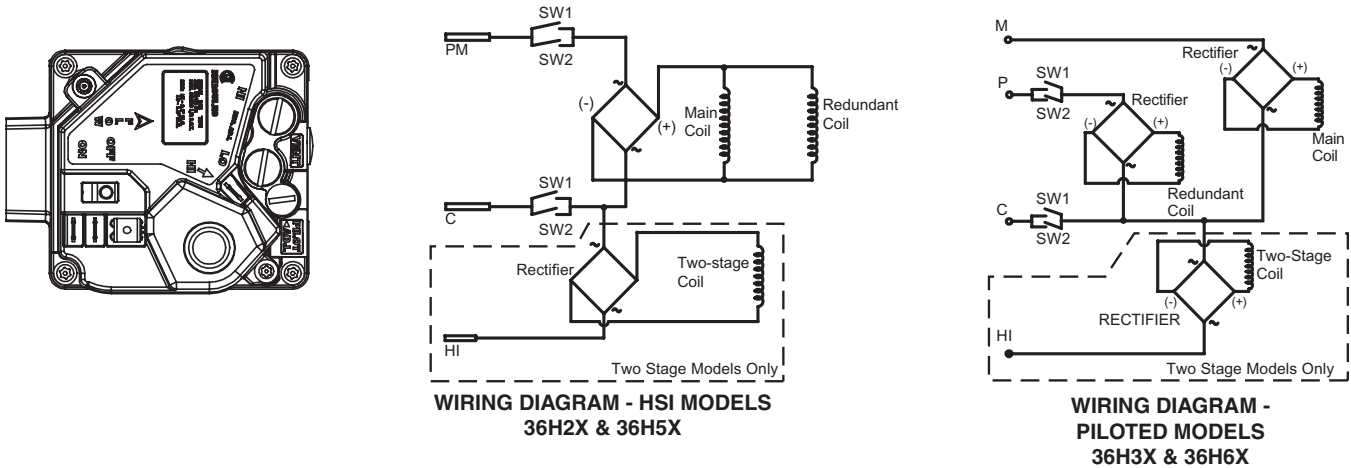


Figure 4. System Wiring

# ADJUSTMENT

## PRESSURE REGULATOR ADJUSTMENT

These controls are shipped from the factory with the regulator set as specified on the control label. Consult the appliance rating plate to ensure burner manifold pressure is as specified. If another outlet pressure is required, follow these steps.

## NOTE

**Natural Gas: Two-Stage Models** - Low outlet pressure will be factory-adjusted in the 1 to 3.5" W.C. range and high outlet pressure will be factory-adjusted in the 2.5 to 5" range. The valve cannot be adjusted outside this range and the high outlet pressure setting must always be set at least 1.5" above the low outlet pressure setting.

**Single Stage Models**- Outlet pressure will be factory-adjusted in the 2.5" to 5" range. The valve cannot be adjusted outside this range.

**LP Gas: Two-Stage Models** - Low outlet pressure will factory-adjusted in the 4" to 9.5" W.C. range and high outlet pressure will be adjusted in the 8 to 12" W.C. range. The valve cannot be adjusted outside this range and the high outlet pressure setting must always be set at least 2.5" above the low outlet pressure setting.

**Single Stage Models** - Outlet pressure will be factory-adjusted in the 7 to 12" range. The valve cannot be adjusted outside this range.

# ADJUSTMENT

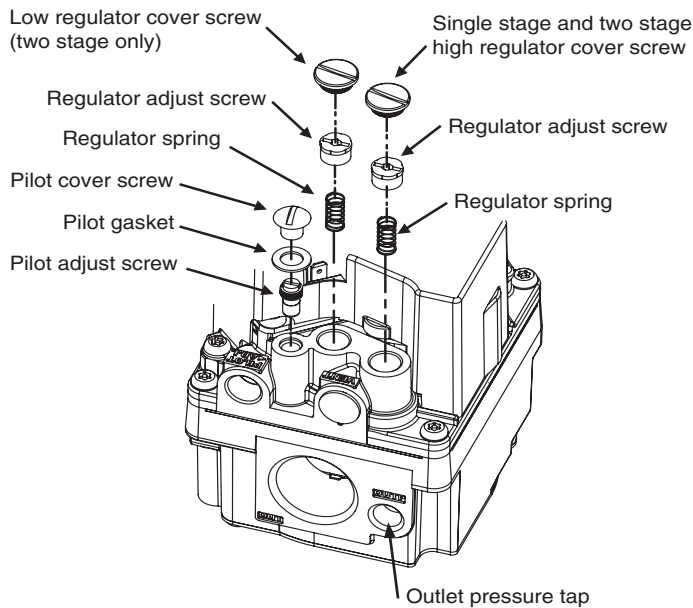


Figure 5. Pressure Adjustment

## OUTLET PRESSURE ADJUSTMENT

1. Turn off all electrical power to the system.
2. Remove plug and install hose barb fitting and manometer to pressure tap on outlet end of valve. See fig. 5.
3. Turn on system power. Set thermostat to call for heat (low stage for two-stage systems). Main burner should light. Proceed to step 6 for single stage systems.
4. (2-stage only) Remove regulator cover screw from the low outlet pressure regulator adjust tower (fig. 5) and turn screw clockwise (↻) to increase pressure, or counterclockwise (↺) to decrease pressure. Always adjust regulator according to original equipment manufacturer's specifications listed on the appliance rating plate. Replace regulator cover screw.
5. (2-stage only) Set thermostat to call for high stage.
6. Remove regulator cover screw from the single stage or high outlet pressure regulator adjust tower (fig. 5) and turn screw clockwise (↻) to increase pressure, or counterclockwise (↺) to decrease pressure. Always adjust regulator according to original equipment manufacturer's specifications listed on the appliance rating plate. Replace regulator cover screw.

7. Turn off all electrical power to the system.
8. Remove manometer hose and fitting from outlet pressure tap.
9. Replace outlet pressure tap plug and tighten (clockwise 40-60 in-lb.)
10. Turn on system power and set thermostat to call for heat.
11. Using a leak detection solution or soapsuds, check for leaks at pressure tap plug. Bubbles forming indicate a leak. SHUT OFF GAS AND FIX ALL LEAKS IMMEDIATELY.

## PILOT FLAME ADJUSTMENT

(Models 36H3X and 36H6X only)

If the pilot flame is low and does not engulf the bulb of the mercury flame sensor, the system will not energize the main valve. If pilot gas pressure is too high, gas will sputter past the ignition electrode, and may not ignite. High pilot gas pressure may also cause the flame to lift off the burner, causing the flame sensor bulb to sense "low" heat.

To adjust the pilot gas pressure, remove the cover screw (See fig. 5). **To REDUCE pilot pressure**, turn the pilot adjust screw (beneath the cover screw) clockwise (↻). **To INCREASE pilot pressure**, turn the pilot adjust screw counterclockwise (↺). Replace and tighten cover screw.

## NOTE

For gas to gas conversion, consult your dealer for appropriate conversion kit.

# LIGHTING INSTRUCTIONS

## FOR YOUR SAFETY READ BEFORE OPERATING



### WARNING



If you do not follow these instructions exactly, a fire or explosion may result, causing property damage, personal injury or loss of life.

A. **HSI MODELS:** This appliance does not have a pilot. It is equipped with an ignition device which automatically lights the burner. Do **not** try to light the burner by hand.

**PROVEN PILOT MODELS:** This appliance is equipped with an intermittent ignition device which automatically lights the appliance. Do not try to light the pilot by hand.

B. **BEFORE OPERATING** smell all around the appliance area for gas. Be sure to smell next to the floor because some gas is heavier than air and will settle on the floor.

### FOR YOUR SAFETY "WHAT TO DO IF YOU SMELL GAS"

- Do not try to light any appliance.
- Do not touch any electrical switch; do not use any phone in your building.

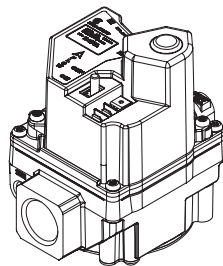
- **Immediately call your gas supplier from a neighbor's phone. Follow the gas supplier's instructions.**
- **If you cannot reach your gas supplier, call the fire department.**

C. Use only your hand to move the gas control switch. **Never use tools.** If the switch will not move by hand, don't try to repair it, call a qualified service technician. Force or attempted repair may result in a fire or explosion.

D. Do not use this appliance if any part has been under water. Immediately call a qualified service technician to inspect the appliance and to replace any part of the control system and any gas control which has been under water.

## OPERATING INSTRUCTIONS

1. **STOP!** Read the safety information above on this label.
2. Set the thermostat to lowest setting.
3. Turn off all electric power to the appliance.
4. **HSI MODELS:** This appliance is equipped with an ignition device which automatically lights the burner. Do **not** try to light the burner by hand.



5. **PROVEN PILOT MODELS:** This appliance is equipped with an ignition device which automatically lights the pilot. Do **not** try to light the burner by hand.

6. Remove control access panel.
7. Wait five (5) minutes to clear out any gas. If you then smell gas, STOP! Follow "B" in the safety information above on this label. If you don't smell gas, go to the next step.

8. Push gas control switch to "ON."

NOTE: Do not force.

9. Replace control access panel.
10. Turn on all electric power to the appliance.
11. Set thermostat to desired setting.
12. If the appliance will not operate, follow the instructions "To Turn Off Gas To Appliance" and call your service technician or gas supplier.

## TO TURN OFF GAS TO APPLIANCE

1. Set the thermostat to lowest setting.
2. Turn off all electric power to the appliance if service is to be performed.
3. Remove control access panel.
4. Push gas control switch to "OFF." **Do not force.**
5. Replace control access panel.

White-Rodgers is a division of Emerson Electric Co.

The Emerson logo is a trademark and service mark of Emerson Electric Co.

White  
Rodgers™

[www.white-rodgers.com](http://www.white-rodgers.com)

[www.emerson.com](http://www.emerson.com)


Download from [Www.Somanuals.com](http://Www.Somanuals.com). All Manuals Search And Download.

  
**EMERSON**  
Climate Technologies



**PARA SU SEGURIDAD LEA ANTES DE USAR**

**!ADVERTENCIA!**

 Si no sigue estas instrucciones al pie de la letra, puede producirse un incendio o una explosión y, como consecuencia, daños materiales, lesiones personales o la pérdida de vidas.

ningún teléfono en su edificio.

- Llame inmediatamente a su proveedor de gas desde el teléfono de un vecino. Siga las instrucciones del proveedor de gas.
- Si no logra contactarse con su proveedor de gas, llame a los bomberos.

- C. Utilice sólo la mano para mover el interruptor de control de gas. **No utilice herramientas en ningún caso.** Si el interruptor no se mueve a mano, no intente repararlo. Llame a un técnico calificado. El uso de fuerza o cualquier intento de reparación pueden producir un incendio o una explosión.
- D. No utilice este artefacto si alguna parte ha estado bajo el agua. Llame inmediatamente a un técnico de servicio calificado para que inspeccione el artefacto y cambie las partes del sistema de control y cualquier control de gas que haya estado bajo el agua.

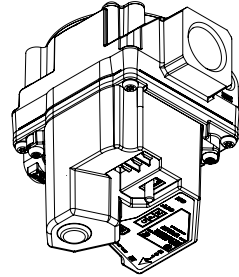
**PARA SU SEGURIDAD**

**“QUE HACER SI HUELE GAS”**

- A. **MODELOS HSI:** Este artefacto no tiene piloto. Cuenta con un dispositivo de encendido que enciende automáticamente el quemador. **No intente** encender el quemador a mano.
- MODELOS CON PILOTO PROBADO:** Este artefacto cuenta con un dispositivo de encendido intermitente que enciende automáticamente el artefacto. No intente encender el piloto a mano.
- B. **ANTES DE UTILIZAR** el artefacto huela a su alrededor para detectar si hay olor a gas. Asegúrese de oler también al ras del suelo ya que algunos gases son más pesados que el aire y se depositan sobre el suelo.
- **No intente encender ningún artefacto.**
- **No toque ningún interruptor eléctrico. No utilice**

**INSTRUCCIONES DE USO**

1. **!ALTO!** Lea la información de seguridad que se encuentra arriba de esta etiqueta.
2. Ajuste el termostato al valor más bajo.
3. Apague toda la alimentación eléctrica al artefacto.
4. **MODELOS HSI:** Este artefacto cuenta con un dispositivo de encendido que enciende automáticamente el quemador. **No intente** encender el quemador a mano.



5. **MODELOS CON PILOTO PROBADO:** Este artefacto cuenta con un dispositivo de encendido que enciende automáticamente el piloto. **No intente** encender el quemador a mano.
6. Retire el panel de acceso del control.
7. Espere cinco (5) minutos para eliminar el gas. Si huele gas, ¡**DETFENGASE!** Siga el punto “B” de la información de seguridad que se encuentra arriba de esta etiqueta. Si no huele gas, continúe con el paso siguiente.
8. Coloque el interruptor del control de gas en “ON”. **NOTA:** no lo fuerce.
9. Vuelva a colocar el panel de acceso del control.
10. Encienda toda la alimentación eléctrica al artefacto.
11. Ajuste el termostato al valor deseado.
12. Si el artefacto no funciona, siga las instrucciones de la sección “Para apagar el gas que llega al artefacto” y llame a su técnico o proveedor de gas.

**PARA APAGAR EL GAS QUE LLEGA AL ARTEFACTO**

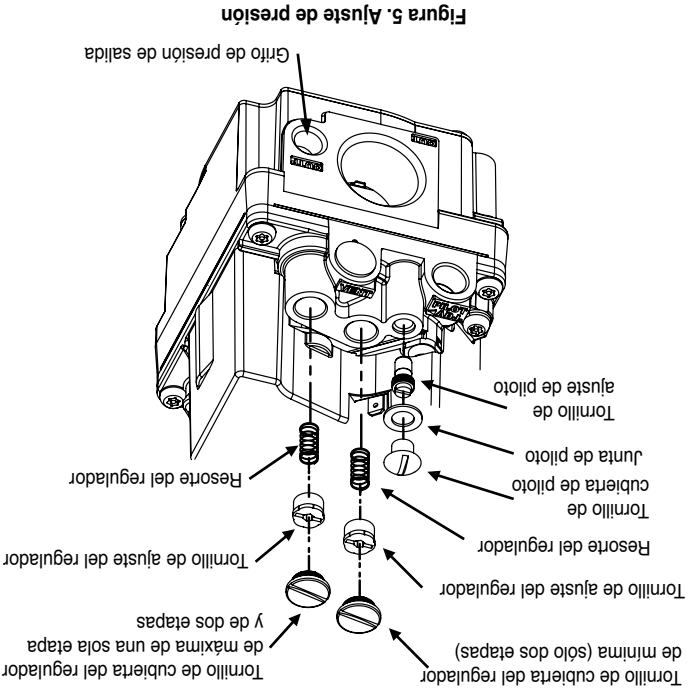
1. Ajuste el termostato al valor más bajo.
2. Apague toda la alimentación eléctrica al artefacto si debe realizar alguna tarea de reparación.
3. Retire el panel de acceso del control.
4. Coloque el interruptor del control de gas en “OFF”. **No lo fuerce.**
5. Vuelva a colocar el panel de acceso del control.

White-Rodgers es una división de Emerson Eléctric Co.  
El logotipo de Emerson es una marca comercial y una marca de servicio de Emerson Eléctric Co.

**White**  
**Rodgers**  
www.white-rodgers.com  
www.emerson.com

**EMERSON**  
Climate Technologies

5. (sólo 2 etapas) Ajuste el termostato para una llamada de etapa alta.  
Retire el tornillo de la cubierta del regulador desde la torre de ajuste de presión de salida máxima o de una sola etapa (fig. 5) y gire el tornillo en el sentido de las agujas del reloj (↻) para aumentar la presión, o en sentido contrario a las agujas del reloj (↺) para reducirla. Ajuste siempre el regulador de acuerdo con las especificaciones del fabricante del equipo original indicadas en la placa de especificaciones del artefacto. Vuelva a colocar el tornillo de la cubierta del regulador.  
7. Apague toda la alimentación eléctrica al sistema.  
8. Retire la manguera del manómetro y el conector del grifo de presión de salida.  
9. Vuelva a colocar el tapón del grifo de presión de salida (ib.)  
10. Encienda la alimentación al sistema y ajuste el termostato para una llamada de calor.  
11. Utilizando una solución de detección de pérdidas o espuma de jabón, verifique que no haya pérdidas en el tapón del grifo de presión. La formación de burbujas indica una pérdida. CIERRE EL GAS Y REPARE LAS PÉRDIDAS INMEDIATAMENTE.
- ## AJUSTE DE LA LLAMA DEL PILOTO
- (Sólo modelos 36H3X y 36H6X)
- Si la llama del piloto está baja y no encierra completamente el bulbo del sensor de llama de mercurio, el sistema no energizará la válvula principal. Si la presión del gas del piloto es demasiado alta, el gas pasará de largo el electrodo de encendido y es posible que no lo encienda. Si la presión de gas del piloto es alta, también puede hacer que la llama levante el quemador y que el bulbo del sensor de la llama detecte calor "bajo".



### AJUSTE DE PRESIÓN DE SALIDA

1. Apague toda la alimentación eléctrica al sistema.
2. Retire el tapón e instale el conector de pua de la manguera y el manómetro al grifo de presión en el extremo de salida de la válvula. Vea la figura 5.
3. Encienda la alimentación al sistema. Ajuste el termostato para una llamada de calor (etapa baja para sistemas de dos etapas). El quemador principal debería encenderse. Siga con el paso 6 para sistemas de una sola etapa. (sólo 2 etapas) Retire el tornillo de la cubierta del regulador desde la torre de ajuste del regulador de presión de salida de mínima (fig. 5) y gire el tornillo en el sentido de las agujas del reloj (↻) para aumentar la presión, o en sentido contrario a las agujas del reloj (↺) para reducirla. Ajuste siempre el regulador de acuerdo con las especificaciones del fabricante del equipo original indicadas en la placa de especificaciones del artefacto. Vuelva a colocar el tornillo de la cubierta del regulador.

Para la conversión gas a gas, consulte a su distribuidor sobre el kit de conversión adecuado.

## NOTA

Para ajustar la presión del gas del piloto, retire el tornillo de la cubierta (vea la fig. 5). **Para REDUCIR la presión del piloto**, gire el tornillo de ajuste del piloto (debajo del tornillo de la cubierta) en el sentido de las agujas del reloj (↺):

**Para AUMENTAR la presión del piloto**, gire el tornillo de ajuste del piloto en sentido contrario a las agujas del reloj (↻): Vuelva a colocar el tornillo de la cubierta y ajústelo.

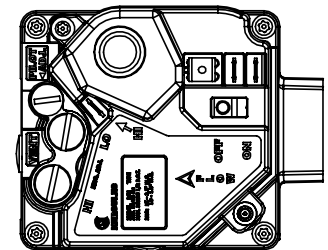


CONEXIONES ELÉCTRICAS

REFÉRIASE AL DIAGRAMA DE CONEXIONES DEL FABRICANTE DEL ARTEFACTO. REFÉRIASE A LA FIGURA 4 PARA LA IDENTIFICACIÓN DE LAS TERMINALES.

Todas las conexiones deben realizarse de conformidad con las normas y leyes eléctricas locales y nacionales. Verifique siempre que el suministro de alimentación eléctrica utilizado concuerde con el voltaje y la frecuencia indicados en el control de gas.

**NOTA**



MODELOS HSI  
36H2X y 36H5X

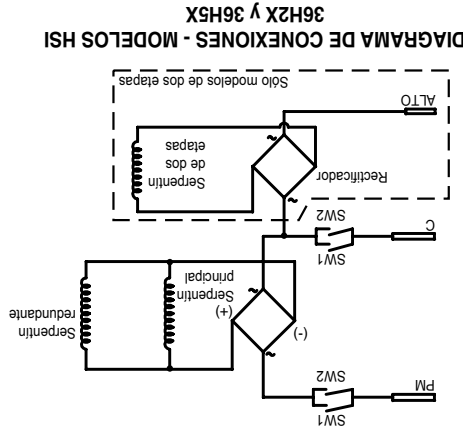
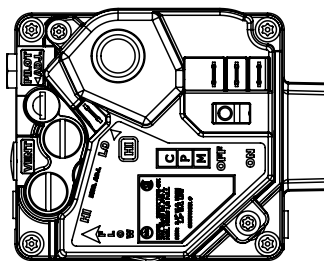


DIAGRAMA DE CONEXIONES - MODELOS HSI  
36H2X y 36H5X



MODELOS CON PILOTO  
36H3X y 36H6X

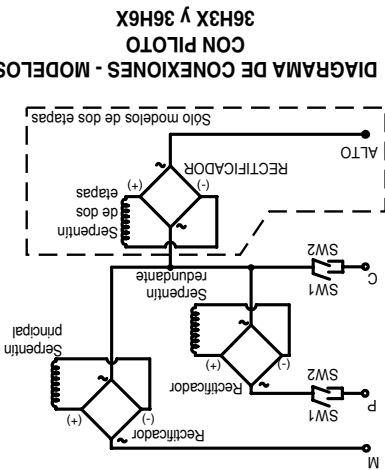


DIAGRAMA DE CONEXIONES - MODELOS  
CON PILOTO  
36H3X y 36H6X

Figura 4. Conexiones eléctricas

AJUSTE

AJUSTE DE REGULADOR DE PRESIÓN

Estos controles se envían de fábrica con el regulador ajustado según lo especificado en la etiqueta del control. Consulte la placa de especificaciones del artefacto para asegurarse de que la presión del múltiple del quemador sea la especificada. Si se requiere otra presión de salida, siga los pasos indicados a continuación.

**NOTA**

**Gas natural: modelos de dos etapas** - La presión de salida mínima viene ajustada de fábrica en el rango de 1 pulg. a 3.5 pulg. W.C. y la máxima en el rango de 2.5 pulg. a 5 pulg. La válvula no puede ajustarse fuera de este rango y el ajuste de la presión de salida máxima siempre debe estar al menos 1.5 pulg. por encima de la presión de salida mínima.

**Modelos de una sola etapa** - La presión de salida viene ajustada de fábrica en el rango de 7 pulg. a 12 pulg. La válvula no puede ajustarse fuera de este rango.

**Gas de petróleo licuado: modelos de dos etapas** - La presión de salida mínima viene ajustada de fábrica en el rango de 4 pulg. a 9.5 pulg. W.C. y la máxima en el rango de 8 pulg. a 12 pulg. W.C. La válvula no puede ajustarse fuera de este rango y el ajuste de la presión de salida máxima siempre debe estar al menos 2.5 pulg. por encima de la presión de salida mínima.

**Modelos de una sola etapa** - La presión de salida viene ajustada de fábrica en el rango de 2.5 a 5 pulg. La válvula no puede ajustarse fuera de este rango.

CONEXIONES DE LAS TUBERÍAS PRINCIPALES

**NOTA**

todas las conexiones de gas y eléctricas, encienda el gas y verifique que no haya pérdidas con solución de detección y jabón. La formación de burbujas indica una pérdida. **CIERRE EL GAS Y REPARE LAS PÉRDIDAS INMEDIATAMENTE.**

**CONEXIÓN PARA GAS CON PILOTO**  
**LOS MODELOS 36H3X Y 36H6X REQUIEREN UNA CONEXIÓN CON PILOTO.**

Afije el conector del piloto hasta que quede bien ajustado a mano.  
 Introduzca un tubo limpio sin rebaba hasta el final del conector. Mientras sostiene el tubo con firmeza, ajuste lentamente el conector hasta que sienta que cede ligeramente. Ajuste el conector girándolo una vuelta y media más.

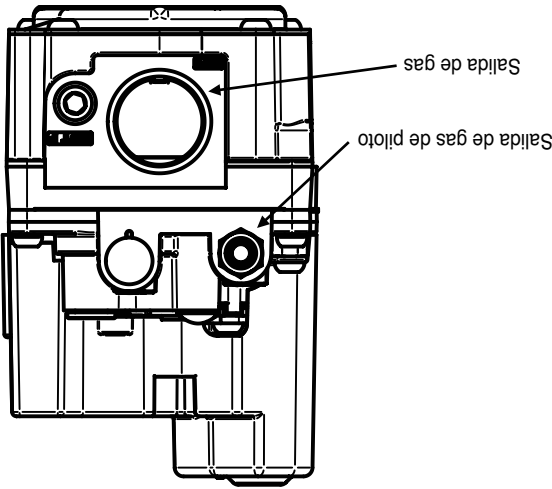


Figura 2. Extremo de la salida de la válvula de gas

Refiérase a las advertencias y precauciones de la página 2 antes de realizar la instalación. Todas las tuberías deben cumplir con las normas y leyes locales y/o con las normas relativas al gas combustible nacionales.

1. Apague la alimentación eléctrica al sistema en la caja de fusibles o en el disyuntor. Apague también el suministro de gas principal.
2. Si cambia una válvula existente, desconecte todas las tuberías y conexiones eléctricas del control viejo.
3. Esta válvula puede instalarse en posición recta, + o - 90° respecto de la posición recta, o en posición vertical (refiérase a la figura 1). Las flechas de la etiqueta de identificación de la válvula y de la placa inferior indican la dirección del flujo de gas a través de la válvula.
4. Se recomienda utilizar tuberías nuevas debidamente biseladas, fresadas y libres de rebaba y astillas. Si utiliza tuberías viejas, asegúrese de que estén limpias y libres de óxido, sedimentos, rebaba, astillas y compuesto sellador viejo.
5. Aplique compuesto sellador para tuberías o cinta de teflón **aprobada para todos los tipos de gases, sólo a las roscas macho de las uniones. NO** aplique compuesto ni cinta de teflón a las primeras dos rosas (vea en la fig. 3 las conexiones de tuberías típicas).
6. No ajuste las tuberías de forma excesiva, ya que podría dañar la válvula (50 pies/lbs máx).
7. Vea la sección **CONEXIONES ELÉCTRICAS** para realizar las conexiones correspondientes. Una vez realizadas

**NOTA**

Todas las tuberías deben cumplir con las normas y leyes locales y/o con las normas relativas a gas combustible nacionales.

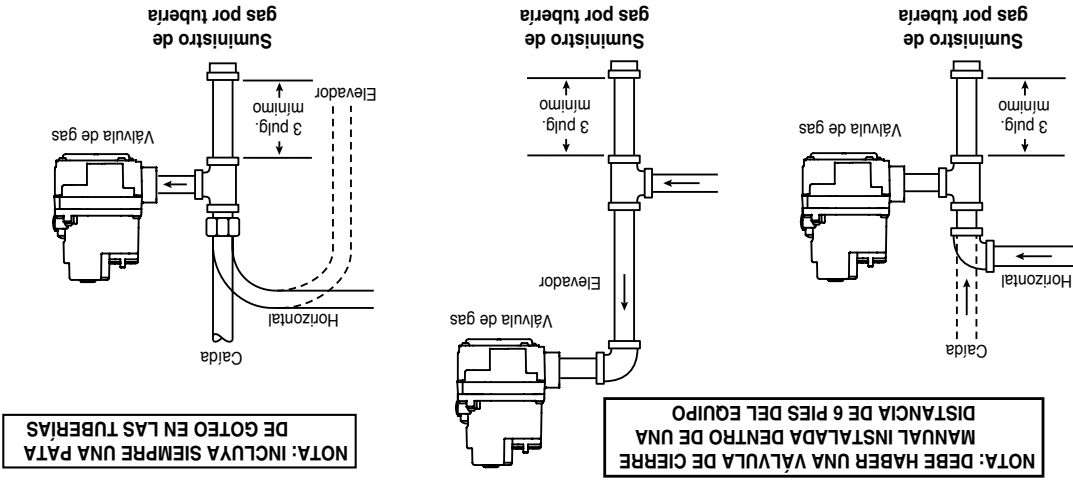


Figura 3. Tubería de válvula de gas típica

# ANTES DE INICIAR LA INSTALACIÓN LEA LAS SIGUIENTES PRECAUCIONES.

Si no sigue estas instrucciones al pie de la letra, puede producirse un incendio o una explosión y, como consecuencia, daños materiales, lesiones personales o la pérdida de vidas.



**¡ADVERTENCIA!**

1. Si no se apaga el suministro eléctrico o de gas principal al sistema de calefacción, podrían producirse lesiones personales y/o daños materiales como consecuencia de electrocución, asfixia con gas, incendio y/o explosión.
2. No utilizar este control en circuitos que excedan el voltaje especificado ya que los voltajes más altos dañarán el control y pueden causar riesgos de electrocución o de incendio.
3. NO UTILICE NUNCA UNA LLAMA NI NINGÚN TIPO DE CHISPERO PARA VERIFICAR LA PRESENCIA DE PÉRDIDAS DE GAS YA QUE PODRÍA CAUSAR UN INCENDIO Y/O UNA EXPLOSIÓN.
4. NO UTILICE UN CABLE DE PUENTE en los sistemas con piloto, como los sistemas con piloto en espera, piloto comprobado o encendido de chispa a piloto, ya que podría producirse un incendio y/o una explosión.
5. No utilice un juego de control para gas natural con gas de petróleo licuado o un juego de control para gas de petróleo licuado con gas natural. Pueden producirse lesiones personales y/o daños materiales, asfixia con gas, incendio y/o explosión.
6. No utilice una válvula de gas que presente daños. Una válvula dañada puede causar lesiones personales y/o daños materiales debido a electrocución, asfixia con gas, incendio y/o explosión. Póngase en contacto con su proveedor para cambiar cualquier válvula que presente daños.
7. No utilice una válvula de gas que haya estado en contacto directo con agua. El ingreso de agua en la válvula de gas puede producir daños internos no visibles en la válvula. Estos pueden causar lesiones personales y/o daños materiales, asfixia con gas, incendio y/o explosión.

**¡ADVERTENCIA!**

- Instale las tuberías de gas al control de forma adecuada.
- No quite las tapas protectoras de la entrada y la salida hasta que esté listo para conectar la tubería de suministro a la válvula de gas.
  - Utilice tuberías de suministro nuevas, debidamente roscadas, fresadas, sin rebaba y limpias.
  - Utilice la llave auxiliar sólo en las partes planas de la llave suministradas en la saliente de entrada, para ajustar la tubería de suministro. No la utilice en la abrazadera, el solenoide ni otras partes del control.
  - No ajuste excesivamente la tubería al control (50 pies/libra máx.).
  - Instale siempre el filtro de sedimentos en la línea de suministro de gas para evitar la contaminación de la válvula de gas.
- Si no se instala correctamente, puede producirse una pérdida de gas y lesiones como consecuencia de incendio o explosión.

**¡PRECAUCIÓN!**

1. No cortocircuite las terminales de la válvula de gas ni del control principal para probarlos. Los cortocircuitos o las conexiones incorrectas pueden producir daños en el equipo, daños materiales y/o lesiones personales.
2. Este control no está diseñado para ser utilizado en lugares en los que pueda entrar en contacto directamente las terminales de la válvula de gas ni del control principal para probarlos. Los cortocircuitos o las conexiones incorrectas pueden producir daños en el equipo, daños materiales y/o lesiones personales.
3. Limpie las tuberías de gas para eliminar los contaminantes, líquidos de corte u otras sustancias químicas que podrían reaccionar de forma nociva con los componentes de la válvula de gas antes de instalarla.

**Figura 1. Posiciones de montaje de la válvula de gas**



**CONTENIDO**

1 Descripción  
1 Especificaciones  
2 Precauciones  
3 Instalación  
4 Instalación  
4 Conexiones eléctricas  
4 Ajuste  
5 Ajuste del regulador de presión  
6 Instrucciones de encendido

Tamaños de tuberías disponibles (pulg.)		Capacidad (BTU/hora) a una caída de presión de 1 pulg. a través de la válvula
3/4 pulg. x 3/4 pulg. NPT	300,000	Gas natural estándar AGA (1,000 btu/pies cúbicos)
1/2 pulg. x 3/4 pulg. NPT	260,000	Gas de petróleo licuado (2,500 btu/pies cúbicos)
1/2 pulg. x 1/2 pulg. NPT	170,000	
		275,000

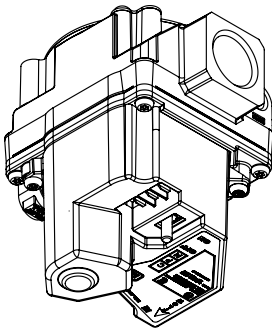
**TAMAÑOS/CAPACIDADES DE LAS TUBERÍAS**

Tipo de gas:	Temperatura ambiente: -40° a 175°F	Presión nominal: 14 pulg. W.C. (1/2 PSI) máx.	Voltaje: 24 VCA	Frecuencia: 50/60 Hz	Corriente: Una sola etapa - .410A Dos etapas - .540A	Ajuste del regulador de presión: (pulgadas W.C.)	
						Alto	Bajo
Gas natural						2.5 - 5.0	1.0 - 3.5
Gas de petróleo licuado						8.0 - 12.0	4.0 - 9.5

**Tipo de gas:** Gas natural  
**Temperatura ambiente:** -40° a 175°F  
**Presión nominal:** 14 pulg. W.C. (1/2 PSI) máx.  
**Voltaje:** 24 VCA  
**Frecuencia:** 50/60 Hz  
**Corriente:** Una sola etapa - .410A  
Dos etapas - .540A

**ESPECIFICACIONES**

Nº DE MODELO	Nº DE ETAPAS	CARACTERÍSTICAS ABIERTAS	PILOTO PROBADO
36H22	1	Rápido	NO
36H23	1	Lento	NO
36H32	1	Rápido	SI
36H33	1	Lento	SI
36H54	2	Rápido	NO
36H55	2	Lento	NO
36H64	2	Rápido	SI
36H65	2	Lento	SI



La válvula de gas combinada serie 36H está diseñada con una válvula de solenoide principal y válvulas redundantes que controlan el flujo de gas a los quemadores principales, un regulador de presión para mantener una presión de salida constante y un interruptor de encendido y apagado de dos posiciones para el cierre eléctrico del equipo. Los modelos enumerados a continuación incluyen las características indicadas en cada caso:

**DESCRIPCIÓN**

**EL NO LEER Y SEGUIR CON CUIDADO TODAS LAS INSTRUCCIONES ANTES DE INSTALAR O UTILIZAR ESTE CONTROL PODRÍA CAUSAR LESIONES PERSONALES Y/O DAÑOS MATERIALES.**

**INSTRUCCIONES PARA LA INSTALACION**

**SERIE 36H**  
Válvula de gas combinada



**White**  
Rodgers

## Free Manuals Download Website

<http://myh66.com>

<http://usermanuals.us>

<http://www.somanuals.com>

<http://www.4manuals.cc>

<http://www.manual-lib.com>

<http://www.404manual.com>

<http://www.luxmanual.com>

<http://aubethermostatmanual.com>

Golf course search by state

<http://golfingnear.com>

Email search by domain

<http://emailbydomain.com>

Auto manuals search

<http://auto.somanuals.com>

TV manuals search

<http://tv.somanuals.com>