

White-Westinghouse

Factory Parts Catalog

Product No.	WEQ332HS0
Market	North America
Color	white
Volts	230
Wiring Diagram	137130900
Owner's Guide	137129700
Installation Instructions	134897300
Operating Instructions	137129600

 **Electrolux**

Electrolux Major Appliances
North & Latin America
P.O. BOX 212378
AUGUSTA, GA 30917

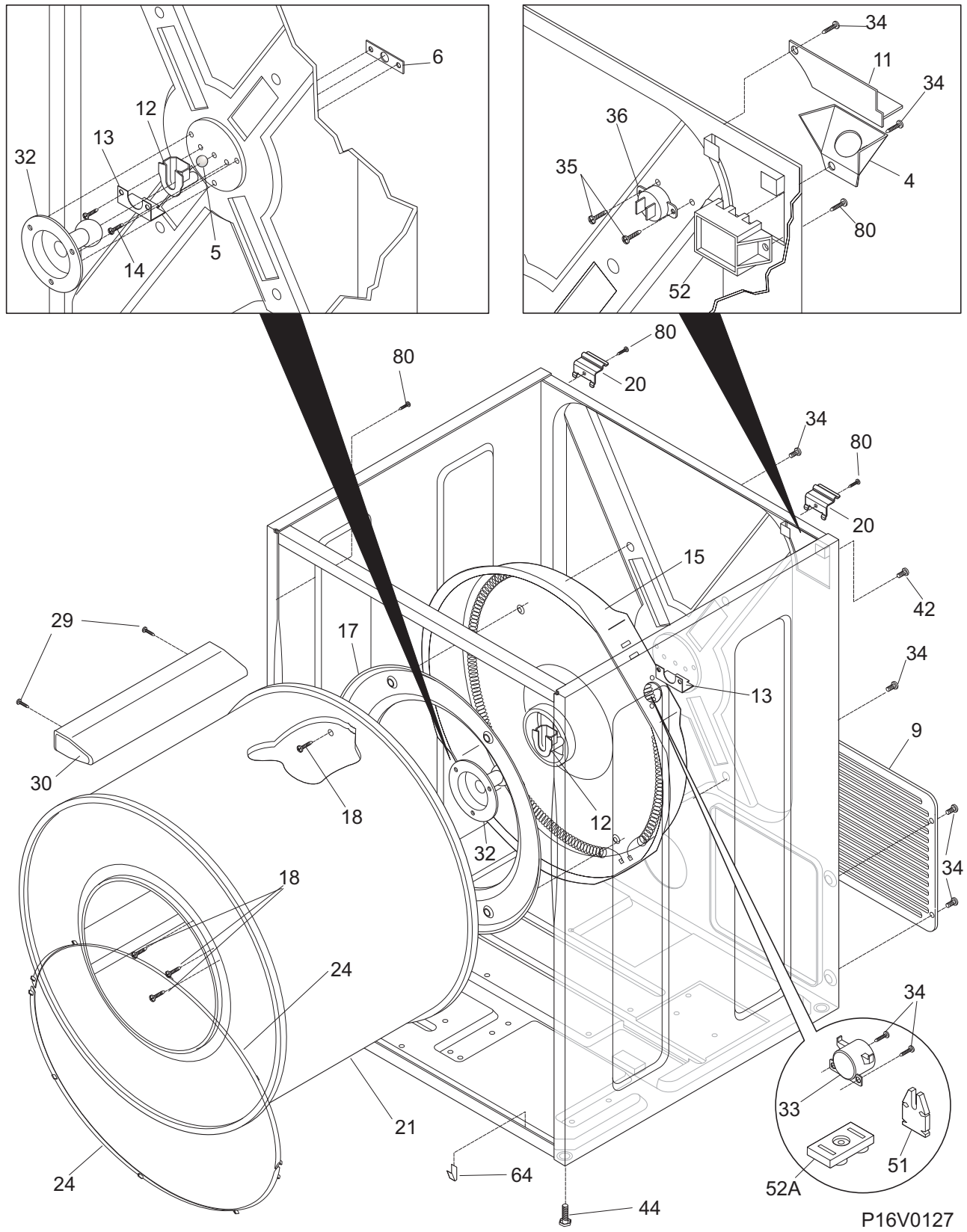
Publication No.
5995532453
09/02/03
(EN/SERVICE/WTC)
361

ELECTRIC DRYER

Model No.
WEQ332H

Copyright © 2009 Electrolux Home Products, Inc.
All rights reserved.

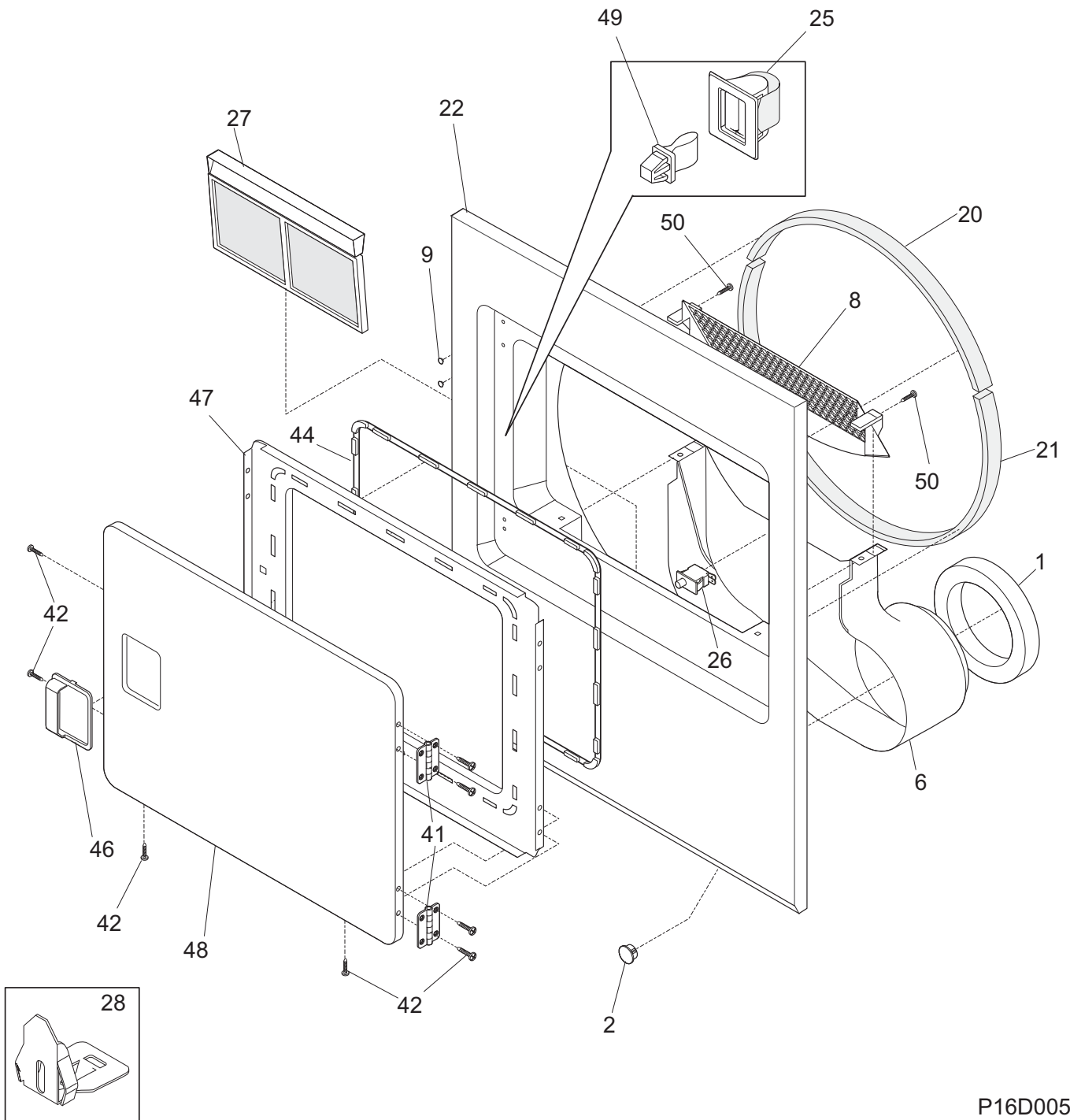
CABINET/DRUM



CABINET/DRUM

POS. NO	PART NO.	DESCRIPTION
4	131785200	Bracket, elec power cord, knock out
5	5303281019	Ball, grounding
6	5303281020	Clip, ball, steel, flat nut
9	131793200	Panel, service access, rear
11	5303211428	Cover, terminal block
12	131825900	Bearing, drum support
13	131724300	Bracket, bearing support
14	131205400	Screw, bracket mtg., 10-16B x 1.375, cr/sq drive
15 #	131553900	Heater Assy, w/housing/felt
17	3204254	Baffle, heater shield
18	131477000	Screw, 10-16AB x 0.375
20	131469100	Bracket, hinge, rear, top panel mtg.
21	134122532	Drum, dryer, galvanized stl., service kit
24	131963900	Glide, drum
29	131382300	Screw, quadrex head, 10-14 x 1.00, vane mtg., special
30	5303201200	Vane, straight
32	137088600	Shaft, drum support, ballhitch
32*	5303307893	Lubricant, high temp
33 #	3204267	Thermostat, safety
34	131243700	Screw, pan head, 8-18AB x 0.375
35	131892100	Screw, 6-20B x 0.230
36 #	134120900	Thermal Limiter
42	134154100	Screw, hex washer head, 10-32 x 0.375, ground
44	134158000	Leveling Leg, screw
51	131472100	Insulator, heater housing
52 #	134101400	Terminal Block, main
*	134110500	• Wiring Harness, main
52A#	3202786	Terminal Block, heater housing
64	131704600	Clip, front, cabinet bottom
80	134547800	Screw, 10-16AB x 0.375
* #	5303281153	Rear Bearing Kit, includes 5, 6, 12, 13, 14, 18, 32

FRONT PANEL/LINT FILTER

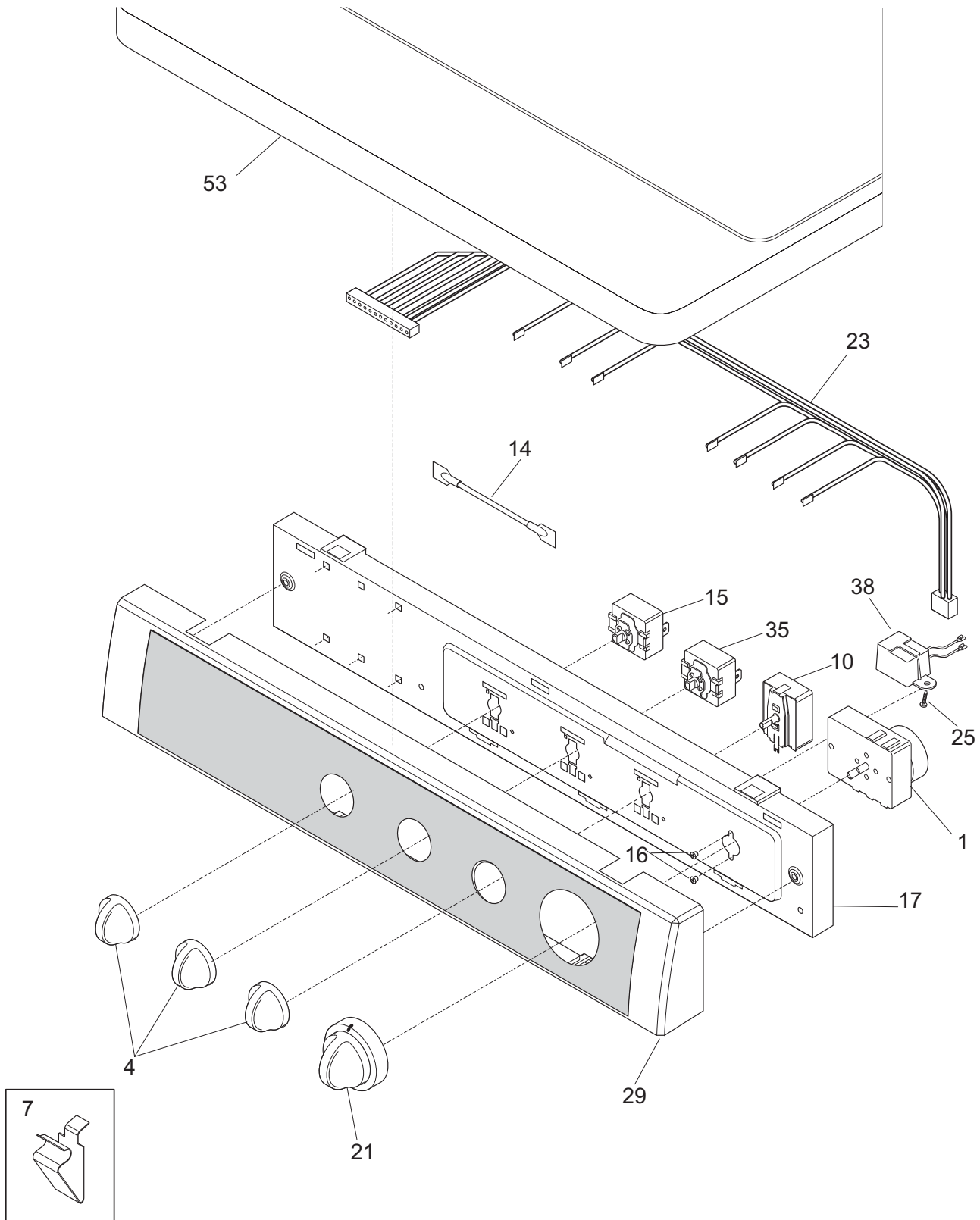


P16D0050

FRONT PANEL/LINT FILTER

POS. NO	PART NO.	DESCRIPTION
1	134417000	Seal, air duct
2	131397000	Plug, dome, white
6	131621900	Duct, air
8	131622202	Cover, lint housing
9	131633200	Plug, white
20	134440200	Seal, felt, upper
20*	5308027429	Adhesive, high temp
21	134134700	Seal, felt, lower
22	131845902	Panel, front, white, w/lamp hole
22*	131474700	Insulation
22*	131870700	Plug, light hole
25	131658800	Door Catch, upper
26 #	134813600	Switch, door
27	131450300	Trap, lint blade assy
28	134440000	Clip, guide
41	134222900	Hinge, dryer door
42	134156200	Screw, flat head, 8-18AB x 0.44, quad drive
44	131129900	Gasket, door seal
46	131644700	Handle, door, white
47	131844104	Panel, inner door, white
48	131789303	Panel, outer door, white
49	5303211430	Door Strike
50	131303300	Screw, pan head, 10-16AB x 0.500, locking

CONTROLS/TOP PANEL

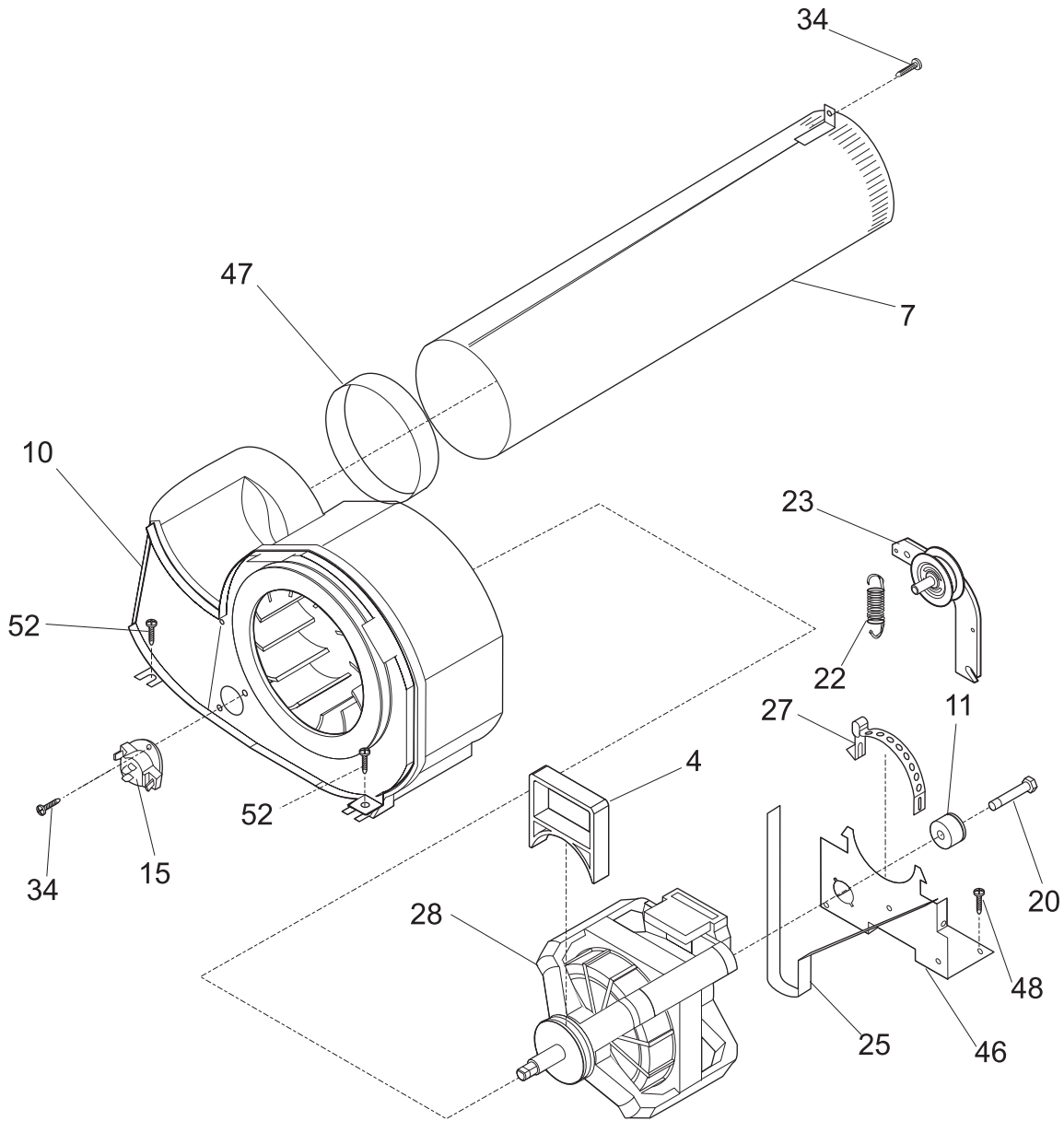


P16C0245

CONTROLS/TOP PANEL

POS. NO	PART NO.	DESCRIPTION
1 #	5303297177	Timer, dryer
4	131965300	Knob, rotary, white/gray
7	3205821	Clip, top-to-front
10	134398300	Switch, start, turn type
14 #	134446800	Resistor, power
15 #	134907000	Switch, temp selector, 3 position
16	134034300	Screw, pan hd phillips, 8-18B x 0.250
17	134064501	Bracket, control mtg.
21	131873500	Knob, timer, white/gray, assy
23	137130800	Harness, control console
23*#	134110500	Wiring Harness, main
25	5303015671	Screw, hex washer head, 8-18 x 0.375, cup point
29	137128700	Panel, control console
35 #	134904500	Switch, temp selector, 2 position
38 #	5303210285	Buzzer
53	134086812	Panel, dryer top, white, stackable
* #	134101400	Terminal Block, main

MOTOR



P16M0024

MOTOR

POS. NO	PART NO.	DESCRIPTION
4	131435200	Lock, blower housing
7	131451600	Tube, exhaust, rear, w/mtg bracket
7*	131456800	Tube, exhaust, side/bottom, Optional Kit
10 #	131775600	Blower Assy, housing, w/cover & wheel
11	131749800	Spacer, idler
15 #	131298300	Thermostat, temp control
20	131017900	Screw, hex head, 1/4-20T x 1.25, spacer mtg., thread cutting
22	131601000	Spring, idler arm
23 #	131863007	Idler Arm Assy, w/pulley
25 #	134503600	Belt, dryer
27	134242400	Clamp, motor mtg.
28 #	131560100	Motor & Pulley Assy
34	131243700	Screw, pan head, 8-18AB x 0.375
46	134203400	Bracket, motor mtg
47	131633300	Seal, exhaust tube
48	134547800	Screw, 10-16AB x 0.375
52	131202300	Screw, 10-16AB x 0.625

WIRING DIAGRAM

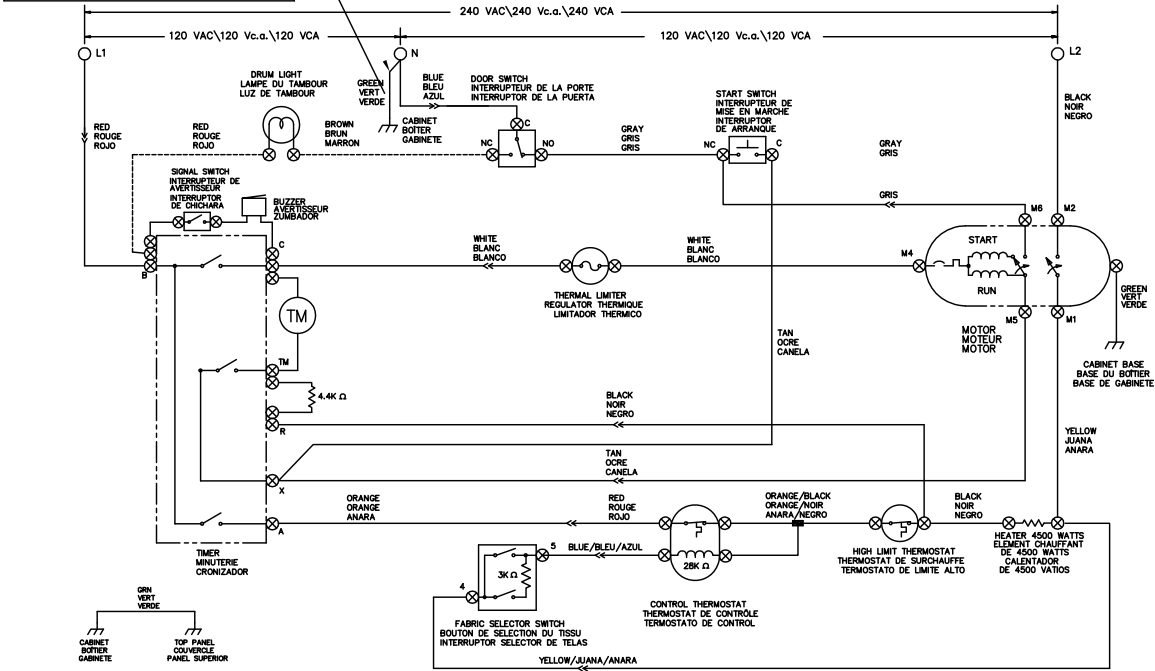
CAUTION: DISCONNECT ELECTRIC CURRENT BEFORE SERVICING
 MISE EN GARDE: METTRE HORS TENSION AVANT D'EFFECTUER TOUTE MESURE D'ENTRETIEN.
 PRECAUCION: DESCONNECTAR LA CORRIENTE ELECTRICA ANTES DE DAR SERVICIO A LA SECADORA.

WIRE NOT INCLUDED IN MODELS PROVIDED WITH 4-WIRE POWER CORD.
 FIL NON COMPRIS POUR LES MODELES QUI DISPOSENT D'UN CORDON D'ALIMENTATION A 4 FILS.
 EL ALAMBRE NO SW INCLUYE EN LOS MODELOS PROPORCIONADOS CON UN CORDON DE ALIMENTACION DE CUATRO ALAMBRES.

NOTE: DASHED LINE INDICATES CIRCUITS THAT ARE NOT IN ALL MODELS.

REMARQUE: LES TIRES INDIQUENT L'EMPLACEMENT DES CIRCUITS QUI NE SONT PAS PRESENTS DANS TOUS LES MODELES.

NOTA: LAS LINEAS DE PUNTO INDICAN CIRCUITOS QUE NO ESTAN EN TODOS LOS MODELOS.



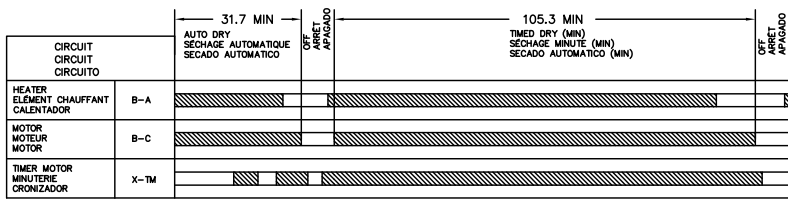
WIRING CODES	CODES DE CABLAGE	CODIGOS DE ALAMBRADOS
⊗ QUICK DISCONNECT TERMINAL	BORNE A DEBRANCHEMENT RAPIDE	TERMINAL DE DESCONEXION RAPIDA
— CONNECTION	CONNEXION	SIN CONEXION
+ NO CONNECTION	AUCUNE CONNEXION	INTERUPPTOR DEL MOTOR
⊕ MOTOR SWITCH	INTERUPPTOR DU MOTEUR	EMPALEME
— MOTOR PROTECTOR	PROTECTEUR DU MOTEUR	PROTECTOR DEL MOTOR
⊕ CHASSIS (CABINET) GROUND	MISE A LA TERRE DU BOTIER	PUESTA A TIERRA DEL CHASIS (GABINETE)
○ SCREW TERMINAL	BORNE A VIS	BORNE DE TORNILLO
⊗ HARNESS CONNECTOR TERMINAL	BORNE A CONNECTEUR DE HARNAS	TERMINAL CONECTOR DE CONDIIONADO
⊗ INSULATED TERMINAL	BORNE OSOLEE	TERMINAL AISLADO

FABRIC SELECTOR SWITCH BOUTON DE SELECTION DU TISSU INTERRUPTOR SELECTOR DE TELAS			RESISTANCE RESISTENCIA RESISTENCIA
FUNCTION	FONCTION	FUNCION	
REGULAR	RÉGULIER	REGULAR	∞
MEDIUM	MÉDIUM	MEDIA	3K Ω
LOW	BAS	BAJA	10 Ω MAX

- NOTES:
1. ALL WIRING MUST CONFORM TO LOCAL ELECTRICAL CODES.
 2. CONNECT DRYER TO A 30 AMP INDIVIDUAL BRANCH CIRCUIT.
 3. TIMER SHOWN IN OFF POSITION, DOOR SWITCH CLOSED, MOTOR AT REST, THERMOSTAT CLOSED, AND FABRIC SELECTOR SWITCH AT REGULAR.

- REMARQUES:
1. TOUT LE CABLAGE DOIT RESPECTER LES CODES DE L'ELECTRICITE LOCAUX.
 2. BRANCHER LA SECHÉUSE A UNE DERIVATION DISTINCTE DE 30 AMPERES.
 3. MINUTERIE ILLUSTREE EN POSITION FERME, INTERRUPTEUR DE LA PORTE FERMÉ, MOTEUR ARRÊTÉ, THERMOSTAT FERMÉ ET BOUTON DE SELECTION DU TISSU SUR RÉGULIER.

- NOTAS:
1. TODAS LAS INSTALACIONES ALAMBRICAS DEBEN CUMPLIR CON LOS CODIGOS ELECTRICOS LOCALES.
 2. CONECTAR LA SECADORA A UN CIRCUITO DE RAMAL INDIVIDUAL DE 30 AMPERES.
 3. EL CRONIZADOR SE MUESTRA EN POSICION APAGADO, EL INTERRUPTOR DE LA PUERTA CERRADO, EL MOTOR EN REPOSE, EL THERMOSTATO CERRADO Y EL INTERRUPTOR SELECTOR DE TELAS EN REGULAR.



BAR CHART ABOVE REPRESENTS ONE COMPLETE REVOLUTION OF TIMER SHAFT.
 SHADED PORTION OF BAR CHART INDICATES THE PROPORTIONAL TIMES THAT INTERNAL TIMER CONTACTS ARE CLOSED.

LE DIAGRAMME SUR LA GAUCHE REPRESENTE UNE ROTATION COMPLETE DE L'ARBRE DE LA MINUTERIE.
 LA PARTIE OMBREEE DU DIAGRAMME INDIQUE LE TEMPS RELATIF PENDANT LEQUEL LES CONTACTS INTERNES DE LA MINUTERIE SONT FERMÉS.

EL GRAFICO DE BARRAS DE LA IZQUIERDA REPRESENTA UNA REVOLUCION COMPLETA DEL EJE DEL CRONIZADOR.
 LA PORCION SOMBRREADA DEL GRAFICO DE BARRAS INDICA LOS TIEMPOS PROPORCIONALES QUE LOS CONTACTOS INTERNOS DEL CRONIZADOR ESTAN CERRADOS.

WIRING DIAGRAM P/N
 SCHEMA DE CABLAGE N° DE PIÈCE 137130900 A
 DIAGRAMA DE CONEXIONES N/P

Free Manuals Download Website

<http://myh66.com>

<http://usermanuals.us>

<http://www.somanuals.com>

<http://www.4manuals.cc>

<http://www.manual-lib.com>

<http://www.404manual.com>

<http://www.luxmanual.com>

<http://aubethermostatmanual.com>

Golf course search by state

<http://golfingnear.com>

Email search by domain

<http://emailbydomain.com>

Auto manuals search

<http://auto.somanuals.com>

TV manuals search

<http://tv.somanuals.com>