



WHYNTER 32 Bottle French Door Dual Temperature Zone Wine Cooler

MODEL# : WC-321DD

Instruction Manual

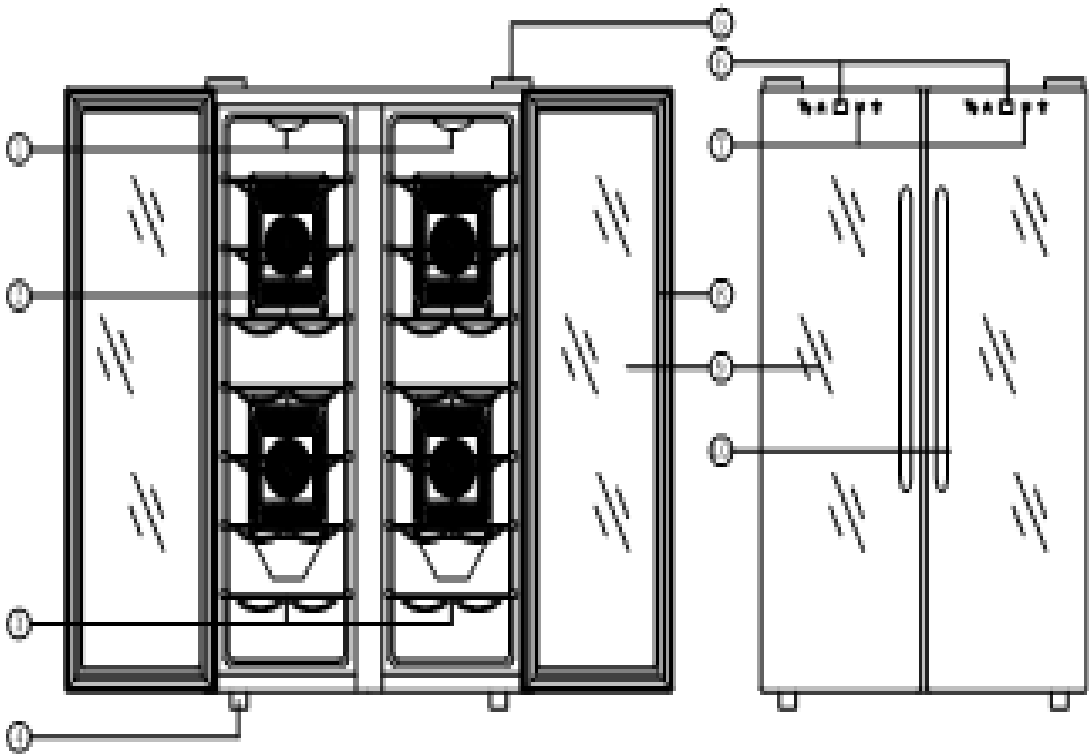


Thank you for your purchase of this WHYNTER product. Please read this Instruction Manual carefully before using product to ensure proper use. Keep this manual in a safe place for future reference.

TABLE OF CONTENTS

Parts and Features	3
Technical Data	4
Important Safety Instructions.....	5 – 6
Installation	7
Operations	8 - 9
Care and Maintenance.....	9
Troubleshooting.....	10 - 11
Warranty	12

1. Parts and Features



1. INTERIOR LIGHT

3. WINE RACK

5. DOOR HINGE

7. TEMPERATURE CONTROLLER

9. TEMPERED GLASS DOOR

2. FAN MASK

4. STAND

6. TEMPERATURE DISPLAY

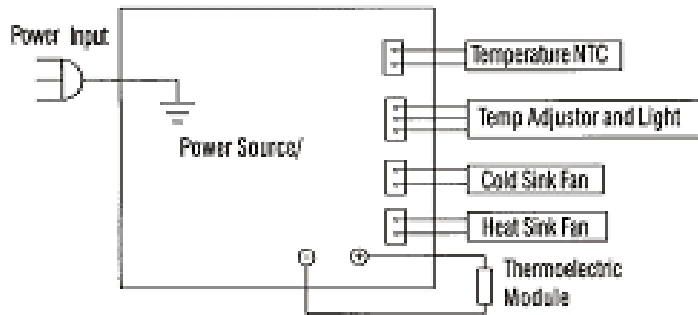
8. DOOR FRAME

10. HANDLE BAR

2. Technical Data

Model no.	WC-321DD
Capacity	100L (32 standard wine bottles)
Voltage	110v
Current	3.0 Amp
Input power	210W
Power Consumption(KW.h/24h)	1.5(59°F)
Max Temperature Difference	> 64°F
Temperature Control Range	46-66 °F
Net weight	69.5 lbs
Gross weight	75 lbs
Product size(WxHxD)	20.67" x 32.28" x 20.08" (21.68" with handle installed)
Packing size(WxHxD)	24" x 35" x 23.5"

Electro circuit Control Diagram





3. Important Safety Instructions

To reduce the risk of fire, electrical shock, or injury when using your appliance, follows these basic precautions

- Do not use if the power supply cord is damaged. If damaged, it must be replaced by a qualified electrician.
- This wine cooler is not intended for use by young children or physically-challenged persons without supervision/assistance. Young children must be supervised to ensure safety around this or any appliance.
- Ensure the unit is unplugged before cleaning or when not in use.
- To clean the unit, use only mild detergents or glass cleaning products. Never use harsh detergents or solvents.
- Do not use this wine cooler with an extension cord or power board. Please ensure that the appliance is plugged directly into the electrical outlet.
- When positioning the wine cooler, ensure that there is at least a 2" clearance at the sides and a 4" clearance at the back. This will allow for adequate ventilation of any heat generated by the wine cooler.
- This cooler is designed to store wine bottles. If food is stored inside, ensure that there is sufficient airflow between items. Please note that the temperature range for this cooler is optimized for wine and beverage storage. Perishable food items may require a different storage environment.
- Do not place hot food or beverages into the wine cooler.
- Close the cooler door immediately after putting in any items to keep the internal temperature relatively constant.
- Keep the appliance away from any heat source or direct sunlight.
- For a stable installation, make sure the appliance is placed on a flat, level and solid surface.
- Ensure that the surface on which the wine cooler is placed is strong enough to hold the wine cooler and the items stored inside.
- Avoid placing any objects on top of the wine cooler.
- The wine cooler is an electrical appliance. To avoid injury or death from electrical shock do not operate the Wine Cooler with wet hands, while standing on a wet surface or while standing in water. Do not use outdoors or in wet conditions.
- When positioning or moving the appliance ensure that it is not turned up side down or greater than 45° off level.
- Never pull the cord to disconnect it from the outlet. Grasp the plug and pull it from the outlet.
- Never lift or carry the wine cooler by the power cord.
- This wine cooler is designed for household, non-commercial use only. Any other use will void the warranty.
- Do not plug into the power outlet before set up is completed.

- An empty cooler can be a dangerous for children or small pets. If disposing of the cooler remove gasket seals, latches, lids or the entire door from your unused appliance, or take other action to ensure the cooler is harmless.
- Do not cut or remove the ground prong from the power cord.
- Do not move this appliance without emptying it and securing the door in a closed position.

4. Installation

Before using your wine cooler

- Remove the exterior and interior packaging material.
- Stand the unit upright for approximately 2 hours before connecting to the power source. This will reduce the possibility of a malfunction in the cooling system from handling during transportation.
- Clean the interior surface with a soft cloth and warm water.
- Place your appliance on a floor that is strong enough to support the appliance when it is fully loaded.
- Do not place the appliance in direct sunlight and sources of heat (stove, heater, radiator, etc.). Direct sunlight may affect the acrylic coating and heat sources may increase the ambient temperature and electrical consumption. Extreme cold or hot ambient temperatures may also cause the appliance to malfunction.
- Allow up to 24 hours of operation for the wine bottles to reach the desired temperature.

Electrical Connection

Warning

Improper use of the grounded plug can result in the risk of electrical shock. If the power cord is damaged, have it replaced by a qualified electrician.

This appliance should be properly grounded for your safety. The power cord of this unit is equipped with a 3-pin plug to minimize the possibility of electrical shock. Do not under any circumstances cut or remove the ground wire from the power cord supplied.

Use of extension cords is not recommended.

This unit requires a standard 110V-60HZ electrical outlet with 3-pin plug.

To prevent accidental injury, the power cord should be secured behind the wine refrigerator and not left exposed or dangling.

5. Operations

Temperature Setting

It is recommended that you install the wine cooler in a place where the ambient temperature is between (60- 80°F). If the ambient temperature is above or below recommended temperatures, the performance of the unit may be affected. For example, placing in extreme cold or hot conditions may cause interior temperature to fluctuate thus the set temperature may not be achievable.

You can set the wine cooler temperature by pressing the “▲” UP and “▼” DOWN buttons on the control panel.

Temperature control range: 46-66 °F

Generally for red wines, the temperature range should be between 57°F – 61°F and for white wines, the temperature range should be 50°F - 54°F. This is based on an ambient room temperature of 77°F.

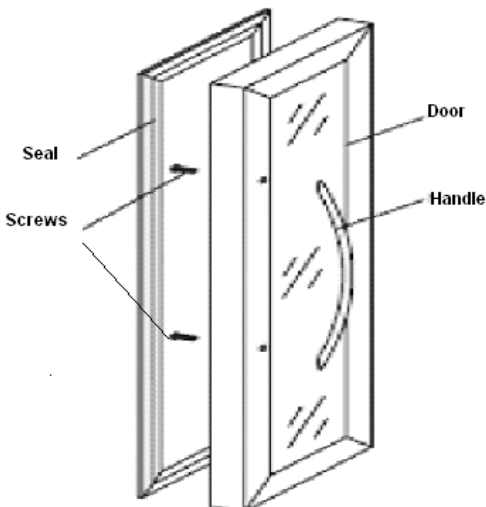
Interior Light

You turn on and off the interior light by pressing the “Light” button on the control panel.

Handle Bars

Your wine cooler comes with two towel bar style handles. To install the handles, you will need a Phillips-head screwdriver.

- Open the doors of the wine cooler.
- Located the two screw holes on the inside of the door (they may be partially obscured by the door seal so you may need to remove the door seal)
- Insert the screws into the screw holes until they stick out of the front of the door.
- Line up the holes in the handle with the screws and give each screw about 2-4 full turns into the handle bar.
- Now the turn the screws in all the way, and your handles are installed.
- Replace seal into door frame.



Bottle Capacity

This wine cooler is designed to store 16 bottles in each of the two separate temperature zones. The bottle capacity listed for your wine cooler is an estimated maximum capacity based on a standard 750ml wine bottle. For other size bottles, the capacity will vary.

Leveling Legs

Your wine cooler comes with four leveling legs. To adjust these legs, carefully lean the wine cooler to one side (make sure it is emptied and the door is secured) and unscrew the legs to make them longer. Screw the legs tighter to make them shorter. This wine cooler is not designed to operate without the leveling legs.

Wine Racks

The individual wine racks have a slight difference between the top and a bottom of the racking. If you are having trouble fitting the maximum number of bottles of wine in the wine cooler, try flipping the wine racks over to accommodate the shape of the bottle.

Air Filter

Your wine cooler has a washable air filter over the air intake in the back. Periodically, this air filter should be cleaned. Remove the air filter and gently wash it in a solution of mild detergent and water. Make sure it is completely dry before installing it back to the air intake.

Energy Saving Tips

Do not locate the wine cooler in direct sunlight or any heat generating sources. Let any warm items cool before placing them in the wine cooler.

6. Care and Maintenance

Cleaning your wine cooler

- Unplug the wine cooler.
- Remove all items from the wine cooler.
- Wipe the inside and outside surface with a mild soap.
- Wash the wine racks with a mild soap.
- Dry any moist parts with a soft cloth.

Moving your wine cooler

- Unplug the wine cooler.
- Remove all items from the wine cooler.
- Securely tape the door of the wine cooler.
- Turn the leveling legs (tightly shorten) up to the base to avoid damage.
- Be sure the wine cooler stays in the upright position during transportation.
- The ideal packaging for the wine cooler is its original packaging. Please keep the original packaging and repack the wine cooler if you need to transport the unit.

7. Troubleshooting

You can solve many common problems by referring the troubleshooting suggestions listed below.

Symptoms	Possible causes	Solutions
The wine cooler does not turn on.	There is a power failure. The cooler is not plugged in. A house fuse has blown or the circuit breaker is tripped.	Ensure the cooler is plugged in and the power outlet has power. Replace the broken fuse or reset the breaker.
The wine cooler is not reaching the desired temperature.	The cooler is placed too close to a heat source. The cooler does not have sufficient ventilation. The door is opened too frequently or for a long period of time.	Keep the cooler away from sunshine or other heat sources. Make sure the wine cooler has at least 4" of ventilation on the sides and back. Close the door tightly and do not open the door too frequently or for a long period of time.
Frost forming inside the wine cooler.	The environment is too humid. The ambient temperature is too low. The door is opened too frequently or for a long period of time.	Although this unit uses an auto-defrost system, under certain conditions, manual defrosting may be required. If frost builds up, try running the cooler on a warmer temperature setting. Close the door tightly and do not open the door too frequently or for a long period of time. Unplug the unit to allow the frost to melt.
The wine cooler turns on and off frequently.	The ambient temperature is too low or high. The door is being opened often. The door is not completely closed. The door gasket is not sealing properly.	Decrease or increase the ambient temperature. Minimize the number of times the door is opened. Make sure the door is tightly closed. Make sure the door gasket is properly sealed.

	The cooler does not have the suggested ventilation.	Make sure the cooler has at least 2" on the sides and 4" in the back for clearance.
The wine cooler makes too much noise.	<p>If the noise is from the fan, it may be normal operating noise.</p> <p>The unit is not level.</p> <p>Popping or cracking noises are coming from the unit.</p>	<p>The fan makes normal fan noises.</p> <p>Make sure the cooler is on a hard and level surface. Do not place the wine cooler on carpet.</p> <p>Some popping or cracking noises are normal. They are caused by expansion and contraction of the inside walls due to temperature changes.</p>
The door will not shut properly.	<p>The unit is not level.</p> <p>The door gasket is dirty.</p> <p>The door gasket is malformed.</p> <p>The shelves are incorrectly installed.</p>	<p>Make sure the cooler is on a level surface.</p> <p>Clean the door gasket.</p> <p>Make sure the door gasket is properly sealing.</p> <p>Correctly install the shelves.</p>

ONE YEAR LIMITED WARRANTY

This WHYNTER wine cooler is warranted, to the original owner within the 48 continental states, for one year from the date of purchase against defects in material and workmanship under normal use and service. Should your WHYNTER wine cooler prove defective within one year from the date of purchase, return the defective part or unit, freight prepaid (within two months of purchase; after two months to one year, customer will be responsible for freight cost to Whynter's service department), along with an explanation of the claim to Whynter LLC. Please package the wine cooler carefully in its original packaging material to avoid damage in transit. Please retain original box and packaging material. Under this warranty, Whynter will repair or replace any parts found defective. This warranty is not transferable. After the expiration of the warranty, the cost of labor and parts will be the responsibility of the original owner of the unit.

THIS WARRANTY DOES NOT COVER:

- Acts of God, such as fire, flood, hurricanes, earthquakes and tornadoes.
- Damage, accidental or other wise, to the wine cooler while in the possession of a consumer not caused by a defect in material or workmanship;
- Damage caused by consumer misuse, tampering, or failure to follow the care and special handling provisions in the instructions.
- Damage to the finish of the case, or other appearance parts caused by wear.
- Damage caused by repairs or alterations to the wine cooler by anyone other than authorized by the manufacturer.
- Freight and Insurance cost for the warranty service.

To obtain service or information, contact

Whynter LLC via Email at service@whynter.com or

call 866-WHYNTER.

Free Manuals Download Website

<http://myh66.com>

<http://usermanuals.us>

<http://www.somanuals.com>

<http://www.4manuals.cc>

<http://www.manual-lib.com>

<http://www.404manual.com>

<http://www.luxmanual.com>

<http://aubethermostatmanual.com>

Golf course search by state

<http://golfingnear.com>

Email search by domain

<http://emailbydomain.com>

Auto manuals search

<http://auto.somanuals.com>

TV manuals search

<http://tv.somanuals.com>