



Floor Furnace

Very quietly heat large areas with this easily-installed, space and energy-saving furnace!

Williams' floor furnaces use no above-the-floor room space as it unobtrusively and efficiently circulates warm air . . . and does it without the aid of a blower . . .

Our models are fitted with an automatic floor-register grille temperature control and nonelectric pilot to ensure continuous heat – even during power outages.

Floor furnaces are designed to give you maximum efficiency, low-fuel consumption and quiet operation.



These models offer affordable solutions for limited-space floor plans, remodels, remote cabin locations and new construction.



Design Features

- No electricity required
- "Matchless" pilot igniter
- Easy installation
- Combustion chamber lifts out for easy servicing
- Long-life and quiet heavy-duty burner
- Wall-mounted thermostat included
- Natural and propane gas models
(Conversion kit available)
- Automatic temperature and safety controls
- Resettable vent-limit safety switch

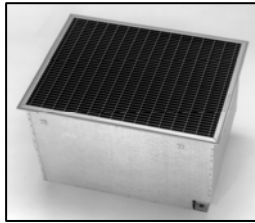
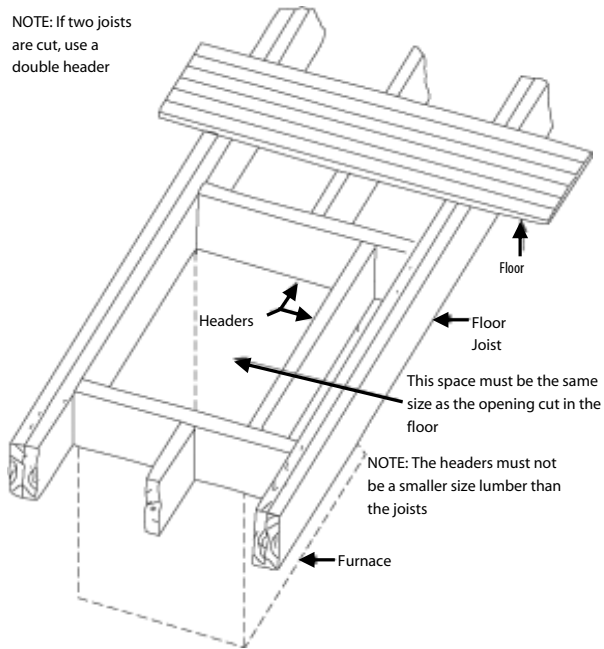
Floor Furnace

Model Number		Btu/hr Input	Btu/hr Output	Efficiency Percentages		Dimensions			Floor Opening		Shipping Weight (lbs.)
Natural	Propane			Thermal	AFUE	Width	Length	Height	Width	Length	
4505622	4505621	45,000	31,500	70.0	57.0	24"	32"	28½"	24¼"	32¾"	147
6005622	6005621	60,000	42,000	70.0	58.0	24"	42"	28½"	24¼"	42¾"	174

All units have ½" gas connection.

Easy Installation

NOTE: If two joists are cut, use a double header



Features

Floor Register Temperature Control

Williams' floor furnaces are equipped with automatic floor register grille temperature control. This meets the latest American National Standards Institute Requirements. In extreme weather conditions, this control can be overridden to allow increased heat output.

Temperature Control

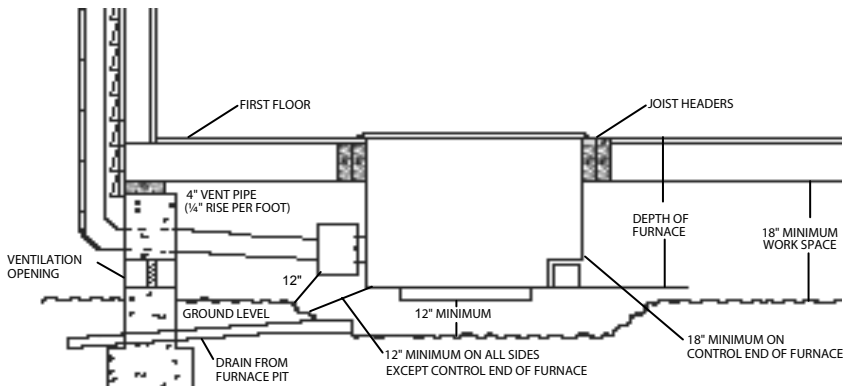
A self-generating millivolt electrical system powers a wall-mounted heating thermostat. This provides maximum room comfort while allowing economical automatic operation.

Accessories

High-Altitude Units Conversion Kits

**Requires
No Electricity**

**Great During
Power Outages**



All units have 4" flue pipe diameter and 18" floor-to-center of flue connection.

Recommended Minimum Clearances

- 6" between the floor furnace and adjacent walls
- 12" between the floor furnace and doors, draperies or other combustible materials
- 15" walk space along two sides of the furnace

Important

- Read owner's manual before using/installing.
- Photographs are representative only.
- Specify propane or natural gas when ordering.
- Check local codes and ordinances for permitted uses.
- Consult installation manual for clearances prior to installation.
- We reserve the right to amend product specifications without notice.
- Installation and servicing recommended by a qualified service person.
- Please read the warranty, for any limitations or disclaimers. Combustion chamber carries a ten-year limited warranty. All other parts carry a one-year limited warranty.
- Venting must comply with the "Venting and Chimney Requirements" section of the installation manual.
- Replacement floor furnaces of the same or lesser Btu/hr input rating may be installed in the same location as the replaced furnace when replacement does not create an unsafe condition.



250 West Laurel Street · Colton, California 92324 USA
 (909) 825-0993 · Fax: (909) 370-0581 or (909) 824-8009
 Consumer Line: (888) 256-6465
 Homeowner Assistance: (909) 426-0978
 www.e-wfc.com

Free Manuals Download Website

<http://myh66.com>

<http://usermanuals.us>

<http://www.somanuals.com>

<http://www.4manuals.cc>

<http://www.manual-lib.com>

<http://www.404manual.com>

<http://www.luxmanual.com>

<http://aubethermostatmanual.com>

Golf course search by state

<http://golfingnear.com>

Email search by domain

<http://emailbydomain.com>

Auto manuals search

<http://auto.somanuals.com>

TV manuals search

<http://tv.somanuals.com>