



## Wall Mounted Hoods – Install Quick Specs WSL Series Hoods - 24" Depth

### Installation Type & Discharge Direction

Wall – vertical discharge

### Discharge Size off Hood Top

14" x 4 1/4" rectangular

### Discharge Transition – purchased separately

See "Ventilation" section for options

### Standard Features

- 304 Series, 18 gauge stainless steel
- Halogen lighting (dual 50 watt lamps 30" to 48" widths/four 50 watt lamps 54" or greater widths) with Hi/Lo setting
- Commercial-grade, high luster stainless steel baffle filters
- All Stainless Steel Finish Hoods can be installed Indoors or Outdoors (see Installation Instructions)
- Widths: 30" to 60" in 6" increments

### Finishes

- Stainless Steel (S), White (W), Essence of Copper (E) and Pewter (P)
- Stainless Steel with Polished Chrome Accents (SPC)

### Optional Upgrades

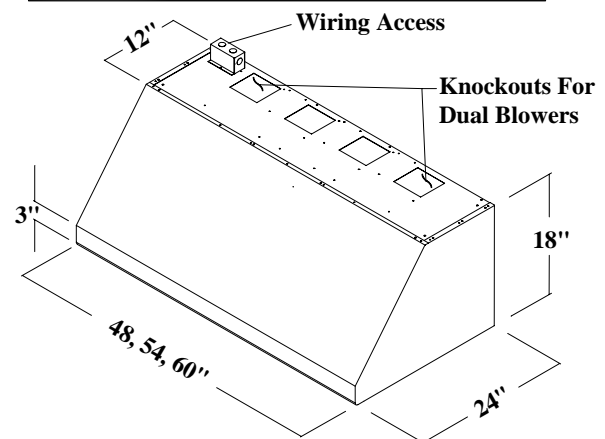
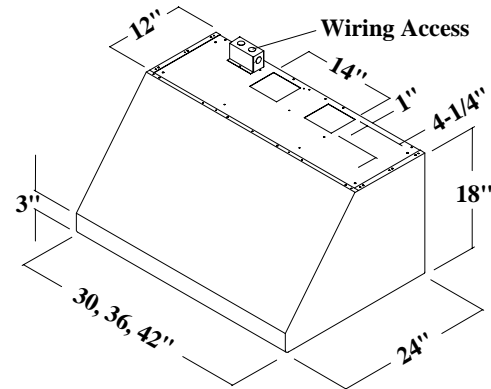
- 250 Watt Heat Lamp Fixtures (add "H" to hood model number) e.g. WSL304SH
- 6" or 12" Canopy Extensions in matching finish (Model(s): 6CE30S or 12CE30S for 30" wide hood in stainless steel finish).  
NOTE: Specify desired canopy height, width and finish when ordering.
- Chrome or Brass Rolled Pot Rails (Model: ACCBRC or ACCBRB) –indoor use only
- Stainless Steel Back Splash with drop-down chrome racks supports a maximum of 30 lbs. (BS plus width – Model: BS30)

### Hood Carton Weight:

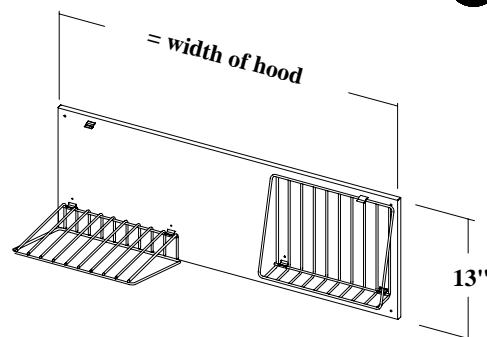
WSL304 = 68 lbs.    WSL484 = 95 lbs.  
WSL364 = 76 lbs.    WSL544 = 100 lbs.  
WSL424 = 83 lbs.    WSL604 = 113 lbs.

Copyright 2006 Wind Crest by CNP Industries

*Install Quick Specs are for planning purposes only. Please refer to the detailed installation instructions, prior to making any cutouts.*



### WSL Hoods



### "BS" Warming Shelf Accessory with Chrome Racks



**Wall Mounted Hoods – Install Quick Specs  
WSL Series Hoods - 24" Depth (cont.)**

**Maximum Power Supply Required\***

15 Amps @ 120 V AC, 60 Hz  
20 Amps @ 120 V AC, 60 Hz (when used with VEN150E remote ventilator)

*\*Electrical rating is maximum required for any combination of ventilator, lighting and heat lamps.*

**Outdoor Electrical Requirements**

Damp outdoor installations require a fault interrupter circuit connection.

**Hood Lighting Rating**

- 30" to 48" widths: 100 watts w/halogen lights or 600 watts w/halogen + heat lamps
- 54" and 60" widths: 200 watts w/halogen lights or 700 watts w/halogen + heat lamps

**Ventilator Options**

640 CFM, Internal Blower: VEN060I\*\*  
1000 CFM, Remote Blower: VEN100E  
1500 CFM, Remote Blower: VEN150E

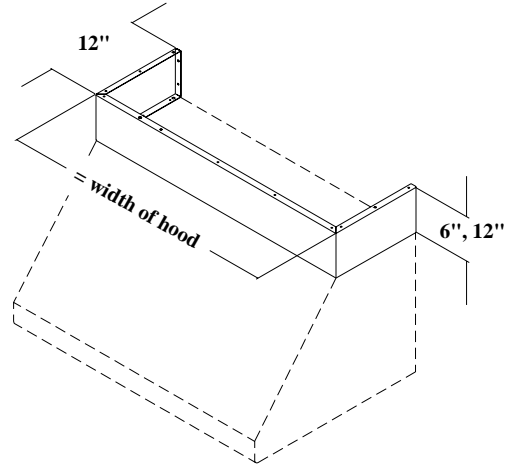
**Ventilator Motor Ratings**

VEN060I: 2.8 Amps @ 120 V AC, 60 Hz\*\*  
VEN100E: 8 Amps @ 120 V AC, 60 Hz  
VEN150E: 12 Amps @ 120 V AC, 60 Hz  
\*\*Two VEN060I internal ventilators can be installed in WSL hoods 48" or wider. This installation requires part #10220 dual wire harness. Refer to installation instructions for full details.

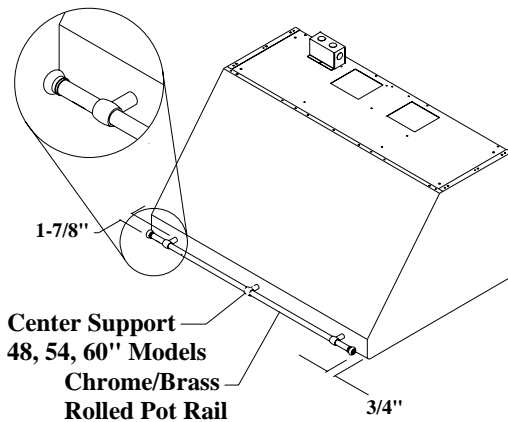
**Ventilator Dimensions & Accessory Transitions (see Ventilator section)**

**CUSTOMER SPECIFICATION:**

**Hood Width Specified & finish:**  
(e.g.WSL304S)  
**Add Keep Hot Lamps:** (e.g. WSL304SH)  
**Add Special Edge Finish to Stainless Models:** (i.e. WSL304SHSPC)  
**Accessories Selected:** (e.g. Back splash with racks, chrome or brass rails, canopy extensions)



**"CE" Canopy Extensions (6" or 12" height) for WSL hoods**



**Final Hood Model Selected:**

**Add Any Accessories:**

**Specify Ventilator Selected & Transitions:**

## Free Manuals Download Website

<http://myh66.com>

<http://usermanuals.us>

<http://www.somanuals.com>

<http://www.4manuals.cc>

<http://www.manual-lib.com>

<http://www.404manual.com>

<http://www.luxmanual.com>

<http://aubethermostatmanual.com>

Golf course search by state

<http://golfingnear.com>

Email search by domain

<http://emailbydomain.com>

Auto manuals search

<http://auto.somanuals.com>

TV manuals search

<http://tv.somanuals.com>