

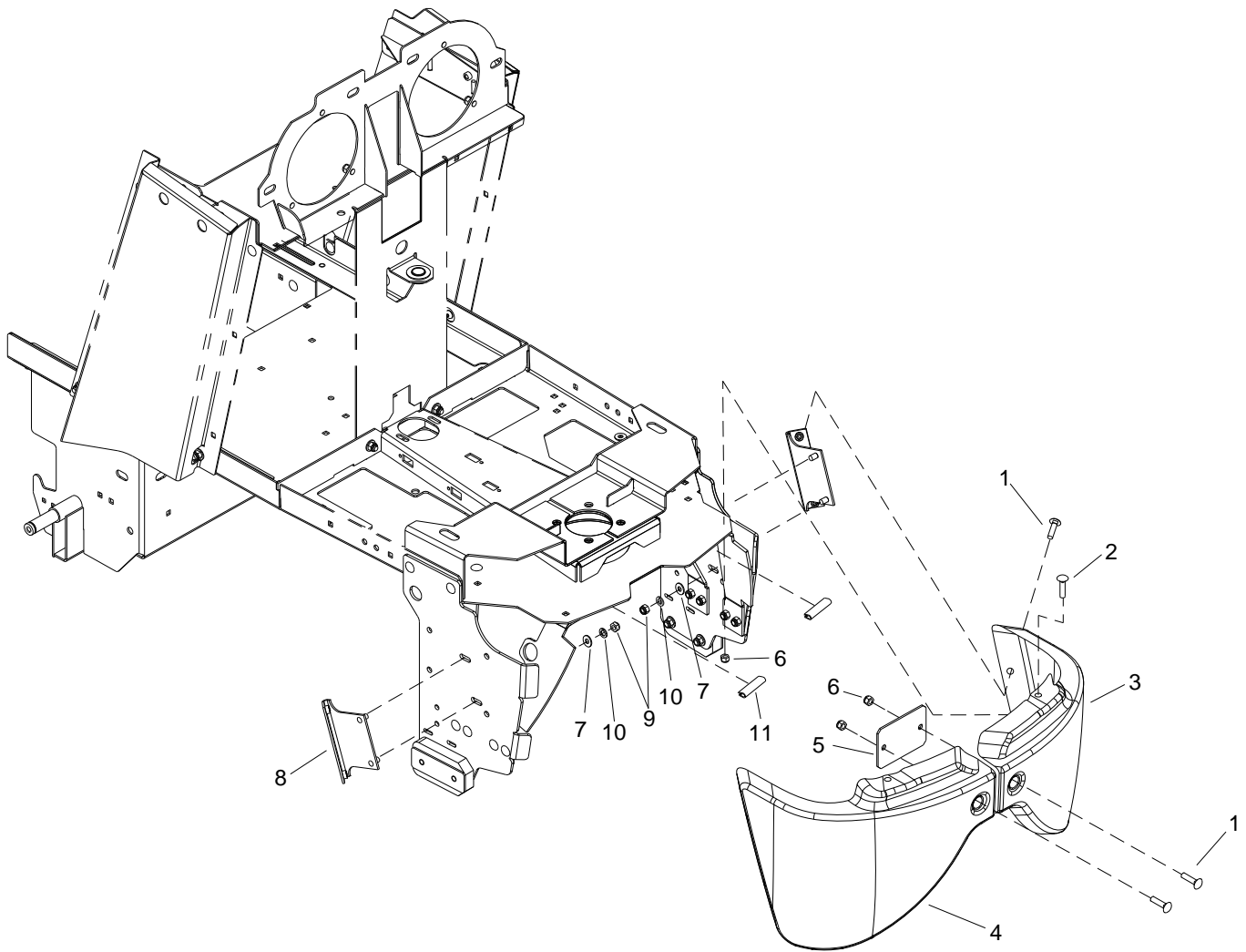


**chariot**

**PARTS**

86037880 CHARIOT EXTRACTOR 01/16/07

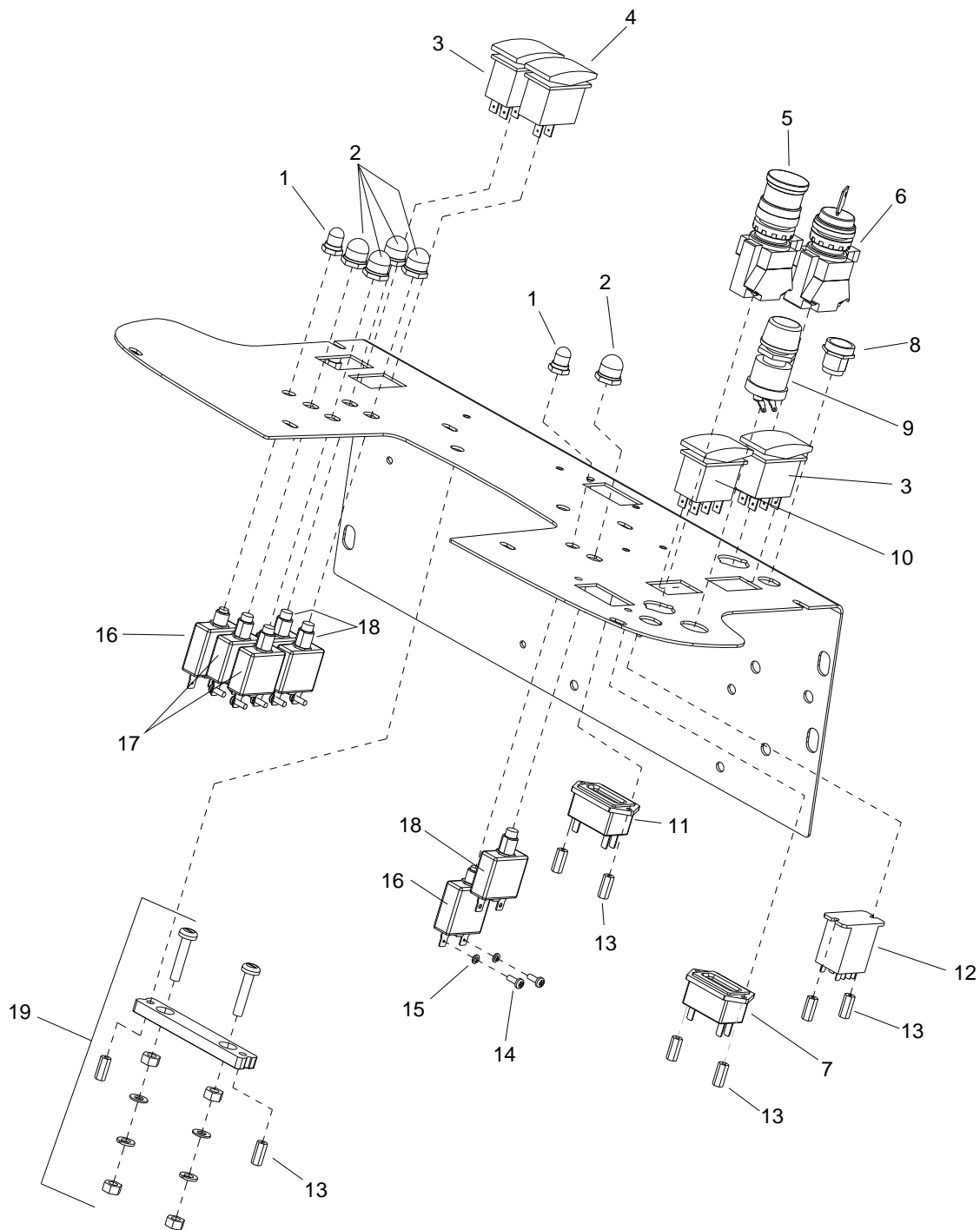
# BUMPER



**BUMPER**

REF	PART NO.	PRV NO.	QTY	DESCRIPTION	SERIAL NO. FROM	NOTES:
1	86276890	70752	6	SCR, 5/16-18X3/4 PTHMS SS		
2	86007070	70849	2	SCR, #12 X 1.25 PPHMS SS		
3	86063230	140813	1	BUMPER , LEFT		
4	86063240	140814	1	BUMPER, RIGHT		
5	86071020	140783	1	BRKT, FRONT BUMPER		
6	86270830	57023	4	NUT, 5/16-18 HEX NYLOCK SS		
7	86010670	87029	4	WASHER, 5/16 FLAT SS		
8	86070730	140729	2	BRKT, BUMPER MOUNT, SIDE		
9	86197040	57264	4	NUT, 5/16-18 HEX ACORN PLTD		
10	86279130	87083	4	WASHER, 5/16 SPLIT LOCK PLTD		
11	86251750	67602	2	RISER, BUMPER		

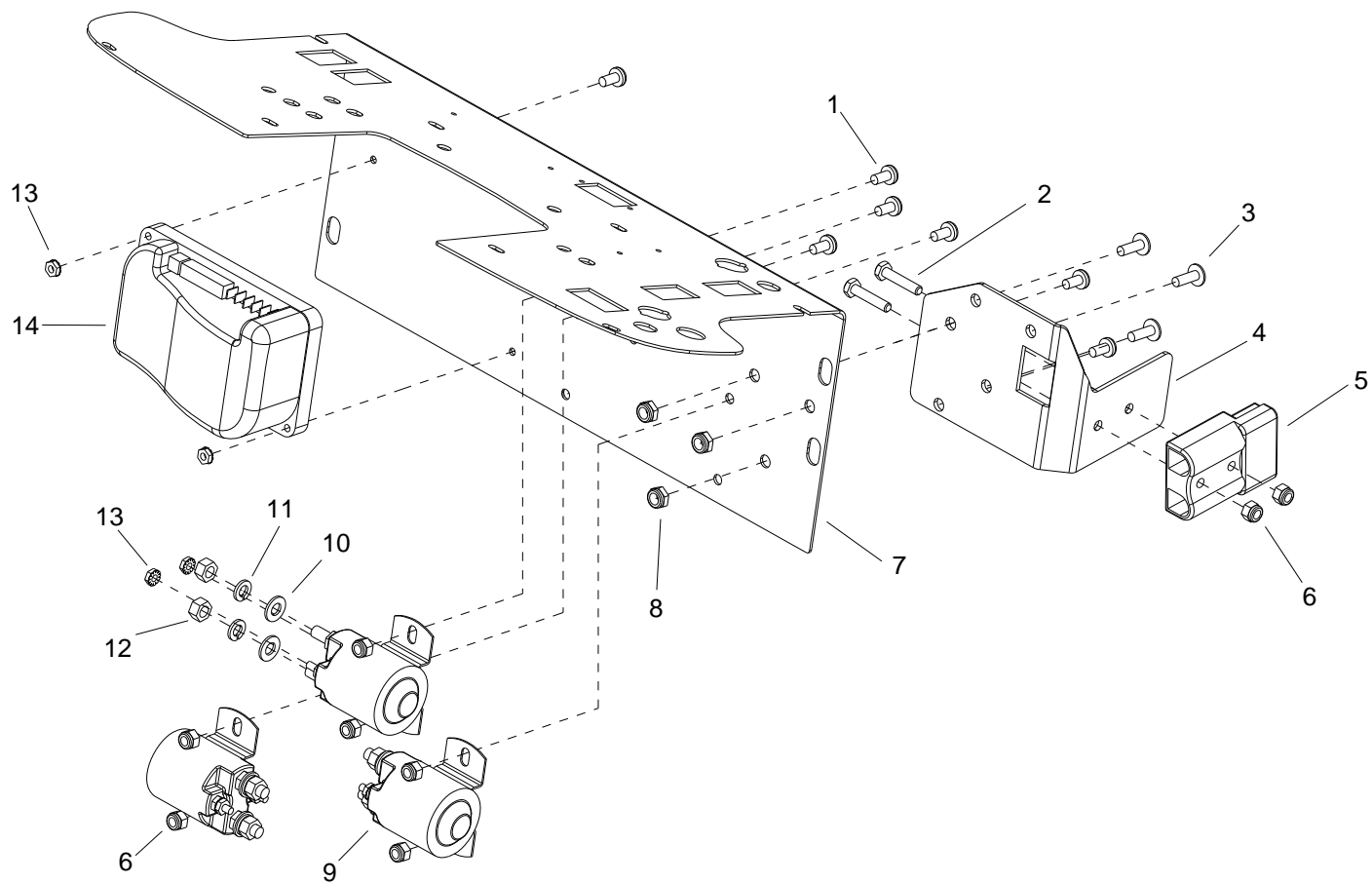
# CONTROL PANEL- UPPER



## CONTROL PANEL - UPPER

REF	PART NO.	PRV NO.	QTY	DESCRIPTION	SERIAL NO. FROM	NOTES:
1	86002010	14942	2	BOOT, 3/8 CIRCUIT BREAKER		
2	86008900	80845	5	BOOT, SEAL-PUSH BUTTON 7/16-28		
3	86007130	72128	1	SWITCH, DPDT 2-POSITION ROCKER		
4	86007140	72130	1	SWITCH, SPST 2-POSITION ROCKER		
5	86007180	72160	1	SWITCH, EMERGENCY STOP		
6	86007190	72161	1	SWITCH KEY DPST		
7	86246930	54144	1	METER, 36V BATTERY CHARGE LEVEL		
8	86257140	72196	1	SWITCH ASM, SEALED PB RND BRN		
9	86257280	81371	1	SWITCH, PUSH BUTTON		
10	86257110	72189	1	SWITCH, 4P3T FIXED POS ROCKER		
11	86005530	54154	1	METER, 12-48 VDC LED HOUR		
12	86251410	67506	1	RELAY, 15A 36V MINI		
13	86255900	73538	8	STANDOFF, 6-32 X 5/8 HEX NYL		
14	86273990	70067	10	SCR, 6-32 X 3/8 PPHMS		
15	86279300	87134	10	WASHER, #6 LOCK		
16	86002000	14717	2	BREAKER, 3 AMP		
17	86001920	14607	2	BREAKER, 25A 50 VDC CIRCUIT		
18	86001910	14606	3	BREAKER, 30A 50VDC CIRCUIT		
19	86229770	140805	1	BLOCK, SHUNT MOUNT		

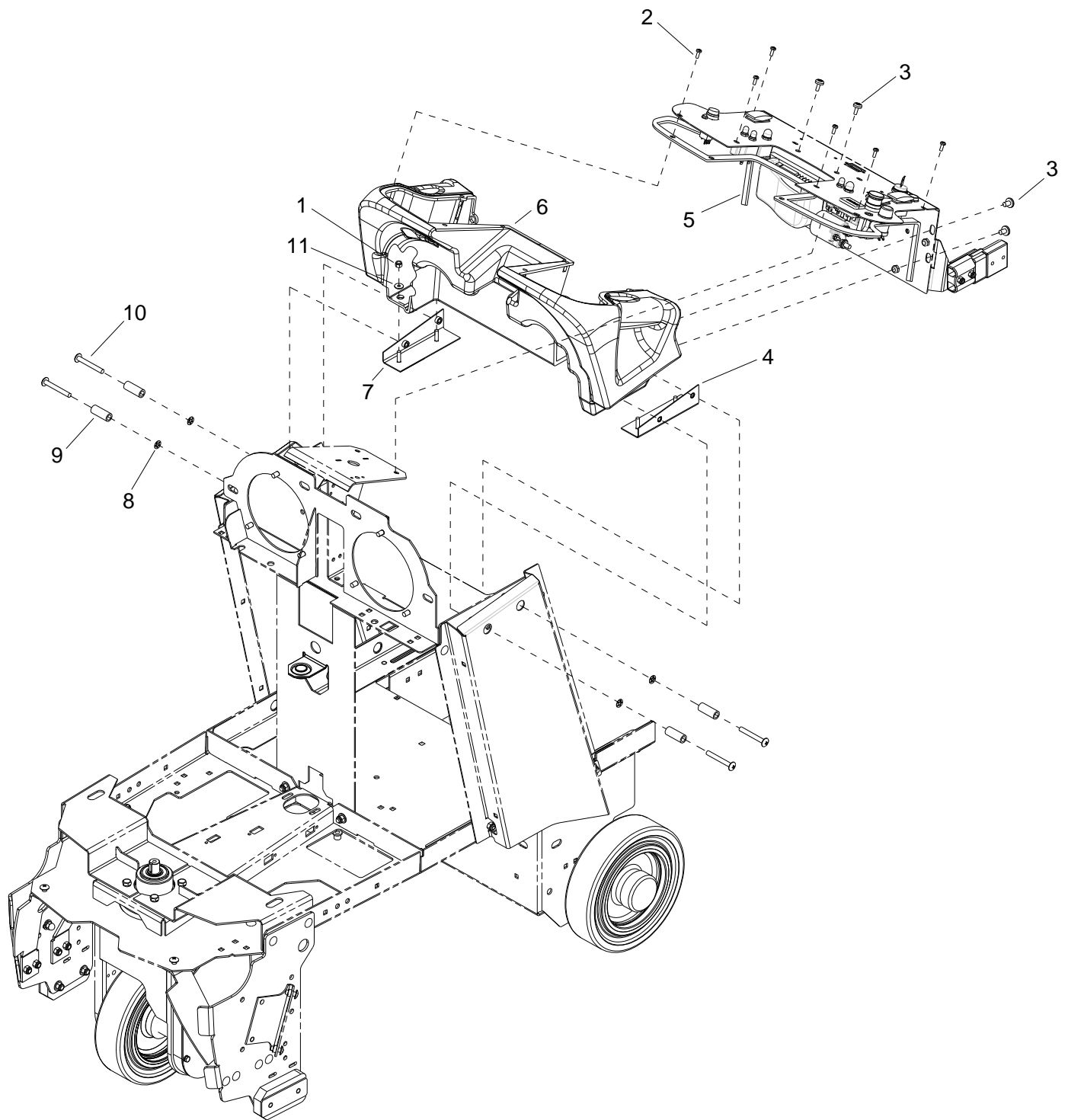
# CONTROL PANEL- LOWER



## CONTROL PANEL-LOWER

REF	PART NO.	PRV NO.	QTY	DESCRIPTION	SERIAL NO. FROM	NOTES:
1	86223740	70872	6	SCR, 1/4-20 X .59 PPHMS SS C		
2	86273820	70019	2	SCR, 1/4-20 X 1.25 HHCS		
3	86277480	70850	3	SCR, 5/16-18 X 1/2 PTHMS SS		
4	86070720	140728	1	BRKT, BATT CONN, BASIC		
5	86008760	80682	1	CONN, 175 DCA GRY W/O TERMS		
6	86005810	57245	8	NUT, 1/4-20 HEX NYLOCK SS		
7	86075310	61039	1	CONTROL PANEL, EXTRACTOR		
8	86271840	57285	3	NUT, 5/16-18 HEX NYLOCK THIN SS		
9	86006370	67315	3	RELAY, 36VDC 100AMP HVY DUTY		
10	86010670	87029	6	WASHER, 5/16 FLAT SS		
11	86279130	87083	6	WASHER, 5/16 SPLIT LOCK PLTD		
12	86271120	57125	6	NUT, 5/16-18 BRASS		
13	86005700	57104	8	NUT, 10-32 W/STAR WASHER PLTD		
14	86027740	27911	1	CONTROLLER, GEAR DRIVE BASIC		

# CONTROL PANEL HOUSING

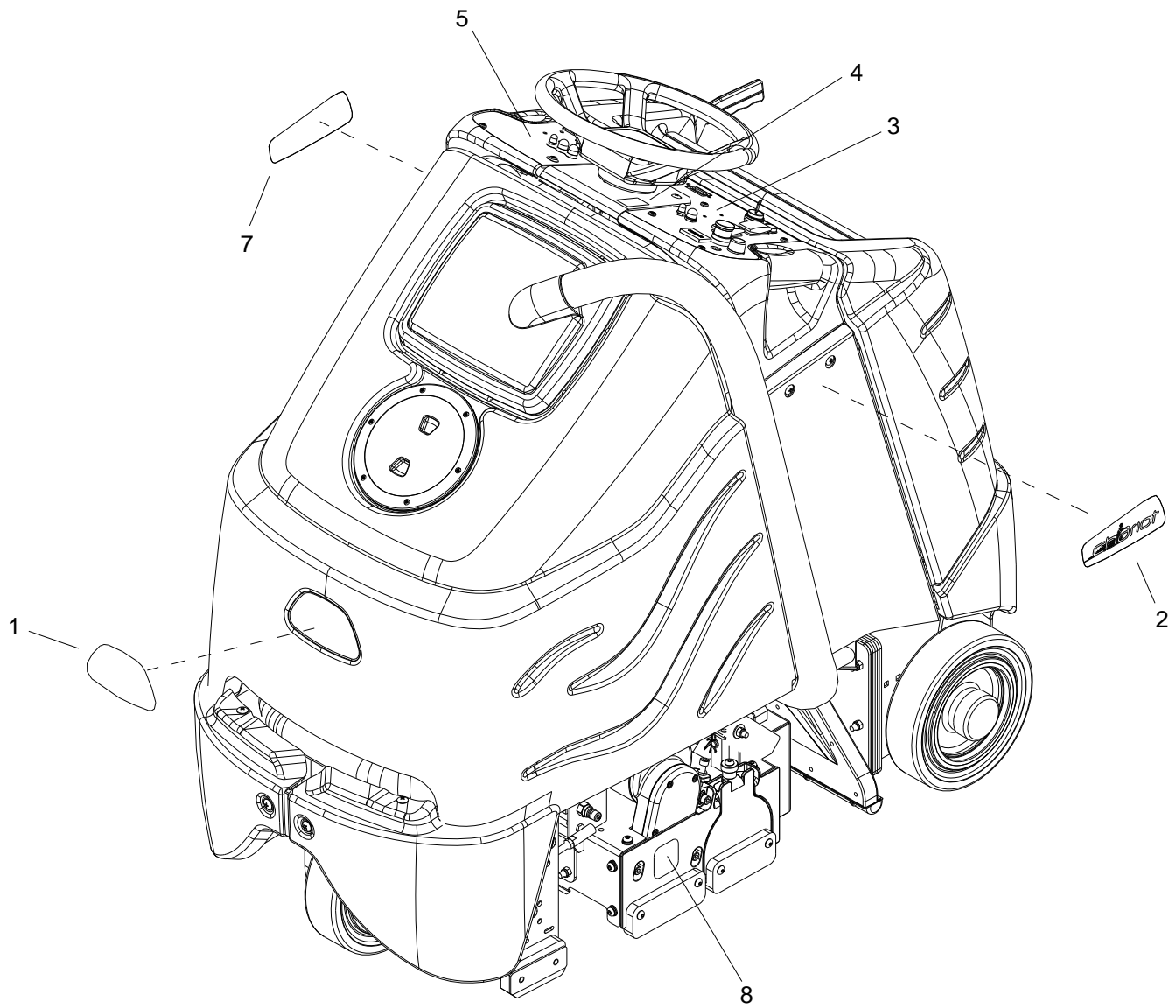




## CONTROL PANEL HOUSING

REF	PART NO.	PRV NO.	QTY	DESCRIPTION	SERIAL NO. FROM	NOTES:
1	86005810	57245	4	NUT, 1/4-20 HEX NYLOCK SS		
2	86290540	-	6	SCR, 10-32 X 1/2 TORX SS BLK NP		
3	86277480	70850	6	SCR, 5/16-18 X1/2 PTHMS SS		
4	86070710	140726	1	BRKT, LEFT CONSOLE MOUNT		
5	86237900	35278	3	GASKET, .125 X .25W X 23L		
6	86031730	270084	1	CONSOLE		
7	86070700	140725	1	BRKT, RIHGT CONSOLE MOUNT		
8	86279750	87252	4	WASHER, RET, PUSHNUT, 5/16 BOLT		
9	86089650	78524	4	TUBE, 5/8 OD X .357 ID X 1.57		
10	86277420	70841	4	SCR, 5/16-18 X 2.5 PTHMS SS		
11	86010630	87013	4	WASHER, 1/4 ID X 5/8 OD SS		

# DECAL

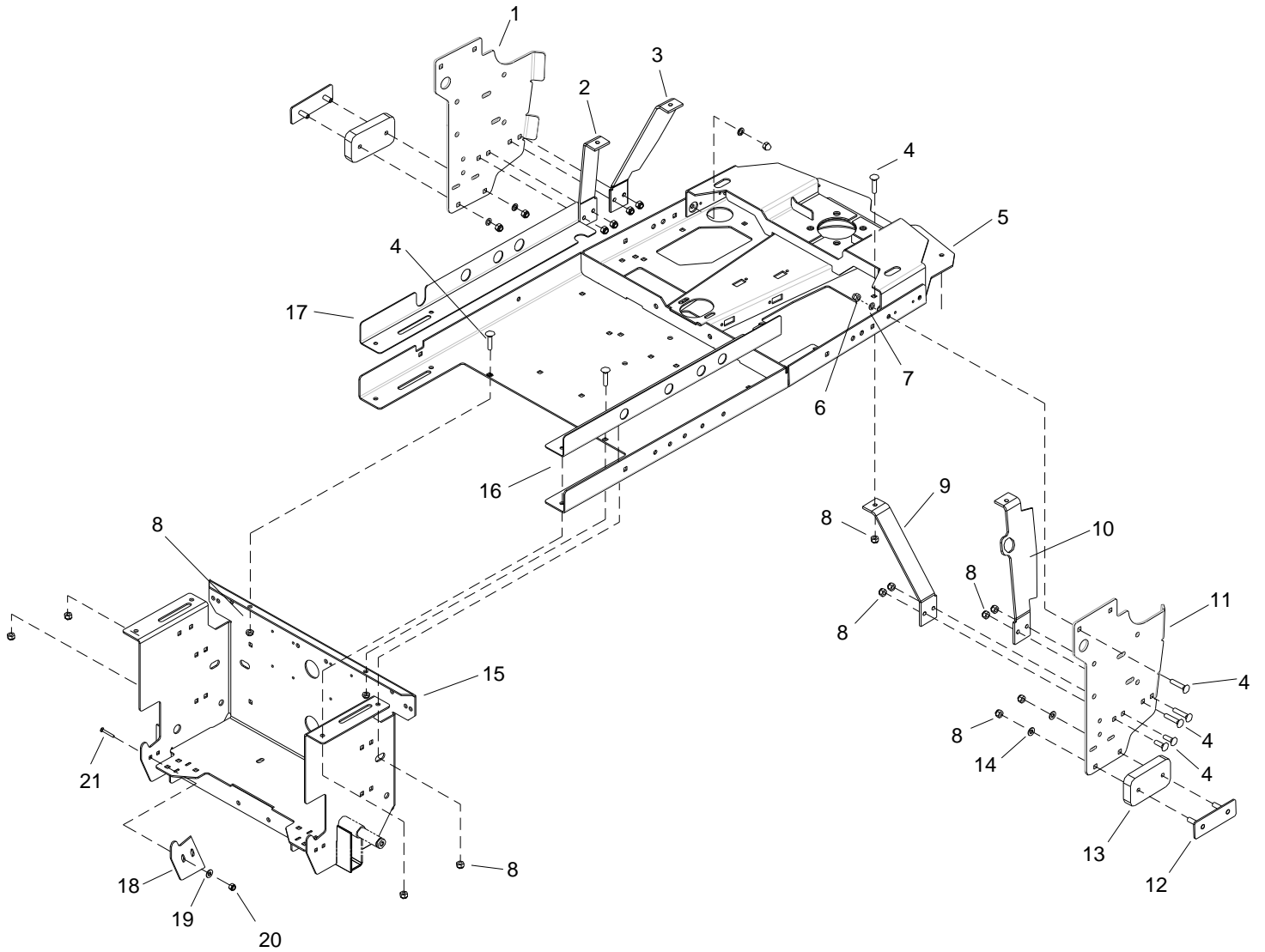


## DECAL

REF	PART NO.	PRV NO.	QTY	DESCRIPTION	SERIAL NO. FROM	NOTES:
1	86004970	50990	1	LABEL, WINDSOR LOGO DOMED		
2	86244820	501230	1	DECAL, CHARIOT IEXTRACT LT		
3	86244190	500882	1	LABEL, PANEL BASIC LEFT		
4	86243990	500780	1	LABEL, COVER PANEL		
5	86244510	501108	1	LABEL, PANEL, EXTRACTOR, RT		
6	OPEN					
7	86244830	501231	1	DECAL, CHARIOT IEXTRACT RT		
8	86298970	-	1	LABEL, CLEAN BRUSHES AND DECK		

**NOTE: See "SAFETY LABEL LOCATION" page for safety label information.**

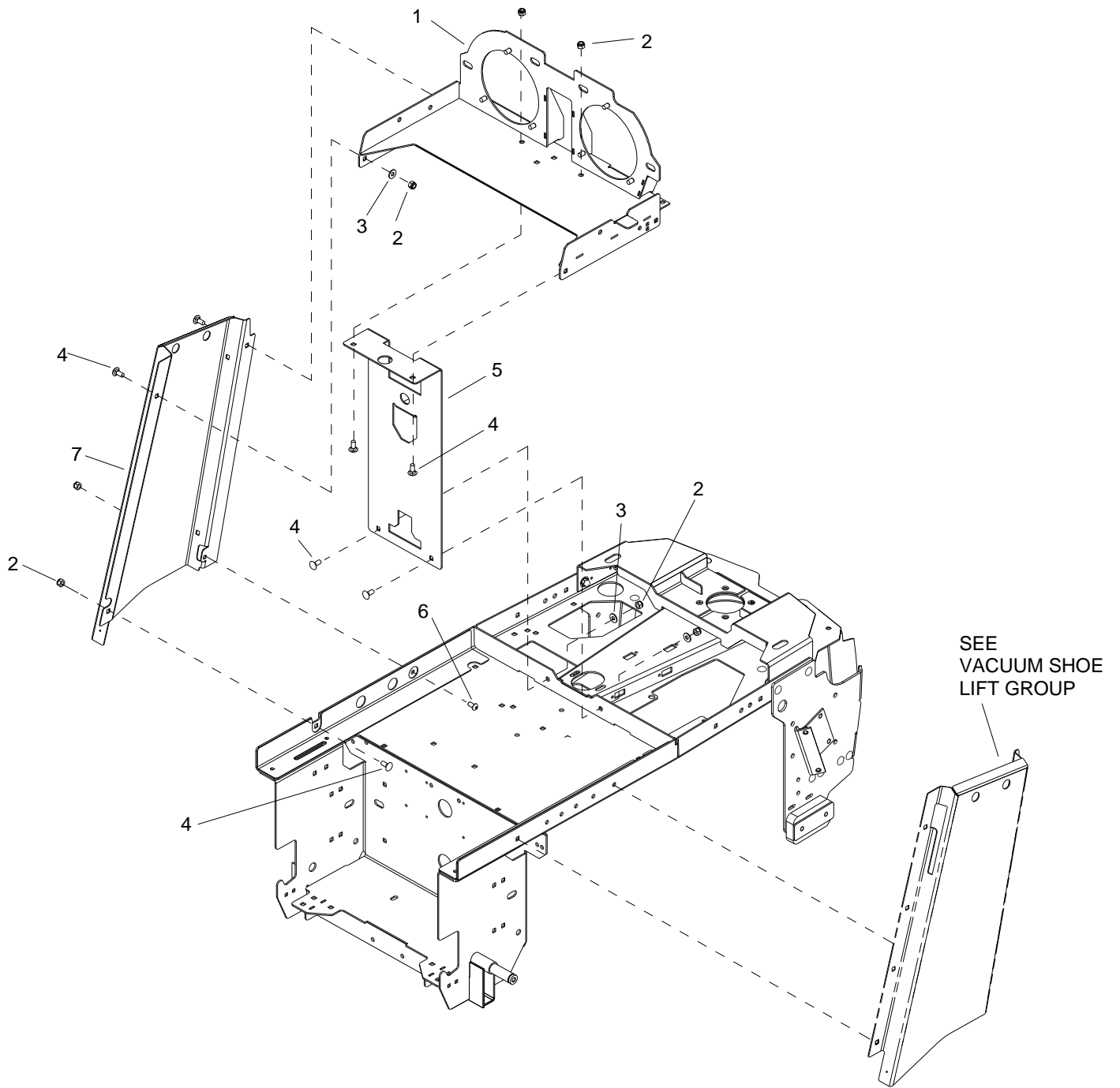
# FRAME-LOWER



**FRAME-LOWER**

REF	PART NO.	PRV NO.	QTY	DESCRIPTION	SERIAL NO. FROM	NOTES:
1	86070750	140731	1	BRKT, LINKAGE, LEFT		
2	86071130	140812	1	BRKT, TIP BRACE, LEFT, REAR		
3	86070760	140733	1	BRKT, BRACE, LEFT FRONT		
4	86276070	70593	16	SCR, 5/16-18 X 3/4 CARRIAGE SS		
5	86092500	34428	1	FRAME, MAIN		
6	86197040	57264	4	NUT, 5/16-18 HEX ACORN PLTD		
7	86279130	87083	4	WASHER, 5/16 SPLIT LICK PLTD		
8	86270830	57023	20	NUT, 5/16-18 HEX NYLOCK SS		
9	86071120	140811	1	BRKT, TIP BRACE, RIGHT, REAR		
10	86071430	140863	1	BRKT, BRACE, RGT FRONT		
11	86070740	140730	1	BRKT, LINKAGE, RIGHT		
12	86079320	620101	2	PLATE, PAD RETAINER		
13	86064300	140790	2	PAD, TIPPING BAR		
14	86010670	87029	4	WASHER, 5/16 FLAT SS		
15	86091420	05251	1	AXLE, REAR WELDMENT		
16	86088760	75458	1	TRAY, SLIDE, LEFT		
17	86088750	75457	1	TRAY, SLIDE, RIGHT		
18	86079290	620097	2	PLATE, REAR COVER ADJ.		
19	86010630	87013	4	WASHER, 1/4 ID X 5/8 OD SS		
20	86271870	57290	4	NUT, 1/4-20 HEX NYLOCK THIN SS		
21	86276950	70772	4	SCR, 1/4-20 X 3/4 CARRIAGE SS		

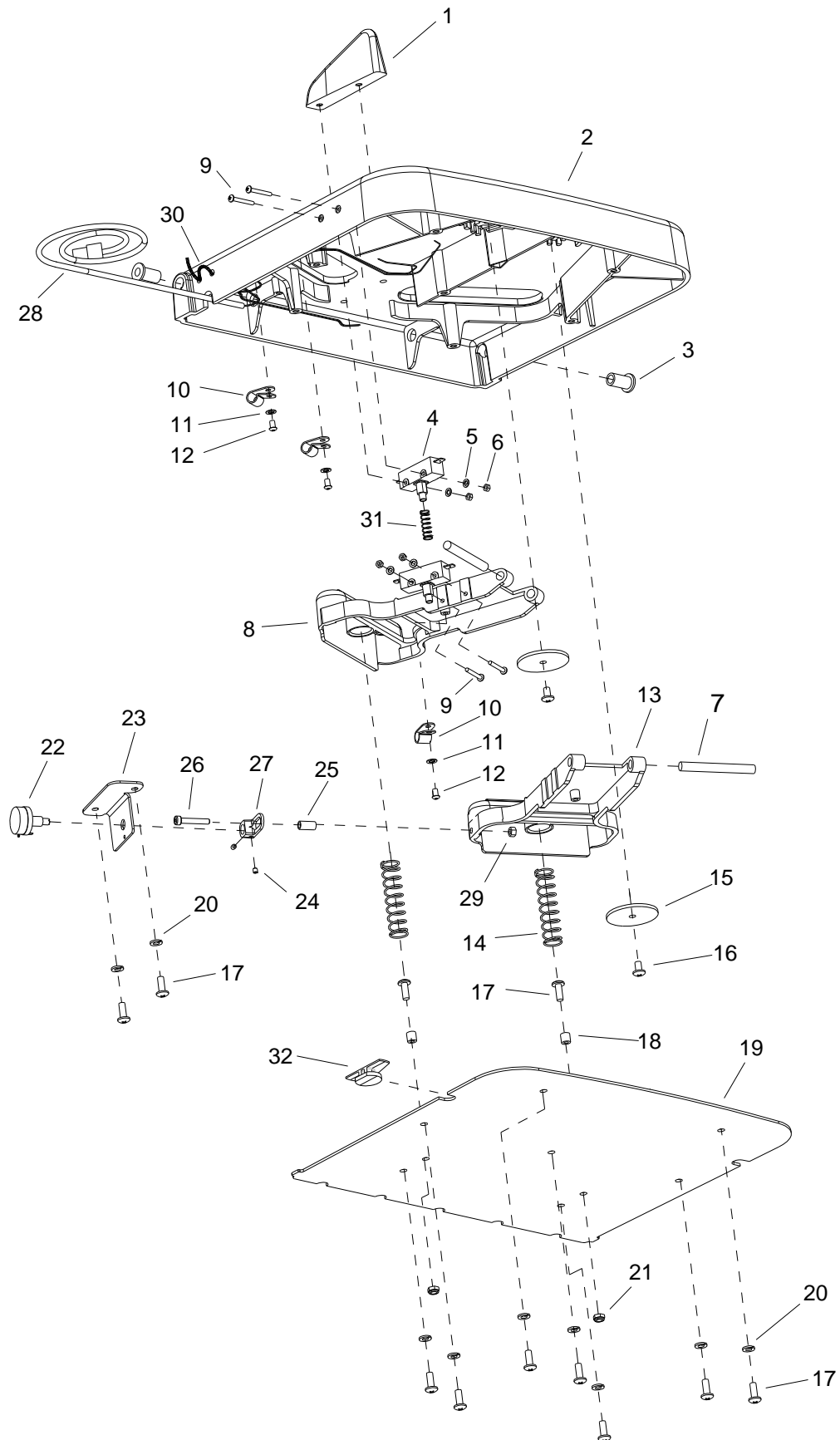
# FRAME-UPPER



## FRAME-UPPER

REF	PART NO.	PRV NO.	QTY	DESCRIPTION	SERIAL NO. FROM	NOTES:
1	86091610	140129	1	BRKT, HORIZ ELECT, EXTRACTOR		
2	86270830	57023	8	NUT, 5/16-18 HEX NYLOCK SS		
3	86010670	87029	5	WASHER, 5/16 FLAT SS		
4	86276070	70593	7	SCR, 5/16 X 3/4 CARRIAGE SS		
5	86083080	66437	1	PLATE, VERT BEARING SUPPORT		
6	86277460	70847	1	SCR, 5/16-18 X 5/8 BSHCS SS		
7	86073500	270090	1	BRKT, SIDE CHANNEL L		

# PEDAL PLATFORM



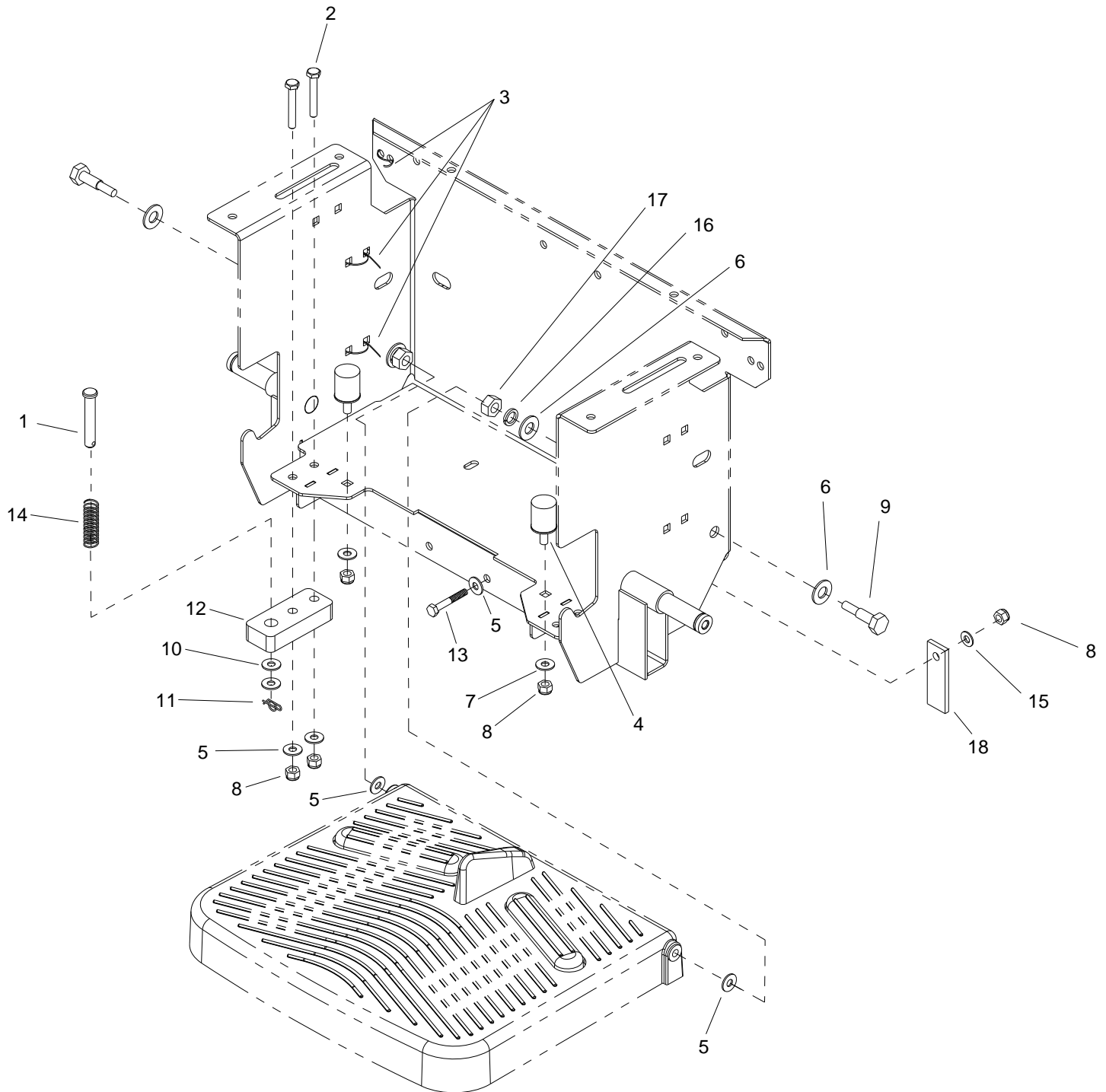


## PEDAL PLATFORM

REF	PART NO.	PRV NO.	QTY	DESCRIPTION	SERIAL NO. FROM	NOTES:
1	86217650	34432	1	DIVIDER		
2	86222700	34429	1	PLATFORM		
3	86216380	140713	2	BUSHING, 8MM X 10LG CLY		
4	86007110	72123	2	SWITCH, 25A SPST 125-250V SNAP		
5	86279720	87248	4	WASHER, M4 INT STAR		
6	86272040	57503	4	NUT, M3.5 X 2.8 HEX		
7	86223580	67502	2	ROD, PIVOT, 8.5MM X 77		
8	86222520	34431	1	PEDAL, BRAKE		
9	86277390	70836	4	SCR, M3.5 X 38 PHMS		
10	86233170	20054	3	CLAMP, 3/8 NYLON UL/CSA		
11	86279730	87249	4	WASHER, M5 INT STAR		
12	86277380	70835	4	SCR, M4.8 X 16 PHTF		
13	86222510	34430	1	PEDAL, THROTTLE		
14	86254970	730304	2	SPRING, COMP 18MM OD X 83 X 2		
15	86222780	620047	2	PLATE, PIVOT		
16	86277360	70833	2	SCR, M6 X 10 PH		
17	86274340	70179	11	SCR, M6 X 16 PH		
18	86224360	730325	2	SPACER 12.7MM ID X 2.78W X 6L		
19	86222810	620050	1	PLATE, COVER		
20	86279140	87085	9	WASHER, M6 SPLIT LOCK DIN127B		
21	86288720	57277	2	NUT, M6 NYLOCK PLATED		
22	86250280	66135	1	POTENTIOMETER, 5K OHMS		
23	86222790	620048	1	PLATE, THROTTLE		
24	86278060	70759	2	SET SCR, M4 X 4MM NP		
25	86224350	730305	1	SPACER, 8MM 16L		
26	86277370	70834	1	SCR, M5 X 30 SHCS		
27	86221850	34433	1	LINK, THROTTLE		
28	86218810	23717	1	HARNESS, TWISTER PEDAL		
29	86136310	57086	1	NUT, M5 HEX		
30	86264920	27049	1	CABLE TIE, 7" UL/CSA		
31	86224750	73993	1	SPRING, COMP, .48OD X 91L		
32	86223260	66085	1	PLUNGER, PLATFORM SWITCH		

**NOTE:** Complete platform assembly is available, Part No. 86028310, PRV No. 41532

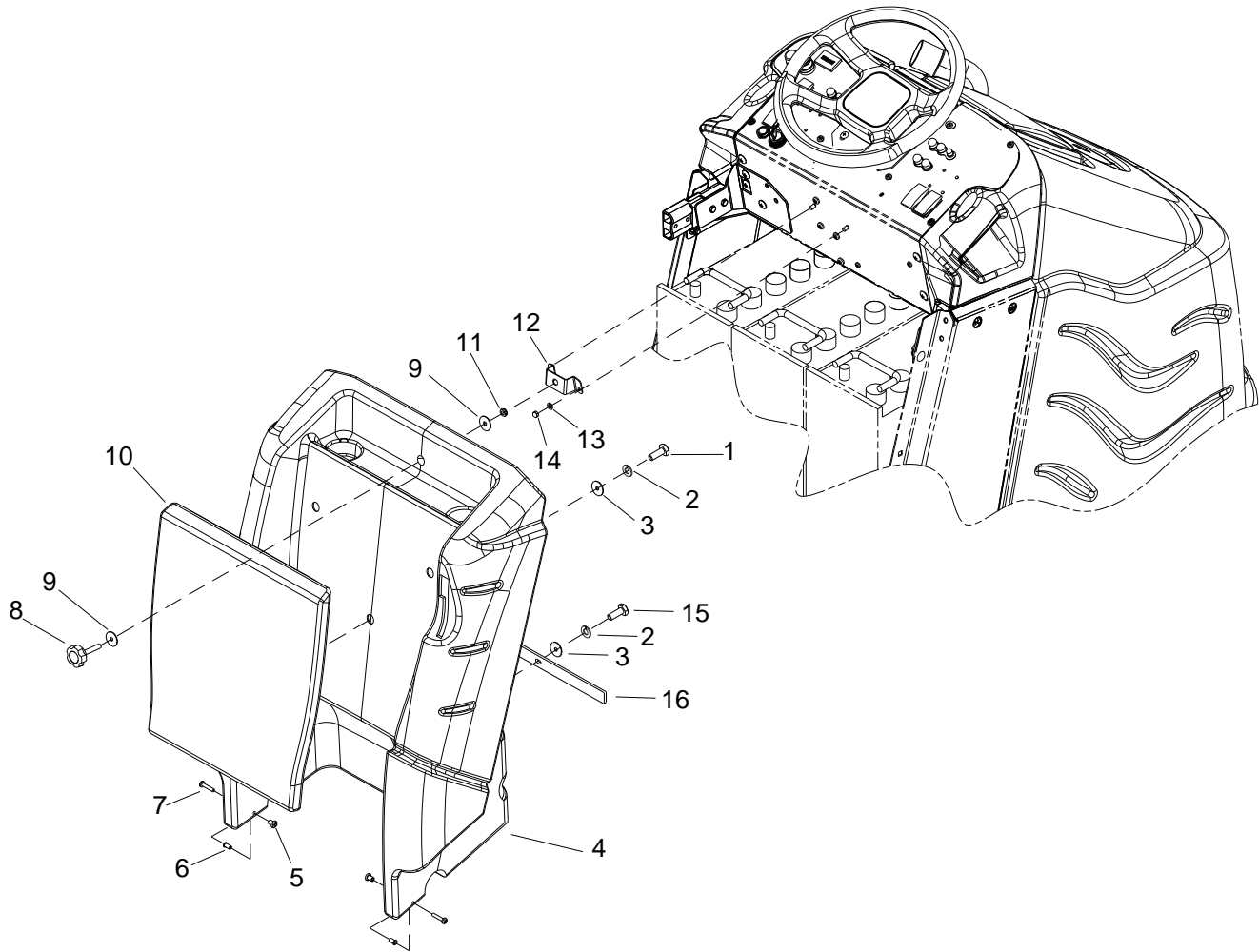
# PEDAL PLATFORM



## PEDAL PLATFORM

REF	PART NO.	PRV NO.	QTY	DESCRIPTION	SERIAL NO. FROM	NOTES:
1	86248920	66487	1	PIN, CLEVIS 1/2 X 2.25		
2	86274690	70258	2	SCR, 5/16-18 X 1.5 HHCS GR5PLT		
3	86264920	27049	3	CABLE TIE, 7" UL/CSA		
4	86231070	730328	2	BUMPER, 1 X 1.375 RUBBER		
5	86010670	87029	5	WASHER, 5/16 FLAT SS		
6	86259430	87485	4	M12 FLAT WASHER		
7	86010770	87143	2	WASHER, 7/16ID X1D.08 FLT SS		
8	86270830	57023	5	NUT, 5/16-18 HEX NYLOCK SS		
9	86256470	70852	2	STUB AXLE, M12-1.75 X 45MM		
10	86278850	80613	2	WASHER, .506ID X .94D X .064 NYL		
11	86008680	80607	1	COTTER, 1/2" RING		
12	86064480	629993	1	PLATE, SWITCH BASE		
13	86276980	70775	1	SCR, 5/16-18 X 2 HHCS SS		
14	86007780	73576	1	SPRING, COMP .60D X2.0L X .045W		
15	86279630	87212	1	WASHER, .344ID X 1.13OD X .09T PLT		
16	86259440	87486	2	WASHER, M12 SPRING LOCK		
17	86271190	57142	2	NUT, M12 X 1.75 HEX DIN934 PLT		
18	86256130	730402	1	STRAP, STATIC .2T X 1W X 3L		

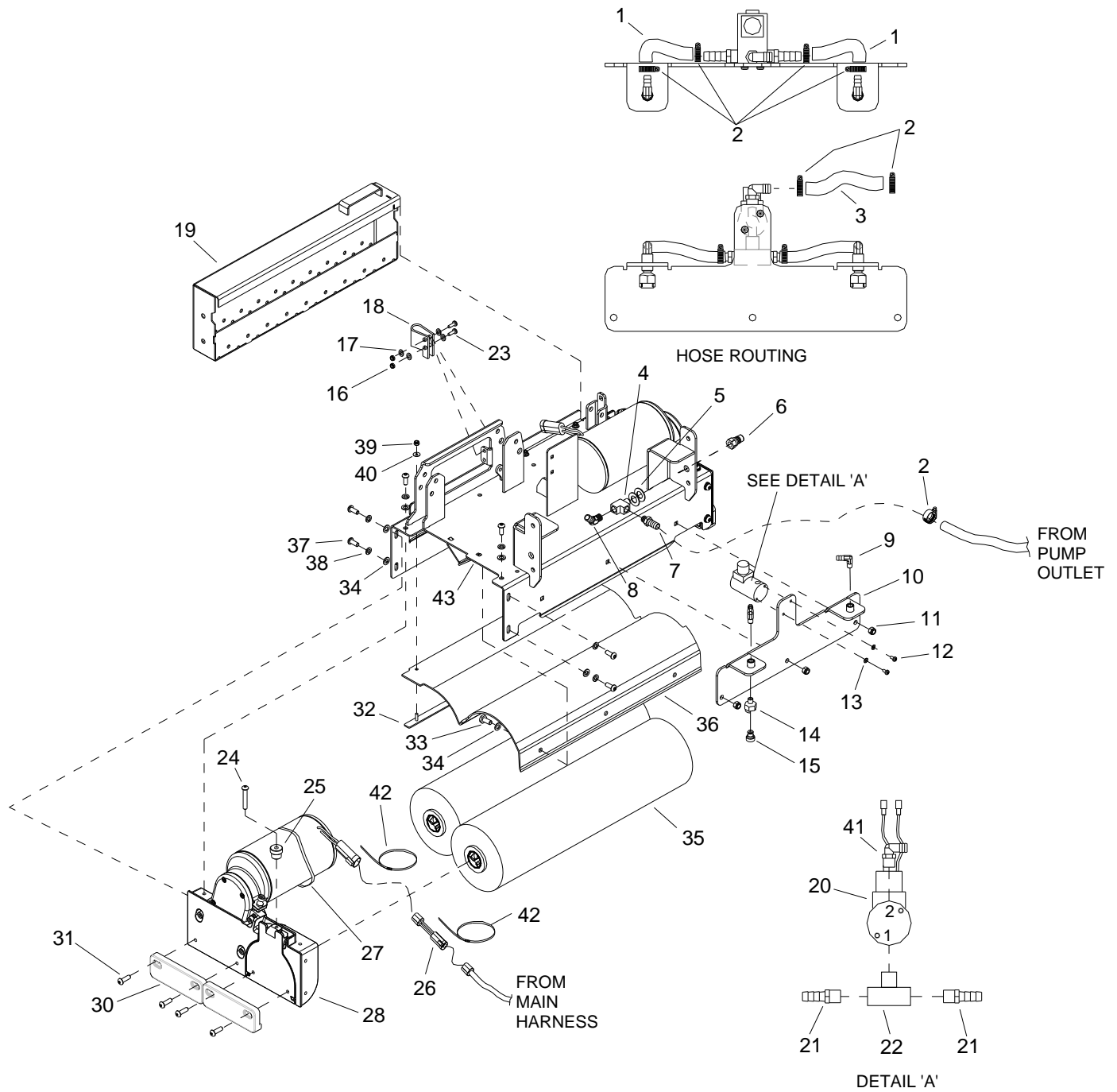
# REAR COVER



## REAR COVER

REF	PART NO.	PRV NO.	QTY	DESCRIPTION	SERIAL NO. FROM	NOTES:
1	86276780	70728	3	SCR, 5/16-18 X 3/4 HHCS SS		
2	86279130	87083	5	WASHER, 5/16 SPLIT LOCK PLTD		
3	86010670	87029	5	WASHER, 5/16 FLAT SS		
4	86031790	270701	1	COVER, REAR		
5	86005860	57273	2	NUT, 1/4-20 X 12MM HEX BARREL		
6	86228980	09152	2	BEARING FLANGED .377ID X .505OD		
7	86275870	70556	2	SCR, 1/4-20 X 1.5" PPHMS SS		WAS 70697
8	86242140	72193	1	KNOB, 3/8-16 X 1.5		
9	86010770	87143	2	WASHER, 7/16ID X 1D X .08FLT SS		
10	86248380	66433	1	PAD, FLAT LEANING		
11	86005630	57022	1	NUT, 3/8-16 HEX NYLOCK THIN SS		
12	86071030	140786	1	BRKT, ASSEMBLY, REAR COVER		
13	86010780	87162	2	WASHER, 1/4 SPLIT LOCK		
14	86271940	57299	2	NUT, 1/4-20 ACORN SS		
15	86006560	70083	2	SCR, 5/16-18 X 1 HHCS SS		
16	86066940	140891	1	BAR, COVER		

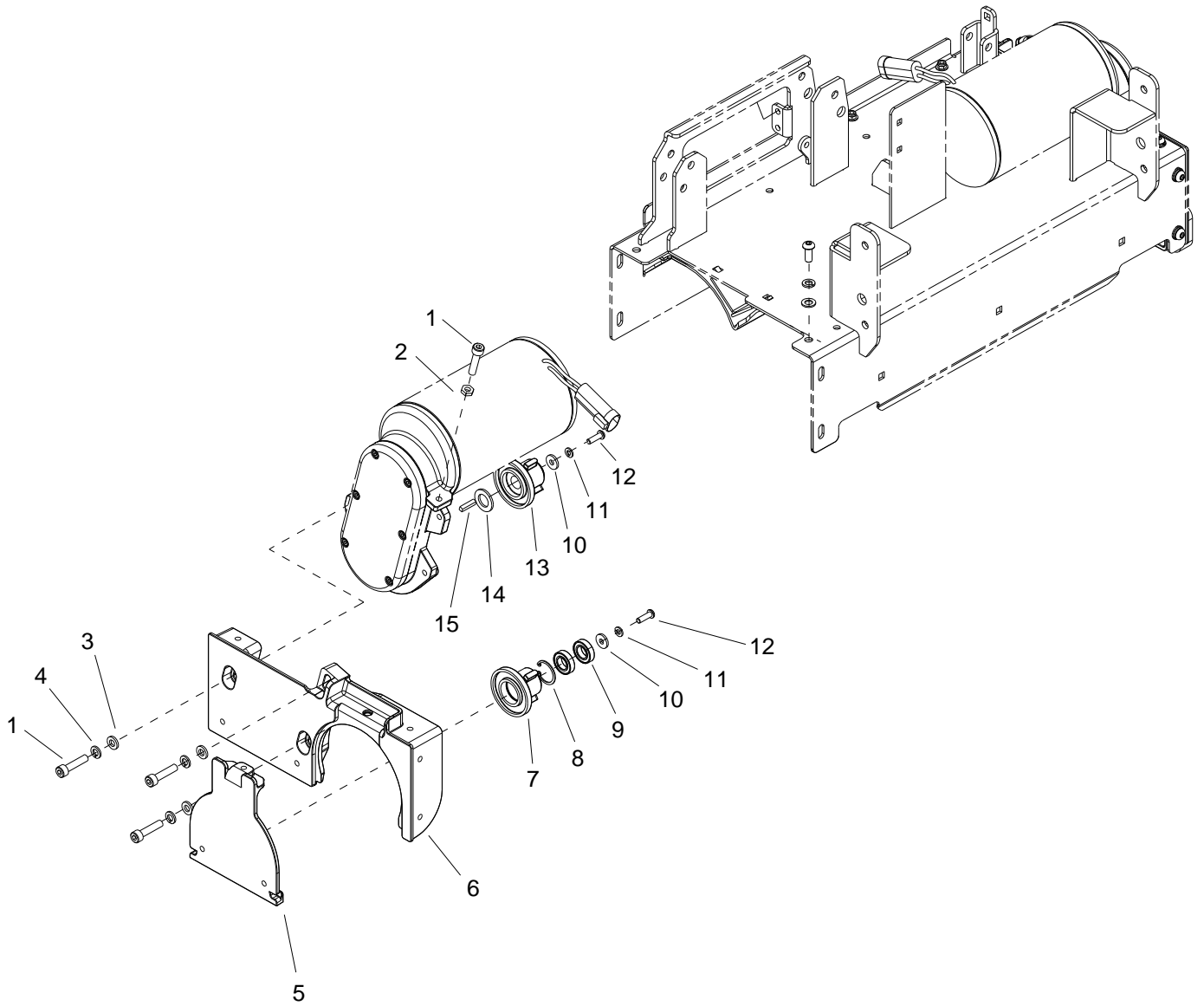
# SCRUB DECK



## SCRUB DECK

REF	PART NO.	PRV NO.	QTY	DESCRIPTION	SERIAL NO. FROM	NOTES:
1	86281150	39282	2	HOSE, 3/8 ID WIRE BOUND X 7"		
2	86233150	20042	7	CLAMP, 3/8 HOSE (D-SLOT)		
3	86281100	39274	1	HOSE, 1/2ID WIRE BOUND X 7"		
4	86197760	78308	1	TEE, 1/4 STREET		
5	86010730	87088	2	WASHER, 5/8 ID X 1.18 X .06 SS		
6	86005580	56012	1	NIPPLE, 1/4 FPT QD		
7	86197570	40028	1	HOSEBARB, 1/4MPT X 1/2 DL		
8	86184900	790601	1	HOSEBARB, 1/4MPT X 1/2H 45 BR		
9	86197590	40031	2	HOSEBARB, 1/8MPT X 3/8 90 D		
10	86073620	67017	1	BRKT, JET MOUNT		
11	86270830	57023	3	NUT, 5/16-18 HEX NYLOCK SS		
12	86274290	70162	2	SCR, 10-32 X 3/8 PPHMS SS		
13	86010640	87016	2	WASHER, #10 LOCK EXT STAR SS		
14	86004570	44067	2	JET BODY, MINI PROMAX BODY		
15	86241730	44107	2	JET MINI PROMAX 9506		
16	86271870	57290	2	NUT, 1/4-20 HEX NYLOCK THIN SS		
17	86010630	87013	4	WASHER, 1/4 ID X 5/8 OD SS		
18	86255950	73869	1	STOP, MOUNT		
19	86092840	41535	1	HOPPER, CYL. SCRUB DECK 24		
20	86258870	84168	1	VALVE, 120V 110 PSI SOLENOID		
21	86197550	40014	2	HOSEBARB, 1/4MPT X 3/8 DL		
22	86197730	78024	1	TEE, 1/4 BRANCH		
23	86006530	70057	2	SCR, 1/4-20 X 1 PPHMS SS		
24	86277150	70797	2	SCR, 5/16-18 X 2 BSHCS SS		
25	86242120	48090	2	KNOB, 1.0 OD X 5/16-18		
26	86260400	880212	1	WIRE ASM, REV POLARITY JUMPER		
27	86002830	27196	2	CABLE TIE, .375 X 24.7		
28	86217740	53815	2	DRIVE MOTOR (2 UNITS/CARTON)		
29	-	OPEN	-	-		
30	86078060	149997	4	PAD, SKID BAR, LARGE		
31	86277530	70861	8	SCR, M8 X 1.25 X 20LG BSHCS SS		
32	86086100	66859	1	RETAINER, DEFLECTOR		
33	86006560	70083	3	SCR, 5/16-18 X 1 HHCS SS		
34	86010670	87029	15	WASHER, 5/16 FLAT SS		
35	86230500	02498	2	BRUSH, 24" CYL, C-NYLON		
36	86064010	29270	1	DEFLECTOR, MACHINED		
37	86277530	70861	12	SCR, M8X1.25 X 20 LG BSHCS SS		
38	86279130	87083	12	WASHER, 5/16 SPLIT LOCK PLTD		
39	86270990	57090	4	NUT, 10-32 HEX NYLOCK SS		
40	86010650	87018	4	WASHER, #10 X 9/16 OD		
41	86197630	40042	1	HOSEBARB, 1/4MPT X 1/2H 90D DL		
42	86264940	27051	3	CABLE TIE, 11.38" UL/CSA		
43	86092540	34453	1	FRAME, EXTRACTOR DECK 24IN		

# SCRUB DECK MOTORS

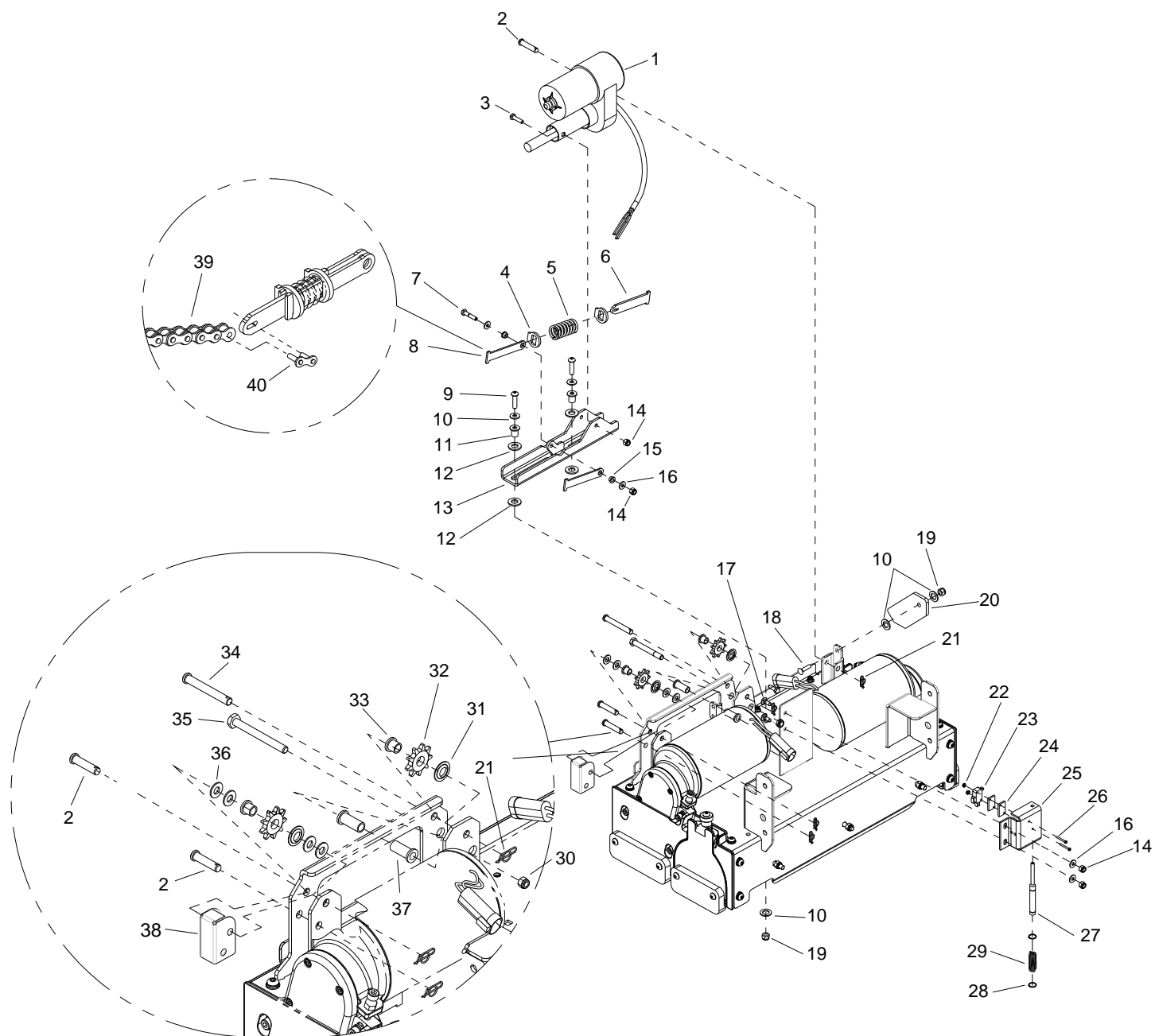




## SCRUB DECK MOTORS

REF	PART NO.	PRV NO.	QTY	DESCRIPTION	SERIAL NO. FROM	NOTES:
1	86277880	70855	8	SCR, M8-1.25 X 35 LG SHCS SS		
2	86222330	57504	2	NUT, M8 -1.25 HEX JAM SS		
3	86279790	87489	6	WASHER, M8 (THICK) FLAT SS		
4	86137310	87098	6	WASHER, M8 SPLIT LOCK		
5	86217710	29268	2	DOOR, CYLINDRICAL BRUSH		
6	86219290	34418	2	HOUSING, SCRUB PLUS DRIVE		
7	86219450	41488	2	HUB, TRI-STAR BRUSH IDLER		
8	86223520	67598	2	RING, 28 MM INT SNAP PHOSPHATE		
9	86228960	09149	4	BEARING, 15 X 28 X 7W SS BALL		
10	86279770	87487	4	WASHER, M6 LARGE OD FLAT SS		
11	86279140	87085	4	WASHER, M6 SPLIT LOCK DIN127B		
12	86277870	70854	4	SCR, M6-1.0 X 20 LG BHSCS SS		
13	86219440	41487	2	HUB, TRI-STAR BRUSH DRIVE		
14	86279780	87488	2	WASHER, M16 SMALL OD FLAT SS		
15	86004820	48041	2	KEY, 3/16 SQ X 7/8 CRS		

# SCRUB DECK LIFT ACTUATOR

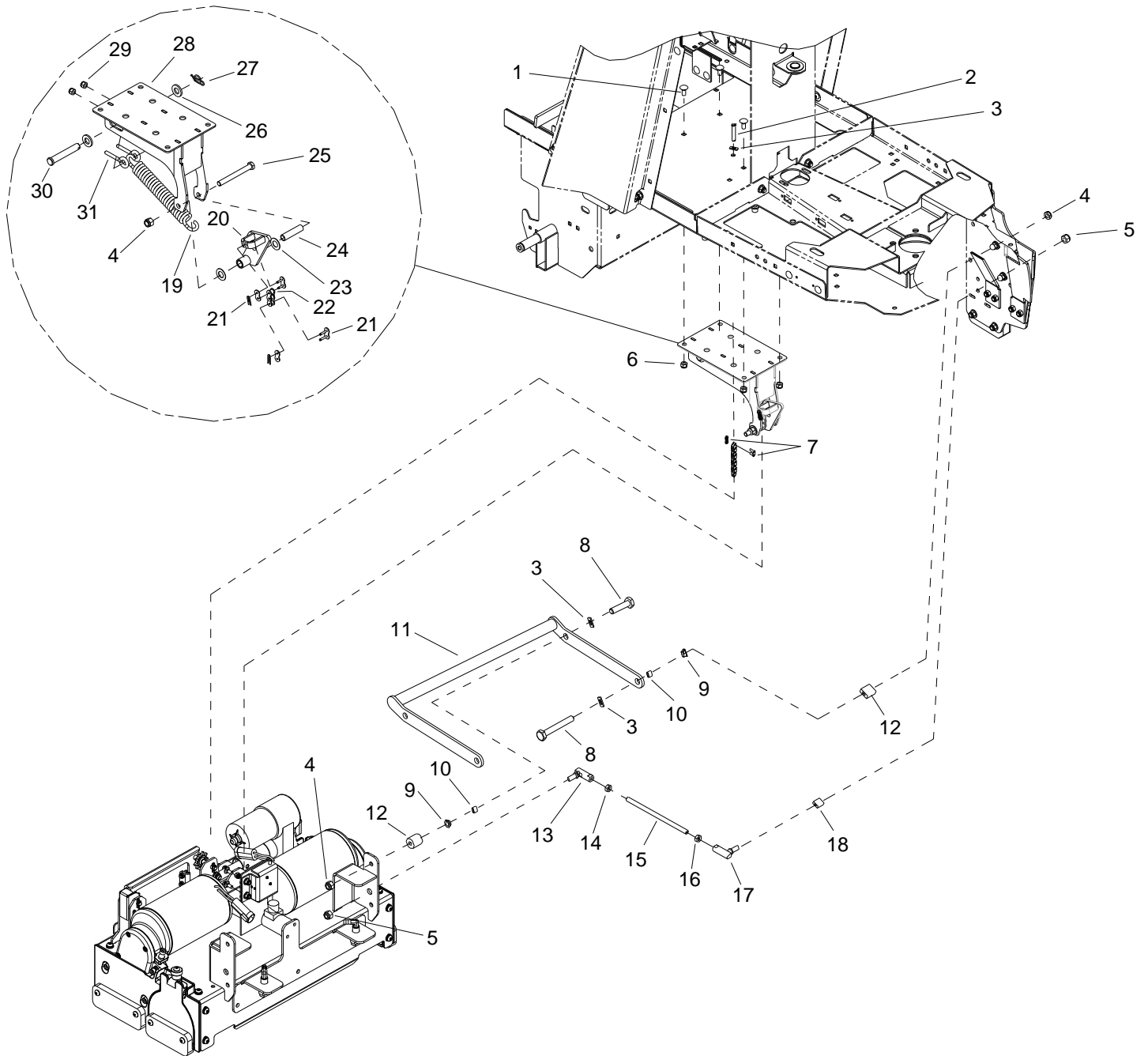


## SCRUB DECK LIFT ACTUATOR

REF	PART NO.	PRV NO.	QTY	DESCRIPTION	SERIAL NO. FROM	NOTES:
1	86011950	-	1	ACTUATOR, 36VDC, 3.5 IN STRK	*(1)	WAS 05250
2	86248980	81438	3	PIN, CLEVIS 3/8 X 1.75 PLTD		
3	86006910	70443	2	SCR, 1/4-20 X 5/8 SHCS		
4	86090330	87258	2	WASHER, .804ID X 1.25OD X .179		
5	86278400	730351	1	SPRING, COMP., 1.10 OD X 2.25 L X 148		
6	86066920	140852	1	BAR, COMP. SPRING RETAINER		
7	86273820	70019	1	SCR, 1/4-20 X 1.25 HHCS SS		
8	86070190	140581	2	BRKT, SCRUB DECK GUIDE 36V		
9	86276760	70724	2	SCR, 5/16-18 X 1.25 BSHCS SS		
10	86010670	87029	6	WASHER, 5/16 FLAT SS		
11	86228840	09124	2	BEARING, FLANGED .314 ID X .502 OD		
12	86259420	87232	4	WASHER, THRUST .51ID X 1OD		
13	86091840	140850	1	BRKT, ACTUATOR SLIDER		
14	86005810	57245	5	NUT, 1/4-20 HEX NYLOCK SS		
15	86231360	14744	2	BUSH, BRZ FLG .25 X .38 X .25		
16	86010630	87013	4	WASHER, 1/4 ID X 5/8 OD SS		
17	86277500	70853	2	SCR, 1/4-20 X 5/8 CARR SS		
18	86277130	70795	1	SCR, 5/16-18 X 1.00 CARRIAGE SS		
19	86270830	57023	3	NUT, 5/16-18 HEX NYLOCK SS		
20	86069440	140442	1	BRKT, LATCH		
21	86008670	80606	4	COTTER, 3/8" RING		
22	86271280	57163	2	NUT, 4-40 W/STAR WASHER		
23	86007160	72157	1	SWITCH, 10A ROLLER MINI		
24	86087520	73456	2	SPACER, L2020B PLUNGER SWITCH		
25	86072460	14387	1	BRKT, MICRO SWITCH MOUNT		
26	86276010	70580	2	SCR, 4-40 X 1.0 PPHMS		
27	86223270	66482	1	PLUNGER, MICRO SWITCH		
28	86270270	27721	2	CLIP, RETAINING 7/16		
29	86007780	73576	1	SPRING, COMP .60D X 2.0L X .045W		
30	86005630	57022	1	NUT, 3/8-16 HEX NYLOCK THIN SS		
31	86222270	57276	2	NUT, PUSH FLAT RD .51 ID		
32	86255650	81627	2	SPROCKET, #41 1/2" P 9T		
33	86229000	09154	2	BEARING FLG .377ID X .502 OD X .500		
34	86272520	66392	1	PIN, CLEVIS 3/8 X 2.75 PLTD		
35	86276400	70642	1	SCR, 3/8-16 X 3 HHCS		
36	86010680	87030	4	WASHER, 3/8 ID X 3/4 OD NYLON		
37	86228910	09139	2	BEARING, FLANGED .377 ID X .502 OD		
38	86290090	-	1	GUARD, CHAIN	*(2)	
39	86232680	270114	1	CHAIN, #41, 1/2" PITCH X 34 P		
40	86009400	81873	1	CHAIN, #41 1/2" P MASTER LINK		

\* SEE SERIAL NUMBER PAGE

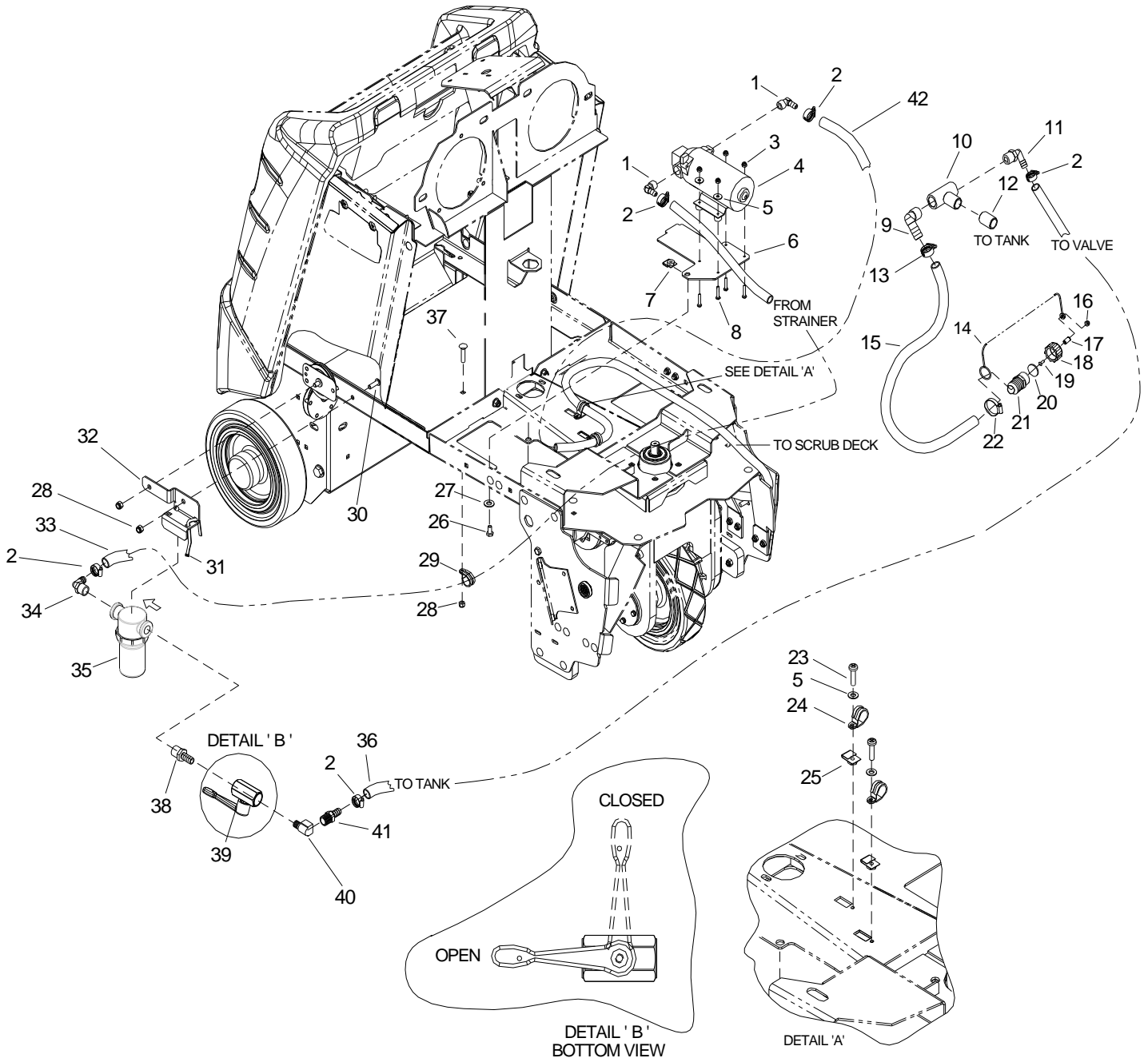
# SCRUB DECK LIFT LINKAGE



## SCRUB DECK LIFT LINKAGE

REF	PART NO.	PRV NO.	QTY	DESCRIPTION	SERIAL NO. FROM	NOTES:
1	86276070	70593	4	SCR, 5/16-18 X 3/4 CARRIAGE SS		
2	86272380	66217	1	PIN, CLEVIS 3/8 X .75 PLTD		
3	86010770	87143	5	WASHER, 7/16 ID X 1 D X .08 FLT SS		
4	86005630	57022	5	NUT, 3/8-16 HEX NYLOCK THIN SS		
5	86271530	57216	4	NUT, 3/8-27 HEX NYLOCK		
6	86270830	57023	4	NUT, 5/16-18 HEX NYLOCK SS		
7	86009400	81873	1	CHAIN, #41 1/2" P MASTER LINK		
8	86274660	70255	2	SCR, 3/8-16 X 1.5 HHCS GR5 PLT		
9	86009050	81324	4	BEARING, 1/2 ID X 11/32L NYLON		
10	86008460	80102	4	SPACER, .500 OD X .391 ID X .400		
11	86093180	51415	1	LINKAGE ASM, DECK ARM		
12	86224370	730335	4	SPACER, 1 OD X .391 ID X .500		
13	86001320	140353	2	BALL JOINT ASSY, 3/8-24 LH		
14	86005830	57263	2	NUT, 3/8-24 UNF LH		
15	86223540	66483	2	ROD, SCRUB LIFT		
16	86005800	57217	2	NUT, 3/8-24 HEX JAM		
17	86008810	80697	2	BALL JOINT ASY, 3/8-24 RH		
18	86087580	73606	2	SPACER, 1/2 OD X .058 W X .26 LG CRS		
19	86254980	730312	1	SPRING, EXT 1.312D X 8.00L X .225 W		
20	86026210	68023	1	PIVOT ARM, W/BEARINGS		
21	86002850	27343	2	CHAIN, #40, 1/2 P MASTER LINK		
22	86232820	27981	1	CHAIN, #40, 1/2 PITCH X 4 ROLLER		
23	86009100	81396	2	WASHER FIBERGLIDE 1/2" ID X 1" OD		
24	86257830	66879	1	TUBE, .50 OD X .377 ID X 1.656		
25	86275840	70550	1	SCR, 3/8-16 X 2.5 HHCS GR5 PLTD		
26	86279260	87119	1	WASHER, .53 ID X 1.0 OD X .060 PLTD		
27	86008680	80607	1	COTTER, 1/2" RING		
28	86093560	68021	1	PIVOT ASSY DECK LIFT		
29	86271870	57290	2	NUT, 1/4-20 HEX NYLOCK THIN SS		
30	86272320	66151	1	PIN, CLEVIS 1/2 X 2.75 LG		
31	86270310	70760	2	EYEBOLT, 1/4-20 X 1.5 PLTD		

# SOLUTION



## SOLUTION

REF	PART NO.	PRV NO.	QTY	DESCRIPTION	SERIAL NO. FROM	NOTES:
1	86197940	40027	2	HOSEBARB, 3/8MPT X 1/2 OD 90D DL		
2	86233150	20042	5	CLAMP, 3/8 HOSE (D-SLOT)		
3	86270990	57090	4	NUT, 10-32 HEX NYLOCK SS		
4	86006100	65176	1	PUMP ASM, 36 V ACCESSORY		
5	86010650	87018	6	WASHER, #10 X 6/16 OD		
6	86070690	140724	1	BRKT, SOLUTION PUMP		
7	86271820	57270	1	NUT, 5/16-18 CAPTIVE "J" PLTD		
8	86274410	70195	4	SCR, 10-32 X 1.25 PPHMS SS		
9	86240600	41526	1	HOSEBARB, 3/4 MPT X 1, HOSE 90 DEG		
10	86198050	81923	1	TEE, 3/4 FPT		
11	86240390	40075	1	HOSEBARB, 3/4 MPT X 1/2 90D		
12	86247760	80960	1	NIPPLE, 3/4 CLOSE PVCE		
13	86233300	20101	1	CLAMP, 1.25" WORM GEAR SS		
14	86246090	51461	1	LANYARD, .093 X 6", 1" LOOP-.26 EYE		
15	86004310	39505	1	HOSE, 1.0 X 18.0 DRAIN		
16	86248010	57312	1	NUT, 8-32 ACORN CAP, PLATED		
17	86254320	730400	1	SPACER, .17 ID X .25 OD X 3/16LG		
18	86073960	22104	1	CAP, 3/4" GHT W/ .17 HOLE		
19	86252730	70887	1	SCR, 8-32 X 1/2 BHCS SST		
20	86259450	87507	1	WASHER, 1.0 OD X .1 THK, SEAL		
21	86226950	40109	1	1" HOSEBARB X 3/4" GHT NYLON		
22	86233110	20018	1	CLAMP, 1.0" WORM GEAR		
23	86274070	70086	2	SCR, 10-24 X 1/2 PPHMS		
24	86233390	80887	2	CLAMP, 7/8 DIA "P" CUSHIONED		
25	86270860	57028	2	NUT, 10-24 U-TYPE SPEED		
26	86276780	70728	1	SCR, 5/16-18 X 3/4 HHCS SS		
27	86279130	87083	1	WASHER, 5/16 SPLIT LOCK PLTD		
28	86270830	57023	2	NUT, 5/16-18 HEX NYLOCK SS		
29	86233410	81270	1	CLAMP, 3/4 DIA CUSHION .406 DIA		
30	86277460	70847	1	SCR, 5/16-18 X 5/8 BSHCS SS		
31	86264920	27049	2	CABLE TIE, 7" UL/CSA		
32	86068780	140202	1	BRKT, STRAINER MNT		
33	86282370	39735	1	HOSE, 1/2 ID WIRE BOUND X 58"		
34	86001530	40039	1	HOSEBARB, 1/2 MPT X 1/2 HOSE 90	*(3)	
35	86256120	730368	1	STRAINER, 1/2 FPT 100 MESH	*(3)	
-	86252980	730369	-	SCREEN, 100 MESH		
36	86282360	39734	1	HOSE, 1/2 ID WIRE BOUND X 28"		
37	86276070	70593	1	SCR, 5/16-18 X 3/4 CARRIAGE SS		
38	86188210	11-800354	1	NIP, 1/2 X 3/8 HEX BR	*(3)	
39	86225680	84201	1	VALVE, 3/8" FPT BALL	*(3)	
40	86197420	31026	1	ELBOW, 3/8 NPT STREET	*(3)	
41	86197540	40013	1	HOSEBARB, 3/8 MPT X 1/2 DL	*(3)	
42	86281940	39540	1	HOSE, 1/2 ID WIRE BOUND X 40"		

\* SEE SERIAL NUMBER PAGE

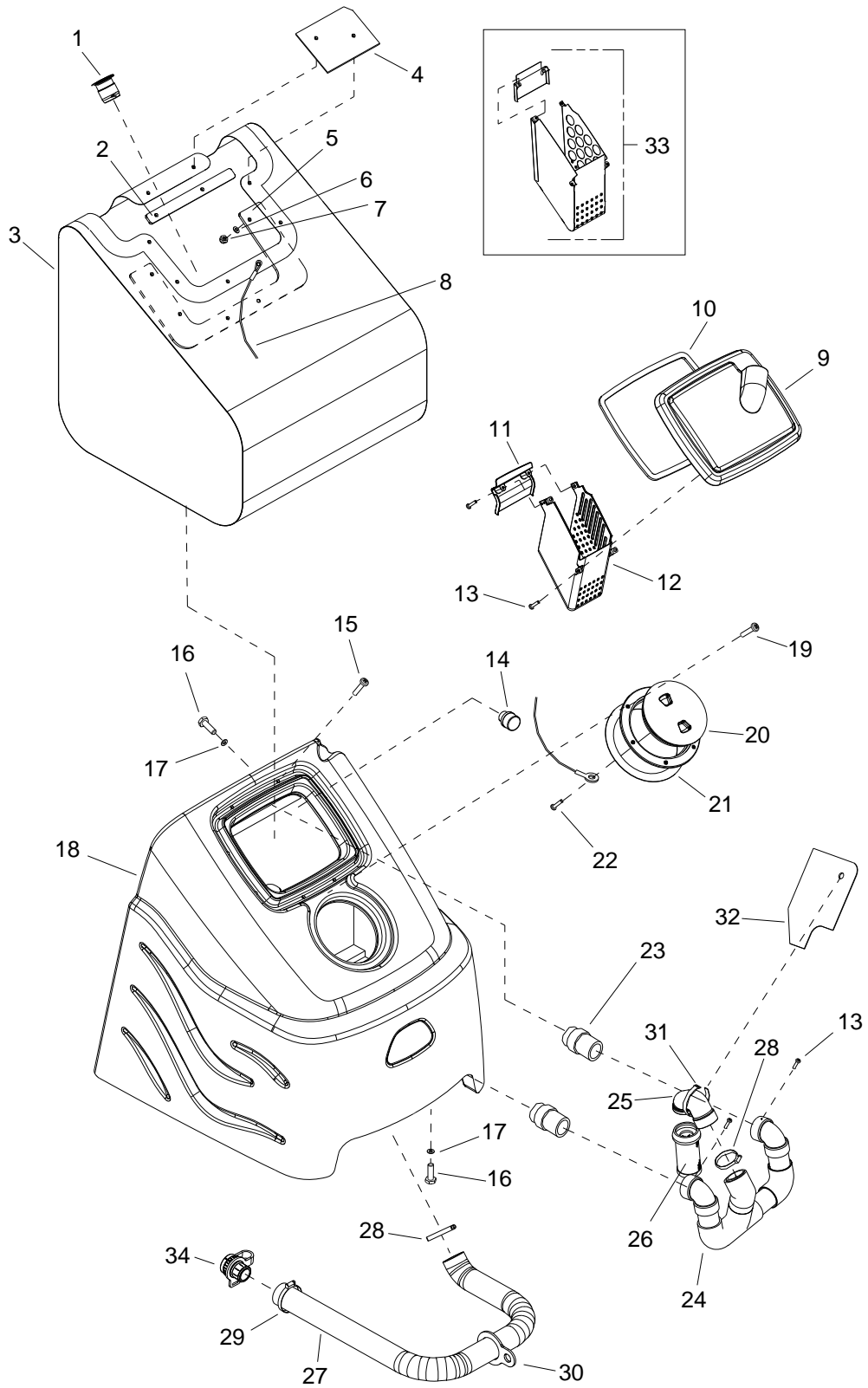




## STEERING

REF	PART NO.	PRV NO.	QTY	DESCRIPTION	SERIAL NO. FROM	NOTES:
1	86271610	57228	1	NUT, 5/8-16 HEX NYLOCK THN		
2	86234810	27945	1	COVER, STEERING WHEEL		
3	86259610	730117	1	WHEEL, STEERING 40 SPLINE HUB		
4	86224050	730318	1	SHAFT, UPPER STEERING		
5	86228790	09111	1	BEARING, FLANGE .88ODX.75IDX.75		
6	86091740	140720	1	BRKT, UPPER STEERING		
7	86270830	57023	4	NUT, 5/16-18 HEX NYLOCK SS		
8	86005610	57016	1	NUT, 7/8 DIA PUSHLOCK		
9	86219600	45012	1	JOINT, UNIVERSAL FEMALE		
10	86272900	67416	1	RING, 3/4" KLIP		
11	86224060	730319	1	SHAFT, LOWER STEERING		
12	86219650	48110	1	KEY, 5MM SQ X 39MM L		
13	86228670	09072	1	BEARING, 3/4" BORE FLANGED		
14	86276070	70593	4	SCR, 5/16-18 X 3/4 CARRIAGE SS		
15	86224800	730315	2	SPROCKET, STEERING SHAFT		
16	86010670	87029	2	WASHER, 5/16 FLAT SS		
17	86135970	48045	1	KEY, 3/16 SQ X 5/8 LONG		
18	86275190	70377	1	SCR, 3/8-16 X 1.25 HHCS SS		
19	86008610	80595	2	FLANGE, BEARING PRESS STEEL		
20	86001030	09148	1	BEARING, BALL 3/4 BORE SPHERED		
21	86224320	730221	1	SPACER, .63 OD X .385ID X .64L		
22	86224810	730316	1	SPROCKET, DRIVE WHEEL STEERING		
23	86005630	57022	1	NUT, 3/8-16 HEX NYLOCK THIN SS		
24	86002750	270088	1	CHAIN, ISO 08B, 12.7MM PITCH		
25	86278940	87008	2	WASHER, 1/4 ID X 1-1/4OD		
26	86010780	87162	1	WASHER, 1/4 SPLIT LOCK PLTD		
27	86274330	70175	1	SCR, M6 X 20HHMS PLTD		
28	86279130	87083	2	WASHER, 5/16 SPLIT LOCK		
29	86253200	70806	1	SET SCR, M6 X 25 NP		SERVICE ONLY
-	86232780	279001	-	CHAIN, MASTERLINK 12.7MM		SERVICE ONLY

# TANK

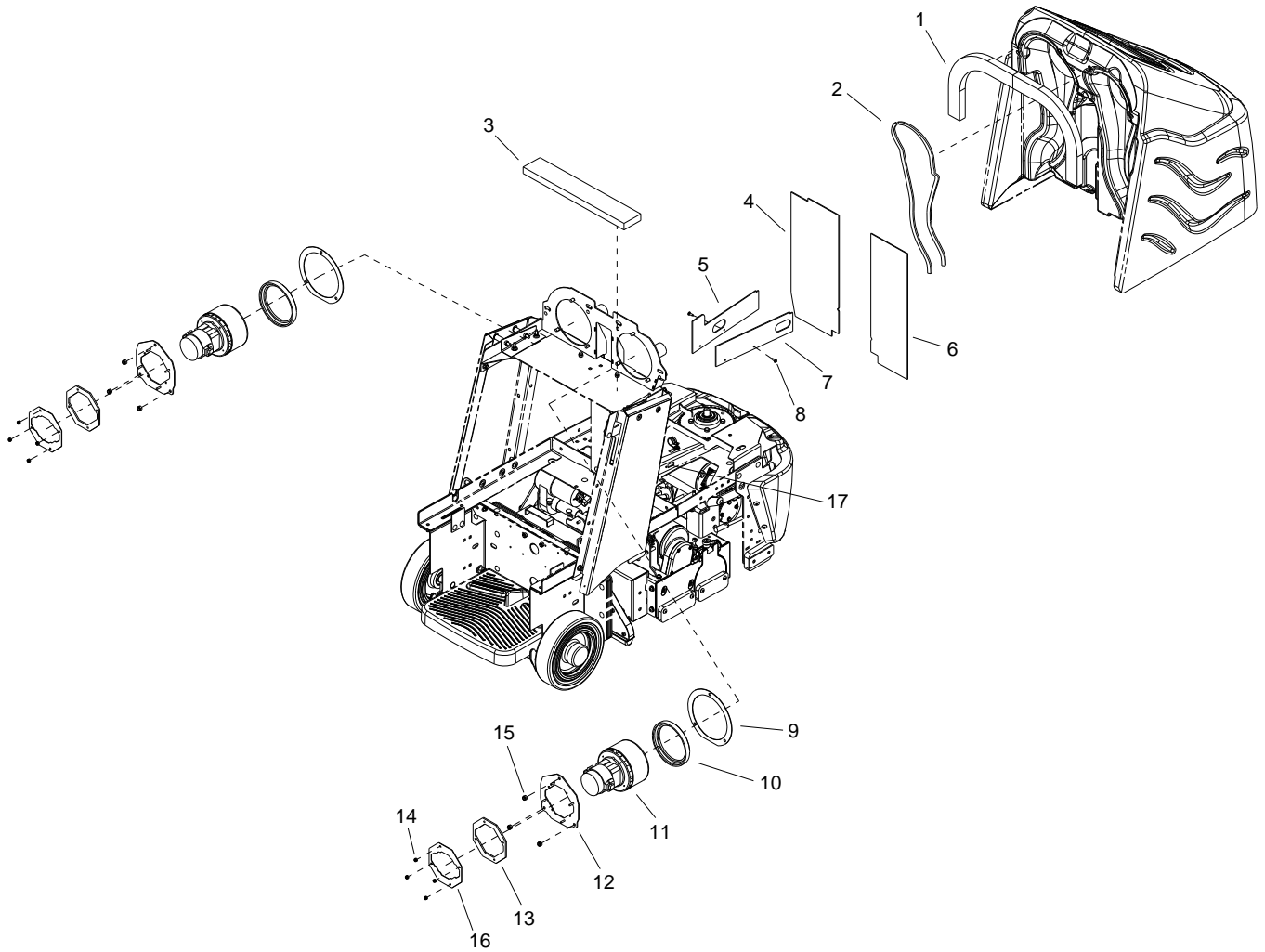


REF	PART NO.	PRV NO.	QTY	DESCRIPTION	SERIAL NO. FROM	NOTES:
1	86221900	54198	1	MANDREL, BAG		
2	86006470	67513	1	RETAINER, BACK BAG		
3	86001510	140712	1	BAG, INNER TANK, EXT.		
4	86003710	34447	1	FLAP, TANK DEBRIS		
5	86006480	67514	1	RETAINER, MAIN BAG		
6	86010630	87013	8	WASHER, 1/4 ID X 5/8 OD SS		
7	86271940	57299	8	NUT, 1/4-20 ACORN SS		
8	86246080	51368	1	LANYARD, 18.0 W/LOOP & EYE		
9	86003350	28063	1	DOME, COVER, 10 X 13		
10	86004010	35274	1	GASKET, DOME EDGE		
11	86310180	-	1	PLATE, STRAINER BASKET	*(8)	
12	86310190	-	1	BASKET, STRAINER, DOME	*(8)	
13	86006860	70403	6	SCR, #10 1/2 PPHST TYPE B SS		
14	86256100	730333	1	STRAINER, 3/4-MPT, 12 MESH		
15	86276840	70744	8	SCR, 1/4-20 X 1 PFH BLK SS		
16	86006760	70305	6	SCR, 5/16-18 X 3/4 HHCS GR5 PLTD		
17	86279630	87212	6	WASHER, .344 ID X 1.13 OD X .09 TPLT		
18	86064920	75473	1	TANK, DUAL VAC		
19	86275800	70546	6	SCR, 8 X 3/4 PFHT/S BLK ZINC		
20	86002620	260-64A	1	ACCESS COVER CLEAR 6" W/TRIM		
21	86004000	35255	1	GASKET, TANK LID		
22	86277560	70866	1	SCR, #6 X 1/2 SHT MTL SS		
23	86033570	78934	1	TUBE ASM		
24	86027800	34463	1	FLOAT, SINGLE SYSTEM		
25	86227120	04095	1	ADAPTER, FLOAT 30 DEG		
26	86199840	090-12A	1	FLOAT SCREEN CAGE ASSY		
27	86311740	-	1	HOSE, 2.0 X 37.0, DRAIN	**	
-	86004430	39707	1	HOSE ASM, 2 X 37.0 DRAIN		ASM, HOSE & CAP
28	86002380	20046	2	CLAMP, 2.25" WORM GEAR		
29	86002390	20063	1	CLAMP, 1.75" WORM GEAR X .312		
30	86257570	51407	1	TETHER, DRAIN HOSE, 1.5		
31	86264950	27746	1	CABLE TIE, .19W X 11.5L BLK	*(4)	
32	86309210	-	1	BAFFLE, FLOAT	*(4)	
33	98406760	-	-	KIT, DOME BASKET		
34	86004440	39717	1	CAP, DRAIN HOSE		

\* SEE SERIAL NUMBER PAGE.

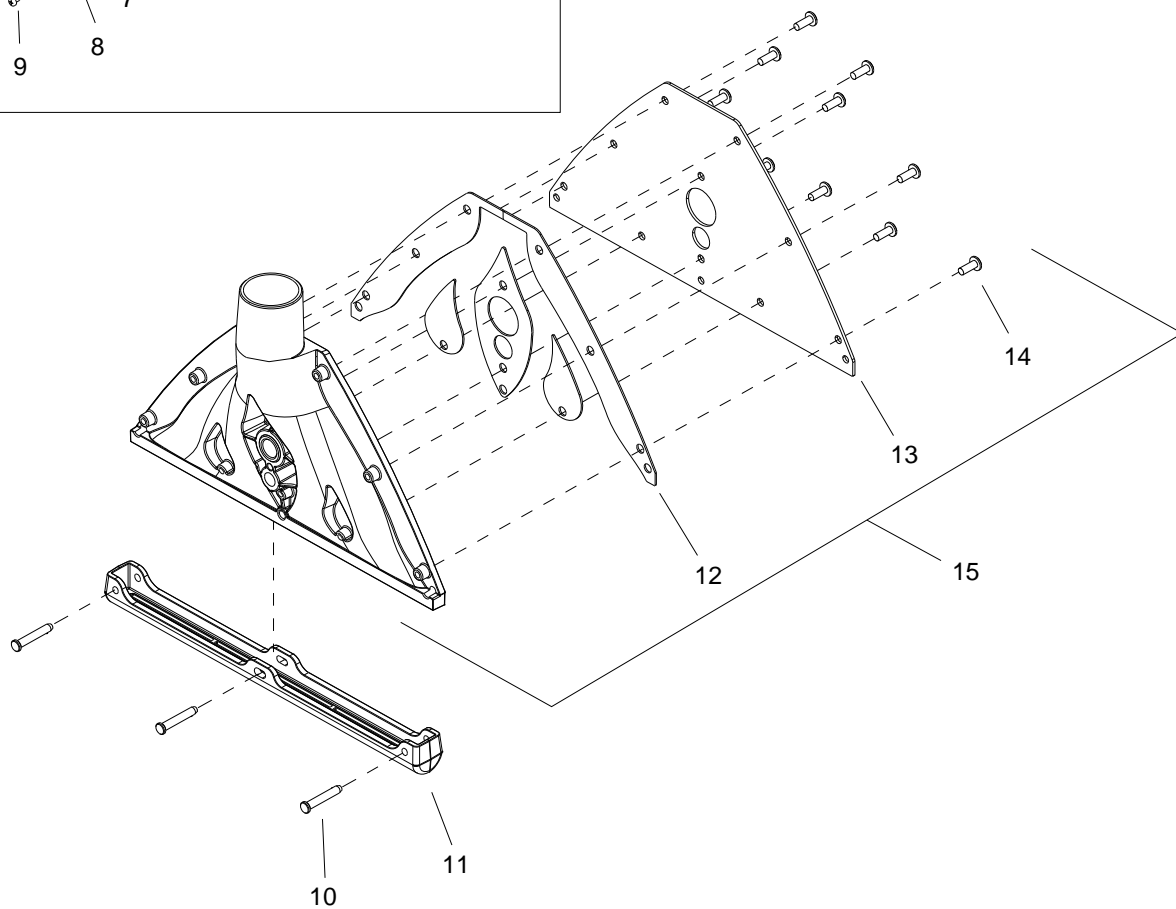
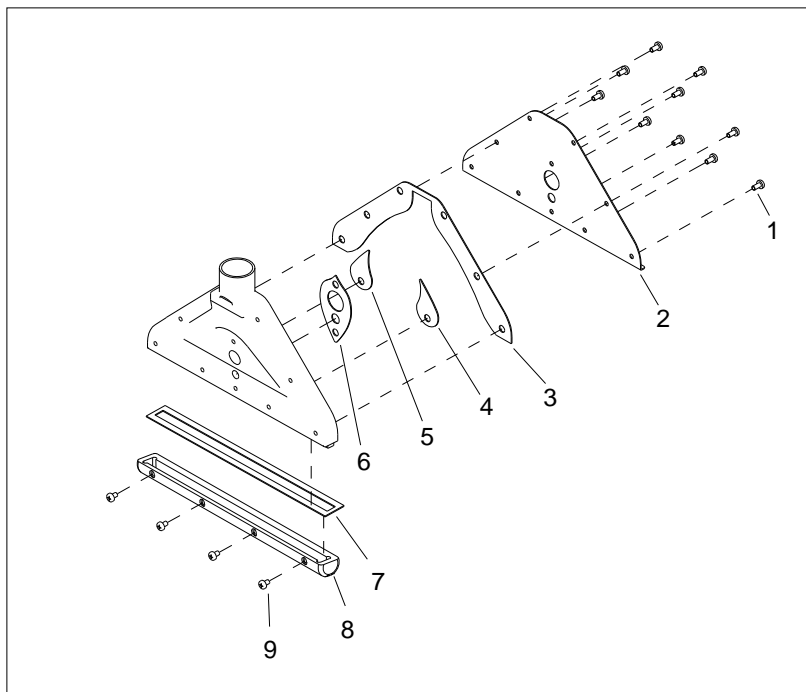
\*\*CALL MANUFACTURER FOR SERIAL NUMBER

# VACUUM



REF	PART NO.	PRV NO.	QTY	DESCRIPTION	SERIAL NO. FROM	NOTES:
1	86236540	34437	2	FOAM, POLY, 1/2 X 2 CURVED W/ADH		
2	86238040	36243	4	GASKET, .25 T X .75 W X 24 L		
3	86236530	34436	1	FOAM, POLYESTER, 1X3X18		
4	86090140	270139	1	VAC CHANNEL COVER		
5	86082110	62913	1	PLATE, CHAIN GUARD LT		
6	86064740	270100	1	VAC CHANNEL COVER		
7	86078650	36241	1	PLATE, CHAIN GUARD RT		
8	86274070	70086	4	SCR, 10-24 X 1/2 PPHMS		
9	86237890	35277	2	GASKET, VAC MOUNT		
10	86237880	35276	2	GASKET, 5.7 VAC MOTOR		
11	86005500	53809	2	VAC MOTOR 36VDC 3STG		
12	86083100	66439	2	PLATE, HORIZ FLANGE RT		
13	86083010	66428	2	PLATE, VAC SPACER		
14	86270990	57090	8	NUT, 10-32 HEX NYLOCK SS		
15	86270830	57023	6	NUT, 5/16-18 HEX NYLOCK SS		
16	86083030	66430	2	PLATE, VAC MOTOR ADAPT		
17	86270860	57028	4	NUT, 10-24 U-TYPE SPEED		

# VACUUM SHOES



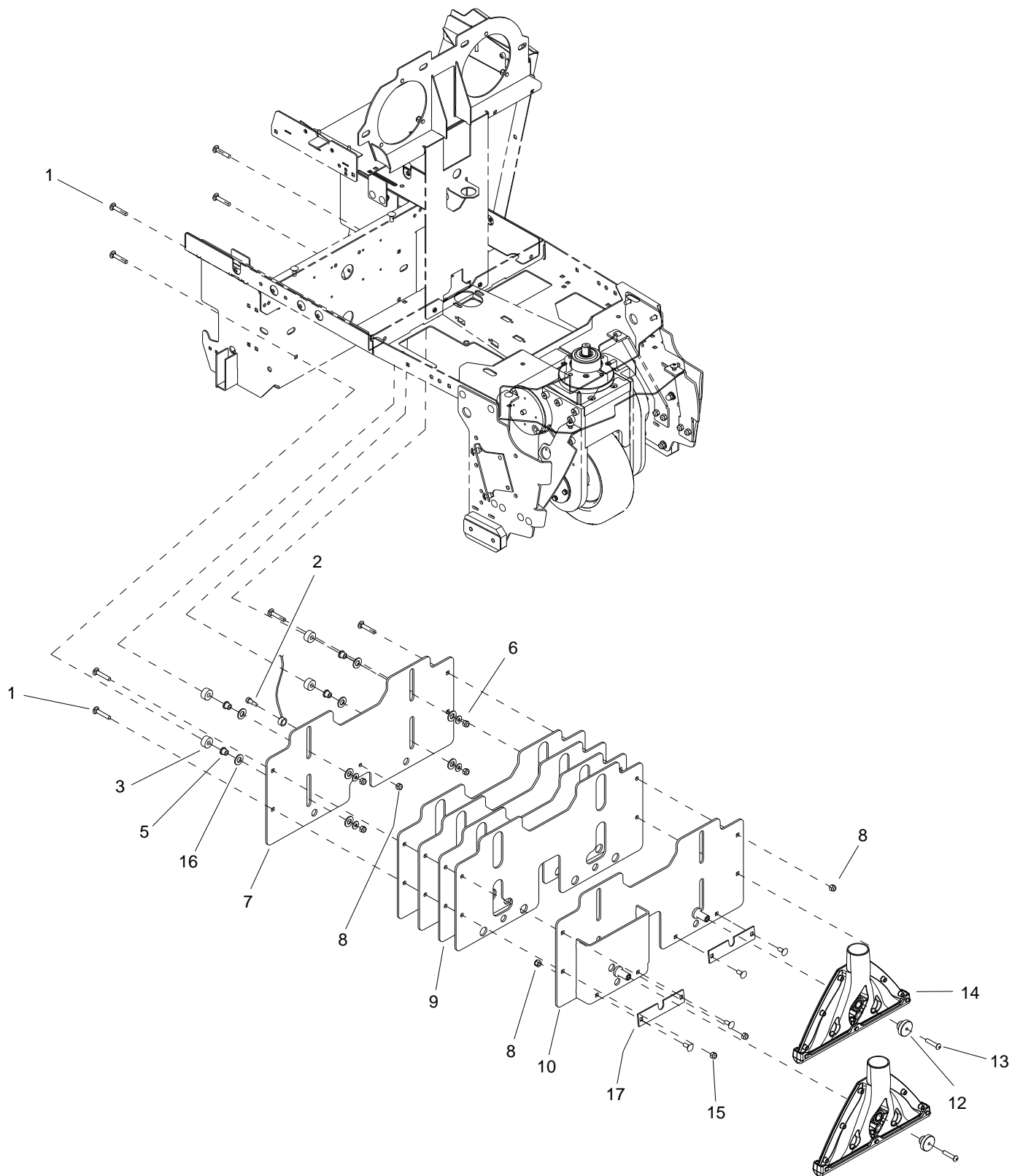
## VACUUM SHOES

REF	PART NO.	PRV NO.	QTY	DESCRIPTION	SERIAL NO. FROM	NOTES:
1	86006580	70085	10	SCR, 1/4-20 X 1/2 PPHMS SS		
2	86075450	27246	1	COVER, VAC SHOE		
3	86237910	35279	1	GASKET, VAC SHOE OUTER		
4	86237920	35280	1	GASKET, 5.0 OD X 2.0 ID X .50T		
5	86237930	35281	1	GASKET, VAC SHOE RIGHT		
6	86237940	35282	1	GASKET, VAC SHOE CENTER		
7	86237950	35283	1	GASKET, VAC SHOE WIPER		
8	86295390	-	1	WIPER, VAC SHOE	*(5)	
9	86275950	70568	4	SCR, 10-24 X 3/8 PPHMS SS		
10	86293190	-	3	PIN, CLEVIS	*(9)	
11	86310740	-	1	WIPER, W/GASKET	*(9)	
12	86310750	-	1	ASSEMBLY, GASKETS, VAC SHOE	*(9)	
13	86296410	-	1	PLATE, VACSHOE	*(9)	
14	86302700	-	10	SCR, M6 X 16 PH, SS	*(9)	
15	86296550	-	1	VACSHOE, 13 IN	*(9)	

\* SEE SERIAL NUMBER PAGE

**NOTE:** Two vacuum shoe assemblies per machine.

# VACUUM SHOES LIFT





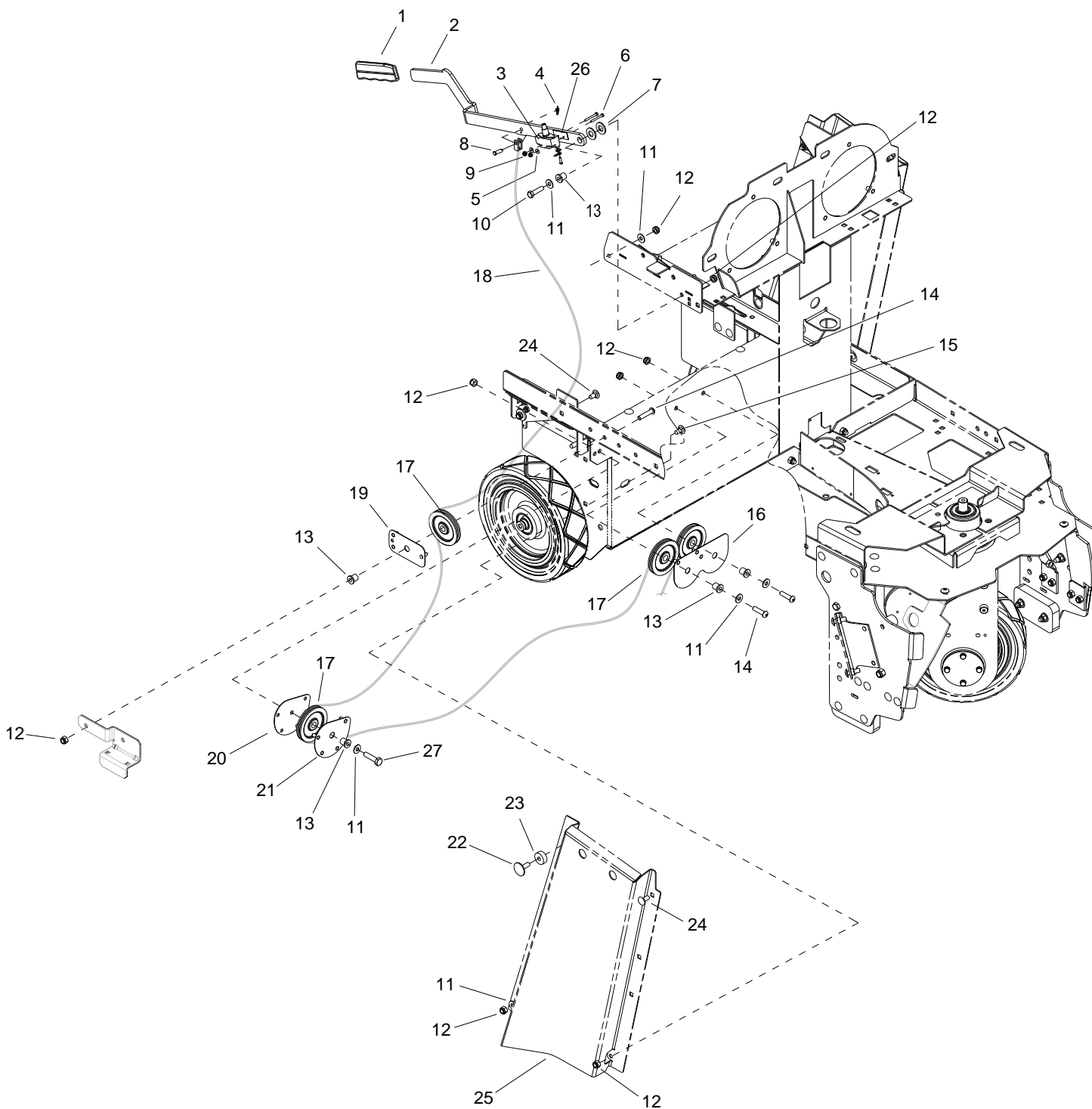
## VACUUM SHOES LIFT

REF	PART NO.	PRV NO.	QTY	DESCRIPTION	SERIAL NO. FROM	NOTES:
1	86276690	70715	8	SCR, 5/16-18 X 1.75 CARR SS		
2	86278330	70641	1	SHOULDER BOLT, 3/8OD X 3/8L SS		
3	86224370	730335	4	SPACER, 1 OD X .391 ID X .500		
4	86259420	87232	4	WASHER, THRUST .51ID X 1 OD		
5	86228840	09124	4	BEARING, FLANGED .314 ID X .502 OD		
6	86010670	87029	4	WASHER, 5/16 FLAT SS		
7	86080420	62416	1	PLATE, LIFT SLIDE		
8	86270830	57023	13	NUT, 5/16-18 HEX NYLOCK SS		
9	86080410	62415	4	PLATE, LIFT, WEIGHT		
10	86093700	62424	1	PLATE, LIFT, ASSY		
11	OPEN	-	-	-		
12	86219690	48080	2	KNOB, 1.5 OD X 5/16-18		
13	86276650	70707	2	SCR, 5/16-18 X 1.5 BSHCS SS		
14	86310730	-	2	VAC SHOE	**	
15	86276070	70593	4	SCR, 5/16-18 X 3/4 CARRIAGE SS		
16	86259400	87205	4	WASHER, THRUST 051 ID X 1 ODBRO	*(5)	
17	86295380	-	2	PLATE, VAC SPACER	*(5)	

\* SEE SERIAL NUMBER PAGE

\*\*CALL MANUFACTURER FOR SERIAL NUMBER

# VACUUM SHOE LIFT HANDLE

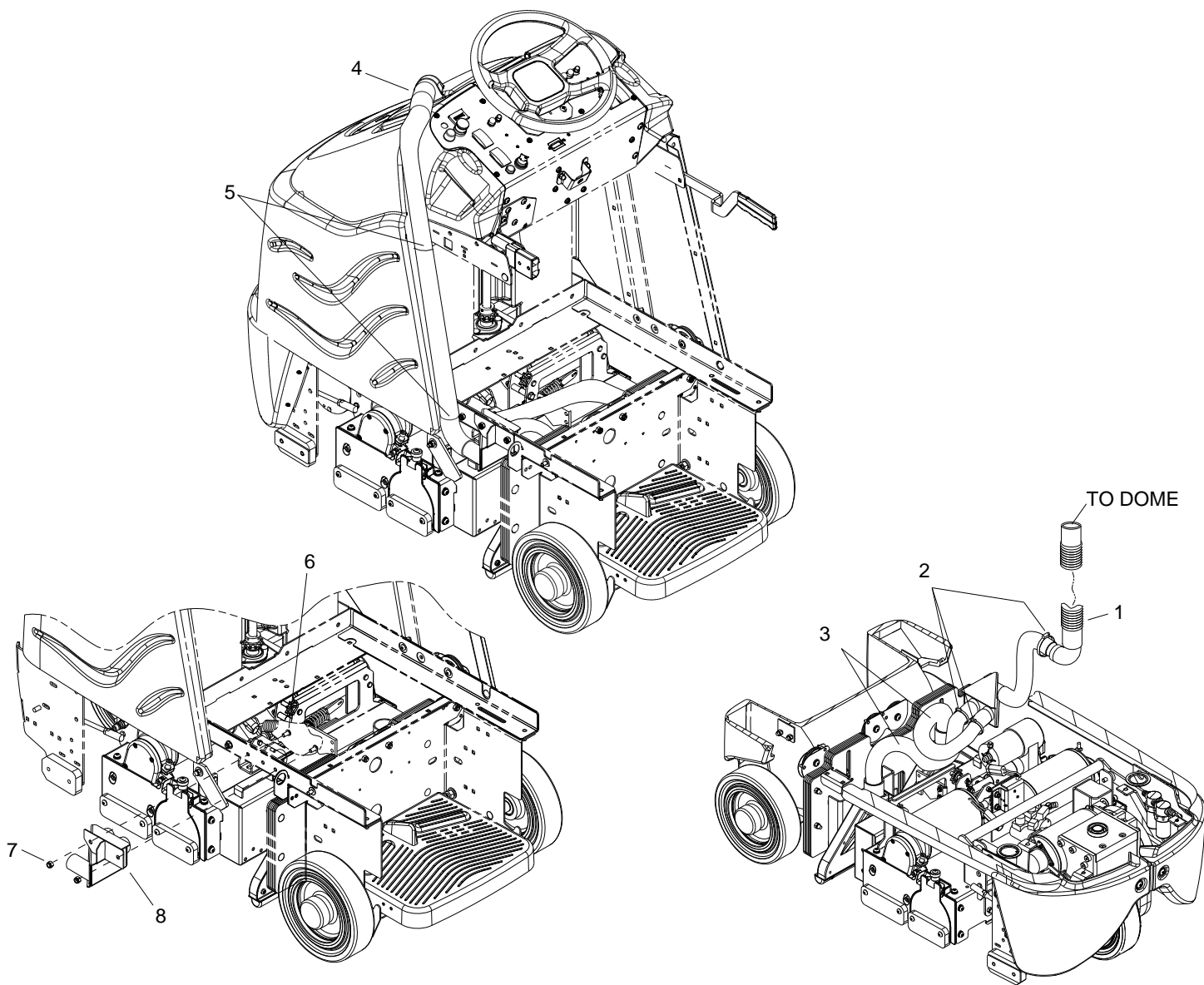


## VACUUM SHOE LIFT HANDLE

REF	PART NO.	PRV NO.	QTY	DESCRIPTION	SERIAL NO. FROM	NOTES:
1	86238360	36215	1	GRIP, 3/16 X 1.0 ORANGE		
2	86076610	38319	1	HANDLE, LIFT		
3	86257120	72192	1	SWITCH, DPST SNAP ACTION		
4	86008650	80604	1	COTTER, 1/4" RING		
5	86279450	87161	2	WASHER, #6 FLAT SAE		
6	86277490	70851	2	SCR, #6-32 X 1.38 PPHMS		
7	86259420	87232	2	WASHER, THRUST .51D X 1 OD		
8	86009560	82053	1	PIN, CLEVIS 1/4 X .63 PLTD		
9	86270920	57049	2	NUT, 6-32 HEX NYLOCK SS		
10	86007020	70673	1	SCR, 5/16-18 X 1.25 HHCS SS NP		
11	86010670	87029	7	WASHER, 5/16 FLAT SS		
12	86270830	57023	9	NUT, 5/16-18 HEX NYLOCK SS		
13	86231150	09151	5	BUSHING FLANGE, .314 ID X .502 OD		
14	86276760	70724	3	SCR, 5-16 X 1.25 BSHCS SS		
15	86277460	70847	1	SCR, 5/16-18 X 5/8 BSHCS SS		
16	86083440	66824	1	PLATE, PULLEY MOUNTING, CENTER		
17	86223370	66464	4	PULLEY, PLASTIC 3.0 DIA		
18	86231570	270105	1	CABLE, LIFT		
19	86073600	66833	1	BRKT, PULLEY RETAINER, SINGLE		
20	86083500	66832	1	PLATE, PULLEY RETAINER, CORNER		
21	86083490	66831	1	PLATE, PULLEY MOUNT, CORNER		
22	86066130	89501	1	ASM, HANDLE RETAINER		
23	86254280	730331	1	SPACER, 1.00 OD X .32 ID X .375		
24	86276070	70593	2	SCR, 5/16-18 X 3/4 CARRIAGE SS		
25	86091820	140807	1	BRKT, SIDE CHANNEL R		
26	86295860	-	1	INSULATOR, SWITCH	*(6)	
27	86274720	70264	1	SCR, 5/16-18 X 1.50 HHCS SS		

\* SEE SERIAL NUMBER PAGE

# VACUUM HOSES



## VACUUM HOSES

REF	PART NO.	PRV NO.	QTY	DESCRIPTION	SERIAL NO. FROM	NOTES:
1	86240320	39729	1	HOSE ASM, 1.5 BLK VAC X 36		
2	86177050	03-000176	3	CLAMP, HOSE #20		
3	86320330	-	2	HOSE ASM, 1.5 BLK VAC X 12		
4	86003010	27759	1	CUFF, HOSE 1.5" BLK A 2161		
5	86264950	27746	2	CABLE TIE, .19 W X 11.5L BLK		
6	86277460	70847	2	SCR, 5/16-18 X 5/8 BSHCS SS		
7	86270830	57023	2	5/16 HEX NYLOCK SS		
8	86093200	54212	1	MANIFOLD		

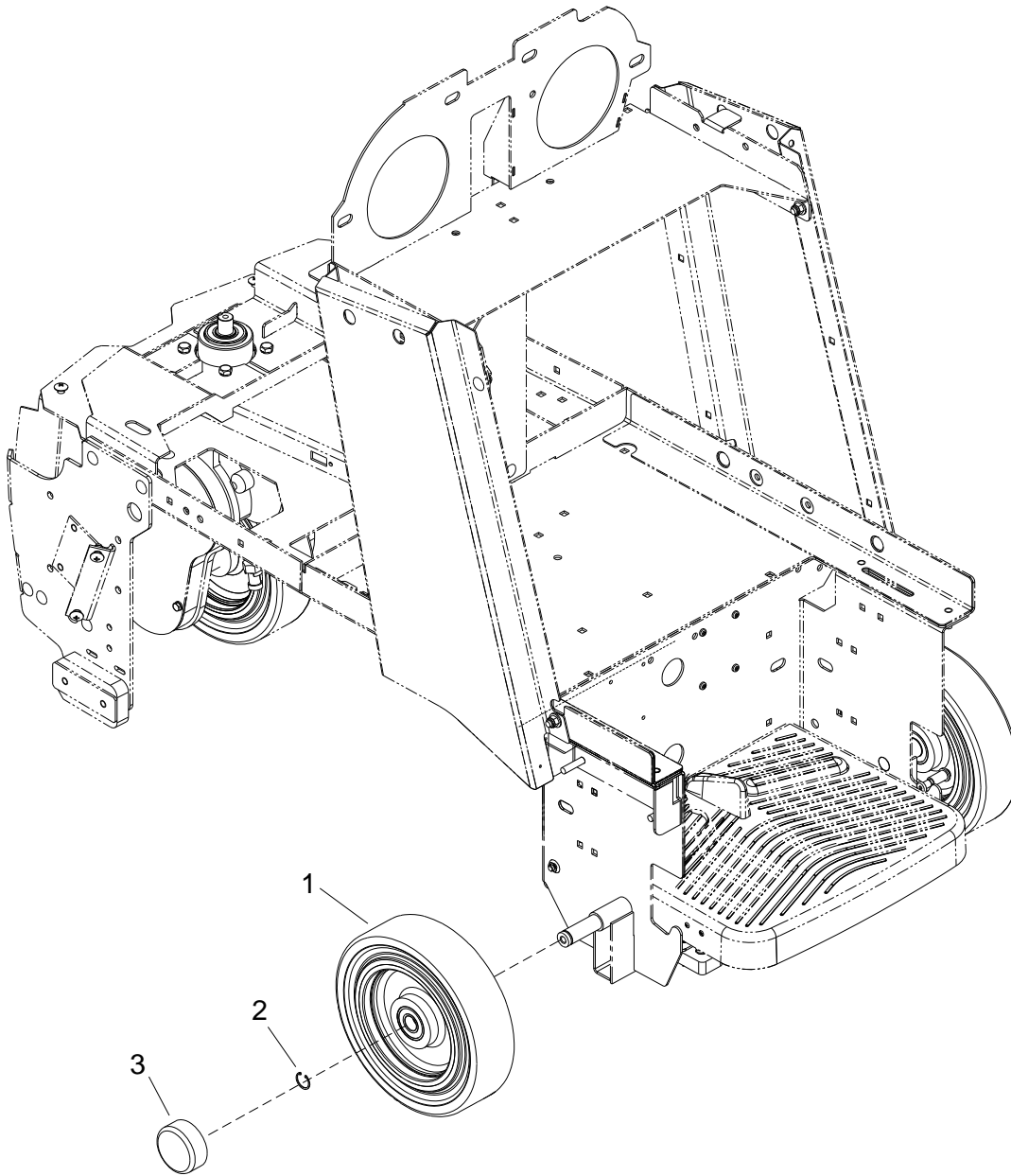


## WHEEL-FRONT DRIVE, GEAR

REF	PART NO.	PRV NO.	QTY	DESCRIPTION	SERIAL NO. FROM	NOTES:
1	86275190	70377	4	SCR, 3/8-16 X 1.25 HHCS SS		
2	86010790	87163	4	WASHER, 3/8 SPLIT LOCK PLTD		
3	86002830	27196	1	CABLE TIE, .375 X 24.7		
4	86006170	66031	1	PIN, ROLL 1/8" X 3/4"L		
5	86264930	27050	1	CABLE TIE, 3.5" UL/CSA		
6	86301950	-	1	PLATE, BRAKE SPACER	*(7)	
7	86001740	140816	1	BRAKE, 36 VDC W/CONNECTOR		
8	86273340	00-000289	4	SCR, CAP 8-32 X 3/8 SHCS SS		
9	86006840	70390	2	SCR, 1/4-20 X 1 FHCS PLTD		
10	86257490	76155	2	TERMINAL MOUNT		
11	86010630	87013	2	WASHER, 1/4 ID X 5/8 OD SS		
12	86005710	57105	4	NUT, 1/4-20 HEX W/STAR WASHER		
13	86273740	70010	2	SCR, 1/4-20 X 1.5 HHCS		
14	86008920	80889	2	BOOT, RUBBER TERM. ISOLATOR		
15	86233410	81270	1	CLAMP, 3/4 IDA CUSHION .406 DIA		
16	86005810	57245	2	NUT, 1/4-20 HEX NYLOCK SS		
17A	86011120	89262	1	WHEEL, 10 X 2, 5 X 1.06 W/KEYWAY		
17B	86259920	89273	1	WHEEL, 10 X 2. 5 W/KEYWAY, GRY		OPTION
18	86215440	140920	1	BOX, DRIVE UNIT		
19	86223980	09134	3	SEALED BALL BRNG, 25MM X 52MM		
20	86219420	41510	1	HUB STEERING		
21	86223480	67450	2	RING, 52MM INTERNAL SNAP		
22	86136640	70262	1	SCR, M8-1.25 X 20 HHMS PLTD		
23	86277320	70828	10	SCR, M10 X 30 HHCS		
24	86277340	70830	4	SCR, M6 X 15 HHCS BLK		
25	86279690	87243	4	WASHER, M6 SPLIT LOCK BLK		
26	86279710	87245	1	WASHER, M8 (2THK X 26 OD)		
27	86225810	87506	1	WASHER, ANTI-ROTATION		
28	86222720	620037	1	PLATE, BEARING RETAINER		
29	86222760	620041	1	PLATE, DRIVE YOKE RH		
30	86222770	620042	1	PLATE, BEARING COVER		
31	86224020	730233	1	SHAFT ASM, DRIVE PIVOT		
32	86224440	730387	1	SPACER, 25.51 ID X 45 OD X 39.1 L		
33	86217730	29276	1	DRIVE MOTOR ASSEMBLY		COMPLETE
-	86216210	53820	-	BRUSH SET MOTOR, 53810 86005510		
34	86270990	57090	3	NUT, 10-32 HEX NYLOCK SS	*(7)	
35	86301960	-	1	SKIRT, BRAKE	*(7)	
36	86010650	87018	3	WASHER, #10 X 9/16 OD	*(7)	
37	86274290	70162	3	SCR, 10-32 X 3/8 PPHMS SS	*(7)	
38	86320870	-	1	SWITCH, 36V BRAKE		

\* SEE SERIAL NUMBER PAGE

# WHEEL-REAR

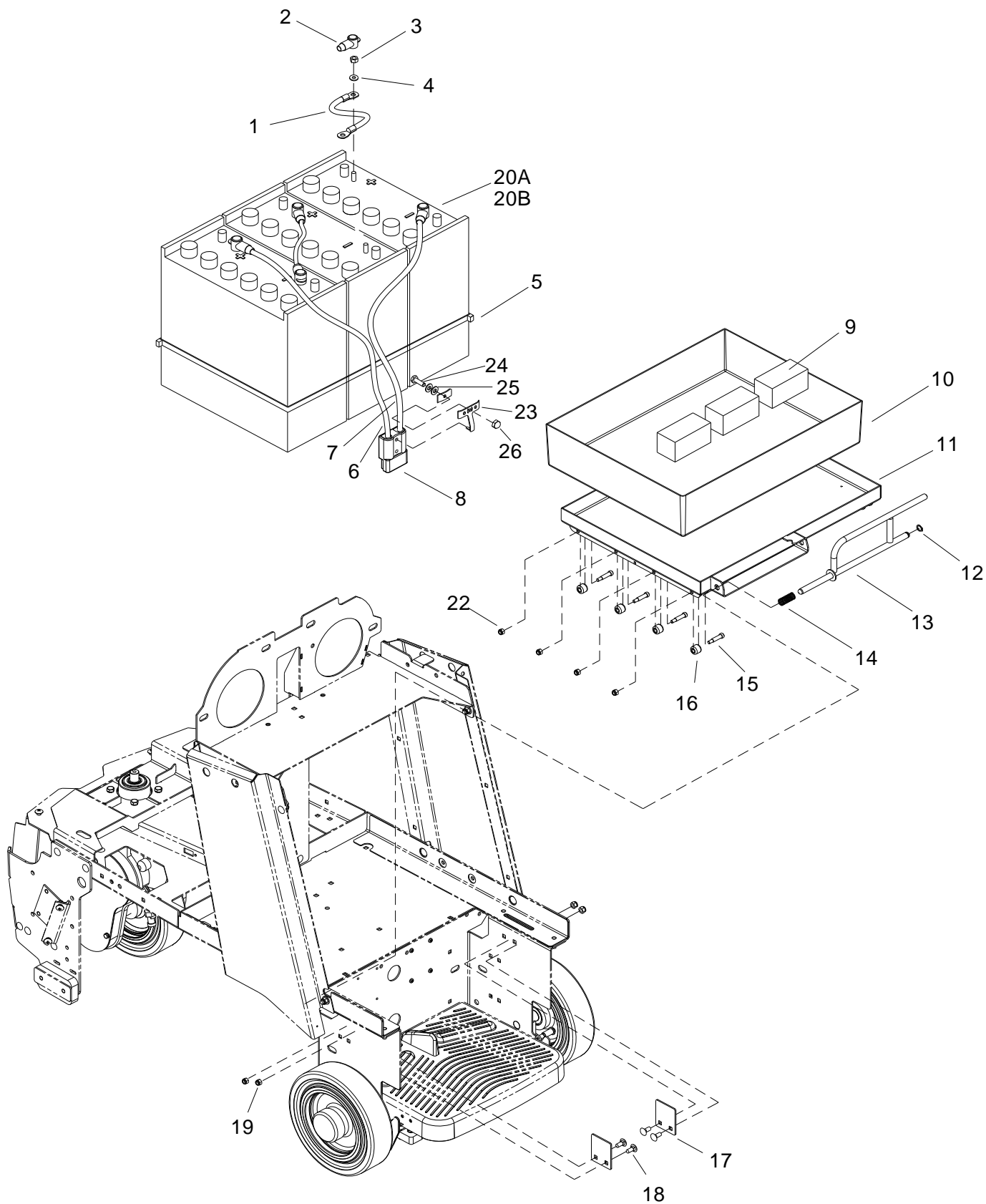




## WHEEL-REAR

REF	PART NO.	PRV NO.	QTY	DESCRIPTION	SERIAL NO. FROM	NOTES:
1	86259950	89276	2	WHEEL, 10X2.5X.787ID BEARINGS		
2	86008710	80623	2	RING, 3/4" EXT SNAP H-D		
3	86232130	17309	2	CAP, 2.75 ID X 1.0 L BLK VINYL		

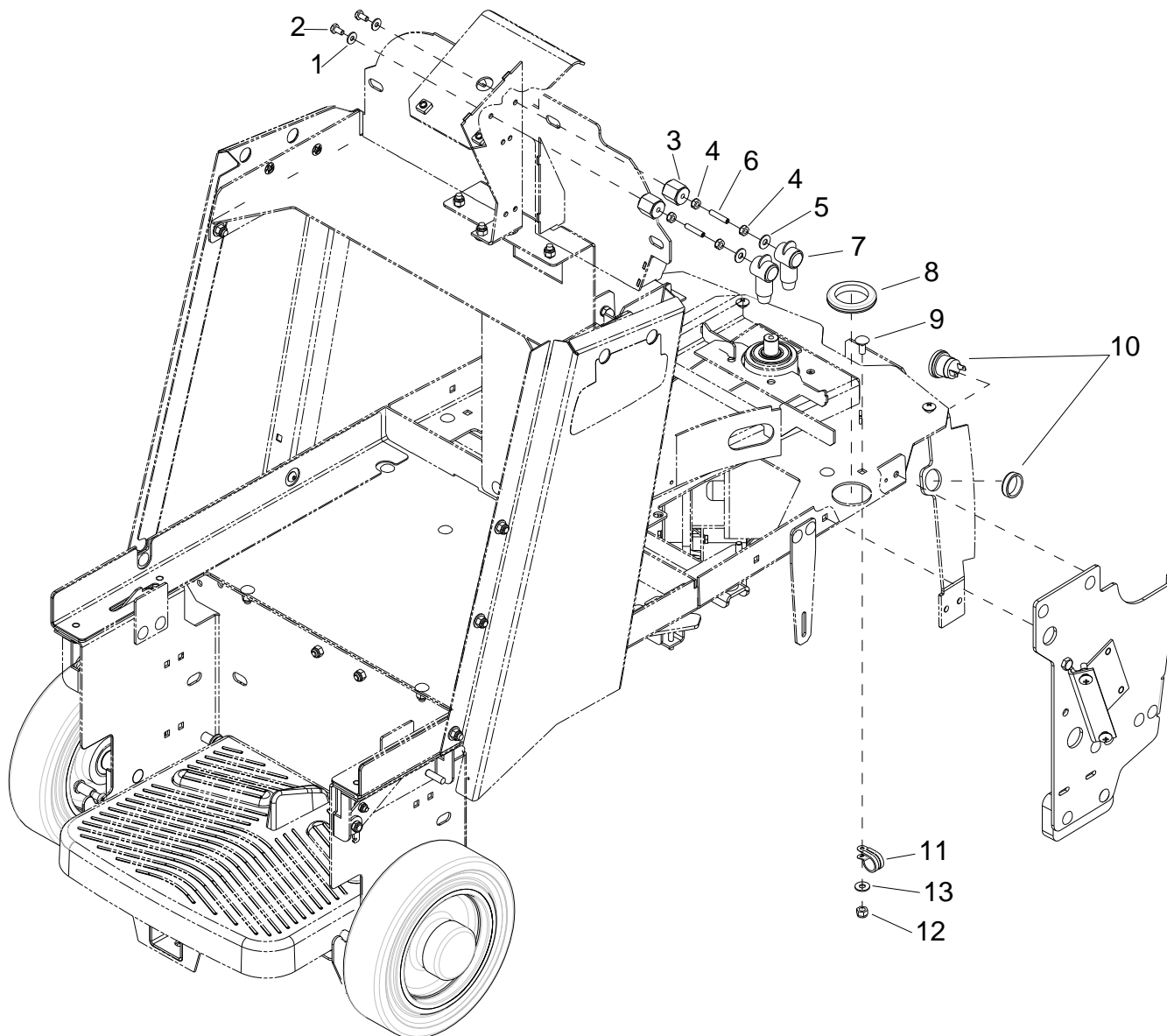
# WIRING-BATTERIES



## WIRING-BATTERIES

REF	PART NO.	PRV NO.	QTY	DESCRIPTION	SERIAL NO. FROM	NOTES:
1A	86260200	80872	2	WIRE, 4X14.5BK 5/16RINGX5/16RING		
1B	86002510	23125	2	WIRE, 4X15 BCLAMPXBCLAMP		
2	86008920	80889	6	BOOT, RUBBER TERM. ISOLATOR		
3	86271910	57295	6	NUT, 5/16-18 FLEXLOCK		
4	86010670	87029	6	WASHER, 5/16 FLAT SS		
5	86264960	27915	2	CABLE TIE, .375 X 43"		
6A	86260610	880836	1	WIRE, 4X25RD CTERM X 3/8RING		
6B	86002570	23190	1	WIRE, 4X27 RD BCLAMP X CTERM		
7A	86260230	80876	1	WIRE, 4X30 BK CTERM X 3/8RING		
7B	86002580	23191	1	WIRE, 4X27 BK BCLAMP X CTERM		
8	86008760	80682	1	CONN, 175 DCA GRY W/O TERMS		
9	86229700	08071	3	BLOCK, 3.0 X 1.5 X 1.5		
10	86008300	78242	1	TRAY, BATTERY LINER		
11	86008410	78568	1	TRAY, BATTERY		
12	86272810	67132	1	RING, 1/2 EXT. SNAP H-D		
13	86092910	51396	1	LATCH ROD, BATTERY TRAY		
14	86254990	730313	1	SPRING, COMP, 63ODX3.5LX.074W		
15	86278150	70117	8	SHOULDER BOLT, 5/16 OD X 1.0 L		
16	86259910	89265	8	WHEEL, BATTERY TRAY		
17	86088790	78571	2	TRAY, STANDARD STOP		
18	86276070	70593	4	SCR, 5/16-18 X 3/4 CARRIAGE SS		
19	86270830	57023	4	NUT, 5/16-18 HEX NYLOCK SS		
20A	86228430	10023	3	BATTERY, 12V, 205AH		
20B	86283410	10030	3	BATTERY, 12V, 225AH		
21	86284090	02456	1	CHARGER, 36V, 20A, 115V, C175		NOT SHOWN
22	86005810	57245	8	NUT, 1/4-20 HEX NYLOCK SS		
23	86233360	28038	1	CLAMP, CABLE KIT SY945		
24	86273980	70066	1	SCREW, 10-32 X 3/4 PPHMS SS		
25	86010650	87018	1	WASHER, 10 X 9/16 OD		
26	86270890	57034	1	NUT, ACORN 10-32		

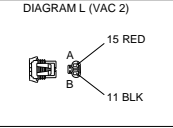
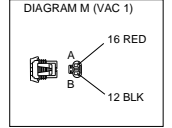
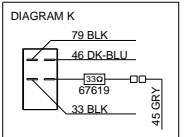
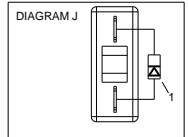
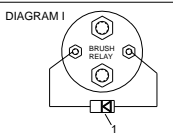
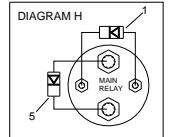
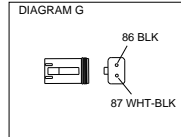
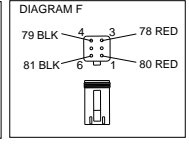
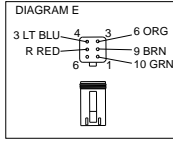
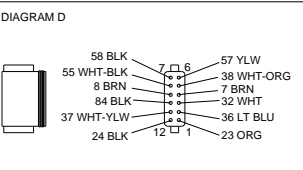
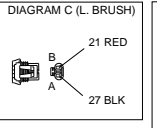
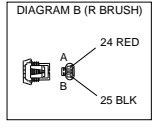
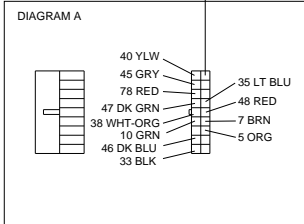
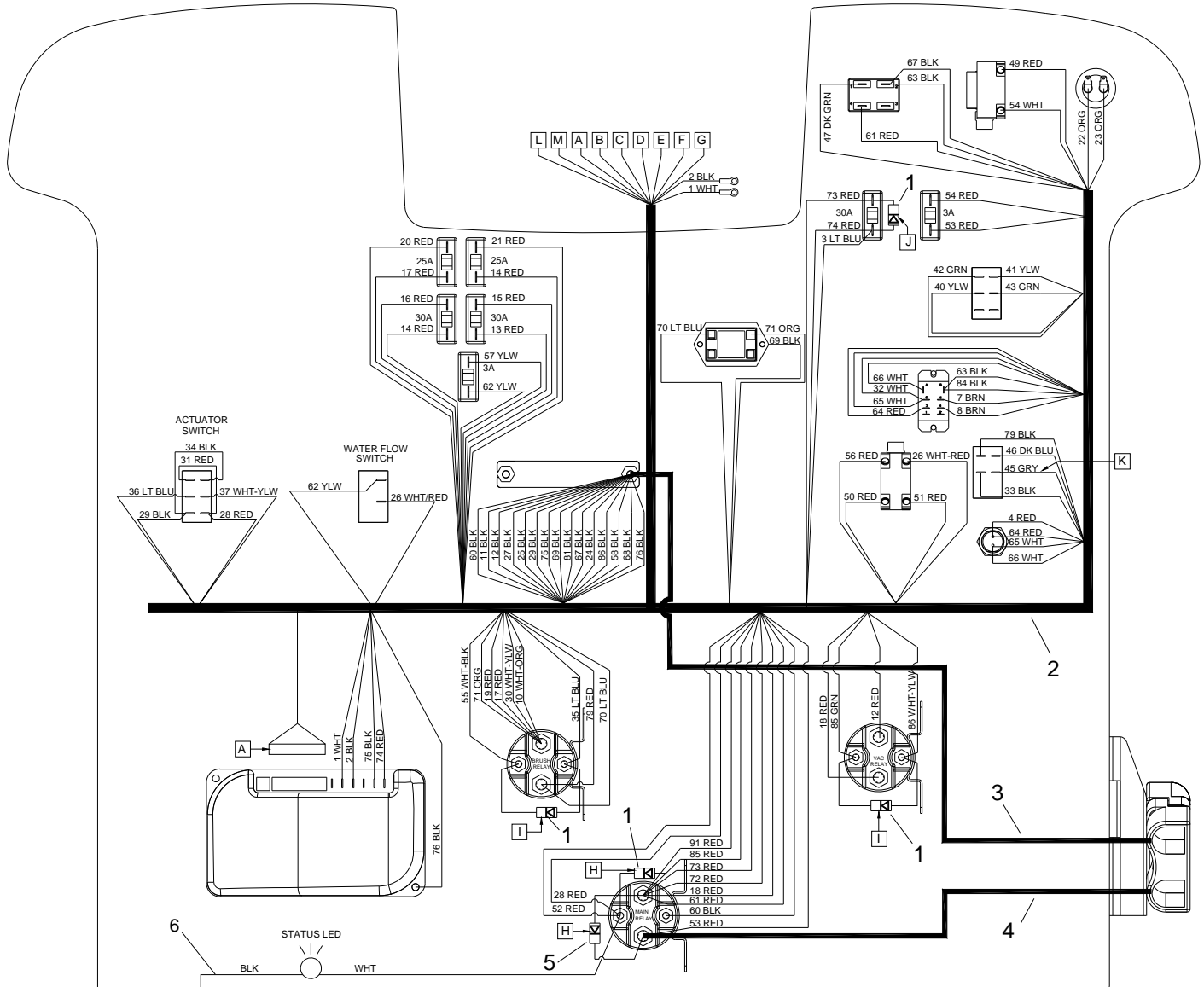
# WIRING-COMPONENTS



## WIRING-COMPONENTS

REF	PART NO.	PRV NO.	QTY	DESCRIPTION	SERIAL NO. FROM	NOTES:
1	86010780	87162	2	WASHER, 1/4 SPLIT LOCK PLTD		
2	86273830	70020	2	SCR, 1/4-20 X 1/2 HHCS SS NP		
3	86255910	73659	2	STANDOFF, 1/4-20 X 1.0 HEX INS		
4	86005710	57105	4	NUT, 1/4-20 HEX W/STAR WASHER		
5	86010630	87013	2	WASHER, 1/4 ID X 5/8 OD SS		
6	86006850	70393	2	SET SCR, 1/4-20 1.25L		
7	86008920	80889	2	BOOT, RUBBER TERM. ISOLATOR		
8	86238500	81427	1	GROMMET, 1.703IDX2.5ODX.125GRV		
9	86276070	70593	1	SCR, 5/16-18 X 3/4 CARRIAGE		
10	86239720	41520	1	HORN, 108DB MINIATURE PIEZO		
11	86233410	81270	1	CLAMP, 3/4 DIA CUSHION .406DIA		
12	86270830	57023	1	NUT, 5/16-18 HEX NYLOCK SS		
13	86010670	87029	1	WASHER, 5/16 FLAT SS		

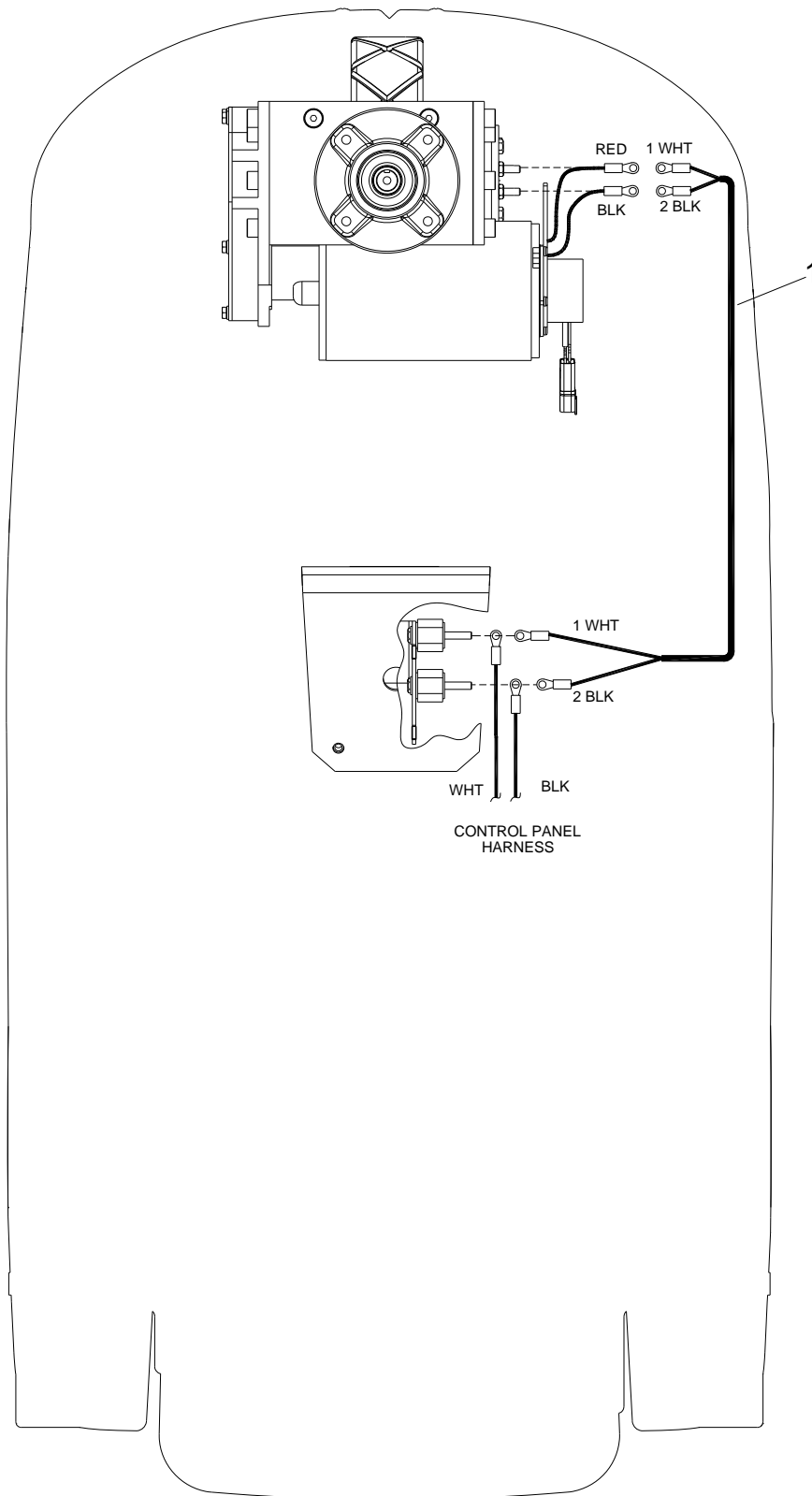
# WIRING-CONTROL PANEL



## WIRING-CONTROL PANEL

REF	PART NO.	PRV NO.	QTY	DESCRIPTION	SERIAL NO. FROM	NOTES:
1	86261210	29204	4	DIODE ASM, 76008 X 76008		
2	86239250	41559	1	HARNESS, CNL PNL EXTRACTOR		
3	86010860	880353	1	WIRE, 4X20 BK CTERM X5/16REING		
4	86260540	880426	1	WIRE, 4X13 RD C.TERM X 5/16RING		
5	86261250	29273	1	DIODE ASM, FAST RECOVERY		
6	86311210	-	1	LIGHT ASM, INDICATOR, CODE		

# WIRING-DRIVE MOTOR

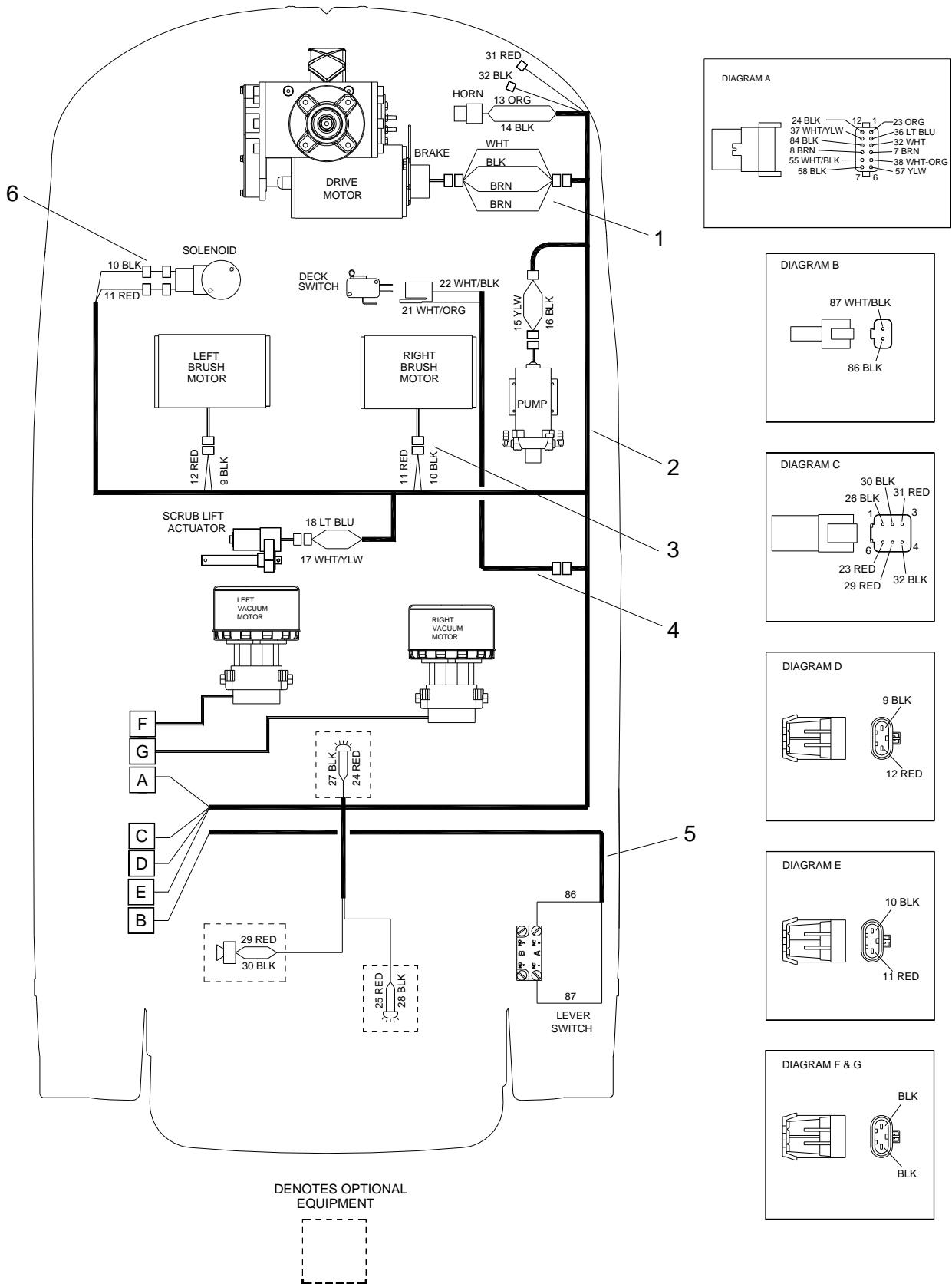




## WIRING-DRIVE MOTOR

REF	PART NO.	PRV NO.	QTY	DESCRIPTION	SERIAL NO. FROM	NOTES:
1	86239120	41522	1	HARNESS, CHARIOT PROPEL		

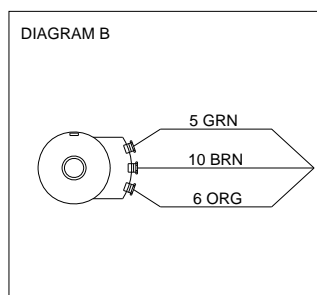
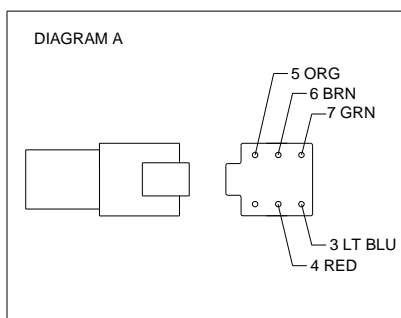
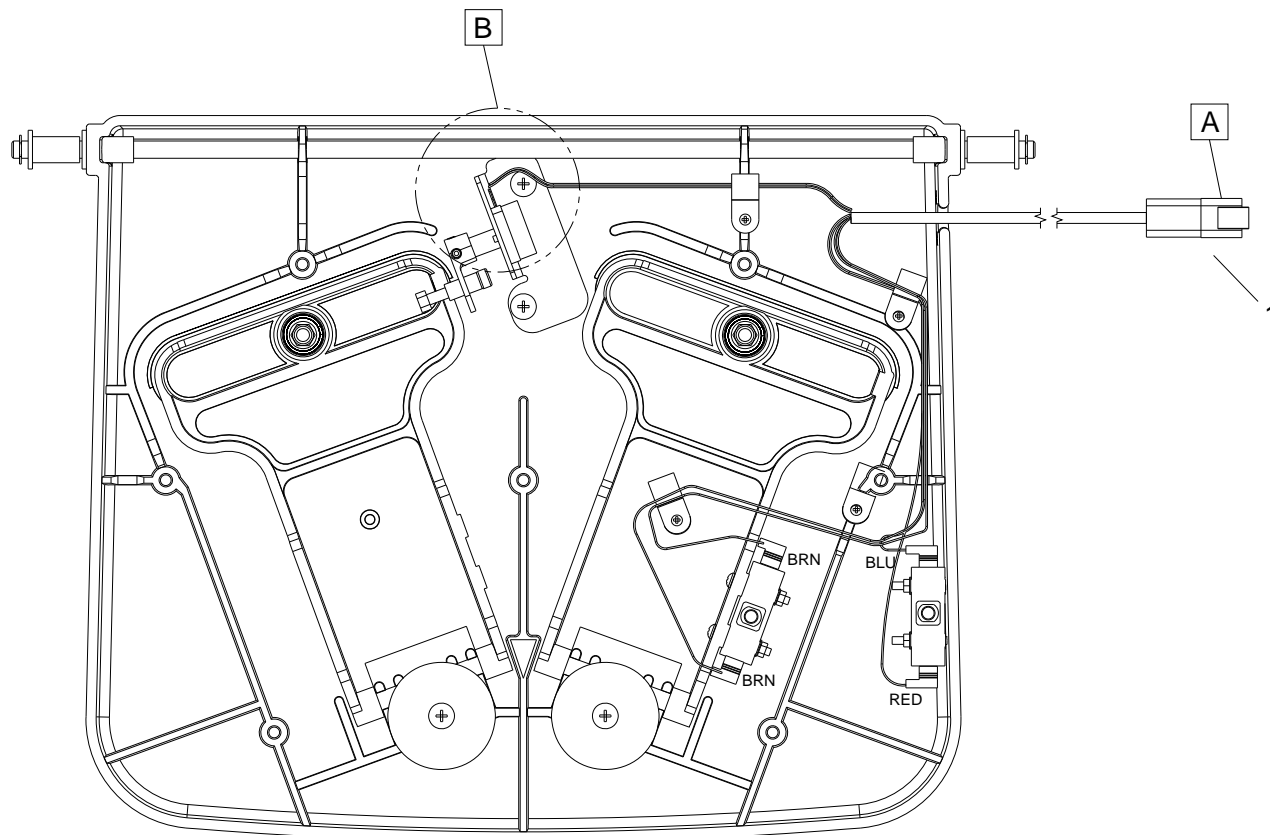
# WIRING-MAIN HARNESS



## WIRING-MAIN HARNESS

REF	PART NO.	PRV NO.	QTY	DESCRIPTION	SERIAL NO. FROM	NOTES:
1	86239170	41528	1	HARNESS, BRAKE		
2	86239130	41523	1	HARNESS, MAIN		
3	86260400	880212	REF	WIRE ASM, REV POLARITY JUMPER		
4	86239160	41527	1	HARNESS, DECK SWITCH		
5	86239260	41561	1	HARNESS, EXTRACTOR LEVER		
6	86260620	881000	2	WIRE, 2" BLK/16 76042 X 76042		

# WIRING-PEDAL PLATFORM

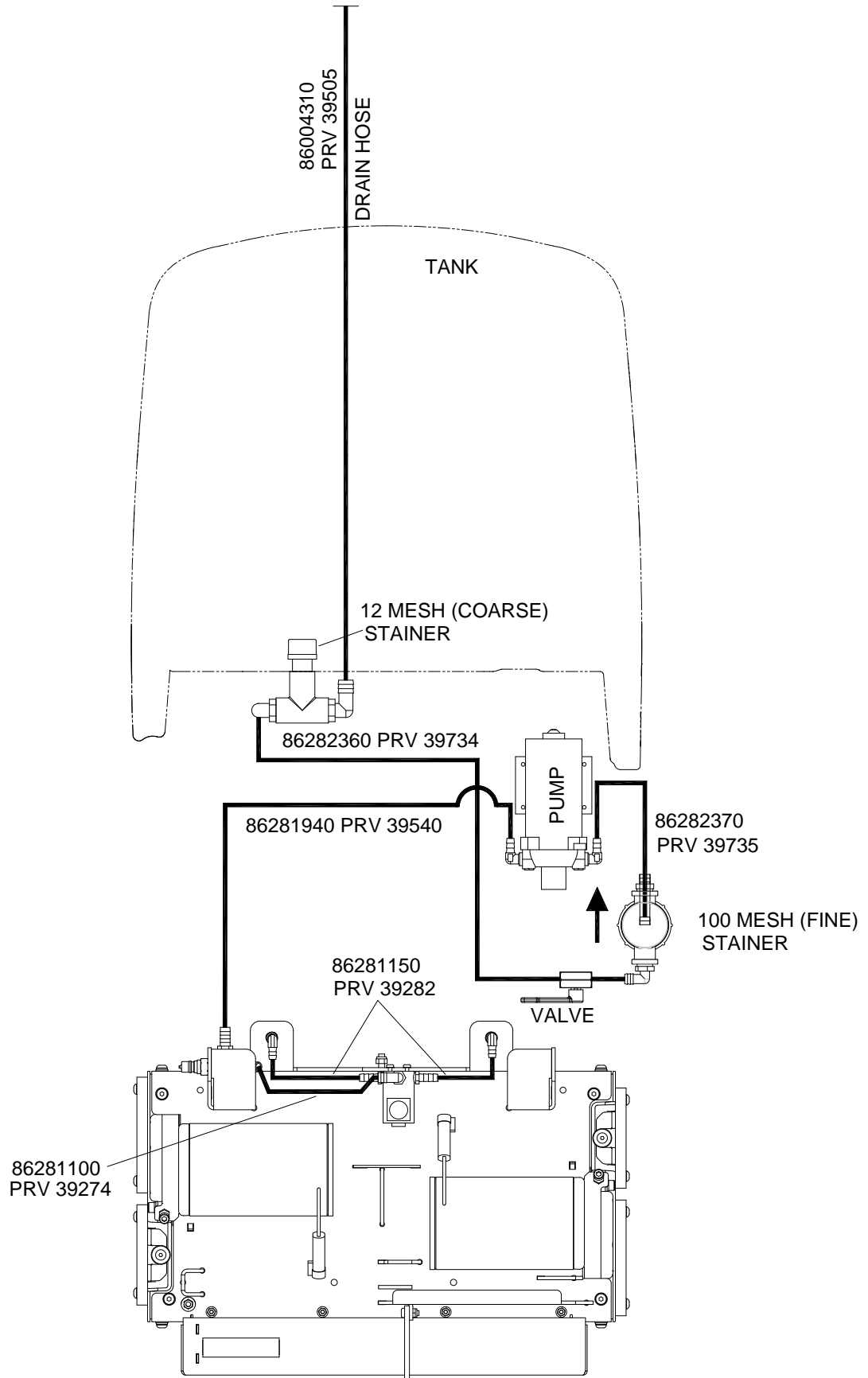


## WIRING-PEDAL PLATFORM

REF	PART NO.	PRV NO.	QTY	DESCRIPTION	SERIAL NO. FROM	NOTES:
1	86218810	23717	1	HARNESS, TWISTER PEDAL		



# HOSE DIAGRAM



## SUGGESTED SPARE PARTS

PART NO.	PRV NO.	DESCRIPTION	SERIAL NO. FROM	NOTES:
86001910	14606	BREAKER, 30A 50VDC CIRCUIT		
86002000	14717	BREAKER, 3 AMP		
86251410	67506	RELAY, 15A 36V MINI		
86007140	72130	SWITCH, SPST 2-POSITION ROCKER		
86007190	72161	SWITCH KEY DPST		
86007240	72190	SWITCH, SEALED PB ROUND		
86001740	140816	BRAKE, 36 VDC W/CONNECTOR		
86002730	270085	CHAIN, ISO 08B 12.7 MM PITCH		
86001730	140804	BREAKER, 18A 250VDC, 50VDC		
86007130	72128	SWITCH, DPDT 2-POSITION ROCKER		
86006370	67315	RELAY, 36VDC 100AMP HVY DUTY		
86028890	84098	VALVE, 115V CMD SOLENOID SVC		
86252980	730369	SCREEN, 100 MESH		
86241730	44107	JET, MINI PROMAX 9506		

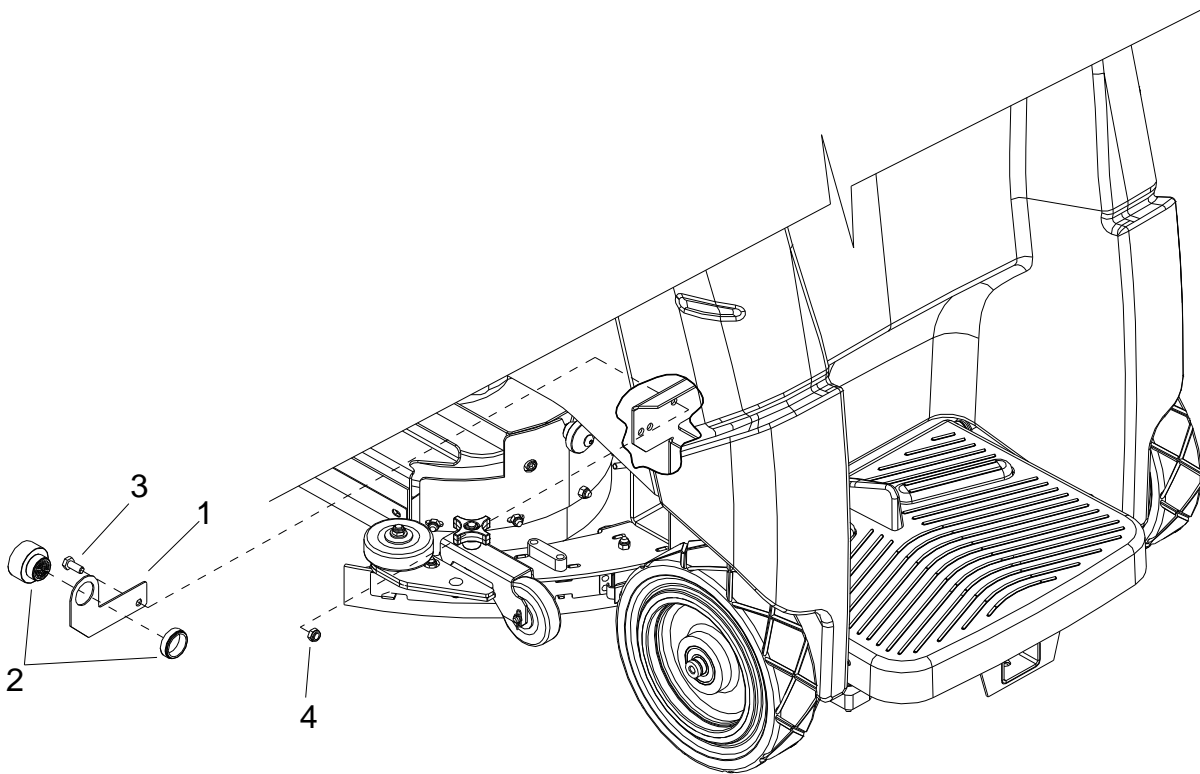




**chariot**  
**OPTIONS**

86037880 CHARIOT EXTRACTOR 01/16/07

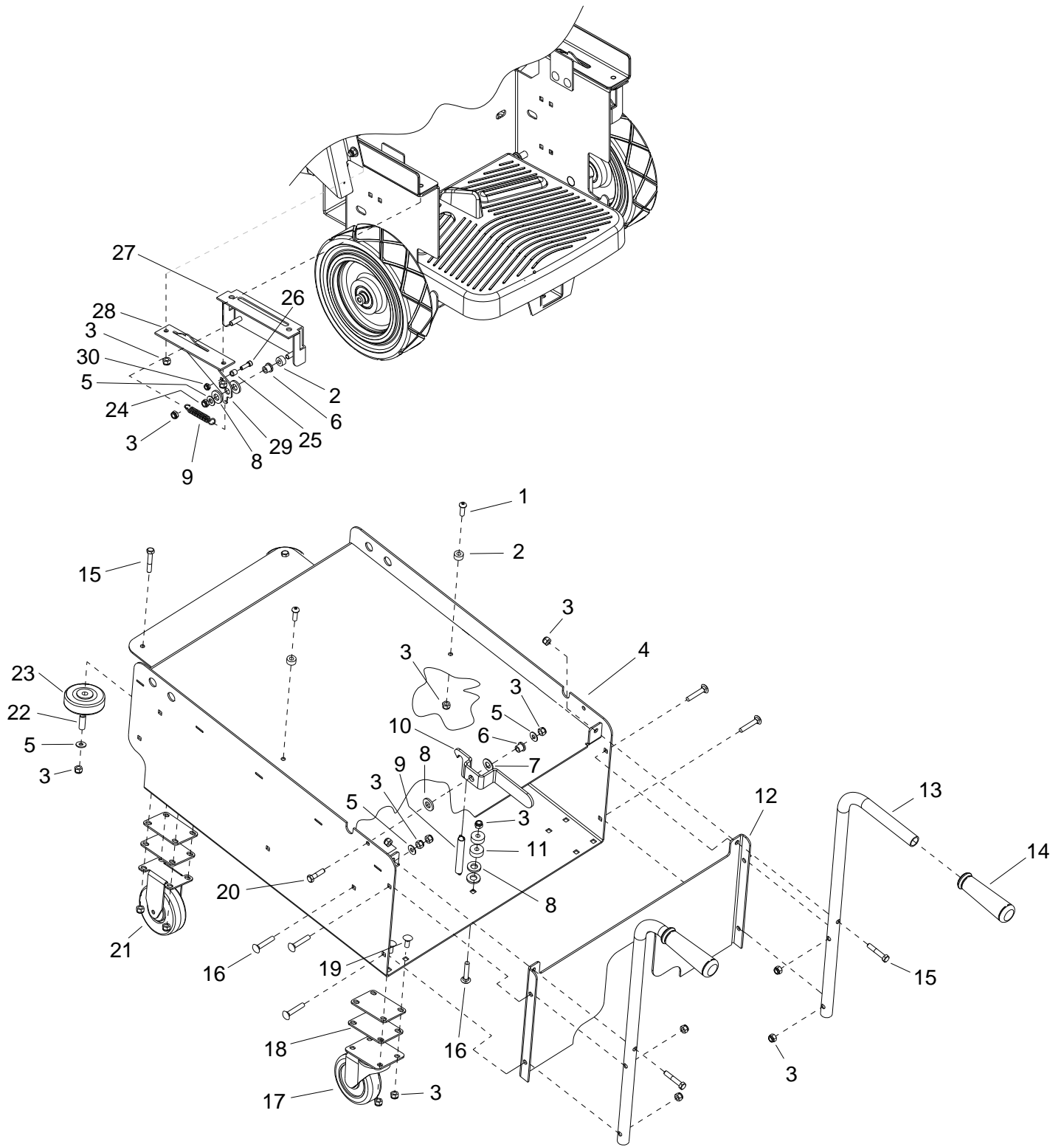
## BACK-UP ALARM - OPTION



## **BACK-UP ALARM - OPTION**

REF	PART NO.	PRV NO.	QTY	DESCRIPTION	SERIAL NO. FROM	NOTES:
1	86071140	140817	1	BRKT, BACK UP ALARM		
2	86231500	80882	1	BUZZER, PIEZO 6-28VCD		
3	86276780	70728	1	SCR, 5/16-18 X 3/4 HHCS SS		
4	86271840	57285	1	NUT, 5/16-18 HEX NYLOCK THN SS		

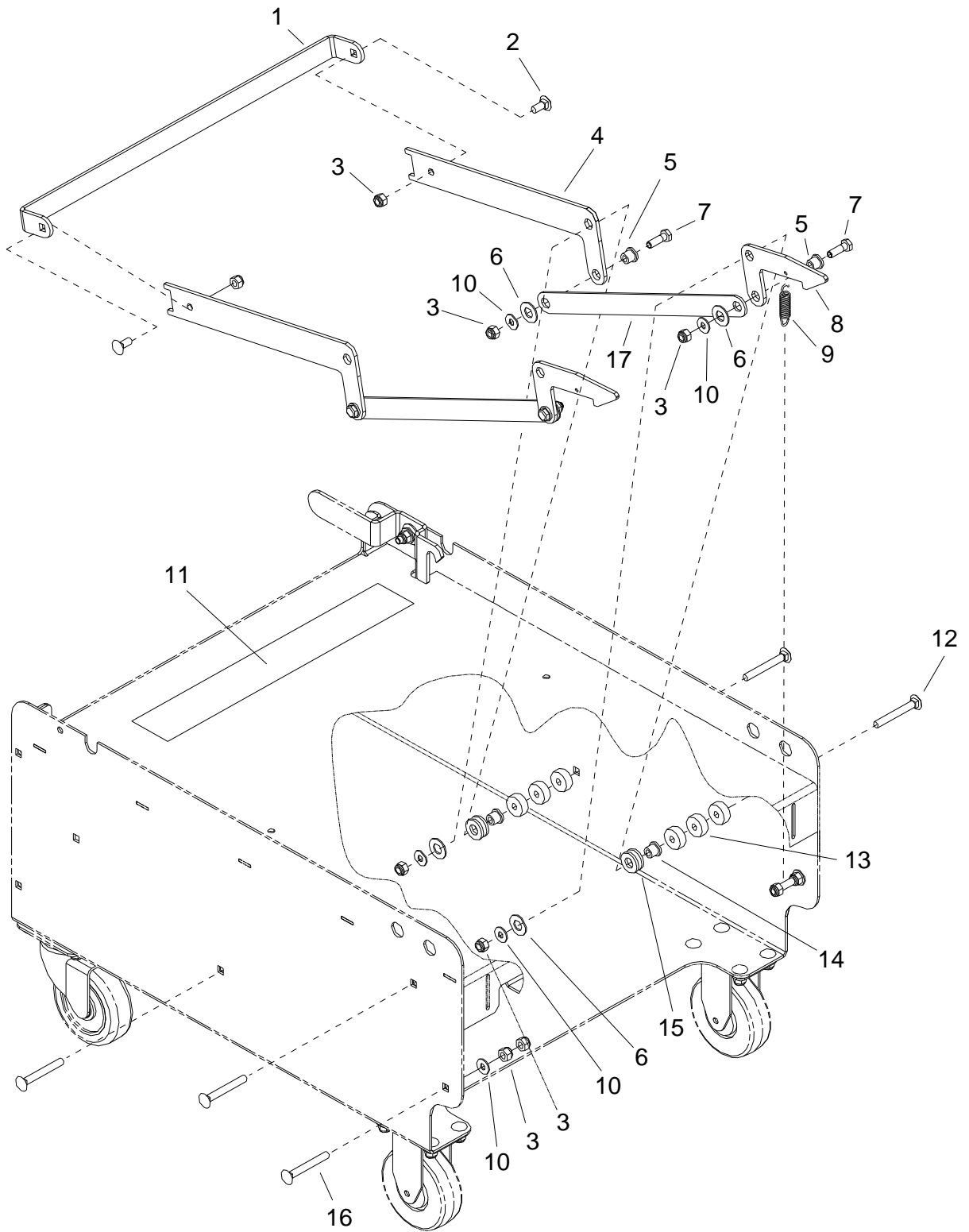
# BATTERY CART - OPTION



## BATTERY CART - OPTION

REF	PART NO.	PRV NO.	QTY	DESCRIPTION	SERIAL NO. FROM	NOTES:
1	86006930	70514	2	SCR, 5/16-18 X 1.00 BSHCS SS		
2	86254290	730338	4	SPACER, 10D X .343ID, .5 LG		
3	86270830	57023	33	NUT, 5/16-18 HEX NYLOCK SS		
4	86077010	41517	1	HOUSING, BATTERY CART		
5	86010670	87029	7	WASHER, 5/16 FLAT SS		
6	86228840	09124	3	BEARING, FLANGED .314D X .502OD		
7	86259410	87206	1	WASHER, THRUST .51 ID X 1 OD X .063		
8	86259400	87205	6	WASHER, THRUST .51 ID X 1 ODBRO		
9	86254890	730018	3	SPRING, EXT, .50D X 4.0L		
10	86068490	140019	1	BRKT, TRAY CATCH		
11	86254280	730331	2	SPACER, 1.00 OD X .32 ID X .375		
12	86083120	66442	1	PLATE, BATTERY CART BACK		
13	86076600	38318	2	HANDLE, BATTERY CART		
14	86004070	36196	2	GRIP, POLISHER HANDEL		
15	86276790	70732	4	SCR, 5/16-18 X 1.75 HHCS SS		
16	86276690	70715	8	SCR, 5/16-18 X 1.75 CARR SS		
17	86199430	040-03	2	CASTER SWIVEL 4" 250# CPCTY		
18	86078890	620020	8	PLATE, CASTER SPACER		
19	86277130	70795	16	SCR, 5/16-18 X 1.00 CARRIAGE SS		
20	86007020	70673	1	SP SCR, 5/16-18 X 1.25 HHCS SS NP		
21	86232590	18032	2	CASTER, 4" HARD RUBBER RIGID		
22	86001350	140390	2	BUSHING, SPANNER .435 X 1.10		
23	86011020	89202	2	WHEEL, 3" DIA CUSHION RUBBER		
24	86271840	57285	2	NUT, 5/16-18 HEX NYLOCK THIN SS		
25	86008130	73958	2	SPACER, 3/8OD X .62W X .312L, AL		
26	86274730	70265	2	SCR, 1/4-20 X 3/4 SHCS PLTD		
27	86070790	140737	2	BRKT, BATTERY LOCK MOUNT		
28	86087340	730339	2	SPACER, LATCH GUIDE		
29	86070800	140738	2	BRKT, BATTERY TRAY LOCK		
30	86271870	57290	2	NUT, 1/4-20 HEX NYLOCK THIN SS		

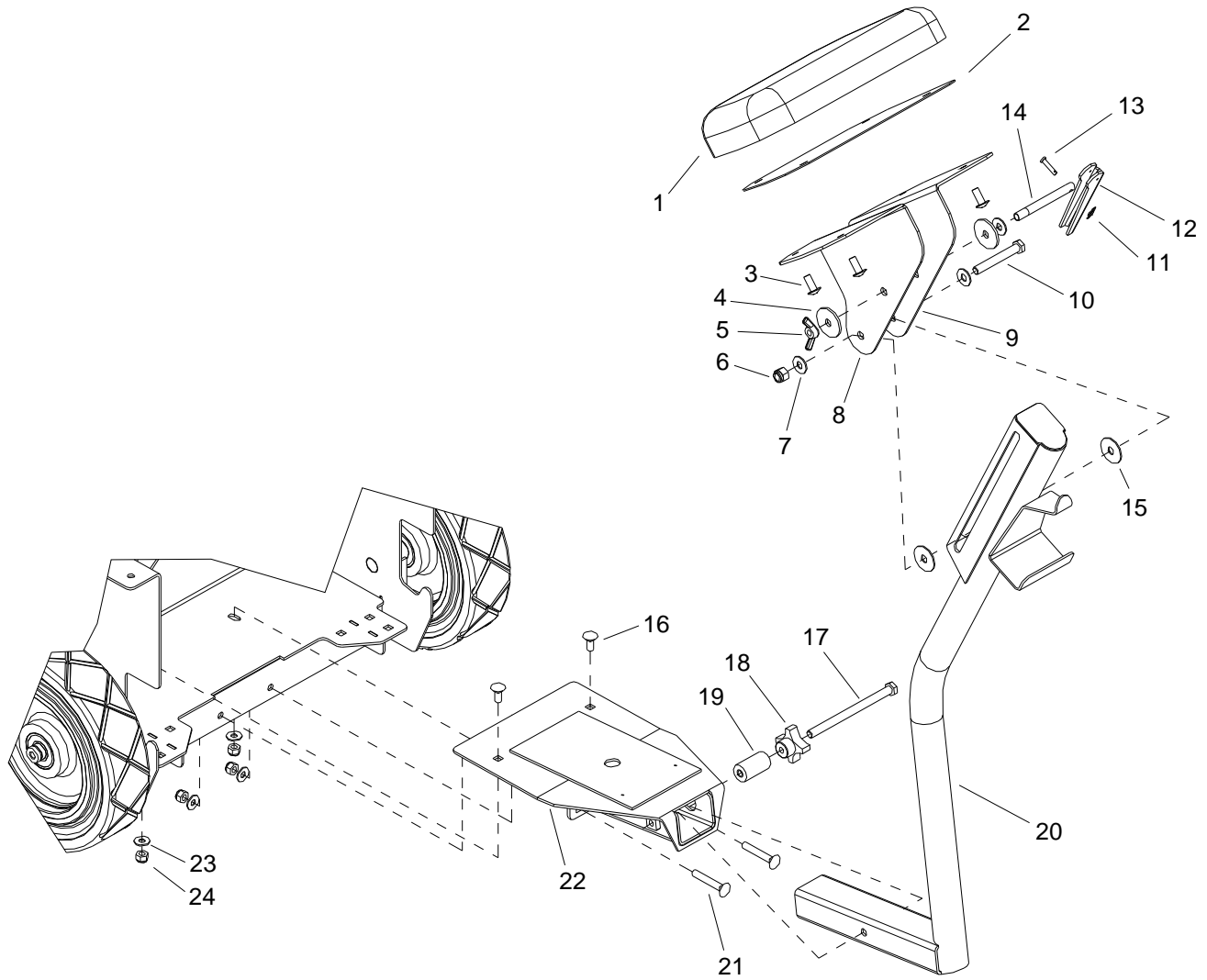
# BATTERY CART - OPTION



## BATTERY CART - OPTION

REF	PART NO.	PRV NO.	QTY	DESCRIPTION	SERIAL NO. FROM	NOTES:
1	86078330	66478	1	PEDAL, BATTERY CART		
2	86276070	70593	2	SCR, 5/16-18 X 3/4 CARRIAGE SS		
3	86270830	57023	12	NUT, 5/16-18 HEX NYLOCK SS		
4	86087800	730307	2	STIFFENER, PEDAL, BATTERY CART		
5	86228840	09124	4	BEARING, FLANGED .314ID X .502OD		
6	86259410	87206	6	WASHER, THRUST .51 ID X 1 OD X .063		
7	86006560	70083	4	SCR, 5/16-18 X 1 HHCS SS		
8	86077140	51404	2	LATCH, BATTERY CART		
9	86226830	73268	2	SPRING, EXT .68D X 3.00L X .098W		
10	86010670	87029	10	WASHER, 5/16 FLAT SS		
11	86244280	500934	1	LABEL, BATTERY CAR OPERATION		
12	86276060	70590	4	SCR, 5/16-18 X 2.5 CARR GR5		
13	86254280	730331	12	SPACER, 1.00 ODX .32ID X .375		
14	86231150	09151	4	BUSHING FLANGE, .314 X .502 OD		
15	86259400	87205	8	WASHER, THRUST .51 ID X 1 OD		
16	86276690	70715	16	SCR, 5/16-18 X 1.75 CARR SS		
17	86077530	51403	2	LINKAGE, LATCH, BATT CART		

# SEAT - OPTION

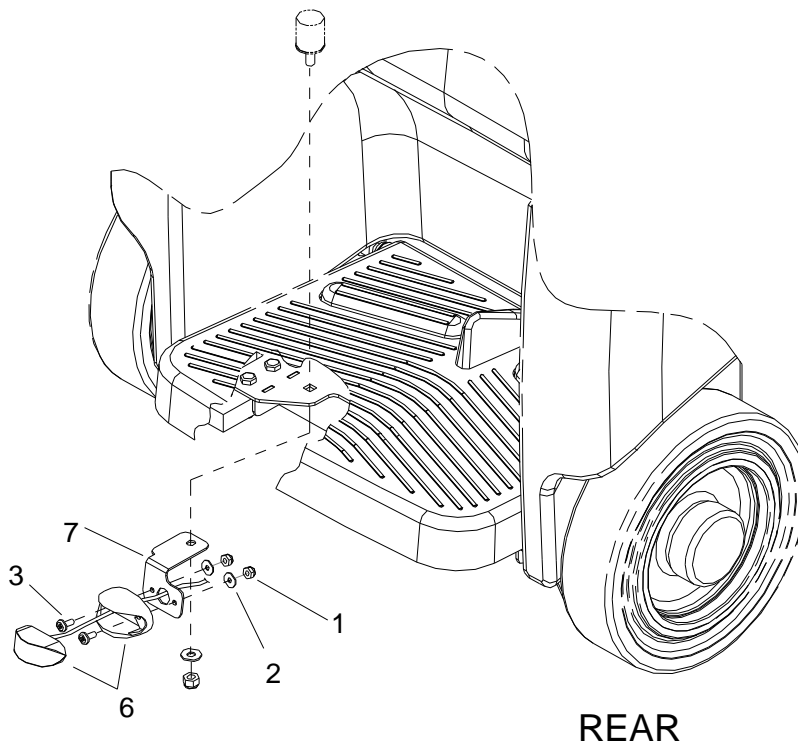
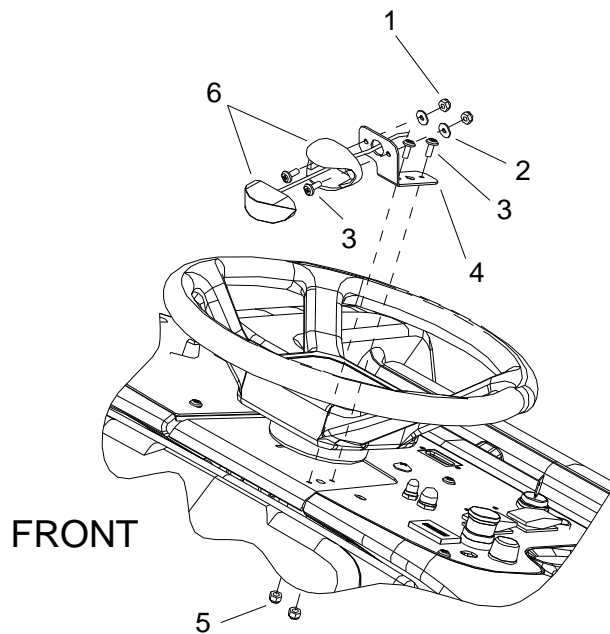




**SEAT - OPTION**

REF	PART NO.	PRV NO.	QTY	DESCRIPTION	SERIAL NO. FROM	NOTES:
1	86248390	730324	1	PAD, REAR REST		
2	86082640	629995	1	PLATE, SEAT COVER		
3	86276890	70752	4	SCR, 5/16-18 X 3/4 PTHMS SS		
4	86279460	87164	2	WASHER, 1/2 SPLIT LOCK		
5	86270710	01-000277	1	NUT, WING 3/8-16		
6	86271930	57297	1	NUT, 3/8-16 HEX NYLOCK SS		
7	86278910	87003	3	NUT, 3/8-16 HEX NYLOCK SS		
8	86070830	140742	1	BRKT, LEFT REAR SEAT		
9	86070840	140743	1	BRKT, RIGHT REAR SEAT		
10	86277710	730347	1	SCR, 3/8-16 X 2.75 HHCS SS		
11	86008650	80604	1	COTTER, 1/4" RING		
12	86246320	51142	1	LEVER, HANDLE LOCK		
13	86272300	66133	1	PIN, CLEVIS 3/16 X .88 PLTD		
14	86251860	66481	1	ROD, ARM HANDLE LOCK 4" LG		
15	86279620	87200	2	WASHER, .41D X 1.3OD NYLON		
16	86276070	70593	2	SCR, 5/16-18 X 3/4 CARRIAGE SS		
17	86277510	70857	1	SCR, 3/8-16 X 5.0 HHCS SS FT		
18	86009200	81535	1	KNOB, 3/8-16 4 PRONG ALUM		
19	86254300	730350	1	SPACER, SEAT LOCK		
20	86094000	05246	1	SEAT MOUNT POST		
21	86276710	70717	2	SCR, 5/16-18 X 2.0 CARRIAGE SS		
22	86093790	05247	1	RECEIVER ASSY, SEAT MOUNT		
23	86010670	87029	4	WASHER, 5/16 FLAT SS		
24	86270830	57023	4	NUT, 5/16-18 HEX NYLOCK SS		

# WARNING LIGHTS - OPTION



## WARNING LIGHTS - OPTION

REF	PART NO.	PRV NO.	QTY	DESCRIPTION	SERIAL NO. FROM	NOTES:
1	86270990	57090	4	NUT, 10-32 HEX NYLOCK SS		
2	86010650	87018	4	WASHER, #10 X 6/16 OD		
3	86276820	70740	4	SCR, 10-32 X 1/2 PTHMS BLK		
4	86071490	140871	1	BRKT, UPPER WARNING LIGHT		
5	86270990	57090	2	NUT, 10-32 HEX NYLOCK SS		
6	86246200	51454	2	LED AMBER LIGHT, 12V		
7	86071500	140872	1	BRKT, LOWER WARNING LIGHT		

## **SERIAL NUMBERS**

REF. NO.	MODEL: SERIAL #
1	CE24, CEE24, CE24X: <b>1000168053</b>
2	CE24, CEE24, CE24X: <b>1000170494</b>
3	CE24, CEE24, CE24X: <b>10060210000143</b>
4	CE24: <b>1006014000161</b> , CEE24: <b>1006016000023</b>
5	CE24, CEE24, CE24X: <b>10060140000002</b>
6	CE24, CEE24, CE24X: <b>10060140000046</b>
7	CE24, CEE24, CE24X: <b>10060210000104</b>
8	CE24: <b>10060140000256</b> , CEE24: <b>10060160000026</b> , CE24X: <b>10060150000057</b>
9	CE24: <b>10060140000283</b> , CEE24: <b>10060160000026</b>

## Free Manuals Download Website

<http://myh66.com>

<http://usermanuals.us>

<http://www.somanuals.com>

<http://www.4manuals.cc>

<http://www.manual-lib.com>

<http://www.404manual.com>

<http://www.luxmanual.com>

<http://aubethermostatmanual.com>

Golf course search by state

<http://golfingnear.com>

Email search by domain

<http://emailbydomain.com>

Auto manuals search

<http://auto.somanuals.com>

TV manuals search

<http://tv.somanuals.com>