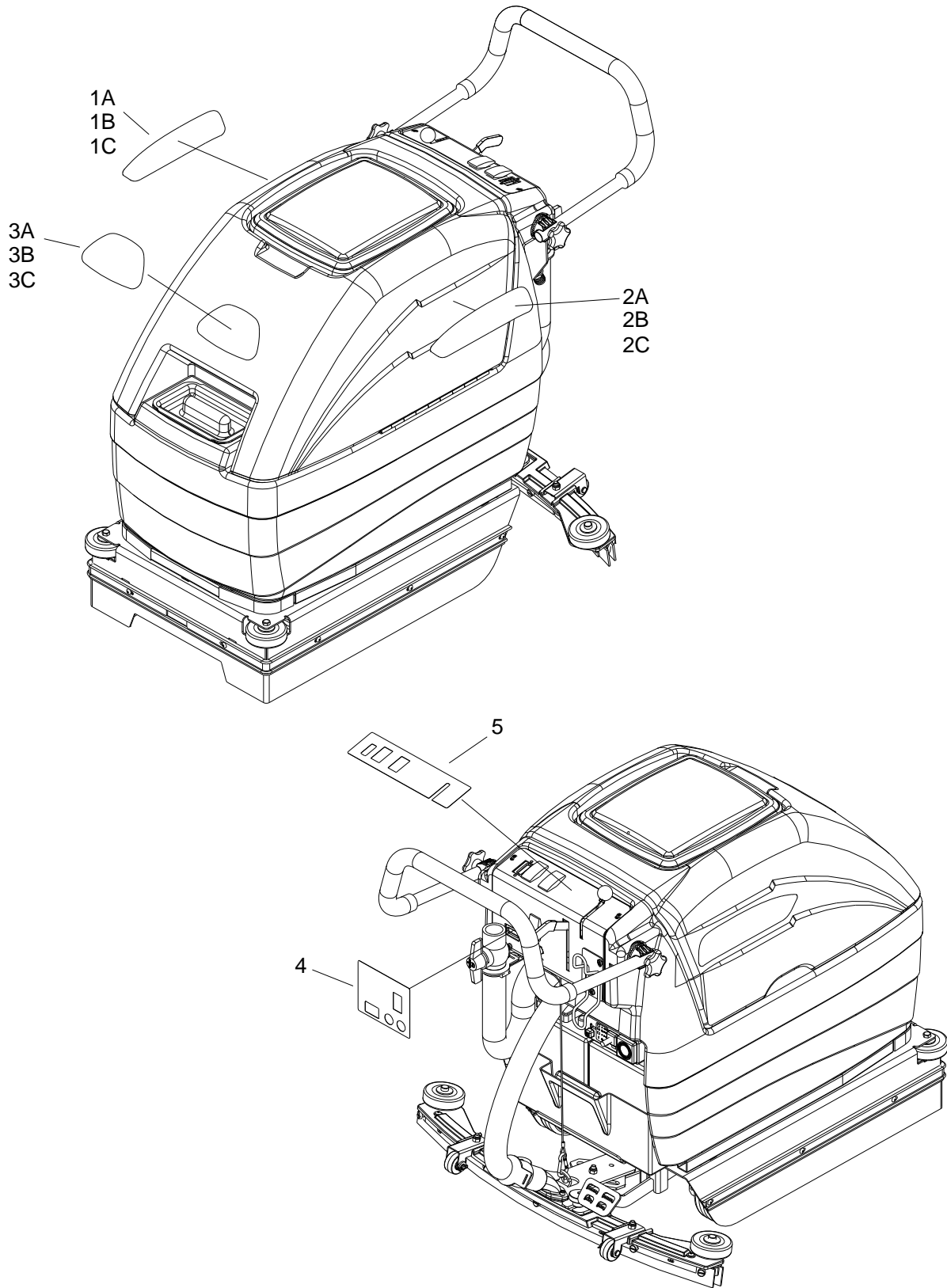


17" SCRUBBER PARTS LIST

86221970 17" SCRUBBER 01/03/07

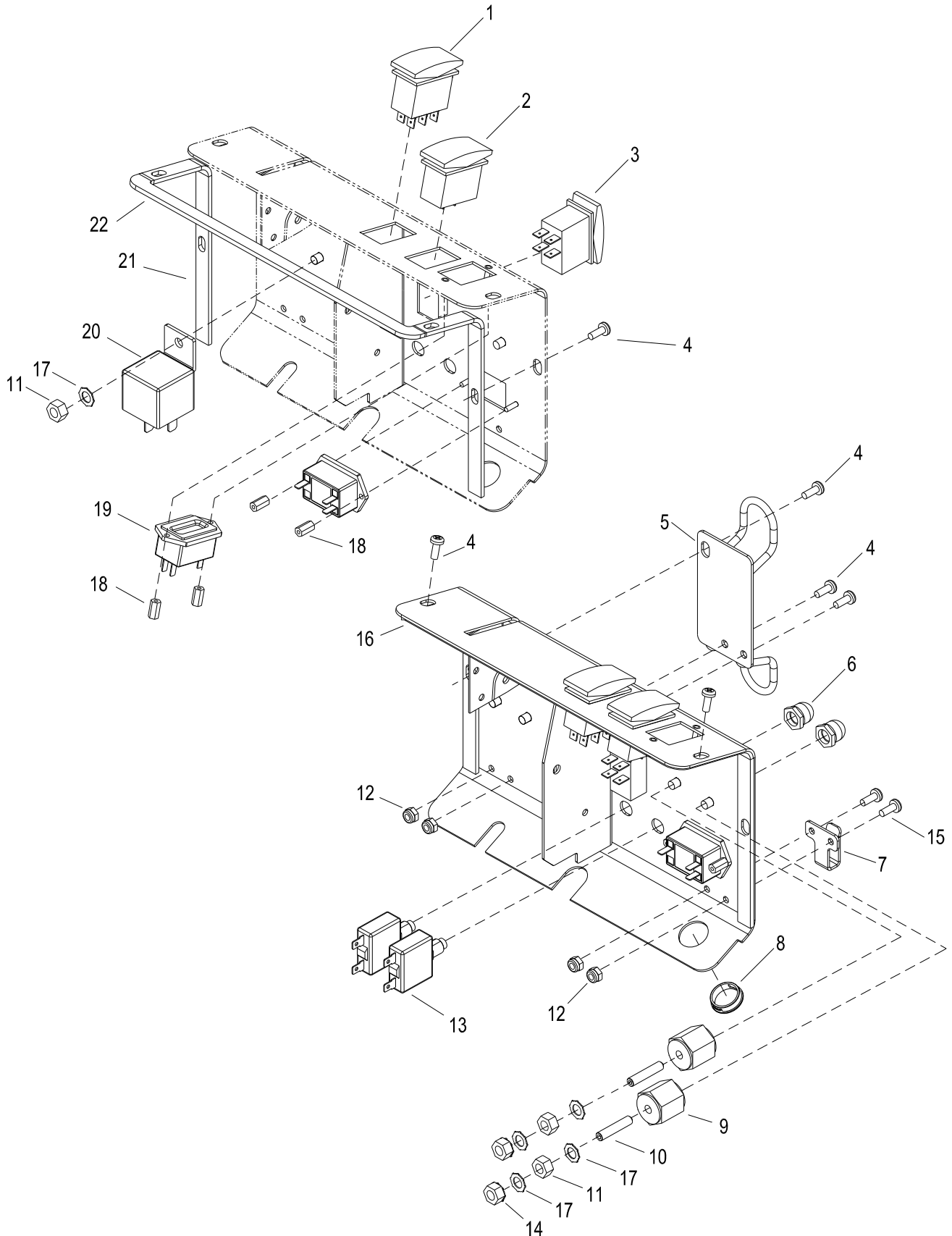
DECAL



DECAL

| REF | PART NO. | PRV NO. | QTY | DESCRIPTION | SERIAL NO. FROM | NOTES: |
|-----|----------|---------|-----|---------------------------|--------------------|--|
| 1A | 86243040 | 500301 | 1 | LABEL, MAIN (RIGHT) | | SCC172, QSCC172, SCHC172, SCH172, QSC172 |
| 1B | 86244000 | 500789 | 1 | LABEL, MAIN (RIGHT) | | HCC172 |
| 1C | 86220990 | 501086 | 1 | LABEL, MAIN, AS17 (RIGHT) | | AS17, AS17B, AS17T, AS17TH, AS17E, AS17I |
| 2A | 86243050 | 500302 | 1 | LABEL, MAIN (LEFT) | | SCC172, QSCC172, SCHC172, SCH172, QSC172 |
| 2B | 86244010 | 500790 | 1 | LABEL, MAIN (LEFT) | | HCC172 |
| 2C | 86221000 | 501087 | 1 | LABEL, MAIN, AS17 (LEFT) | | AS17 ALL MODELS |
| 3A | 86004970 | 50990 | 1 | LABEL, LOGO DOMED | | SCC172, QSCC172, SCHC172, SCH172, QSC172 |
| 3B | 86244020 | 500794 | 1 | LABEL, LOGO DOMED | | HCC172 |
| 3C | 86244520 | 501110 | 1 | LABEL, LOGO DOMED | | AS17 ALL MODELS |
| 4 | 86220670 | 501027 | 1 | LABEL, CIRCUIT BREAKER | | |
| 5 | 86220660 | 501026 | 1 | LABEL, PANEL 17 IN | | |

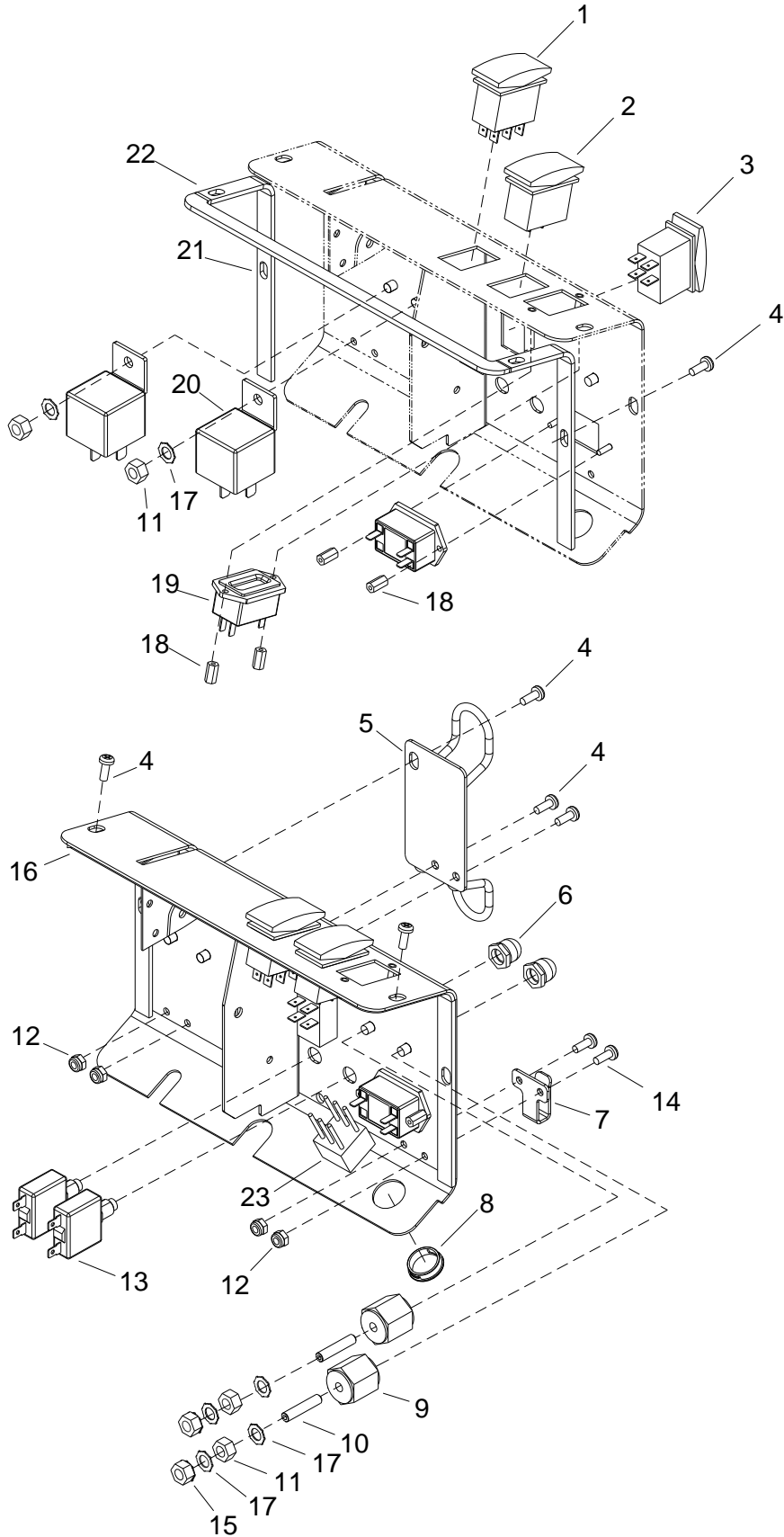
CONTROL PANEL- W/CHARGER



CONTROL PANEL – W/CHARGER

| REF | PART NO. | PRV NO. | QTY | DESCRIPTION | SERIAL NO. FROM | NOTES: |
|-----|----------|---------|-----|--------------------------------|--------------------|--------|
| 1 | 86007130 | 72128 | 1 | SWITCH, DPDT 2-POSITION ROCKER | | |
| 2 | 86007140 | 72130 | 1 | SWITCH, SPST 2-POSITION ROCKER | | |
| 3 | 86257090 | 72181 | 1 | SWITCH, DPST 2-POSITION ROCKER | | |
| 4 | 86276820 | 70740 | 6 | SCR, 10-32 X 1/2 PTHMS BLK NP | | |
| 5 | 86218800 | 41540 | 1 | HANGER, CHARGER CORD 172 | | |
| 6 | 86215420 | 140888 | 2 | BOOT, M12 CIRCUIT BREAKER | | |
| 7 | 86215860 | 140913 | 1 | BRKT, HOSE HOOK | | |
| 8 | 86231240 | 140429 | 1 | BUSHING, .75 ID X .25 H | | |
| 9 | 86255910 | 73659 | 2 | STANDOFF, 1/4-20 X 1.0 HEX INS | | |
| 10 | 86006850 | 70393 | 2 | SET SCR, 1/4-20 X 1.25 L | | |
| 11 | 86222310 | 57311 | 3 | NUT, 1/4-20 UNC | | |
| 12 | 86005640 | 57030 | 4 | NUT, 10-32 HEX NYLOCK | | |
| 13 | 86215680 | 140931 | 2 | BREAKER, 25A, 250VAC 50VDC | | |
| 14 | 86005680 | 57047 | 2 | NUT, 1/4-20 HEX NYLOCK | | |
| 15 | 86274290 | 70162 | 2 | SCR, 10-32 X 3/8 PPHMS SS | | |
| 16 | 86222490 | 61480 | 1 | PANEL, SCRUBBER 17 IN | | |
| 17 | 86010660 | 87025 | 5 | WASHER, 1/4 LOCK EXT STAR SS | | |
| 18 | 86224880 | 730365 | 4 | STANDOFF, HEX BRASS 6-32 THRD | | |
| 19 | 86246970 | 54192 | 1 | METER, 24V BATTERY W/OUTPUT | | |
| 20 | 86251420 | 67610 | 1 | RELAY, 24VDC 40A /BRKT | | |
| 21 | 86218070 | 35358 | 2 | GASKET, ELECTRIC COVER SIDE | | |
| 22 | 86218080 | 35359 | 1 | GASKET, ELECTRICAL COVER | | |

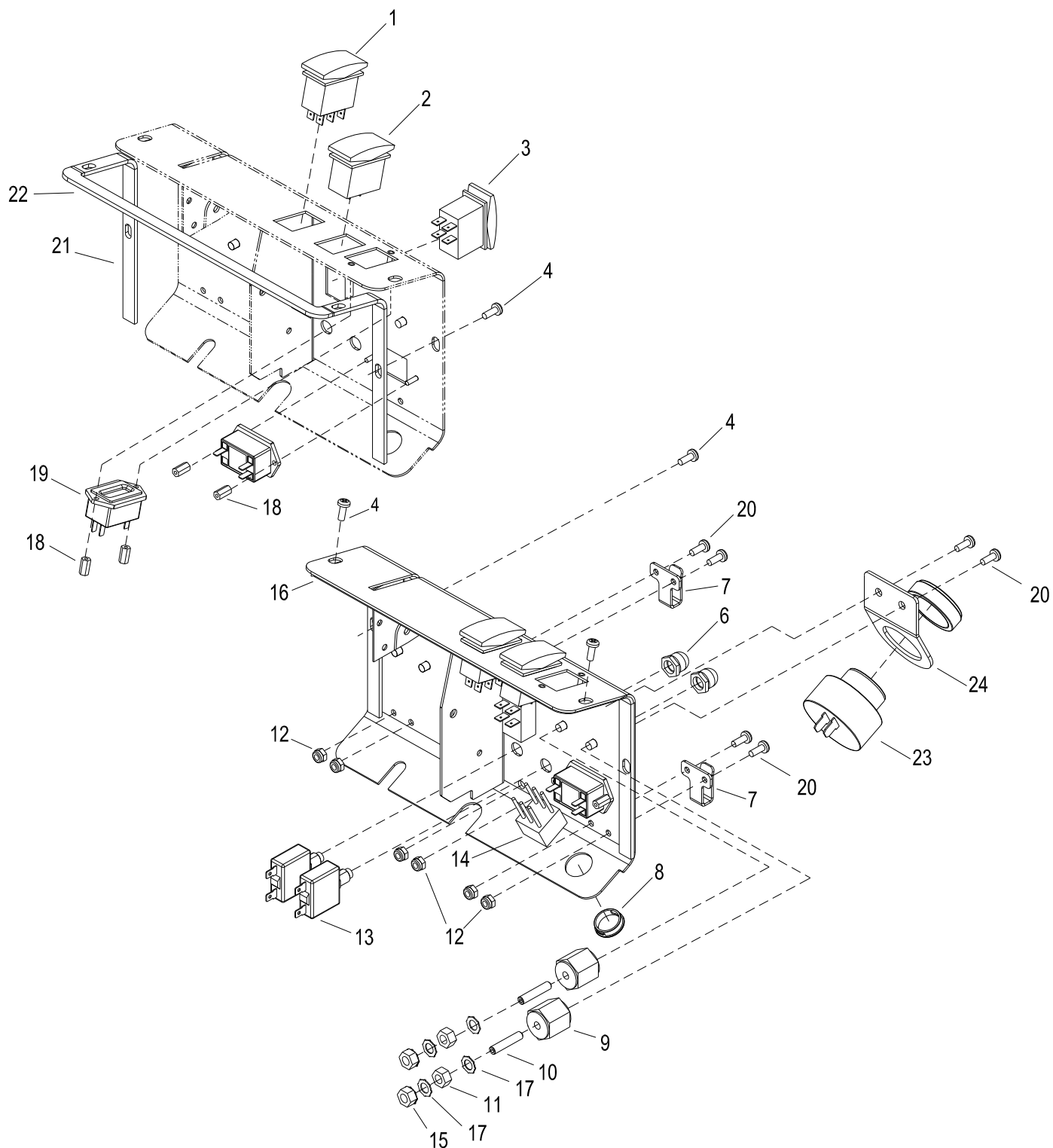
CONTROL PANEL- SCHC172 W/CHARGER



CONTROL PANEL SCHC172 W/CHARGER

| REF | PART NO. | PRV NO. | QTY | DESCRIPTION | SERIAL NO. FROM | NOTES: |
|-----|----------|---------|-----|--------------------------------|--------------------|--------|
| 1 | 86007130 | 72128 | 1 | SWITCH, DPDT 2-POSITION ROCKER | | |
| 2 | 86007140 | 72130 | 1 | SWITCH, SPST 2-POSITION ROCKER | | |
| 3 | 86257090 | 72181 | 1 | SWITCH, DPST 2-POSITION ROCKER | | |
| 4 | 86276820 | 70740 | 6 | SCR, 10-32 X 1/2 PPHMS BLK NP | | |
| 5 | 86218800 | 41540 | 1 | HANGER, CHARGER CORD 172 | | |
| 6 | 86215420 | 140888 | 2 | BOOT, M12 CIRCUIT BREAKER | | |
| 7 | 86215860 | 140913 | 1 | BRKT, HOSE HOOK | | |
| 8 | 86231240 | 140429 | 1 | BUSHING, .75 ID X .25 H | | |
| 9 | 86255910 | 73659 | 2 | STANDOFF, 1/4-20 X 1.0 HEX INS | | |
| 10 | 86006850 | 70393 | 2 | SET SCR, 1/4-20 X 1.25 L | | |
| 11 | 86222310 | 57311 | 4 | NUT, 1/4-20 HEX UNC BLACK C | | |
| 12 | 86005640 | 57030 | 4 | NUT, 10-32 HEX NYLOCK SS | | |
| 13 | 86215680 | 140931 | 2 | BREAKER, 25A, 250VAC, 50VDC | | |
| 14 | 86274290 | 70162 | 2 | SCR, 10-32 X 3/8 PPHMS SS | | |
| 15 | 86005680 | 57047 | 2 | NUT, 1/4-20 HEX NYLOCK | | |
| 16 | 86222490 | 61480 | 1 | PANEL, SCRUBBER | | |
| 17 | 86010660 | 87025 | 5 | WASHER, 1/4 LOCK EXT STAR SS | | |
| 18 | 86224880 | 730365 | 4 | STANDOFF, HEX BRASS 6-32 THRD | | |
| 19 | 86246970 | 54192 | 1 | METER, 24V BATTERY W/OUTPUT | | |
| 20 | 86251420 | 67610 | 2 | RELAY, 24VDC 40A W/BRKT | | |
| 21 | 86218070 | 35358 | 2 | GASKET, ELECTRICAL COVER SIDE | | |
| 22 | 86218080 | 35359 | 1 | GASKET, ELECTRICAL COVER | | |
| 23 | 86251400 | 67495 | 1 | RELAY, BATTERY METER OUTPUT | | |

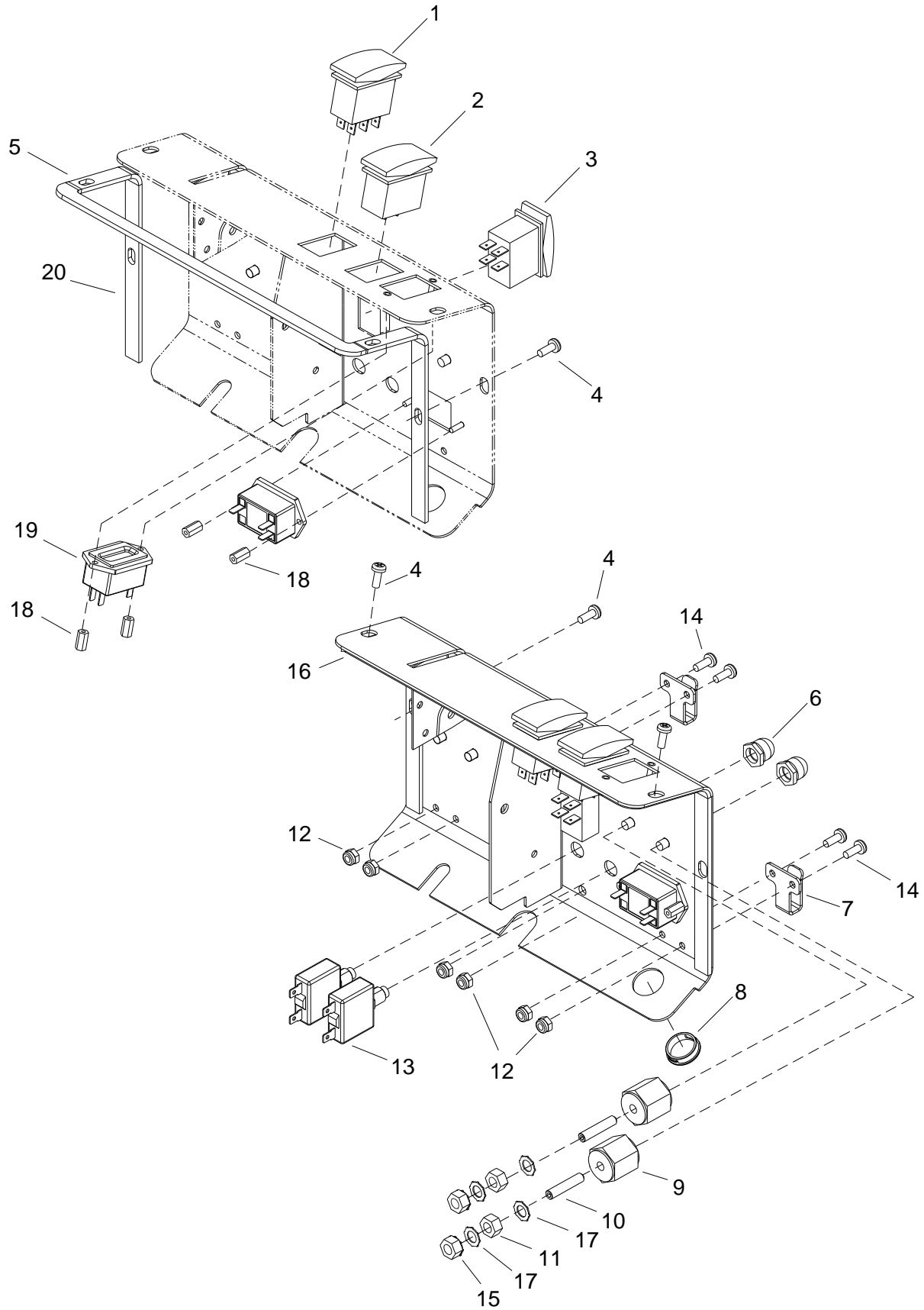
CONTROL PANEL – SCH172



CONTROL PANEL- SCH172

| REF | PART NO. | PRV NO. | QTY | DESCRIPTION | SERIAL NO. FROM | NOTES: |
|-----|----------|---------|-----|--------------------------------|-----------------|--------|
| 1 | 86007130 | 72128 | 1 | SWITCH, DPDT 2-POSITION ROCKER | | |
| 2 | 86007140 | 72130 | 1 | SWITCH, SPST 2-POSITION ROCKER | | |
| 3 | 86257090 | 72181 | 1 | SWITCH, DPST 2-POSITION ROCKER | | |
| 4 | 86276820 | 70740 | 4 | SCR, 10-32 X 1/2 PTHMS BLK NP | | |
| 5 | OPEN | - | - | - | | |
| 6 | 86215420 | 140888 | 2 | BOOT, M12 CIRCUIT BREAKER | | |
| 7 | 86215860 | 140913 | 2 | BRKT, HOSE HOOK | | |
| 8 | 86231240 | 140429 | 1 | BUSHING, .75 ID X .25 H | | |
| 9 | 86255910 | 73659 | 2 | STANDOFF, 1/4-20 X 1.0 HEX INS | | |
| 10 | 86006850 | 70393 | 2 | SET SCR, 1/4-20 X 1.25 L | | |
| 11 | 86222310 | 57311 | 2 | NUT, 1/4-20 HEX UNC BLACK C | | |
| 12 | 86005640 | 57030 | 6 | NUT, 10-32 HEX NYLOCK SS | | |
| 13 | 86215680 | 140931 | 2 | BREAKER, 25A, 250VAC, 50VDC | | |
| 14 | 86251400 | 67495 | 1 | RELAY, BATTERY METER OUTPUT | | |
| 15 | 86005680 | 57047 | 2 | NUT, 1/4-20 HEX NYLOCK | | |
| 16 | 86222500 | 61482 | 1 | PANEL, SCRUBBER DRILLED | | |
| 17 | 86010660 | 87025 | 4 | WASHER, 1/4 LOCK EXT STAR SS | | |
| 18 | 86224880 | 730365 | 4 | STANDOFF, HEX BRASS 6-32 THRD | | |
| 19 | 86246970 | 54192 | 1 | METER, 24V BATTERY W/OUTPUT | | |
| 20 | 86274290 | 70162 | 6 | SCR, 10-32 X 3/8 PPHMS SS | | |
| 21 | 86218070 | 35358 | 2 | GASKET, ELECTRICAL COVER SIDE | | |
| 22 | 86218080 | 35359 | 1 | GASKET, ELECTRICAL COVER | | |
| 23 | 86231500 | 80882 | 1 | BUZZER-PIEZO, 6-28 VDC | | |
| 24 | 86070500 | 140658 | 1 | BRKT, BATTERY ALARM | | |

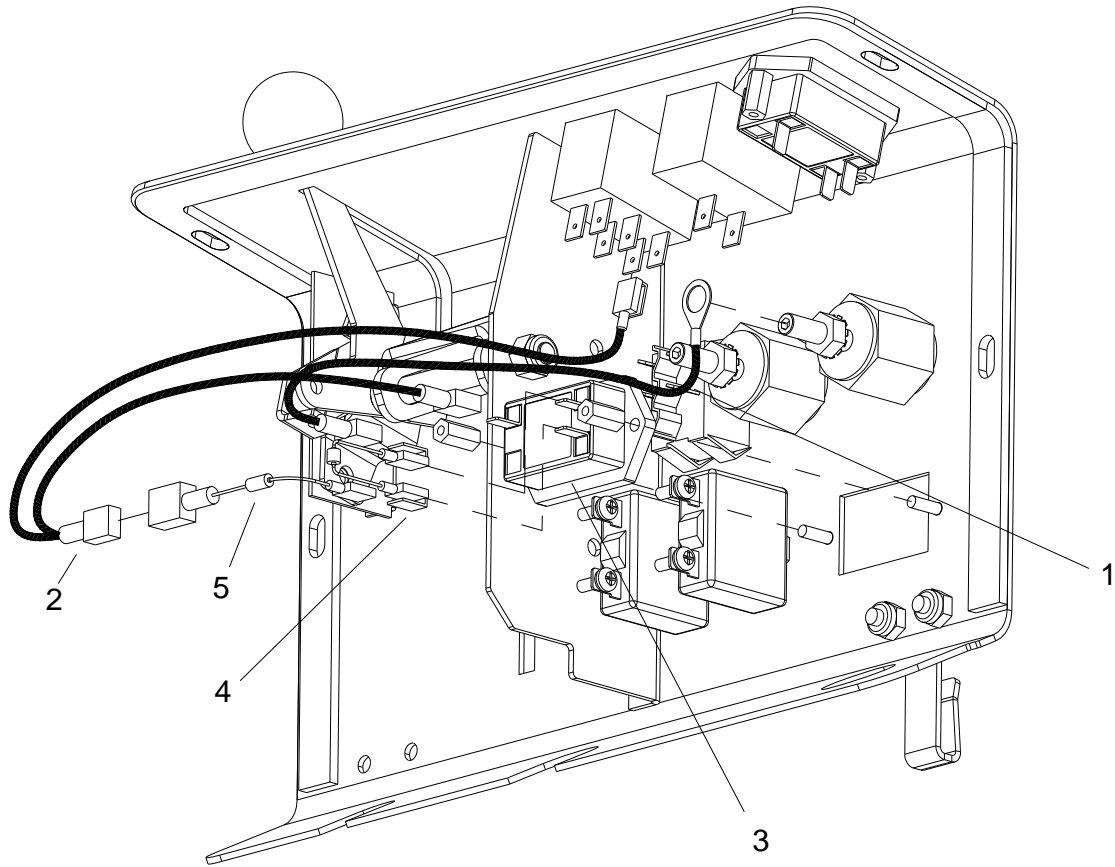
CONTROL PANEL-QSC172



CONTROL PANEL-QSC172

| REF | PART NO. | PRV NO. | QTY | DESCRIPTION | SERIAL NO. FROM | NOTES: |
|-----|----------|---------|-----|--------------------------------|--------------------|--------|
| 1 | 86007130 | 72128 | 1 | SWITCH, DPDT 2-POSITION ROCKER | | |
| 2 | 86007140 | 72130 | 1 | SWITCH, SPST 2-POSITION ROCKER | | |
| 3 | 86257090 | 72181 | 1 | SWITCH, DPST 2-POSITION ROCKER | | |
| 4 | 86276820 | 70740 | 4 | SCR, 10-32 X 1/2 PPHMS BLK NP | | |
| 5 | 86218080 | 35359 | 1 | GASKET, ELECTRICAL COVER | | |
| 6 | 86215420 | 140888 | 2 | BOOT, M12 CIRCUIT BREAKER | | |
| 7 | 86215860 | 140913 | 2 | BRKT, HOSE HOOK | | |
| 8 | 86231240 | 140429 | 1 | BUSHING, .75 ID X .25 H | | |
| 9 | 86255910 | 73659 | 2 | STANDOFF, 1/4-20 X 1.0 HEX INS | | |
| 10 | 86006850 | 70393 | 2 | SET SCR, 1/4-20 X 1.25 L | | |
| 11 | 86222310 | 57311 | 2 | NUT, 1/4-20 HEX UNC BLACK C | | |
| 12 | 86005640 | 57030 | 4 | NUT, 10-32 HEX NYLOCK SS | | |
| 13 | 86215680 | 140931 | 2 | BREAKER, 25A, 250VAC, 50VDC | | |
| 14 | 86274290 | 70162 | 2 | SCR, 10-32 X 3/8 PPHMS SS | | |
| 15 | 86005680 | 57047 | 2 | NUT, 1/4-20 HEX NYLOCK | | |
| 16 | 86222490 | 61480 | 1 | PANEL, SCRUBBER | | |
| 17 | 86010660 | 87025 | 4 | WASHER, 1/4 LOCK EXT STAR SS | | |
| 18 | 86224880 | 730365 | 4 | STANDOFF, HEX BRASS 6-32 THRD | | |
| 19 | 86246970 | 54192 | 1 | METER, 24V BATTERY W/OUTPUT | | |
| 20 | 86218070 | 35358 | 2 | GASKET, ELECTRICAL COVER SIDE | | |

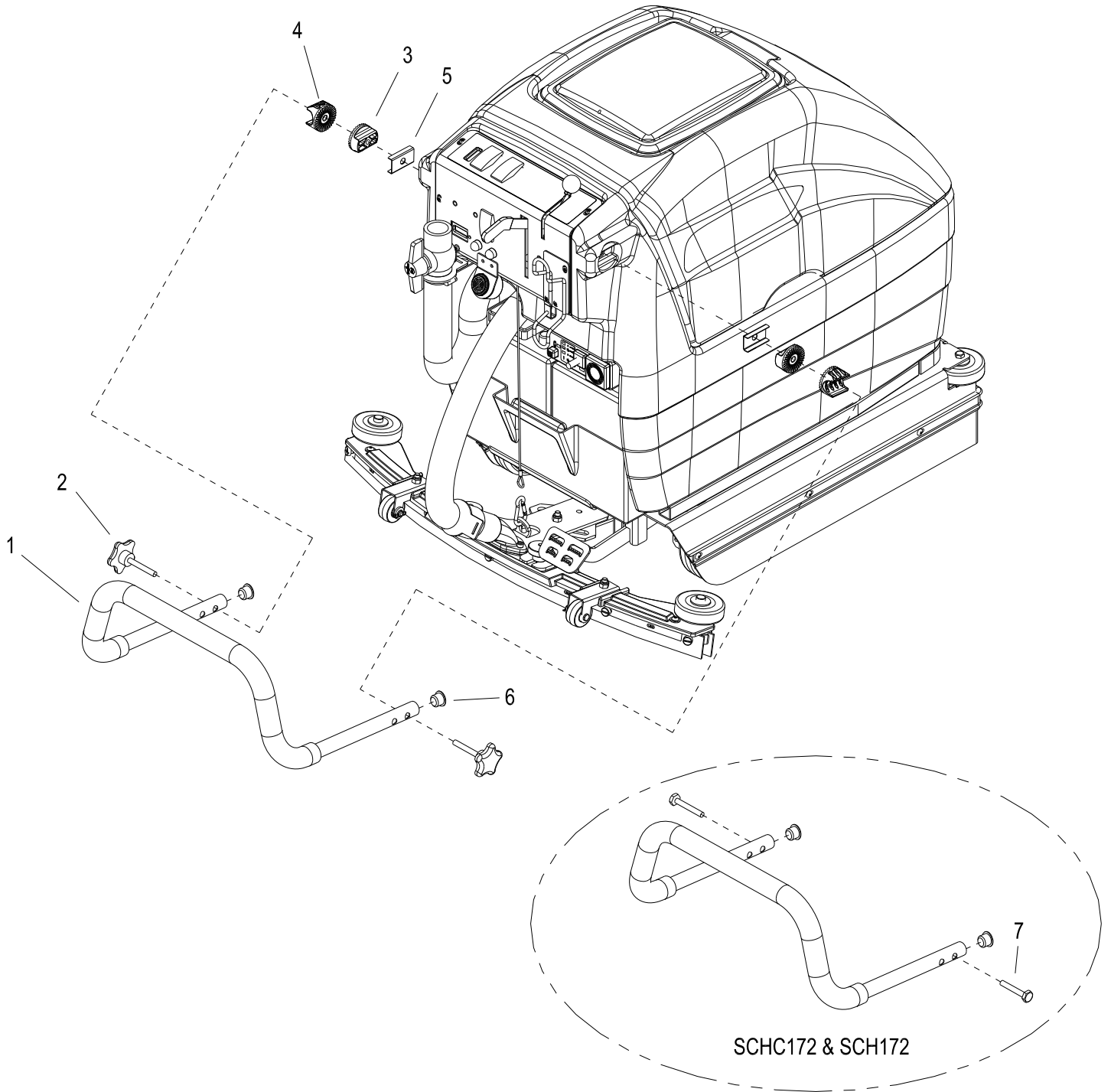
HOUR METER



HOUR METER

| REF | PART NO. | PRV NO. | QTY | DESCRIPTION | SERIAL NO. FROM | NOTES: |
|-----|----------|---------|-----|--------------------------------|--------------------|--------|
| 1 | 86267420 | 880283 | 1 | WIRE, 3.5 BLK/18 79011 X 76040 | | |
| 2 | 86260500 | 880349 | 1 | WIRE ASM, HOUR METER | | |
| 3 | 86005530 | 54154 | 1 | METER, 12-48 VDC LED HOUR | | |
| 4 | 86261240 | 29243 | 1 | DIODE ASM, 76031 X 76031 | | |
| 5 | 86261340 | 67457 | 1 | RESISTOR ASM, 2.7K OHM 1 WATT | | |

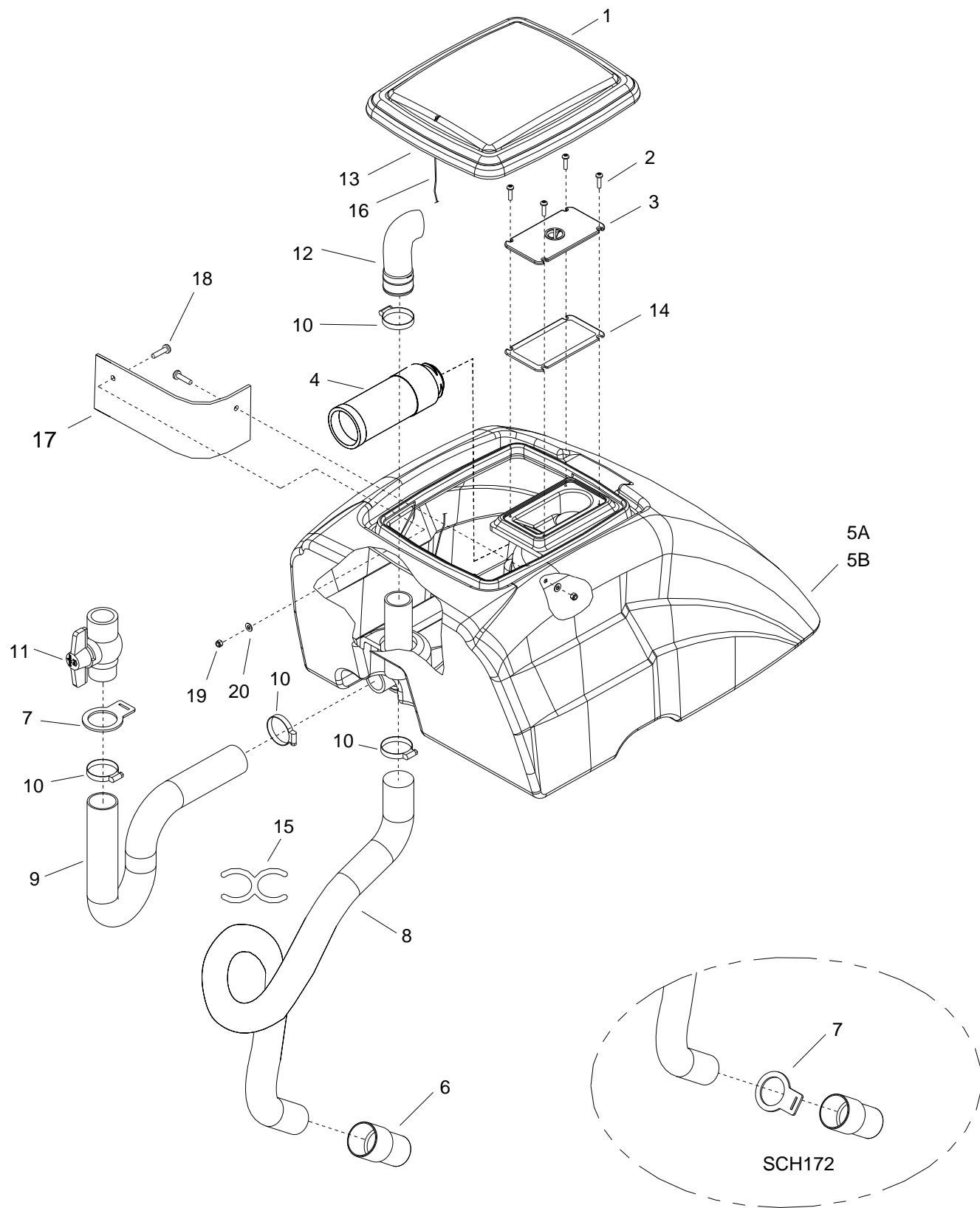
HANDLE



HANDLE

| REF | PART NO. | PRV NO. | QTY | DESCRIPTION | SERIAL NO. FROM | NOTES: |
|-----|----------|---------|-----|-------------------------------------|--------------------|-----------------------------------|
| 1 | 86218620 | 38349 | 1 | HANDLE, 17 IN SCRUBBER | | |
| 2 | 86004880 | 48079 | 2 | KNOB, 2.25 OD X 5/16-18 X 2.19 STUD | | ALL EXCEPT SCHC172 & SCH172 |
| 3 | 86221880 | 51416 | 2 | LOCK, HANDLE, MALE | | |
| 4 | 86221890 | 51417 | 2 | LOCK, HANDLE, FEMALE | | |
| 5 | 86069430 | 140439 | 2 | BRKT, HANDLE MOUNT SUPPORT | | |
| 6 | 86216530 | 270143 | 2 | CAP, HANDLE | | |
| 7 | 86277230 | 70815 | 2 | SCR, 5/16-18 X 2.25 BSHCS SS | | SCHC172, SCH172 ONLY |

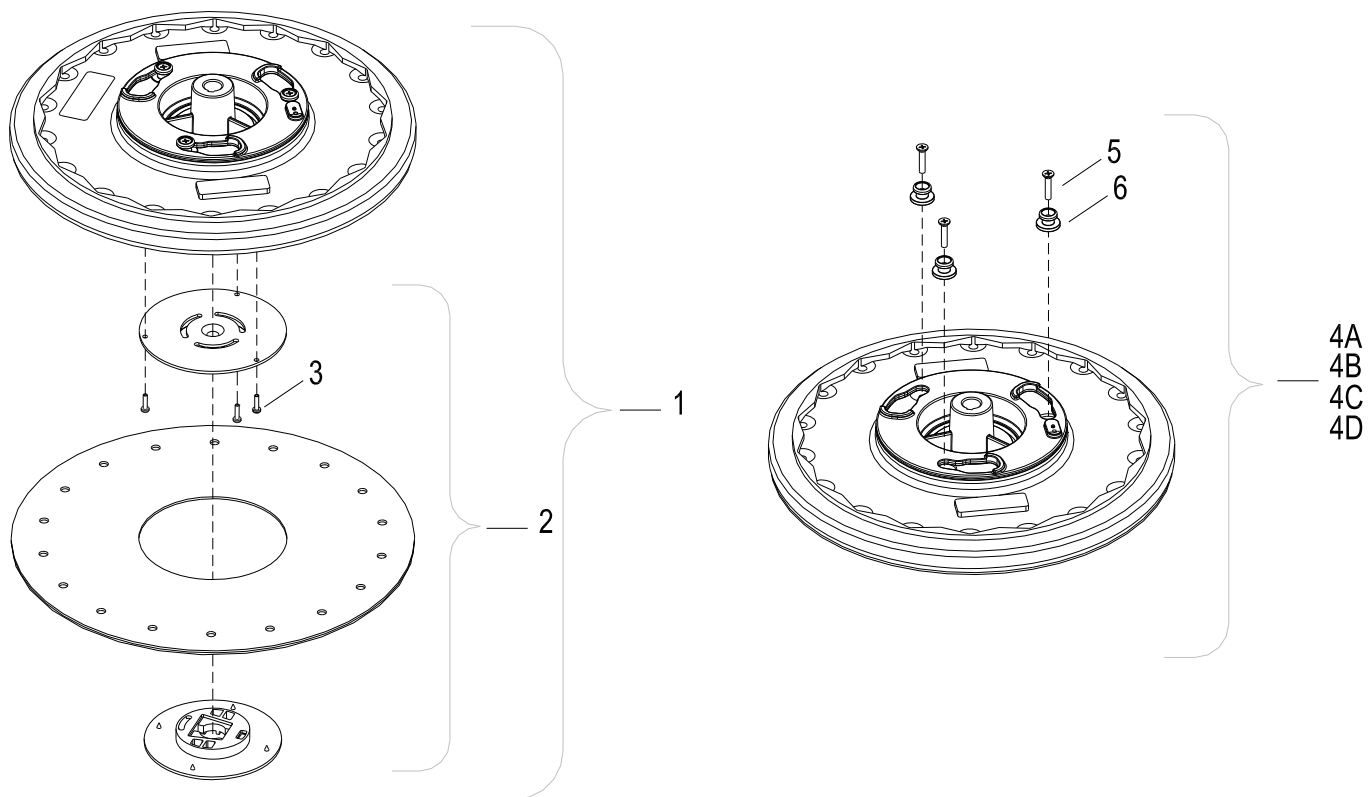
RECOVERY TANK



RECOVERY TANK

| REF | PART NO. | PRV NO. | QTY | DESCRIPTION | SERIAL NO. FROM | NOTES: |
|-----|----------|---------|-----|--------------------------------|--------------------|-------------------------------|
| 1 | 86003340 | 28062 | 1 | DOME, 13 X 11 | | |
| 2 | 86006600 | 70114 | 4 | SCR, #10 X 3/4 PPHST TYPE B SS | | |
| 3 | 86222860 | 620100 | 1 | PLATE, VAC INLET COVER | | |
| 4 | 86003680 | 34380 | 1 | FLOAT SHUT-OFF | | |
| 5A | 86225290 | 75476 | 1 | TANK, RECOVERY DK GRY | | ALL EXCEPT SCHC172, SCH172 |
| 5B | 86225280 | 75475 | 1 | TANK, RECOVERY, TEAL | | SCHC172, SCH172 |
| 6 | 86003010 | 27759 | 1 | CUFF, HOSE, 1.5 IN BLACK | | |
| 7 | 86246070 | 51352 | 1 | LANYARD, DRAIN HOSE | | SCH172, QSC172 – QTY OF 2 |
| 8 | 86004290 | 39491 | 1 | HOSE, 1.5 BLK VAC X 45" | | |
| 9 | 86004190 | 39337 | 1 | HOSE, 1.5 BLK VAC X 24" | | |
| 10 | 86002390 | 20063 | 4 | CLAMP, 1.75" WORM GEAR X .312 | | |
| 11 | 86225690 | 84204 | 1 | VALVE, 1.0 BALL PVC | | |
| 12 | 86240130 | 39560 | 1 | HOSE, P-TRAP 45 DEG | | |
| 13 | 86004010 | 35274 | 1 | GASKET, DOME EDGE | | |
| 14 | 86218100 | 35361 | 1 | GASKET, VAC INLET | | |
| 15 | 86216790 | 20109 | 1 | CLIP, VAC HOSE COIL | | |
| 16 | 86279880 | 27425 | 1 | CORD, 1/8" X 16" | | |
| 17 | 86215060 | 140967 | 1 | BAFFLE, AIR INTAKE | | |
| 18 | 86223820 | 70926 | 2 | SCR, 10-32 X .748 PPHMS SS C | | |
| 19 | 86222280 | 57307 | 2 | NUT, 10-32 HEX NYLOCK SS C | | |
| 20 | 86010650 | 87018 | 2 | WASHER, #10 X 9/16 OD | | |

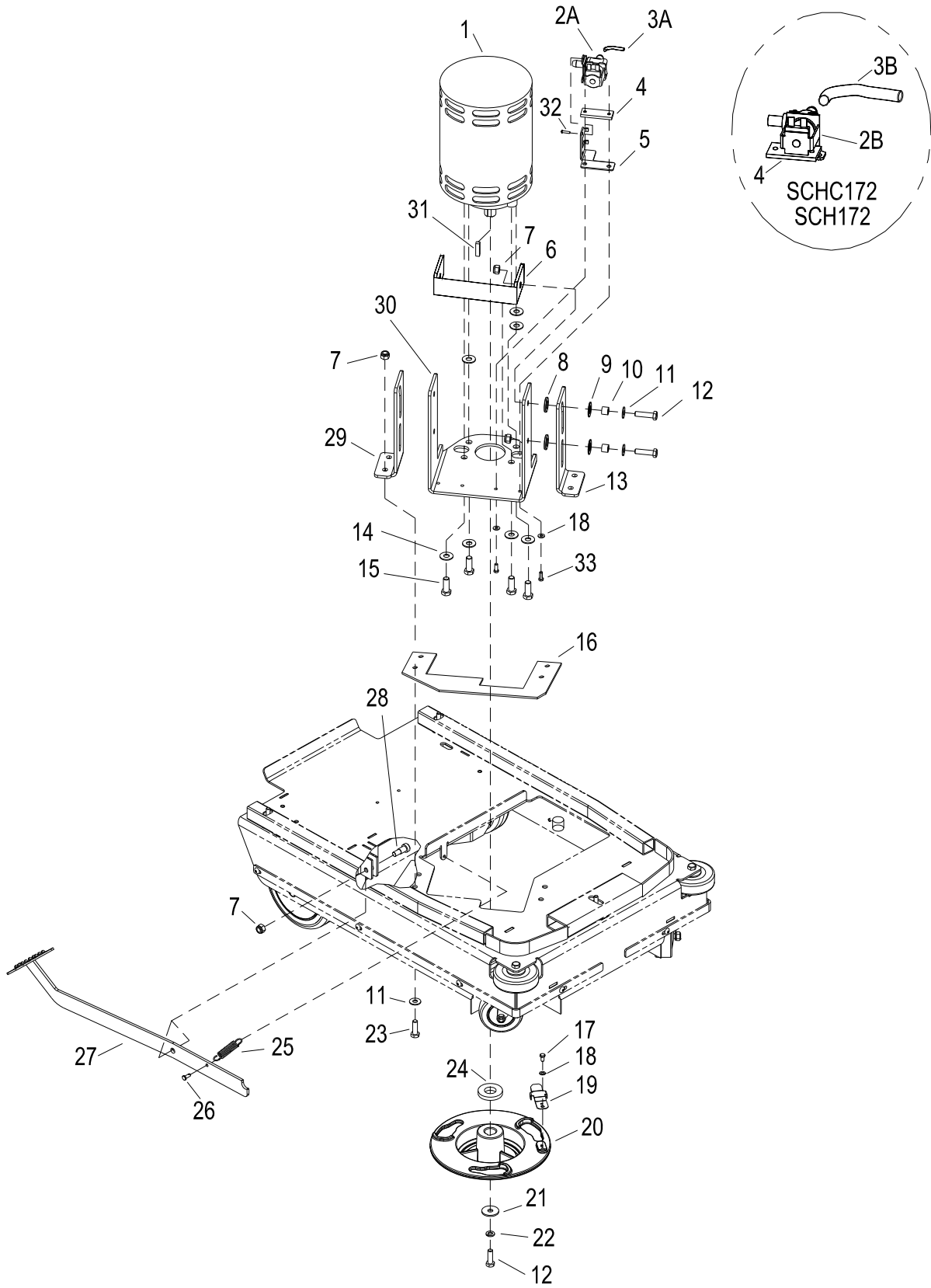
SCRUB BRUSH/PAD DRIVER



SCRUB BRUSH/PAD DRIVER

| REF | PART NO. | PRV NO. | QTY | DESCRIPTION | SERIAL NO. FROM | NOTES: |
|-----|----------|---------|-----|---------------------------------|--------------------|--------|
| 1 | 86000680 | 02464 | 1 | PAD DRIVER, 17" BA | | |
| 2 | 86005070 | 51284 | 1 | LOCK, PAD CENTER SNAP, TWO STEP | | |
| 3 | 86276580 | 70694 | 3 | SCR, 8-32 X 3/4 PTHMS SS | | |
| 4A | 86000650 | 02461 | - | BRUSH, 17" POLYPRO BA | | |
| 4B | 86000660 | 02462 | - | BRUSH, NYLON BA | | |
| 4C | 86000670 | 02463 | - | BRUSH, 17" GRIT BA | | |
| 4D | 86000700 | 02509 | - | BRUSH, NYLON UNTRIMMED | | |
| 5 | 86277160 | 70799 | 3 | SCR, 1/4-20 X 1.25 PFHMS PLTD | | |
| 6 | 86004990 | 51076 | 3 | LUG, BRUSH MOUNTING | | |

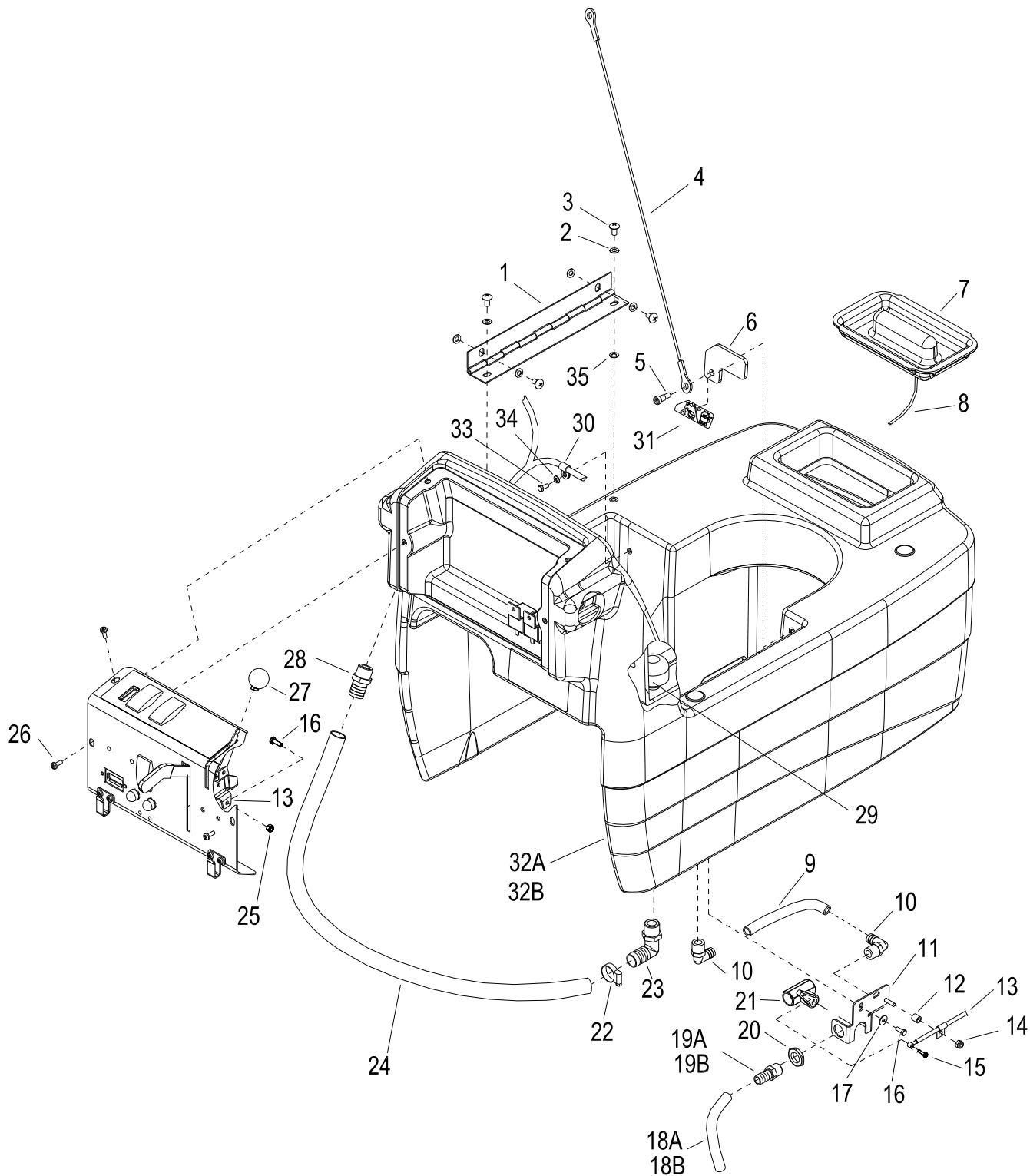
SCRUB MOTOR/LIFT



SCRUB MOTOR/LIFT

| REF | PART NO. | PRV NO. | QTY | DESCRIPTION | SERIAL NO. FROM | NOTES: |
|-----|----------|---------|-----|---------------------------------------|-----------------|----------------------------|
| 1 | 86005320 | 53630 | 1 | MOTOR ASM, 24VDC 200 RPM GEAR | | |
| 2A | 86010610 | 84203 | 1 | VALVE, 24VDC SOL 3/8 HOSE CIM | | ALL EXCEPT SCHC172, SCH172 |
| 2B | 86010540 | 84141 | 1 | VALVE, 24VDC SOL 1/2 HOSEBARB | | SCHC172, SCH172 |
| 3A | 86282080 | 39567 | 1 | HOSE 3/8 NYLOBRD X 3.5 | | ALL EXCEPT SCHC172, SCH172 |
| 3B | 82681470 | 39386 | 1 | HOSE, 1/2 VINYL X 4 | | SCHC172, SCH172 |
| 4 | 86082020 | 62878 | 1 | PLATE, SOLENOID MOUNT | | |
| 5 | 86215990 | 149987 | 1 | BRKT, SOLENOID VALVE 172 | | |
| 6 | 86070650 | 140711 | 1 | BRKT, MTR MNT STIFFENER | | |
| 7 | 86270830 | 57023 | 9 | NUT, 5/16-18 HEX NYLOCK SS | | |
| 8 | 86259400 | 87205 | 4 | WASHER, THRUST .51 ID X 1 OD BRO | | |
| 9 | 86259410 | 87206 | 4 | WASHER, THRUST .51 ID X 1 OD X .063 | | |
| 10 | 86231250 | 140430 | 4 | BUSHING, .5 OD X .31 ID X .4 L SS | | |
| 11 | 86010670 | 87029 | 8 | WASHER, 5-16 SS FLAT | | |
| 12 | 86007020 | 70673 | 5 | SCR, 5/16 -18 X 1.25 HHCS SS | | |
| 13 | 86072600 | 14431 | 1 | BRKT, MOTOR TRACK | | |
| 14 | 86278910 | 87003 | 7 | WASHER, 3/8 X 7/8 OD SS | | |
| 15 | 86006740 | 70266 | 4 | SCR, 3/8-16 X 1" HHCS GR5 | | |
| 16 | 86073580 | 620043 | 1 | BRKT, DECK STIFFENER | | |
| 17 | 86276800 | 70734 | 1 | SCR, 10-32 X 3/8 HHMS SS | | |
| 18 | 86010640 | 87016 | 3 | WASHER, #10 EXT STAR SS | | |
| 19 | 86224610 | 730359 | 1 | SPRING, BRUSH CLIP | | |
| 20 | 86003430 | 29237 | 1 | DRIVER, BRUSH ASSIST | | |
| 21 | 86279630 | 87212 | 1 | WASHER, .344 ID X 1.13 OD X .09 T PLT | | |
| 22 | 86279130 | 87083 | 1 | WASHER, 5/16 SPLIT LOCK PLTD | | |
| 23 | 86006560 | 70083 | 4 | SCR, 5/16-18 X 1HHCS SS | | |
| 24 | 86225820 | 87508 | 1 | WASHER, .78 ID X 1.63 OD X .197 PLT | | |
| 25 | 86007690 | 73240 | 1 | SPRING, EXT .50 OD X 2.25 L X .063 W | | |
| 26 | 86272340 | 66191 | 1 | PIN, CLEVIS 3/16 X .50 PLTD | | |
| 27 | 86221740 | 51414 | 1 | LEVER, MOTOR LIFT | | |
| 28 | 86278360 | 70731 | 1 | SHOULDER BOLT, 3/8 OD X 1/2L SS | | |
| 29 | 86072610 | 14432 | 1 | BRKT, MOTOR TRACK | | |
| 30 | 86072590 | 14430 | 1 | BRKT, MOTOR MOUNT | | |
| 31 | 86004810 | 48040 | 1 | KEY, 1/4 SQ X 1.00 | | |
| 32 | 86276730 | 70719 | 2 | SCR, M4 X 8MM LG PPHMS | | |
| 33 | 86276770 | 70726 | 2 | SCR, 10-24 X 5/8 HHMS SS | | |

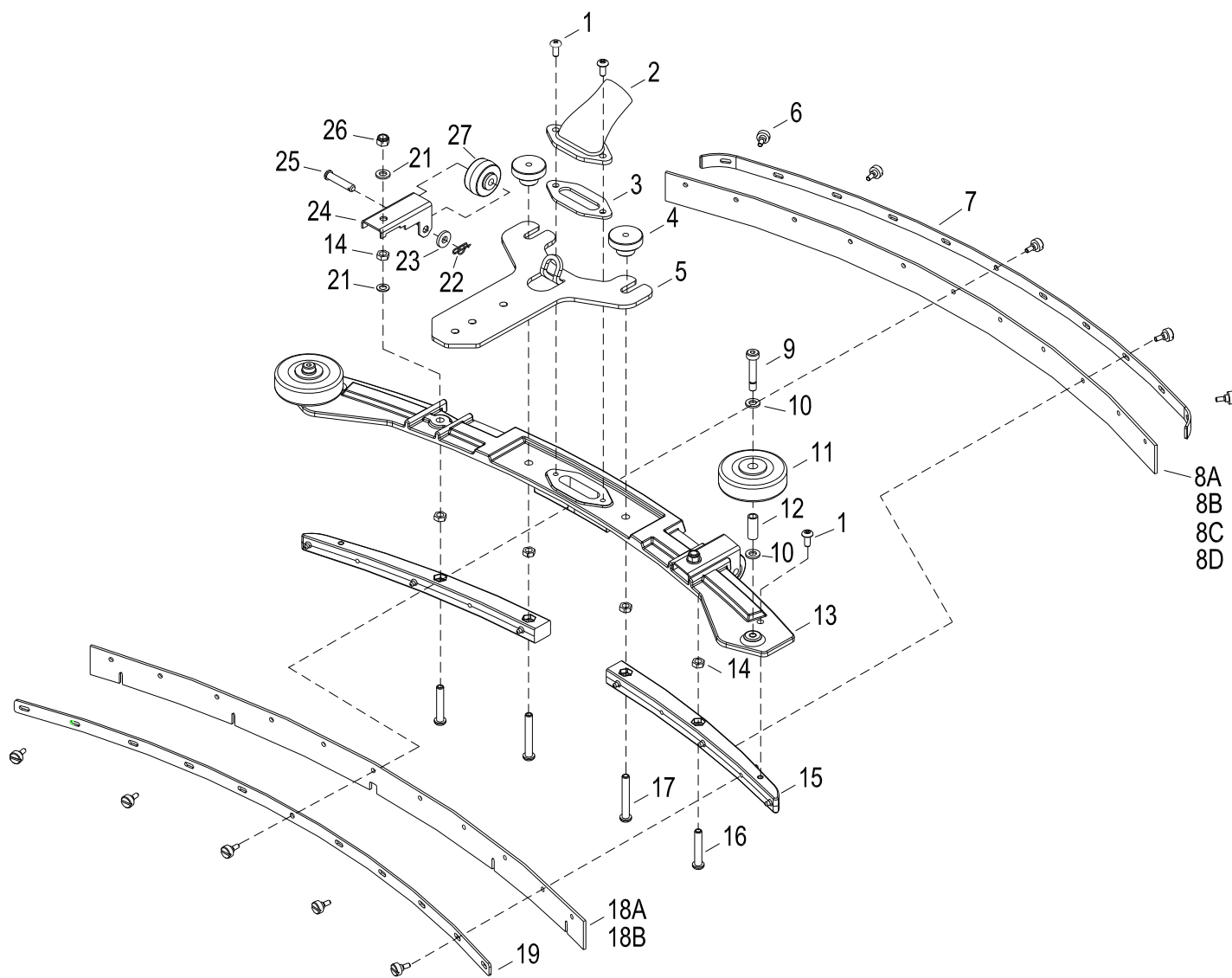
SOLUTION TANK



SOLUTION TANK

| REF | PART NO. | PRV NO. | QTY | DESCRIPTION | SERIAL NO. FROM | NOTES: |
|-----|----------|---------|-----|---|-----------------|----------------------------|
| 1 | 86239620 | 41385 | 1 | HINGE, 17 IN SCRUBBER | | |
| 2 | 86010660 | 87025 | 6 | WASHER, 1/4 LOCK EXT STAR SS | | |
| 3 | 86276700 | 70716 | 4 | SCR, 1/4-20 X 1/2 PTHMS | | |
| 4 | 86003210 | 27906 | 1 | CABLE, TANK LANYARD | | |
| 5 | 86278260 | 70298 | 2 | SHOULDER BOLT, 5/16 X 3/8 SSHLD | | |
| 6 | 86215820 | 140886 | 1 | BRKT, TANK SUPPORT | | |
| 7 | 86234790 | 27827 | 1 | COVER, SOLUTION TANK | | |
| 8 | 86279880 | 27425 | 1 | CORD, 1/8" X 16" | | |
| 9 | 86282110 | 39571 | 1 | HOSE, 1/2" ID WIRE BOUND X 5.5" | | |
| 10 | 86197940 | 40027 | 2 | HOSEBARB, 3/8 MPT X 1/2 90 D | | |
| 11 | 86069410 | 140406 | 1 | BRKT, VALVE MOUNT | | |
| 12 | 86224430 | 730375 | 1 | SPACER, .259 ID X 3/8 OD X .37 | | |
| 13 | 86221750 | 51418 | 1 | LEVER, SOLUTION CABLE | | |
| 14 | 86222280 | 57307 | 1 | NUT, 10-32 HEX NYLOCK SS | | |
| 15 | 86006860 | 70403 | 1 | SCR, #10 X 1/2 PPHST TYPE B | | |
| 16 | 86006980 | 70591 | 3 | SCR, 10-32 X 1/2 HHCS SS | | |
| 17 | 86010650 | 87018 | 1 | WASHER, #10 X 9/16 OD | | |
| 18A | 86282090 | 39569 | 1 | HOSE, 3/8" ID X .05 W CLR X 12" NYLOBRD | | ALL EXCEPT SCHC172, SCH172 |
| 18B | 86281640 | 39471 | 1 | HOSE, 1/2" VINYL X 15" NYLOBRD | | SCHC172, SCH172 |
| 19A | 86240430 | 40083 | 1 | HOSEBARB, 3/8 MPT X 3/8 NYLON | | ALL EXCEPT SCHC172, SCH172 |
| 19B | 86001590 | 40049 | 1 | HOSEBARB, 3/8 MPT X 1/2 NYLON | | SCHC172, SCH172 |
| 20 | 86248020 | 81380 | 1 | NUT, SEALED BULKHEAD | | |
| 21 | 86225680 | 84201 | 1 | VALVE, 3/8 FPT BALL | | |
| 22 | 86233110 | 20018 | 1 | CLAMP, 1.0 WORM GEAR | | |
| 23 | 86219160 | 40108 | 1 | HOSEBARB, 1/2 MPT X 3/4 90D | | |
| 24 | 86282100 | 39570 | 1 | HOSE, 3/4 ID X .12 W CL X 36 L | | |
| 25 | 86005640 | 57030 | 2 | NUT, 10-32 HEX NYLOCK | | |
| 26 | 86276820 | 70740 | 6 | SCR, 10-32 X 1/2 PPHMS BLK | | |
| 27 | 86242100 | 48083 | 1 | KNOB, SOLUTION LEVER | | |
| 28 | 86240810 | 830156 | 1 | HOSEBARB, 1/2 MPT X 3/4 | | |
| 29 | 86007350 | 730040 | 1 | STRAINER, 3/8" NPT 20 MESH | | |
| 30 | 86198450 | 20005 | 1 | CLAMP, 5/16 NYLON | | |
| 31 | 86221020 | 501102 | 1 | LABEL, VENT/DRAIN | | |
| 32A | 86032460 | 75324 | 1 | TANK, SOLUTION | | ALL EXCEPT HCC172 |
| 32B | 86032470 | 75329 | 1 | TANK, SOLUTION | | HCC172 |
| 33 | 86274290 | 70162 | 1 | SCR, 10-32 X 3/8 PPHMS SS | | |
| 34 | 86279190 | 87095 | 1 | WASHER, #10 FLAT PLTD | | |
| 35 | 86279790 | 87489 | 1 | WASHER, #10 X 9/16 OD | | |

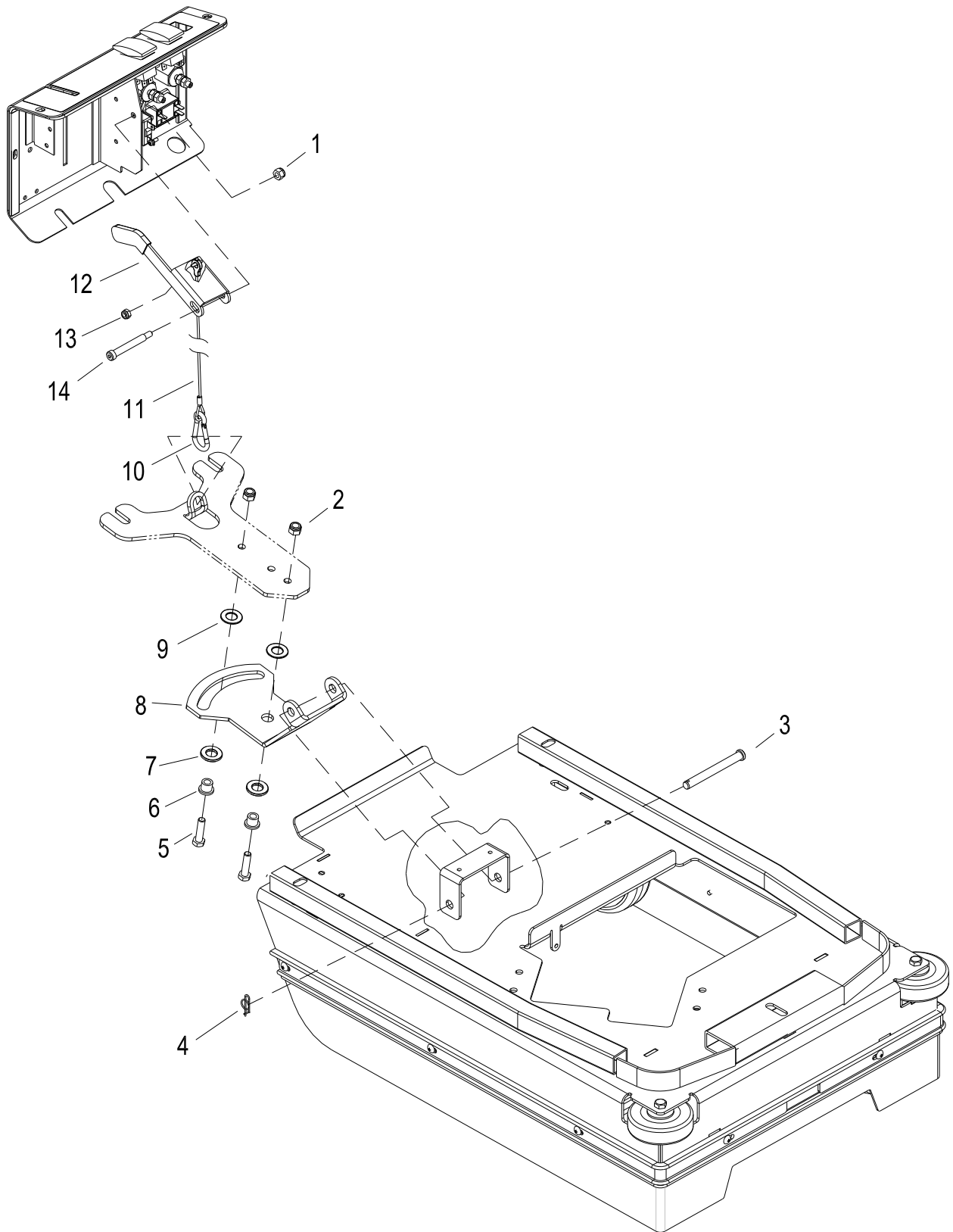
SQUEEGEE



SQUEEGEE

| REF | PART NO. | PRV NO. | QTY | DESCRIPTION | SERIAL NO. FROM | NOTES: |
|-----|----------|---------|-----|------------------------------------|-----------------|----------|
| 1 | 86223740 | 70872 | 4 | SCR, 1/4-20 X .59 PPHMS SS | | |
| 2 | 86225450 | 78936 | 1 | TUBE, 17 IN. TRANSITION | | |
| 3 | 86218050 | 35356 | 1 | GASKET, SQG TRANSITION | | |
| 4 | 86219690 | 48080 | 2 | KNOB, 1.5 OD X 5/16-18 | | |
| 5 | 86215800 | 140883 | 1 | BRKT, SQUEEGEE MOUNT | | |
| 6 | 86219730 | 48112 | 10 | KNOB, SQUEEGEE RETAINER | | |
| 7 | 86224950 | 730366 | 1 | STRAP, SQUEEGEE BLADE, REAR | | |
| 8A | 86215360 | 730372 | 1 | BLADE, SQUEEGEE, REAR | | |
| 8B | 86007370 | 730058 | 1 | BLADE, RED REAR SOFT DURO 40 | | OPTIONAL |
| 8C | 86007260 | 730003 | - | BLADE, BLU, RIB FRT/REAR URETHANE | | OPTIONAL |
| 8D | 86007610 | 730227 | - | BLADE, RED, REAR MEDIUM DURO 60 | | OPTIONAL |
| 9 | 86224240 | 70870 | 2 | SHOULDBE BLT, .305 OD X 1.77 SS | | |
| 10 | 86225790 | 87504 | 4 | WASHER, 5/16 X .63 SS | | |
| 11 | 86011020 | 89202 | 2 | WHEEL, 3" DIA CUSHION RUBBER | | |
| 12 | 86001350 | 140390 | 2 | BUSHING, SPANNER .435 X 1.10 | | |
| 13 | 86224820 | 730361 | 1 | SQUEEGEE, 17 IN | | |
| 14 | 86222300 | 57309 | 6 | NUT, 5/16-18 JAM SS | | |
| 15 | 86224840 | 730362 | 2 | SQUEEGEE, INSERT 17 IN | | |
| 16 | 86223750 | 70873 | 2 | SCR, 5/16-18 X 1.77 BHSMS SS | | |
| 17 | 86223760 | 70874 | 2 | SCR, 5/16-18 X 2.17 BHSMS SS | | |
| 18A | 86215350 | 730371 | 1 | BLADE, SQUEEGEE FRONT | | |
| 18B | 86007360 | 730057 | 1 | BLADE, RED FRONT 5 SLOT DURO 40 | | OPTIONAL |
| 19 | 86087870 | 730002 | 1 | STRAP, FRONT AND REAR STANDARD | | |
| 20 | OPEN | - | - | - | | |
| 21 | 86225780 | 87503 | 4 | WASHER, 5-16 X .55 SS | | |
| 22 | 86008660 | 80605 | 2 | COTTER, 5/16" RING | | |
| 23 | 86279650 | 87222 | 2 | WASHER, SEAL 5/16 X 3/4 OD SS | | |
| 24 | 86215810 | 140884 | 2 | BRKT, SQG WHEEL | | |
| 25 | 86222590 | 66876 | 2 | PIN, CLEVIS 5/16 1.469 C | | |
| 26 | 86222290 | 57308 | 2 | NUT, 5/16-18 HEX NYLOCK SS | | |
| 27 | 86010880 | 89058 | 2 | WHEEL, 1.5 OD X .31 ID X .75 W GRY | | |

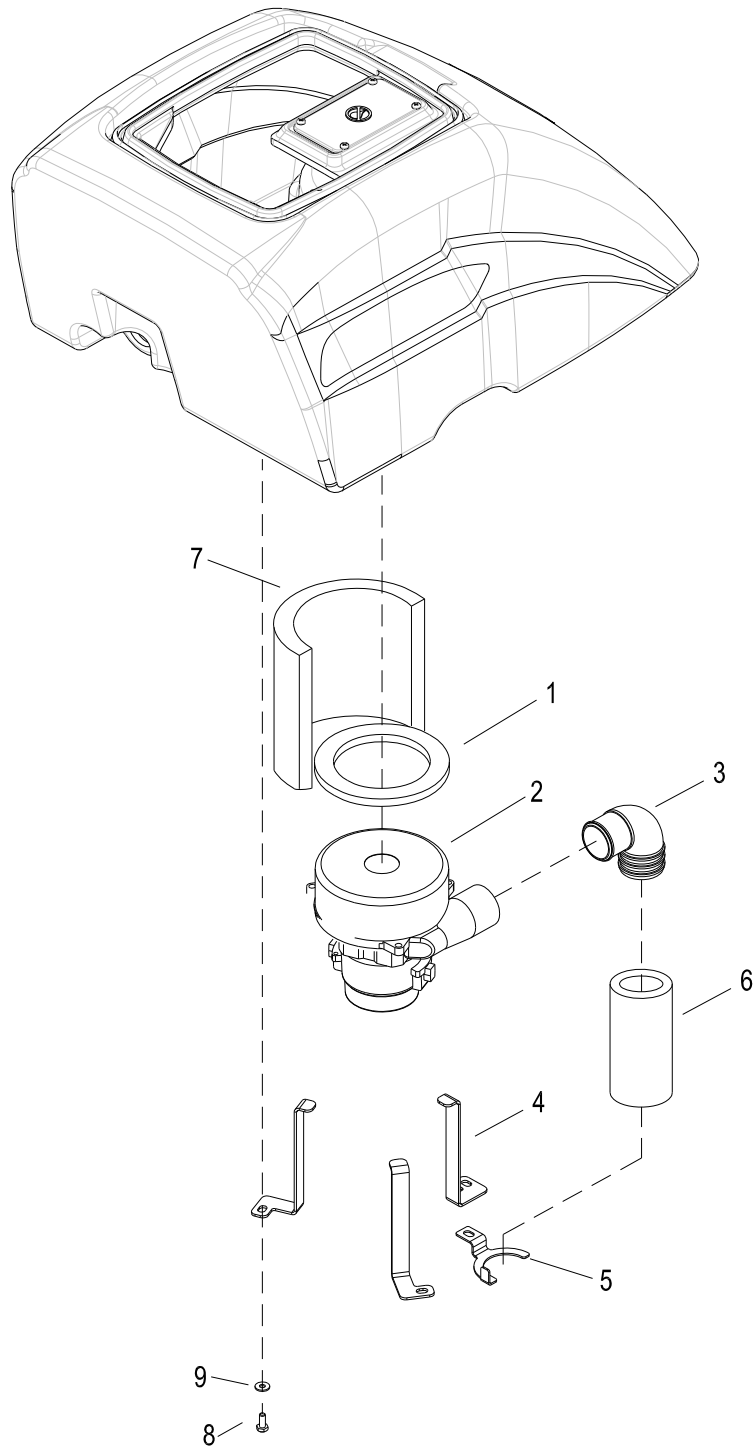
SQUEEGEE LIFT



SQUEEGEE LIFT

| REF | PART NO. | PRV NO. | QTY | DESCRIPTION | SERIAL NO. FROM | NOTES: |
|-----|----------|---------|-----|-------------------------------------|--------------------|--------|
| 1 | 86005680 | 57047 | 1 | NUT, 1/4-20 HEX NYLOCK | | |
| 2 | 86270830 | 57023 | 2 | NUT, 5/16-18 HEX NYLOCK SS | | |
| 3 | 86249050 | 82058 | 1 | PIN, CLEVIS 3/8 X 3.50 PLTD | | |
| 4 | 86008670 | 80606 | 1 | COTTER, 3/8" RING | | |
| 5 | 86007020 | 70673 | 2 | SCR, 5/16-18 X 1.25 HHCS SS | | |
| 6 | 86228840 | 09124 | 2 | BEARING, FLANGED .314 ID X .502 OD | | |
| 7 | 86259400 | 87205 | 2 | WASHER, THRUST .51 ID X 10 D BRO | | |
| 8 | 86006320 | 66338 | 1 | PLATE, SQUEEGEE LIFT | | |
| 9 | 86259410 | 87206 | 2 | WASHER, THRUST .51 ID X 1 OD X .063 | | |
| 10 | 86239670 | 41386 | 1 | HOOK, SAFTEY CLIP | | |
| 11 | 86003220 | 27921 | 1 | CABLE, SQUEEGEE LIFT 21.4 L | | |
| 12 | 86246460 | 51351 | 1 | LEVER, SQUEEGEE LIFT | | |
| 13 | 86005640 | 57030 | 1 | NUT, 10-32 HEX NYLOCK | | |
| 14 | 86136860 | 70356 | 1 | SHOULDER BOLT, 5/16 OD X 2.0 L | | |

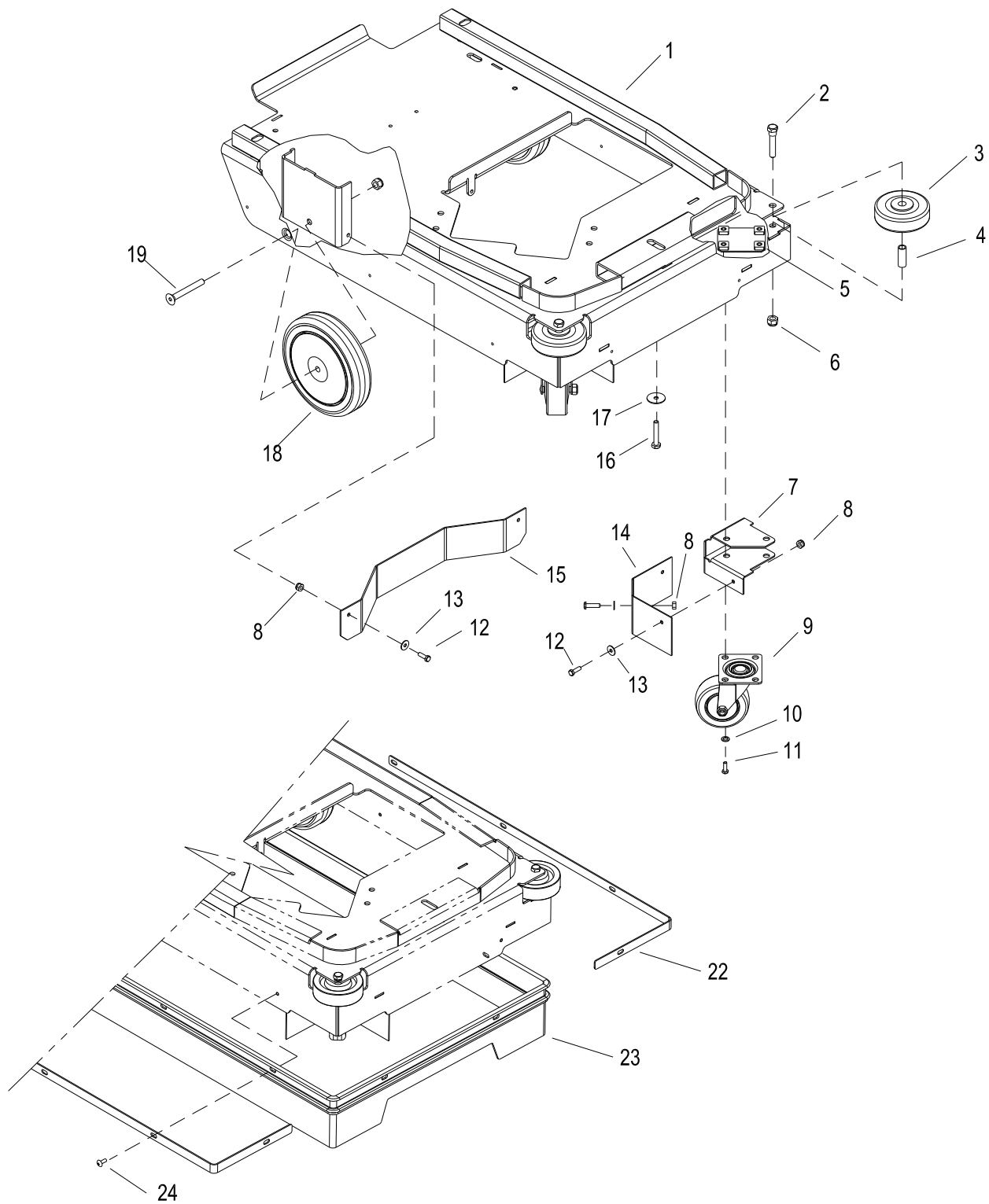
VACUUM



VACUUM

| REF | PART NO. | PRV NO. | QTY | DESCRIPTION | SERIAL NO. FROM | NOTES: |
|-----|----------|---------|-----|--------------------------------|--------------------|--------------|
| 1 | 86003760 | 35166 | 1 | GASKET, VAC MTR | | |
| 2A | 86005440 | 53797 | 1 | VAC MOTOR, 24VDC 2ST TD | | |
| 2B | 86135310 | 140686 | - | BRUSH SET, 24/36V VAC, WINDSOR | | SERVICE ONLY |
| 3 | 86217750 | 31374 | 1 | ELBOW, VAC MUFFLER 90 DEG | | |
| 4 | 86072620 | 14433 | 3 | BRKT, VAC MOTOR MNT | | |
| 5 | 86216000 | 149988 | 1 | BRKT, MUFFLER 172 | | |
| 6 | 86222220 | 54204 | 1 | MUFFLER, VACUUM FOAM 172 | | |
| 7 | 86215370 | 140896 | 1 | BLANKET, SOUND REDUCTION | | |
| 8 | 86273750 | 70011 | 3 | SCR, 1/4-20 X 5/8 HHCS SS NP | | |
| 9 | 86010630 | 87013 | 3 | WASHER, 1/4 ID X 5/8 OD SS | | |

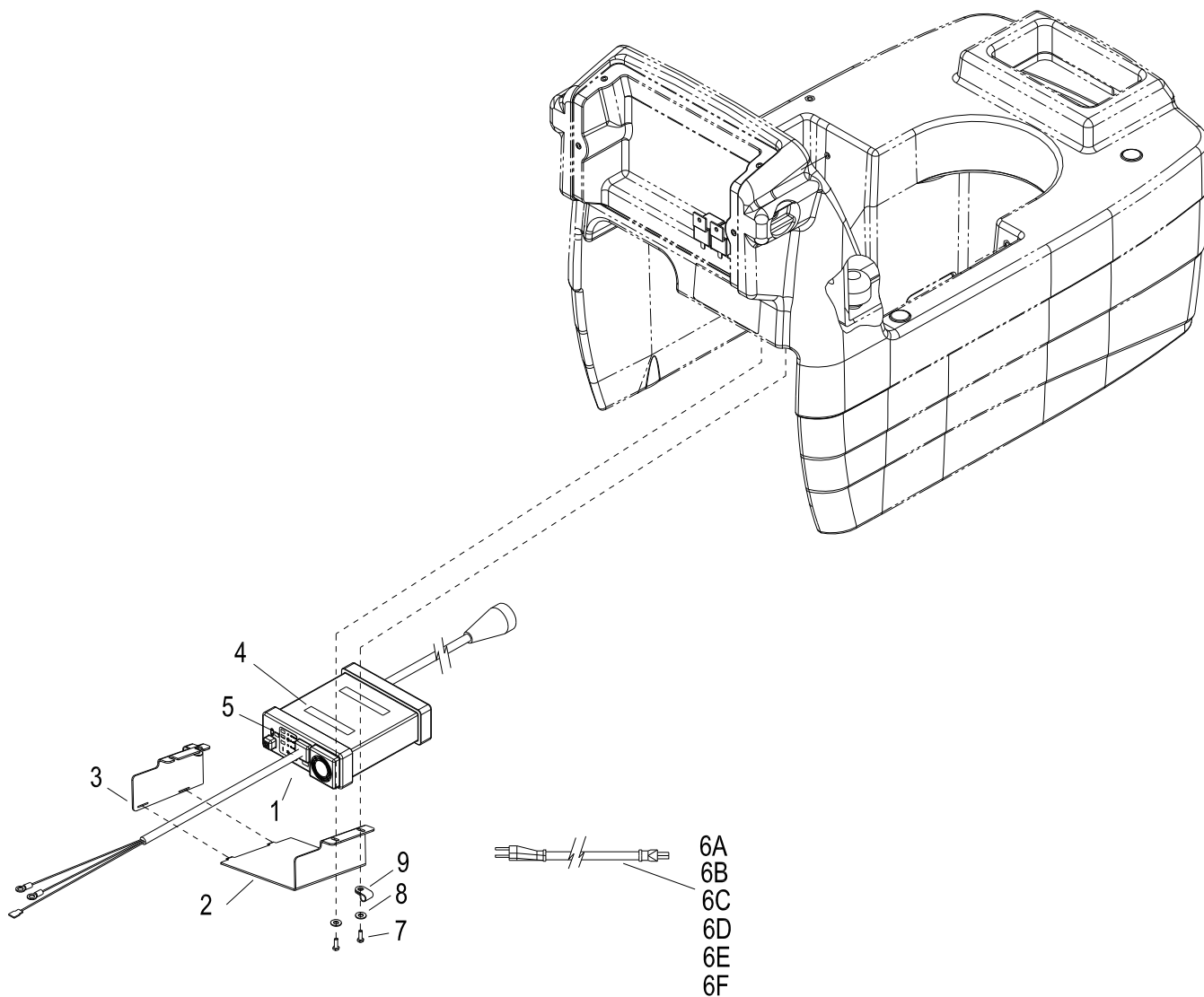
WHEEL & FRAME



WHEEL & FRAME

| REF | PART NO. | PRV NO. | QTY | DESCRIPTION | SERIAL NO. FROM | NOTES: |
|-----|----------|---------|-----|----------------------------------|--------------------|--------|
| 1 | 86003700 | 34421 | 1 | FRAME, 17 IN SCRUBBER | | |
| 2 | 86223770 | 70875 | 2 | SCR, 5/16-18 X 1.89 HHCS SS C | | |
| 3 | 86011020 | 89202 | 2 | WHEEL, 3" DIA CUSHION RUBBER | | |
| 4 | 86216400 | 140903 | 2 | BUSHING, SPANNER .435 X 1.19 | | |
| 5 | 86078910 | 620029 | 2 | PLATE, CASTER MOUNT | | |
| 6 | 86270830 | 57023 | 4 | NUT, 5/16-18 HEX NYLOCK SS | | |
| 7 | 86070600 | 140692 | 2 | BRKT, SPLASH GUARD | | |
| 8 | 86271770 | 57252 | 8 | NUT, 10-24 HEX NYLOCK SS | | |
| 9 | 86002340 | 18045 | 2 | CASTER, 3.0 SWIVEL | | |
| 10 | 86279130 | 87083 | 8 | WASHER, 5/16 SPLIT LOCK PLTD | | |
| 11 | 86006560 | 70083 | 8 | SCR, 5/16-18 X 1 HHCS SS NP | | |
| 12 | 86276770 | 70726 | 8 | SCR, 10-24 X 5/8 HHMS SS | | |
| 13 | 86010650 | 87018 | 8 | WASHER, #10 X 9/16 OD | | |
| 14 | 86253870 | 730043 | 2 | SKIRT, CASTER SHIELD | | |
| 15 | 86082060 | 62893 | 1 | PLATE, BRUSH CENTER | | |
| 16 | 86273740 | 70010 | 3 | SCR, 1/4-20 X 1.2 HHCS SS | | |
| 17 | 86010810 | 87191 | 3 | WASHER, 1/4" ID X 1.0 OD FLAT SS | | |
| 18 | 86259870 | 89223 | 2 | WHEEL, 1.25 TREAD X 6 DIA | | |
| 19 | 86276750 | 70722 | 2 | SCR, 5/16-18 X 2.5 FHSC SS | | |
| 20 | OPEN | - | - | - | | |
| 21 | OPEN | - | - | - | | |
| 22 | 86087880 | 730035 | 2 | STRAP, SKIRT SIDE | | |
| 23 | 86007320 | 730029 | 1 | SKIRT, 17" SCRUBBER | | |
| 24 | 86276620 | 70699 | 8 | SCR, 10-24 X 1/2 PTHMS SS | | |

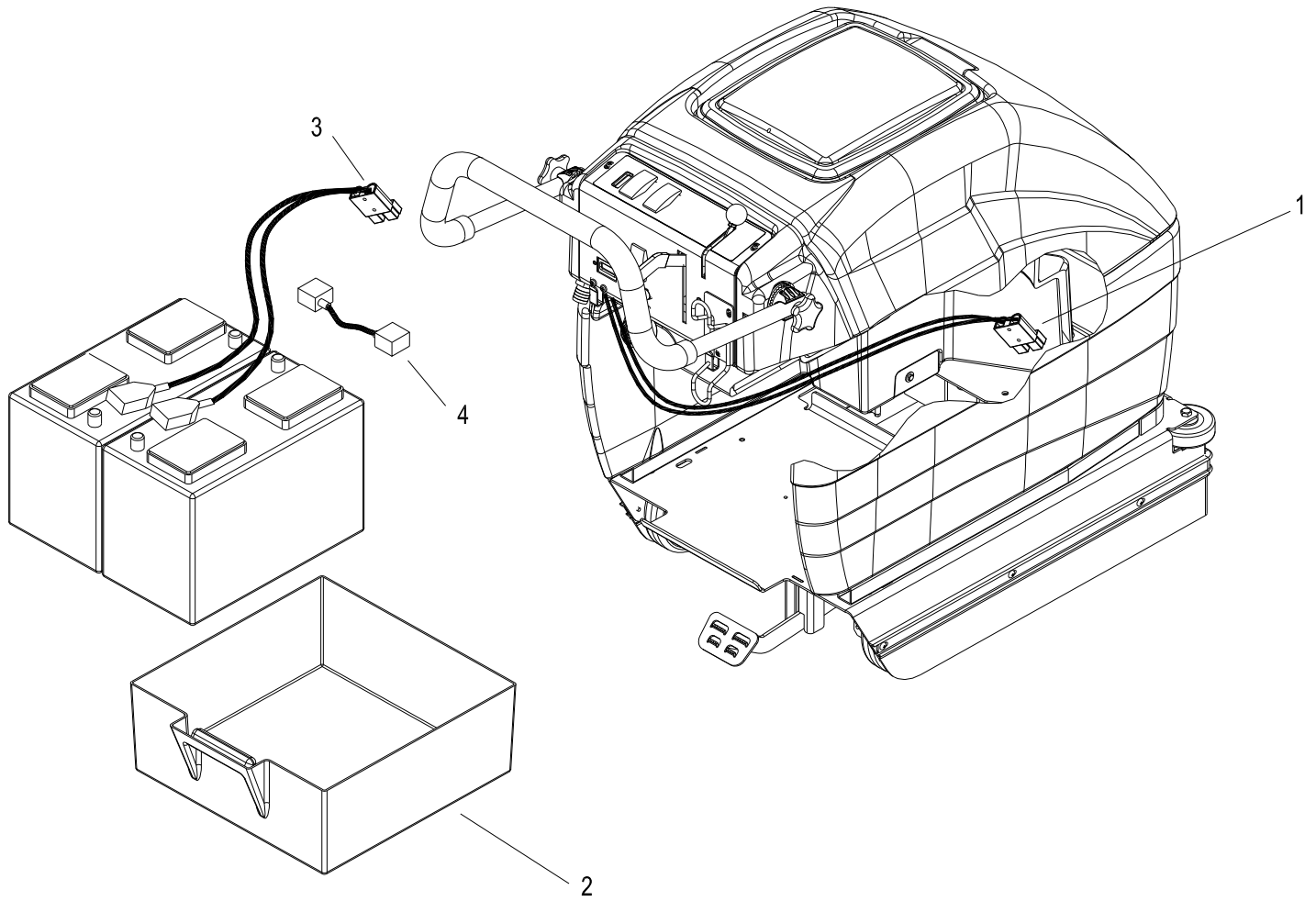
ONBOARD CHARGER



ONBOARD CHARGER

| REF | PART NO. | PRV NO. | QTY | DESCRIPTION | SERIAL NO. FROM | NOTES: |
|-----|----------|---------|-----|------------------------------|-----------------|--|
| 1 | 86216670 | 270051 | 1 | CHARGER, CURTIS 1208FS MOD | | |
| 2 | 86215790 | 140880 | 1 | BRKT, 17 IN CHARGER | | |
| 3 | 86215780 | 140879 | 1 | BRKT, TOP 17 IN CHARGER | | |
| 4 | 86218060 | 35357 | 2 | GASKET, 4.25 L X .55 W X .38 | | |
| 5 | 86220720 | 501033 | 1 | LABEL, CHARGER 1608FS | | SERVICE ONLY |
| 6A | 86234390 | 23725 | 1 | CORD ASM, 16/3 SJTW X 2M IEC | | THAILAND, TAIWAN, US SERVICE PART |
| 6B | 86217090 | 23726 | 1 | CORD ASM, 16/3 AUST X IEC | | AUSTRALIA, CHINA SERVICE PART |
| 6C | 86217100 | 23727 | 1 | CORD ASM, 16/3 UK X IEC | | MALAYSIA, HONG KONG, SINGAPORE, UK SERVICE PART |
| 6D | 86217110 | 23728 | 1 | CORD ASM, 16/3 EURO X IEC | | INDONESIA, KOREA, EURO SERVICE PART |
| 6E | 86217130 | 23730 | 1 | CORD ASM, 18/3 SWISS X IEC | | SWISS SERVICE PART |
| 6F | 86017340 | 23731 | 1 | CORD ASM, 16/3 INDIA X IEC | | INDIA SERVICE PART |
| 7 | 86274290 | 70162 | 4 | SCR, 10-32 X 3/8 PPHMS SS | | |
| 8 | 86279190 | 87095 | 4 | WASHER, #10 FLAT PLTD | | |
| 9 | 86198450 | 20005 | 1 | CLAMP, 5/16 NYLON | | |

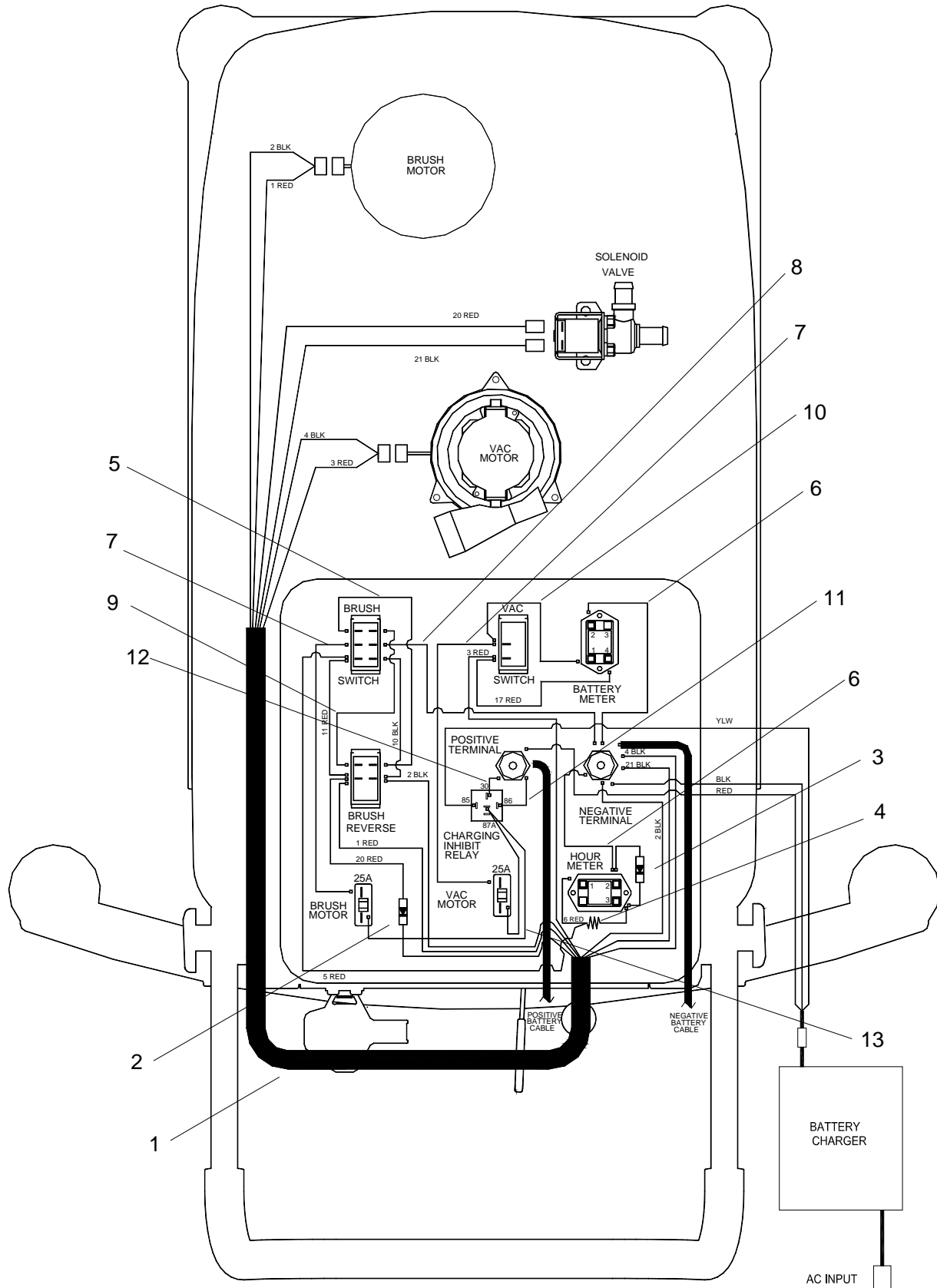
WIRING-BATTERY CABLES



WIRING-BATTERY CABLES

| REF | PART NO. | PRV NO. | QTY | DESCRIPTION | SERIAL NO. FROM | NOTES: |
|-----|----------|---------|-----|----------------------------------|--------------------|--------|
| 1 | 86260470 | 880268 | 1 | WIRE ASM, 26.5 6G RNG X C TERM | | |
| 2 | 86225330 | 78942 | 1 | TRAY, BATTERY INJ MOLDED | | |
| 3 | 86002540 | 23174 | 1 | BATTERY CBL ASM, 2 X 21 W/ANDRSN | | |
| 4 | 86002510 | 23125 | 1 | WIRE, 4 X 15 B CLAMP X B CLAMP | | |

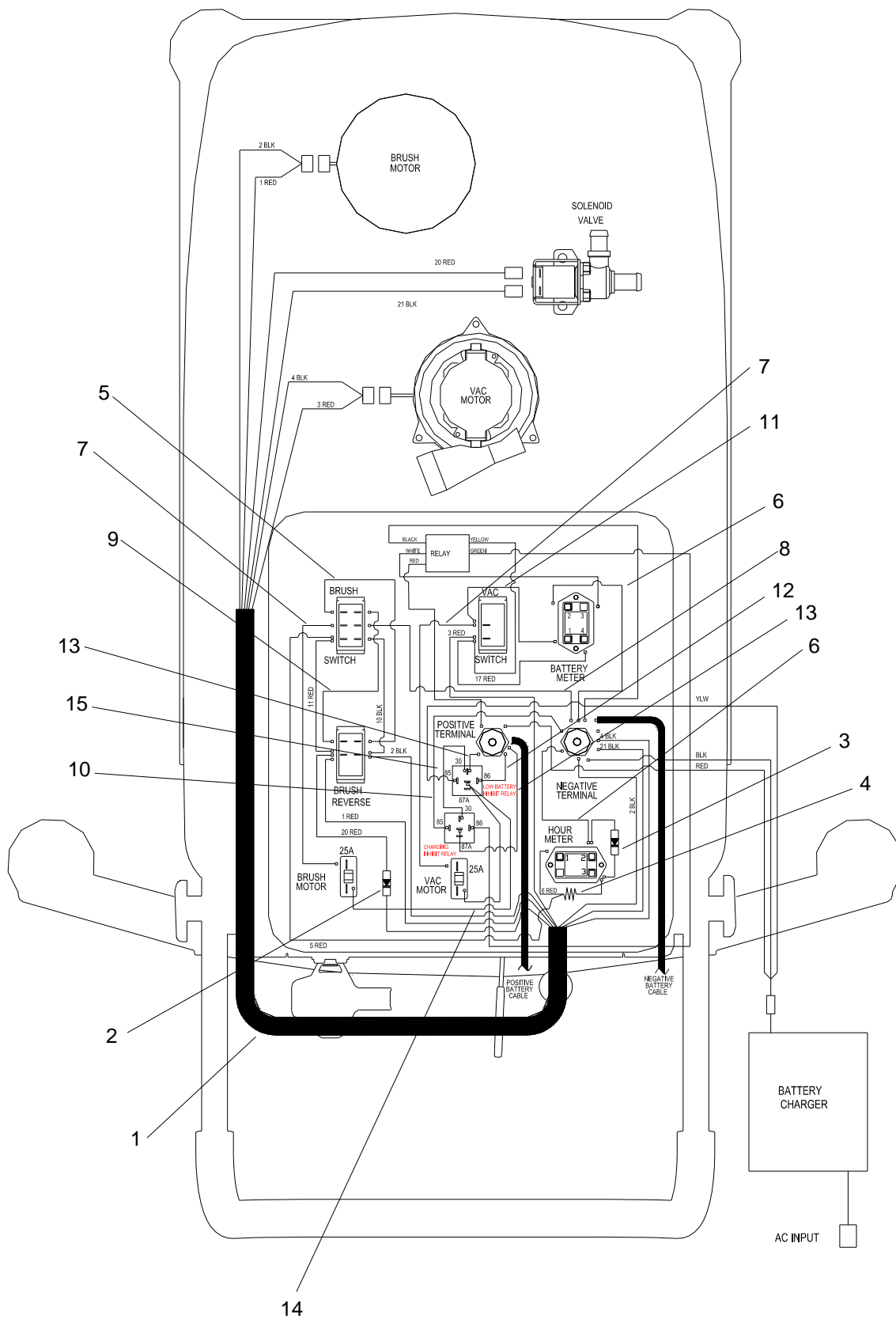
WIRING-MAIN HARNESS- ALL EXCEPT QSC172, SCHC172 & SCH172



WIRING-MAIN HARNESS-ALL EXCEPT QSC172, SCHC172 & SCH172

| REF | PART NO. | PRV NO. | QTY | DESCRIPTION | SERIAL NO. FROM | NOTES: |
|-----|----------|---------|-----|----------------------------------|--------------------|--------|
| 1 | 86218890 | 880448 | 1 | HARNESS, SCRUBBER 172 | | |
| 2 | 86261230 | 29242 | 1 | DIODE ASM, 76031 X 76042 | | |
| 3 | 86261240 | 29243 | 1 | DIODE ASM, 76031 X 76031 | | |
| 4 | 86261340 | 67457 | 1 | RESISTOR ASM, 2.7K OHM 1 WATT | | |
| 5 | 86268570 | 88401 | 1 | WIRE, 3" BLK/14 76029 X 76029 | | |
| 6 | 86267420 | 880283 | 2 | WIRE, 3.5 BLK/18 76011 X 76040 | | |
| 7 | 86267410 | 880282 | 2 | WIRE, 6" RED/14 76010 X 76029 | | |
| 8 | 86267620 | 880306 | 1 | WIRE, 5.5 BLK/14 76001 X 76029 | | |
| 9 | 86268380 | 88286 | 1 | WIRE, 4" RED/14 76029 X 76029 | | |
| 10 | 86226170 | 880447 | 1 | WIRE, 5" RED/18 76031 X 76047 | | |
| 11 | 86226190 | 880450 | 1 | WIRE, 11.5" RED/14 76001 X 76029 | | |
| 12 | 86268030 | 880456 | 1 | WIRE, 14" RED/10 76081 X 76064 | | |
| 13 | 86226210 | 880457 | 1 | WIRE, 9" RED/12 76064 X 76076 | | |

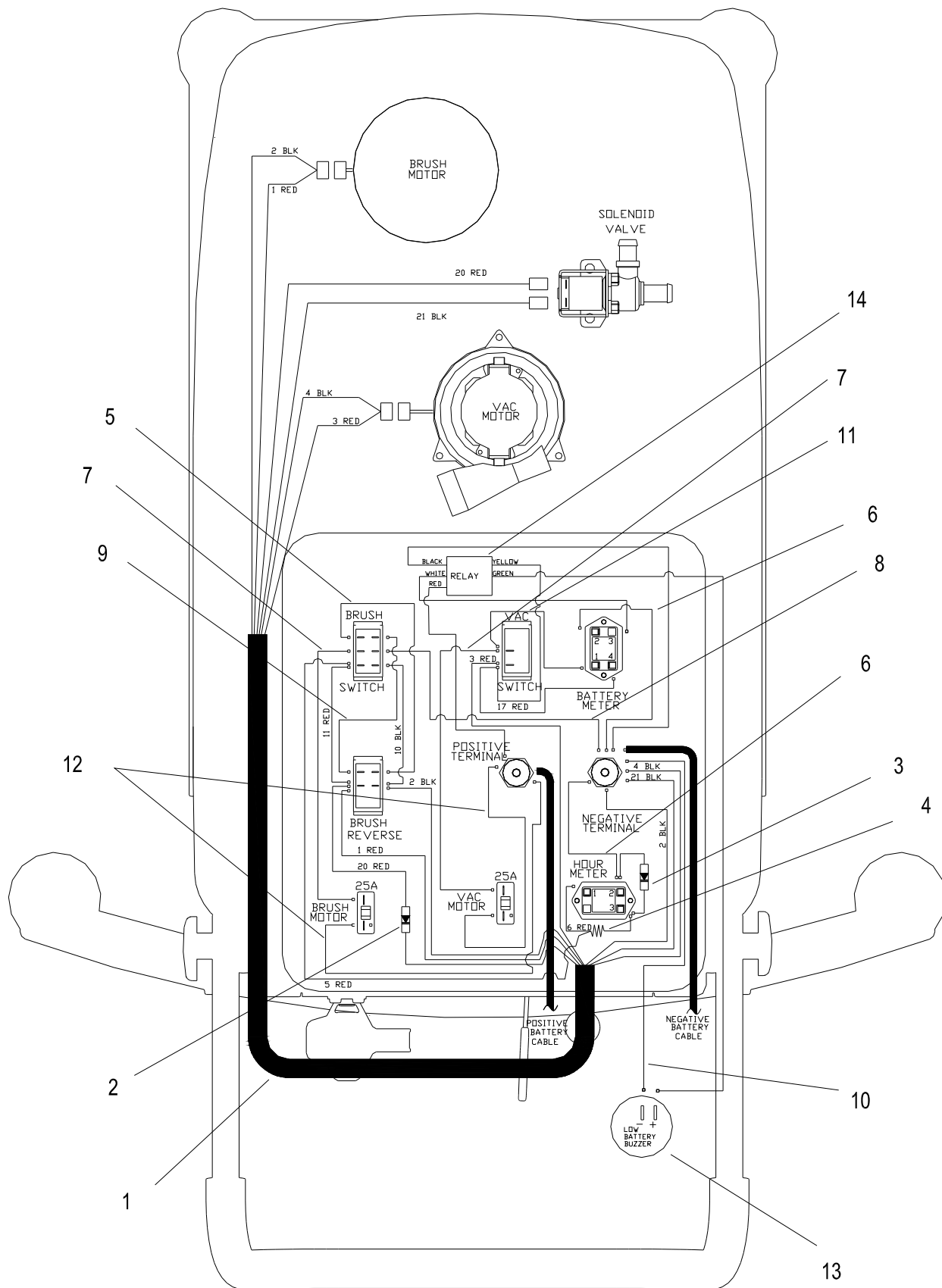
WIRING-MAIN HARNESS-SCHC172



WIRING-MAIN HARNESS-SCHC172

| REF | PART NO. | PRV NO. | QTY | DESCRIPTION | SERIAL NO. FROM | NOTES: |
|-----|----------|---------|-----|----------------------------------|--------------------|--------|
| 1 | 86218890 | 880448 | 1 | HARNESS, SCRUBBER 172 | | |
| 2 | 86261230 | 29242 | 1 | DIODE ASM, 76031 X 76042 | | |
| 3 | 86261240 | 29243 | 1 | DIODE ASM, 76031 X 76031 | | |
| 4 | 86261340 | 67457 | 1 | RESISTOR ASM, 2.7K OHM 1 WATT | | |
| 5 | 86268570 | 88401 | 1 | WIRE, 3" BLK/14 76029 X 76029 | | |
| 6 | 86267420 | 880283 | 2 | WIRE, 3.5 BLK/18 76011 X 76040 | | |
| 7 | 86267410 | 880282 | 2 | WIRE, 6" RED/14 76010 X 76029 | | |
| 8 | 86267620 | 880306 | 1 | WIRE, 5.5 BLK/14 76001 X 76029 | | |
| 9 | 86268380 | 88286 | 1 | WIRE, 4" RED/14 76029 X 76029 | | |
| 10 | 86267360 | 880271 | 1 | WIRE, 14" BLK/18 76011 X 76040 | | |
| 11 | 86226170 | 880447 | 1 | WIRE, 5" RED/18 76031 X 76047 | | |
| 12 | 86226190 | 880450 | 1 | WIRE, 11.5" RED/14 76001 X 76029 | | |
| 13 | 86268030 | 880456 | 2 | WIRE, 14" RED/10 76081 X 76064 | | |
| 14 | 86226210 | 880457 | 1 | WIRE, 9" RED/12 76064 X 76076 | | |
| 15 | 86014120 | - | 1 | WIRE, 6" RED/10 76064 X 76064 | | |

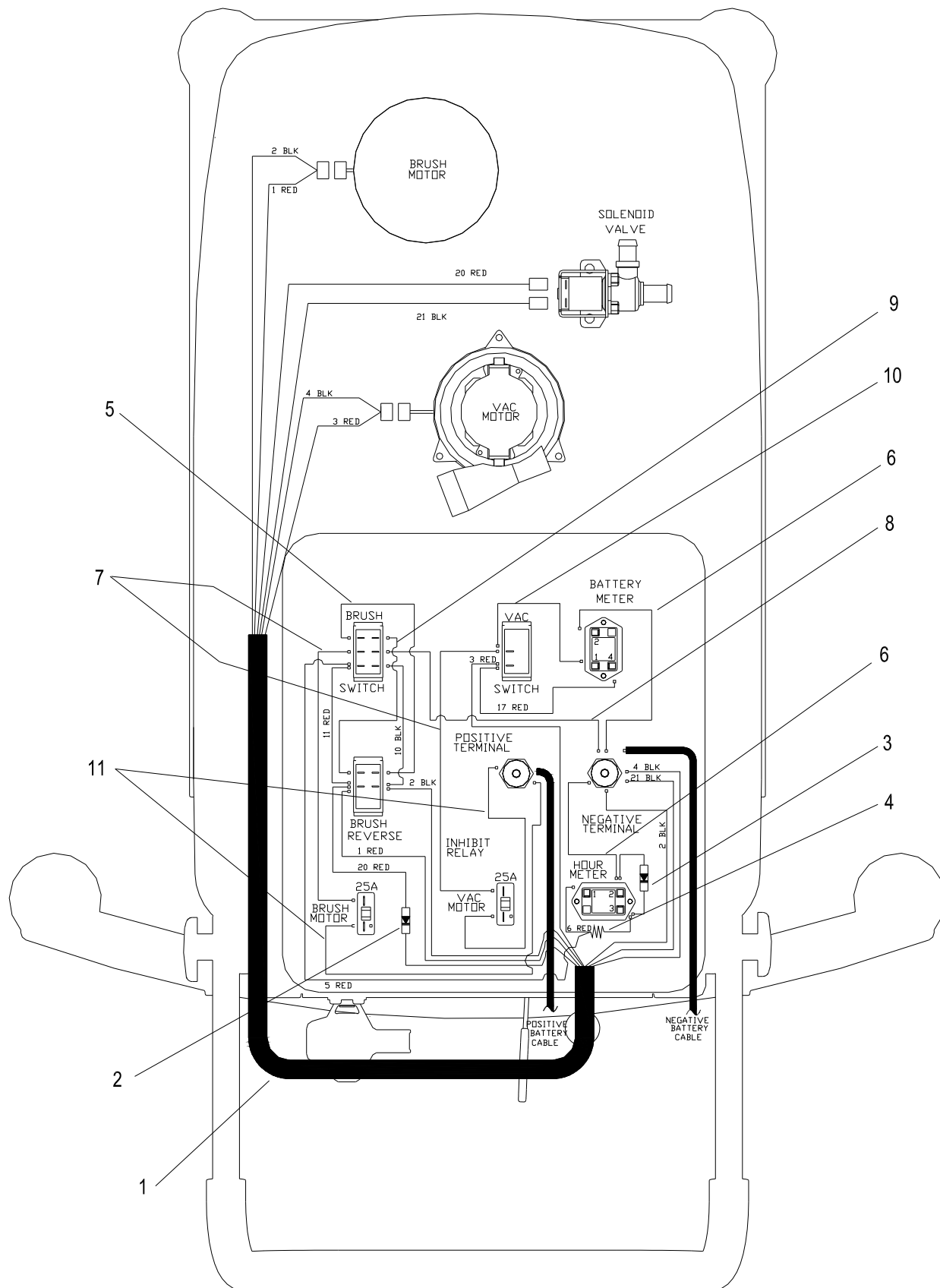
WIRING-MAIN HARNESS-SCH172



WIRING-MAIN HARNESS-SCH172

| REF | PART NO. | PRV NO. | QTY | DESCRIPTION | SERIAL NO. FROM | NOTES: |
|-----|----------|---------|-----|--------------------------------|--------------------|--------|
| 1 | 86218890 | 880448 | 1 | HARNESS, SCRUBBER 172 | | |
| 2 | 86261230 | 29242 | 1 | DIODE ASM, 76031 X 76042 | | |
| 3 | 86261240 | 29243 | 1 | DIODE ASM, 76031 X 76031 | | |
| 4 | 86261340 | 67457 | 1 | RESISTOR ASM, 2.7K OHM 1 WATT | | |
| 5 | 86268570 | 88401 | 1 | WIRE, 3" BLK/14 76029 X 76029 | | |
| 6 | 86267420 | 880283 | 2 | WIRE, 3.5 BLK/18 76011 X 76040 | | |
| 7 | 86267410 | 880282 | 2 | WIRE, 6" RED/14 76010 X 76029 | | |
| 8 | 86267620 | 880306 | 1 | WIRE, 5.5 BLK/14 76001 X 76029 | | |
| 9 | 86268380 | 88286 | 1 | WIRE, 4" RED/14 76029 X 76029 | | |
| 10 | 86267360 | 880271 | 1 | WIRE, 14" BLK/18 76011 X 76040 | | |
| 11 | 86226170 | 880447 | 1 | WIRE, 5" RED/18 76031 X 76047 | | |
| 12 | 86267430 | 880284 | 1 | WIRE, 4.5 RED/14 76001 X 76029 | | |
| 13 | 86231500 | 80882 | 1 | BUZZER, PIEZO 6-28VDC | | |
| 14 | 86251400 | 67495 | 1 | RELAY, BATTERY METER OUTPUT | | |

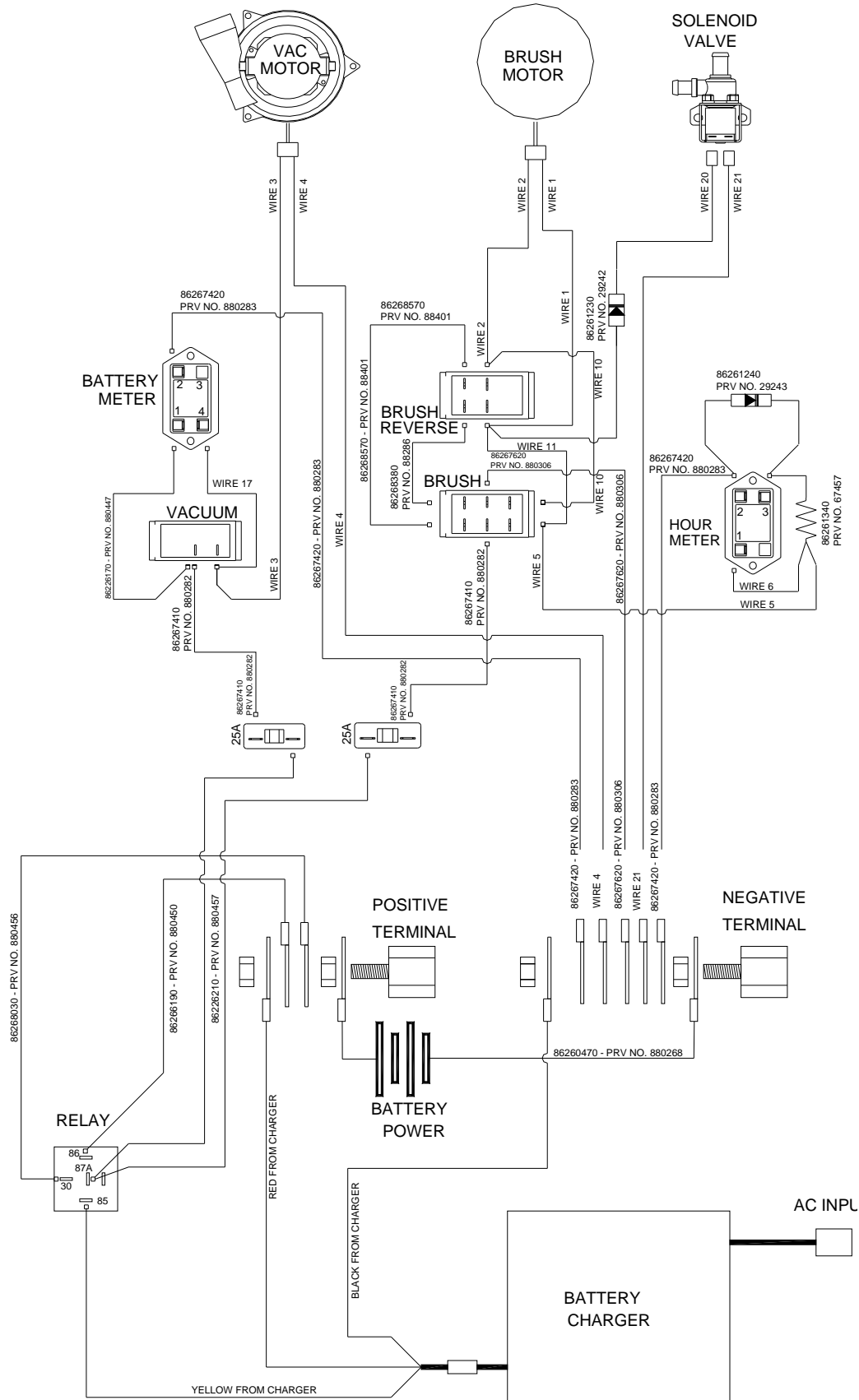
WIRING-MAIN HARNESS-QSC172



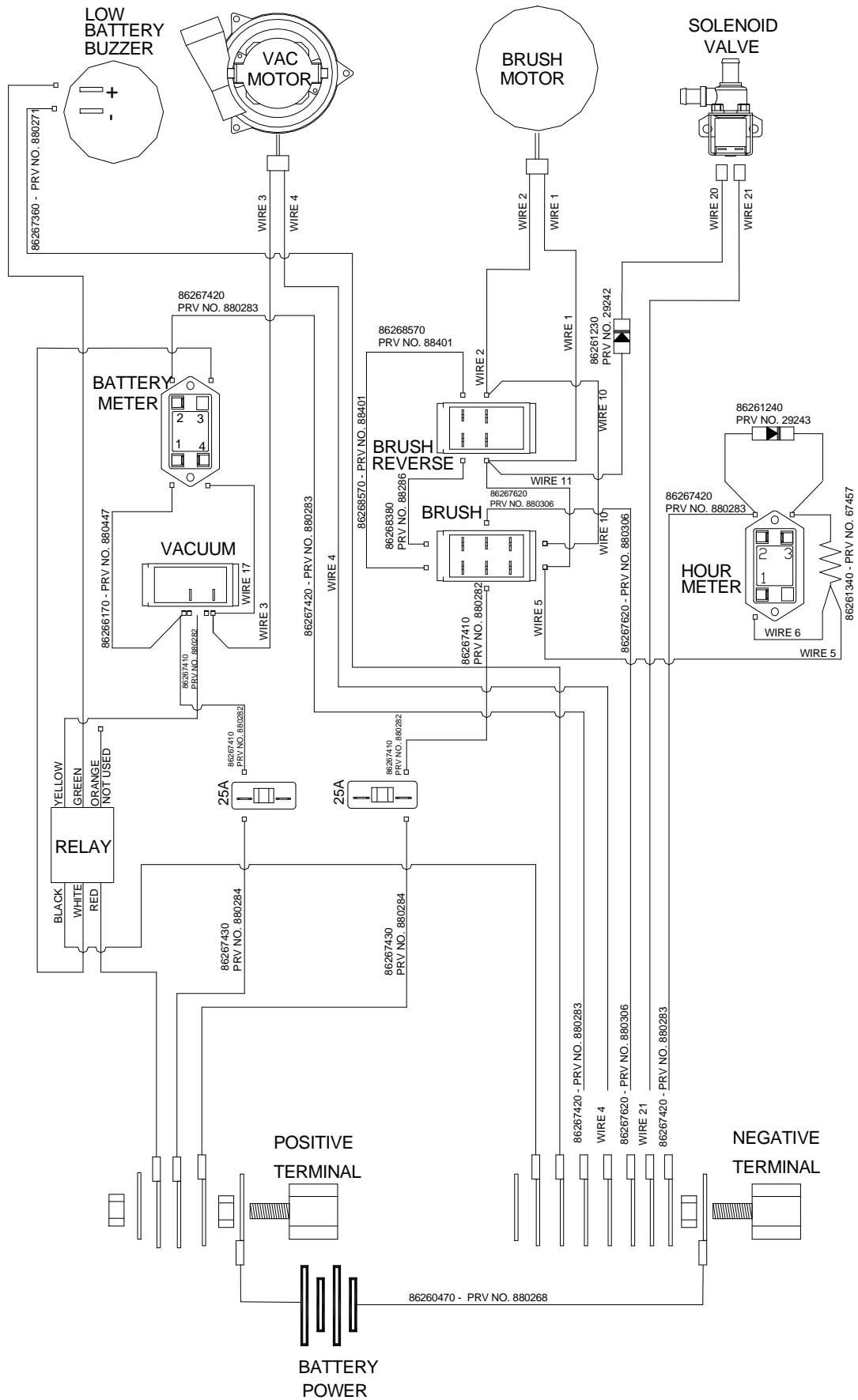
WIRING—MAIN HARNESS QSC172

| REF | PART NO. | PRV NO. | QTY | DESCRIPTION | SERIAL NO. FROM | NOTES: |
|-----|----------|---------|-----|--------------------------------|--------------------|--------|
| 1 | 86218890 | 880448 | 1 | HARNESS, SCRUBBER 172 | | |
| 2 | 86261230 | 29242 | 1 | DIODE ASM, 76031 X 76042 | | |
| 3 | 86261240 | 29243 | 1 | DIODE ASM, 76031 X 76031 | | |
| 4 | 86261340 | 67457 | 1 | RESISTOR ASM, 2.7K OHM 1 WATT | | |
| 5 | 86268570 | 88401 | 1 | WIRE, 3" BLK/14 76029 X 76029 | | |
| 6 | 86267420 | 880283 | 2 | WIRE, 3.5 BLK/18 76011 X 76040 | | |
| 7 | 86267410 | 880282 | 2 | WIRE, 6" RED/14 76010 X 76029 | | |
| 8 | 86267620 | 880306 | 1 | WIRE, 5.5 BLK/14 76001 X 76029 | | |
| 9 | 86268380 | 88286 | 1 | WIRE, 4" RED/14 76029 X 76029 | | |
| 10 | 86226170 | 880447 | 1 | WIRE, 5" RED/18 76031 X 76047 | | |
| 11 | 86267430 | 880284 | 2 | WIRE, 4.5 RED/14 76001 X 76029 | | |

WIRING-SCHEMATIC- ALL EXCEPT QSC172, SCHC172 & SCH172

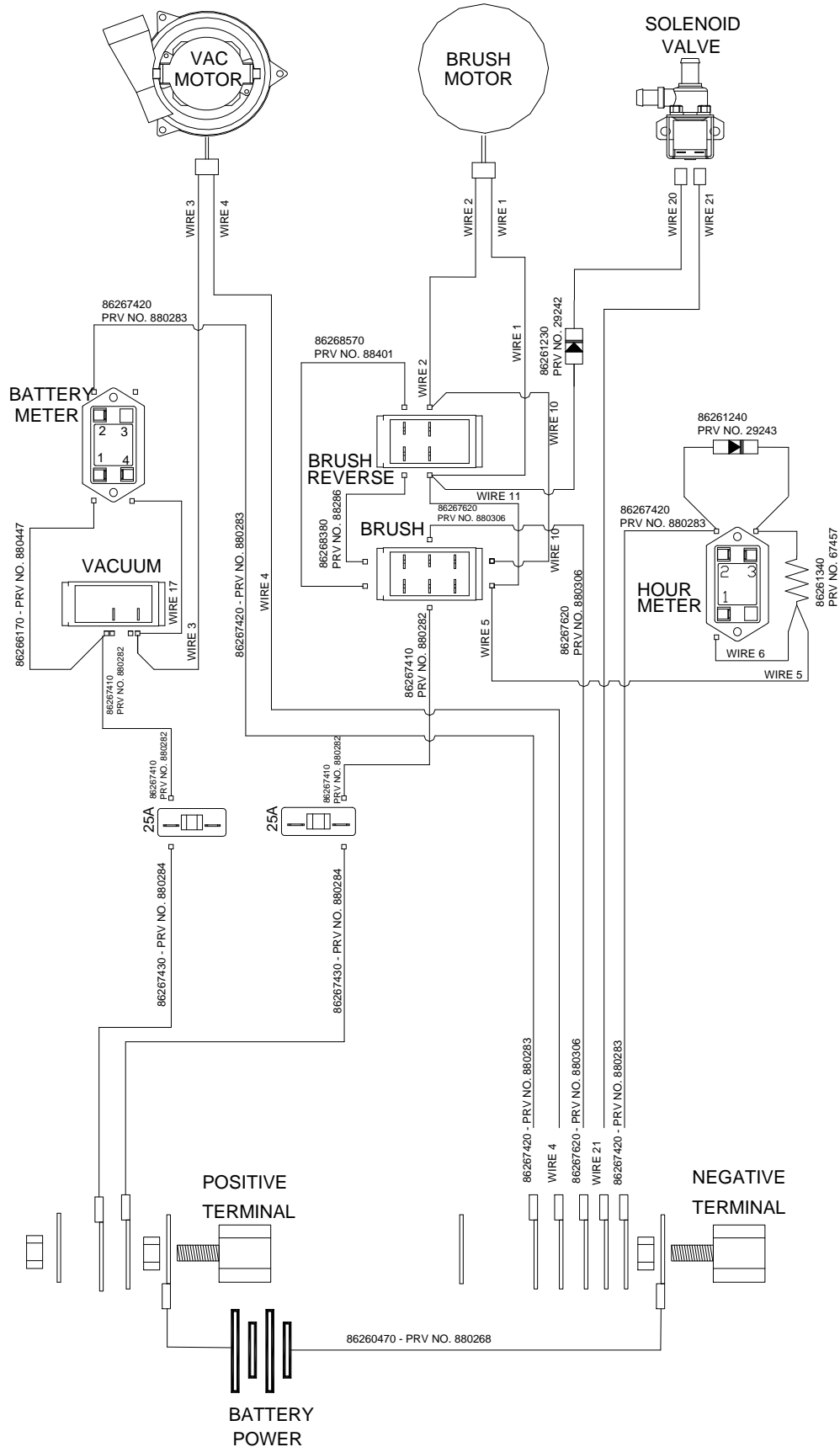


WIRING-SCHEMATIC-SCH172



86221970 17" SCRUBBER 01/03/07

WIRING-SCHEMATIC-QSC172



SUGGESTED SPARE PARTS

| PART NO. | PRV NO. | DESCRIPTION | SERIAL NO. FROM | NOTES: |
|----------|---------|-----------------------------------|--------------------|--------|
| 86215680 | 140931 | BREAKER, 25A 250VAC 50VDC | | |
| 86135310 | 140686 | BRUSH SET, 24/36V VAC, WINDSOR | | |
| 86001360 | 140394 | BRUSH SET, CCL MOTORS | | |
| 86002510 | 23125 | WIRE 4 X 15 BCLAMP X BCLAMP | | |
| 86002540 | 23174 | WIRE ASM 2X21 BATTERY W/ ANDERSON | | |
| 86003630 | 34351 | FLOAT SHUT-OFF | | |
| 86003760 | 35166 | GASKET, VAC MTR | | |
| 86003980 | 35249 | GASKET, SQG. .13 THK X 8.00 LG | | |
| 86219690 | 48080 | KNOB, 1.5 OD X 5/16-18 | | |
| 86242100 | 48083 | KNOB, SOLUTION LEVER | | |
| 86007320 | 730029 | SKIRT, 17 IN SCRUBBER | | |
| 86224610 | 730359 | SPRING, BRUSH CLIP | | |
| 86007350 | 730040 | STRAINER, 3/8" NPT 20 MESH | | |
| 86007360 | 730057 | BLADE, SQUEEGEE FRONT | | |
| 86007610 | 730227 | BLADE, SQUEEGEE REAR | | |
| 86252520 | 80885 | SAFETY DECAL, BATTERY CAUTION | | |
| 86252540 | 81505 | SAFETY DECAL, SOLUTION WARNING | | |

Free Manuals Download Website

<http://myh66.com>

<http://usermanuals.us>

<http://www.somanuals.com>

<http://www.4manuals.cc>

<http://www.manual-lib.com>

<http://www.404manual.com>

<http://www.luxmanual.com>

<http://aubethermostatmanual.com>

Golf course search by state

<http://golfingnear.com>

Email search by domain

<http://emailbydomain.com>

Auto manuals search

<http://auto.somanuals.com>

TV manuals search

<http://tv.somanuals.com>