

# WINEGARD®

## Installation Instructions

### Models DS-1111, VM-1111

**INSTALLATION OF THIS MOUNT NEAR POWER LINES IS DANGEROUS. FOR YOUR SAFETY, FOLLOW THE INSTALLATION INSTRUCTIONS.**

**NOTE: THIS MOUNT IS NOT DESIGNED FOR APPLICATIONS ON A VERTICAL SURFACE SUCH AS WALLS, POLES, ETC.**

**CAUTION: LIMIT SIZE OF TV ANTENNA TO GS-1000/2000, MS-1000/2000 OR A BOOM LENGTH OF 40" OR LESS.**

**STEP 1.** Assemble satellite dish and mount per manufacturers instructions. Do not make fine tuning adjustment at this time.

**STEP 2.** Remove (2) clamp tightening carriage bolts from existing clamp bracket.

**STEP 3.** Attach flat plate to existing clamp bracket with 1/4 - 20 x 1.25" bolts and install the washers and nuts.

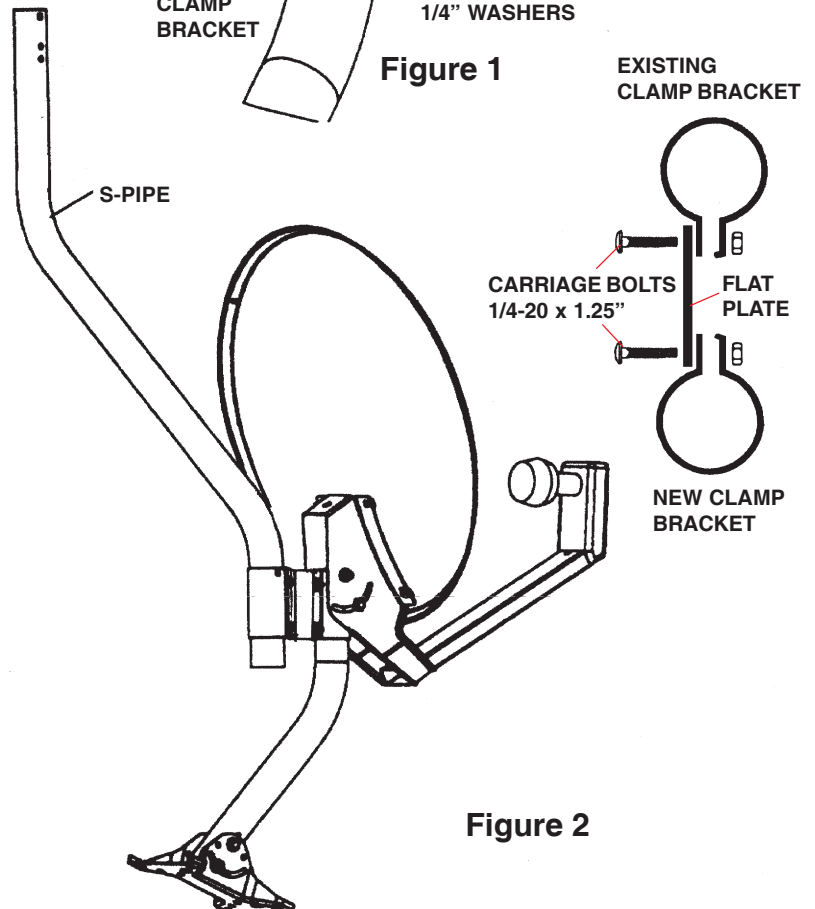
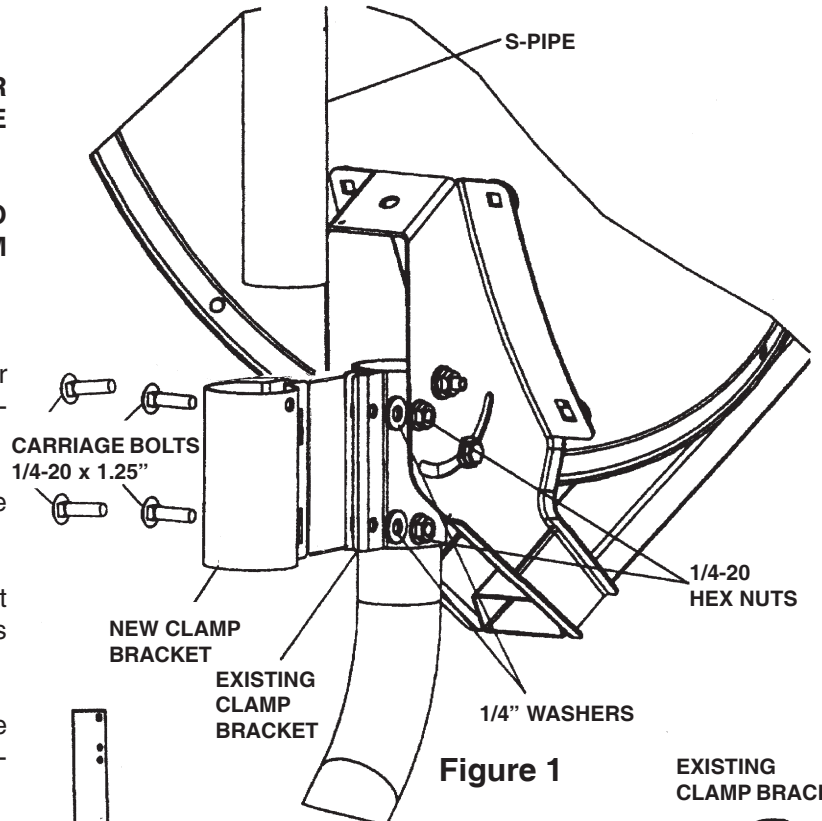
**STEP 4.** Adjust azimuth and elevation on satellite dish for optimum signal strength per manufacturers instructions.

**STEP 5.** Tighten all hardware on satellite antenna mount, including clamp bolt nuts, when the optimum signal strength is achieved.

**STEP 6.** Slide S-pipe into new clamp, and adjust to the approximate desired location. See Figure 2 for complete assembly.

**STEP 7.** Mount off-air antenna to upper mast. Run coax download and secure it at the same time the DSS wires are installed.

**MAKE SURE TO GROUND BOTH ANTENNA/ MOUNTS PER SATELLITE AND OFF-AIR ANTENNA INSTALLATION INSTRUCTIONS.**



**WINEGARD®**

## Free Manuals Download Website

<http://myh66.com>

<http://usermanuals.us>

<http://www.somanuals.com>

<http://www.4manuals.cc>

<http://www.manual-lib.com>

<http://www.404manual.com>

<http://www.luxmanual.com>

<http://aubethermostatmanual.com>

Golf course search by state

<http://golfingnear.com>

Email search by domain

<http://emailbydomain.com>

Auto manuals search

<http://auto.somanuals.com>

TV manuals search

<http://tv.somanuals.com>