

INSTALLATION INSTRUCTIONS

WINEGARD®

18" Digital Satellite Antenna

Truck/RV Mount

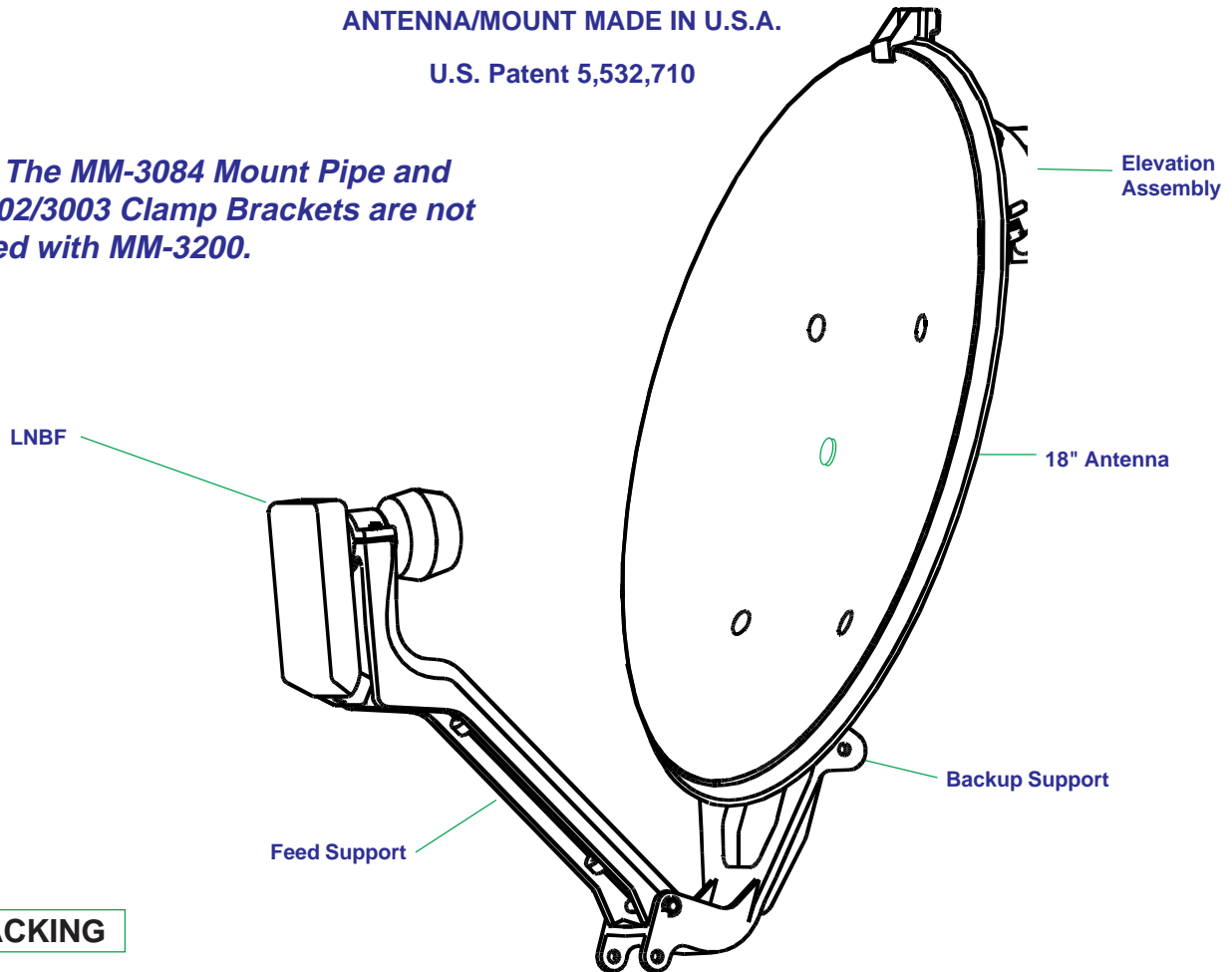
Model MM-3200 Antenna

Models MM-3084, MM-3002 & MM-3003

ANTENNA/MOUNT MADE IN U.S.A.

U.S. Patent 5,532,710

NOTE: The MM-3084 Mount Pipe and MM-3002/3003 Clamp Brackets are not supplied with MM-3200.



UNPACKING

After unpacking the system, verify that you have the following: antenna/mount, elevation assembly, feed support w/LNBF & coaxial cable attached, compass and storage bag. If you do not, call Winegard Company at 1-800-288-8094 between the hours of 8:00 a.m. and 3:30 p.m central time, Monday through Friday.

NOTE: Before proceeding with installation of satellite antenna/mount, viewing enclosed installation video is recommended.

ASSEMBLY

STEP 1. Attach feed support to the backup support. See Figures 1 & 2. Make sure spring is locked into place.

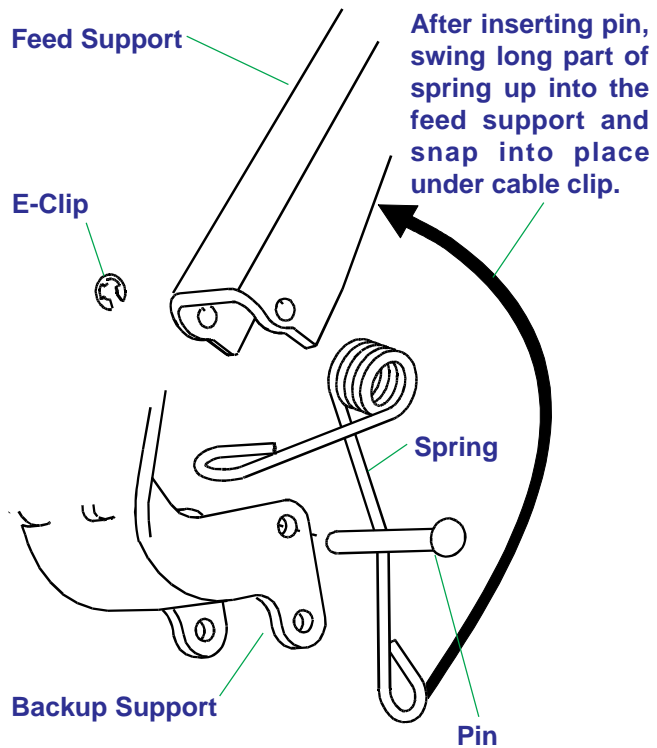


FIGURE 1

STEP 2. Remove the two top bolts from the backup support and attach the elevation assembly to antenna. See Figure 3. Tighten bolts securely.

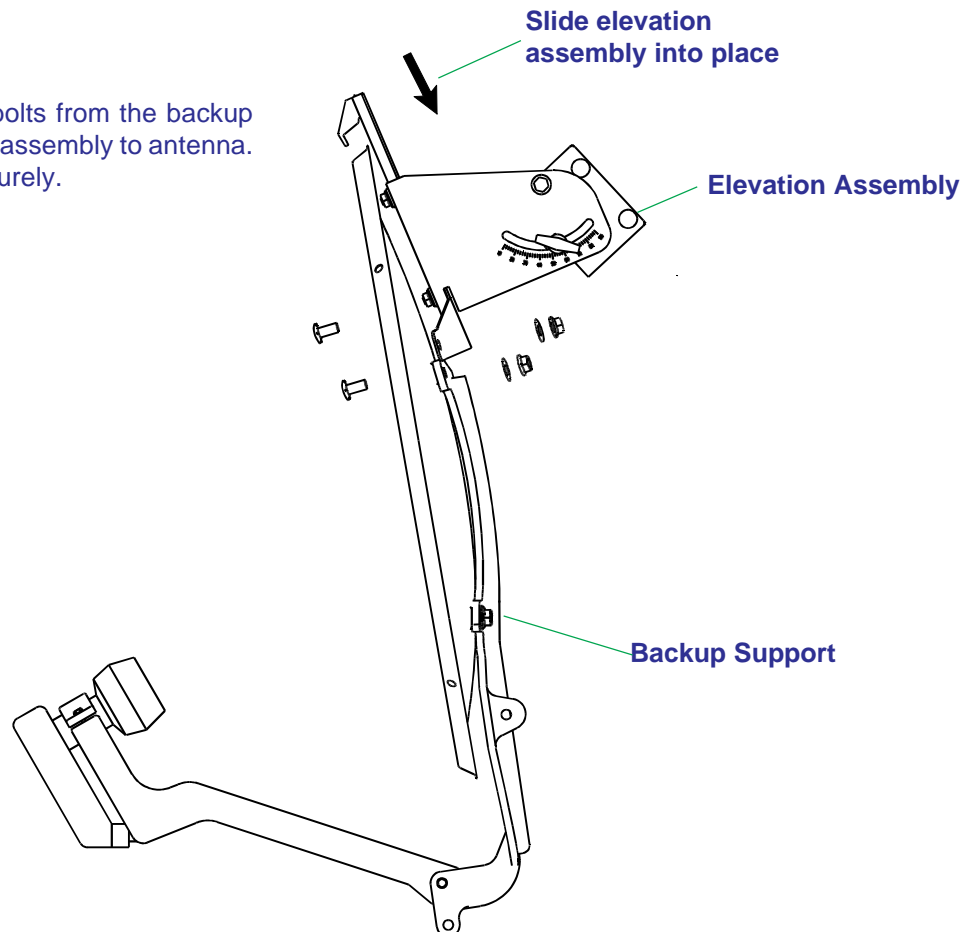


FIGURE 2

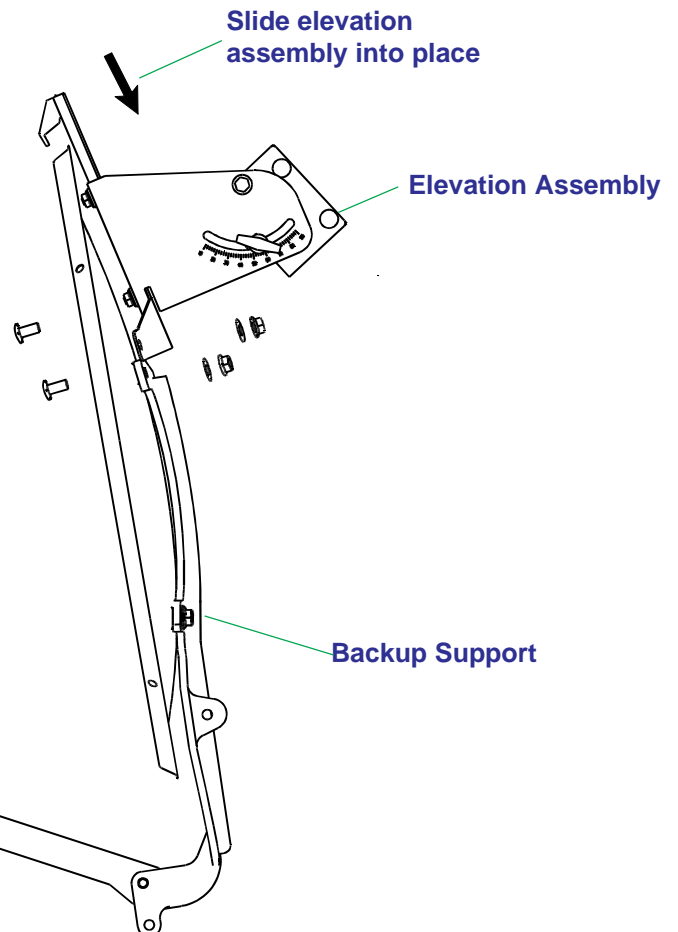


FIGURE 3

STEP 3. Attach the MM-3084 (pipe that antenna mounts on) to your truck/RV. If using the MM-3002 clamp brackets, proceed to step 9. If using the MM-3003 clamp brackets, proceed to step 4.

MM-3003 Assembly

STEP 4. Disassemble pipe per number sequence shown in Figure 4 so that you can **slide both MM-3003 brackets onto the pipe.**

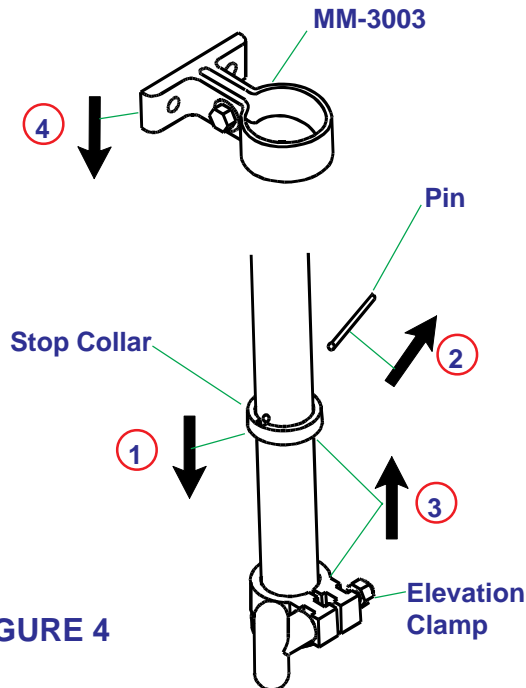


FIGURE 4

STEP 5. Reassemble pipe after sliding both clamp brackets onto pipe; make sure the stop collar snaps firmly onto the pin.

STEP 6. Determine where you want to mount the pipe. It is recommended that you try to bolt into something solid on your truck/RV and someplace close to a window so you can listen/watch your TV when tuning the system. **Make sure pipe is vertical (straight up and down), this will make finding the satellite(s) easier. Also make sure antenna will clear top of truck/RV (if possible). NOTE: A second set of clamp brackets and pipe is recommended for other side of truck.** Winegard Company cannot recommend specific mounting locations because of the many truck/RV styles.

STEP 7. Use (4) 5/16" x 1-1/2" bolts supplied to secure pipe clamp brackets to side of truck/RV. See Figure 5. **Try to maintain as much separation between the clamp brackets as possible.** See Figure 7. It is recommended that you attach the top clamp with one bolt, then check vertical alignment before attaching bottom clamp and finishing top.

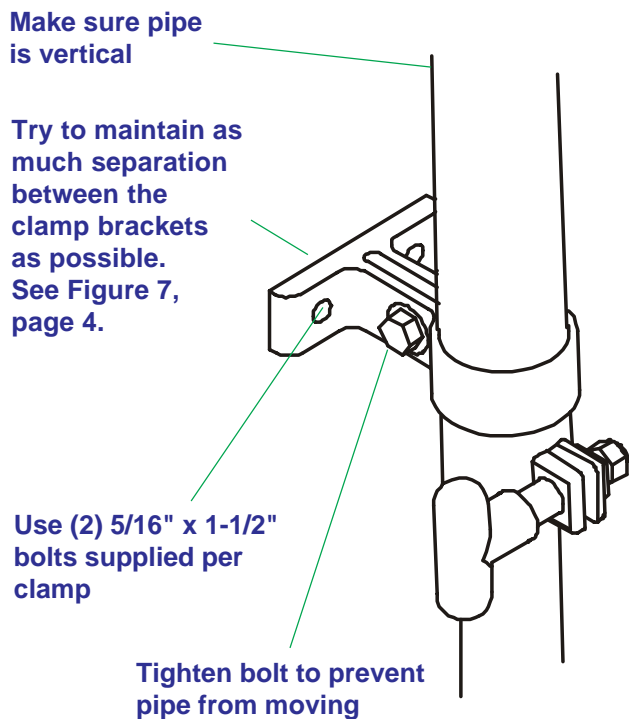


FIGURE 5

STEP 8. Tighten clamp bracket bolts to prevent pipe from moving, See Figure 5. You are now ready to aim the antenna; proceed to Operation, page 5.

MM-3002 Assembly

STEP 9. Slip the small plastic shims over the handrail/ladder and the large plastic shims over the MM-3084 pipe. See Figure 6.

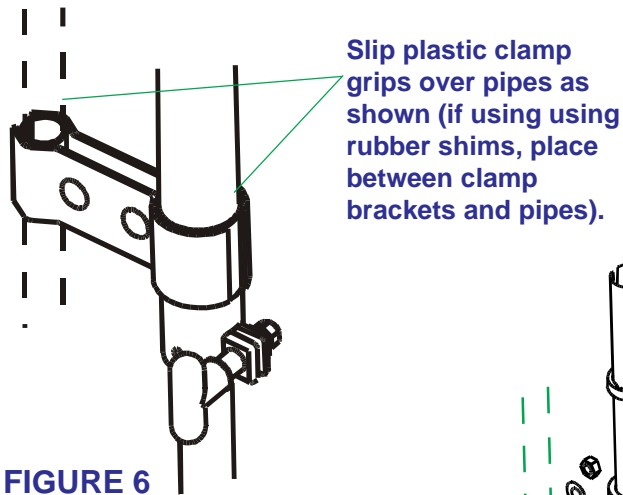


FIGURE 6

NOTE: If MM-3002 comes with eight (8) rubber shims instead of the 4 plastic clamp grips. Insert rubber shims between clamp brackets and MM-3001 pipe and handrail/ladder. See Figure 6.

STEP 10. Attach clamp brackets to pipe and handrail/ladder using carriage bolts, nuts and washers supplied with MM-3002. Do not crush handrail/ladder. Try to maintain as much separation between the clamp brackets as possible. See Figure 7. Make sure pipe is vertical (straight up and down). You are now ready to aim the antenna; proceed to Operation, page 5.

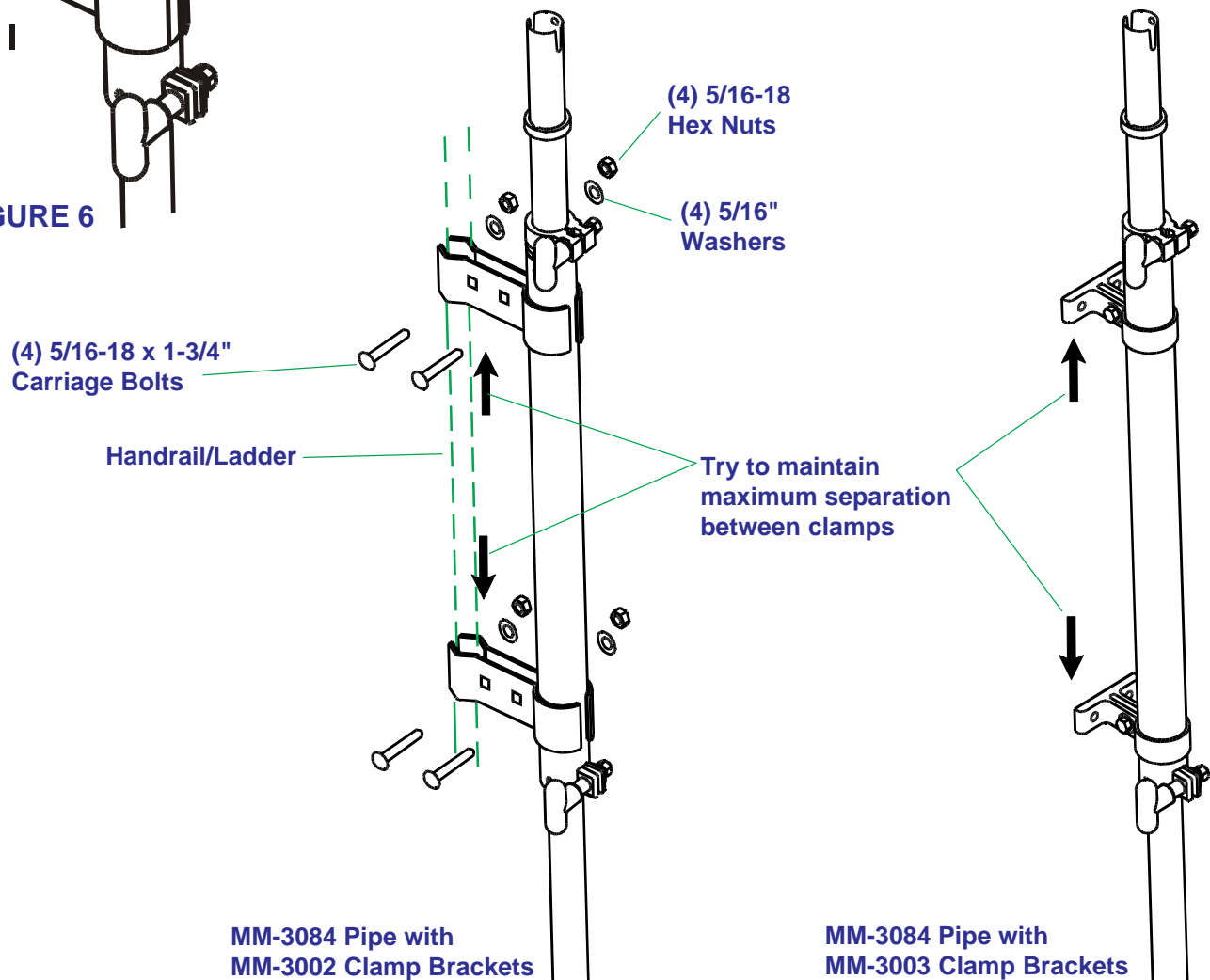


FIGURE 7

OPERATION

STEP 1. Set antenna onto pipe. See Figure 8. Make sure elevation clamp fits into keyway on pipe. **The antenna can be secured in place using a small padlock to prevent theft.**

STEP 2. Connect coax from LNBF to receiver. Optional Winegard exterior cable/TV receptacle (WA-1024) available for easy coax connection into cab.

STEP 3. Connect coax from receiver to TV.

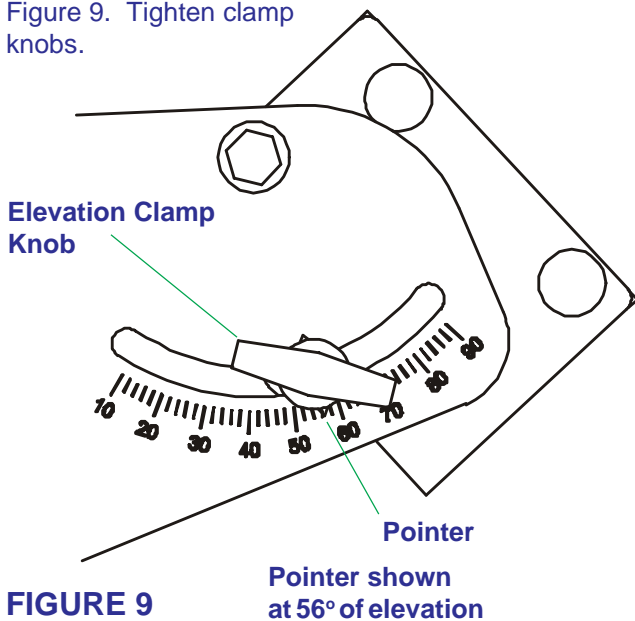
STEP 4. Plug in the receiver and TV.

STEP 5. Turn TV and receiver ON.

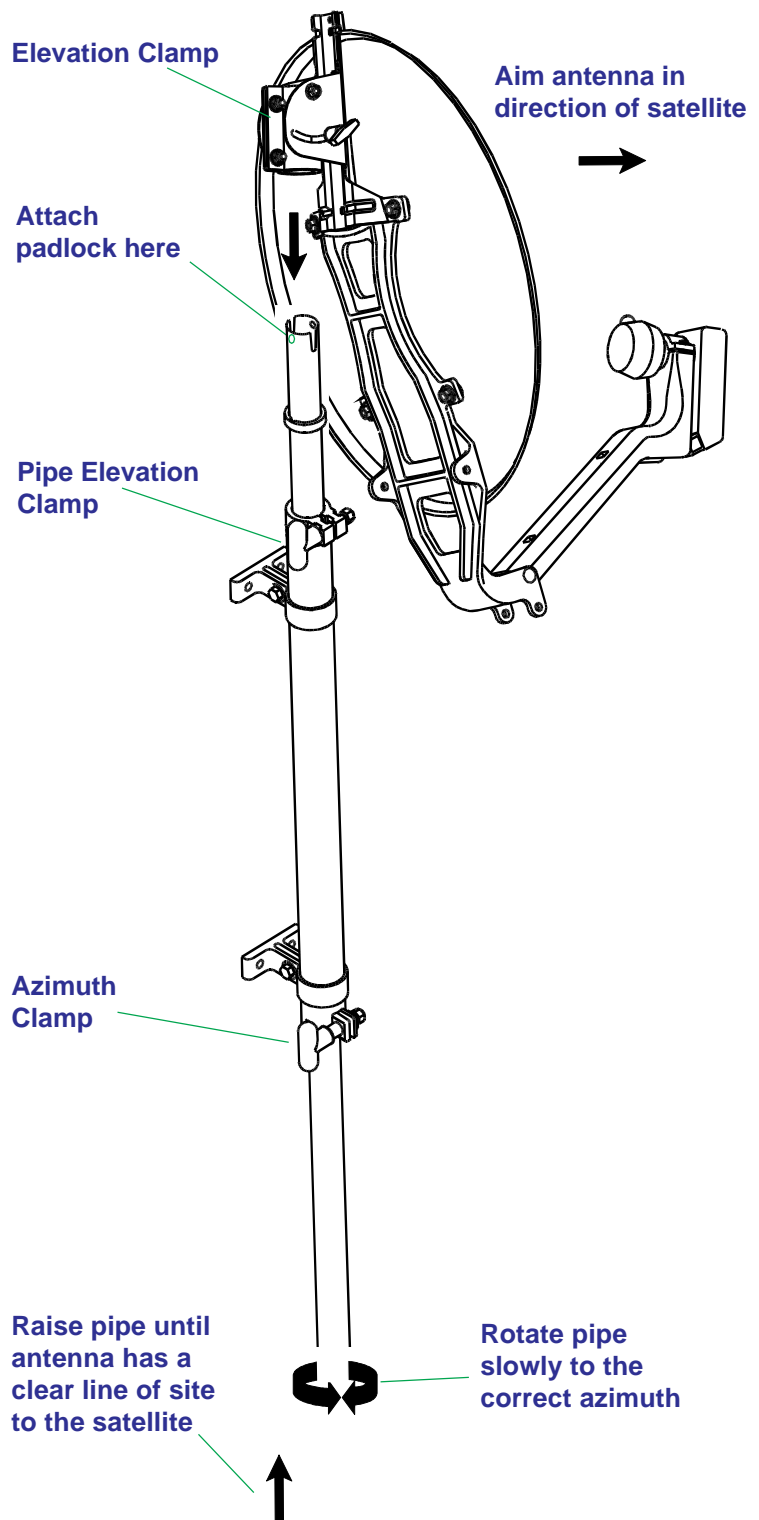
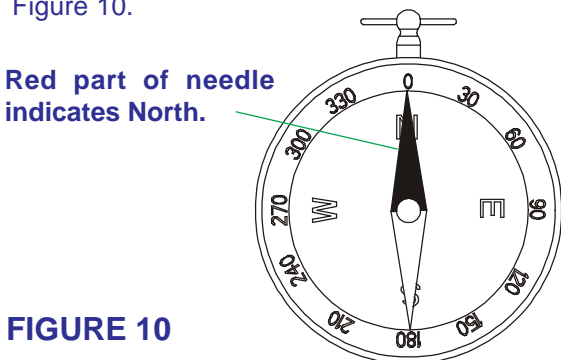
STEP 6. Tune TV to ch. 3 or 4 (output from receiver).

STEP 7. Determine azimuth (compass heading) and elevation required for your position. Refer to Quick Reference Guide or receiver manual.

STEP 8. Loosen elevation clamp knobs. Set antenna elevation to correct elevation. Align degree of elevation required with pointer washer at the clamp knob. See Figure 9. Tighten clamp knobs.



STEP 9. Using the compass provided, determine which direction (azimuth) you need to aim antenna. See Figure 10.



IMPORTANT

NOTE: Stand away from your truck/RV (15' min.) to find the correct azimuth. The metal in your truck/RV can give you an incorrect reading.

STEP 10. Raise the antenna so that it has clear view of the satellite, tighten the pipe elevation clamp. See Figure 8. This keeps pipe from sliding down.

NOTE: The most common problem people experience is moving the antenna too fast. You must move the antenna VERY slowly so that the receiver can acquire and process the digital signal. This takes a few seconds so be patient. After the first couple of times of setting up the system you will get the knack of acquiring the signal quickly.

STEP 11. Slowly rotate the antenna 2° then wait 2 seconds, then rotate again in the direction of the satellite. **The signal is digital, so it takes the receiver a few seconds to process the signal. It is very important that you move the antenna very slowly.**

STEP 12. Adjust azimuth (direction) for best picture then tighten azimuth clamp to keep pipe from rotating. See Figure 6.

STEP 13. Contact your receiver's programmer to order programming. **Remember, until you activate a programming service, you will only receive preview channels.**

NOTE: If you do not get a picture, check the following:

1. **Make sure antenna has a clear view of the high power satellites; no buildings, trees, etc. blocking the view.**
2. **Make sure coax connections are good.**
3. **Check coax for breaks, crimps, cuts etc.**
4. **If pipe is not vertical (vehicle is not level), you will have to adjust the elevation to compensate.**
5. **Make sure TV is tuned to correct channel.**
6. **Verify that you have the correct elevation and azimuth.**

If you still do not get a picture, lower the elevation angle 2° and repeat steps 8 through 10. If this is not successful, raise the elevation angle 4° and repeat steps 8 through 10. If you still do not get a picture, contact Winegard Service Dept.

CAUTION: DO NOT DROP ANTENNA. IF ANTENNA IS DAMAGED, IT WILL REDUCE THE GAIN (HOW MUCH SIGNAL THE ANTENNA SENDS TO THE RECEIVER) OF THE ANTENNA. THIS CAN RESULT IN A LOSS OF SIGNAL. DO NOT DAMAGE LNBF.

TWO YEAR LIMITED WARRANTY

Winegard Company warrants this Winegard product (excluding receiver) against any defects in materials or workmanship within two (2) year from date of purchase. No warranty claim will be honored unless at the time the claim is made, you present proof of purchase to an authorized Winegard dealer (if unknown, please contact Winegard Company, 3000 Kirkwood Street, Burlington, Iowa 52601-2000, telephone 319-754-0600).

Winegard Company (at its option) will either repair or replace the defective product at no charge to you. This warranty covers parts, but does not cover any costs incurred in removal, shipping or reinstallation of the product. This limited warranty does not apply if the product is damaged, deteriorates, malfunctions or fails from: misuse, improper installation, abuse, neglect, accident, tampering, modification of the product as originally manufactured by Winegard, usage not in accordance with product instructions or acts of nature such as damage caused by wind, lightning, ice or corrosive environments such as salt spray and acid rain.

The Two Year Warranty is provided on the condition that the equipment is properly delivered with all handling and freight charges prepaid to your Winegard dealer for repair or return to our factory at the above address. Winegard dealers will arrange for the replacement or repair and return to you, without charge, the product which failed due to defective material or workmanship.

WINEGARD COMPANY WILL NOT ASSUME ANY LIABILITIES FOR ANY OTHER WARRANTIES, EXPRESS OR IMPLIED, MADE BY ANY OTHER PERSON.

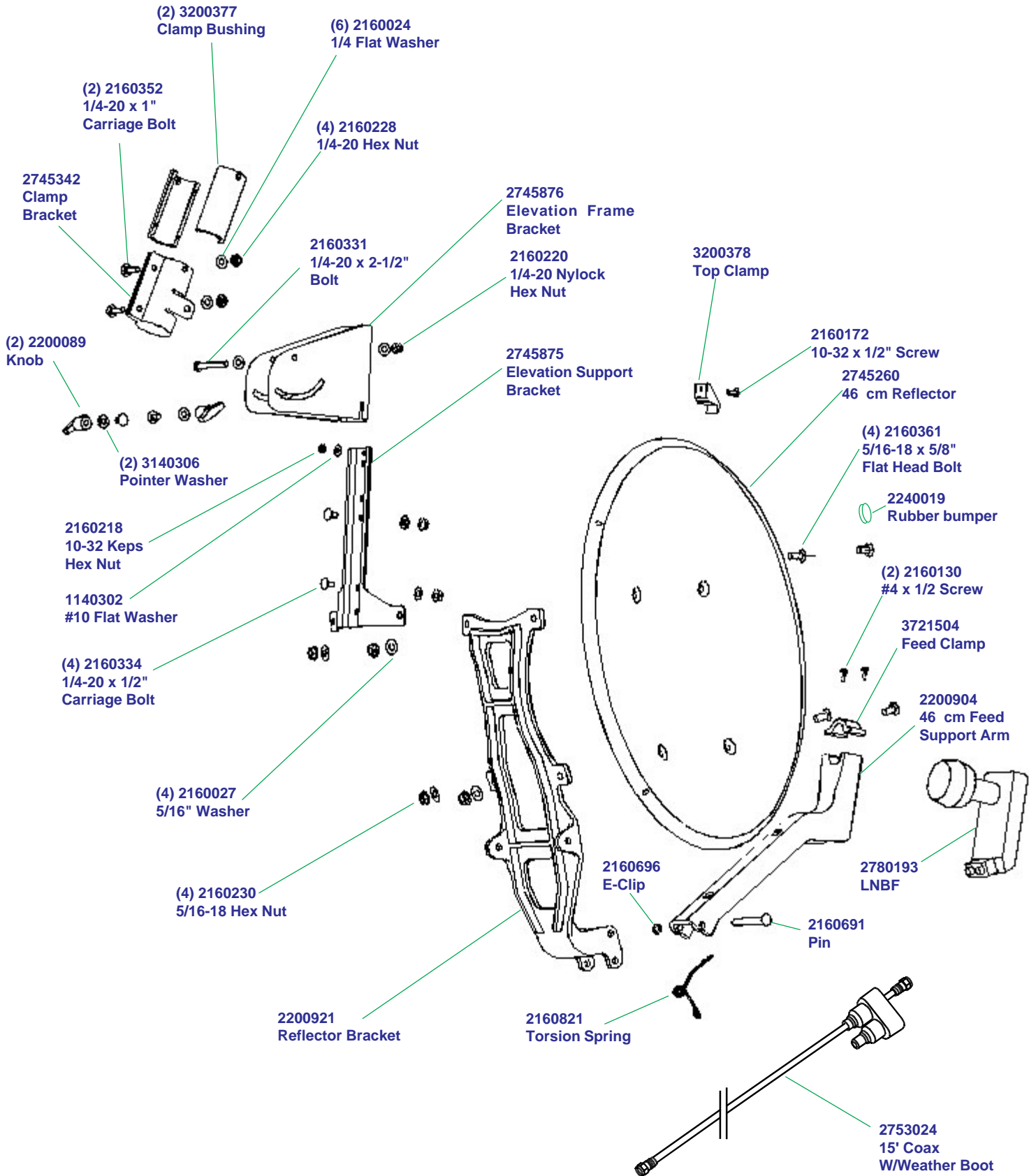
ALL OTHER WARRANTIES WHETHER EXPRESS, IMPLIED OR STATUTORY INCLUDING WARRANTIES OF FITNESS FOR A PARTICULAR PURPOSE AND MERCHANTABILITY ARE LIMITED TO THE ONE YEAR PERIOD OF THIS WRITTEN WARRANTY.

The foregoing shall be the sole and exclusive remedy of any person whether in contract, tort or otherwise, and Winegard shall not be liable for incidental or consequential damage or commercial loss, or from any other loss or damage except as set forth above.

Some states do not allow limitations on how long an implied warranty lasts, or the exclusion of limitation of incidental or consequential damages, so the above limitations or exclusions may not apply to you.

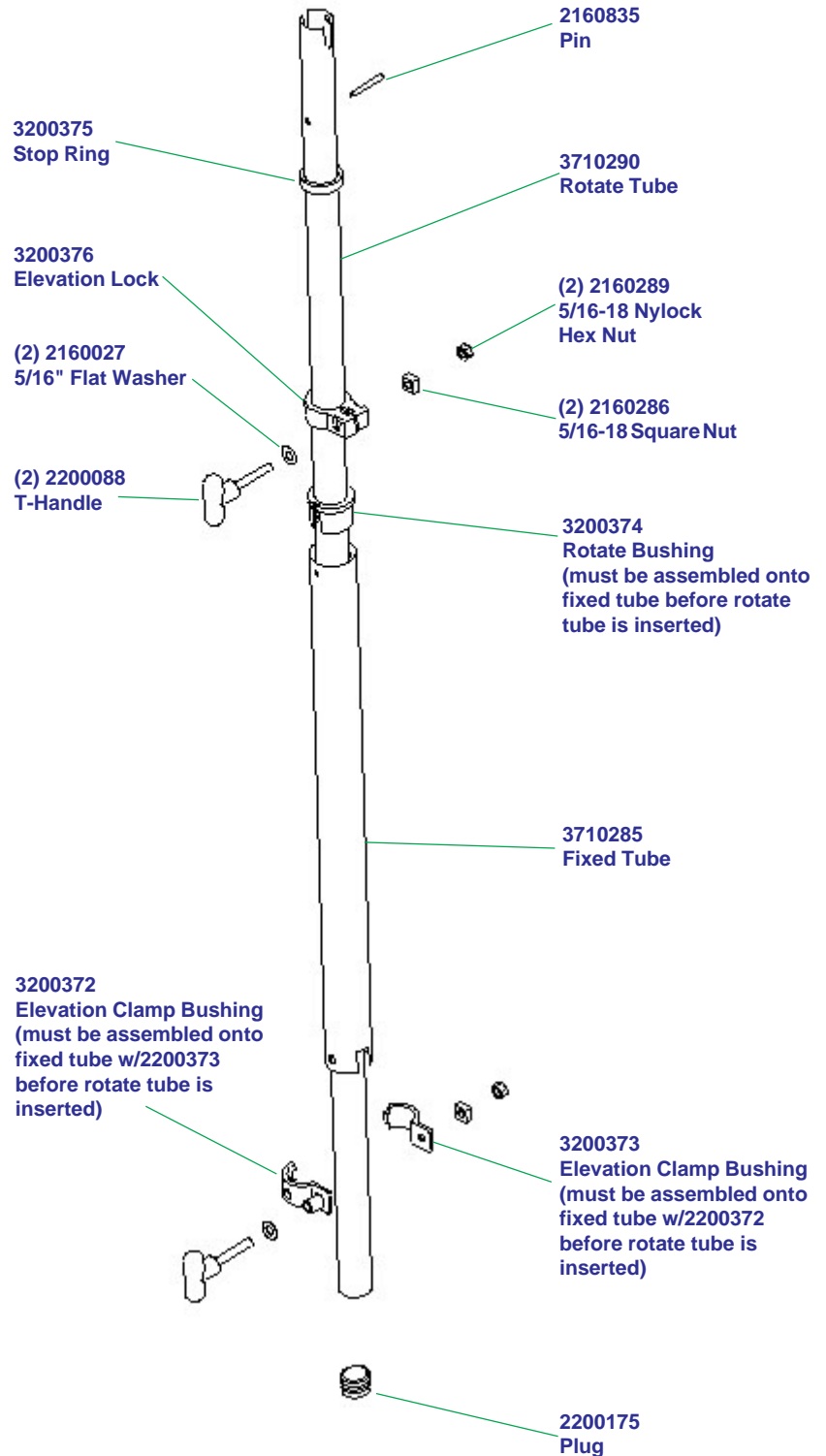
This warranty gives you specific legal rights and you may also have other rights which vary from state to state.

EXPLODED PARTS VIEW



EXPLODED PARTS VIEW

If you require a replacement part, call Winegard Company at 1-800-288-8094 between the hours of 8:00 a.m. and 3:30 p.m central time, Monday through Friday. Credit card orders only.



Free Manuals Download Website

<http://myh66.com>

<http://usermanuals.us>

<http://www.somanuals.com>

<http://www.4manuals.cc>

<http://www.manual-lib.com>

<http://www.404manual.com>

<http://www.luxmanual.com>

<http://aubethermostatmanual.com>

Golf course search by state

<http://golfingnear.com>

Email search by domain

<http://emailbydomain.com>

Auto manuals search

<http://auto.somanuals.com>

TV manuals search

<http://tv.somanuals.com>