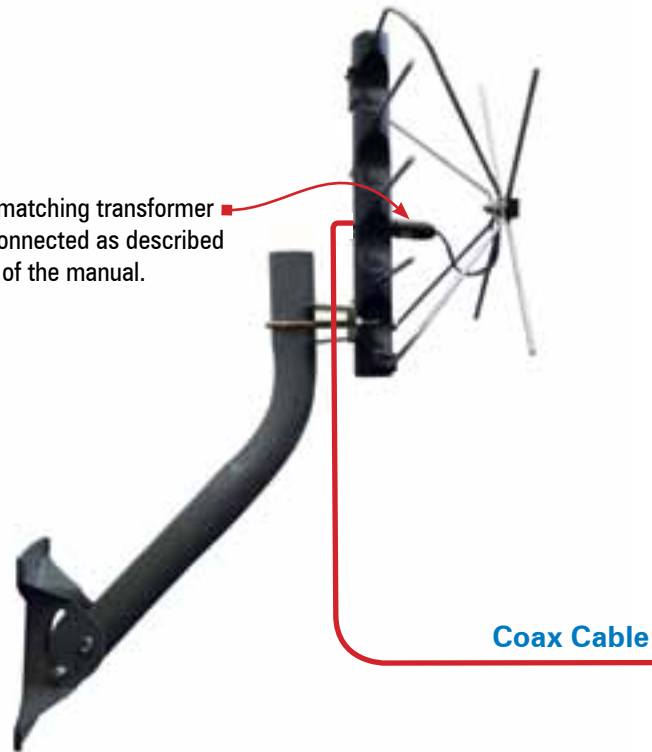


## Wiring Diagram for FREEVISION® Antenna to Television

**FREEVISION® Antenna**  
(Side View—mount not included with all models)

Note: the matching transformer must be connected as described on page 4 of the manual.



**Antenna/Cable In  
Coax Connection Port**



**Back of TV**



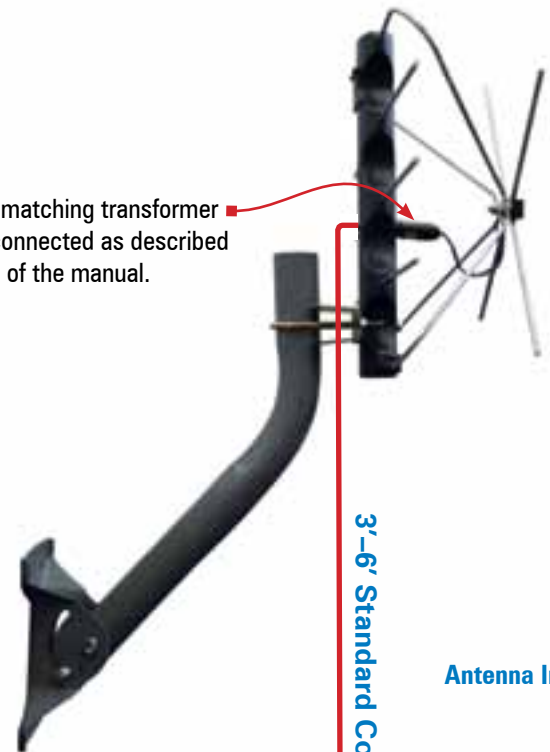
**Coax Cable**

Winegard model AP-8700 preamplifier and model PS-1403 power inserter are shown above.

## Wiring Diagram for FREEVISION® Antenna with Preamp

**FREEVISION® Antenna**  
(Side View—mount not included with all models)

Note: the matching transformer must be connected as described on page 4 of the manual.



3'-6" Standard Coax Cable

Antenna Input

Underside of Preamp



Power Supply Input

Slide a weather boot over each coax cable.

Coax Cable

Power Inserter

TV Input

Ant. Input

Power Input

Coax Cable

AC Adaptor



Antenna/Cable In  
Coax Connection Port

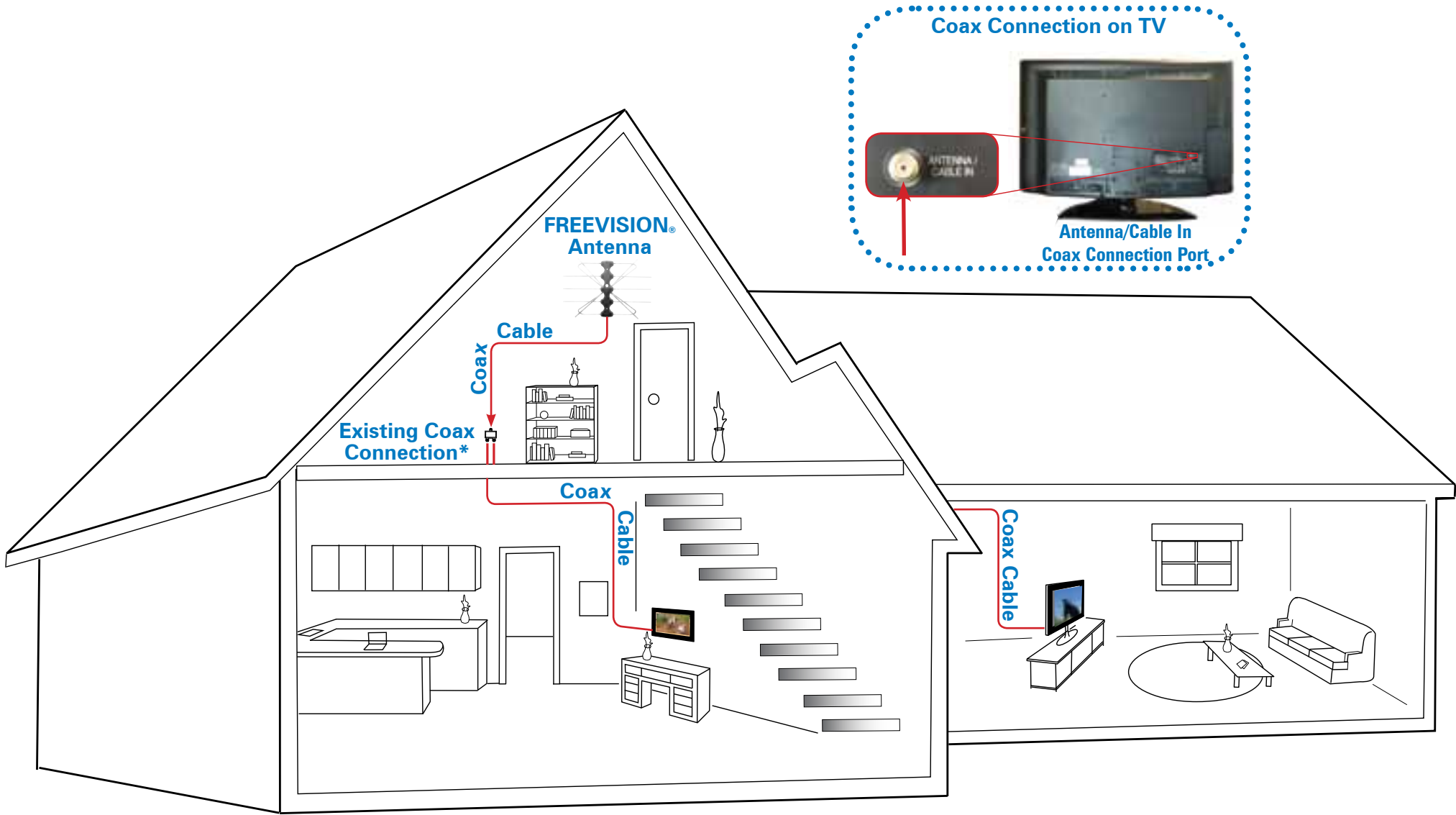


Back of TV



Winegard model AP-8700 preamplifier and model PS-1403 power inserter are shown above.

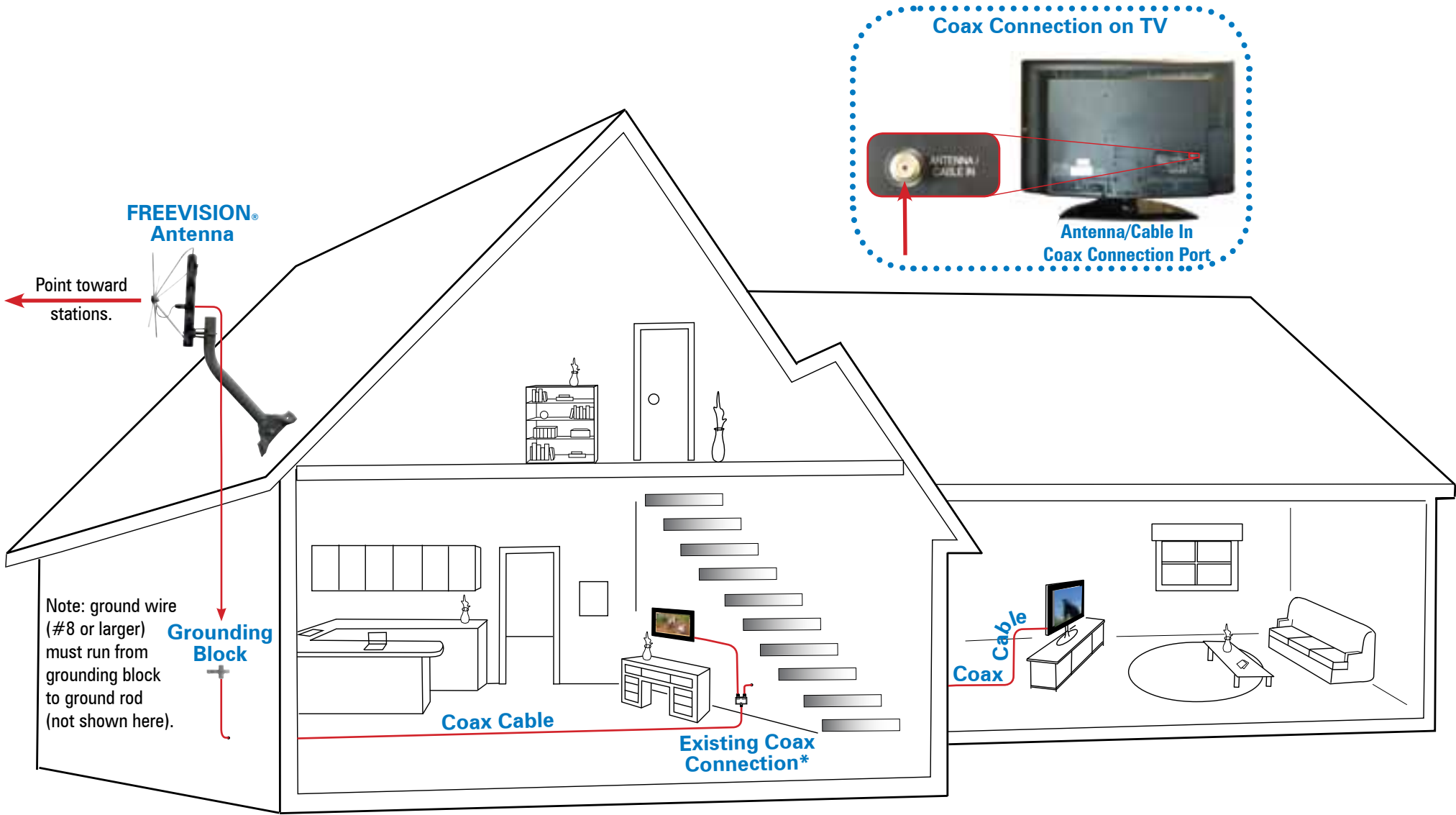
## Wiring Diagram for FREEVISION® Antenna with Existing Indoor Coax Connection



\*The existing coax connection may be a 2-, 3-, 4- or 6- port splitter. A 2-port splitter is shown here.

Depending on the amount of signal received, a distribution amplifier may be required to power the system. Winegard recommends model HDA-100 distribution amplifier.

# Wiring Diagram for FREEVISION® Antenna with Grounding Block and Existing Coax Connection

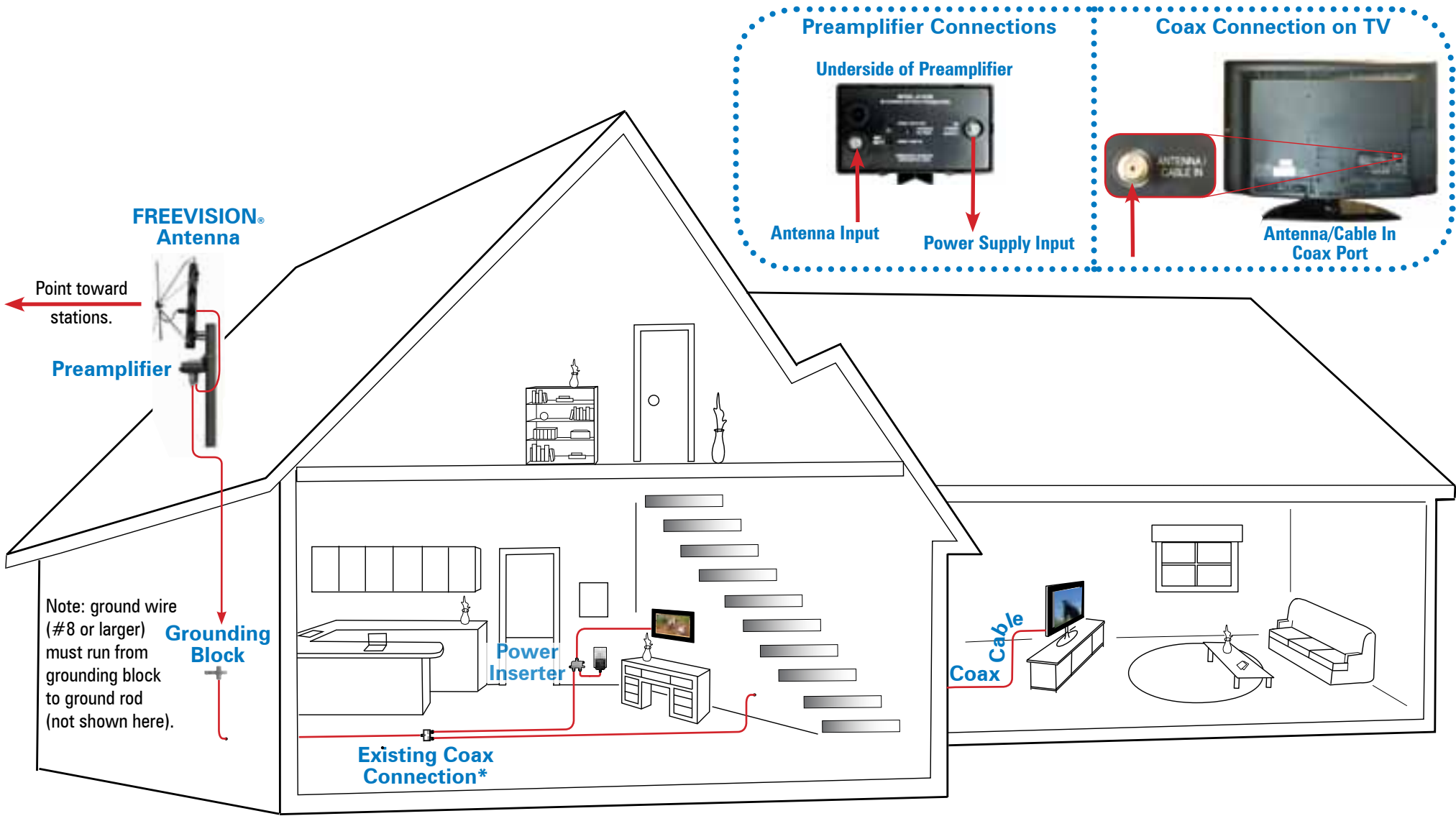


\*The existing coax connection may be a 2-, 3-, 4- or 6- port splitter. A 2-port splitter is shown here.

Depending on the amount of signal received, a distribution amplifier or preamplifier may be required to power the system. Winegard recommends model HDA-100 distribution amplifier or AP-8700 preamplifier.

Refer to the National Electronic Code for antenna grounding specifications.

# Wiring Diagram for FREEVISION® Antenna with Preamp, Grounding Block & Existing Coax Connection



\*The existing coax connection must be a splitter that is AC/DC passive on one leg only. The power supply must be connected to the AC/DC passive leg of the existing coax connection. Refer to the National Electronic Code for antenna grounding specifications.

## Free Manuals Download Website

<http://myh66.com>

<http://usermanuals.us>

<http://www.somanuals.com>

<http://www.4manuals.cc>

<http://www.manual-lib.com>

<http://www.404manual.com>

<http://www.luxmanual.com>

<http://aubethermostatmanual.com>

Golf course search by state

<http://golfingnear.com>

Email search by domain

<http://emailbydomain.com>

Auto manuals search

<http://auto.somanuals.com>

TV manuals search

<http://tv.somanuals.com>