

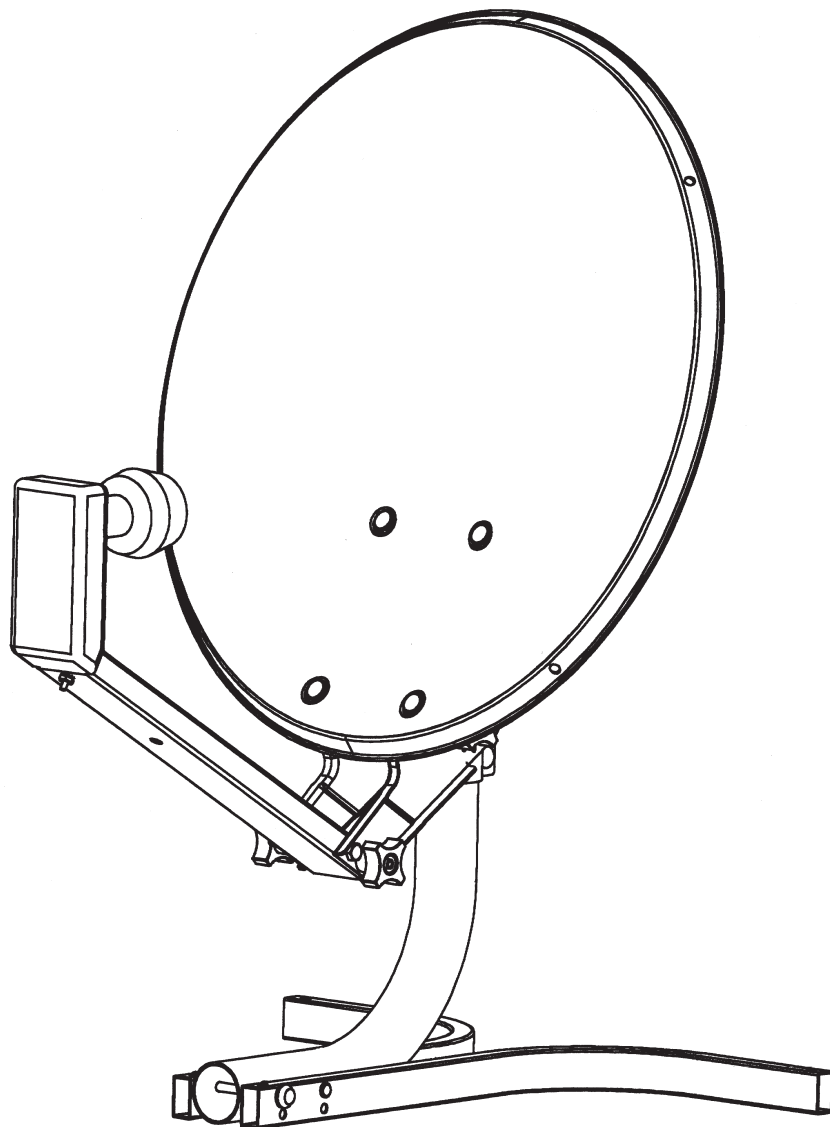
WINEGARD®

Carryout™

Portable Digital Satellite Antenna Model PM-2000

Assembly and Operating Instructions

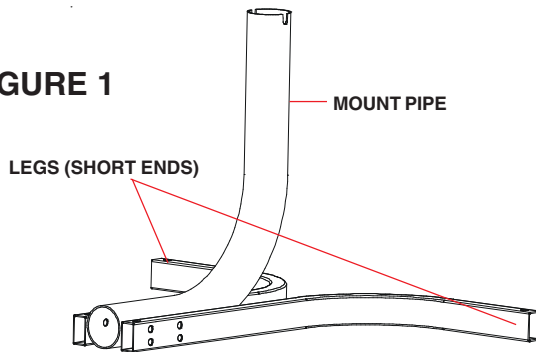
Made in USA



ASSEMBLY MOUNT ASSEMBLY

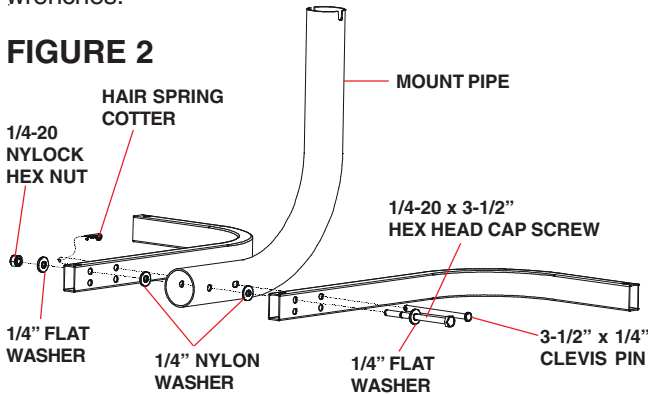
STEP 1. Position legs and mount pipe as shown in Figure 1.

FIGURE 1



STEP 2. Attach mount pipe and legs using (2) 1/4" flat washers, (2) 1/4" nylon washers, (1) 1/4" nylock nut, and (1) 3-1/2" hex head cap screw. Insert the screw through the top left hole of leg as shown in Figure 2. Insert washers and install nylock nut. Tighten using (2) 7/16" wrenches.

FIGURE 2



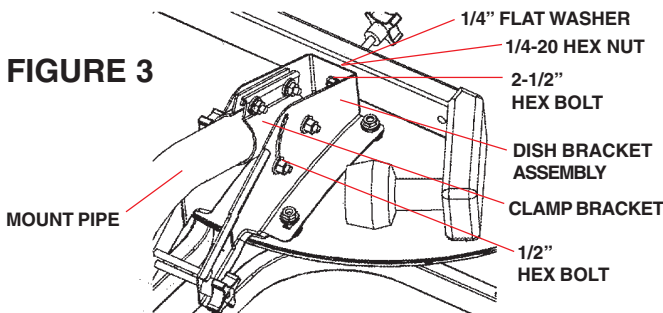
STEP 3. Insert 3-1/2" clevis pin into the top-right hole of the leg as shown in Figure 2. Secure with hair spring cotter.

MOUNT PIPE/DISH BRACKET ASSEMBLY

STEP 4. Line up long bolt inside dish bracket assembly (Figure 4) with the slots on top of the mount pipe.

STEP 5. Secure dish bracket assembly to mount pipe with (2) 1/4-20 x 1" carriage bolts, (2) 1/4" flat washers, and (2) 1/4-20 flanged hex nuts. See Figure 3.

FIGURE 3



STEP 6. Insert 2-1/2" hex bolt from inside dish bracket out through hole on top of dish bracket assembly. Secure with (1) 1/4" flat washer, (1) 1/4-20 hex nut, and 1/4-20 locking knob. **NOTE: The locking knob is used to secure the feed tube when in the storage position.**

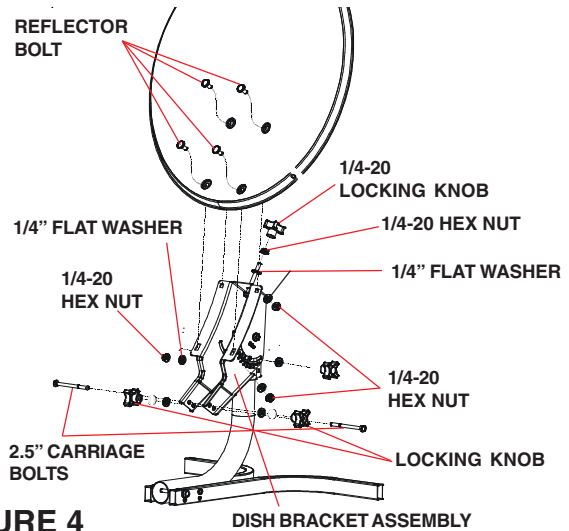


FIGURE 4

STEP 7. Install (1) 1/2" carriage bolt into inside hole of clamp bracket (side opposite of numbers on dish bracket assembly) and secure with 1/4" washer and nut.

Install (1) 1/2" carriage bolt into inside hole of clamp bracket (side with numbers on dish bracket assembly). Insert washer over 1/2" bolt and secure with 1/4-20 locking knob.

NOTE: Stud should be facing outward. For both 1/2" bolts.

DISH ASSEMBLY

STEP 8. Attach reflector using (4) reflector bolts, (4) 1/4" flat washers, (4) 1/4-20 hex nuts. See Figure 4.

LNBF/FEED TUBE ASSEMBLY

(See Figure 5 for steps 9-13)

STEP 9. Feed 5' coax through feed tube and attach to LNBF.

STEP 10. Make sure the square hole is facing up on the feed tube, then attach LNBF to the feed tube using (1) 8-32 x 1-1/4" carriage bolt and using (1) 8-32 hex nut. Tighten enough so that the LNBF is secure.

STEP 11. Insert (2) 1/4-20 x 2.5" carriage bolts (opposite directions) into the bottom two holes of the dish bracket assembly. Insert a washer and a locking knob onto each threaded bolt. **DO NOT tighten at this time.**

STEP 12. Slide feed tube onto carriage bolts and tighten locking knobs.

STEP 13. Attach splicing connector to 5' cable and then attach 20' coaxial cable to splicer. 20' coaxial cable attaches to "SATELLITE IN" on receiver.

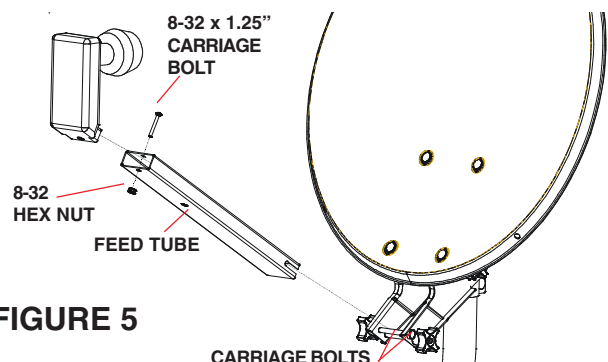


FIGURE 5

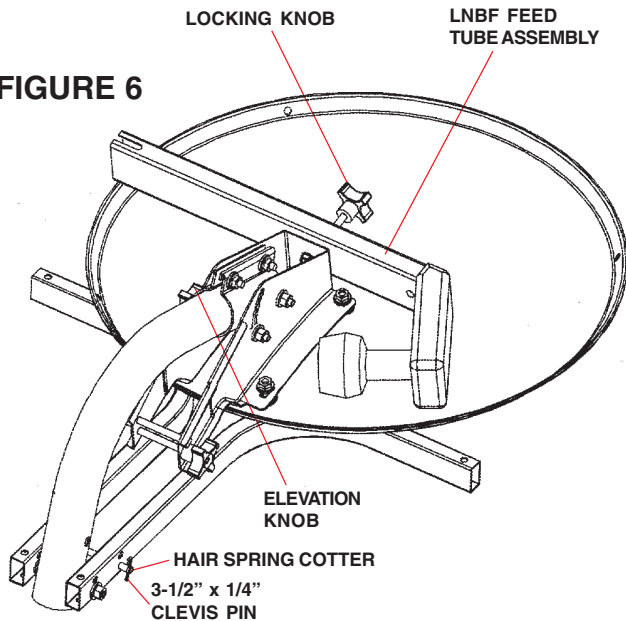
INSTRUCTIONS FOR STORAGE

STEP 1. Disconnect 20' coaxial cable from receiver.

STEP 2. Remove LNBF/feed tube assembly from dish bracket assembly.

STEP 3. Store LNBF/feed tube assembly on top of dish bracket assembly, with LNBF facing downward. Tighten locking knob. See Figure 6.

FIGURE 6



STEP 4. Remove clevis pin and hair spring cotter from legs and loosen elevation locking knob.

STEP 5. Swing legs underneath reflector and tip forward. Insert clevis pin back into original hole and secure with hair spring cotter. Tighten elevation locking knob.

If you require a replacement part, call Winegard Company at 1-800-288-8094 between the hours of 8:00 a.m. and 4:00 p.m. central time, Monday through Friday. Credit card holders only. If you need technical support, call 1-800-788-4417.

INSTRUCTIONS FOR RECEIVING A SIGNAL

STEP 1. After assembling the antenna, make sure it is resting on a flat level surface.

STEP 2. Determine the azimuth (direction) and elevation angle (up/down) by entering your zip code into the appropriate set-up menu on your receiver.

STEP 3. To set the elevation angle (up/down), loosen the knob on the "elevation bolt" and elevate the "dish bracket" to the correct angle shown on the menu screen, by lining up the colored edge on the clamp with the degree marking.

STEP 4. Using a compass, rotate the base **slowly** until the center of the dish faces the desired azimuth angle (direction) shown on the menu screen. **The signal is digital; you must wait a few seconds after each move to allow the receiver to process the signal.**

STEP 5. Adjust azimuth (direction) and elevation (up/down) for strongest signal.

WINEGARD MOBILE PRODUCTS LIMITED WARRANTY

(2 YEARS PARTS; 1 YEAR LABOR)

Winegard Company warrants this product against defects in materials or workmanship for a period of two (2) years from the date of original purchase. During year one (1) of such warranty, Winegard Company will also pay authorized labor costs to an authorized Winegard dealer to repair or replace defective products. No warranty claim will be honored unless at the time the claim is made, Customer presents proof of purchase to an authorized Winegard dealer (to locate the nearest authorized Winegard dealer, contact Winegard Company, 3000 Kirkwood Street, Burlington, Iowa 52601, Telephone 800-288-8094 or visit www.winegard.com). Customer must provide proof of purchase with a dated sales receipt for the Winegard product to verify the product is under warranty. If the date of purchase cannot be verified, the warranty period shall be considered to begin thirty (30) days after the date of manufacture.

If a defect in material or workmanship is discovered, Customer may take the product to an authorized Winegard dealer for service. Customer must provide proof of purchase to verify the product is under warranty. If the product is brought to an authorized Winegard dealer for service prior to expiration of year one (1) of the warranty period and a defect in material or workmanship is verified by Winegard Technical Services, Winegard Company will cover the Winegard dealer's labor charges for warranty service. The Winegard dealer must contact Winegard Technical Services in advance for pre-approval of the service. Approval of the service is at the sole discretion of Winegard Company.

Alternatively, Customer may ship the product prepaid to Winegard Technical Services (located at 3111 Kirkwood Street, Burlington, Iowa 52601, Telephone 800-788-4417). Customer must return the product along with a brief description of the problem and provide Winegard Technical Services with Customer's name, address, and phone number. Customer must also provide proof of purchase to verify the product is under warranty. If the product is returned before the expiration of the warranty period, Winegard Company will (at its option) either repair or replace the product.

This Limited Warranty does not apply if the product has been damaged, deteriorates, malfunctions or fails from: improper installation, misuse, abuse, neglect, accident, tampering, modification of the product as originally manufactured by Winegard in any manner whatsoever, removing or defacing any serial number, usage not in accordance with product instructions or acts of nature such as damage caused by wind, lightning, ice or corrosive environments such as salt spray and acid rain. This Limited Warranty also does not apply if the product becomes unable to perform its' intended function in any way as a result of the television signal provider making any changes in technology or service.

RETURN AUTHORIZATION POLICY

A Return Material Authorization (RMA) is required prior to returning any product to Winegard Company or Winegard Warranty Services under this warranty policy. Please call our Technical Services Department at 800-788-4417 or send an e-mail to warranty@winegard.com to obtain the RMA number. Please furnish the date of purchase when requesting an RMA number. Enclose the product in a prepaid package and write the RMA number in large, clear letters on the outside of the package. To avoid confusion or misunderstanding, a shipment(s) without an RMA number(s) or an unauthorized return(s) will be refused and returned to Customer freight collect.

WINEGARD COMPANY DOES NOT ASSUME ANY LIABILITIES FOR ANY OTHER WARRANTIES, EXPRESS OR IMPLIED, MADE BY ANY OTHER PERSON.

ALL OTHER WARRANTIES WHETHER EXPRESS, IMPLIED OR STATUTORY INCLUDING WARRANTIES OF FITNESS FOR A PARTICULAR PURPOSE AND MERCHANTABILITY ARE LIMITED TO THE TWO YEAR PERIOD OF THIS WARRANTY.

In states that do not allow limitations on implied warranties, or the exclusion of incidental or consequential damages, the above limitations or exclusions do not apply.

Some states do not allow limitations on how long an implied warranty lasts, or the exclusion of limitation of incidental or consequential damages, so the above limitations or exclusions may not apply to you.

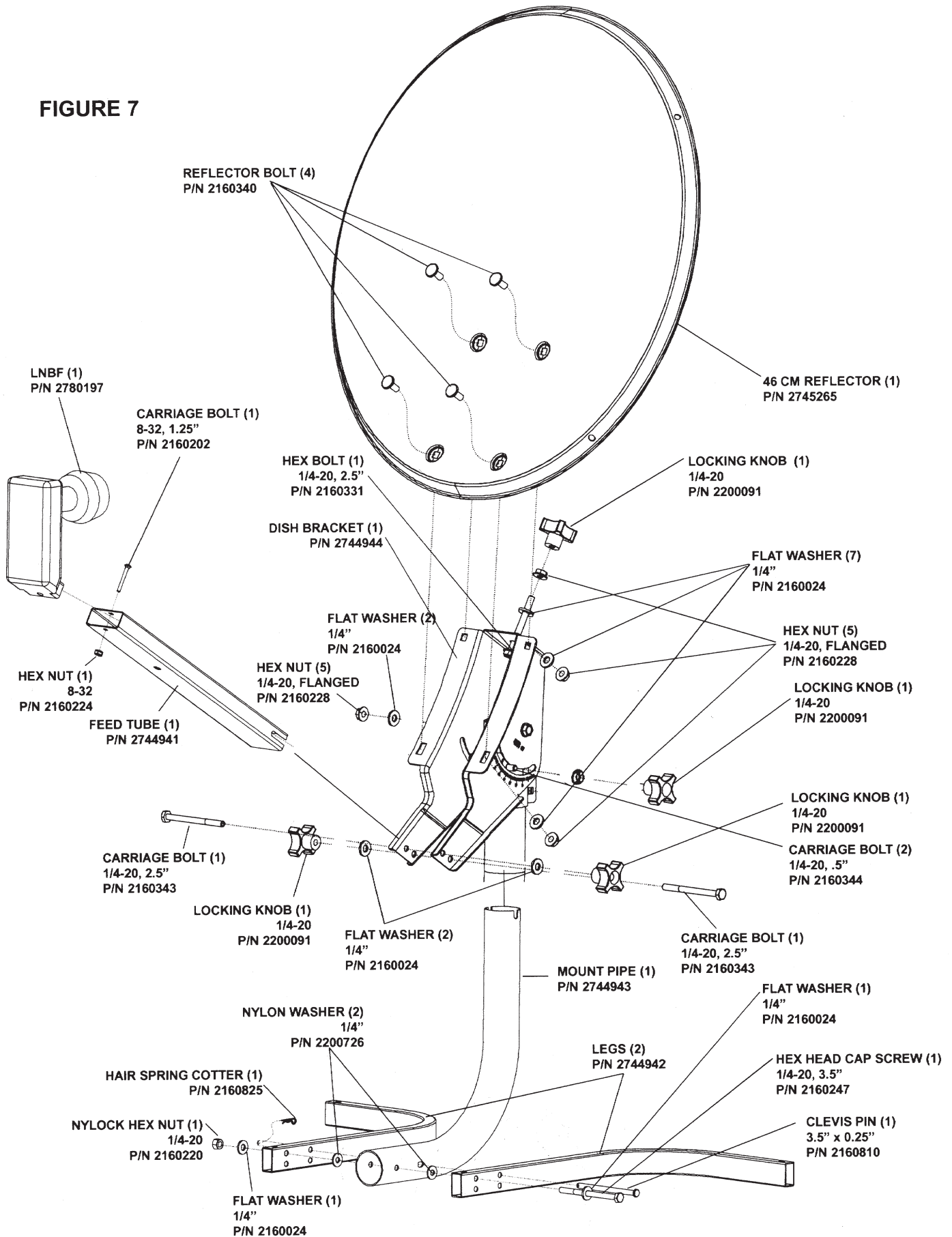
This warranty gives Customer specific legal rights. Customer may also have other rights that may vary from state to state.

SATELLITE RECEIVER WARRANTY

See manufacturer's limited warranty policy.

WS-MOBWARREV2
Rev. 1/10

FIGURE 7



WINEGARD®

Free Manuals Download Website

<http://myh66.com>

<http://usermanuals.us>

<http://www.somanuals.com>

<http://www.4manuals.cc>

<http://www.manual-lib.com>

<http://www.404manual.com>

<http://www.luxmanual.com>

<http://aubethermostatmanual.com>

Golf course search by state

<http://golfingnear.com>

Email search by domain

<http://emailbydomain.com>

Auto manuals search

<http://auto.somanuals.com>

TV manuals search

<http://tv.somanuals.com>