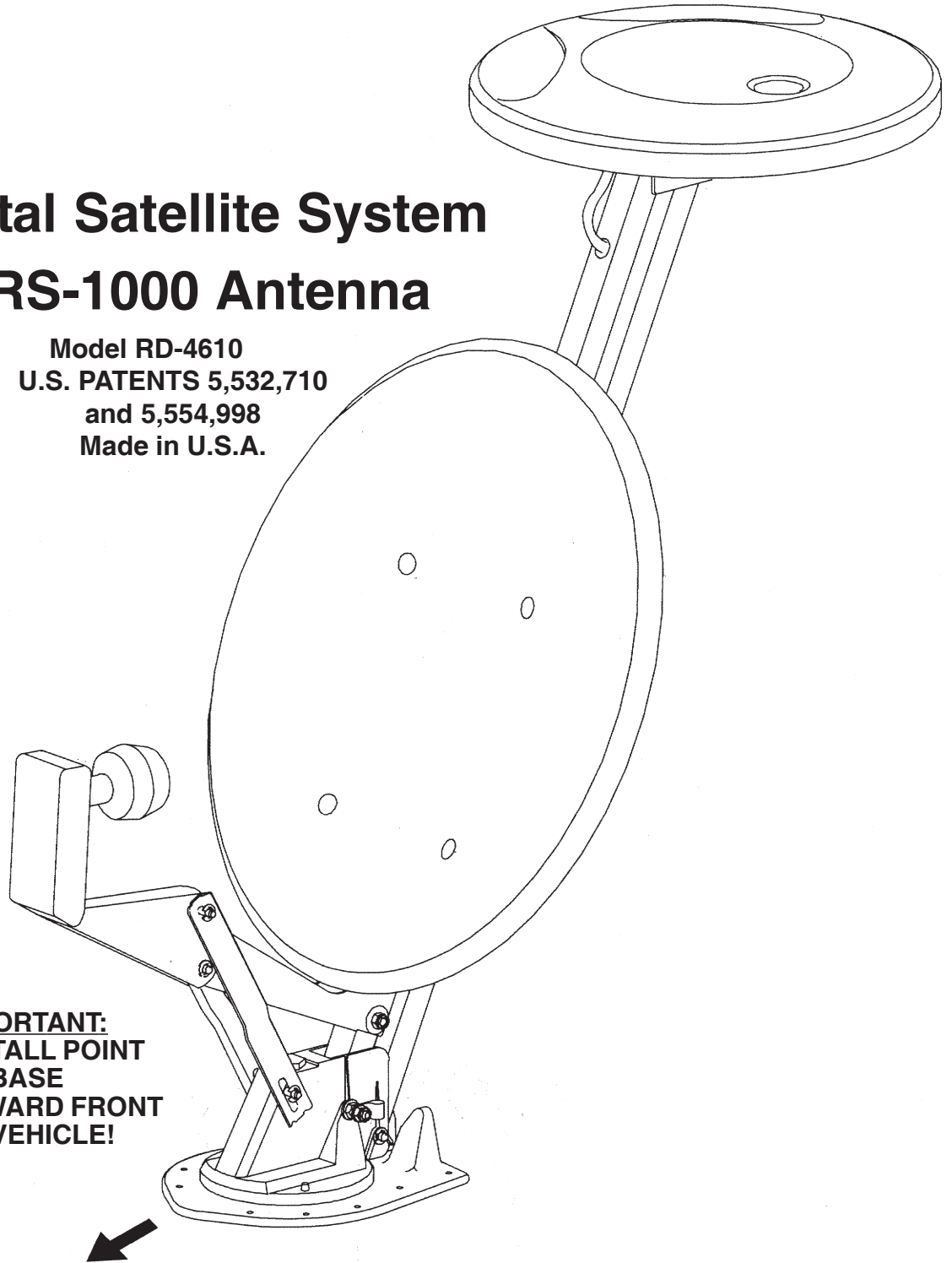


OWNER'S MANUAL
INSTALLATION INSTRUCTIONS
WINEGARD®

**RV Digital Satellite System
with RS-1000 Antenna**

Model RD-4610
U.S. PATENTS 5,532,710
and 5,554,998
Made in U.S.A.



**IMPORTANT:
INSTALL POINT
OF BASE
TOWARD FRONT
OF VEHICLE!**

Winegard Company • 3000 Kirkwood St. • Burlington, IA 52601-2000
319/754-0600 • FAX 319/754-0787
Printed in U.S.A. ©Winegard Company 2001 2451142 Rev. 6/05/01

INSTALLATION & ASSEMBLY

STEP 1. Choose a location for antenna that will allow it to rest in travel position with antenna pointing toward rear of vehicle and raise and rotate without interfering with other roof-mounted equipment. Make sure inside ceiling area is clear where ceiling plate will mount.

NOTE: Figure 1 shows minimum distance (10") antenna should be located from edge of vehicle roof. We recommend you check with your dealer or the manufacturer to see what provisions have been made in the roof for antenna mounting. A reinforced area of roof as well as pre-wire download may be available.

NOTE: *The system must be level for proper operation.* If you have a curved roof you should use a Winegard Model RW-1000 wedge kit to level the system.

STEP 2. Position template on roof (last page of manual) and drill a 1-1/2" hole through roof and ceiling of vehicle. Take care to avoid damage to wiring which may run between roof and ceiling.

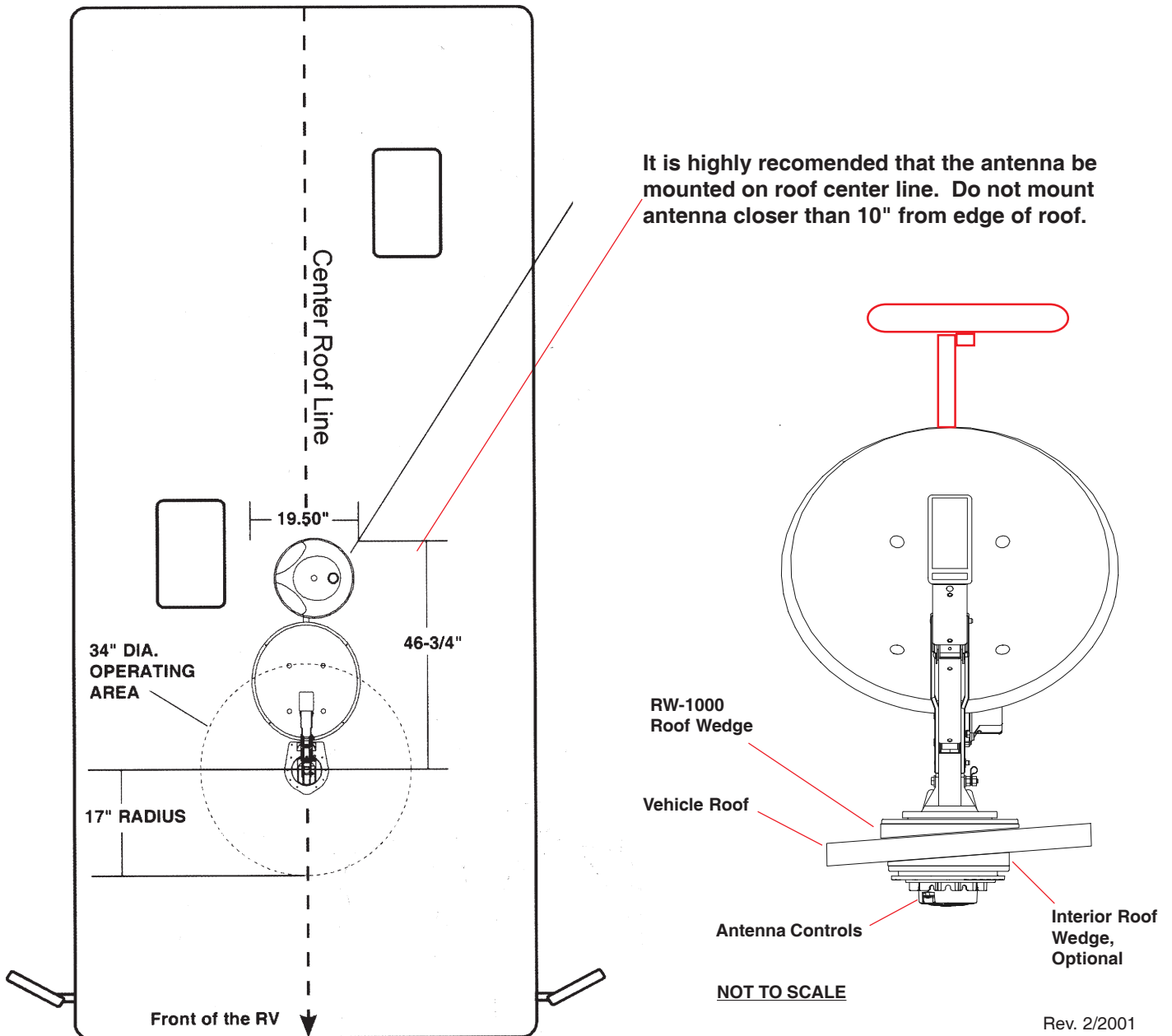


FIGURE 1

STEP 3. Attach reflector to backup assembly as shown in Figure 2.

STEP 4. Attach RS-1000 antenna to elevating tubes, see Figure 2, using the two Eclips and pins provided. Attach coax cable to F-jack on antenna, slide weather boot over boot collar.

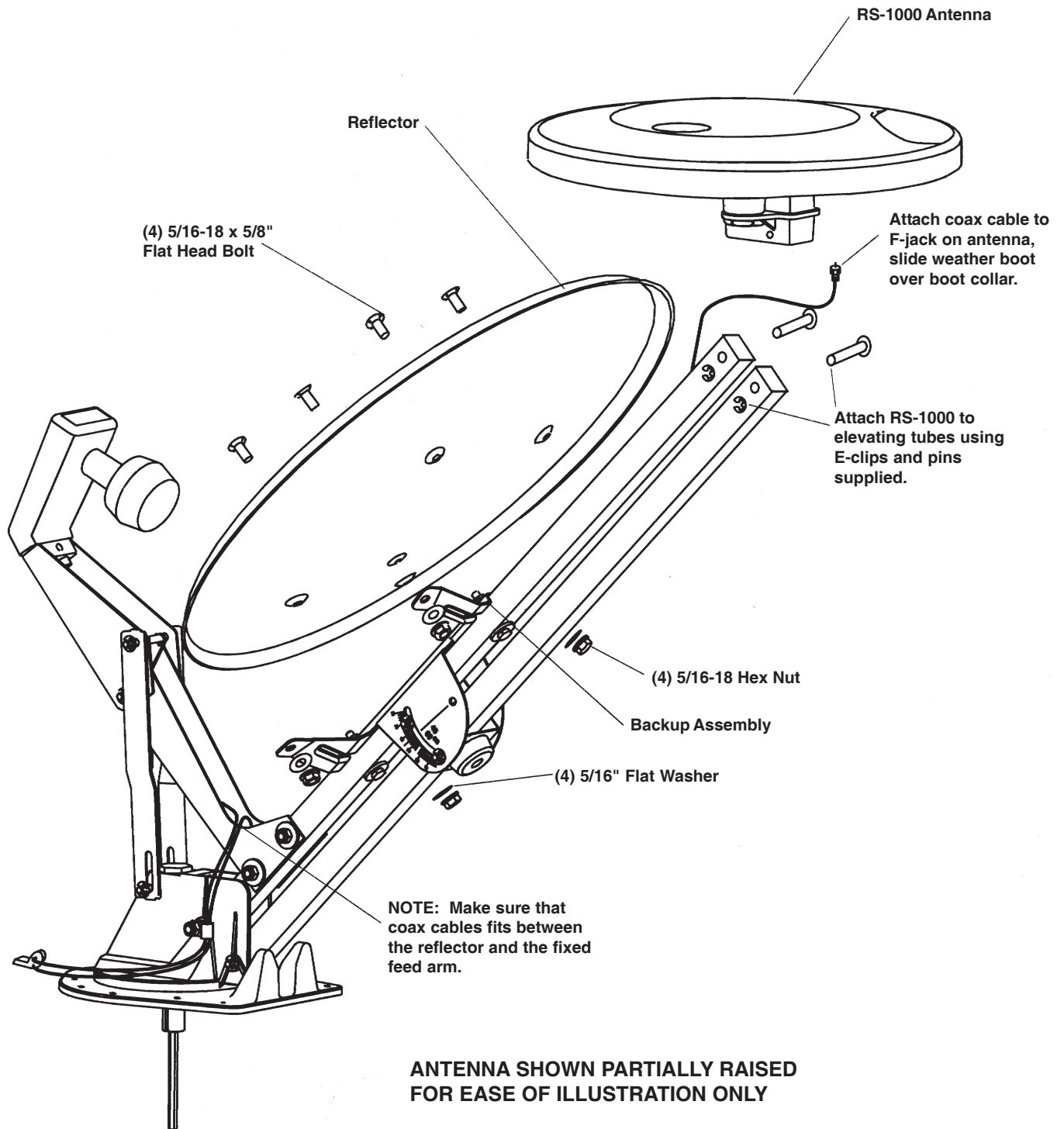
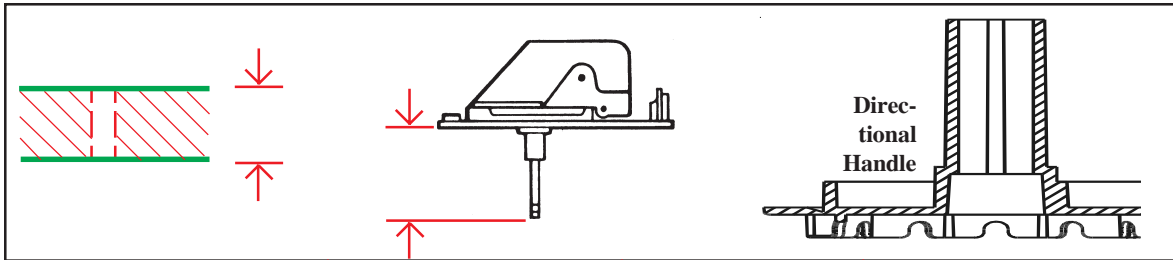


FIGURE 2

STEP 5. The mount is designed to fit roofs 1" to 4 3/4" thick. If roof is less than 4 3/4" thick, cut elevating shaft and directional handle to size. (See table below.) If roof is more than 4 3/4" thick, the RP-2000 Thick Roof Kit is required. See page 15, A for chart.

CAUTION: IF YOU ARE USING THE RW-1000 ROOF WEDGE, ADD 1/2" TO ELEVATING SHAFT LENGTH GIVEN BELOW, BUT NOT TO THE DIRECTIONAL HANDLE.



ROOF THICKNESS	ELEVATING SHAFT LENGTH	W/RW-1000	DIRECTIONAL HANDLE LENGTH
4 3/4"	6 1/4"	RP-4200 req.	5 3/8"
4 1/2"	6"	RP-4200 req.	5"
4 1/4"	5 3/4"	6 1/4"	4 3/4"
4"	5 1/2"	6"	4 1/2"
3 3/4"	5 1/4"	5 3/4"	4 1/4"
3 1/2"	5"	5 1/2"	4"
3 1/4"	4 3/4"	5 1/4"	3 9/16"
3"	4 1/2"	5"	3 3/8"
2 3/4"	4 1/4"	4 3/4"	3 1/16"
2 1/2"	4"	4 1/2"	2 3/4"
2 1/4"	3 3/4"	4 1/4"	2 3/8"
2"	3 1/2"	4"	2 1/16"
1 3/4"	3 1/4"	3 3/4"	1 3/4"
1 1/2"	3"	3 1/2"	1 3/8"
1 1/4"	2 3/4"	3"	1"

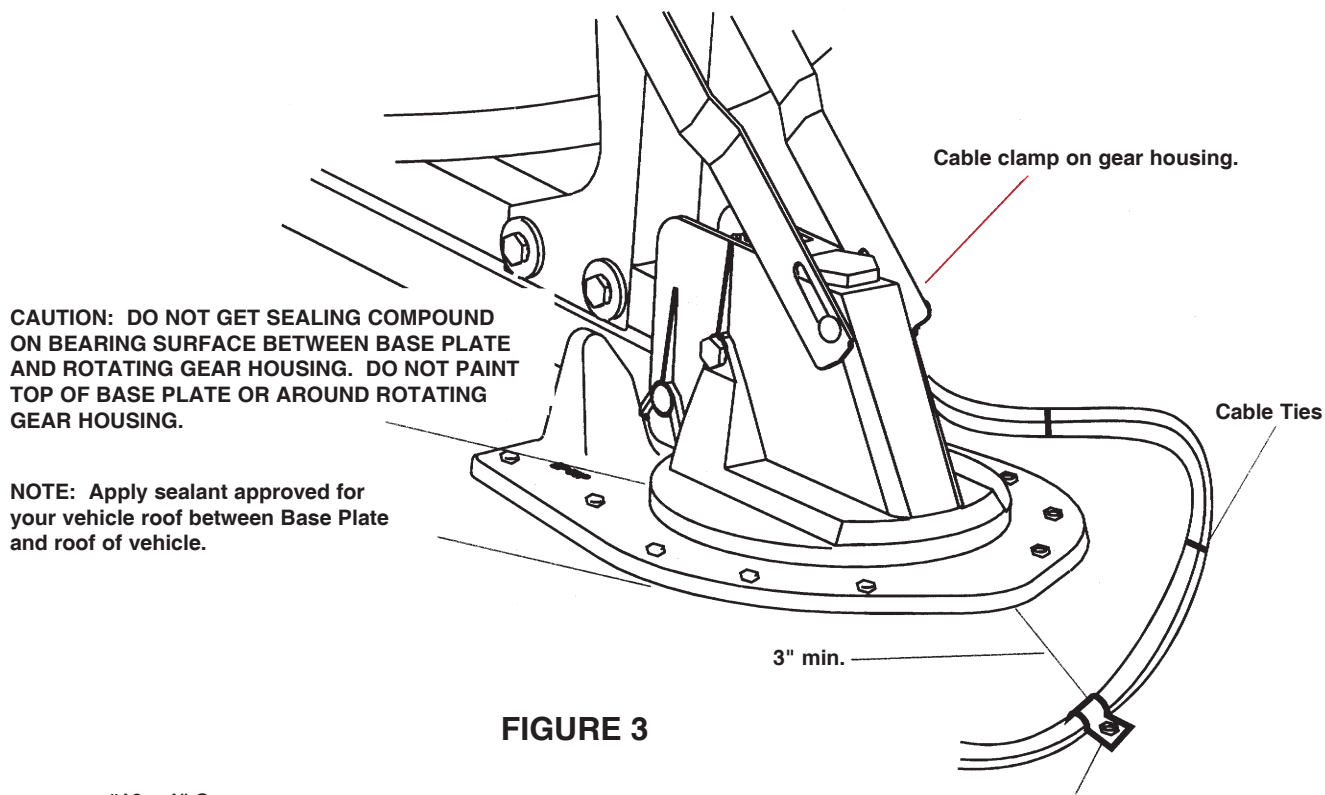
STEP 6. Mount antenna and lift on roof in travel position. Apply approved sealing compound suitable for your vehicle roof on bottom of base plate and roof area around hole. See Figure 3. Secure base plate with screws provided, except for screw indicated in Figure 3*.

STEP 7. Attach cable clamp to the coax cables 16" from the cable clamp on the gear housing.

STEP 8. Attach cable clamp to roof of RV as shown in Figure 3, use 7/16" flat washer between screw and cable clamp, apply sealing compound over mounting screw heads.

STEP 9. Attach satellite antenna coax cable (has "RG-6" printed on it) to the coax cable going to the satellite receiver.

STEP 10. Attach RS-1000 coax downlead (has "RG-59" printed on it) to coax downlead going to RV-0541 power supply. Refer to power supply instruction sheet. You can connect the antenna output from the power supply directly to the satellite receiver (refer to receiver manual). This allows you to watch local channels when you turn the receiver off.

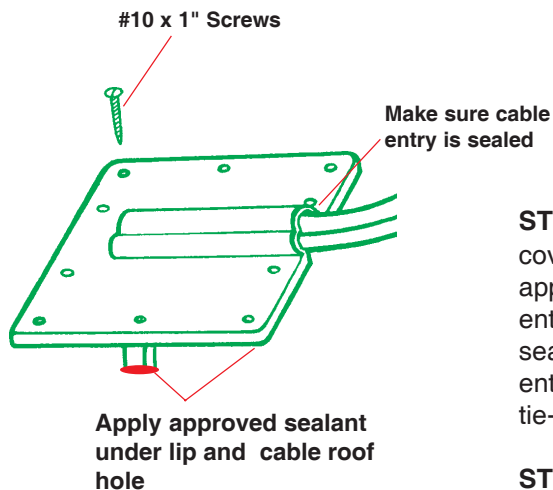


CAUTION: DO NOT GET SEALING COMPOUND ON BEARING SURFACE BETWEEN BASE PLATE AND ROTATING GEAR HOUSING. DO NOT PAINT TOP OF BASE PLATE OR AROUND ROTATING GEAR HOUSING.

NOTE: Apply sealant approved for your vehicle roof between Base Plate and roof of vehicle.

FIGURE 3

Attach cable clamp here. Make sure there are 16" of coax between the cable clamp on the gear housing and the one here 3" in front of base plate. TOO MUCH OR TOO LITTLE WILL CAUSE DAMAGE TO COAX.



STEP 11. Feed downloads through roof using Winegard Model CE-2000 cover plate (included with hardware). **Weatherproof cable entry** by applying approved sealant under lip of roof-thru plate and where cable enters roof. Attach plate to roof with screws provided. Apply approved sealant over screws and around edge of roof-thru plate, making sure cable entry is sealed. Secure cables as necessary to prevent whipping. Use tie-wraps provided to secure cables together.

STEP 12. Connect satellite coax download to satellite receiver, refer to receiver manual on proper connections. **If coax connections are made outside the coach YOU MUST WEATHERPROOF THE CONNECTIONS!**

INSIDE RV

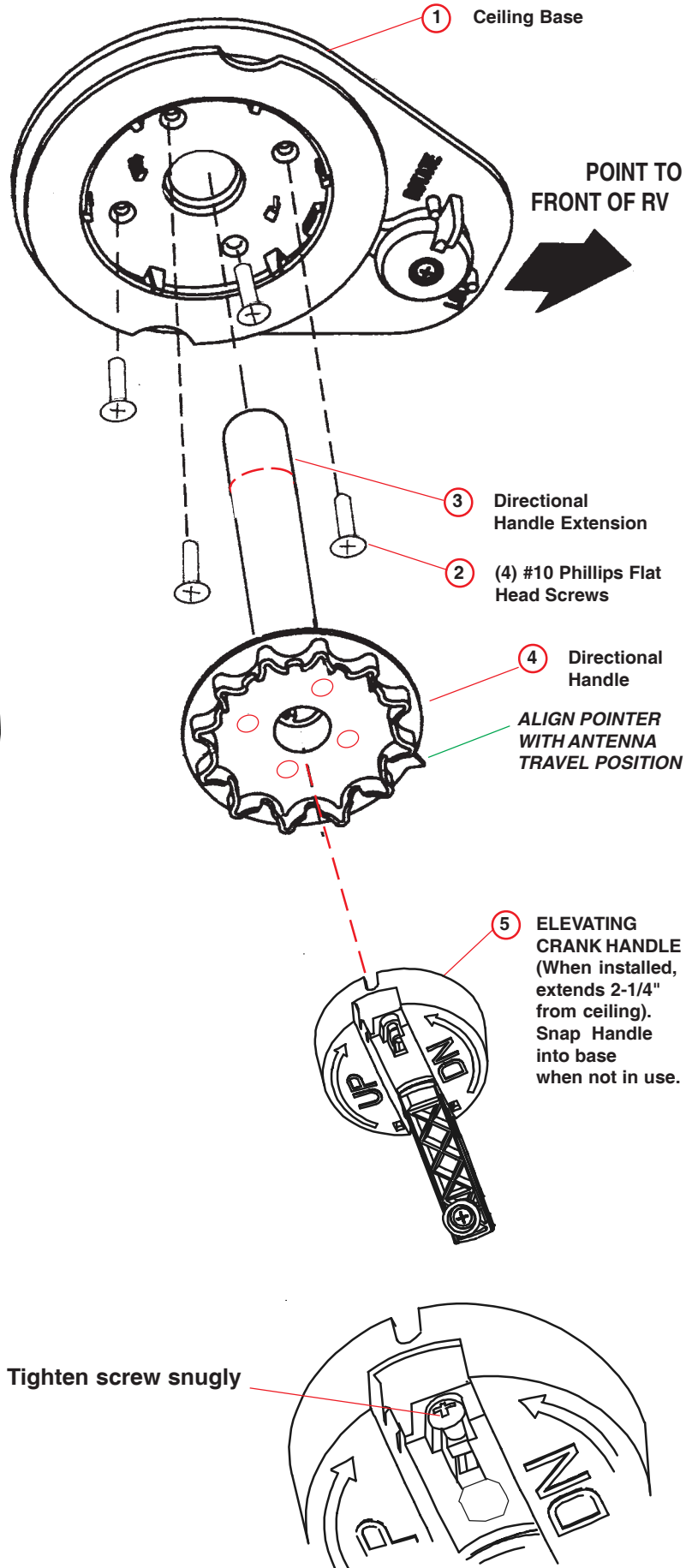
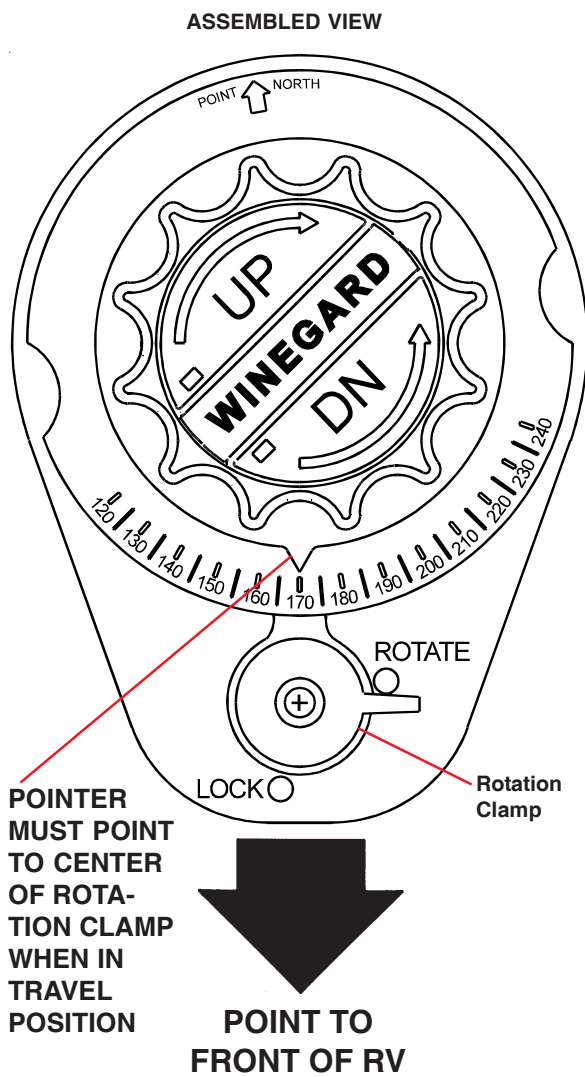
STEP 13. Assemble ceiling plate, directional handle and crank handle as shown in Figure 4. The circled numbers indicate placement from the ceiling down. Example: The ceiling plate (1) is located next to the ceiling. The elevation crank handle (8) is farthest from the ceiling. The number also indicates sequence of assembly.

CAUTION: USE CAUTION WHEN INSTALLING THE ELEVATING CRANK. ONCE SCREW TOUCHES SHAFT, TIGHTEN ONLY 1/4 TURN MORE. SCREW SIMPLY HOLDS ELEVATING CRANK ON. DO NOT OVERTIGHTEN!

CAUTION: After INITIAL INSTALLATION, the antenna SHOULD ROTATE APPROXIMATELY 360 DEGREES FROM TRAVEL POSITION.

The pointer on the **DIRECTIONAL HANDLE** should point towards the **ROTATION CLAMP** when in **TRAVEL POSITION.**

FIGURE 4



OPERATION

STEP 1. Using a compass, determine which direction is North. It is recommended that you step outside to perform this step. Standing in or near coach/RV can give you an incorrect reading. The more accurately you determine North, the easier it will be to find the satellite(s).

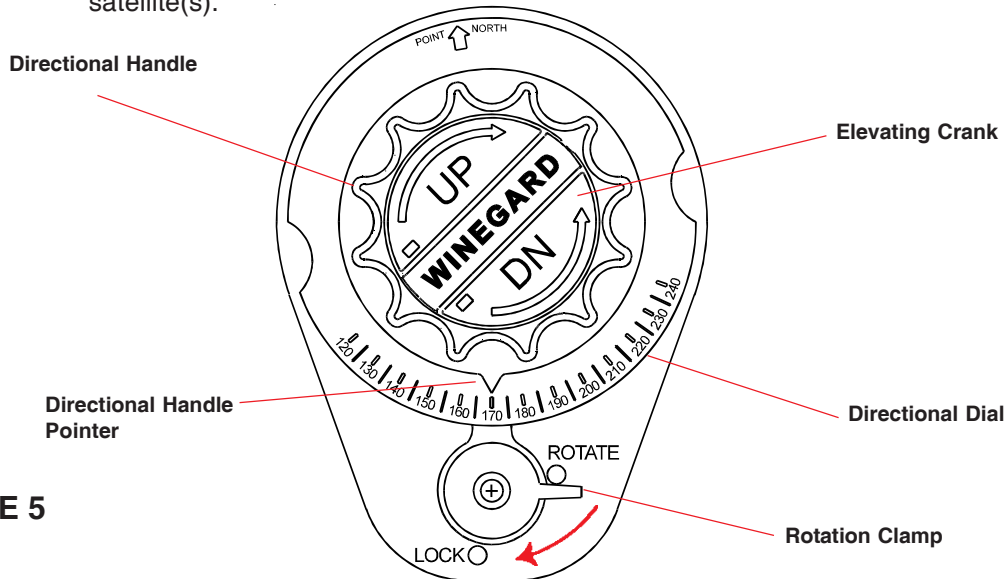


FIGURE 5

STEP 2. Move rotation clamp to the **LOCK** position.

STEP 3. Rotate directional dial (see Figure 5) until the arrow is pointing North.

STEP 4. Unsnap elevation crank and turn (clockwise) **in direction of "UP" arrow**, about 14 - 15 turns or until some resistance is met.

STEP 5. Turn receiver ON, and access installation menus to determine antenna elevation and direction/heading. See receiver owner manual for menu access instructions.

STEP 6. Move rotation clamp to the **ROTATE** position. Turn directional handle until pointer on directional handle is pointing in direction indicated by the receiver. Example: If receiver says point antenna at 145° then rotate directional handle so that pointer is pointing at 145° on the directional dial.

ELEVATION	TURNS CCW
14 - 16°	NONE
17 - 19°	1/2
20 - 22°	1
23 - 26	1-1/2
27 - 29°	2
30 - 32°	2-1/2
33 - 36°	3
37 - 39°	3-1/2
40 - 43°	4
44 - 46°	4-1/2
47 - 50°	5
51 - 53°	5-1/2
54 - 57°	6
58 - 60°	6-1/2
61 - 64°	7
65 - 67°	7-1/2

STEP 7. Refer to table below and turn elevation crank counter clockwise (CCW) the number of turns indicated to get the elevation shown by the receiver. One full turn equals approximately 7° of elevation change.

TUNING ANTENNA FOR BEST PICTURE

STEP 8. Your receiver should indicate it is receiving a signal. To tune your antenna for the best picture, **slowly** move the antenna left, then right until you have found the position that gives the highest signal strength. **It is important to turn the antenna slowly; since the signal is digital the receiver takes a few seconds to lock on.**

STEP 9. Place rotation clamp in the **LOCK** position. This prevents the antenna from moving and losing the signal.

STEP 10. **Slowly** raise then lower the antenna until you have peaked the signal. **You are now ready to watch satellite TV!**

WATCHING OFF-AIR TV

To watch off-air TV (local TV) you must use one of the following options; Use a A-B switch between the receiver and antenna power supply Figure 6), A video switch (Figure 7), Or connect the antenna output from the power supply to the TV ANTENNA input on the receiver (Figure 8). When you turn the receiver off it will automatically switch you over to the off-air signal.

LOWERING ANTENNA TO TRAVEL POSITION

STEP 1. Set rotation clamp to the **ROTATE** position.

STEP 2. Rotate antenna until pointer on directional handle aligns with the rotation clamp.

STEP 3. Turn elevating crank (counter clockwise) **in direction of "DOWN" arrow until resistance is met.** The number of turns will vary according to the elevation angle the antenna was set to.

STEP 4. Move rotation clamp to the **LOCK** position. Antenna is now locked in travel position.

STEP 5. Snap elevation crank into place.

CAUTION: UNDER NO CONDITIONS LOWER ANTENNA IN ANY POSITION EXCEPT TRAVEL POSITION.

DO'S

1. *Do* check parking location for obstructions before raising antenna.
2. *Do* carefully raise, lower and rotate - if difficult, check for cause.
3. *Do* rotate slowly when searching for the satellite(s) and check fine tuning on TV set to make sure it is properly adjusted.
4. **Do lower antenna before moving vehicle.**
5. *Activate* programming by calling programming service for your receiver.

DON'T'S

1. **Don't move RV/coach with the antenna in the UP position. This WILL void your warranty. This may also cause damage to your roof.**
2. *Don't* force elevating crank up or down. Check for cause of trouble.
3. *Don't* rotate directional handle hard against stops.
4. *Don't* apply paint over top of base plate or anywhere on lift.
5. *Don't* apply sealing compound on gear housing.

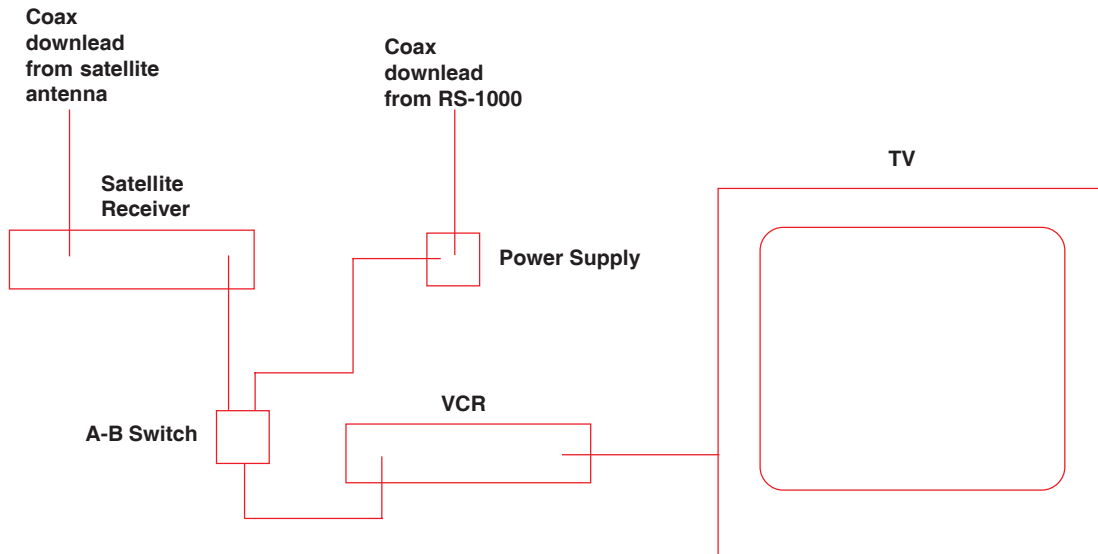


FIGURE 6

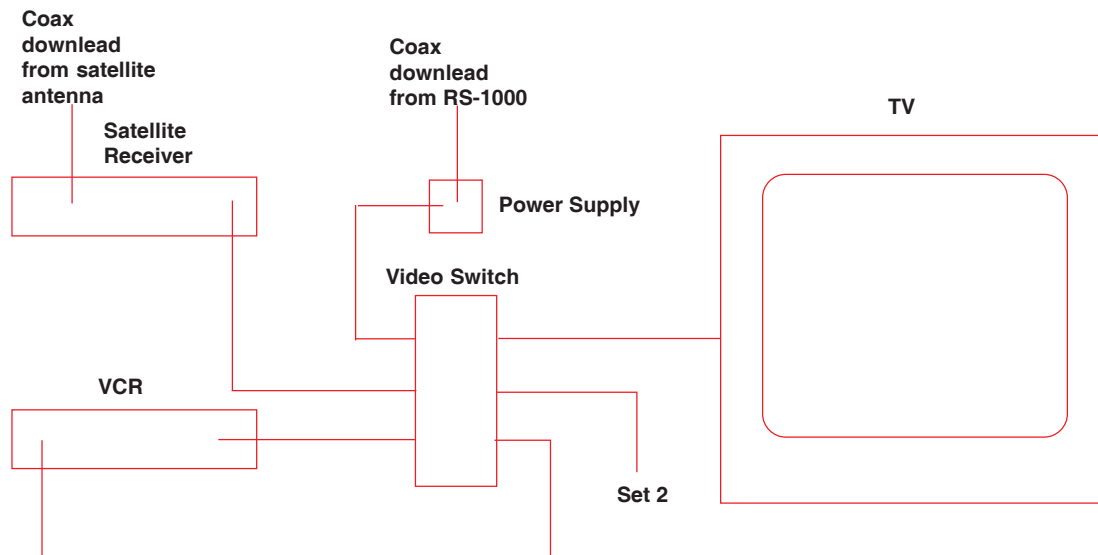


FIGURE 7

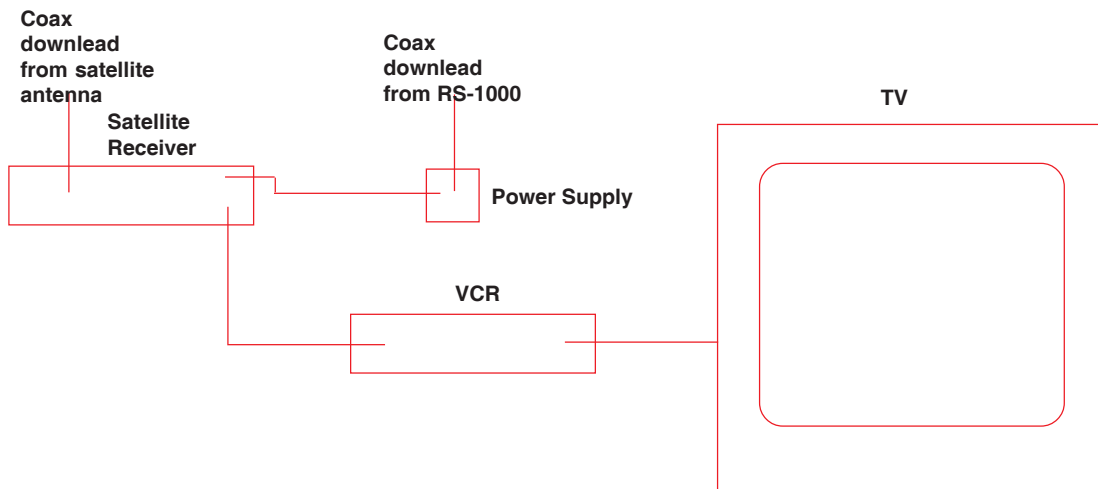


FIGURE 8

MAINTENANCE

MOUNT LUBRICATION

To lubricate the mount, apply a liberal amount of silicone spray lubricant to the elevating gear, the lubricant hole and between the gear housing and baseplate. Run the antenna up/down and rotate the antenna to distribute the lubricant. See Figure 9.

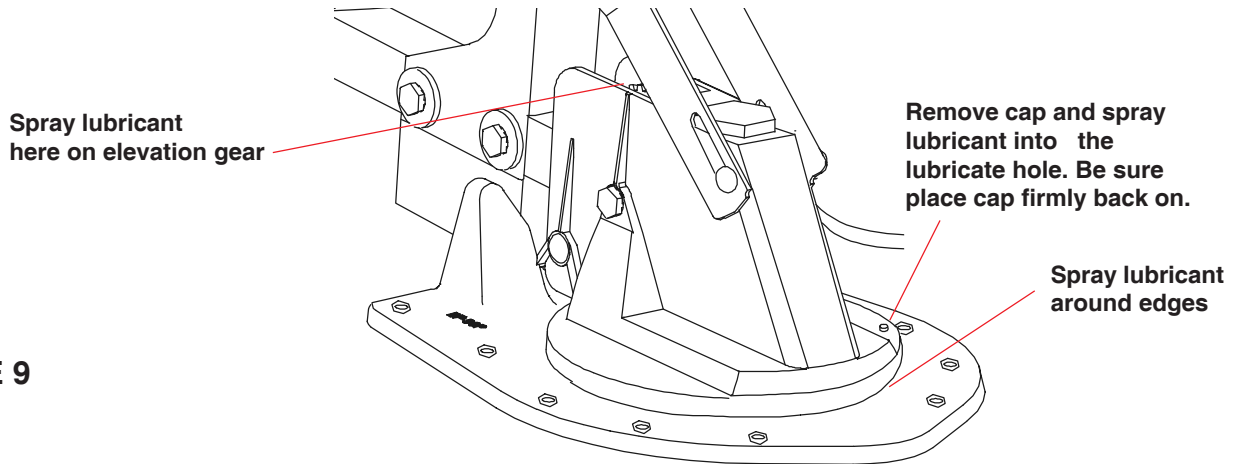


FIGURE 9

LUBRICATING RUBBER QUAD RING

Lubricate rubber quad ring on elevating shaft which is below worm gear with silicone spray lubricant at least **twice yearly** (Figure 10). This will keep quad ring from becoming brittle which could result in leaks down elevating shaft.

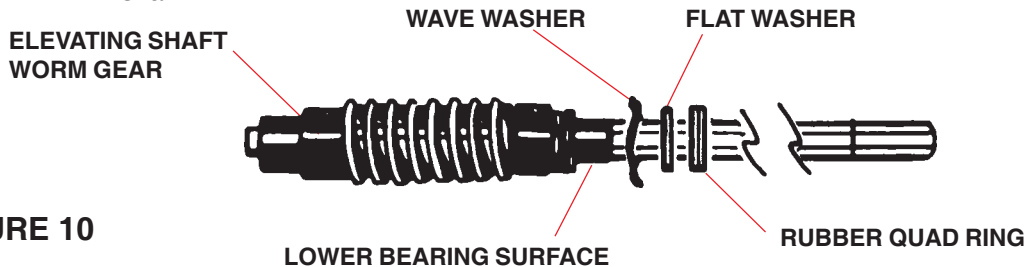


FIGURE 10

ELEVATING SHAFT & WORM GEAR ASSEMBLY REPLACEMENT PROCEDURE

NOTE: It is not necessary to remove rotating gear housing from base plate or remove antenna from roof to replace the shaft & worm gear assembly.

STEP 1. Lower antenna to travel position. Loosen screw on elevating crank, remove crank, spring, directional handle. Parts list page 14.

STEP 2. Remove hex nuts, cable clip, and washer from bolt holding elevating tube in rotating gear housing and remove bolt. Parts list page 12.

STEP 3. Remove worm gear nut from top of rotating gear housing, disengage elevating gear, remove elevating shaft assembly. A, Parts list page 12.

STEP 4. Lubricate worm gear assembly on new elevating shaft assembly with spray silicone lubricant. **Make sure wave washer, flat washer and quad ring are on lower bearing** (Figure 10) and insert assembly in housing.

STEP 5. Reinstall worm gear nut in top of housing. Gears will mesh automatically once elevating crank is turned.

STEP 6. Reinstall bolt, hex nuts, cable clip and washers that hold elevating tube in rotating gear housing.

STEP 7. Replace directional handle, spring and elevating crank. Make sure set screw contacts flat surface on shaft before tightening.

TROUBLE SHOOTING

NO PICTURE

1. Check that you have a clear line of sight to the satellite (no trees, buildings, etc.).
2. Check that you have the TV set tuned for the correct channel 3 or 4 (same channel as output of receiver).
3. Double check that you have entered the correct zip code into the receiver. If zip code is wrong, this can cause you to look in the wrong direction/elevation for the satellite.
4. Check connections at receiver, TV, and antenna.
5. Check TV. Does it receive pictures from off-air TV stations/VCR?
6. Retune system for best picture per procedure on page 7.
7. Inspect antenna. Make sure that it has not been damaged. If antenna is even slightly bent, the receiver may not receive any signal.
8. Contact Dealer or Winegard Service Department.

ANTENNA DOES NOT OR IS HARD TO ROTATE

1. Inspect antenna on roof. Make sure mount has not been damaged.
2. Check for caulking between gear housing and baseplate.
3. Lubricate mount per procedure on page 8.
4. Contact Dealer or Winegard Service Department.

ANTENNA DOES NOT OR IS HARD TO RAISE

1. Inspect antenna on roof. Make sure mount has not been damaged.
2. Check for caulking on elevating shaft.
3. Lubricate elevating shaft per procedure on page 8.
4. Contact Dealer or Winegard Service Department.

WARRANTY REPAIR WORK

Before you have warranty work done on the system, make sure the company/person performing the work has been approved by Winegard Company. If not, contact Winegard Co. (1-800-288-8094) before proceeding. The Winegard warranty covers only the mount, antenna and LNBF. **For receiver warranty, refer to the manufacturers warranty.**

ORDERING REPAIR PARTS

Repair parts are available at many RV dealers and/or service centers throughout the country. Or you can call Winegard Company 1-800-288-8094 (only credit card orders accepted).

ANTENNA/LIFT/LNBF TWO YEAR LIMITED WARRANTY

Winegard Company warrants this Winegard product (excluding receiver) against any defects in materials or workmanship within two (2) years from date of purchase. No warranty claim will be honored unless at the time the claim is made, you present proof of purchase to an authorized Winegard dealer (if unknown, please contact Winegard Company, 3000 Kirkwood Street, Burlington, Iowa 52601-2000, telephone 319-754-0600).

Winegard Company (at its option) will either repair or replace the defective product at no charge to you. This warranty covers parts, but does not cover any costs incurred in removal, shipping or reinstallation of the product. This limited warranty does not apply if the product is damaged, deteriorates, malfunctions or fails from: misuse, improper installation, abuse, neglect, accident, tampering, modification of the product as originally manufactured by Winegard, usage not in accordance with product instructions or acts of nature such as damage caused by wind, lightning, ice or corrosive environments such as salt spray and acid rain.

The Two Year Warranty is provided on the condition that the equipment is properly delivered with all handling and freight charges prepaid to your Winegard dealer for repair or return to our factory at the above address. Winegard dealers will arrange for the replacement or repair and return to you, without charge, the product which failed due to defective material or workmanship.

WINEGARD COMPANY WILL NOT ASSUME ANY LIABILITIES FOR ANY OTHER WARRANTIES, EXPRESS OR IMPLIED, MADE BY ANY OTHER PERSON.

ALL OTHER WARRANTIES WHETHER EXPRESS, IMPLIED OR STATUTORY INCLUDING WARRANTIES OF FITNESS FOR A PARTICULAR PURPOSE AND MERCHANTABILITY ARE LIMITED TO THE TWO YEAR PERIOD OF THIS WRITTEN WARRANTY.

The foregoing shall be the sole and exclusive remedy of any person whether in contract, tort or otherwise, and Winegard shall not be liable for incidental or consequential damage or commercial loss, or from any other loss or damage except as set forth above.

Some states do not allow limitations on how long an implied warranty lasts, or the exclusion of limitation of incidental or consequential damages, so the above limitations or exclusions may not apply to you.

This warranty gives you specific legal rights and you may also have other rights which vary from state to state.

PARTS LIST

(not all parts listed
due to space constraints)

(4) 5/16" Hex Nut
P.N. 2160230

(4) 5/16" Flat Washer
P.N. 2160027

Backup
P.N. 2745348

Digital Elevation
Device, If attached
the 1/4-20 x 1.75 Hex
Bolts are replaced
with 1/4-20 x 2" Hex
Bolts

(2) 1/4" Flat Washer
P.N. 2160039

(4) 1/4-20 Hex Nut,
Nylock P.N. 2160220

(5) E-Clip
P.N. 5160818

46cm (18") Reflector, White
P.N. 2745304

(2) 1/4-20 Hex Nut,
Nylock P.N. 2160220

(4) 1/4" Flat Washer
P.N. 2160039

(2) 1/4-20 X 1.75" Hex
Bolt P.N. 2160238

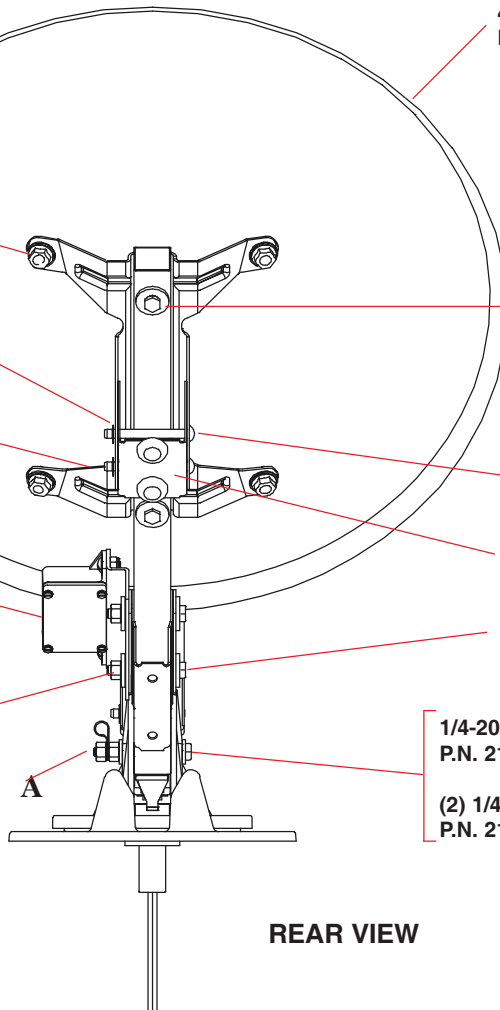
(3) 1/4 x 2-5/16" Pin
P.N. 2160814

Bumper Assembly
P.N. 3750823

(2) 1/4-20 X 1.75"
BOLT
P.N. 2160238

1/4-20 X 2.5" Hex Bolt
P.N. 2160237

(2) 1/4" Flat Washer
P.N. 2160024



Worm Gear Nut
P.N. 2200045

Model RP-3000
Elevating Gear

Aluminum Gear
Housing
P.N. 3100520

Upper Elevating Tube
P.N. 3506032

(10) #10 x 1" Hex
Head Screw P.N.
2160178

Aluminum Baseplate
P.N. 3100524

Lower Elevating Tube
P.N. 3506033

Washer
P.N. 3200657
Retaining Nut
P.N. 2200047
(requires 15/16"
socket wrench)

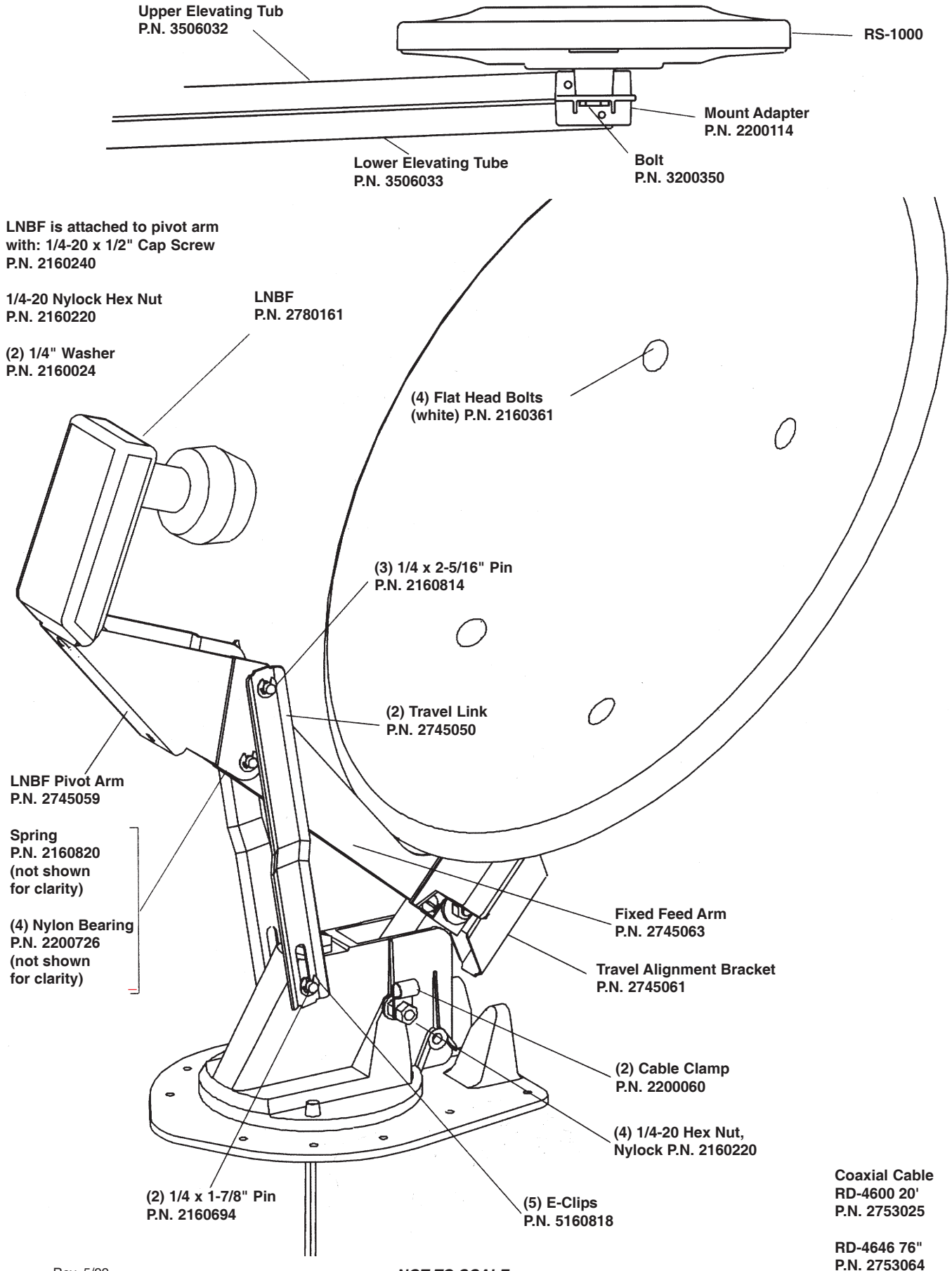
Model RP-4000
Worm Gear &
Retaining Plug
See replacement
procedure on page 8.

Nylon Bearing
P.N. 3200656

Rev 4/98

12

PARTS LIST

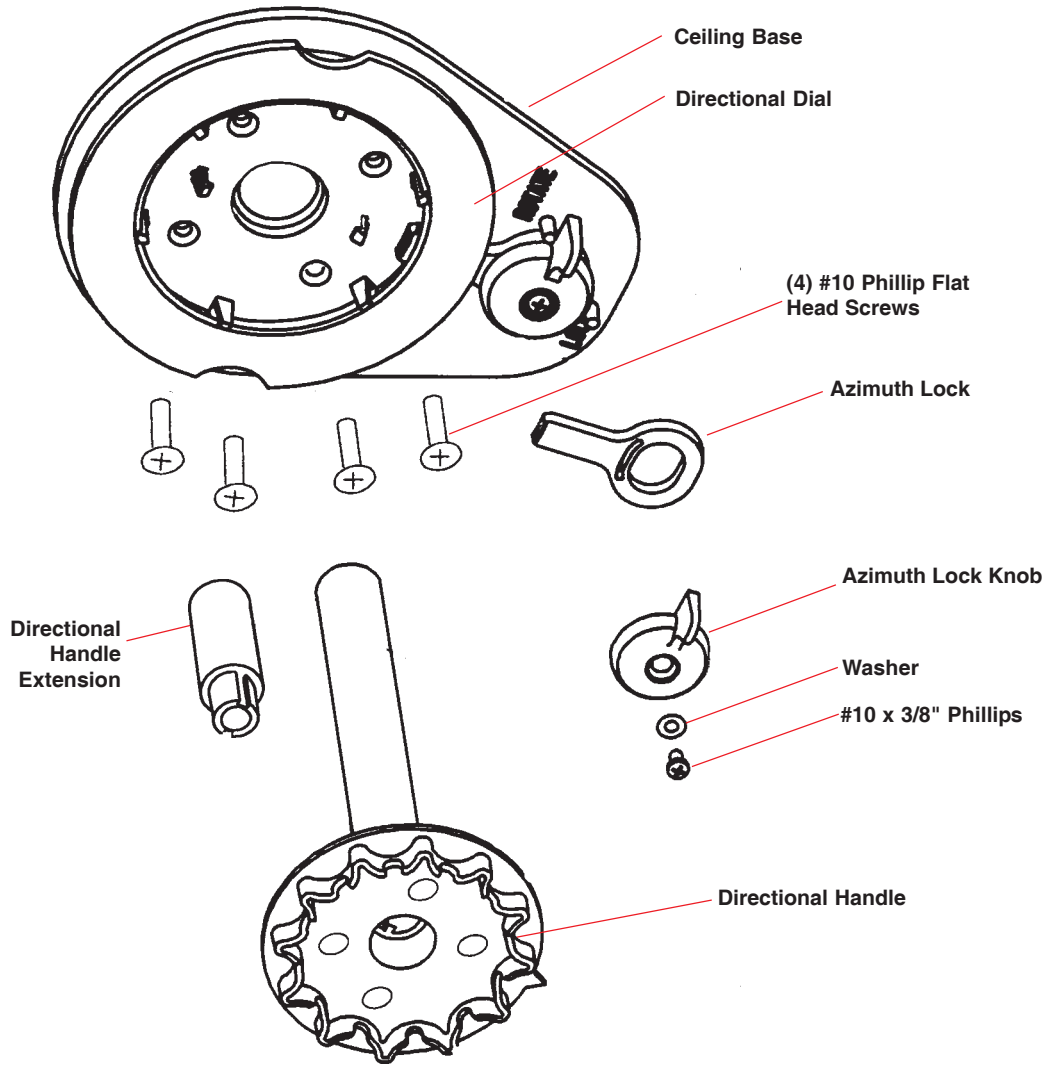


Rev. 5/99

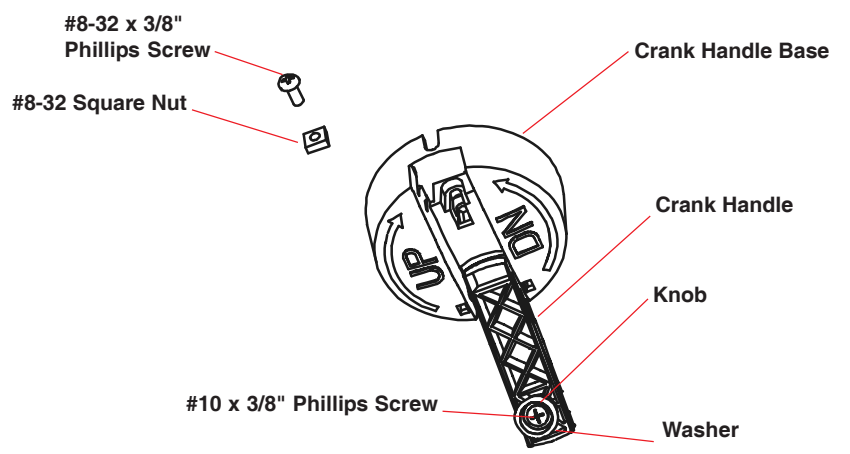
NOT TO SCALE

PARTS LIST

**INTERIOR
HARDWARE KIT
RK-CEIL**



**CRANK HANDLE KIT
RK-HAND**



NOT TO SCALE

SPECIFICATIONS

Height when raised	37" max.
Height in the travel position	12.0" max.
Operating radius	17" (34" diameter circle)
Roof space required	19.5" x 46.75"
LNB	Compatible with DSS® and DISH Network™
Color	White
Satellite antenna height	20.9"
Satellite antenna width	19.5"
F/D	0.59
Offset angle	24°
Frequency range	10.95 - 12.75 GHz
Satellite antenna gain:	
11.2 GHz	33.22 dBi
12.1 GHz	33.89 dBi
12.6 GHz	34.23 dBi
Aperture efficiency	73%
Cross polarization (on axis)	-21 dB
*Beamwidth at -3 dB	3.5°
*Beamwidth at -10 dB	7.0°
RS-100 antenna gain	
VHF	15.5 dB avg.
UHF	19.5 dB avg.
RS-1000 antenna height	3.25"
RS-1000 antenna width	14.5"
Wind loading	Up to hurricane force
Weight	19 lbs. max.
Shipping weight:	21 lbs.

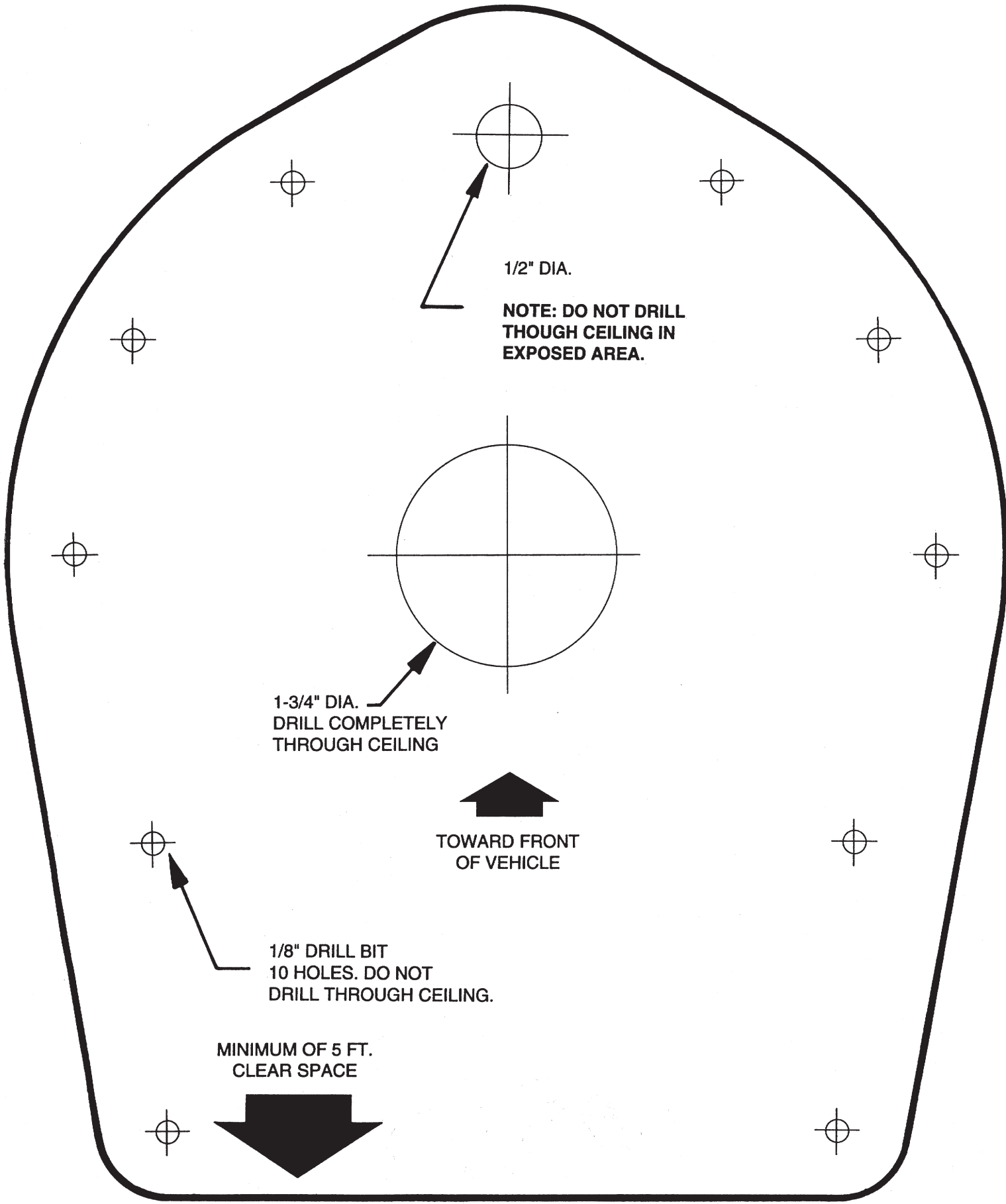
DSS® is a registered trademark of DIRECTV, Inc. a unit of Hughes Electronics Corporation.
DISH Network™ is a trademark and a service mark of EchoStar Communications Corporation.

MODEL RP-4200 THICK ROOF KIT AVAILABLE

Winegard Company makes available Model RP-4200 which includes one directional handle extension and elevating shaft worm gear assembly. The RP-4200 is designed for roofs more than 4 3/4" to 6 3/4" thick. Contact Winegard Company if roof thickness measures more than 6 3/4". Refer to the table below for the correct directional handle and elevating shaft measurements. Remember to glue extensions (PVC glue is recommended) and handle together after checking that you have the correct length.

ROOF THICKNESS	ELEVATING SHAFT LENGTH	W/RW-1000	DIRECTIONAL HANDLE LENGTH	Extension
6 3/4"	8 1/4"	8 3/4"	5 1/8"	2 1/4"
6 1/2"	8"	8 1/2"	7 1/8"	Not Required
6 1/4"	7 3/4"	8 1/4"	6 7/8"	Not Required
6"	7 1/2"	8"	6 5/8"	Not Required
5 3/4"	7 1/4"	7 3/4"	6 3/8"	Not Required
5 1/2"	7 "	7 1/2"	6 1/8"	Not Required
5 1/4"	6 3/4"	7 1/4"	5 7/8"	Not Required
5"	6 1/2"	7"	5 5/8"	Not Required

Rev 1/2001



1/2" DIA.

NOTE: DO NOT DRILL THROUGH CEILING IN EXPOSED AREA.

1-3/4" DIA.
DRILL COMPLETELY THROUGH CEILING

TOWARD FRONT OF VEHICLE

1/8" DRILL BIT
10 HOLES. DO NOT DRILL THROUGH CEILING.

MINIMUM OF 5 FT. CLEAR SPACE

Free Manuals Download Website

<http://myh66.com>

<http://usermanuals.us>

<http://www.somanuals.com>

<http://www.4manuals.cc>

<http://www.manual-lib.com>

<http://www.404manual.com>

<http://www.luxmanual.com>

<http://aubethermostatmanual.com>

Golf course search by state

<http://golfingnear.com>

Email search by domain

<http://emailbydomain.com>

Auto manuals search

<http://auto.somanuals.com>

TV manuals search

<http://tv.somanuals.com>