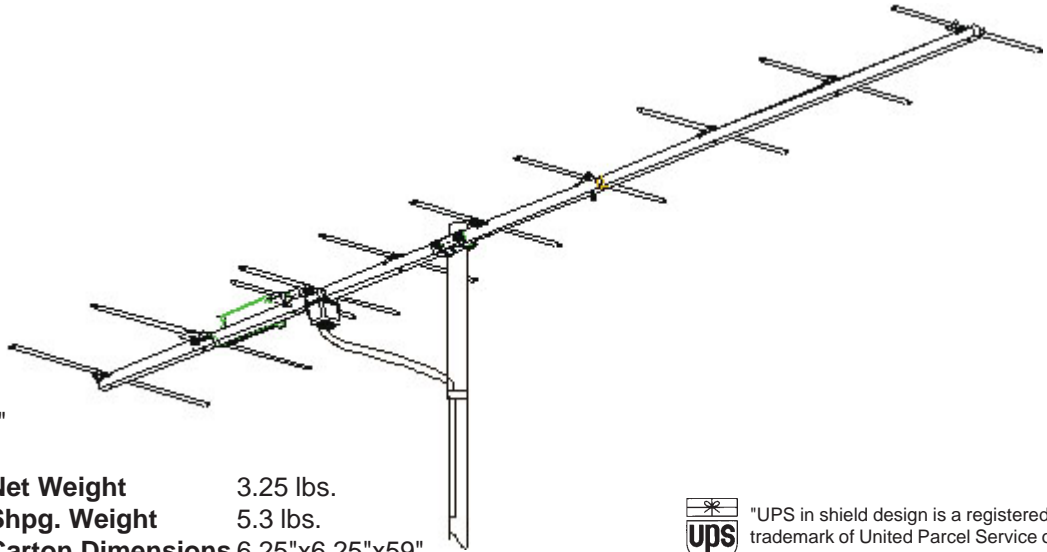


## engineering specifications

Model YA-1713



**Active Elements** 10  
**Boom Length** 99.875"  
**Turning Radius** 61"  
**Maximum Width** 35" **Net Weight** 3.25 lbs.  
**Vertical Height** 3" **Shpg. Weight** 5.3 lbs.  
**Element Diameter** 3/8" **Carton Dimensions** 6.25"x6.25"x59"



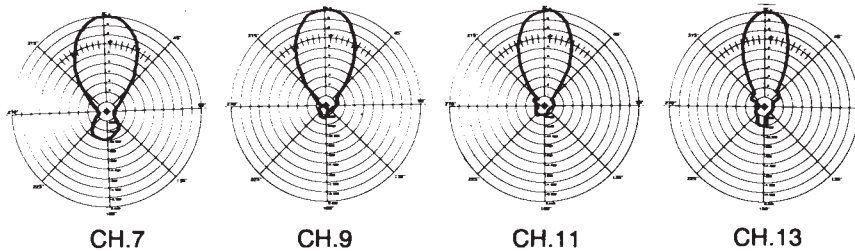
"UPS in shield design is a registered trademark of United Parcel Service of America, Inc. used by permission."

**Output Impedance:** 75 ohm  
**Recommended Preamp:** AP Series

Made in U.S.A.

CHANNEL	CH.7	CH.9	CH.11	CH.13
dB gain over reference dipole	9.1	10	10	10.3
beamwidth at half power points	56°	55°	47°	40°
front-to-back ratio	10.5dB	18dB	19dB	14dB

### POLAR PATTERNS



## Free Manuals Download Website

<http://myh66.com>

<http://usermanuals.us>

<http://www.somanuals.com>

<http://www.4manuals.cc>

<http://www.manual-lib.com>

<http://www.404manual.com>

<http://www.luxmanual.com>

<http://aubethermostatmanual.com>

Golf course search by state

<http://golfingnear.com>

Email search by domain

<http://emailbydomain.com>

Auto manuals search

<http://auto.somanuals.com>

TV manuals search

<http://tv.somanuals.com>