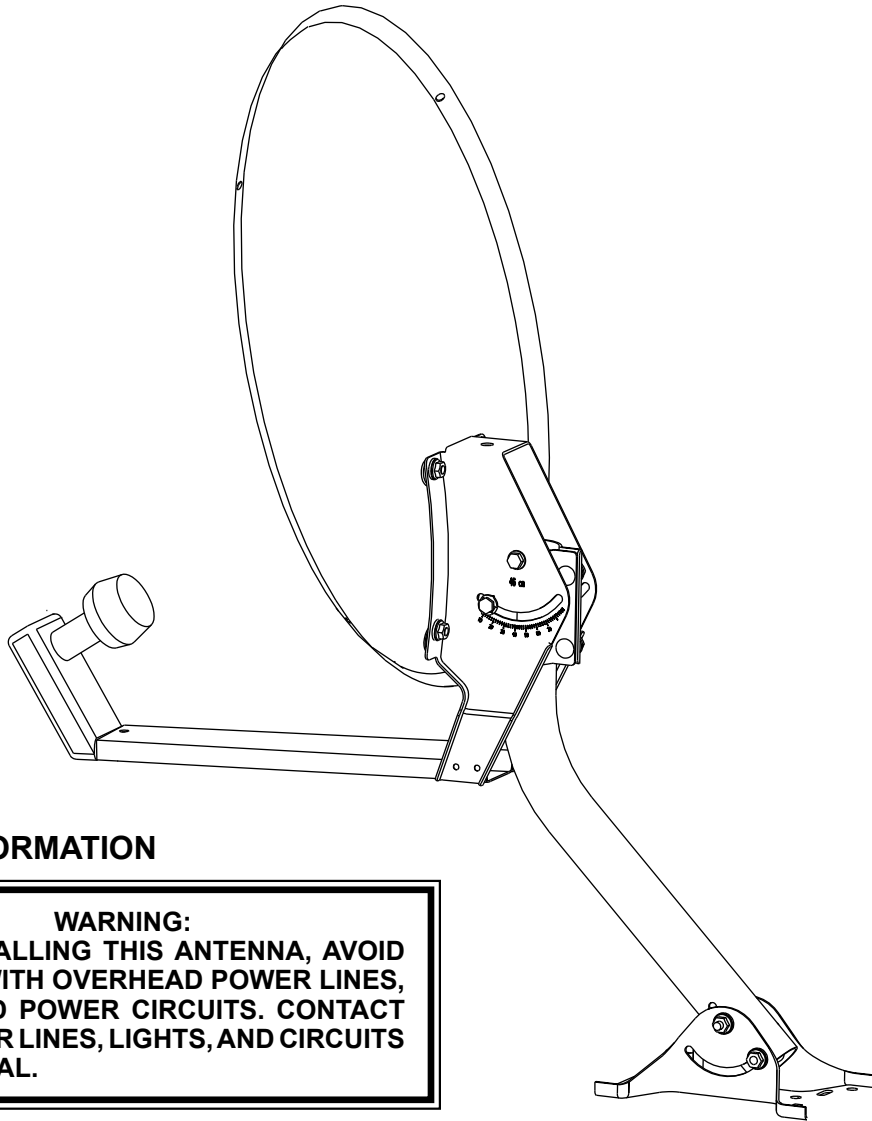


WINEGARD®

HOME DIGITAL SATELLITE ANTENNA

Model DS-4248, DS-3118



SAFETY INFORMATION

WARNING:
WHEN INSTALLING THIS ANTENNA, AVOID CONTACT WITH OVERHEAD POWER LINES, LIGHTS AND POWER CIRCUITS. CONTACT WITH POWER LINES, LIGHTS, AND CIRCUITS MAY BE FATAL.

ANTENNA GROUNDING

The antenna and coax cable that connects to the receiver are required to comply with local installation codes and the appropriate sections of the National Electrical Code (NEC), especially article 820.

MOUNT DISCLAIMER

To insure maximum safety, Winegard recommends no roof or wall installations be attempted without a professional engineer's structural analysis. Local zoning and/or building codes and insurance companies may require architect or structural engineering approval prior to installation. It is the purchaser's responsibility to verify that the above steps are taken.

Inspect the package and confirm that all parts are present. If any parts are missing, please contact Winegard Company at 1-800-288-8094.

PARTS LIST

CODE	QTY	PART #	DESCRIPTION
A	1	2745265	18" (46 cm) Reflector
B	1	2745441	Back-up/Feed Support Assy.
C	not supplied		RG-6 Coaxial Cable
D	1	2745404	Mount Pipe/Roof Bracket
E	1	2780197	Single LNBF Models Only
	1	2780185	Dual LNBF Models Only
	1	2762417	Hardware Package

HARDWARE PACKAGE PART #3762449

CODE	QTY	PART #	DESCRIPTION
[1]	4	2160228	1/4-20 Hex Nut
[2]	4	2160340	1/4-20 x 5/8" Carriage Bolt
[3]	1	2160217	10-32 Flange Hex Nut
[4]	1	2160346	10-32 x 1-1/4" Carriage Bolt

ANTENNA ASSEMBLY

STEP 1. Assemble antenna as shown in Figure 1, except for LNBF and base/tube assembly.

STEP 2. Feed coaxial cable(s) through feed arm as shown in Figure 1.

STEP 3. Attach LNBF to feed arm. See Figure 1.

SITE SELECTION

STEP 1. Using the digital satellite receiver determine your azimuth (direction) and elevation. **Refer to receiver manual to perform this step.**

STEP 2. After you have determined your azimuth and elevation step outside to find the best location for the antenna. You will need a compass and a protractor or another means of determining elevation. Remember that the antenna must have a clear line-of-sight to the satellites. See Figure 2. The satellite signal will NOT travel through buildings, heavy tree cover and other obstructions.

FIGURE 2

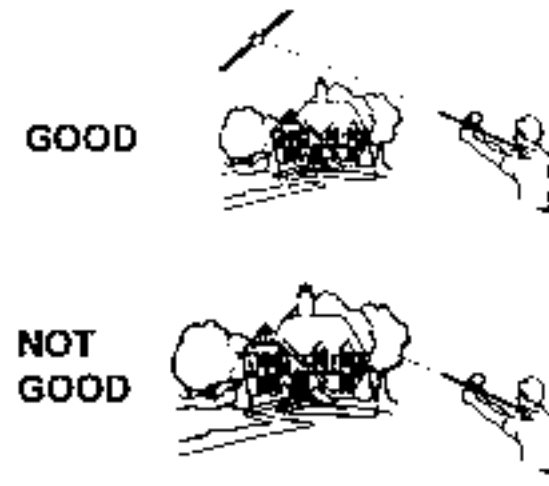
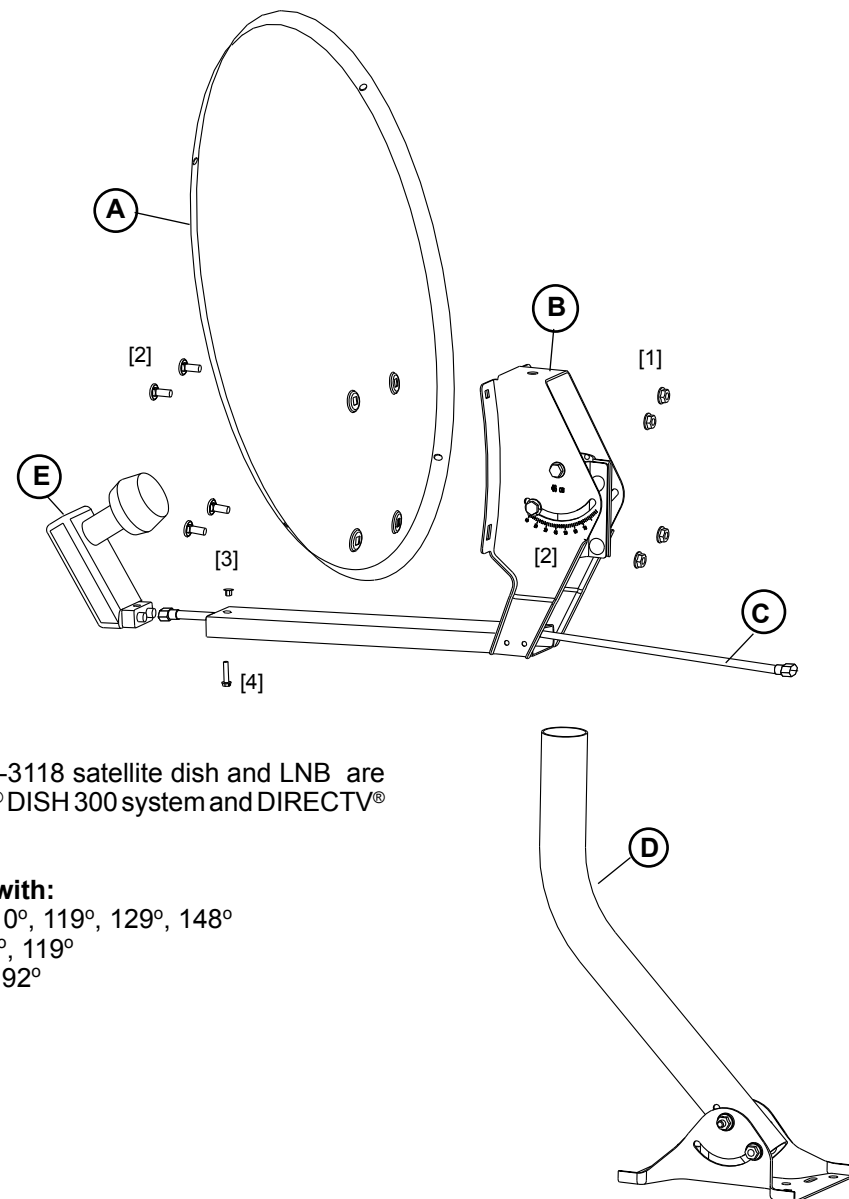


FIGURE 1



NOTE: The DS-4248/DS-3118 satellite dish and LNB are compatible with the DISH® DISH 300 system and DIRECTV® satellite systems.

This unit may be used with:

DISH Satellites: 61.5°, 110°, 119°, 129°, 148°

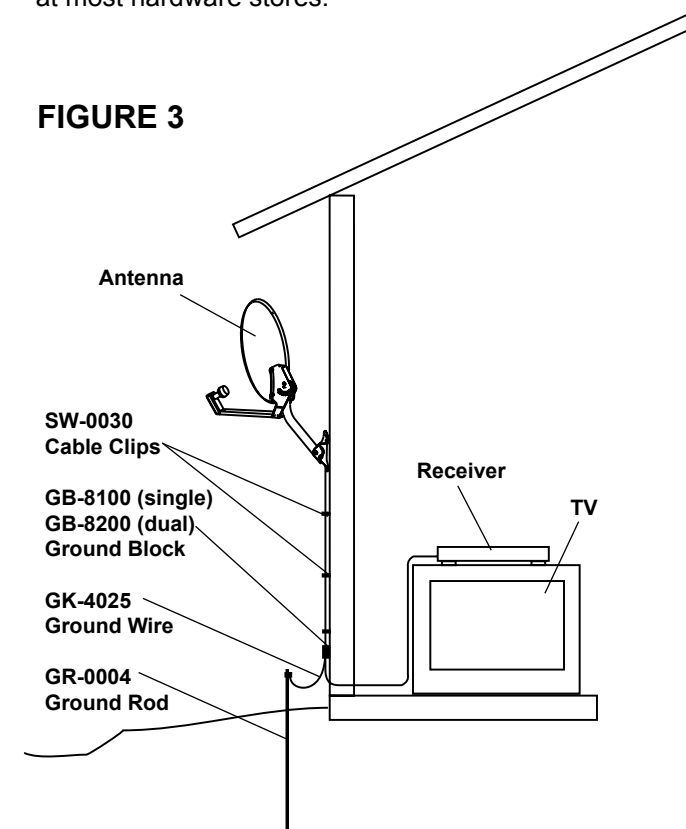
DIRECTV Satellites: 101°, 119°

Bell TV™ Satellites: 82°, 92°

INSTALLATION

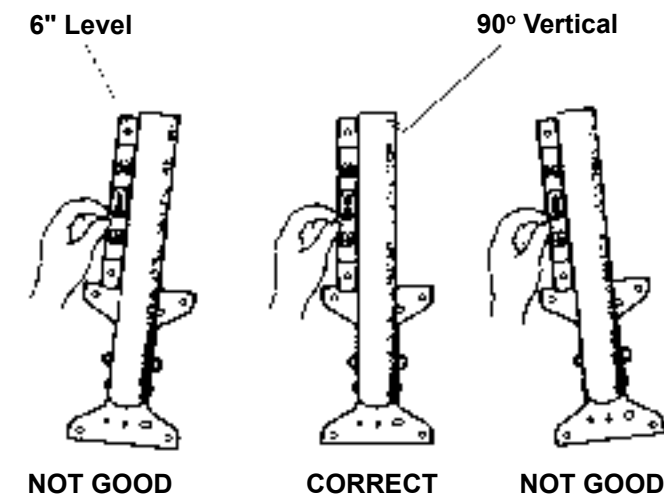
STEP 1. After confirming that you have a clear line-of-sight from where you wish to mount the antenna, you must determine how you are going to mount the antenna and run your coax downlead to your receiver. Figure 3 shows a typical home installation. As indicated in the figure, *you must ground both the antenna and the coax downlead before it enters your home.* You can order all the accessories through Winegard or they can be found at most hardware stores.

FIGURE 3



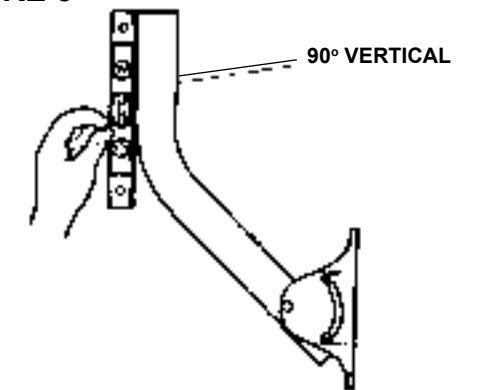
STEP 2. Attach the mount foot to wall (roof, mast, etc.) making sure that the mount foot is vertical (90°). See Figure 4. Attach ground wire to mount foot (wrap wire between bolt/lag screw and mount foot).

FIGURE 4



STEP 3. Adjust mount pipe so that it is plumb vertically. See Figure 5.

FIGURE 5



STEP 4. Set antenna onto mount pipe. See Figure 1.

STEP 5. Feed coaxial cable(s) up through the mount pipe and through the LNBF feed. See Figure 1.

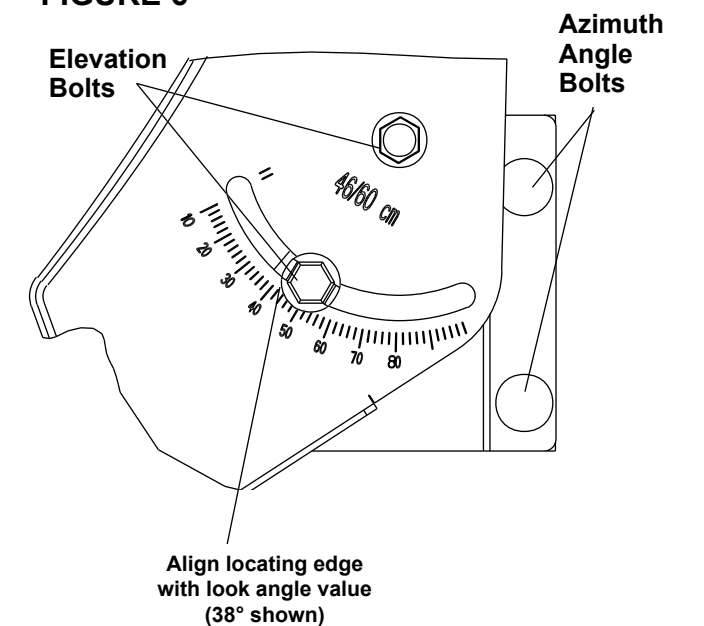
STEP 6. Attach coaxial cable(s) to LNBF. See Fig. 1.

STEP 7. Attach LNBF to antenna. See Figure 1.

STEP 8. Set elevation on antenna; align colored edge of clamp with degree marking. See Figure 6.

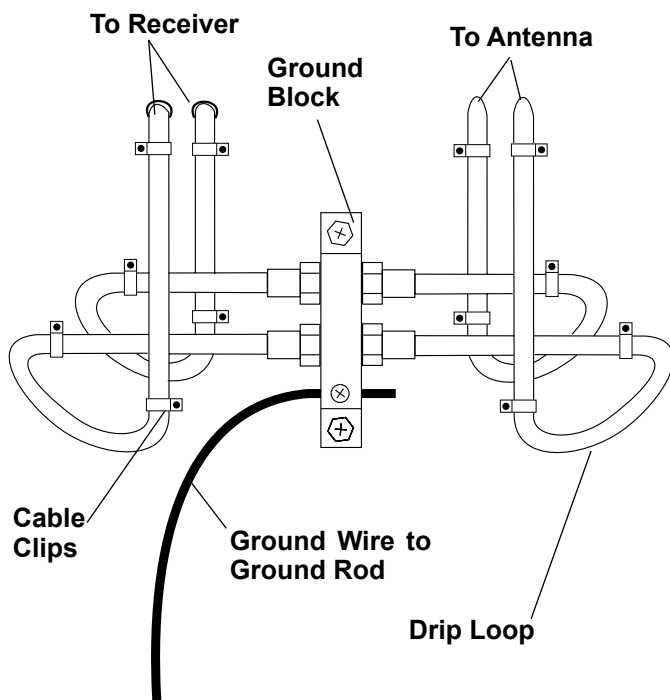
STEP 9. Run coax cable to point where you plan to enter the house. Be sure to secure the cable so that it will not flap in the wind (Cable Clips Model SW-0030 are ideal for this task).

FIGURE 6



STEP 10. Attach coax download(s) to ground block as shown in Figure 7 (dual ground block shown).

FIGURE 7



STEP 11. Attach receiver coax cable to ground block and route to receiver. Be sure to seal coax cable entry into house with an appropriate sealant.

STEP 12. Connect coax cable(s) to receiver. Refer to receiver manual.

TUNING ANTENNA FOR BEST SIGNAL

STEP 1. After connecting the coax cable download(s) to the receiver and grounding both the antenna and coax cable download(s) you are now ready to tune in the antenna. You will want to set up a portable TV set near your antenna to make this task easier.

STEP 2. Access the menu on your receiver that shows signal strength, refer to receiver manual.

NOTE: Remember, the satellite signal is digital. Move the antenna SLOWLY when tuning. This allows the receiver to catch up with the signal.

STEP 3. Using a compass, point antenna in direction indicated by the receiver for your location.

STEP 4. Slowly rotate the antenna in 3° increments left/right until the signal meter is peaked. Tighten the elevation clamp bolts. See Figure 6.

STEP 5. Loosen the elevation bolts and slowly raise/lower antenna in 3° increments until the signal meter is peaked. Tighten the elevation bolts. See Figure 6.

STEP 6. Press clear/quit key until you have a picture. If you do not have a picture you are on the wrong satellite. Double check your elevation and direction and repeat Step 8 on page 3 and Steps 2 through 6 on this page.

STEP 7. Double check ALL nuts/bolts for tightness. Check that coax cable(s) are secure. Check that ground wire is connected to ground rod and secure.

NOTE: To connect your receiver to a phone, refer to receiver manual.

WINEGARD MOBILE PRODUCTS LIMITED WARRANTY (2 YEARS PARTS; 1 YEAR LABOR)

Winegard Company warrants this product against defects in materials or workmanship for a period of two (2) years from the date of original purchase. During year one (1) of such warranty, Winegard Company will also pay authorized labor costs to an authorized Winegard dealer to repair or replace defective products. No warranty claim will be honored unless at the time the claim is made, Customer presents proof of purchase to an authorized Winegard dealer (to locate the nearest authorized Winegard dealer, contact Winegard Company, 3000 Kirkwood Street, Burlington, Iowa 52601, Telephone 800-288-8094 or visit www.winegard.com). Customer must provide proof of purchase with a dated sales receipt for the Winegard product to verify the product is under warranty. If the date of purchase cannot be verified, the warranty period shall be considered to begin thirty (30) days after the date of manufacture.

If a defect in material or workmanship is discovered, Customer may take the product to an authorized Winegard dealer for service. Customer must provide proof of purchase to verify the product is under warranty. If the product is brought to an authorized Winegard dealer for service prior to expiration of year one (1) of the warranty period and a defect in material or workmanship is verified by Winegard Technical Services, Winegard Company will cover the Winegard dealer's labor charges for warranty service. The Winegard dealer must contact Winegard Technical Services in advance for pre-approval of the service. Approval of the service is at the sole discretion of Winegard Company.

Alternatively, Customer may ship the product prepaid to Winegard Technical Services (located at 3111 Kirkwood Street, Burlington, Iowa 52601, Telephone 800-788-4417). Customer must return the product along with a brief description of the problem and provide Winegard Technical Services with Customer's name, address, and phone number. Customer must also provide proof of purchase to verify the product is under warranty. If the product is returned before the expiration of the warranty period, Winegard Company will (at its option) either repair or replace the product.

This Limited Warranty does not apply if the product has been damaged, deteriorates, malfunctions or fails from: improper installation, misuse, abuse, neglect, accident, tampering, modification of the product as originally manufactured by Winegard in any manner whatsoever, removing or defacing any serial number, usage not in accordance with product instructions or acts of nature such as damage caused by wind, lightning, ice or corrosive environments such as salt spray and acid rain. This Limited Warranty also does not apply if the product becomes unable to perform its intended function in any way as a result of the television signal provider making any changes in technology or service.

RETURN AUTHORIZATION POLICY

A Return Material Authorization (RMA) is required prior to returning any product to Winegard Company or Winegard Warranty Services under this warranty policy. Please call our Technical Services Department at 800-788-4417 or send an e-mail to warranty@winegard.com to obtain the RMA number. Please furnish the date of purchase when requesting an RMA number. Enclose the product in a prepaid package and write the RMA number in large, clear letters on the outside of the package. To avoid confusion or misunderstanding, a shipment(s) without an RMA number(s) or an unauthorized return(s) will be refused and returned to Customer freight collect.

WINEGARD COMPANY DOES NOT ASSUME ANY LIABILITIES FOR ANY OTHER WARRANTIES, EXPRESS OR IMPLIED, MADE BY ANY OTHER PERSON.

ALL OTHER WARRANTIES WHETHER EXPRESS, IMPLIED OR STATUTORY INCLUDING WARRANTIES OF FITNESS FOR A PARTICULAR PURPOSE AND MERCHANTABILITY ARE LIMITED TO THE TWO YEAR PERIOD OF THIS WARRANTY.

In states that do not allow limitations on implied warranties, or the exclusion of limitation of incidental or consequential damages, the above limitations or exclusions do not apply.

Some states do not allow limitations on how long an implied warranty lasts, or the exclusion of limitation of incidental or consequential damages, so the above limitations or exclusions may not apply to you.

This warranty gives Customer specific legal rights. Customer may also have other rights that may vary from state to state.

SATELLITE RECEIVER WARRANTY:
See manufacturer's limited warranty policy.

WS-MOBWARREV2
Rev. 1/10

Free Manuals Download Website

<http://myh66.com>

<http://usermanuals.us>

<http://www.somanuals.com>

<http://www.4manuals.cc>

<http://www.manual-lib.com>

<http://www.404manual.com>

<http://www.luxmanual.com>

<http://aubethermostatmanual.com>

Golf course search by state

<http://golfingnear.com>

Email search by domain

<http://emailbydomain.com>

Auto manuals search

<http://auto.somanuals.com>

TV manuals search

<http://tv.somanuals.com>