

HOW TO PROVIDE LIGHTNING PROTECTION FOR TV ANTENNA AND SET

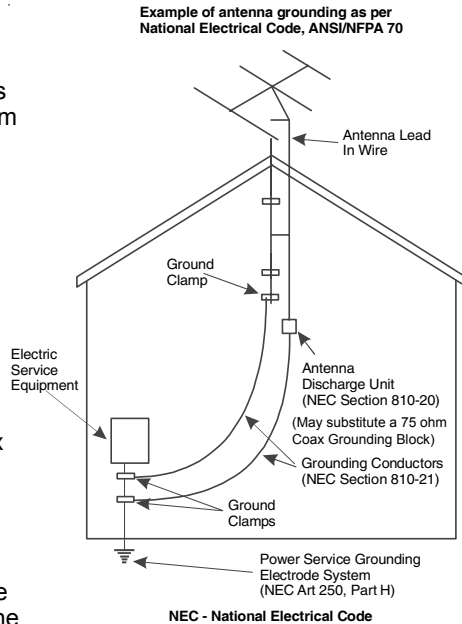
Fig. 10

Step 1. Mount the lightning arrestor or 75 ohm coaxial grounding block as close as possible to where the 75 ohm coaxial cable download enters the house. See Figure 10.

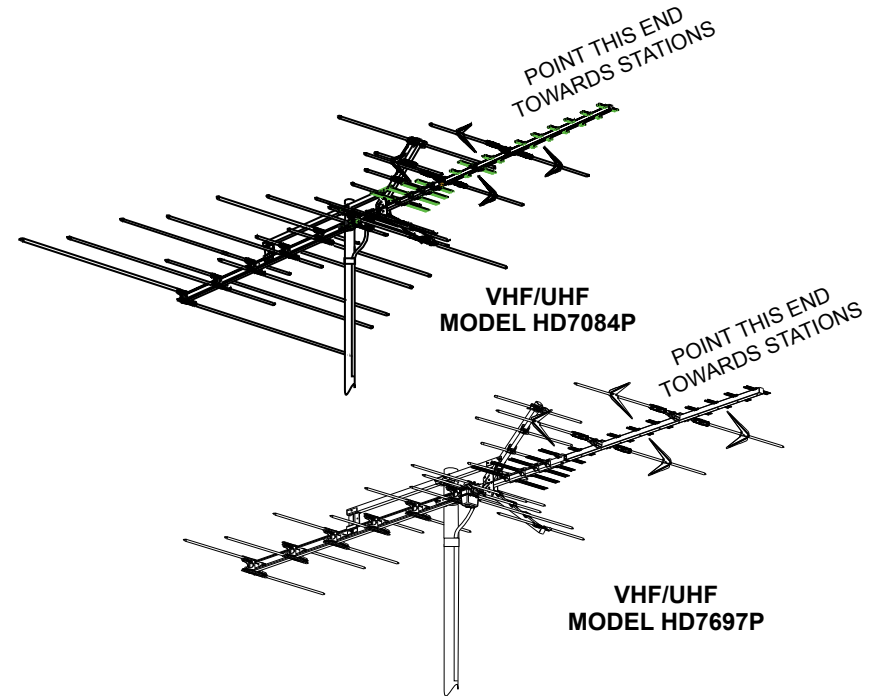
Step 2. The ground wires for both the mast and the download should be copper or aluminum wire, number eight (8) or larger. See Figure 10.

Step 3. The download wire from the antenna to the lightning arrestor and the mast ground wire should be secured to the house with stand-off insulators, spaced from four (4) to six (6) feet apart. See Fig. 10.

NOTE: In the case of a "ground up" antenna installation, it may not be necessary to ground the mast if the mast extends four or more feet into the earth. Consult a TV serviceman for the proper depth in your location.




WINEGARD®
769 Series Antennas
Digital/High Definition
VHF/UHF MODEL
HD7084P & HD7697P



Register your product at winegard.com/myantenna

WARNING
 INSTALLATION OF THIS ANTENNA NEAR POWER LINES IS DANGEROUS.
 FOR YOUR SAFETY, FOLLOW THE INSTALLATION INSTRUCTIONS.

NOTE
 To prevent damage in shipping, the second set of elements from the rear of the boom are folded to the reverse side. You can identify these elements by the tags attached to them. Follow the directions on the tags carefully.

90 DAY LIMITED WARRANTY

Winegard Company warrants this Winegard product against any defects in materials or workmanship within 90 (ninety) days from date of purchase. No warranty claim will be honored unless at the time the claim is made, you present proof of purchase to an authorized Winegard dealer (if unknown, please contact Winegard Company, 3000 Kirkwood Street, Burlington, IA 52601-2000, Telephone 800-288-8094).

Winegard Company (at its option) will either repair or replace the defective product at no charge to you. This warranty covers parts, but does not cover any costs incurred in removal, shipping or reinstallation of the product. This limited warranty does not apply if the product is damaged, deteriorates, malfunctions or fails from: misuse, improper installation, abuse, neglect, accident, tampering, modification of the product as originally manufactured by Winegard, usage not in accordance with product instructions or acts of nature such as damage caused by wind, lightning, ice or corrosive environments such as salt spray and acid rain.

The 90 Day Warranty is provided on the condition that the equipment is properly delivered with all handling and freight charges prepaid to your Winegard dealer for return to our factory for repair or replacement. Winegard dealers will arrange for the replacement or repair and return to you without charge the product which failed due to defective material or workmanship.

WINEGARD COMPANY WILL NOT ASSUME ANY LIABILITIES FOR ANY OTHER WARRANTIES, EXPRESS OR IMPLIED, MADE BY ANY OTHER PERSON.

ALL OTHER WARRANTIES WHETHER EXPRESS, IMPLIED OR STATUTORY INCLUDING WARRANTIES OF FITNESS FOR A PARTICULAR PURPOSE AND MERCHANTABILITY ARE LIMITED TO THE 90-DAY PERIOD OF THIS WARRANTY.

The foregoing shall be the sole and exclusive remedy of any person, whether in contract, tort or otherwise, and Winegard shall not be liable for incidental or consequential damage or commercial loss, or from any other loss or damage except as set forth above.

Some states do not allow limitations on how long an implied warranty lasts, or the exclusion of limitation of incidental or consequential damages, so the above limitations or exclusions may not apply to you.

This warranty gives you specific legal rights and you may also have other rights which vary from state to state.

Rev. 2/08

NOTE:

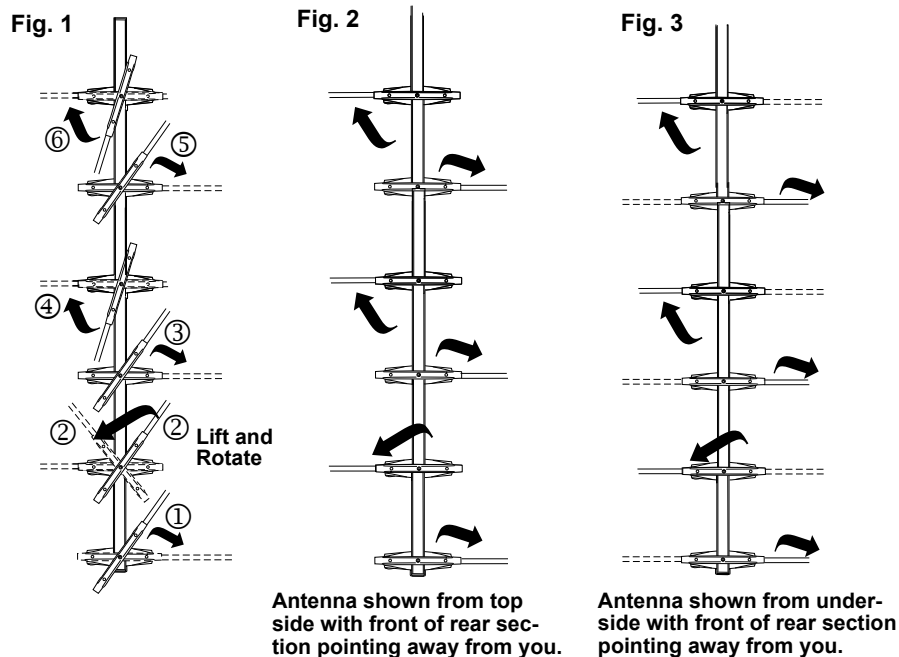
To prevent damage in shipping, the second set of elements from the rear of the boom are folded to the opposite side.

STEP 1. Remove the rear section of antenna from carton (long elements). Lay it on the ground with the end with the plug pointing toward you. Starting with the element nearest you, unfold the first element **CLOCKWISE** about 80° and click to lock position. See Figure 1.

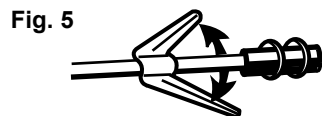
STEP 2. Grasp both ends of the second element from the rear of the boom. Lift the ends of the element just enough to slide over the other elements to the front and rear and **ROTATE ABOUT 100° COUNTER CLOCKWISE** to lock. See Fig. 1.

STEP 3. Unfold the rest of the elements on this side of the antenna to the lock position, being sure to alternate the elements. See Figure 2.

STEP 4. Turn the antenna over and repeat steps 1, 2 and 3. Again lift and rotate the second element just enough to slide over the other elements. See Figure 3.

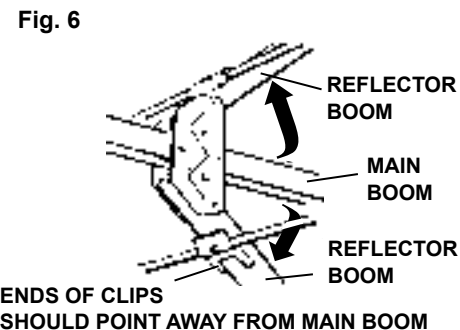


STEP 5. Unfold the elements of the front section of the antenna. The elements should be on the top side of the front section of the antenna. Remove the bolt and hex nut, (see Fig 4) from the tapered end of the front boom and slide the tapered end into the front of the rear boom. The cartridge housing receptacle on the rear section of the antenna is attached to the bottom of the rear boom at the factory. Replace the bolt, and hex nut. Tighten securely.

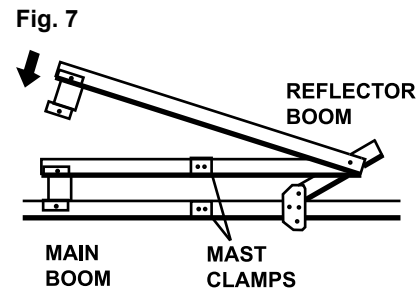


STEP 6. Unfold UHF directors, as shown in Figure 5.

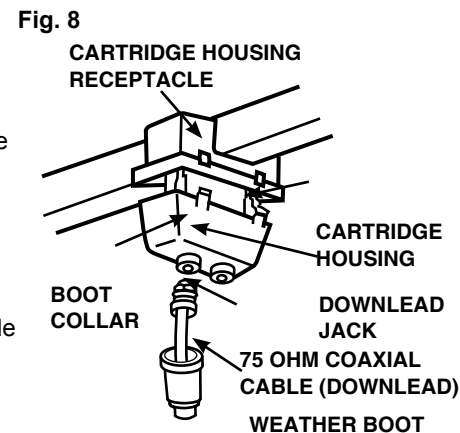
STEP 7. Unfold the reflector booms slowly until they lock in place. Then unfold the elements on the reflector booms. See Figure 6.



STEP 8. To install the boom brace remove the bolts and hex nuts. Attach the boom brace to the reflector boom first, making sure that the mast clamps are on the same side, see Figure 7. Do **not** tighten the bolt and hex nut.



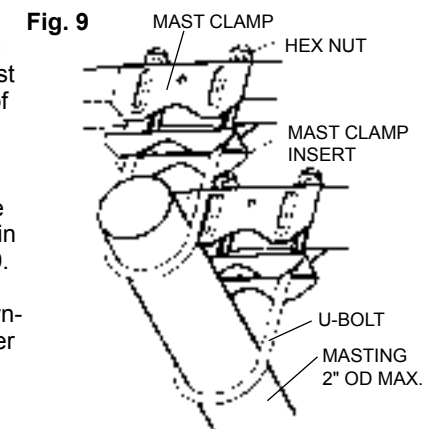
STEP 9. Swing the boom brace down onto the main boom and insert the bolt and hex nut, see Figure 7. Tighten both bolts and hex nuts securely.



STEP 10. To attach the cartridge housing to the antenna, align the snaps on the cartridge housing with the snap holes on the cartridge housing receptacle on the antenna and push the housing into the receptacle until it snaps into place. See Figure 8.

STEP 11. Attach the 75 ohm coaxial cable to the cartridge housing. See Figure 8. Slide weather boot over connector and boot collar.

STEP 12. To mount the antenna on the mast, loosen nuts on the main boom and boom brace mast clamps. Slide both mast clamps over the mast pointing the front of the antenna (small end) towards stations and tighten the boom brace mast clamp securely. Let the main boom mast clamp slide down the mast until the boom brace supports the main boom. Tighten the main boom mast clamp securely. See Figure 9.



STEP 13. The 75 ohm coaxial cable downlead may be secured to the mast by either taping it or use of plastic wire ties.

Free Manuals Download Website

<http://myh66.com>

<http://usermanuals.us>

<http://www.somanuals.com>

<http://www.4manuals.cc>

<http://www.manual-lib.com>

<http://www.404manual.com>

<http://www.luxmanual.com>

<http://aubethermostatmanual.com>

Golf course search by state

<http://golfingnear.com>

Email search by domain

<http://emailbydomain.com>

Auto manuals search

<http://auto.somanuals.com>

TV manuals search

<http://tv.somanuals.com>