

WINEGARD®

Model TR-3500 Tripod Mount

Model TR-3500 is assembled, and includes a carry/storage bag, stakes, bubble level and compass.

Remove contents from carton. Put stakes in appropriate pocket on the storage bag. Place compass and level in small pocket.

1. Set up tripod in an area with a clear view of the sky — south west or south-southeast, depending on your location in the continental U.S.
2. Place bubble level on top of mount pipe and use adjustable legs to level. After leveling, remove bubble level.
3. Slide satellite antenna onto pole and secure on pole. Use ground stakes to stabilize mount if necessary.

ELEVATION ANGLE

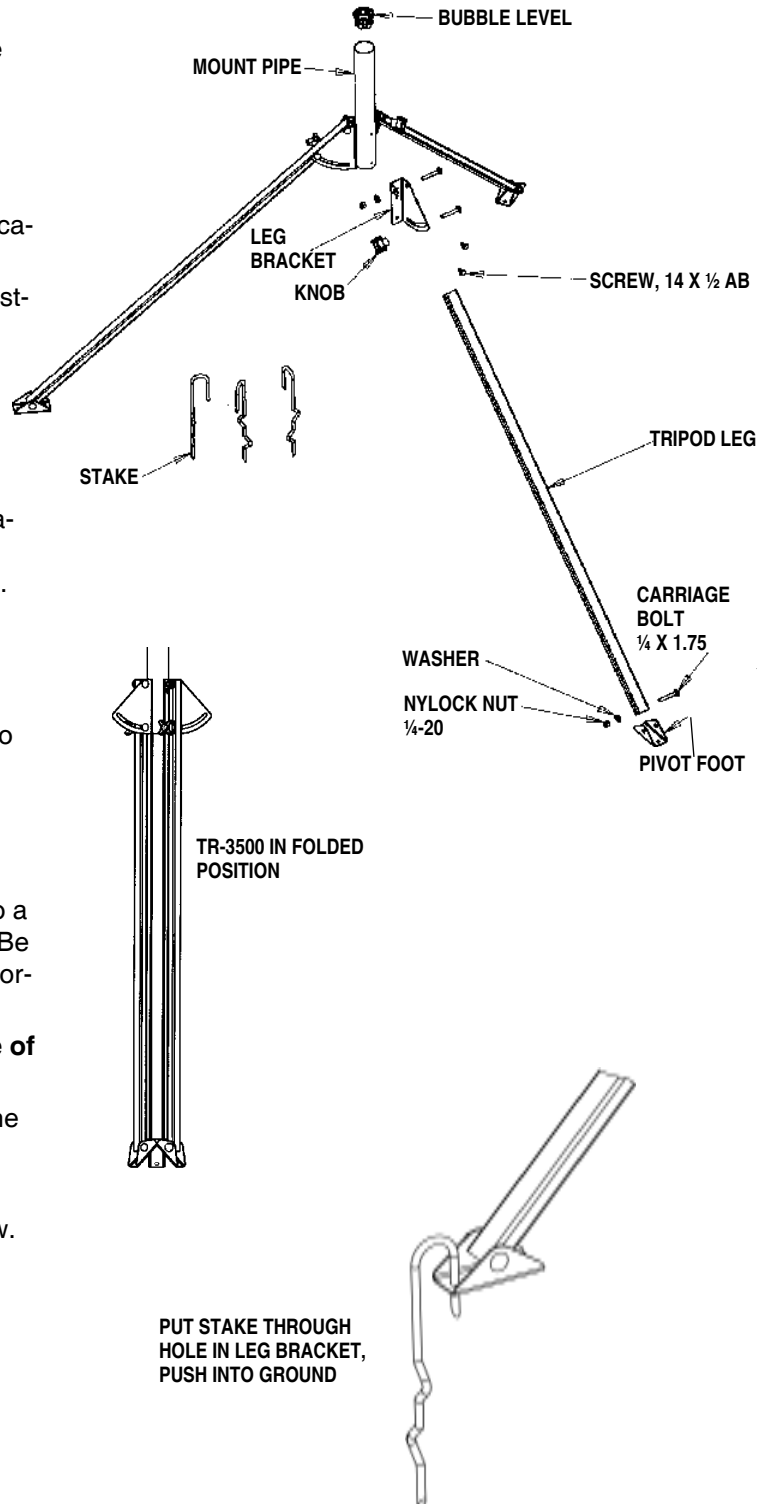
Depending on your location, satellites will be at an elevation angle between 30° and 60°. Southern states point more toward 60°, northern states point more toward 30°.

FINDING THE SATELLITE

1. Be sure to connect the cables to the TV, receiver and antenna before accessing satellite signal, and connect to your power source.
2. Check the instruction manual that came with your receiver to determine how to access the on-screen signal meter.

The signal meter shows you when you have locked onto a satellite broadcast signal and gives the signal strength. Be sure you select your type of dish antenna — pointing coordinates will depend on the type of dish you have.

3. **Azimuth value is determined by the local zip code of your location.** Enter into your receiver menu.
4. Rotate compass dial until azimuth value aligns with the **blue** arrow.
5. Turn compass to align red pointer arrow to red "N".
6. Point satellite dish in same direction as the blue arrow.



Free Manuals Download Website

<http://myh66.com>

<http://usermanuals.us>

<http://www.somanuals.com>

<http://www.4manuals.cc>

<http://www.manual-lib.com>

<http://www.404manual.com>

<http://www.luxmanual.com>

<http://aubethermostatmanual.com>

Golf course search by state

<http://golfingnear.com>

Email search by domain

<http://emailbydomain.com>

Auto manuals search

<http://auto.somanuals.com>

TV manuals search

<http://tv.somanuals.com>