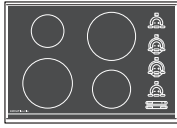
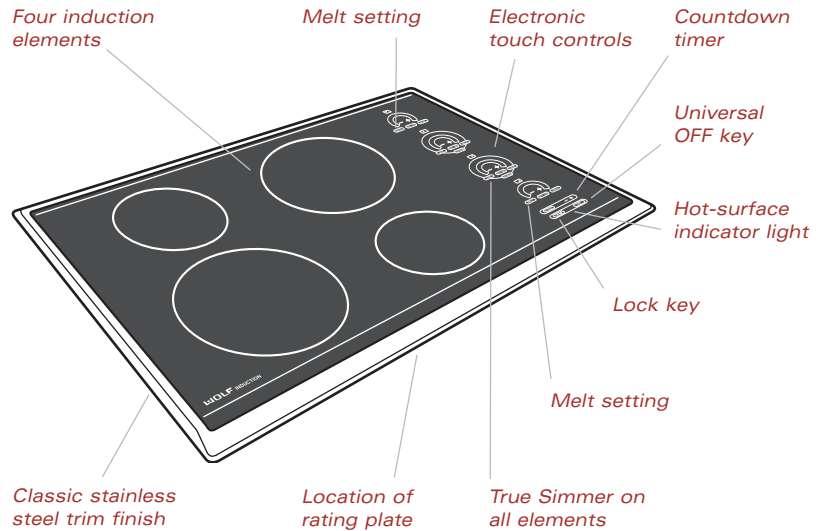


New 30" (762) Induction Cooktop — Available October 2007

MODEL CT30I/S



Model CT30I/S



► The Wolf Model CT30I/S 30" (762) induction cooktop is available with classic stainless steel trim finish.

Induction cooking has been used in Europe for decades by professionals and homeowners demanding the best in performance.

In induction cooking, the electricity flows through a coil to produce a magnetic field under the ceramic cooktop.

When a cast iron or magnetic stainless steel pan is placed on the ceramic glass surface, currents are induced in the cooking utensil and instant heat is generated due to the resistance of the pan. Induction only works with cooking vessels made of magnetic materials, such as cast iron and magnetic stainless steel (it will not work with aluminum or copper pots). To test the cookware, a magnet must stick to the bottom of the vessel in order to function.

Induction cooking is so efficient that it out-performs gas and electric cooktops. There is no wasted heat because energy is supplied directly to the cooking vessel, so nearly 90 percent of the energy gets used to cook.

You can keep sauces and chocolates melted at 50 watts of power, or with the touch of a finger, activate the Hi-Power boost feature and boil water in nearly half the time you normally do.

The new induction cooktops will be available in October 2007.

Dimensions in parentheses are in millimeters unless otherwise specified.

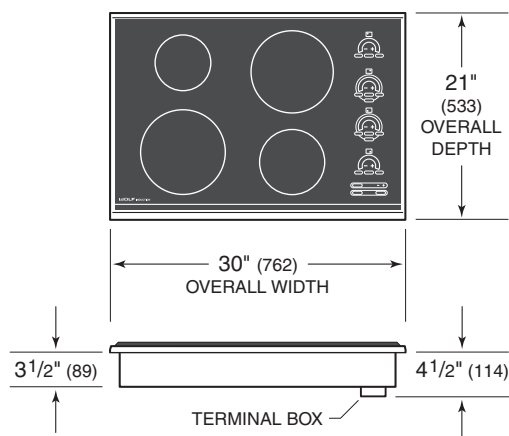
9/07

New 30" (762) Induction Cooktop
MODEL CT30I/S

FEATURES

- ▶ Classic stainless steel trim finish
- ▶ Easy-to-clean black ceramic glass surface is resistant to scratching, staining, impact and heat
- ▶ Induction elements heat cookware, not the glass, for a cooler, safer cooking surface
- ▶ Four high-efficiency induction elements deliver power and control
- ▶ Maximum element power: (2) 1800 W with 3000 W boost and (2) 1200 W
- ▶ True Simmer setting on two elements
- ▶ Melt setting on two elements
- ▶ Cookware sensing—elements will not be energized without an induction-compatible pan on the cooktop surface
- ▶ Hi-Power mode boosts power on 1800 W elements by diverting power from adjacent element
- ▶ Temperature limiter to ensure that safe operating temperature of ceramic glass is never exceeded
- ▶ Illuminated touch controls with graduated control lighting and adjustable sound frequency and volume
- ▶ Hot-surface indicator light in control panel
- ▶ Lock mode—cooktop will be locked so that no elements can be turned on
- ▶ Universal OFF turns all elements off
- ▶ Countdown timer with 1 to 99 minute range
- ▶ CSA certified for US and Canada
- ▶ Two and five year residential warranty—exclusions apply; warranty information can be found on our website, wolfappliance.com

OVERALL DIMENSIONS ▼

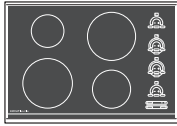


Unit dimensions may vary by $\pm 1/8$ " (3).

Dimensions in parentheses are in millimeters unless otherwise specified.

New 30" (762) Induction Cooktop

MODEL CT30I/S



Model CT30I/S

VENTILATION OPTIONS

- ▶ 30" (762) Cooktop hood or Pro wall or wall chimney hood or liner
- ▶ 30" (762) or 45" (1143) downdraft ventilation system
- ▶ 36" (914) Pro island hood

For additional information, refer to the Cooktop or Pro Ventilation sections of our website, wolfappliance.com.

ACCESSORIES

- ▶ Filler strip

Accessories are available through your Wolf dealer. To obtain local dealer information, visit the Showroom Locator section of our website, wolfappliance.com.

SPECIFICATIONS

Overall Cooktop Width	30" (762)
Overall Cooktop Height	3 1/2" (89)
Overall Cooktop Depth	21" (533)
Element Maximum Power	(2) 1200 W (2) 1800 W with 3000 W boost
Maximum Power Output	7200 W
Element Diameters	5 1/2" (140), 6 3/4" (171) and (2) 8 3/4" (220)
Recommended Cabinet Width	33" (838)
Minimum Cabinet Width	30" (762)
Minimum Cabinet Depth	22 3/4" (578)
Minimum Height Clearance*	4 1/2" (114)
Cooktop Cut-Out Width	28 3/8" (721)
Cooktop Cut-Out Depth	19 1/4" (489)
Electrical Supply Requirements	240/208 V AC 50/60 Hz, 40 amp circuit
Conduit	4 ft (1.2 m) flexible 3-wire
Electrical Rating	7.2 kW at 240 V 6.3 kW at 208 V
Shipping Weight	48 lbs (22 kg)

**Minimum 6" (152) clearance is required between countertop and any combustible surface directly below the cooktop.*

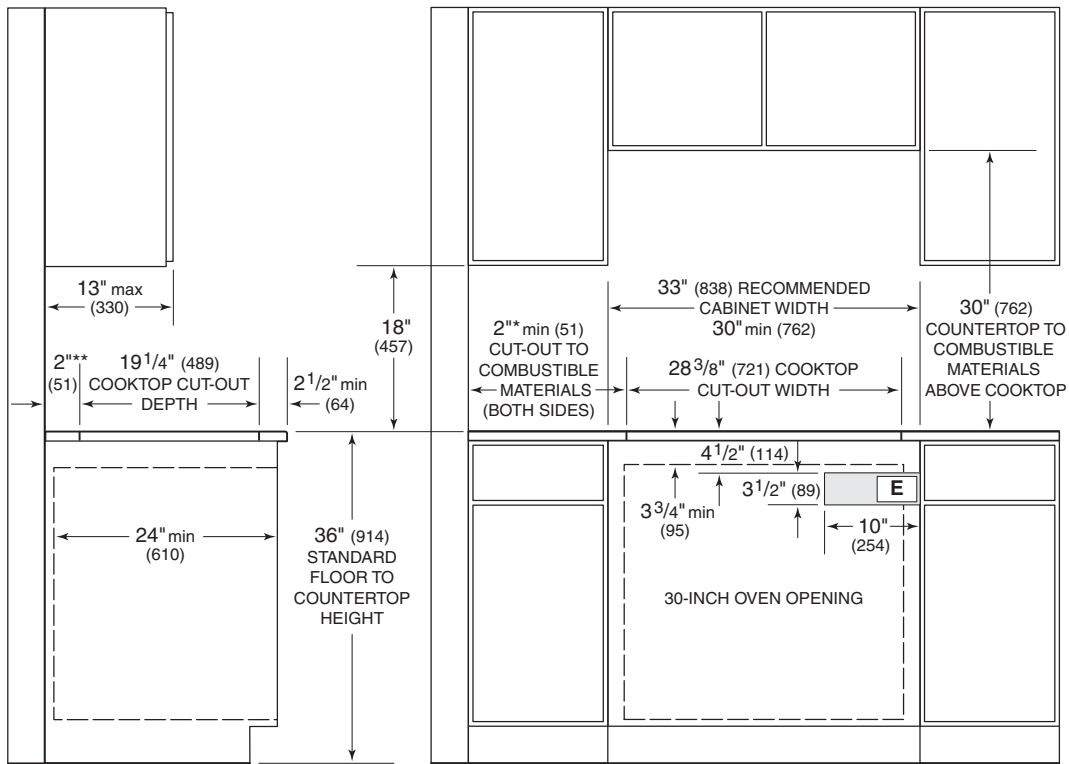
Specifications are subject to change without notice.

Unit dimensions may vary by ± 1/8" (3).

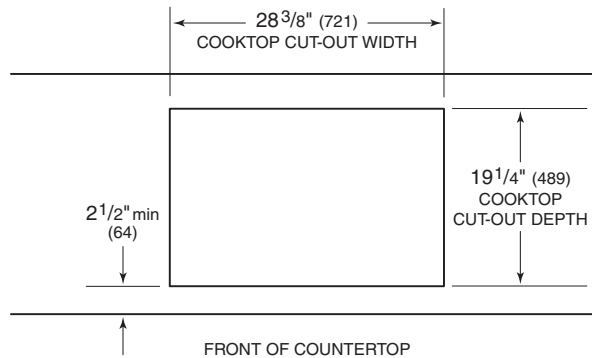
Dimensions in parentheses are in millimeters unless otherwise specified.

**New 30" (762) Induction Cooktop
MODEL CT30I/S**

INSTALLATION SPECIFICATIONS



*Minimum clearance from both side edges of cooktop cut-out to combustible materials up to 18" (457) above countertop. **Minimum clearance from rear edge of cooktop cut-out to combustible materials up to 18" (457) above countertop.



DIMENSIONS

Recommended Cabinet Width	33" (838)
Minimum Cabinet Depth	22 3/4" (578)
Cooktop Cut-Out Width	28 3/8" (721)
Cooktop Cut-Out Depth	19 1/4" (489)
Location of Electrical	Within shaded area

See Installation Instructions shipped with unit for detailed specifications.

Dimensions in parentheses are in millimeters unless otherwise specified.

New 30" (762) Induction Cooktop MODEL CT30I/S

INSTALLATION NOTES

▶ Refer to the illustrations and specifications for overall dimensions, cut-out dimensions and installation specifics.

▶ Wolf recommends using 33" (838) cabinets with the 30" (762) induction cooktop.

▶ Clearance is required for the terminal block located on the bottom of the cooktop in the right rear corner.

IMPORTANT NOTE: A minimum height clearance of 6" (152) is required between the countertop and any combustible surface directly below the cooktop. This includes upper edges of drawers located directly below unit. If a shelf is installed below the unit, a 1" (25) gap at the rear of the cabinet shelf is necessary to allow for proper ventilation. Failure to do so could result in decreased performance or product damage.

▶ A Wolf downdraft system, Cooktop or Pro ventilation hood is recommended. When installing a ventilation hood, refer to the specific requirements of the hood for the minimum dimension to countertop. Also refer to the ventilation recommendation charts in the cooktop or Pro ventilation sections of our website, wolfappliance.com.

▶ The Wolf 30" (762) induction cooktop requires a separate, grounded 3-wire 240/208 V AC, 50/60 Hz, 40 amp service with its own circuit breaker. It has a 4' (1.2 m) flexible 3-wire conduit for connection at the electrical supply. Locate electrical within the shaded area shown in the Installation illustration on page 4.

▶ A Wolf built-in single oven may be installed below this cooktop. For this installation, the electrical supply for the cooktop should be installed in the adjacent cabinet. Refer to page 6 for specifications. Be aware of the depth of the cooktop when planning for this installation.

IMPORTANT NOTE: When a built-in oven is installed below the cooktop, unless you are using cabinets deeper than 24" (610), it is recommended that the electrical supply be placed in an adjacent cabinet within reach of the conduit.

IMPORTANT NOTE: Wolf induction cooktops are designed and agency approved for installation with Wolf built-in ovens only.

▶ You must follow all National Electrical Code regulations. In addition, be aware of local codes and ordinances when installing your service.

▶ If the 30" (762) induction cooktop is to be used with any combination of additional cooktop units or modules with a filler strip, the cut-out width increases to 29" (737). When multiple cooktops or modules are installed side by side, refer to the countertop cut-out dimensions on page 7.

▶ Refer to the installation instructions shipped with each Wolf product for detailed specifications.

⚠ WARNING

This cooktop is intended for indoor use only.

New 30" (762) Induction Cooktop
MODEL CT30I/S

INSTALLATION WITH BUILT-IN OVEN

The Wolf 30" (762) induction cooktop may be installed above a 30" (762) L Series or E Series built-in single oven. Refer to the illustration below for specifications.

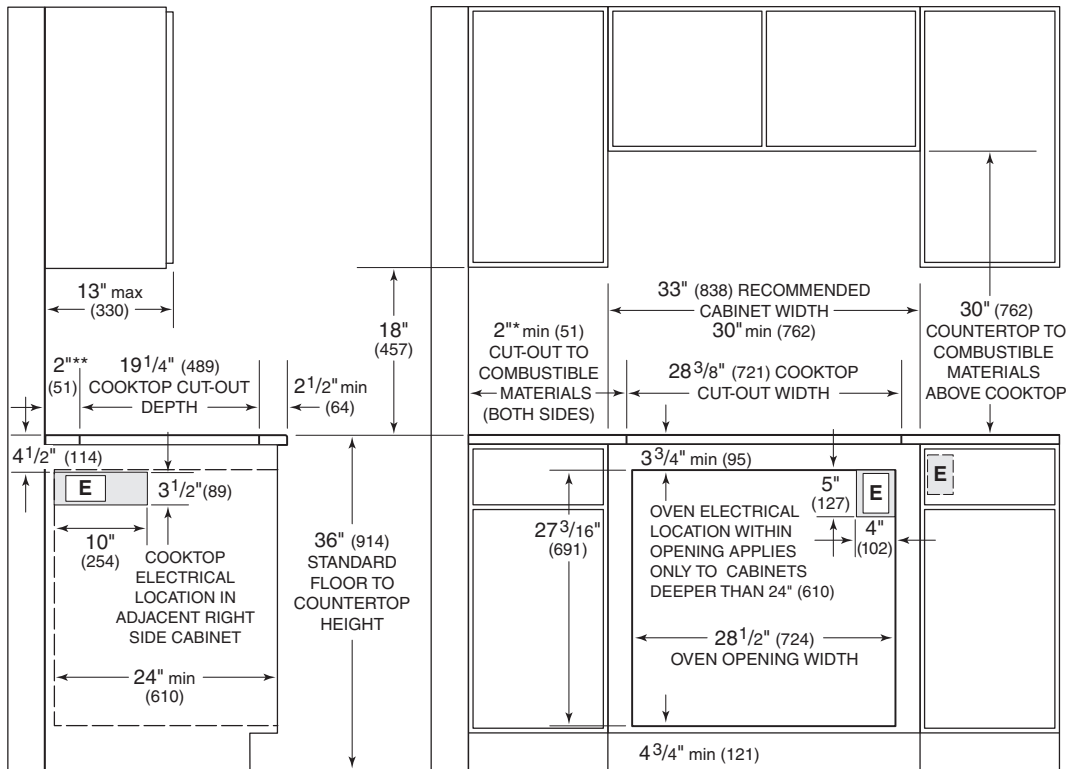
IMPORTANT NOTE: When a oven is installed below the cooktop, unless you are using cabinets deeper than 24" (610), it is recommended that the electrical supply for the oven and the electrical supply for the cooktop be located in the adjacent right side cabinet. A 2" (51) diameter hole to route the conduit through cabinetry will be required.

IMPORTANT NOTE: Wolf electric cooktops are designed and agency approved for installation with Wolf built-in ovens only.

Wolf recommends using 33" (838) wide cabinets for this installation. A minimum 24" (610) of usable cabinet depth is required. The cabinet base must be able to support 250 lbs (113 kg).

The Wolf 30" (762) induction cooktop may also be installed above a Wolf 36" (914) L Series single oven.

For electrical requirements and additional specifications, refer to Built-In Ovens section of our website, wolfappliance.com.



*Minimum clearance from both side edges of cooktop cut-out to combustible materials up to 18" (457) above countertop. **Minimum clearance from rear edge of cooktop cut-out to combustible materials up to 18" (457) above countertop. Unless you are using cabinets deeper than 24" (610), the electrical supply for the oven and the electrical supply for the cooktop should be located in the adjacent right side cabinet as shown.

Installation of a 30" (762) induction cooktop above a 30" (762) L Series or E Series single oven.

Dimensions in parentheses are in millimeters unless otherwise specified.

**New 30" (762) Induction Cooktop
MODEL CT30I/S**

MULTIPLE COOKTOP INSTALLATION

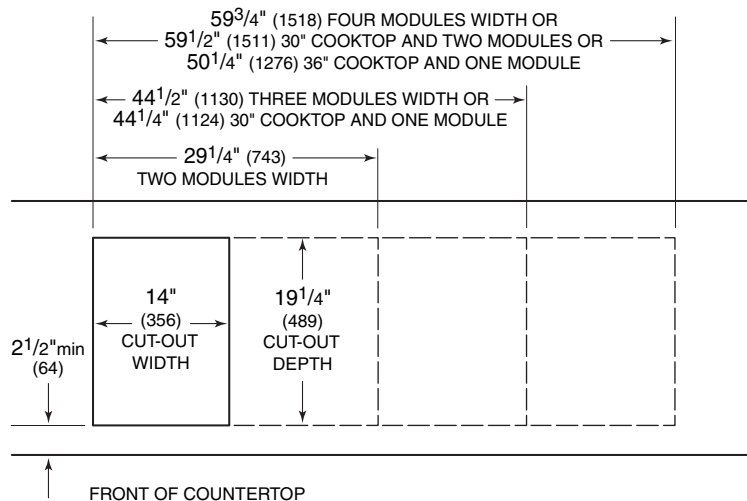
With Wolf's integrated modules, you have the ultimate in customization. You can create your own design by mixing and matching the various components within this system. And when you couple these modules with other cooktops within the Wolf inventory you and your client will truly understand freedom of choice.

Some Wolf integrated modules can be installed together or with a 30" (762) or 36" (914) cooktop. When multiple units are installed side by side, the cut-out dimensions that are shown in the illustration are derived by adding 1 1/4" (32) additional space for each additional unit, to give you your total cut-out width. Refer to the illustration below for countertop cut-out dimensions for installation of multiple cooktop units.

When two or more cooktops or modules are installed together, an accessory filler strip is recommended. Refer to Accessories on page 3.

IMPORTANT NOTE: When multiple cooktops and/or modules are installed side by side, each unit must have its own separate recommended electrical circuit. When multiple gas cooktops and/or modules are installed next to one another, they can receive their gas supply from a common line. However, each unit must have its own regulator installed between the mainline and the cooktop or module.

IMPORTANT NOTE: Review specifications for each specific integrated module for installation requirements and limitations. Refer to the integrated modules section of our website, wolfappliance.com.



Countertop cut-out dimensions for installation of multiple cooktop units.

Dimensions in parentheses are in millimeters unless otherwise specified.

Free Manuals Download Website

<http://myh66.com>

<http://usermanuals.us>

<http://www.somanuals.com>

<http://www.4manuals.cc>

<http://www.manual-lib.com>

<http://www.404manual.com>

<http://www.luxmanual.com>

<http://aubethermostatmanual.com>

Golf course search by state

<http://golfingnear.com>

Email search by domain

<http://emailbydomain.com>

Auto manuals search

<http://auto.somanuals.com>

TV manuals search

<http://tv.somanuals.com>