



## 48" Sealed Burner Rangetops

The patented, dual-stacked sealed gas burners of our new sealed burner rangetop take control to a new level. Two levels, really. The upper-tier burner delivers maximum heat transfer at higher settings; the lower-tier continuous flame ably handles the subtleties of simmering and melting. The Wolf exclusive infrared charbroiler, infrared griddle and French Top ensure this rangetop stands out from the rest in performance and also beauty.



Model SRT484F shown



Model SRT486C



Model SRT486G



Model SRT484CG



Model SRT484DG



Model SRT484F

### Features

- Natural or LP gas models
- Classic stainless steel exterior finish with island trim included
- Optional infrared charbroiler, infrared griddle, double griddle and French Top configurations
- Distinctive red control knobs—black knobs optional
- Platinum bezels surround all knobs—chrome or brass bezels optional
- Dual-stacked, sealed burners, all with simmer capabilities and automatic reignition at all settings
- Melt feature on 9,200 Btu/hr burner
- Porcelain-coated cast iron continuous top grates

### Surface Features

Model	SRT486C	SRT486G	SRT484CG	SRT484DG	SRT484F
Surface Burners – 15,000 Btu/hr with 950 Btu/hr delivered at simmer	5	5	3	3	3
Surface Burner – 9,200 Btu/hr with 325 Btu/hr delivered at simmer	1	1	1	1	1
Infrared Charbroiler – 16,000 Btu/hr	■		■		
Infrared Griddle – 15,000 Btu/hr		■	■		
Double Griddle – 15,000 Btu/hr				■	
French Top – 15,000 Btu/hr					■

Model numbers are for natural gas sealed burner rangetops, add (-LP) to the model number for LP gas.

### Accessories

- Classic stainless steel risers in 5" and 10" heights, or 20" riser with shelf
- Black control knobs
- Chrome or brass bezels
- Porcelain-cast wok grate and single burner grate
- Porcelain-cast two-burner S-grate
- Hardwood cutting board (griddle models only)
- High altitude conversion kit

Accessories are available through your Wolf dealer. To obtain local dealer information, visit the Showroom Locator section of our website, [wolfappliance.com](http://wolfappliance.com).



This appliance is certified by Star-K to meet strict religious regulations in conjunction with specific instructions found on [www.star-k.org](http://www.star-k.org).

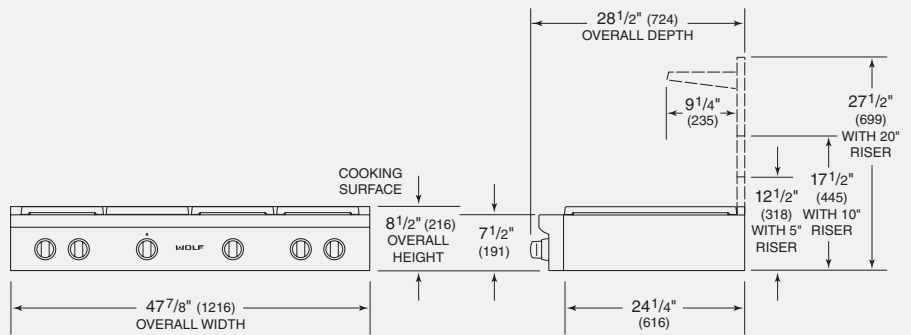


Dual-Stacked Sealed Burner



## 48" Sealed Burner Rangetops

### Overall Dimensions

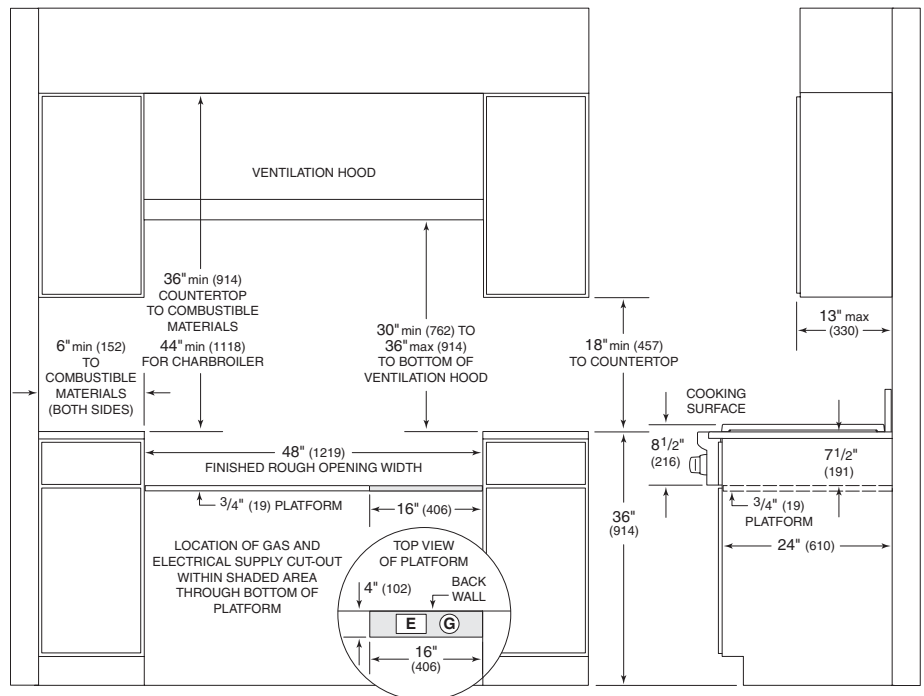


Unit dimensions may vary by  $\pm 1/8$ ".

### Specifications

Exterior Finish	Classic Stainless Steel
Overall Width	47 7/8"
Overall Height (to cooking surface)	8 1/2"
Overall Depth	28 1/2"
Opening Width	48"
Opening Height (to countertop)	7 1/2"
Opening Depth	24"
Electrical Requirements	110/120 V AC 50/60 Hz, 15 amp circuit
Power Cord	6' cord with grounded plug
Shipping Weight	240–280 lbs

### Installation Specifications



ISLAND INSTALLATIONS: 12" (305) MINIMUM CLEARANCE FROM BACK OF RANGETOP TO COMBUSTIBLE REAR WALL ABOVE COUNTERTOP—0" (0) TO NON-COMBUSTIBLE MATERIALS

### Installation Notes

- A riser is required for installations against a combustible surface.
- A Wolf Pro wall, chimney, island ventilation hood or hood liner is recommended.
- Natural gas and LP gas installations above 8,000' require the high altitude kit.

Dimensions in parentheses are in millimeters unless otherwise specified.

## Free Manuals Download Website

<http://myh66.com>

<http://usermanuals.us>

<http://www.somanuals.com>

<http://www.4manuals.cc>

<http://www.manual-lib.com>

<http://www.404manual.com>

<http://www.luxmanual.com>

<http://aubethermostatmanual.com>

Golf course search by state

<http://golfingnear.com>

Email search by domain

<http://emailbydomain.com>

Auto manuals search

<http://auto.somanuals.com>

TV manuals search

<http://tv.somanuals.com>