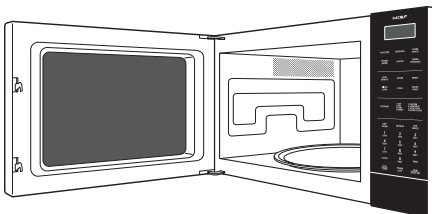


## FEATURES

- Built-in or freestanding option for design versatility.
- Built-in trim kits available to match Wolf L and E series ovens.
- Convection fan circulates air for even heat distribution.
- Easy-to-operate control panel and programmable power options.
- Sensor cooking to monitor and adjust settings.
- Slow cook mode up to four hours.
- Turntable is removable for easy cleaning.
- Microwave tray for popcorn and meat.
- Removable low rack for broiling and high rack for baking.
- Multiple rack baking.
- Interactive display with timer up to 99 minutes.
- English, French and Spanish language options.
- Menu label and food guide.
- Interior light and window in door.
- One-touch door open pad.
- Safety door latches will not allow oven to operate unless door is closed.



## MODEL OPTIONS

### CONVECTION MICROWAVE

Model	MC24
-------	------

## BUILT-IN TRIM KITS

- 27" E series.
- 30" E series.
- 30" L series.
- 36" L series.

Optional trim kits are available through an authorized Wolf dealer. For local dealer information, visit the find a showroom section of our website, wolfappliance.com.

## SPECIFICATIONS

### PRODUCT

Dimensions 24<sup>3</sup>/<sub>4</sub>"W x 14<sup>7</sup>/<sub>8</sub>"H x 20<sup>1</sup>/<sub>8</sub>"D  
 Weight 68 lb

### OVEN INTERIOR

Capacity 1.5 cu ft  
 Dimensions 16<sup>1</sup>/<sub>8</sub>"W x 9<sup>5</sup>/<sub>8</sub>"H x 16<sup>1</sup>/<sub>8</sub>"D

### ELECTRICAL

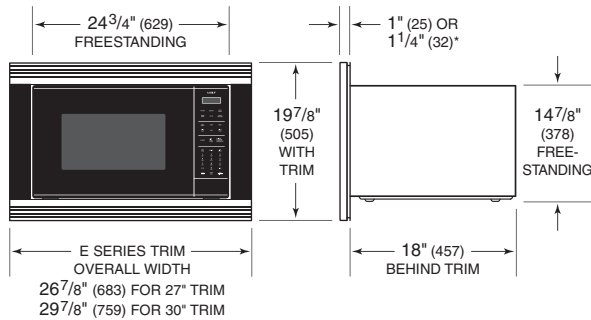
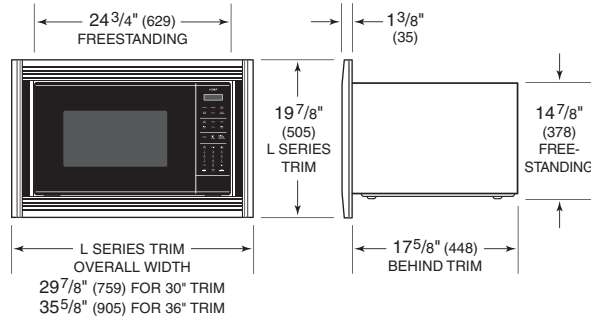
Power 900 W  
 Supply 120 VAC, 60 Hz  
 Service 15 amp circuit  
 Power Cord 4 ft

If the microwave oven is built in, a trim kit is required for proper ventilation.

Specifications are subject to change without notice. Visit [wolfappliance.com/specs](http://wolfappliance.com/specs) for the most up-to-date information.

Dimensions may vary ±1/8" (3). Dimensions in parentheses are millimeters unless otherwise specified.

## DIMENSIONS

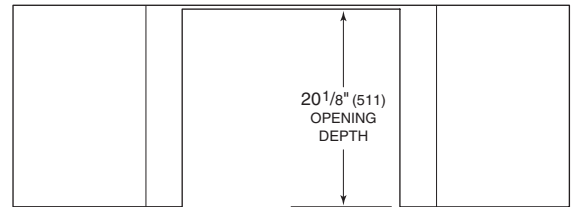


\*1/4" (32) for contemporary E series trim only.

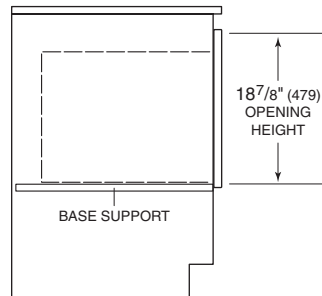
## OPENING WIDTH

TRIM	W
27" Trim	25 <sup>1</sup> / <sub>4</sub> " (641)
30" Trim	27 <sup>1</sup> / <sub>2</sub> " (699)
36" Trim	33 <sup>3</sup> / <sub>8</sub> " (854)

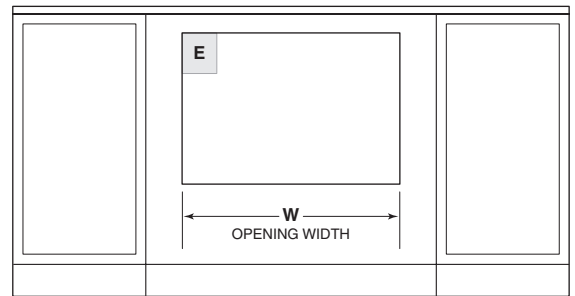
## INSTALLATION WITH TRIM



TOP VIEW



SIDE VIEW



FRONT VIEW

NOTE: Dashed line represents profile of unit.

## Free Manuals Download Website

<http://myh66.com>

<http://usermanuals.us>

<http://www.somanuals.com>

<http://www.4manuals.cc>

<http://www.manual-lib.com>

<http://www.404manual.com>

<http://www.luxmanual.com>

<http://aubethermostatmanual.com>

Golf course search by state

<http://golfingnear.com>

Email search by domain

<http://emailbydomain.com>

Auto manuals search

<http://auto.somanuals.com>

TV manuals search

<http://tv.somanuals.com>