

INSTALLATION GUIDE

Pro Wall Ventilation Hoods



Contents

Wolf Pro Wall Ventilation Hoods	3
Installation Considerations	4
Pro Wall Hood Specifications	5
Pro Wall Hood Installation	10
Service Information	22

Features and specifications are subject to change at any time without notice. Visit wolfappliance.com/specs for the most up-to-date information.

IMPORTANT NOTE: Throughout this guide, dimensions in parentheses are millimeters unless otherwise specified.

Important Note

To ensure the safe and efficient use of Wolf equipment, please take note of the following types of highlighted information throughout this guide:

IMPORTANT NOTE highlights information that is especially important.

CAUTION signals a situation where minor injury or product damage may occur if instructions are not followed.

WARNING states a hazard that may cause serious injury or death if precautions are not followed.



Pro Wall Hood Installation

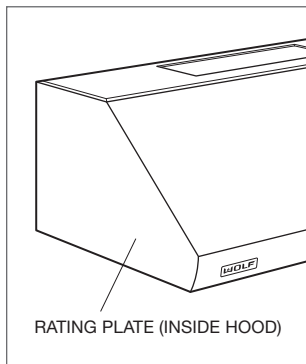
IMPORTANT NOTE: This installation must be completed by a qualified installer or Wolf authorized service center technician.

Read this entire installation guide prior to installation and save for the local inspector's reference. The homeowner should keep this installation guide for future reference.

This appliance must be installed in accordance with National Electrical Codes, as well as all state, municipal and local codes. The correct voltage, frequency and amperage must be supplied to the appliance from a dedicated, grounded circuit which is protected by a properly sized circuit breaker or time delay fuse. The proper voltage, frequency, and amperage ratings are listed on the product rating plate.

Record the model and serial numbers before installing the ventilation hood. Both numbers are listed on the product rating plate, located inside the left wall of the hood shell. Refer to the illustration below.

Wolf Pro Wall Hood
Model Number
Serial Number



Location of rating plate.

IMPORTANT INSTRUCTIONS

TO REDUCE THE RISK OF FIRE, ELECTRIC SHOCK OR INJURY, OBSERVE THE FOLLOWING:

- Installation work and electrical wiring must be done by qualified person(s) in accordance with all applicable codes and standards, including fire-rated construction.
- Two installers are recommended due to the size and weight of the pro ventilation hood.
- Install the pro ventilation hood only with a blower manufactured by Wolf.
- When cutting or drilling into wall or ceiling, do not damage electrical wiring and other hidden utilities.
- Ducted fans must always be vented to the outdoors.

⚠ CAUTION

To reduce the risk of fire and properly exhaust air, be certain to duct air outside. Do not vent exhaust air into spaces within walls or ceilings or into attics, crawl spaces or garages.

Installation Considerations

Pro wall hoods are recommended for use with all Wolf cooking appliances and should be at least as wide as the cooking surface. The ventilation hood be installed 30" (762) to 36" (914) above the countertop.

IMPORTANT NOTE: For optimal performance in wall hood applications, a pro 27" (686) deep wall hood is recommended for use with ranges and rangetops that contain a charbroiler or griddle.

BLOWER ASSEMBLIES

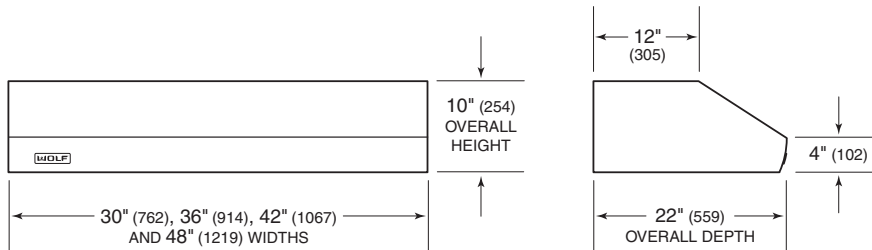
Pro ventilation hoods are shipped without the blower assembly. Internal, in-line and remote blowers are available through your authorized Wolf dealer. For local dealer information, visit the find a showroom section of our website, wolfappliance.com.

The blower will vary in size and is dictated by the cooking surface, the volume of air that needs to be moved and the length of the duct run. Refer to ventilation recommendations in the Wolf design guide.

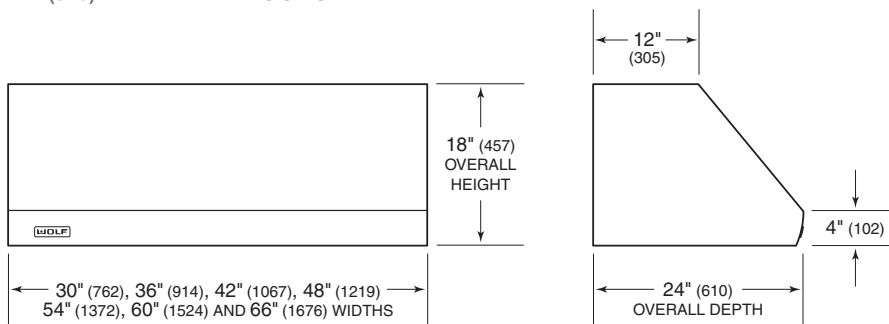
IMPORTANT NOTE: Use only a Wolf blower with the pro ventilation hood.

Overall Dimensions

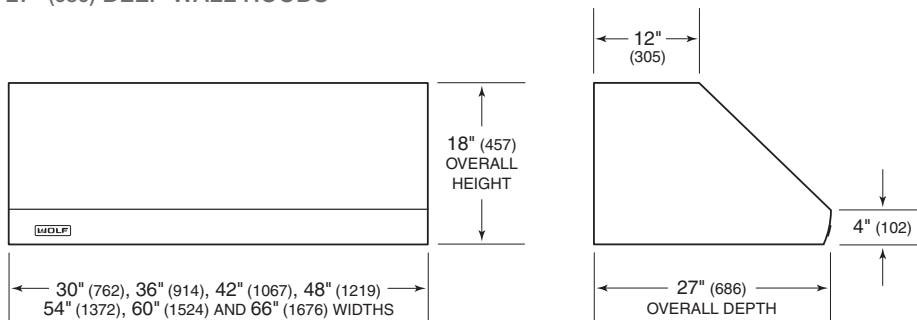
LOW-PROFILE WALL HOODS



24" (610) DEEP WALL HOODS

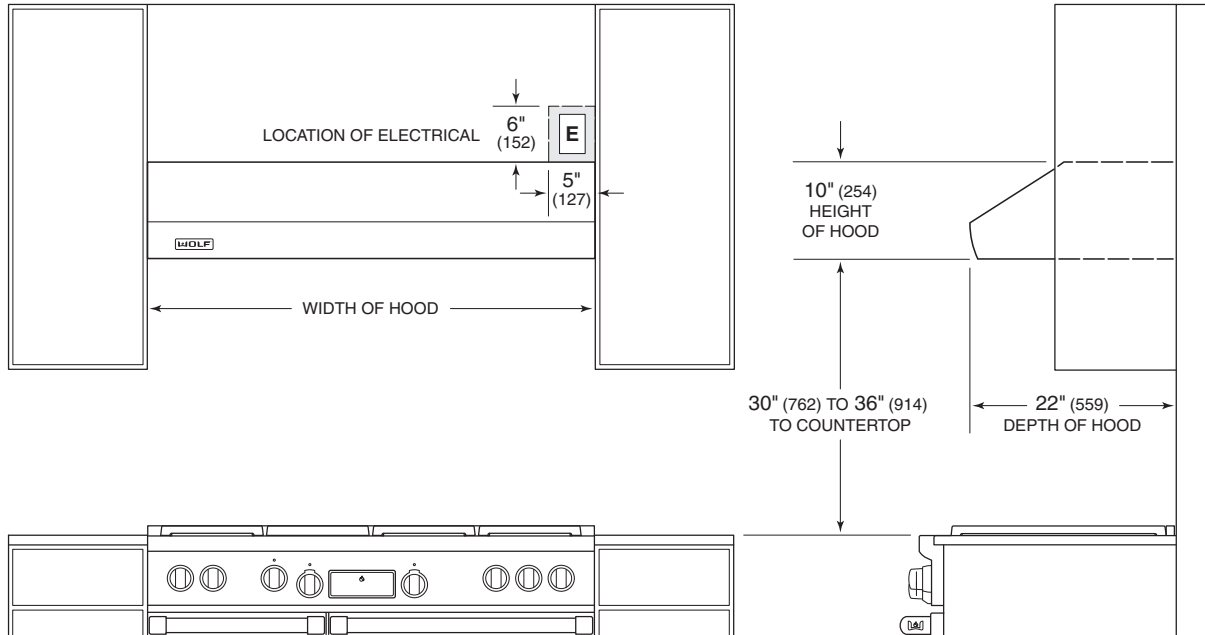


27" (686) DEEP WALL HOODS

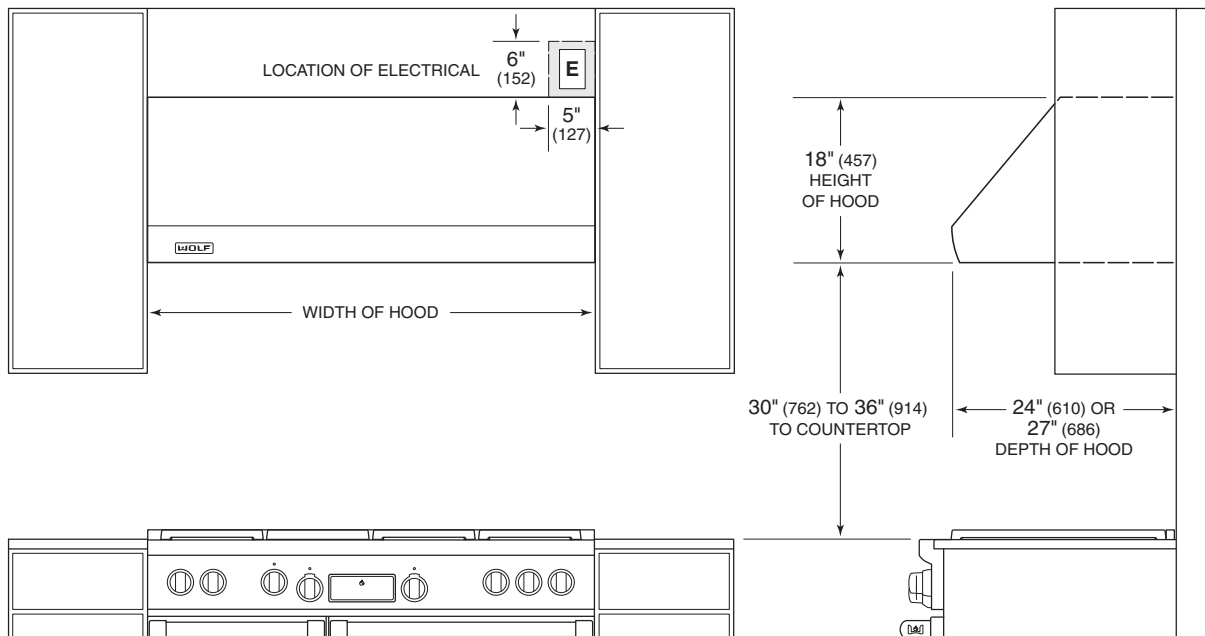


Installation Specifications

LOW-PROFILE WALL HOODS



24" AND 27" DEEP WALL HOODS



Electrical Requirements

Wolf pro ventilation hoods require a separate, grounded 120 V AC, 60 Hz power supply. The service should have its own 15 amp circuit breaker. Locate the electrical supply flush with back wall and within the shaded area shown in the illustration for your specific model on the previous page.

IMPORTANT NOTE: You must follow all National Electrical Code regulations. In addition, be aware of local codes and ordinances when installing your service.

⚠ WARNING

Electrical service for the ventilation hood must be installed by a qualified electrician in accordance with all applicable national and local electrical codes.

Installation Options

HORIZONTAL DISCHARGE

Pro low-profile wall hoods have an adjustable discharge. Pro 24" (610) and 27" (686) deep wall hoods have a vertical discharge. A horizontal discharge kit is available through your authorized Wolf dealer. For local dealer information, visit the find a showroom section of our website, wolfappliance.com.

RECIRCULATING INSTALLATION

Pro wall hoods, 30" (762) and 36" (914) wide, with an internal blower (600 CFM or less), can be used in a non-ducted application with a recirculating filter. In this installation, kitchen air is purified through filters and returned as clean air into the room. A recirculation kit available through your authorized Wolf dealer is required. For local dealer information, visit the find a showroom section of our website, wolfappliance.com.

DUCT COVER

Optional stainless steel duct covers are available in a variety of heights for all pro ventilation hoods through your authorized Wolf dealer. For local dealer information, visit the find a showroom section of our website, wolfappliance.com.

BACKSPLASH

Optional stainless steel backsplashes are available in widths to match all pro wall hoods through your authorized Wolf dealer. For local dealer information, visit the find a showroom section of our website, wolfappliance.com.

Discharge Specifications

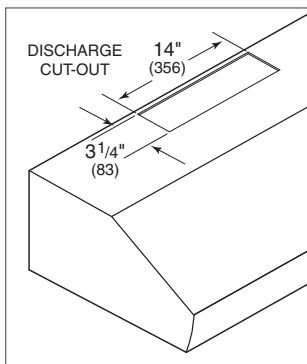
LOW-PROFILE WALL HOODS

The illustrations provide dimensions for discharge options for low-profile wall hoods. These dimensions are critical for proper installation. Dimension A in the illustrations will vary with the width of the hood. Refer to the chart below.

IMPORTANT NOTE: The transition included with the 500 CFM internal blower accommodates 3 1/4" (83) x 10" (254) ductwork. An optional 3 1/4" (83) x 10" (254) to 8" (203) round transition is available through your authorized Wolf dealer. For local dealer information, visit the find a showroom section of our website, wolfappliance.com.

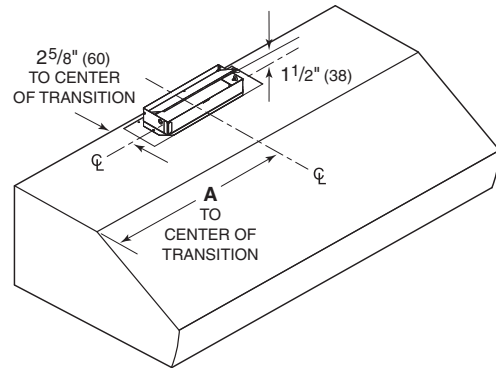
Low-Profile Wall Hoods	
WIDTH OF HOOD	A
30" (762)	14 3/4" (375)
36" (914)	17 3/4" (451)
42" (1067)*	20 3/4" (527)
48" (1219)*	23 3/4" (603)

*500 CFM blower not available for these hood widths.

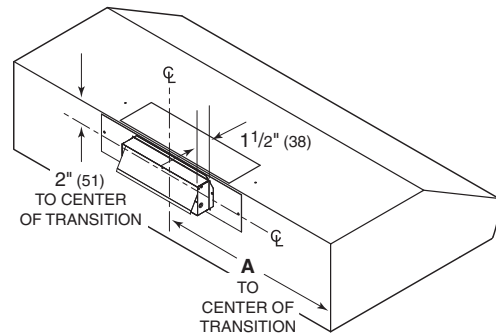


Cut-out without transition.

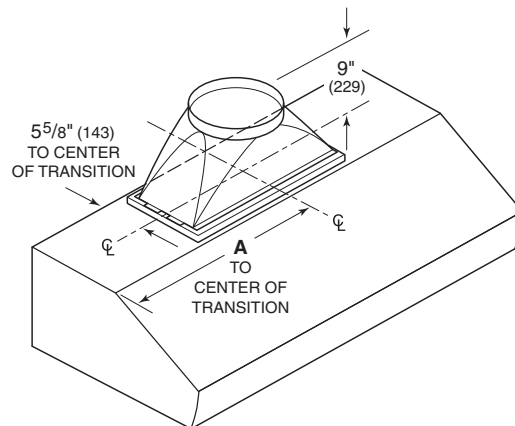
LOW-PROFILE WALL HOODS DISCHARGE OPTIONS



Vertical discharge.



Horizontal discharge.



Vertical discharge with accessory transition.

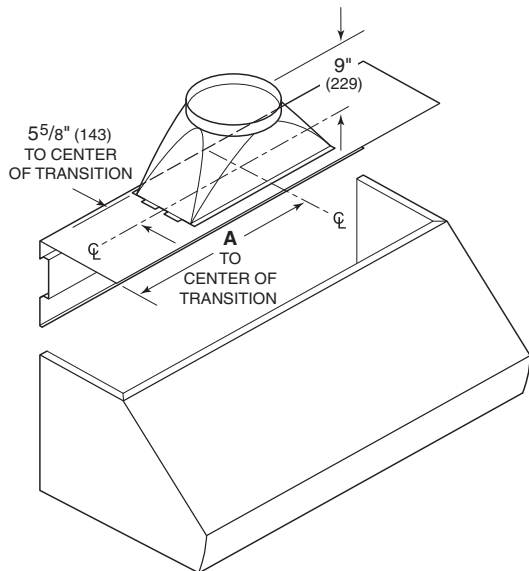
Discharge Specifications

24" AND 27" DEEP WALL HOODS

The illustration below provides dimensions for vertical discharge for 24" (610) and 27" (686) deep wall hoods. These dimensions are critical for proper installation. Dimension A in the illustration will vary with the width of the hood. Refer to the chart below.

An optional horizontal discharge kit is available through your authorized Wolf dealer. For local dealer information, visit the find a showroom section of our website, wolfappliance.com.

24" and 27" Deep Wall Hoods	
WIDTH OF HOOD	A
30" (762)	14 ³ / ₄ " (375)
36" (914)	17 ³ / ₄ " (451)
42" (1067)*	20 ³ / ₄ " (527)
48" (1219)*	23 ³ / ₄ " (603)
54" (1372)*	26 ³ / ₄ " (679)
60" (1524)*	29 ³ / ₄ " (756)
66" (1676)*	32 ³ / ₄ " (832)



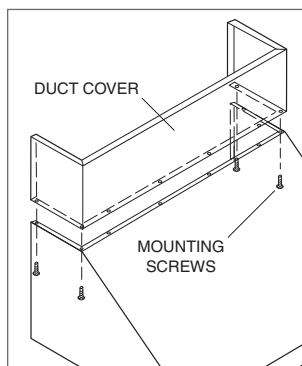
24" and 27" deep wall hoods—vertical discharge.

Duct Cover

IMPORTANT NOTE: If an optional duct cover is to be used with any pro wall hood, it must be attached before installing the hood. Installing a duct cover will impact all aspects of the hood installation including hood location, ducting, electrical placement and the mounting surface.

DUCT COVER INSTALLATION

- Remove all screws from the front edge of the back panel on the top of the wall hood. Leave the two screws on the sides, there is a relief in the duct cover for them.
- Attach the duct cover from the inside of the hood through the filter opening using the screws provided.
- Leave screws partially loose until all screws are installed. Check alignment of the duct cover with the hood and tighten the four corner screws to secure the duct cover. Tighten all remaining screws.
- Proceed with installation of the wall hood.



Duct cover installation.

Install Ductwork

⚠ WARNING

To reduce the risk of fire, use only metal ductwork.

IMPORTANT NOTE: Pro ventilation hoods must exhaust to the outdoors except when used with the accessory recirculating kit (30" and 36" wide hoods only).

Wolf recommends that the pro wall hood be installed 30" (762) to 36" (914) above the countertop. Consult a qualified HVAC engineer for specific ducting applications.

A 10" (254) round duct is recommended for pro ventilation hoods. Use only metal ductwork, do not use flex ducting.

Decide where the ductwork will run between the wall hood and the outside. A straight, short duct run will allow the hood to perform most efficiently. Limit the number of elbows and transitions. The duct run should be no longer than 50' (15 m). There is a possibility of noise issues, if a remote blower is used with a short duct run.

Pro low-profile wall hoods allow for a horizontal or vertical discharge. When using an in-line or external blower, an optional 10" (254) round transition is available through your authorized Wolf dealer. For local dealer information, visit the find a showroom section of our website, wolfappliance.com.

IMPORTANT NOTE: The transition included with the 500 CFM internal blower accommodates 3¹/₄" (83) x 10" (254) ductwork. An optional 3¹/₄" (83) x 10" (254) to 8" (203) round transition is available through your authorized Wolf dealer.

Pro 24" (610) and 27" (686) deep wall hoods have a vertical discharge. If a horizontal discharge is necessary, an accessory horizontal discharge kit is required. Refer to installation instructions provided with the kit. Accessory kits are available through your authorized Wolf dealer. For local dealer information, visit the find a showroom section of our website, wolfappliance.com.

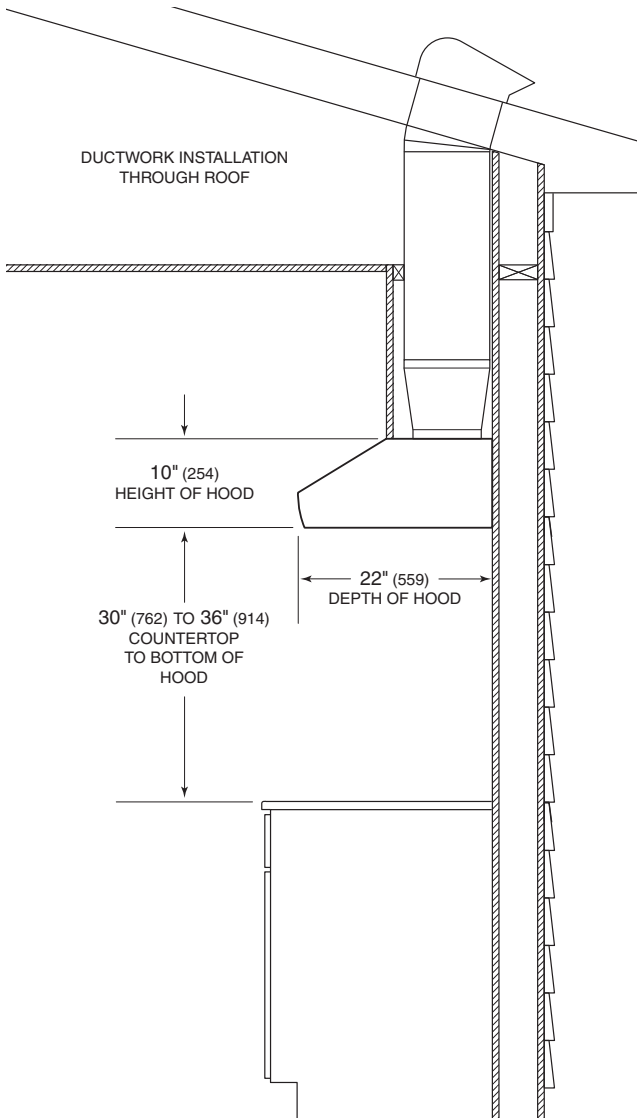
Always install a roof or wall cap if you are not installing a remote blower. Connect 10" (254) round metal ductwork to the cap and work back towards the hood. Use duct tape to seal joints between ductwork sections.

Pro 24" (610) and 27" (686) deep wall hoods have a backdraft damper included in the transition assembly. Local codes may require the use of an additional backdraft damper. Contact your local HVAC professional for specific requirements. In cold weather installations, a backdraft damper is necessary to minimize the backflow of cold air into the room.

Local building codes may require the use of make-up air. Consult your local HVAC professional for specific requirements in your area.

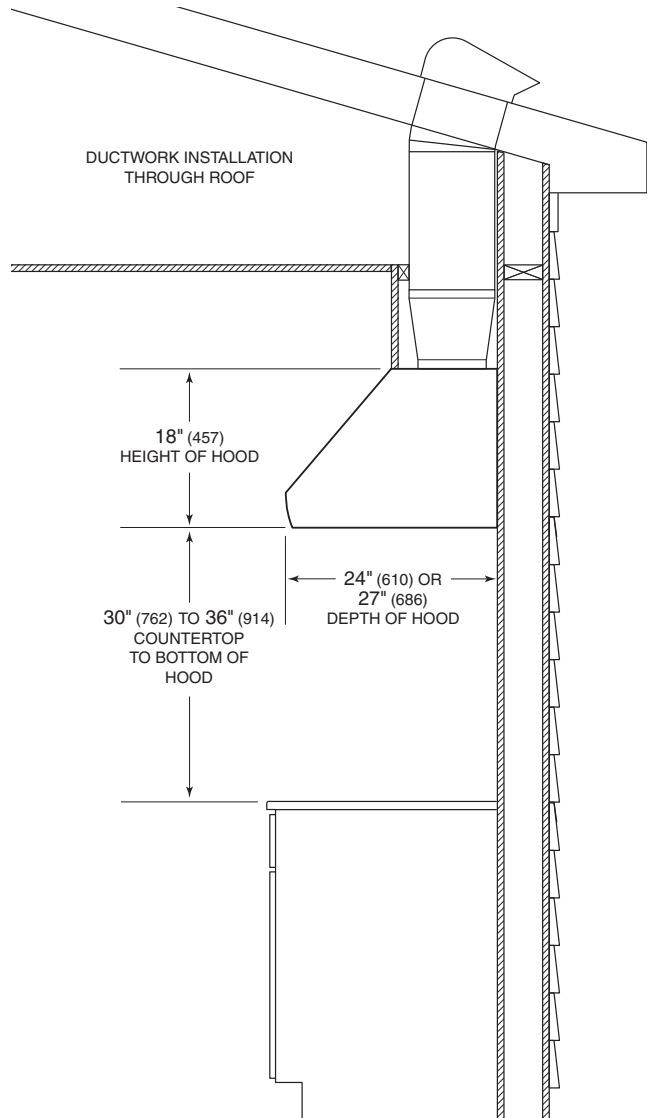
Install Ductwork

LOW-PROFILE WALL HOODS



NOTE: 10" (254) ROUND TRANSITION SHOWN IN VERTICAL DISCHARGE APPLICATION WITH IN-LINE OR REMOTE BLOWER. REFER TO INSTALLATION INSTRUCTIONS FOR HORIZONTAL DISCHARGE.

24" AND 27" DEEP WALL HOODS



NOTE: HORIZONTAL DISCHARGE REQUIRES AN ACCESSORY KIT.

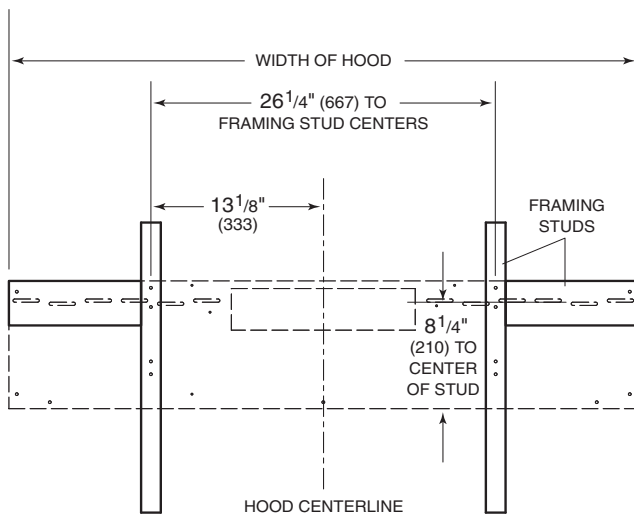
Low-Profile Wall Hoods

WALL PREPARATION

Construct the wall framing as shown in the illustration below. Be sure to locate horizontal framing using the desired installation height of the hood. Refer to the illustration below for the location of mounting holes for low-profile wall hoods.

⚠ WARNING

Framing must be tied together and to ceiling joists to provide enough structural strength to support the weight of the hood and internal blower, if applicable.



Wall framing for low-profile hood.

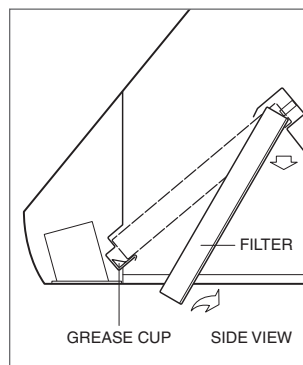
HOOD PREPARATION

IMPORTANT NOTE: For low-profile wall hoods using the 500 CFM internal blower, refer to installation instructions provided with the blower assembly. Install the internal blower prior to mounting the hood.

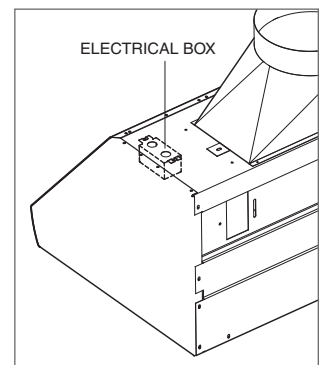
If a duct cover is to be used, follow the instructions on page 9 before installing the hood. If you are installing a recirculating kit, refer to instructions included with the kit before installing the hood.

- Remove the filters by pushing each filter up at the angle it is placed in, and rotate down. Refer to the illustration below. Remove the center filter first. Gloves should be worn when handling filters.
- If you are using an in-line or remote blower, attach the optional 10" (254) round transition or custom piece to the top of the wall hood using holes provided.
- If you are installing an in-line or remote blower, drill a 7/8" (22) hole through the wood framing for the conduit. Refer to the illustration below for location of the hoods' electrical box. Refer to the in-line and remote blower sections on pages 20–21 and follow installation instructions provided with the blower.

IMPORTANT NOTE: Do not run electrical wiring for an in-line or remote blower through the ductwork.



Filter removal.



Location of electrical box.

Low-Profile Wall Hoods

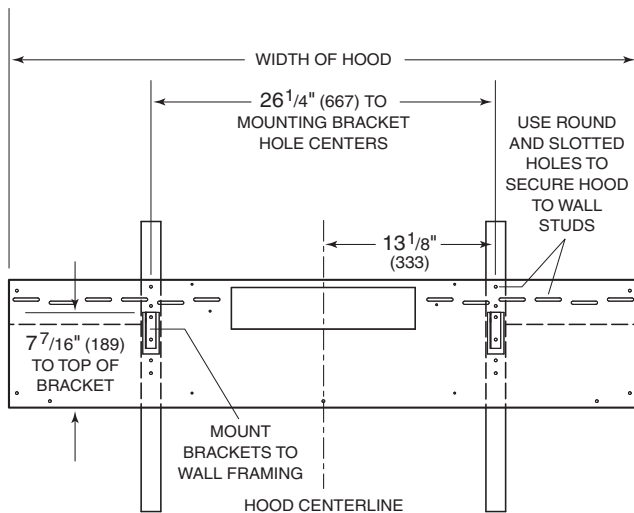
HOOD INSTALLATION

IMPORTANT NOTE: If a backsplash is to be used, it should be installed prior to mounting the wall hood. Refer to installation instructions provided with the backsplash.

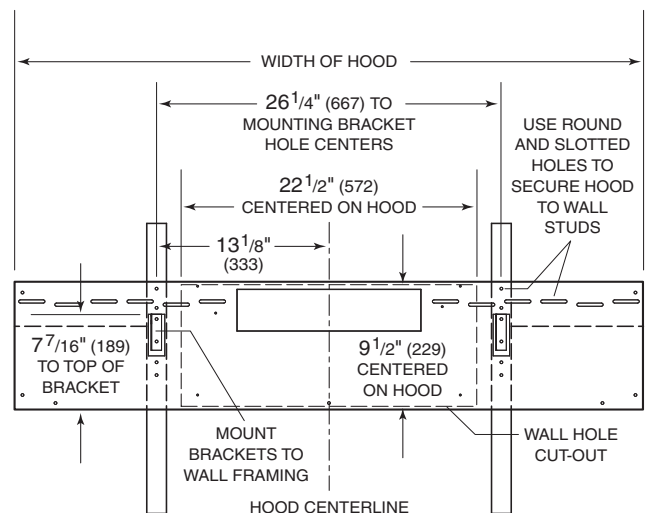
Install the wall mounting brackets as shown in the illustrations below. Hang the wall hood on the installation brackets in preparation for attaching the hood to wall framing.

Position the hood in the desired location on the wall. Depending on the application, install the #10 x 1 1/2" (38) screws with washers or 3" (76) drywall screws through the mounting holes on the back plate. Verify that the screws engage the wall framing. If not, wall anchors must be used.

If additional support is required for the wall hood, drill supplementary mounting holes in the back plate and use these holes to attach the hood assembly to the wall framing.



Low-profile wall hoods—vertical discharge.



Low-profile wall hoods—horizontal discharge.

24" and 27" Deep Wall Hoods

WALL PREPARATION

Construct the wood wall framing flush with the wall studs and centered in the location that the hood will be mounted. Finish the wall surface.

Attach the wood mounting support provided with the hood. Refer to the illustration below. The mounting support should be centered within the desired location of the hood. Use the 3" (76) screws provided to attach the mounting support to the wall. The screws should be located to correspond with wall framing and countersunk so that they are below flush.

Install the retaining brackets to the wood mounting support at the locations shown in the illustration and the chart below. Use the #10 X 1 1/2" (38) screws and washers provided to secure the brackets in place. The brackets should be mounted 1/2" (13) above the top of the wood mounting support.

For ease of installation, the location of the wood mounting support and retaining bracket allow for 1/2" (13) clearance at the top of the hood. This gap will be taken up during final mounting of the hood to the mounting support.

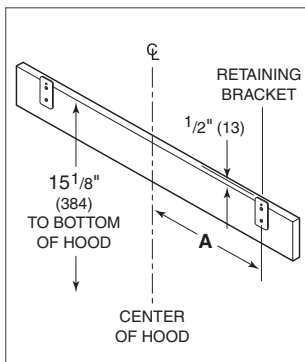
Refer to the illustration below for the location of mounting holes for pro 24" (610) and 27" (686) deep wall hoods, one on each side of the back plate.

⚠ WARNING

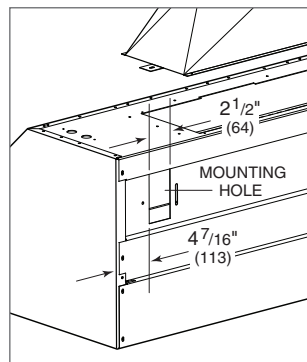
Framing must be tied together and to ceiling joists to provide enough structural strength to support the weight of the hood and internal blower, if applicable.

Wood Mounting Support

WIDTH OF HOOD	A
30" (762)	11 ³ / ₄ " (298)
36" (914)	12 ¹ / ₄ " (311)
42" (1067)*	15 ¹ / ₄ " (387)
48" (1219)*	18 ¹ / ₄ " (464)
54" (1372)*	21 ¹ / ₄ " (540)
60" (1524)*	24 ¹ / ₄ " (616)
66" (1676)*	27 ¹ / ₄ " (692)



Wood mounting support.



Location of mounting holes.

24" and 27" Deep Wall Hoods

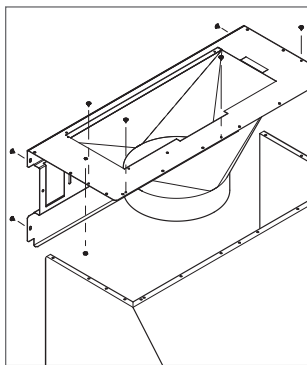
HOOD PREPARATION

IMPORTANT NOTE: For 24" (610) and 27" (686) deep wall hoods using an internal blower, refer to installation instructions provided with the blower assembly. Install the internal blower to the back plate assembly prior to mounting the hood.

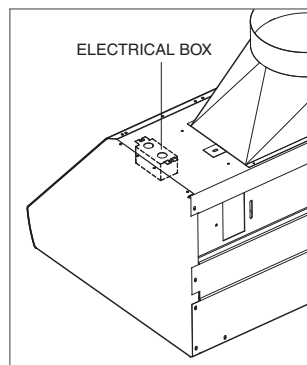
If a duct cover is to be used, follow the instructions on page 9 before installing the hood. If you are installing a recirculating kit, refer to instructions included with the kit before installing the hood.

- The hood is shipped with the back plate and transition assembly attached. The transition is shipped upside down in the top of the hood. It must be removed and reinstalled in the proper position.
 - Remove the filters by pushing each filter up at the angle it is placed in, and rotate down. Remove the center filter first. Then take out the grease cups placed on the bottom edge of the hood coinciding with the bottom edge of the filters. Gloves should be worn when handling filters.
 - Detach the back plate and transition assembly from the hood by removing the top and back screws. Do not discard the screws, they will be used in the installation. Refer to the illustration below.
- Separate the transition from the back plate by removing the shipping nut from the inside of the back plate.
 - Position the back plate in the desired location and mark the mounting holes on the wood support. Drill pilot holes for the mounting hardware.
 - If you are installing an in-line or remote blower, drill a $\frac{7}{8}$ " (22) hole through the wood framing for the conduit. Refer to the illustration below for location of the hoods' electrical box. Refer to the in-line and remote blower sections on pages 20–21 and follow installation instructions provided with the blower.

IMPORTANT NOTE: Do not run electrical wiring for an in-line or remote blower through the ductwork.



Back plate and transition.



Location of electrical box.

24" and 27" Deep Wall Hoods

REATTACH BACK PLATE

Attach the transition to the back plate using the four shipping screws provided in the hardware mounting kit. Reinstall the shipping screws removed previously from the top and back of the back plate. Seal with duct tape to ensure a tight seal from the transition to the back plate.

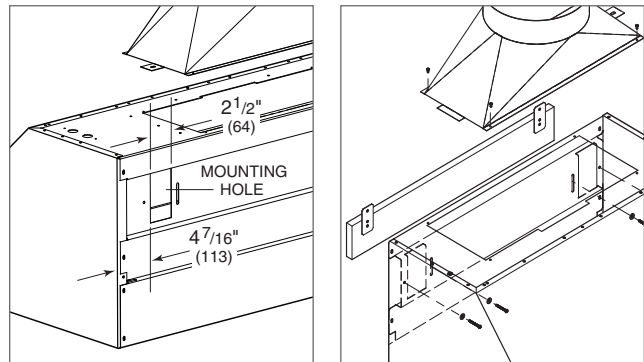
If additional support is required, drill supplementary mounting holes in the back plate and use these holes to attach the hood assembly to the wall framing.

HOOD INSTALLATION

IMPORTANT NOTE: If a backsplash is to be used, it should be installed prior to mounting the wall hood. Refer to installation instructions provided with the backsplash.

Align the mounting holes in the back plate of the hood assembly with the retaining brackets on the wood mounting support. Refer to the illustration below for location of the mounting holes, one on each side of the back plate.

Position the hood and install the #10 x 1¹/₂" (38) screws and washers provided through the mounting holes on the back plate. Verify that the screws engage the mounting support. Attach the transition to existing ductwork with sheet metal screws and seal with duct tape. Refer to the illustration below.



Location of mounting holes.

Hood installation.

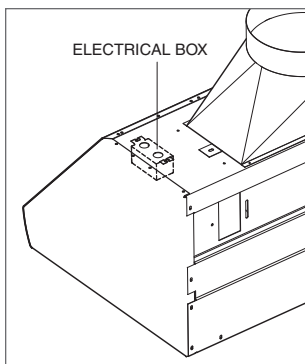
All Pro Wall Hoods

WIRING CONNECTIONS

- Run a 120 V AC, 15 amp circuit power cable from the service panel to the electrical box on the back plate.
- Run the conduit connector through the holes in the back plate. Refer to the illustration below for the location of the electrical box.
- Insert the conduit through the hole on top of the back plate to the electrical box.
- Remove the electrical box cover from the back plate. Connect black wire to power supply black wire, white wire to power supply white wire and green wire to green wire or bare wire.
- Place all wiring connections inside the electrical box and reinstall on the back plate in the upper right-hand corner. Make sure that the wires are secure and that no wires are pinched between the cover and box.

⚠ WARNING

Before servicing, switch power off at the service panel and lock the service disconnecting means to prevent power from being switched on accidentally. If it cannot be locked, securely fasten a prominent warning tag, to the service panel.



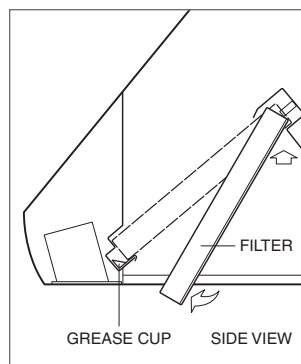
Location of electrical box.

FILTER INSTALLATION

Slide the grease cups along the bottom edge of the hood so that the lip of the grease cup overhangs slightly.

To install the filters, orient each filter with lines running vertically. Position the top edge of the filter as shown in the illustration below. While pressing up against the spring, rotate the bottom edge of the filter into position next to the grease cup. Gloves should be worn when handling filters.

The illustration below shows a 27" (686) deep wall hood, with the filter sloping up from front to back. For low-profile and 24" (610) deep hoods, the filter will slope down from front to back.



Filter installation.

Wolf Nameplate

The Wolf logo nameplate does not come installed on the hood since there are various locations that the nameplate can be attached.

Once you've decided on the location for the nameplate, clean the mounting area with rubbing alcohol. Remove the backing paper from the nameplate. Position the nameplate aligned parallel with the bottom edge of the hood and press into place.

Blower Assemblies

Pro ventilation hoods are shipped without the blower assembly. Internal, in-line and remote blowers are available through your authorized Wolf dealer. For local dealer information, visit the find a showroom section of our website, wolfappliance.com.

The blower will vary in size and is dictated by the cooking surface, the volume of air that needs to be moved and the length of the duct run. Refer to ventilation recommendations in the Wolf design guide.

IMPORTANT NOTE: Use only a Wolf blower with the pro ventilation hood.

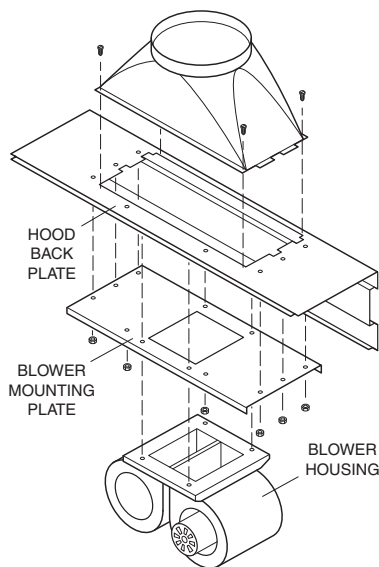
IMPORTANT NOTE: Refer to specific installation instructions provided with each blower assembly for additional mounting and wiring instructions.

Internal Blowers

IMPORTANT NOTE: For low-profile wall hoods using the 500 CFM internal blower, refer to installation instructions provided with the blower assembly. Install the internal blower prior to mounting the hood.

IMPORTANT NOTE: For 24" (610) and 27" (686) deep wall hoods using an internal blower, refer to installation instructions provided with the blower assembly. Install the internal blower to the hood back plate assembly prior to mounting the hood.

IMPORTANT NOTE: Use wire connectors or wire nuts approved by UL or C/UL.

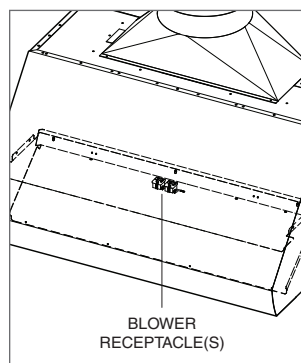


Internal blower assembly.

BLOWER INSTALLATION—24" AND 27" WALL HOODS

- Assemble the blower housing to the blower mounting plate. Follow installation instructions included with the blower assembly for proper installation.
- Attach the blower assembly to the hood back plate. To attach, slide the blower mounting plate over the weld studs and secure with eight nuts (provided with the blower). Refer to the illustration.
- Verify that the blower discharge aligns with the discharge cut-out in the hood back plate.
- Install the hood and blower assembly to the wall. Secure the power cord(s) without damaging or pinching while installing the hood.
- Follow hood installation instructions on pages 12–13 for low-profile wall hoods, and pages 14–16 for 24" (610) and 27" (686) deep wall hoods.
- Once the hood installation is complete, plug the blower power cord(s) into receptacle(s) located near the center of the hood shell. Refer to the illustration below. Use the clips on the interior of the hood to secure excess power cord.

IMPORTANT NOTE: Before turning the power on to the ventilation hood, make sure the blower is off.



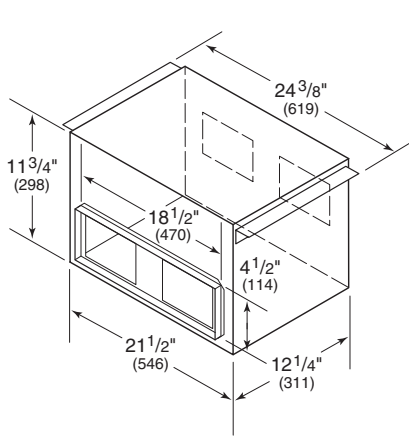
Location of receptacle(s).

In-Line and Remote Blowers

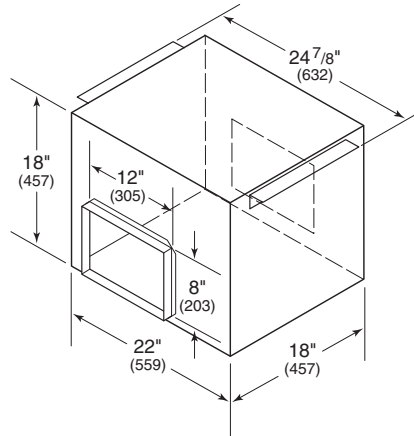
Locate the blower so that the length of the duct run and number of elbows and transitions are kept to a minimum. The duct run should be no longer than 50' (15 m). If possible, remote blowers should be located between wall studs or roof rafters. Avoid pipes, wires and other ductwork. Be sure there is enough space for transitions needed between the blower and connecting ductwork. For best performance, locate transitions nearest the blower.

Refer to the illustrations below for overall dimensions of Wolf in-line and remote blowers. Installation instructions shipped with each Wolf ventilation product provide detailed specifications. These instructions can also be found on our website, wolfappliance.com/specs.

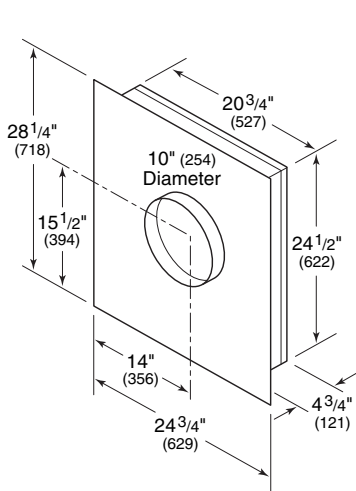
IN-LINE AND REMOTE BLOWER DIMENSIONS



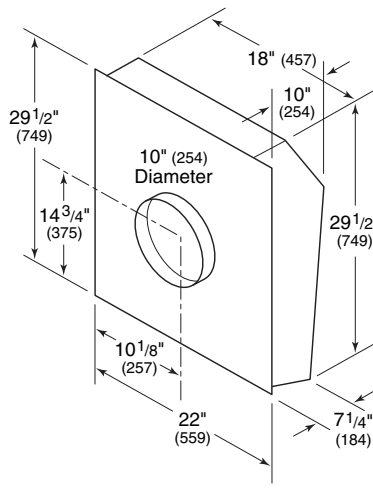
600 CFM in-line blower.



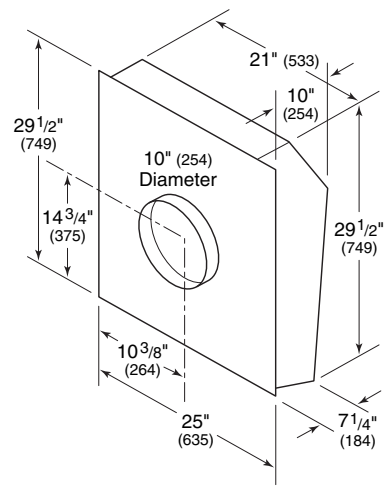
1100 CFM in-line blower.



600 CFM and 900 CFM remote blower.



1200 CFM remote blower.



1500 CFM remote blower.

In-Line and Remote Blowers

BLOWER INSTALLATION

IMPORTANT NOTE: Refer to specific installation instructions provided with each blower assembly for additional mounting and wiring instructions.

IMPORTANT NOTE: Use wire connectors or wire nuts approved by UL or C/UL.

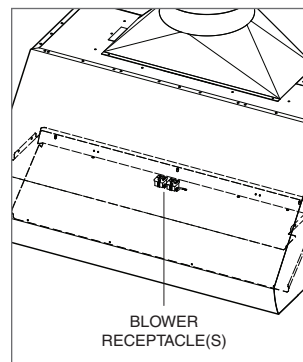
- Follow specific wiring instructions provided with each blower. Black (L1) to black, white (neutral) to white, or white to blue, or white to brown (depending on model) and green to grounding screw. Run ROMEX cable to the hood.
- Insert 6" (152) of ROMEX cable through the knockout opening and into the electrical box on the back plate of the hood. Secure the cable to the electrical box with an appropriate connector.
- Locate the cord assembly provided with the blower. The cord assembly has two leads, black (L1) and white (neutral). Connect these leads to the leads from the blower, black to black and white to white.
- Connect all green and bare wires together to the ground screw in the electrical box.

- Plug the cord assembly into the receptacle located near the center of the hood shell. Refer to the illustration below. Use the clips on the interior of the hood to secure excess power cord.
- Reinstall the electrical box cover and screws in the upper right-hand corner of the hood. Make sure all wires are secure and that no wires are pinched between the cover and box.

IMPORTANT NOTE: Before turning the power on to the ventilation hood, make sure the blower is off.

⚠ WARNING

When making electrical connections, make sure the electrical power is turned off at the power source or circuit breaker before proceeding.



Location of receptacle(s).

Troubleshooting

IMPORTANT NOTE: If the pro ventilation hood does not operate properly, follow these troubleshooting steps:

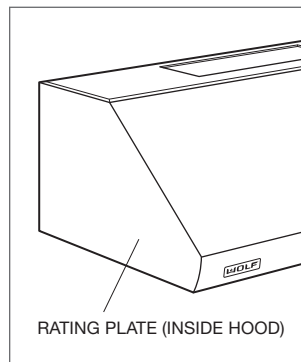
- Verify that electrical power is being supplied to the ventilation hood.
- Check electrical connections to ensure that the installation has been completed correctly.
- Refer to the troubleshooting guide in the Wolf pro ventilation hoods use & care guide.
- If the ventilation hood still does not operate properly, contact a Wolf authorized service center. Do not attempt to repair the ventilation hood yourself. Wolf is not responsible for service required to correct a faulty installation.

Service Information

If service is necessary, maintain the quality built into your ventilation hood by calling a Wolf authorized service center.

To obtain the name and number of a Wolf authorized service center, check the contact & support section of our website, wolfappliance.com or call Wolf customer service at 800-332-9513.

When calling for service, you will need the model and serial numbers of the ventilation hood. This information is found on the product rating plate, located inside the left wall of the hood shell. Refer to the illustration below.



Location of rating plate.



The information and images in this guide are the copyright property of Wolf Appliance, Inc. Neither this guide nor any information or images contained herein may be copied or used in whole or in part without the express written permission of Wolf Appliance, Inc. ©Wolf Appliance, Inc. all rights reserved.



WOLF APPLIANCE, INC. P. O. BOX 44848 MADISON, WI 53744 WOLFAPPLIANCE.COM 800.332.9513

811504 REV-B

4/2010



Free Manuals Download Website

<http://myh66.com>

<http://usermanuals.us>

<http://www.somanuals.com>

<http://www.4manuals.cc>

<http://www.manual-lib.com>

<http://www.404manual.com>

<http://www.luxmanual.com>

<http://aubethermostatmanual.com>

Golf course search by state

<http://golfingnear.com>

Email search by domain

<http://emailbydomain.com>

Auto manuals search

<http://auto.somanuals.com>

TV manuals search

<http://tv.somanuals.com>