

CATALOG OF REPLACEMENT PARTS



GAS CONVECTION OVENS

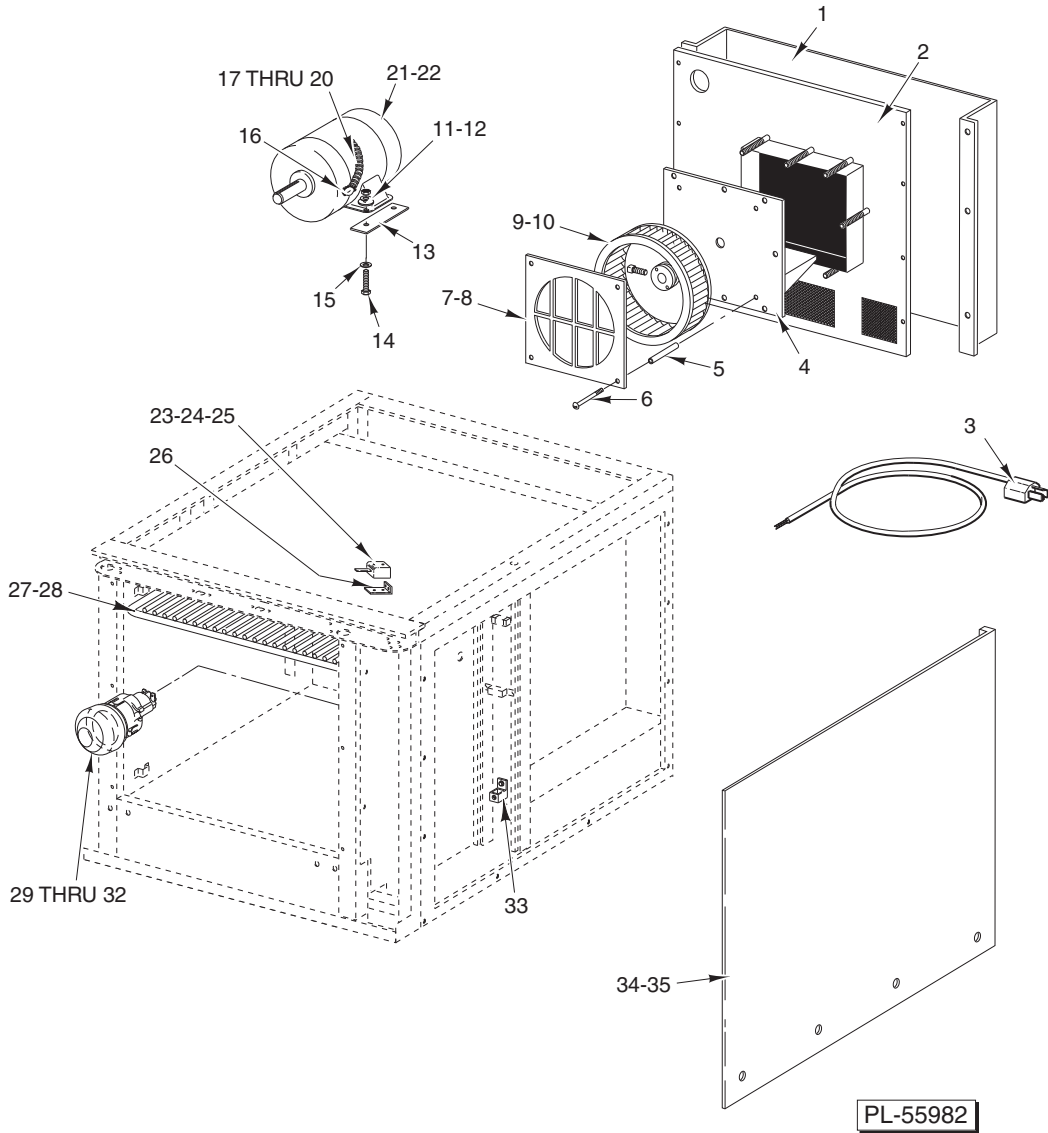
WKG	ML-126620
WKGD	ML-126621
WKGC	ML-126622
WKGX	ML-126623
WKGDX	ML-126624
WKGDX	ML-126625
WLGO	ML-136758

For additional information on Wolf Range or to locate an authorized parts and service provider in your area, visit our website at www.wolfrange.com

WOLF RANGE
DIVISION OF ITW FOOD EQUIPMENT GROUP, LLC
WWW.WOLFRANGE.COM

P.O. BOX 696, LOUISVILLE, KY 40201-0696
TEL. (800) 814-2028

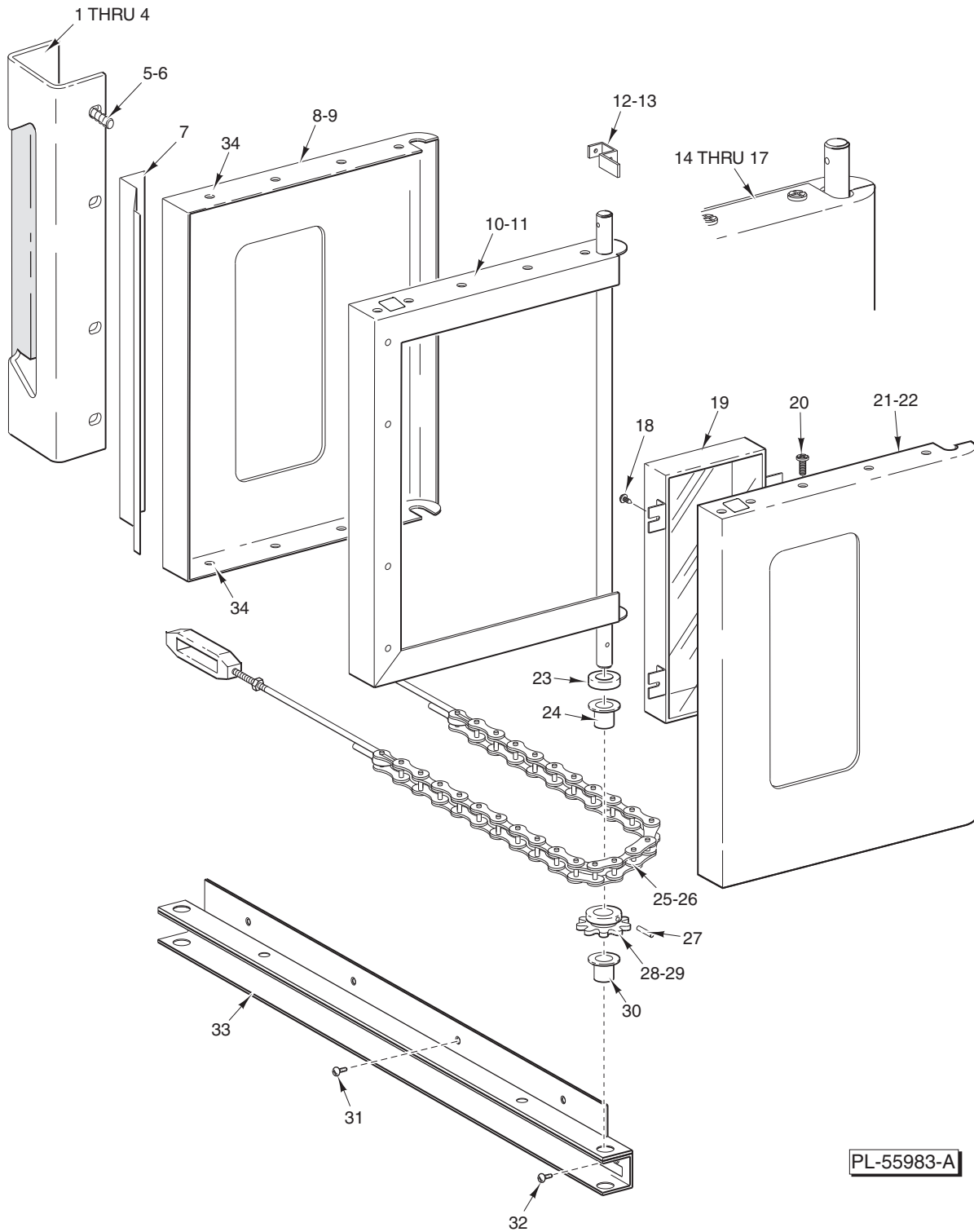
FORM 43033 Rev D (July 2008)



OVEN PANELS

OVEN PANELS

ILLUS.	PART NO.	NAME OF PART	AMT.
	PL-55982		
1	00-424840-00002	Panel – Back (SST) (Optional)	1
2	00-424153-000G1	Back – Panel Assy.	1
3	00-405016-00001	Cord – Electric Supply (120 V. Only)	1
4	00-423289-000G1	Motor Mount	1
5	00-411289-00004	Spacer – Fan Housing	4
6	SC-120-15	Mach. Screw 1/4-20 x 4 Rd. Hd.	4
7	00-411136-00004	Fan – Cover (60 Hz.)	1
8	00-411136-00003	Fan – Cover (50 Hz.)	1
9	00-415780-00003	Wheel – Blower (60 Hz.)	1
10	00-415780-00005	Wheel – Blower (50 Hz.)	1
11	WS-029-46	Washer	4
12	NS-046-86	Nut Assy. 5/16-18 KEPS Hex	4
13	00-358723-00001	Spacer – Steel	2
14	SC-113-65	Cap Screw 9/16-18 x 1 1/4 Hex Hd.	4
15	WS-029-46	Washer	4
16	FE-002-52	Connector – Conduit 3/8 TS (90 Deg.)	1
17	FE-006-05	Lock Nut 1/2	1
18	00-414540-00B35	Conduit 3/8 x 35 Lg.	1
19	00-342285-00001	Bushing – Plastic	2
20	FE-002-03	Connector – Conduit 3/8 TS Straight	1
21	00-358516-00001	Motor 1/2 Hp. (2 Speed) (115/50/60/1)	1
22	00-358516-00002	Motor 1/2 Hp. (2 Speed) (208-240/50/60/1)	1
23	00-411496-000F1	Switch – Micro	1
24	NS-038-08	Lock Nut 1/4-20 Hex	2
25	WS-029-49	Washer	2
26	00-425324-00001	Bracket – Door Switch	1
27	00-411265-00011	Rack Assy. (WKG, WKGD, WKGC)	AR
28	00-411265-00010	Rack Assy. (WKGX, WKGD, WKGCX)	AR
29	00-357036-00001	Oven Lamp (40 W.) (120-130 V.)	2
30	00-357036-00002	Oven Lamp (40 W.) (250 V.)	2
31	00-423832-00001	Cover – Light (Metal)	2
32	00-357036-00003	Lens – Lamp (Glass)	1
33	00-417856-00001	Lug – Grounding (With Set Screw)	1
34	00-424140-00002	Panel – Outer (RH) (SST) (WKG, WKGD, WKGC)	1
	00-424140-00005	Panel – Outer (RH) (Aluminized) (WLGO)	1
35	00-424228-00002	Panel – Outer (RH) (SST) (WKGX, WKGD, WKGCX)	1
	00-427617-00001	Flue – Deflector Assy.	1
	00-413627-000G1	Tube – Snorkel Assy.	1
	00-402558-00004	Clip – Bulb	2
	00-346358-00002	Thermostat (High Limit) (With Mounting Plate)	1
	00-346357-00001	Thermostat (High Limit)	1

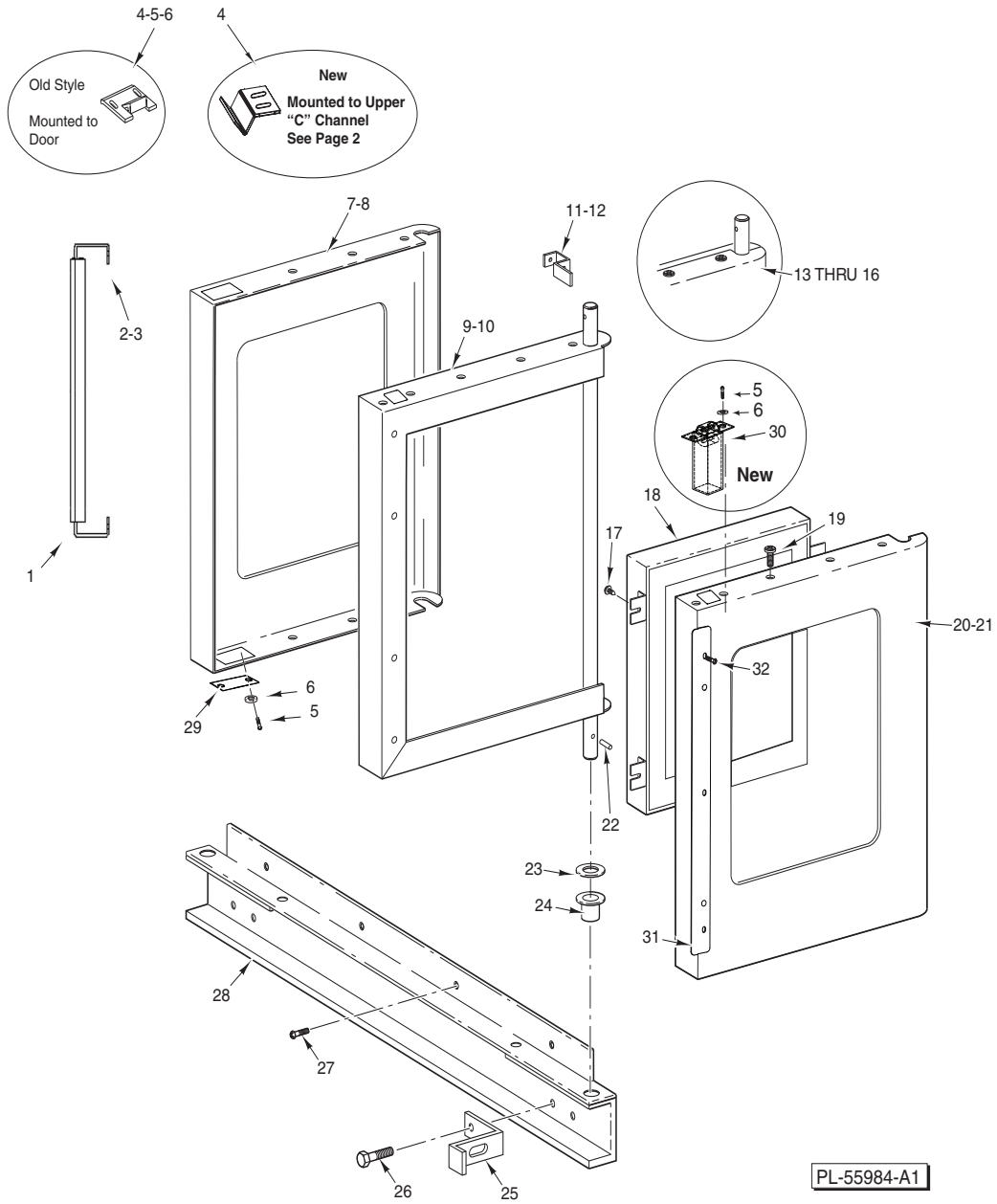


PL-55983-A

**DOOR ASSEMBLY
(SIMULTANEOUSLY OPENING DOORS)**

DOOR ASSEMBLY (SIMULTANEOUSLY OPENING DOORS)

ILLUS.	PART NO.	NAME OF PART	AMT.
PL-55983-A			
1	00-356562-00001	Handle – Door	1
2	00-356563-00001	Grip – Front	1
3	00-356563-00002	Grip – Rear	1
4	SC-113-98	Mach. Screw 10-24 x 1/2 Hex Washer Hd.	3
5	SC-041-01	Cap Screw 1/4-20 x 3/4 Hex Hd. (SST)	4
6	WL-019-37	Lockwasher 1/4 Light	4
7	00-356550-00001	Latch – Friction	1
8	00-421913-00002	Shell – Outer Door (RH) (W/O Window)	1
	00-421913-00004	Shell – Outer Door (LH) (W/O Window)	1
9	00-421913-00001	Shell – Outer Door (RH) (W/Window)	1
	00-421913-00003	Shell – Outer Door (LH) (W/Window)	1
10	00-421904-000G1	Frame Assy. – Door (LH)	1
11	00-421905-000G1	Frame Assy. – Door (RH)	1
12	00-424163-00001	Lever – Door Switch	1
13	SD-034-52	Self-Tapping Screw 8-32 x 1 Hex Washer Hd., Type T	1
14	00-499289-000G1	Door Assy. (LH) (W/Window) (Chain Door) (New Style)	1
	00-424730-00001	Door Assy. (LH) (W/Window) (Chain Door) (Old Style)	1
15	00-499289-000G2	Door Assy. (LH) (W/O Window) (Chain Door) (New Style)	1
	00-424730-00002	Door Assy. (LH) (W/O Window) (Chain Door) (Old Style)	1
16	00-499290-000G1	Door Assy. (RH) (W/Window) (Chain Door) (New Style)	1
	00-424731-00001	Door Assy. (RH) (W/Window) (Chain Door) (Old Style)	1
17	00-499290-000G2	Door Assy. (RH) (W/O Window) (Chain Door) (New Style)	1
	00-424731-00002	Door Assy. (RH) (W/O Window) (Chain Door) (Old Style)	1
18	SD-034-62	Self-Tapping Screw 10-32 x 1/2 Hex Washer Hd., Type T	4
19	00-358534-00001	Window Assy.	1
20	SD-034-22	Mach. Screw 10-32 x 1/2 Phil. Pan Hd.	9
21	00-358532-00001	Shell – Inner Door (RH & LH) (W/Window)	1
22	00-358533-00003	Shell – Inner Door (RH & LH) (W/O Window)	1
23	00-343143-00002	Washer	2
24	00-347080-00002	Bearing – Door Shaft	2
25	00-343608-00002	Door Chain & Turnbuckle Assy.	2
26	00-352667-00001	Cable – Door Stop	1
27	PS-004-11	Spiral Pin 3/16 x 1 1/4 Heavy	2
28	00-342166-00001	Sprocket – Door Shaft	2
29	SC-047-28	Set Screw 1/4-28 x 3/8 Hex Hdls., Cup Pt.	2
30	00-347080-00002	Bearing – Door Shaft	2
31	SC-022-40	Mach. Screw 1/4-20 x 3/4 Phil. Flat Hd.	4
32	SC-113-90	Mach. Screw 1/4-20 x 3/4 Hex Hd.	2
33	00-499300-000G1	Channel – Door Sill Weldment (Chain) (New Style)	1
	00-357846-00001	Channel – Door Sill Weldment (Old Style)	1
34	SC-117-73	Screw, Roller Latch, Plate	2

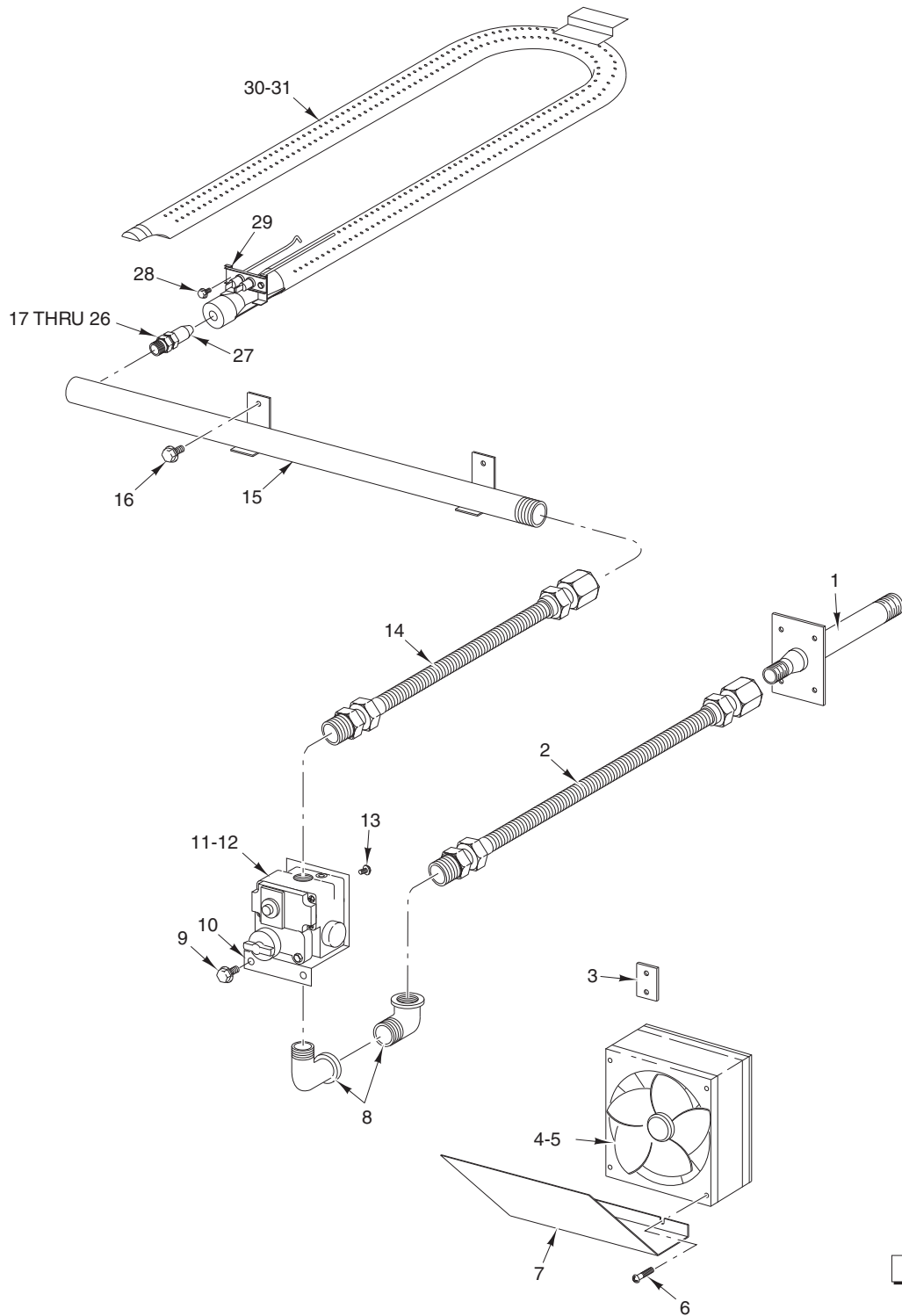


**DOOR ASSEMBLY
(INDEPENDENTLY OPENING DOORS)**

DOOR ASSEMBLY (INDEPENDENTLY OPENING DOORS)

ILLUS.	PART NO.	NAME OF PART	AMT.
	PL-55984-A1		
1	00-357929-00001	Handle – Door (Black)	1
2	SC-041-01	Cap Screw 1/4-20 x 3/4 Hex Hd. (SST)	2
3	WL-019-37	Lockwasher 1/4 Light	2
4	00-497585-00001	Strike Plate (New Style) (Attaches to Upper "C" Channel) (See Pg. 16)	2
	00-423847-00001	Strike – Door (Old Style) (Mounted to Door)	1
5	SC-117-73	Mach. Screw	4
6	WL-019-35	Lockwasher	4
7	00-358600-00001	Shell – Outer Door (RH & LH) (W/Window)	1
8	00-358600-00002	Shell – Outer Door (RH & LH) (W/O Window) (Not Shown)	1
9	00-421905-000G1	Frame Assy. – Door (RH)	1
10	00-421904-000G2	Frame Assy. – Door (LH)	1
11	00-424163-00001	Lever – Door Switch	1
12	SD-034-52	Self-Tapping Screw 8-32 x 1 Hex Washer Hd., Type T	1
13	00-499285-000G1	Door Assy. (LH) (W/Window) (Independent Doors) (New Style)	1
	00-358529-00005	Door Assy. (LH) (W/Window) (Independent Doors) (Old Style)	1
14	00-499285-000G2	Door Assy. (LH) (W/O Window) (Independent Doors) (New Style)	1
	00-358529-00006	Door Assy. (LH) (W/O Window) (Independent Doors) (Old Style)	1
15	00-499286-000G1	Door Assy. (RH) (W/Window) (Independent Doors) (New Style)	1
	00-358530-00003	Door Assy. (RH) (W/Window) (Independent Doors) (Old Style)	1
16	00-499286-000G2	Door Assy. (RH) (W/O Window) (Independent Doors) (New Style)	1
	00-358530-00004	Door Assy. (RH) (W/O Window) (Independent Doors) (Old Style)	1
17	SD-034-62	Self-Tapping Screw 10-32 x 1/2 Hex Washer Hd., Type T	4
18	00-358534-00001	Window Assy.	1
19	SD-034-22	Mach. Screw 10-32 x 1/2 Phil. Pan Hd.	8
20	00-358532-00001	Shell – Inner Door (RH & LH) (W/Window)	1
21	00-358533-00003	Shell – Inner Door (RH & LH) (W/O Window)	1
22	PS-004-11	Spiral Pin 3/16 x 1 1/4 Heavy	1
23	00-347080-00002	Bearing – Door Shaft	1
24	00-343143-00002	Washer	2
25	00-499263-00001	Door Stop (New Style)	1
	00-424158-00001	Door Stop (Old Style)	1
26	SC-113-90	Mach. Screw 1/4-20 x 3/4 Hex Hd.	2
27	SC-022-40	Mach. Screw 1/4-20 x 3/4 Phil. Flat Hd.	4
28	00-499262-00001	Channel – Door Sill Weldment (New Style)	1
	00-357846-00001	Channel – Door Sill Weldment (Old Style)	1
29	00-499264-00001	Cover, Cutout	1
30	00-497586-00001	Roller Latch (New Style) (Mounted to Top of Doors)	2
	00-347545-00001	Roller Ball Door Latch (Old Style) (Mounted to "C" Channel)	1
31	00-357837-00001	Door End Seal (LH Door)	1
32	SC-113-78	Mach. Screw	3
	00-423848-00001	Shim – Door Strike	AR

NOTE: When ordering items 7 or 8 for an old style oven, 2 of part 499264-1, 4 of part SC-117-73 and 4 of part WL-019-35 are also needed.

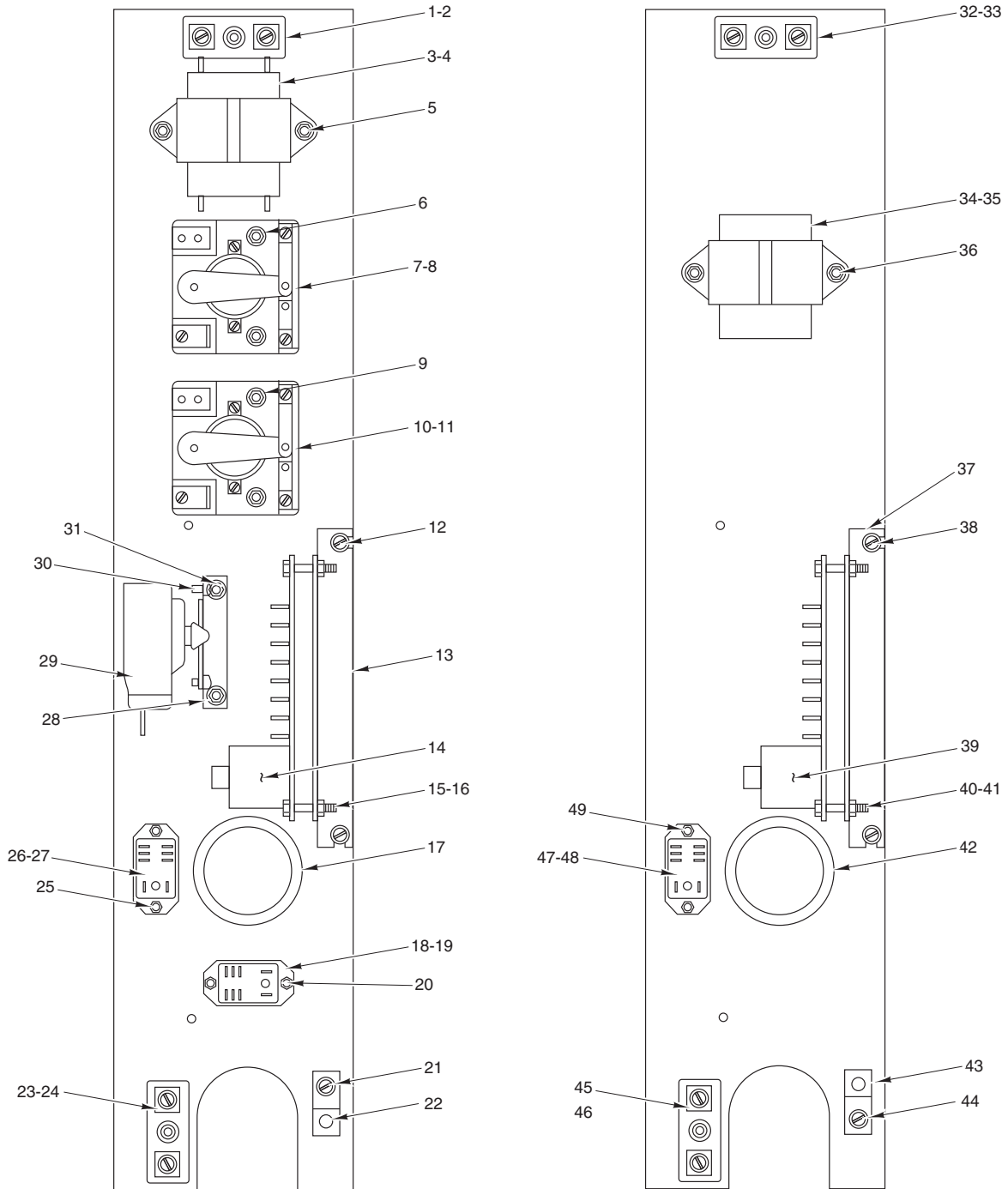


PL-55985

GAS PIPING AND FLAME CHAMBER

GAS PIPING AND FLAME CHAMBER

ILLUS.	PART NO.	NAME OF PART	AMT.
PL-55985			
1	00-423819-00003	Pipe – Weldment Gas Inlet	1
2	00-423828-00001	Tube – Flex (30") (Prior to March 15, 2005)	1
	00-423828-00006	Tube – Flex (30" LG 3/8 MPT) (March 15, 2005 to Present)	1
3	00-425433-00001	Fan – Clip	1
4	00-424940-00001	Fan – Cooling (120 V.)	1
5	00-424940-00002	Fan – Cooling (230 V.)	1
6	SD-034-52	Self-Tapping Screw 8-32 x 1 Hex Washer Hd., Type T	2
7	00-423820-00001	Deflector – Air	1
8	FP-013-17	Elbow – Street 1/2 x 90 Deg.	2
9	SC-113-80	Cap Screw 1/4-20 x 1/2 Hex Hd.	4
10	00-424728-00001	Bracket – Gas Valve	1
11	00-410841-00018	Valve – Gas Control (NAT) (Prior to March 15, 2005)	1
	00-497269-00001	Valve – Gas Control (NAT) (March 17, 2005 to Present)	1
12	00-410841-00019	Valve – Gas Control (PRO/BUT) (Prior to March 15, 2005)	1
	00-497269-00002	Valve – Gas Control (PRO/BUT) (March 17, 2005 to Present)	1
13	SC-117-60	Mach. Screw 10-32 x 1 1/4 Oval Hd.	2
14	00-423828-00002	Tube – Flex (Prior to March 15, 2005)	1
	00-423828-00007	Tube – Flex (18" LG 3/8 MPT) (March 15, 2005 to Present)	1
15	00-424138-00001	Manifold	1
16	SC-113-80	Cap Screw 1/4-20 x 1/2 Hex Hd.	2
17	00-010901-00030	Orifice – Spud (30 Drill) (NAT) (Sea Level to 2000 Ft.)	1
18	00-010901-00032	Orifice – Spud (32 Drill) (NAT) (2000 to 2499 Ft.)	1
19	00-010901-00034	Orifice – Spud (34 Drill) (NAT) (3500 to 4499 Ft.)	1
20	00-010901-00035	Orifice – Spud (35 Drill) (NAT) (2000 to 4000 Ft.)	1
21	00-010901-00036	Orifice – Spud (36 Drill) (NAT) (4000 to 8000 Ft.)	1
22	00-010901-00037	Orifice – Spud (37 Drill) (NAT) (8500 to 10500 Ft.)	1
23	00-010901-00048	Orifice – Spud (48 Drill) (PRO/BUT) (Sea Level to 2499 Ft.)	1
24	00-010901-00049	Orifice – Spud (49 Drill) (PRO/BUT) (2500 to 4499 Ft.)	1
25	00-010901-00050	Orifice – Spud (50 Drill) (PRO/BUT) (4500 to 7499 Ft.)	1
26	00-010901-00051	Orifice – Spud (51 Drill) (Sea Level to 2000 Ft.)	1
27	00-417879-00001	Nozzle – Pilot Burner	1
28	SD-034-49	Self-Tapping Screw 8-32 x 1/2 Hex Washer Hd., Type T	2
29	00-424194-00001	Ignitor – Flame Detector	1
30	00-424135-000G1	Burner Assy. (WKG, WKGD, WKGC, WLGO)	1
31	00-424195-000G1	Burner Assy. (WKGX, WKGD, WKGCX)	1
	00-424191-000G1	Burner Access Cover	1

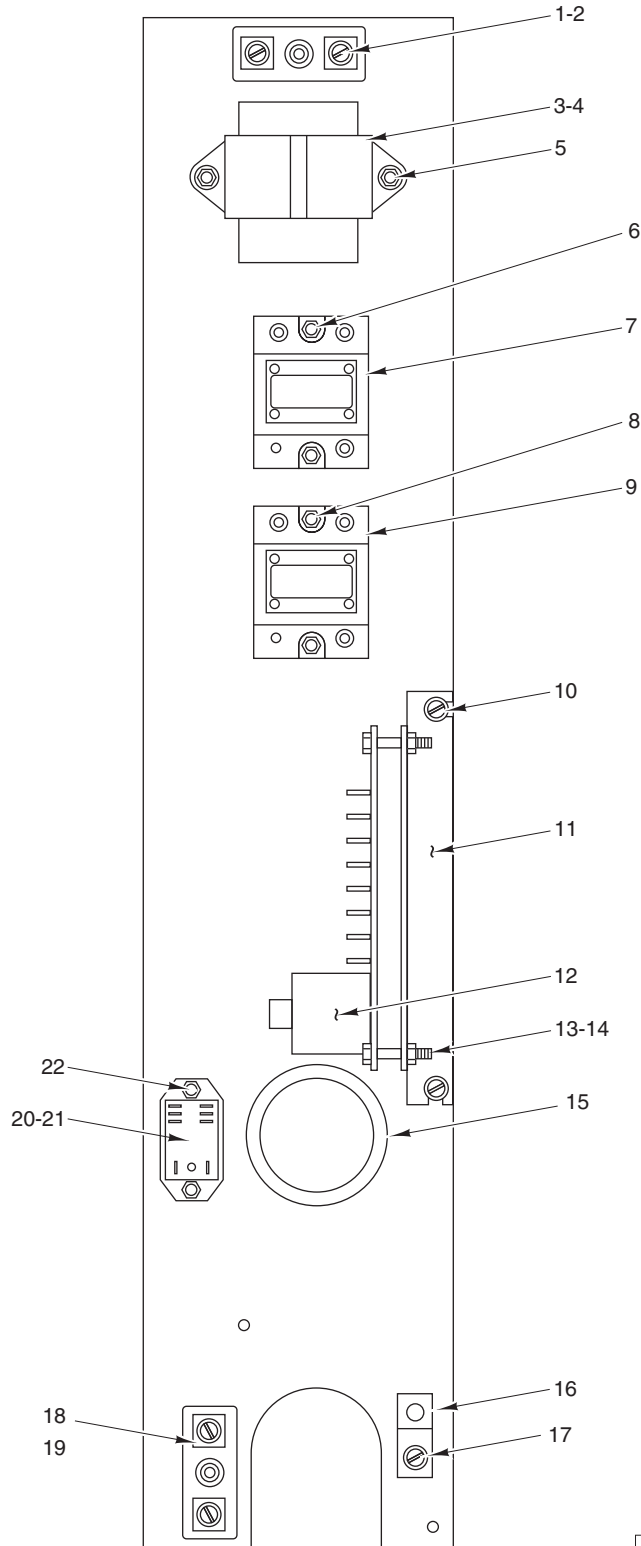


PL-55986

ELECTRICAL COMPONENT PANEL

ELECTRICAL COMPONENT PANEL

ILLUS.	PART NO.	NAME OF PART	AMT.
	PL-55986		
1	00-417934-000G1	Block – Porcelain Assy.	1
2	SD-034-52	Self-Tapping Screw 8-32 x 1 Hex Washer Hd., Type T	1
3	00-421758-000G1	Transformer (120 V.) (24 V. Output)	1
4	00-421758-000G2	Transformer (208-240 V.) (24 V. Output)	1
5	SD-032-07	Self-Tapping Screw 10-24 x 1/2 Hex Washer Hd., Type TT	2
6	SD-034-52	Self-Tapping Screw 8-32 x 1 Hex Washer Hd., Type T	2
7	00-411497-000A1	Relay (1 Pole) (120 V.)	1
8	00-411497-000A2	Relay (1 Pole) (200 V.)	1
9	SD-034-52	Self-Tapping Screw 8-32 x 1 Hex Washer Hd., Type T	2
10	00-411497-000A1	Relay (1 Pole) (120 V.)	1
11	00-411497-000A2	Relay (1 Pole) (200 V.)	1
12	SD-032-07	Self-Tapping Screw 10-24 x 1/2 Hex Washer Hd., Type TT	2
13	00-423760-00001	Bracket – Ignition Module	1
14	00-424137-00002	Control – Spark Ignition	1
15	SD-034-52	Self-Tapping Screw 8-32 x 1 Hex Washer Hd., Type T	2
16	NS-044-07	Nut Assy. 8-32 Hex KEPS	2
17	FE-024-23	Bushing – Electrical (Snap)	1
18	00-416535-00006	Relay – Heating (120 V.)	1
19	00-416535-00007	Relay – Heating (200-240 V.)	1
20	SD-034-49	Self-Tapping Screw 8-32 x 1/2 Hex Washer Hd., Type T	2
21	SD-032-07	Self-Tapping Screw 10-24 x 1/2 Hex Washer Hd., Type TT	1
22	00-417856-00001	Lug – Grounding (With Set Screw)	1
23	00-417934-000G1	Porcelain – Block Assy.	1
24	SD-034-52	Self-Tapping Screw 8-32 x 1 Hex Washer Hd., Type T	1
25	SD-034-49	Self-Tapping Screw 8-32 x 1/2 Hex Washer Hd., Type T	2
26	00-416535-00006	Relay – Heating (120 V.)	1
27	00-416535-00007	Relay – Heating (200-240 V.)	1
28	00-424832-00001	Bracket – Mounting	1
29	00-413764-00001	Thermostat (Roast & Hold)	1
30	SC-114-83	Mach. Screw 6-32 x 1/4 Pan Hd.	2
31	SD-032-07	Self-Tapping Screw 10-24 x 1/2 Hex Washer Hd., Type TT	2
32	00-417934-000G1	Porcelain – Block Assy.	1
33	SD-034-52	Self-Tapping Screw 8-32 x 1 Hex Washer Hd., Type T	1
34	00-411500-00012	Transformer (120 V.) (24 V. Output)	1
35	00-411500-00013	Transformer (208-240 V.) (24 V. Output)	1
36	SD-032-07	Self-Tapping Screw 10-24 x 1/2 Hex Washer Hd., Type TT	2
37	00-423760-00001	Bracket – Ignition Module	1
38	SD-032-07	Self-Tapping Screw 10-24 x 1/2 Hex Washer Hd., Type TT	1
39	00-424137-00002	Control – Spark Ignition	1
40	SD-034-52	Self-Tapping Screw 8-32 x 1 Hex Washer Hd., Type T	2
41	NS-044-07	Nut Assy. 8-32 Hex KEPS	2
42	FE-024-23	Bushing – Electrical (Snap)	1
43	00-417856-00001	Lug – Grounding (With Set Screw)	1
44	SD-032-07	Self-Tapping Screw 10-24 x 1/2 Hex Washer Hd., Type TT	1
45	00-417934-000G1	Porcelain – Block Assy.	1
46	SD-034-52	Self-Tapping Screw 8-32 x 1 Hex Washer Hd., Type T	1
47	00-416535-00006	Relay – Heating (120 V.)	1
48	00-416535-00007	Relay – Heating (200-240 V.)	1
49	SD-034-49	Self-Tapping Screw 8-32 x 1/2 Hex Washer Hd., Type T	1
	00-353589-00001	Probe Temperature (WKGD, WKGDX)	1
	00-423813-00003	Wire – Ignition (High Voltage)	1
	00-428428-000g1	Flame Sensor Wire	1

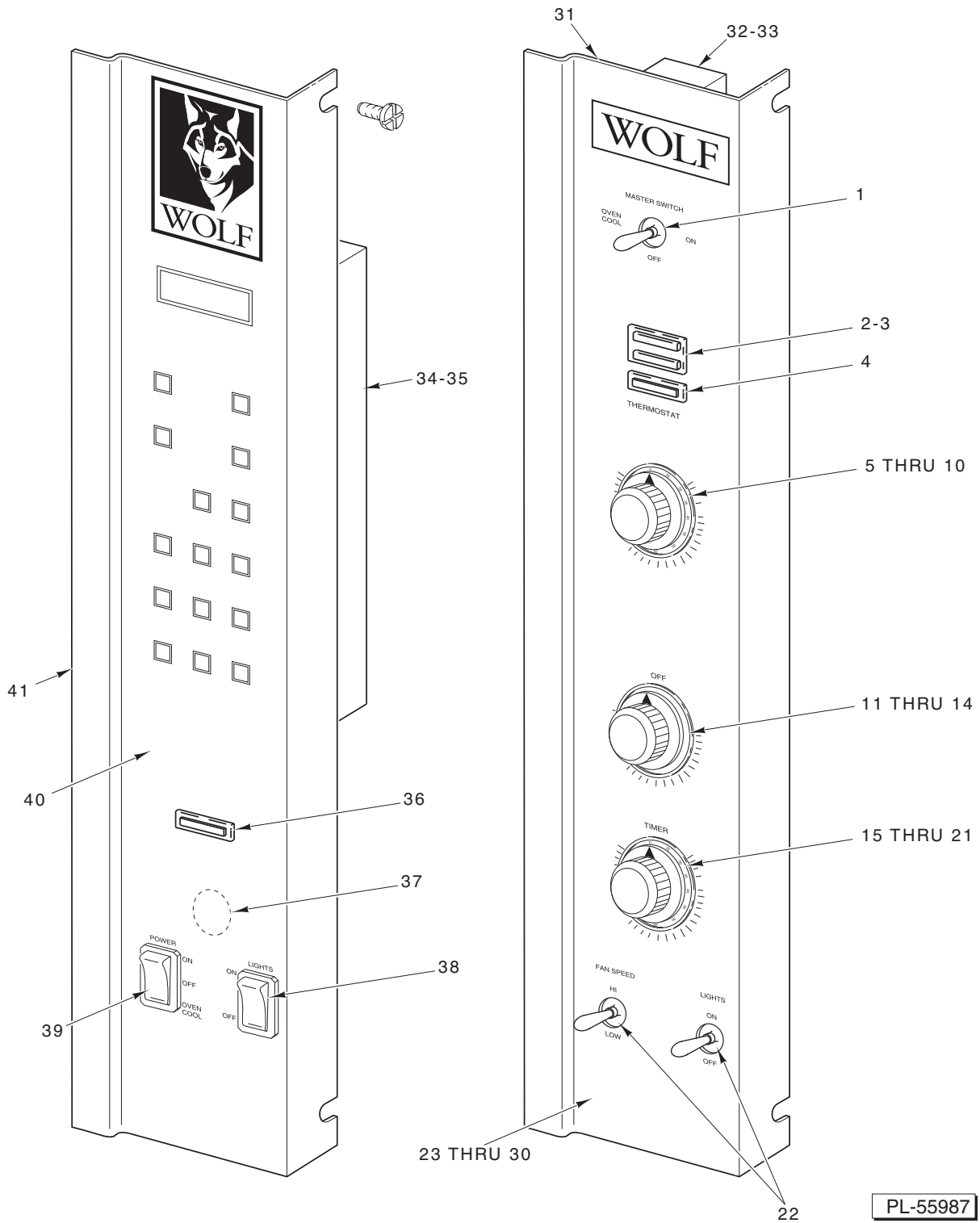


PL-55989

**ELECTRICAL COMPONENT PANEL
(PROGRAMABLE)**

**ELECTRICAL COMPONENT PANEL
(PROGRAMMABLE)**

ILLUS.	PART NO.	NAME OF PART	AMT.
PL-55989			
1	00-417934-000G1	Porcelain – Block Assy.	1
2	SD-034-52	Self-Tapping Screw 8-32 x 1 Hex Washer Hd., Type T	1
3	00-421758-000G1	Transformer (120 V.) (24 V. Output)	1
4	00-421758-000G2	Transformer (208-240 V.) (24 V. Output)	1
5	SD-032-07	Self-Tapping Screw 10-24 x 1/2 Hex Washer Hd., Type TT	2
6	SD-034-52	Self-Tapping Screw 8-32 x 1 Hex Washer Hd., Type T	4
7	00-821875-00002	Relay – Solid State (50 Amp.)	2
8	SD-034-52	Self-Tapping Screw 8-32 x 1 Hex Washer Hd., Type T	4
9	00-821875-00002	Relay – Solid State (50 Amp.)	2
10	SD-032-07	Self-Tapping Screw 10-24 x 1/2 Hex Washer Hd., Type TT	1
11	00-423760-00001	Bracket – Ignition Module	1
12	00-424137-00002	Control – Spark Ignition	1
13	SD-034-52	Self-Tapping Screw 8-32 x 1 Hex Washer Hd., Type T	2
14	NS-044-07	Nut Assy. 8-32 Hex KEPS	2
15	FE-024-23	Bushing – Electrical (Snap)	1
16	00-417856-00001	Lug – Grounding (With Set Screw)	1
17	SD-032-07	Self-Tapping Screw 10-24 x 1/2 Hex Washer Hd., Type TT	1
18	SD-034-52	Self-Tapping Screw 8-32 x 1 Hex Washer Hd., Type T	1
19	00-417934-000G1	Porcelain – Block Assy.	1
20	00-416535-00006	Relay – Heating (120 V.)	1
21	00-416535-00007	Relay – Heating (200-240 V.)	1
22	SD-034-49	Self-Tapping Screw 8-32 x 1/2 Hex Washer Hd., Type T	2
	00-920883-00003	Probe Temperature (WKGC, WKGCX)	1
	00-423813-00003	Wire – Ignition (High Voltage)	1
	00-428428-000G1	Flame Sensor Wire	1

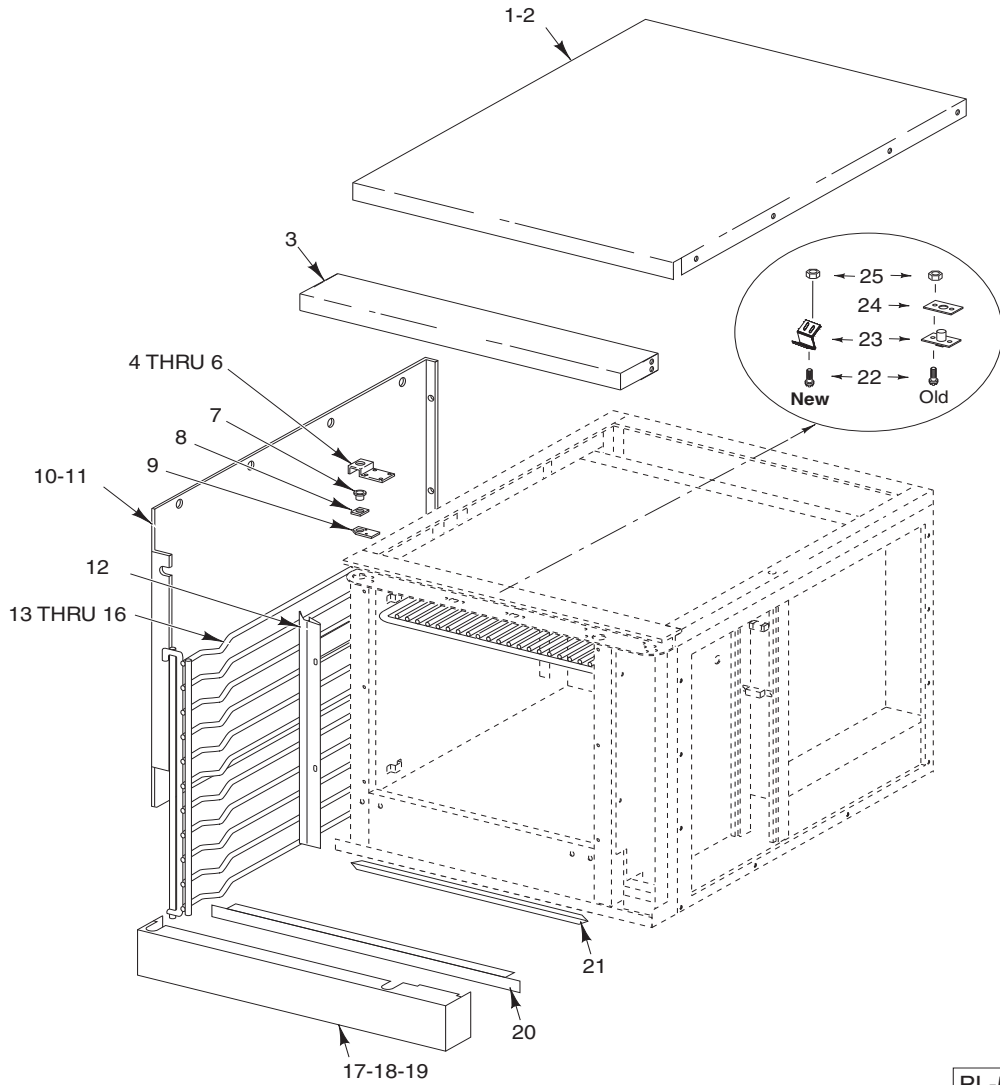


PL-55987

CONTROL PANEL

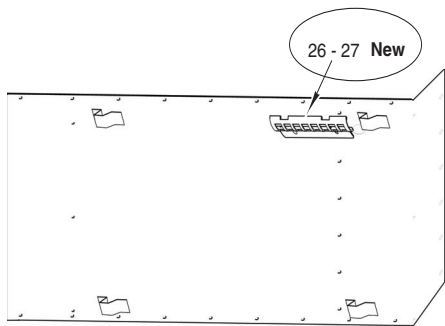
CONTROL PANEL

ILLUS.	PART NO.	NAME OF PART	AMT.
	PL-55987		
1	00-340324-00008	Switch	1
2	00-354575-00002	Light – Indicator (110-120 V.)	1
3	00-354575-00001	Light – Indicator (200-240 V.)	1
4	00-354575-00004	Light – Indicator	1
5	00-411242-00001	Knob	1
6	00-353613-00002	Temperature Control Board (WKGD, WKGDGX)	1
7	00-411506-00003	Thermostat (KX Units Built Prior to 02/2001)	1
8	SC-114-82	Mach. Screw 4-40 x 5/16 Rd. Hd. (Use With Item 6)	2
9	WS-024-20	Washer (Use With Item 6)	2
10	SC-114-83	Mach. Screw 6-32 x 1/4 Slotted Pan Hd. (Use With Item 7)	2
11	00-411242-00001	Knob	1
12	00-411690-00003	Timer (120 V.) (60 Hz.) (5 Hr.)	1
13	00-411690-00004	Timer (240 V.) (60 Hz.) (5 Hr.)	1
14	00-411690-00006	Timer (240 V.) (50 Hz.) (5 Hr.)	1
15	00-411242-00001	Knob	1
16	00-411690-00001	Timer (120 V.) (1 Hr.)	1
17	00-411690-00002	Timer (240 V.) (60 Hz.) (1 Hr.)	1
18	00-411690-00003	Timer (120 V.) (60 Hz.) (5 Hr.)	1
19	00-411690-00004	Timer (240 V.) (60 Hz.) (5 Hr.)	1
20	00-411690-00005	Timer (240 V.) (50 Hz.) (1 Hr.)	1
21	00-411690-00006	Timer (240 V.) (50 Hz.) (5 Hr.)	1
22	00-340324-00009	Switch (D.P.D.T.)	2
23	00-424213-00001	Overlay – Panel (1 Hr.) (WKGD, WKGDGX) (W/Roast & Hold) (Prior to March 15, 2005)	1
	00-497289-00001	Overlay – Panel (1 Hr.) (WKGD, WKGDGX) (W/Roast & Hold)	1
24	00-424249-00001	Overlay – Panel (5 Hr.) (WKGD, WKGDGX) (W/Roast & Hold) (Prior to March 15, 2005)	1
	00-497291-00001	Overlay – Panel (5 Hr.) (WKGD, WKGDGX) (W/Roast & Hold)	1
25	00-424204-00001	Overlay – Panel (1 Hr.) (WKGD, WKGDGX) (W/O Roast & Hold) (Prior to March 15, 2005)	1
	00-497283-00001	Overlay – Panel (1 Hr.) (WKGD, WKGDGX) (W/O Roast & Hold))	1
26	00-424240-00001	Overlay – Panel (5 Hr.) (WKGD, WKGDGX) (W/O Roast & Hold) (Prior to March 15, 2005)	1
	00-497290-00001	Overlay – Panel (5 Hr.) (WKGD, WKGDGX) (W/O Roast & Hold)	1
27	00-424203-00001	Overlay – Panel (1 Hr.) (WKG, WKGX) (W/O Roast & Hold)	1
28	00-424241-00001	Overlay – Panel (5 Hr.) (WKG, WKGX) (KX Unit W/O Roast & Hold)	1
29	00-424214-00001	Overlay – Panel (1 Hr.) (WKG, WKGX) (W/Roast & Hold)	1
30	00-424248-00001	Overlay – Panel (5 Hr.) (WKG, WKGX) (W/Roast & Hold)	1
31	00-499296-000G1	Panel – Control Weldment	1
32	00-411499-00003	Buzzer (230 V.)	1
33	00-411499-00004	Buzzer (115 V.)	1
34	NS-044-05	Nut Assy. 6-32 Hex KEPS	7
35	00-424846-00001	Controller (Watlow #734)	1
36	00-354575-00004	Light – Indicator	1
37	00-423918-00001	Beeper – Electronic	1
38	00-358628-00002	Switch – Rocker (2 Position)	1
39	00-358628-00001	Switch – Rocker (3 Position)	1
40	00-424844-00001	Overlay – Panel (WKGC, WKG CX) (Prior to March 15, 2005)	1
	00-497293-00001	Overlay – Panel (WKGC, WKG CX)	1
41	00-499301-000G1	Panel – Control Weldment	1



PL-55988-A1

OVEN PANELS



RH CAVITY SIDE

OVEN PANELS

ILLUS.	PART NO.	NAME OF PART	AMT.
	PL-55988-A1		
1	00-424141-00002	Top (SST) (WKG, WKGD, WKGX)	1
2	00-424229-00002	Top (SST) (WKGX, WKGD, WKGX)	1
	00-424141-00003	Top (Aluminized) (WLGO)	1
3	00-421799-00001	Top – Front	1
	00-957607-00001	Top – Front (WLGO)	1
4	00-353484-00001	Plate – Retainer	2
5	SC-053-46	Mach. Screw 1/4-20 x 3/4 Truss Hd. (SST)	4
6	NS-038-08	Lock Nut 1/4-20 x 1 Hex	4
7	00-347080-00002	Bearing – Door Shaft	2
8	00-353482-00001	Spacer	2
9	00-353483-00001	Plate – Upper Door Bearing	2
10	00-499302-00001	Panel – Outer (SST) (LH) (WKG, WKGD, WKGX) (New Style)	1
	00-499302-00002	Panel – Outer (Aluminized) (LH) (WLGO)	1
	00-424142-00002	Panel – Outer (SST) (LH) (WKG, WKGD, WKGX) (Old Style)	1
11	00-499303-00001	Panel – Outer (SST) (LH) (WKGX, WKGD, WKGX) (New Style)	1
	00-424230-00002	Panel – Outer (SST) (LH) (WKGX, WKGD, WKGX) (Old Style)	1
12	00-423842-000G1	Seals – Vertical Door (LH & RH)	1
13	00-342141-00001	Rack – Support (LH) (WKG, WKGD, WKGX)	1
14	00-342141-00002	Rack – Support (RH) (WKG, WKGD, WKGX)	1
15	00-424833-00001	Rack – Support (LH) (WKGX, WKGD, WKGX) (Prior to Nov. 20, 2002)	1
	00-428104-00003	Rack – Support (LH) (WKGX, WKGD, WKGX)	1
16	00-424833-00002	Rack – Support (RH) (WKGX, WKGD, WKGX) (Prior to Nov. 20, 2002)	1
	00-428104-00004	Rack – Support (RH) (WKGX, WKGD, WKGX)	1
17	00-499261-00002	Trim – Bottom (W/O Access Door) (New Style)	1
	00-957608-00001	Trim – Bottom (W/O Access Door) (WLGO)	1
	00-421797-00002	Trim – Bottom (Old Style)	1
	00-423766-000G1	Trim – Bottom (Prior to March 2007) (Incls. Items 19 & 20)	1
18	00-423758-00001	Access Door (Old Style)	1
19	00-425199-00001	Fastener – Nylon (Push-In)	2
20	00-424865-00001	Cover – Trim	1
21	00-357507-00001	Seal – Horizontal Door	2
22	SC-115-51	Mach. Screw 10-32 x 1/2 Phil. Truss Hd.	2
23	00-497585-00001	Strike Plate (New Style) (Mounted on Upper “C” Channel)	2
	00-347545-00001	Roller Ball – Door Catch (Old Style)	1
	00-423847-00001	Strike Plate (Old Style) (Mounted on Doors)	1
24	00-423848-00001	Shim – Door Strike (Old Style)	AR
25	NS-038-03	Lock Nut – SP 10-32	2
26	00-499278-00001	Probe Guard (New)	1
27	SD-032-07	Screw, 10-24 x 1/2 Hex Hd.	2
	00-423014-000G1	Roller Ball Door Catch Kit (Old Style)	1
	00-357919-00001	Door Seal Kit (Includes Items 12 & 21)	1

RECOMMENDED SPARE PARTS

PART NO.	NAME OF PART	AMT.
00-353589-00001	Thermocouple D-Models	1
00-920883-00003	Thermocouple C-Models	1
00-410841-00018	Combo Valve (Nat. Gas) (Robertshaw)	1
00-410841-00019	Combo Valve (LP Gas) (Robertshaw)	1
00-497269-00001	Combo Valve (Nat. Gas) (White Rogers)	1
00-497269-00002	Combo Valve (LP Gas) (White Rogers)	1
00-424940-00001	Cooling Fan (120V)	1
00-424940-00002	Cooling Fan (240V)	1
00-424137-00002	Spark Ignition Control	1
00-423813-00003	Ignition Wire "High Voltage"	1
00-346357-00001	High Limit (550 Degree)	1
00-416535-00006	Heat Relay D-Model (120V)	1
00-416535-00007	Heat Relay D-Model (208/240V)	1
00-411496-000F1	Door Switch	1
00-421758-000G1	Transformer (120V/24V)	1
00-421758-000G2	Transformer (240V/24V)	1
00-411690-00001	1-Hour Timer (120V)	1
00-411690-00002	1-Hour Timer (240V)	1
00-411242-00001	Knob	1
00-411506-00003	Thermostat (KX)	1
00-353613-00002	Solid State Temperature Control D-Model	1
00-424846-00001	Watlow Computer Control C-Model	1
00-497585-00001	Strike Plate (New Style) (Mounted on "C" Channel)	1
00-423847-00001	Door Strike (Old Style) (Mounted on Doors)	1
00-497586-00001	Roller Latch (New Style) (Mounted on Doors)	1
00-347545-00001	Roller Ball Door Latch (Old Style) (Mounted to "C" Channel)	1
00-423014-000G1	Door Roller Kit (Old Style)	1
00-424194-00001	Ignitor/Sensor	1
00-340324-00008	ON/OFF Toggle Master Switch	1
00-357036-00001	Lamp Assy.	1
00-340324-00009	Toggle Switch	1

NOTES

NOTES

Free Manuals Download Website

<http://myh66.com>

<http://usermanuals.us>

<http://www.somanuals.com>

<http://www.4manuals.cc>

<http://www.manual-lib.com>

<http://www.404manual.com>

<http://www.luxmanual.com>

<http://aubethermostatmanual.com>

Golf course search by state

<http://golfingnear.com>

Email search by domain

<http://emailbydomain.com>

Auto manuals search

<http://auto.somanuals.com>

TV manuals search

<http://tv.somanuals.com>