



FULL FEATURED ELECTRIC CONVECTION OVEN, DEEP DEPTH

WOLF RANGE COMPANY



BASIC MODEL:

WKEDX1 Single section electric convection oven, extra deep cavity

KEY FEATURES:

- Stainless steel front, sides and top.
- Painted legs.
- Independently operated stainless steel doors with windows open a full 180°.
- 12.5 total KW.
- 1/2 H.P. two speed oven blower-motor.
- Moisture vent damper control.
- Side mounted solid state temperature control adjusts from 150° to 500°F.
- 60 minute timer with audible alarm.
- Oven cool switch for rapid cool down.
- Porcelain enamel on steel oven interior.
- Five nickel plated oven racks with eleven rack positions.
- One year limited parts and labor warranty.

OPTIONAL FEATURES:

- Stainless steel legs.
- Painted rear motor enclosure.
- Stainless steel rear motor enclosure.
- Five hour timer in place of 60 minute timer.
- Stainless steel open stand with storage rack.
- Casters.
- Flanged feet.
- 480V/60 Hz/1 or 3 phase.



DESCRIPTION:

Single section, deep depth electric convection oven, Wolf Model No. WKEDX1. Stainless steel front, sides, top and painted legs. Independently operated stainless steel doors with windows open a full 180°. Non-sag insulation applied to the top, rear, sides, bottom and doors. Porcelain enamel on steel oven interior measures 29" w x 26 1/8" d x 20" h. Two interior oven lights. Five nickel plated oven racks measure 28 1/4" x 24 1/2". Eleven position nickel plated rack guides with positive rack stops. Heated by electric solid sheath elements rated at 12 KW. Furnished with a two speed 1/2 H.P. oven blower-motor. Side mounted temperature control adjusts from 150° to 500°F. 60 minute timer with audible alarm. Oven cool switch for rapid cool down. 208 or 240 volt, 60 Hz, 1 or 3 phase.

Exterior dimensions: 40" w x 45 1/2" d x 56 3/4" h on 25 3/4" legs. Depth measurement includes door handles.

MODEL: WKEDX1 Electric Convection Oven

Approved by _____

Date: _____

UL and NSF listed. UL listed to Canadian safety standards.

SPECIFY VOLTAGE AND PHASE WHEN ORDERING.

WOLF RANGE COMPANY

Wolf Range Company, LLC
19600 S. Alameda St., Compton, CA 90221-6291
P.O. Box 7050, Compton, CA 90240-7050
(310) 637-3737 • FAX (310) 637-7931 • (800) 366-WOLF
Customer Service (888) 639-9653 • www.WOLFRANGE.com



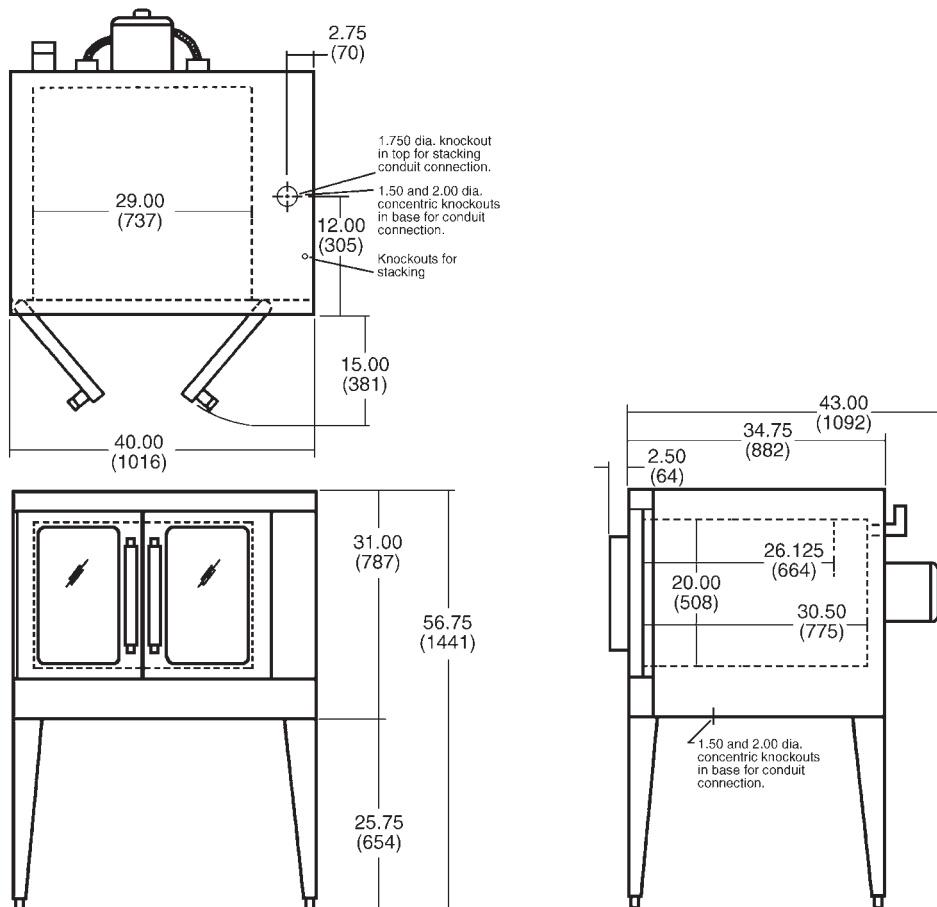
Model WKEDX1 Single Section Full Featured Electric Convection Oven, Deep Depth

ACCESSORIES:

- Extra oven rack(s).
- Stainless steel drip pan.

OPTIONAL VOLTAGES:

- 480 volt, 60 Hz, 3 phase.
- 220/380 volt, 50 Hz, 1 phase, 3 wire.
- 220/380 volt, 50 Hz, 3 phase, 4 wire.
- 240/415 volt, 50 Hz, 3 phase, 4 wire.



MODEL NO.	TOTAL CONN. KW	NOMINAL AMPS PER LINE WIRE													
		3 PHASE LOAD KW PER PHASE			3 PHASE									1 PHASE	
					208 VOLT			240 VOLT			480 VOLT				
		X-Y	Y-Z	X-Z	X	Y	Z	X	Y	Z	X	Y	Z	208V	240V
WKEDX1	12.5	4	4	4.5	35	33	35	33	29	33	14	15	15	60	52

NOTE: In line with its policy to continually improve its product, Wolf Range Company reserves the right to change materials and specifications without notice.
 This appliance is manufactured for commercial use only and is not intended for home use.

Free Manuals Download Website

<http://myh66.com>

<http://usermanuals.us>

<http://www.somanuals.com>

<http://www.4manuals.cc>

<http://www.manual-lib.com>

<http://www.404manual.com>

<http://www.luxmanual.com>

<http://aubethermostatmanual.com>

Golf course search by state

<http://golfingnear.com>

Email search by domain

<http://emailbydomain.com>

Auto manuals search

<http://auto.somanuals.com>

TV manuals search

<http://tv.somanuals.com>