



DOUBLE SECTION DELUXE FEATURED HALF-SIZE ELECTRIC CONVECTION OVEN



Model WKEHC2



Listed by Underwriters Laboratories, Inc.
Listed by the National Sanitation Foundation

Approved by _____

Date: _____

SPECIFY VOLTAGE AND PHASE WHEN ORDERING

BASIC MODEL:

WKEHC2 Double section half-size electric convection oven

KEY FEATURES:

- Stainless steel front, sides and top.
- Stainless steel doors with window (field reversible).
- 16 $\frac{3}{4}$ " adjustable stainless steel legs.
- 5.5 KW input per section, 11 KW total input.
- $\frac{1}{2}$ H.P. two speed fan motors.
- Electronic digital time and temperature controls.
- 'Roast and Hold' cycle.
- 'Gentle Bake' pulse-air cycle.
- Oven cool switch for rapid cool down.
- Porcelain enamel on steel oven interiors.
- Five nickel plated oven racks with nine rack positions per section.
- Rear body enclosure panel.
- Standard power supply 208V or 240V/60/1 or 3 phase.
- One year limited parts and labor warranty.

OPTIONAL FEATURES:

- 16 $\frac{3}{4}$ " adjustable stainless steel legs with casters.

DESCRIPTION:

Double section half-size electric convection oven, Wolf Model No. WKEHC2. Stainless steel front, sides and top. Field reversible stainless steel doors with window. 16 $\frac{5}{8}$ " adjustable stainless steel legs. Non-sag insulation applied to the top, rear, sides, bottom and door. Porcelain enamel on steel oven interiors measure 15 $\frac{1}{4}$ "w x 21"d x 20"h. Five nickel plated oven racks per section measure 14 $\frac{3}{8}$ " x 20 $\frac{7}{8}$ ". Nine position nickel plated rack guides with positive rack stops per section. 5.5 KW input per section, 11 KW total input. Two speed $\frac{1}{2}$ H.P. oven blower motors. Side mounted electronic controls with digital time and temperature read-out, 'Roast and Hold' cycle and 'Gentle Bake' pulse-air cycle. Oven cool switch for rapid cool down. Requires 208/240 volt, 60 Hz, 1 or 3 phase power supply. 5.5 KW draw per section, 11 KW total draw.

Exterior dimensions: 30"w x 27 $\frac{19}{32}$ "d x 68 $\frac{1}{8}$ "h on 16 $\frac{3}{4}$ " legs.

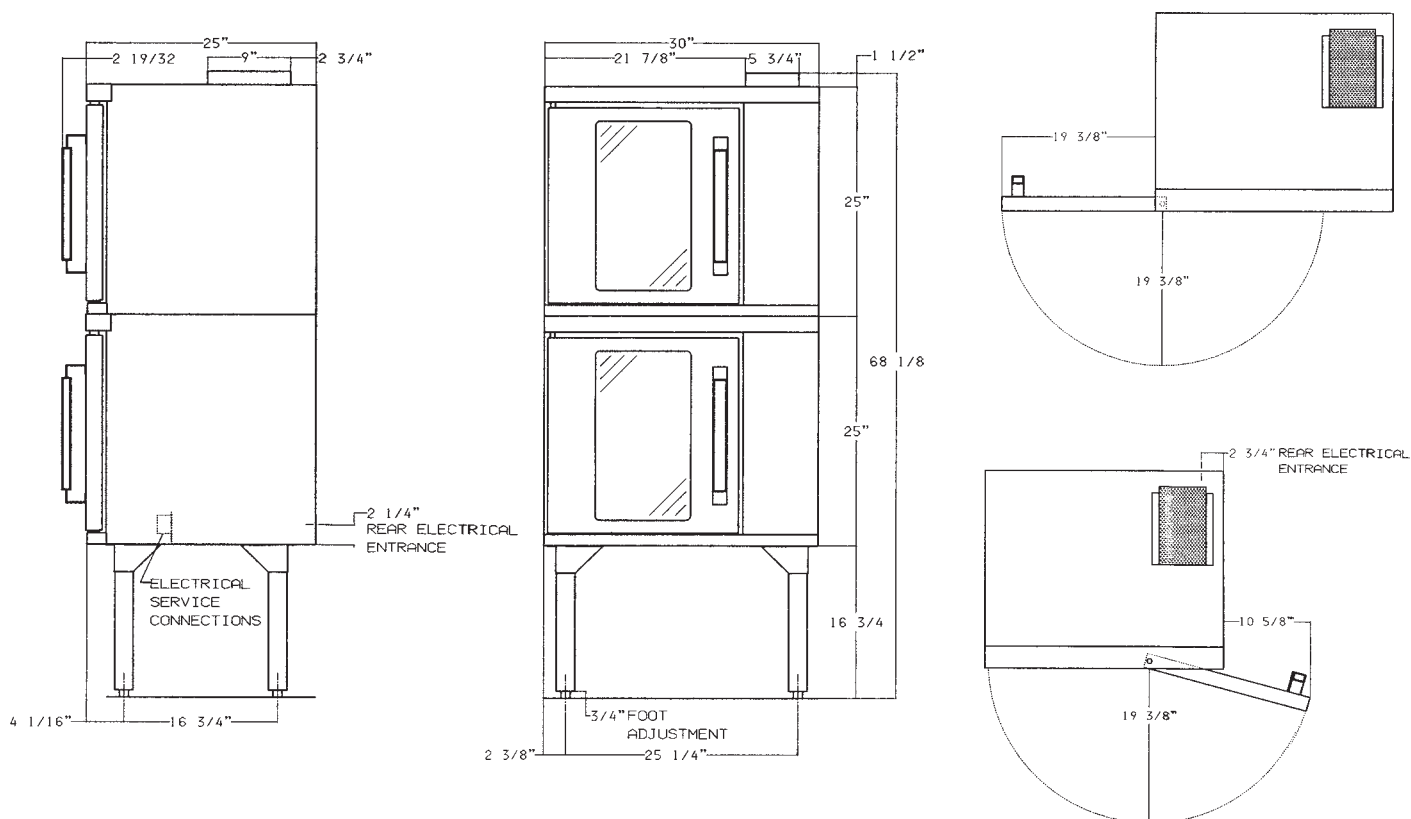
WOLF RANGE COMPANY

Wolf Range Company, LLC
19600 S. Alameda St., Compton, CA 90221-6291
P.O. Box 7050, Compton, CA 90240-7050
(310) 637-3737 • FAX (310) 637-7931 • (800) 366-WOLF
Customer Service (888) 639-9653 • www.WOLFRANGE.com



Model WKEHC2 Half-Size Double Section Deluxe Featured Electric Convection Oven

NOTE: This appliance may be installed with 1.0" clearance at the rear and 0" clearance on both sides adjacent to combustible construction.



DOUBLE OVEN	Width	Depth	Height	Approx. Shp. Wt.
WKEHC2	30"	27 ¹⁹ / ₃₂ "	68 ¹ / ₈ "	520 lbs.

ELECTRICAL DATA

MODEL	TOTAL KW	208, 240Volt - 3 PHASE LOADING KW PER PHASE			NOMINAL AMPS PER LINE WIRE							
					3 PHASE			1 PHASE				
		L1-L2	L2-L3	L1-L3	208V			240V		208V	240V	
WKEHC2	11.0	5.0	0	6.0	L1	L2	L3	L1	L2	L3	52	46

**NOTE: In line with its policy to continually improve its product, Wolf Range Company reserves the right to change materials and specifications without notice.
This appliance is manufactured for commercial use only and is not intended for home use.**

Free Manuals Download Website

<http://myh66.com>

<http://usermanuals.us>

<http://www.somanuals.com>

<http://www.4manuals.cc>

<http://www.manual-lib.com>

<http://www.404manual.com>

<http://www.luxmanual.com>

<http://aubethermostatmanual.com>

Golf course search by state

<http://golfingnear.com>

Email search by domain

<http://emailbydomain.com>

Auto manuals search

<http://auto.somanuals.com>

TV manuals search

<http://tv.somanuals.com>