



## 30" Sealed Burner Rangetop

The patented, dual-stacked sealed gas burners of our new sealed burner rangetop take control to a new level. Two levels, really. The upper-tier burner delivers maximum heat transfer at higher settings; the lower-tier continuous flame ably handles the subtleties of simmering and melting. Patented features ensure this rangetop stands out from the rest in performance and also beauty.



Model SRT304

### Features

- Natural or LP gas models
- Classic stainless steel exterior finish with island trim included
- Distinctive red control knobs—black knobs optional
- Platinum bezels surround all knobs—chrome or brass bezels optional
- Dual-stacked, sealed burners, all with simmer capabilities and automatic reignition at all settings
- Melt feature on 9,200 Btu/hr burner
- Porcelain-coated cast iron continuous top grates

### Surface Features

Model	SRT304
Surface Burners – 15,000 Btu/hr with 950 Btu/hr delivered at simmer	3
Surface Burner – 9,200 Btu/hr with 325 Btu/hr delivered at simmer	1

Model number is for natural gas sealed burner rangetop, add (-LP) to the model number for LP gas.

### Accessories

- Classic stainless steel risers in 5" and 10" heights, or 20" riser with shelf
- Black control knobs
- Chrome or brass bezels
- Porcelain-cast wok grate and single burner grate
- Porcelain-cast two-burner S-grate
- High altitude conversion kit

Accessories are available through your Wolf dealer. To obtain local dealer information, visit the Showroom Locator section of our website, [wolfappliance.com](http://wolfappliance.com).



This appliance is certified by Star-K to meet strict religious regulations in conjunction with specific instructions found on [www.star-k.org](http://www.star-k.org).

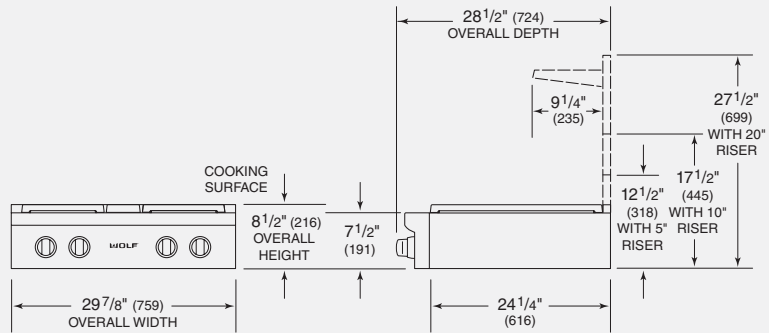


Dual-Stacked Sealed Burner



## 30" Sealed Burner Rangetop

### Overall Dimensions

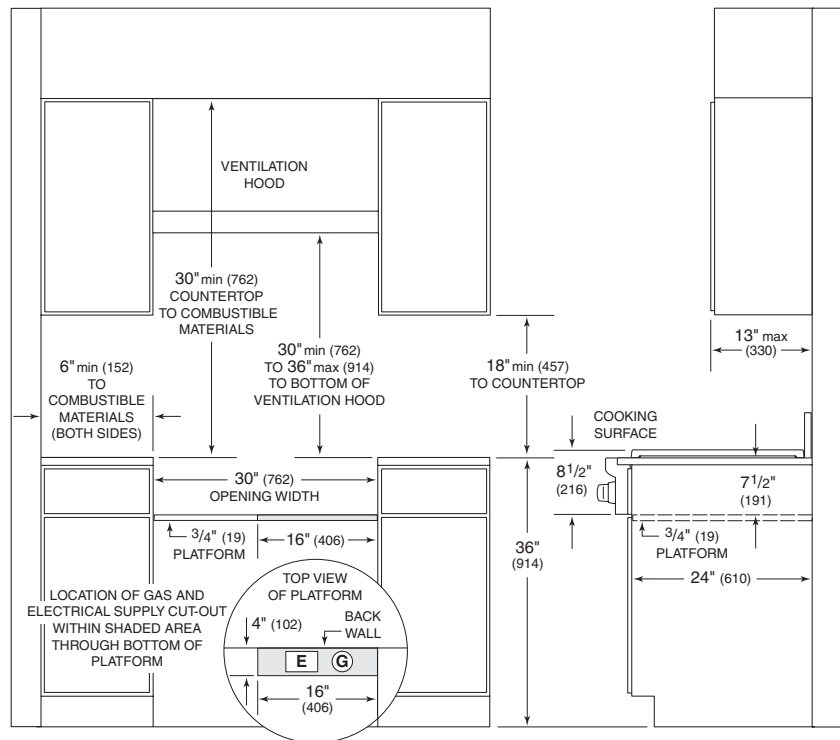


Unit dimensions may vary by  $\pm 1/8$ ".

### Specifications

Exterior Finish	Classic Stainless Steel
Overall Width	29 7/8"
Overall Height (to cooking surface)	8 1/2"
Overall Depth	28 1/2"
Opening Width	30"
Opening Height (to countertop)	7 1/2"
Opening Depth	24"
Electrical Requirements	110/120 V AC 50/60 Hz, 15 amp circuit
Power Cord	6' cord with grounded plug
Shipping Weight	160 lbs

### Installation Specifications



ISLAND INSTALLATIONS: 12" (305) MINIMUM CLEARANCE FROM BACK OF RANGETOP TO COMBUSTIBLE REAR WALL ABOVE COUNTERTOP-0" (0) TO NON-COMBUSTIBLE MATERIALS

### Installation Notes

- A Wolf Pro wall, chimney, island ventilation hood or hood liner is recommended.
- Natural gas and LP gas installations above 8,000' require the high altitude kit.

Dimensions in parentheses are in millimeters unless otherwise specified.

## Free Manuals Download Website

<http://myh66.com>

<http://usermanuals.us>

<http://www.somanuals.com>

<http://www.4manuals.cc>

<http://www.manual-lib.com>

<http://www.404manual.com>

<http://www.luxmanual.com>

<http://aubethermostatmanual.com>

Golf course search by state

<http://golfingnear.com>

Email search by domain

<http://emailbydomain.com>

Auto manuals search

<http://auto.somanuals.com>

TV manuals search

<http://tv.somanuals.com>