

INSTALLATION GUIDE

Gas Cooktops



Contents

Wolf Gas Cooktops	3
Safety Instructions	4
Gas Cooktop Specifications	5
Gas Cooktop Installation	9
Service Information	15

Features and specifications are subject to change at any time without notice. Visit wolfappliance.com/specs for the most up-to-date information.

IMPORTANT NOTE: Throughout this guide, dimensions in parentheses are millimeters unless otherwise specified.

Important Note

To ensure the safe and efficient use of Wolf equipment, please take note of the following types of highlighted information throughout this guide:

IMPORTANT NOTE highlights information that is especially important.

CAUTION signals a situation where minor injury or product damage may occur if instructions are not followed.

WARNING states a hazard that may cause serious injury or death if precautions are not followed.



Gas Cooktop Installation

IMPORTANT NOTE: This installation must be completed by a qualified installer, service agency or gas supplier.

Read this entire installation guide prior to installation and save for the local inspector's reference. The homeowner should keep this installation guide for future reference.

This appliance must be installed in accordance with National Electrical Codes, as well as all state, municipal and local codes. The correct voltage, frequency and amperage must be supplied to the appliance from a dedicated, grounded circuit which is protected by a properly sized circuit breaker or time delay fuse. The proper voltage, frequency, and amperage ratings are listed on the product rating plate.

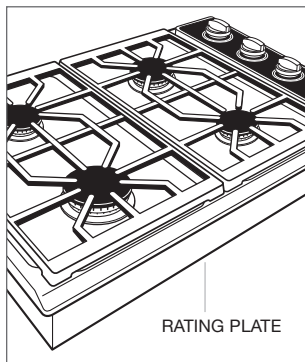
Wolf gas cooktops are manufactured for use with natural gas or LP gas. Check the product rating plate for the type of gas for your specific model.

Record the model and serial numbers before installing the gas cooktop. Both numbers are listed on the product rating plate, located on the underside of the cooktop. Refer to the illustration below.

Wolf Gas Cooktop

Model Number

Serial Number



Location of rating plate.

IMPORTANT INSTRUCTIONS

⚠ WARNING

If the information in this guide is not followed exactly, a fire or explosion may result, causing property damage, personal injury or death.

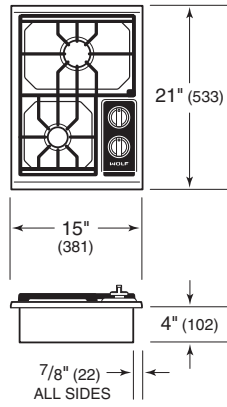
- Installation and service must be performed by a qualified installer, service agency or the gas supplier.
- Warranty service must be performed by a Wolf authorized service center.
- Do not store or use gasoline or other flammable vapors and liquids in the vicinity of this or any other appliance.
- A ventilation hood is recommended (but not required) for use with the Wolf gas cooktop.
- In Massachusetts: Installations and repairs must be performed by a qualified or licensed contractor, plumber or gasfitter qualified or licensed by the state, province, or region where this appliance is being installed. Only use gas shut-off valves approved for use within the state, province, or region where this appliance is being installed. A flexible gas connector, when used, must not exceed 3' (.9 m).

WHAT TO DO IF YOU SMELL GAS:

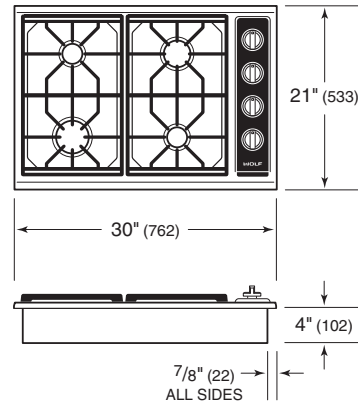
- Do not try to light any appliance.
- Do not touch any electrical switch.
- Do not use any phone in your building.
- Immediately call your gas supplier from a neighbor's phone. Follow the gas supplier's instructions.
- If you cannot reach your gas supplier, call the fire department.

Gas Cooktop Dimensions

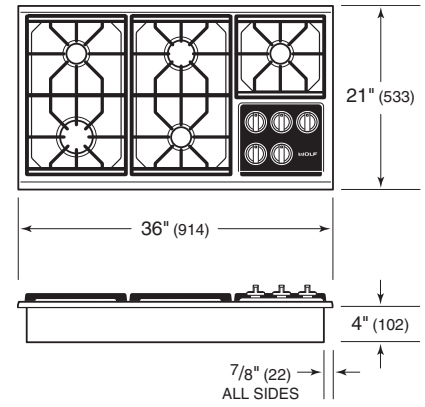
15" (381) COOKTOP



30" (762) COOKTOP

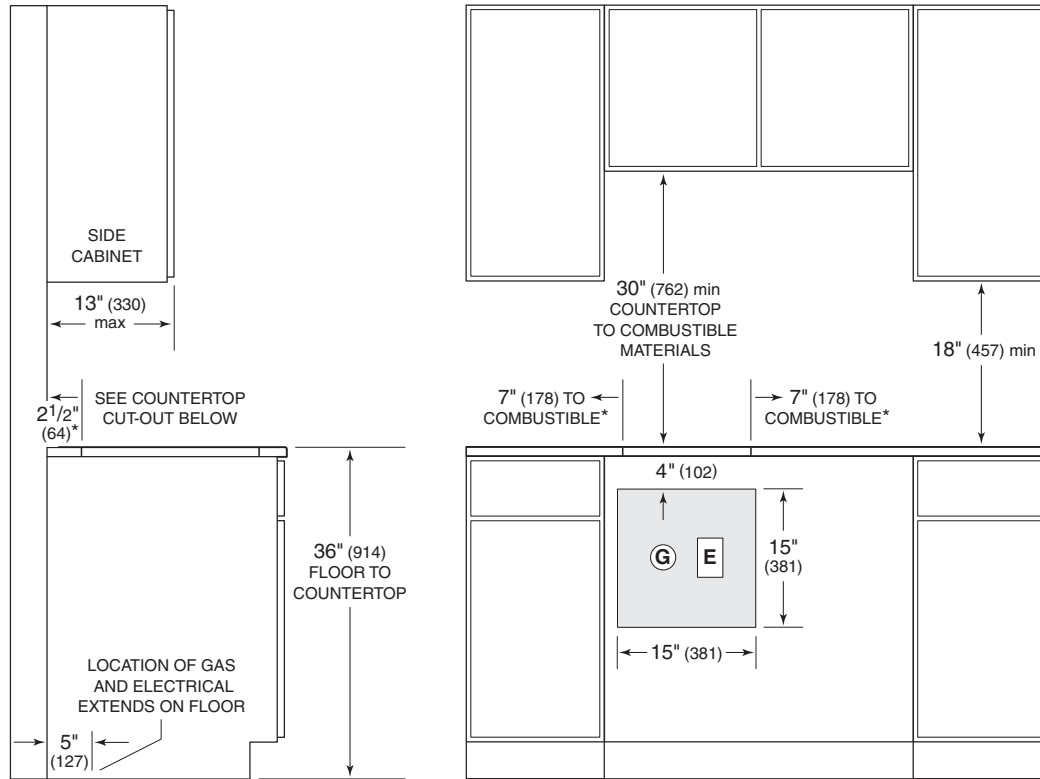


36" (914) COOKTOP



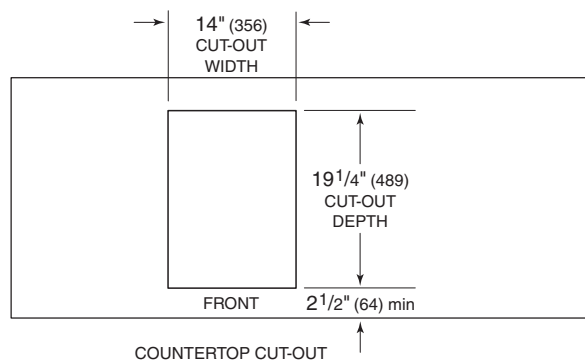
15" (381) Gas Cooktop

INSTALLATION



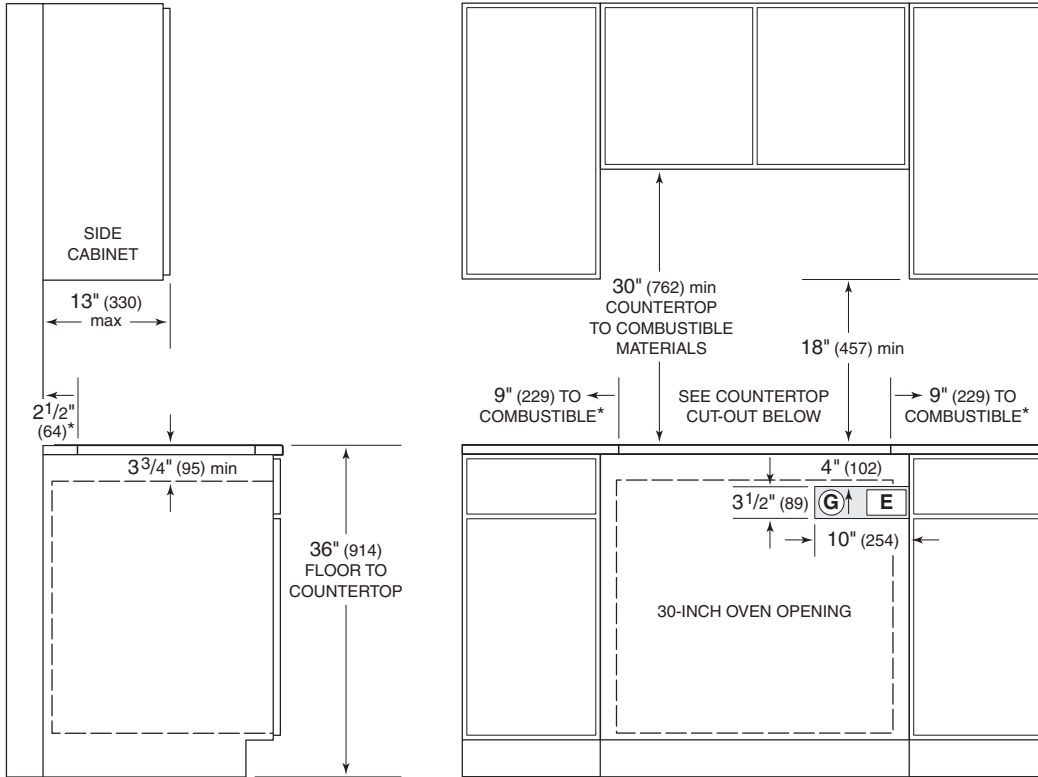
*Minimum clearance from cooktop cut-out to combustible materials up to 18" (457) above countertop.

NOTE: Application shown allows for installation of two 15" (381) modules side by side.



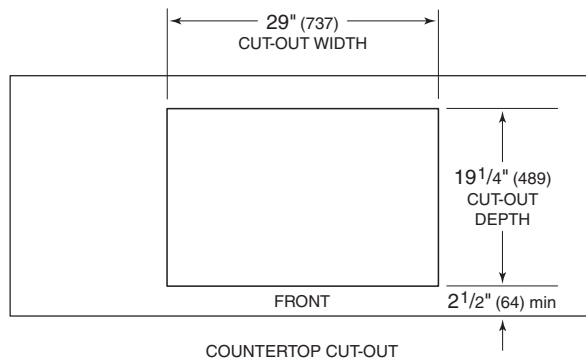
30" (762) Gas Cooktop

INSTALLATION



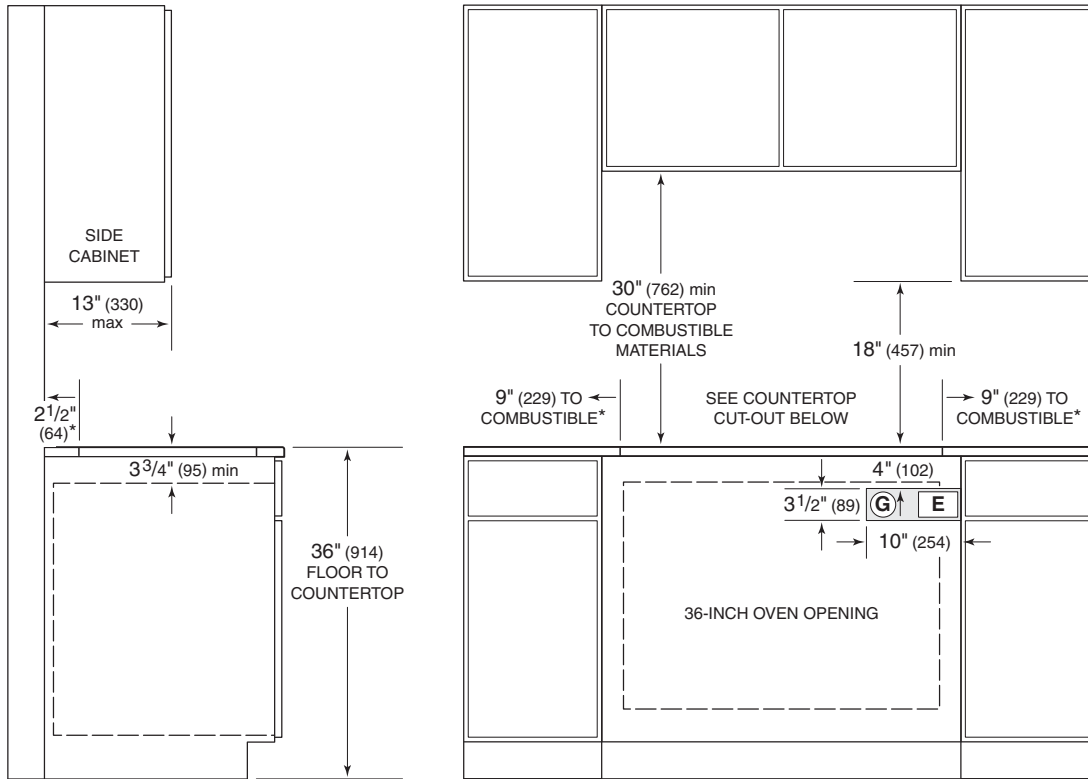
*Minimum clearance from cooktop cut-out to combustible materials up to 18" (457) above countertop.

NOTE: Gas and electrical location applies only to installation with built-in oven.



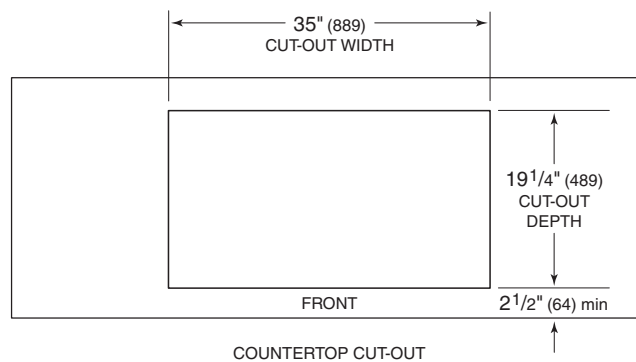
36" (914) Gas Cooktop

INSTALLATION



*Minimum clearance from cooktop cut-out to combustible materials up to 18" (457) above countertop.

NOTE: Gas and electrical location applies only to installation with built-in oven.



Installation Requirements

⚠ WARNING

Failure to locate the cooktop without the proper clearances will result in a fire hazard.

IMPORTANT NOTE: Caution must be used in planning the proper installation of the Wolf gas cooktop to avoid fires or damage to adjacent cabinetry or kitchen equipment. Follow all minimum clearances to combustible surfaces shown in the installation illustration for your specific model.

There should be at least 5¹/₂" (140) clearance between the countertop and any combustible surface directly below the gas cooktop.

Wolf gas cooktops are intended for indoor use. An adequate supply of fresh air is required to assure proper combustion and ventilation. The location of the cooktop should be away from strong draft areas, such as windows, doors and strong heating vents or fans. Do not obstruct the flow of air.

It is recommended that you use a Wolf cooktop ventilation hood, pro hood or hood liner with the Wolf gas cooktop. Refer to the Wolf ventilation guide.

MULTIPLE COOKTOP INSTALLATION

If the gas cooktop is to be used with any combination of additional cooktops or modules with a filler strip, the dimensions provided in the chart are derived by adding 1¹/₄" (32) additional space for each additional unit, to give you the total countertop cut-out width. Dimensions include the filler strip available through your authorized Wolf dealer. For local dealer information, visit the find a showroom section of our website, wolfappliance.com.

IMPORTANT NOTE: When multiple cooktops are installed side by side, each unit must have its own separate recommended electrical circuit. When multiple gas cooktops are installed next to one another, they can receive their gas supply from a common line. However, each unit must have its own gas pressure regulator.

Multiple Cooktops

COUNTERTOP CUT-OUT	WIDTH
2 Modules	29 ¹ / ₄ " (743)
3 Modules	44 ¹ / ₂ " (1130)
4 Modules	59 ³ / ₄ " (1518)
30" (762) Cooktop / Module	44 ¹ / ₄ " (1124)
30" (762) Cooktop / 2 Modules	59 ¹ / ₂ " (1511)
36" (914) Cooktop / Module	50 ¹ / ₄ " (1276)

Gas Supply Requirements

⚠ WARNING

EXPLOSION HAZARD: Use a certified gas supply line and install a gas shut-off valve. Securely tighten all gas connections. Failure to follow these instructions can result in explosion, fire or death.

IMPORTANT NOTE: This installation must conform with local codes and ordinances. In the absence of local codes, installations must conform with the American National Standard, National Fuel Gas Code.

TYPES OF GAS

There are two types of gas, natural and liquid propane (LP). Conversions are required in order for appliances designed for one gas to be operated with the other gas. Such conversions must be performed by a Wolf authorized service center. Make sure your gas cooktop is correctly adjusted for the type of gas being used.

The product rating plate has information on the type of gas that should be used. If this information does not agree with the type of gas available, check with the local gas supplier. The rating plate is located on the underside of the cooktop. Refer to the illustration on page 3.

GAS SUPPLY LINE

IMPORTANT NOTE: The gas cooktop must be connected to a regulated gas supply.

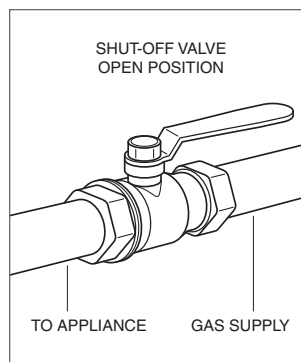
A gas supply line of $\frac{3}{4}$ " rigid pipe must be provided to the cooktop. For LP gas, piping or tubing size can be $\frac{1}{2}$ " minimum. LP gas suppliers usually determine the size and materials used on the system. If local codes permit, a certified, $\frac{1}{2}$ " or $\frac{3}{4}$ " ID flexible metal appliance connector is recommended to connect the cooktop to the gas supply line. The gas pressure regulator on the cooktop has $\frac{1}{2}$ " female threads.

IMPORTANT NOTE: The supply line must be equipped with an approved external gas shut-off valve located near the cooktop in an accessible location. Do not block access to the shut-off valve. Refer to the illustration below.

Wolf natural gas cooktops will function up to an altitude of 10,250' (3124 m) without any adjustment. LP gas cooktops will function up to 8,600' (2621 m) without adjustment. If the installation exceeds these elevations, contact your authorized Wolf dealer for a high altitude conversion kit.

⚠ CAUTION

Before connecting the gas supply, make sure all valves are in a closed position. Do not connect the gas supply to an appliance that shows any sign of damage.



Shut-off valve.

Gas Supply Requirements

GAS MANIFOLD PRESSURE

- **Natural Gas:** Standard orifices are set for 5" (12.5 mb) WC. A natural gas pressure regulator is installed.
- **LP Gas:** Standard orifices are set for 10" (25 mb) WC. An LP gas pressure regulator is installed.
- **Gas Supply Pressure:** The maximum gas supply pressure to the regulator should never exceed 14" (34.9 mb) WC; .5 psi (3.5 kPa) for natural and LP gas. The minimum line pressure is 7" (17.5 mb) WC for natural gas and 11" (27.4 mb) WC for LP gas.
- **Gas Pressure Regulator:** To control and maintain a uniform gas pressure in the gas manifold, the unit must be used with a gas pressure regulator. The burner orifices, etc. are sized for the gas pressure delivered by the supplied regulator. Do not remove the regulator.

⚠ CAUTION

The maximum gas supply pressure to the regulator should never exceed 14" (34.9 mb) WC; .5 psi (3.5 kPa).

Electrical Requirements

⚠ WARNING

ELECTRICAL SHOCK HAZARD: Plug into a grounded 3-prong outlet. Do not remove ground prong. Do not use an adapter. Failure to follow these instructions can result in electric shock, fire or death.

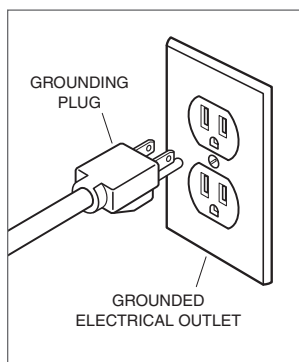
The Wolf gas cooktop requires a 120 V AC, 60 Hz electrical supply to operate the electronic ignition system. The service should have its own 15 amp circuit breaker. A ground fault circuit interrupter (GFCI) is not recommended and may cause interruption of operation.

The cooktop is equipped with a power cord with a 3-prong grounding plug. To minimize shock hazard, the power cord must be plugged into a mating 3-prong grounded outlet, grounded to conform with the National Electrical Code, ANSI/NFPA 70 latest edition, or Canadian Electrical Code (CSA) and all local codes and ordinances. Refer to the illustration below.

IMPORTANT NOTE: Do not ground to a gas pipe.

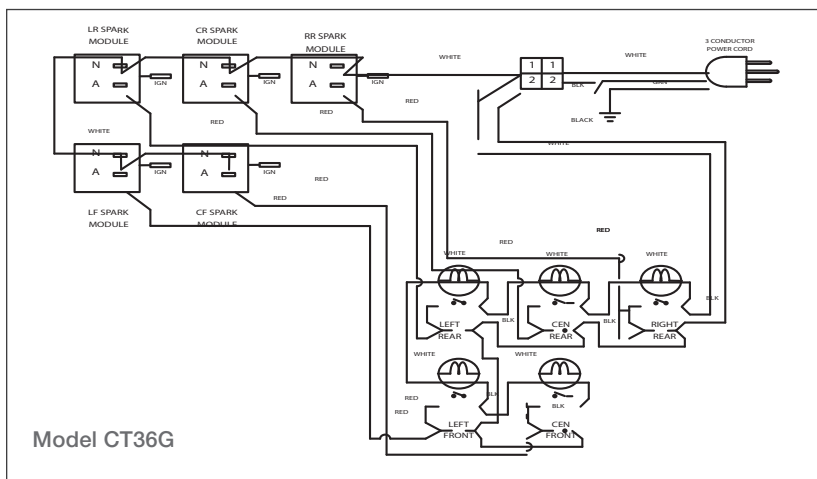
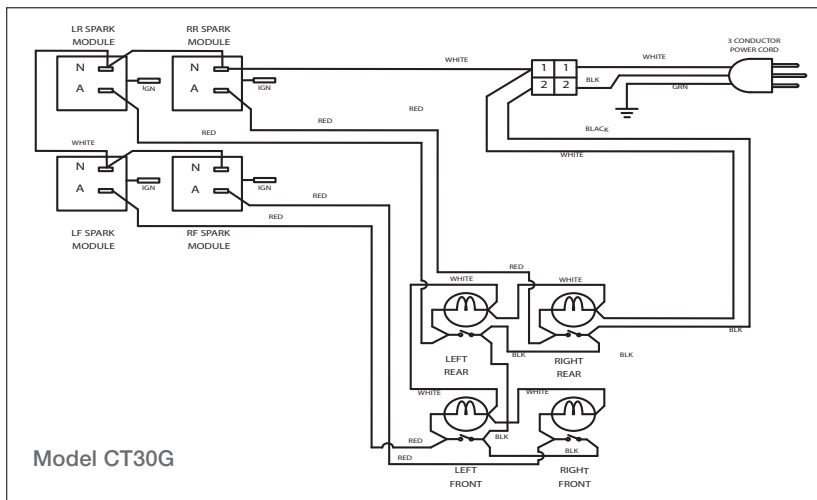
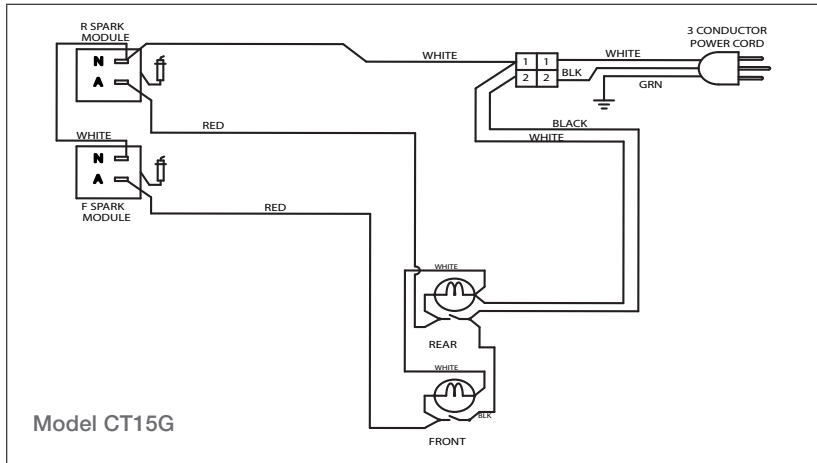
WIRING DIAGRAM

A wiring diagram covering the control circuit for each gas cooktop model can be found on the following page.



Electrical ground.

Wiring Diagram



Install the Cooktop

Remove the cooktop, gas pressure regulator, burner grates and burner caps from the shipping package.

Lower the cooktop into the countertop cut-out opening. Center the cooktop in the opening and check that the front edge of cooktop is parallel to the front edge of the countertop. Check that all required clearances are met. Using a pencil, outline the rear edge of the cooktop frame on the countertop. Remove the cooktop from the countertop opening.

IMPORTANT NOTE: When repositioning the cooktop in the countertop opening, lift the entire cooktop up from the opening to prevent scratching the countertop.

Apply the foam strip, included in the hardware package, to the underside of the cooktop frame. Refer to the illustration below.

Reinsert the cooktop into the countertop opening. Align the rear edge of the cooktop frame with the pencil line and check that it is parallel to the front edge of the countertop. Lift the entire cooktop to make adjustments.

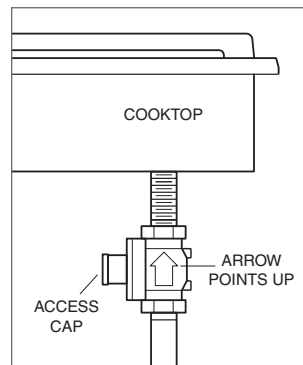
Attach the brackets to the bottom of the unit. Insert the 3¹/₂" (89) clamping screws into the brackets. Use a screwdriver to tighten the clamping screws against the underside of the countertop. Refer to the illustration below. Do not overtighten screws.

IMPORTANT NOTE: Do not seal the cooktop to the countertop. It must be removed if service is necessary.

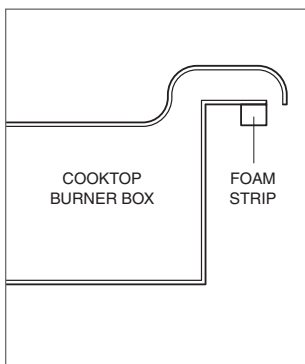
GAS PRESSURE REGULATOR

Install the gas pressure regulator with the arrow on the regulator pointing up toward the unit and in a position where you can reach the access cap. Refer to the illustration below.

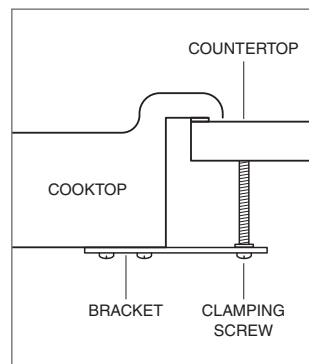
IMPORTANT NOTE: All connections must be wrench-tightened. Do not make connections to the regulator too tight, as this may crack the regulator and cause a gas leak. Do not allow the regulator to turn on the pipe when tightening fittings.



Gas pressure regulator.



Foam strip.



Bracket.

Install the Cooktop

GAS SUPPLY CONNECTION

Assemble the flexible metal connector from the gas supply pipe to the gas pressure regulator. You will need to determine the fittings required, depending on the size of your gas supply line, flexible metal connector and shut-off valve. Refer to the illustration below.

Use a pipe joint compound made for use with natural and LP gas. If a flexible metal connector is used, be sure the tubing is not kinked.

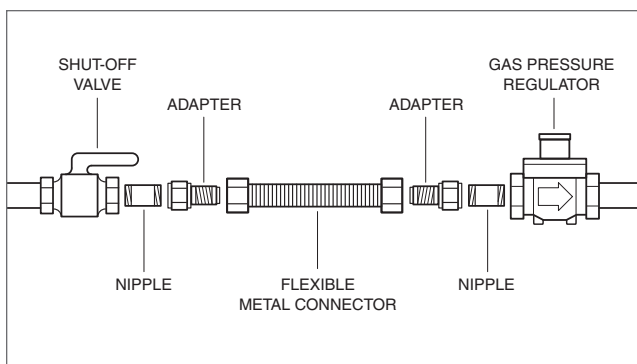
Open the shut-off valve in the gas supply line. Wait a few minutes for the gas to move through the line. Refer to the illustration on page 10.

GAS LEAK TESTING

Use a brush and liquid detergent to test all gas connections for leaks. Bubbles around connections will indicate a leak. If a leak appears, shut off the gas supply and adjust connections. Then check connections again. Clean the detergent solution from the cooktop.

⚠ WARNING

Never test for a gas leak with a match or other flame.



Gas supply connection.

Verify Cooktop Operation

SURFACE BURNERS

The surface burners use electronic igniters in place of standing pilots. When the cooktop control knob is pushed in and turned to the HIGH position, the system creates a spark to light the burner. This sparking continues until the electronic ignition senses a flame.

Before lighting, place the burner head and cap on each burner base and position the burner grates.

To check operation of the surface burners, push in and turn each control knob to the HIGH position. The flame should light within four seconds.

If the burners do not light properly, turn each control knob to the OFF position. Check that burner heads and caps are in the proper position. Check that the power cord is plugged in and that the circuit breaker or house fuse has not blown. Check that the gas shut-off valve is in the open position. Check operation again, waiting at least five minutes; if the burners do not light properly, contact a Wolf authorized service center.

IMPORTANT NOTE: Initial lighting of the surface burners may take slightly longer, as air in the system must be purged before gas can be supplied to the burner.

Troubleshooting

IMPORTANT NOTE: If the gas cooktop does not operate properly, follow these troubleshooting steps:

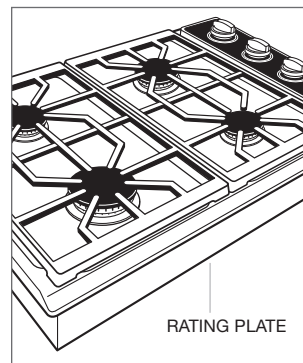
- Verify that power is being supplied to the cooktop.
- Check the gas supply and electrical connections to ensure that the installation has been completed correctly.
- Check that the gas supply shut-off valve is in the open position.
- Check polarity of the electrical outlet if excessive igniter clicking occurs immediately after installation.
- Follow troubleshooting procedures outlined in the Wolf gas cooktops use & care guide.
- If the cooktop still does not operate properly, contact a Wolf authorized service center. Do not attempt to repair the cooktop yourself. Wolf is not responsible for service required to correct a faulty installation.

Service Information

If service is necessary, maintain the quality built into your gas cooktop by calling a Wolf authorized service center.

To obtain the name and number of a Wolf authorized service center, check the contact & support section of our website, wolfappliance.com or call Wolf customer service at 800-332-9513.

When calling for service, you will need the model and serial numbers of the gas cooktop. Both numbers are listed on the product rating plate, located on the underside of the cooktop. Refer to the illustration below.



Location of rating plate.



The information and images in this guide are the copyright property of Wolf Appliance, Inc. Neither this guide nor any information or images contained herein may be copied or used in whole or in part without the express written permission of Wolf Appliance, Inc. ©Wolf Appliance, Inc. all rights reserved.

Wolf, Wolf & Design, Wolf Gourmet, W & Design and the color red as applied to knobs are registered trademarks and service marks of Wolf Appliance, Inc. Sub-Zero, Sub-Zero & Design, Dual Refrigeration, Constant Care and The Living Kitchen are registered trademarks and service marks of Sub-Zero, Inc. (collectively, the "Company Marks.") All other trademarks or registered trademarks are property of their respective owners in the United States and other countries.



WOLF APPLIANCE, INC. P. O. BOX 44848 MADISON, WI 53744 WOLFAPPLIANCE.COM 800.332.9513

814990 REV-A

5/2010



Free Manuals Download Website

<http://myh66.com>

<http://usermanuals.us>

<http://www.somanuals.com>

<http://www.4manuals.cc>

<http://www.manual-lib.com>

<http://www.404manual.com>

<http://www.luxmanual.com>

<http://aubethermostatmanual.com>

Golf course search by state

<http://golfingnear.com>

Email search by domain

<http://emailbydomain.com>

Auto manuals search

<http://auto.somanuals.com>

TV manuals search

<http://tv.somanuals.com>