



COMMANDER SERIES MOBILE FRYER FILTER SYSTEM



Model WF50



Design Certified by the American Gas Association
Listed by the National Sanitation Foundation

Approved by _____

Date: _____

BASIC MODELS:

WF50 Mobile filter system, maximum capacity 50 lbs.

KEY FEATURES:

- 16 gauge #304 series stainless steel filter vessel.
- Removable stainless steel vat cover.
- Fold down stainless steel handle and casters for ease of mobility.
- 1/3 H.P. motor and pump circulates hot oil at the rate of 5.6 gallons per minute.
- 75 watt heater on intake line.
- Disposable paper filtration process, 100 sheets of filter paper.
- 115 volt, 1 phase.
- One year limited parts and labor warranty.

OPTIONAL FEATURES:

- Filter paper, 100 sheets per box.
- Diatomaceous earth filter aid powder.
- Paperless stainless steel mesh filtration process.
- Paperless stainless steel mesh with carbon filtration process.
- Extra carbon inserts for paperless filtration process with carbon.
- Oil discard hose.
- 208 volt 50/60 Hz 1 phase.
- 220 - 240 volt 50/60 Hz 1 phase.

DESCRIPTION:

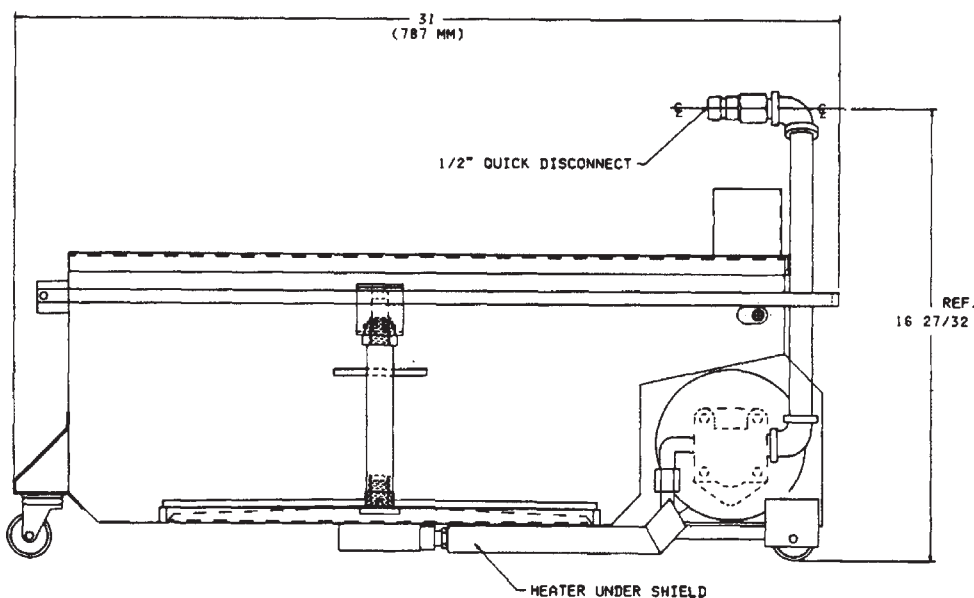
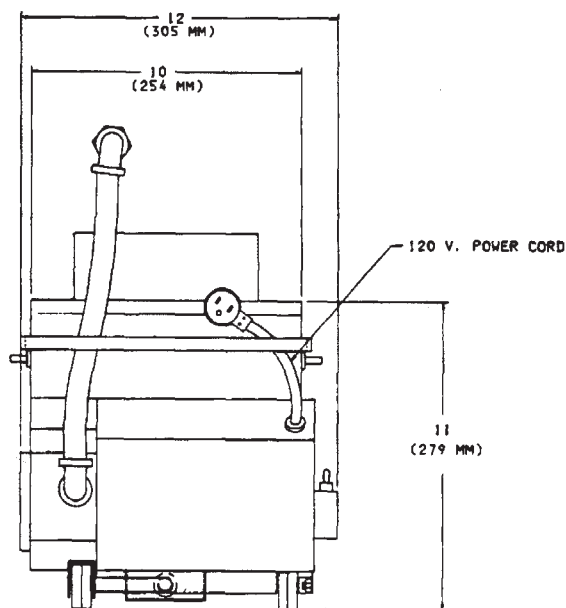
Mobile fryer filter system, Wolf Model No. (WF50). Filter vessel constructed of 16 gauge #304 series stainless steel with glass beaded finish. Removable stainless steel vat cover. Stainless steel fold down handle and casters provide mobility. 1/3 H.P. motor and pump circulates hot frying oil at the rate of 5.6 gallons per minute. 75 watt heater on intake line. System provided with (disposable paper filtration process and 100 sheets of filter paper) (paperless stainless steel mesh filtration process) (paperless stainless steel mesh with carbon filtration process). Provides hands-off oil filtration when used with a Wolf filter ready fryer. Requires 115 volt, 1 phase power source.

WOLF RANGE COMPANY

Wolf Range Company, LLC
19600 S. Alameda St., Compton, CA 90221-6291
P.O. Box 7050, Compton, CA 90240-7050
(310) 637-3737 • FAX (310) 637-7931 • (800) 366-WOLF
Customer Service (888) 639-9653 • www.WOLFRANGE.com



Commander Series Model WF50, WF85 Mobile Fryer Filter System



Model No.	Motor	Elec./Amps	Pump Capacity	Filter Area	Filter Paper Size	Approx. Ship. Wt.
WF50	1/8 HP/1750 RPM	115V / 5.0	5.6 gal./min.	258 sq. in.	21 1/2" x 12"	65 lbs.

NOTE: The use of diatomaceous filtering compound is recommended for thorough cleansing of the shortening. However, it is not required for filtration with this unit.

NOTE: In line with its policy to continually improve its product, Wolf Range Company reserves the right to change materials and specifications without notice.
This appliance is manufactured for commercial use only and is not intended for home use.

Free Manuals Download Website

<http://myh66.com>

<http://usermanuals.us>

<http://www.somanuals.com>

<http://www.4manuals.cc>

<http://www.manual-lib.com>

<http://www.404manual.com>

<http://www.luxmanual.com>

<http://aubethermostatmanual.com>

Golf course search by state

<http://golfingnear.com>

Email search by domain

<http://emailbydomain.com>

Auto manuals search

<http://auto.somanuals.com>

TV manuals search

<http://tv.somanuals.com>