



## E Series Built-In Single Ovens

Wolf E series built-in ovens are offered in two different finishes—stainless steel and new black glass. The E series built-in design allows the front of the oven to be installed flush with surrounding cabinetry for a more integrated look or used in the standard application, where the oven trim will overlap the cabinet face. With the dual convection fans, E series ovens offer ten different cooking modes.



Model SO30-2U/S-TH shown with model WWD30 warming drawer.

### FEATURES

- Stainless steel models available with framed and unframed door styles. Black glass model available with unframed door style only.
- Dual convection logic control system.
- Ten cooking modes—bake, roast, broil, convection bake, convection roast, convection broil, convection, bake stone (accessory required), dehydrate (accessory required) and proof.
- Touch control panel with LCD display.
- Cobalt blue porcelain oven interior.
- Six-level rack guides with three adjustable oven racks; one full-extension easy glide, one full-extension door glide and one standard.
- Large viewing double-pane window.
- Dual interior halogen lighting.
- Hidden bake element and recessed broil.
- Temperature probe and receptacle.
- Self-clean, delayed start, timed cook and Sabbath features.
- Balanced door hinges assure smooth opening and closing of the door.

MODEL OPTIONS	SO30-2F/S-PH	SO30-2F/S-TH	SO30-2U/S-TH	SO30-2G/B
Door Style	Framed	Framed	Unframed	Unframed
Finish	Stainless	Stainless	Stainless	Black Glass
Handle	Pro	Tubular	Tubular	Tubular

### ACCESSORIES

- Bake stone accessory, includes stone, rack and peel.
- Two-piece broiler pan and temperature probe.
- Set of three standard oven racks.
- One full-extension easy glide rack.
- Dehydration racks with door stop.
- 30" premiere baking pan.

Accessories are available through your authorized Wolf dealer. For local dealer information, visit the find a showroom section of our website, [wolfappliance.com](http://wolfappliance.com).



Model SO30-2F/S-PH Framed Door Style



Model SO30-2F/S-TH Framed Door Style



Model SO30-2U/S-TH Unframed Door Style



Model SO30-2G/B Unframed Door Style



This appliance is certified by Star-K to meet strict religious regulations in conjunction with specific instructions found on [www.star-k.org](http://www.star-k.org).

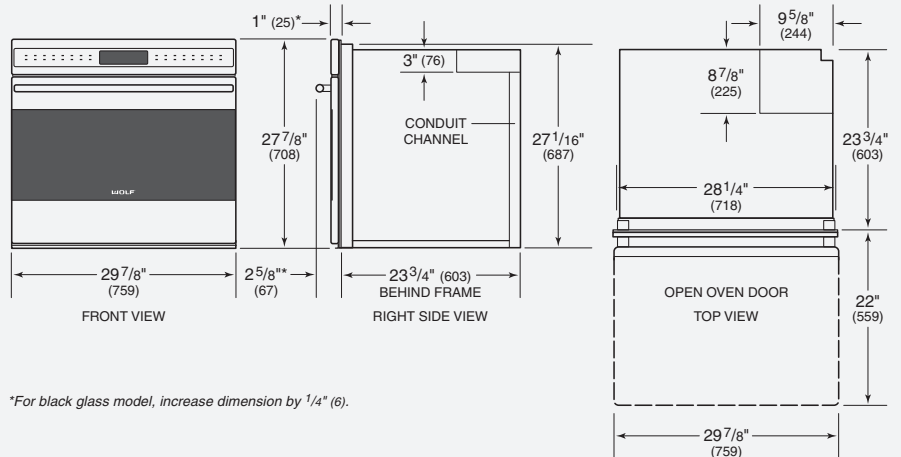


Touch control panel.



## E Series Built-In Single Ovens

### OVERALL DIMENSIONS



\*For black glass model, increase dimension by 1/4" (6).

Unit dimensions may vary by ± 1/8".

### SPECIFICATIONS

Overall Width	29 7/8"
Overall Height	27 7/8"
Overall Depth	23 3/4"*
Oven Door Clearance	22"
Oven Interior Capacity	4.5 cu ft
Oven Interior Dimensions	25" W x 16 1/2" H x 19" D
Minimum Cabinet Depth	Standard 24" Flush Inset 25"*
Minimum Base Support	250 lbs
Opening Width	28 1/2"
Min Inset Width	30 3/8"
Opening Height	27 3/16"
Min Inset Height	28 1/2"
Electrical Requirements	240/208 V AC 60 Hz, 30 amp circuit
Electrical Rating	5.1 kW at 240 V 3.8 kW at 208 V
Shipping Weight	273 lbs

\*For black glass model, increase dimension by 1/4".

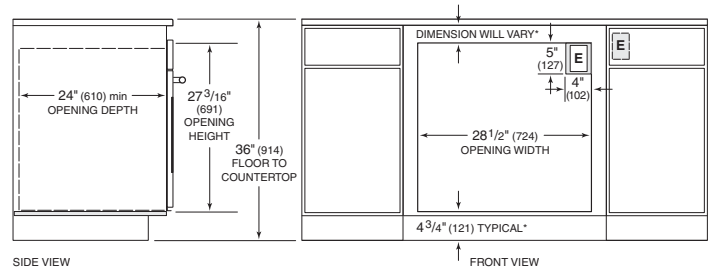
### INSTALLATION NOTES

Wolf E series built-in ovens may be used in a standard installation, where the face trim overlaps stiles and rails, or in a flush inset installation with the front of the oven flush with surrounding cabinetry.

Complete installation specifications can be found on our website, [wolfappliance.com](http://wolfappliance.com).

### INSTALLATION SPECIFICATIONS

#### Standard Installation

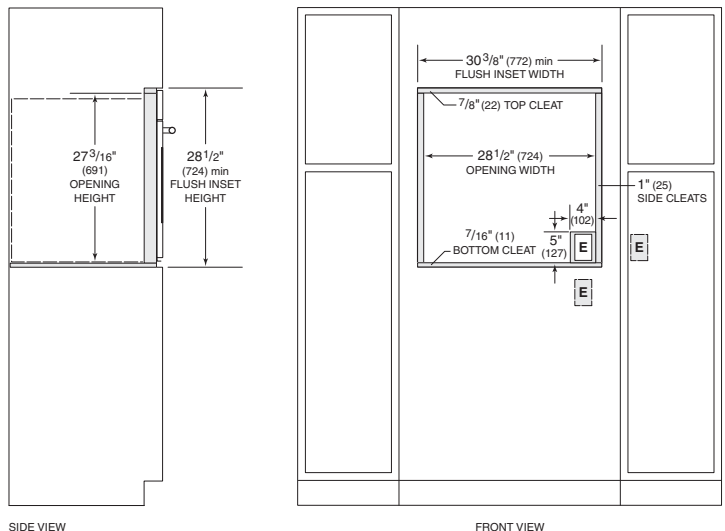


\*Dimension must accommodate height of oven trim.

NOTES: Location of electrical supply within opening may require additional cabinet depth. Dashed line represents profile of unit.

**IMPORTANT NOTE:** Unless you are using cabinets deeper than 24" (610) for a standard installation or 25" (635) for a flush inset installation, it is recommended that the electrical supply be placed in an adjacent cabinet within reach of the conduit. Choose the location shown in the illustrations that best suits your installation.

#### Flush Inset Installation



\*For black glass model, increase dimension by 1/4" (6).

NOTES: Minimum base support 250 lbs (113 kg). Location of electrical supply within opening may require additional cabinet depth. Cleats may be visible and should be finished to match cabinetry. Dashed line represents profile of unit.

Dimensions in parentheses are in millimeters unless otherwise specified.

## Free Manuals Download Website

<http://myh66.com>

<http://usermanuals.us>

<http://www.somanuals.com>

<http://www.4manuals.cc>

<http://www.manual-lib.com>

<http://www.404manual.com>

<http://www.luxmanual.com>

<http://aubethermostatmanual.com>

Golf course search by state

<http://golfingnear.com>

Email search by domain

<http://emailbydomain.com>

Auto manuals search

<http://auto.somanuals.com>

TV manuals search

<http://tv.somanuals.com>