



60" Gas Ranges

Wolf has perfected the form, function and sheer durability of our gas ranges. Wolf gas ranges offer standard features such as an infrared oven broiler, convection baking, dual-stacked sealed surface burners and our signature large red control knobs. Optional infrared charbroiler, infrared griddle and French top give you the freedom to customize your gas range. Wolf gas ranges are available in natural or LP gas.



Model GR606F shown.
Also shown is model WWD30 warming drawer.



Model GR606DG



Model GR606F



Model GR606CG

FEATURES

- Heavy-duty stainless steel exterior with island trim.
- Dual-stacked, sealed burners for precise control and easy cleanup.
- Flame recognition and automatic reignition for safety and ease of use.
- Signature red control knobs with infinite control.
- Stainless steel bezels surround control knobs.
- Porcelain-coated, cast iron continuous burner grates.
- Top configurations including infrared charbroiler, infrared griddle and French top with stainless steel covers.
- Large-capacity gas convection ovens with three adjustable oven racks.
- Infrared broiler with ultrafast pre-heating.
- Halogen lit, porcelain oven interiors with window in doors.
- Adjustable stainless steel legs in front and rear casters.
- Wolf exclusive spring and damper door hinge system.

SURFACE FEATURES

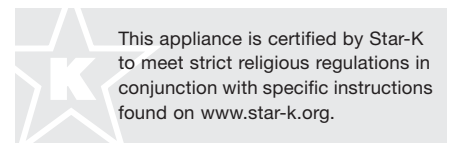
Model	GR606DG	GR606F	GR606CG
Surface Burners 15,000 Btu high / 950 Btu simmer	5	5	5
Surface Burner 9,200 Btu high / 325 Btu simmer	1	1	1
Infrared Charbroiler – 16,000 Btu			•
Infrared Griddle – 15,000 Btu			•
Double Griddle – 15,000 Btu (2)	•		
French Top – 15,000 Btu		•	

Model numbers are for natural gas ranges, add (-LP) to the model number for LP gas.

ACCESSORIES

- 5" and 10" stainless steel risers—20" riser with shelf.
- Red, black or stainless steel control knobs.
- Brass and chrome bezels.
- Cast iron S-grates and wok grate.
- Hardwood cutting board (griddle models only).
- Additional oven racks.
- Full-extension easy glide rack.
- Bake stone kit.
- Griddle cleaning kit.
- Front leg covers.
- High altitude conversion kit.

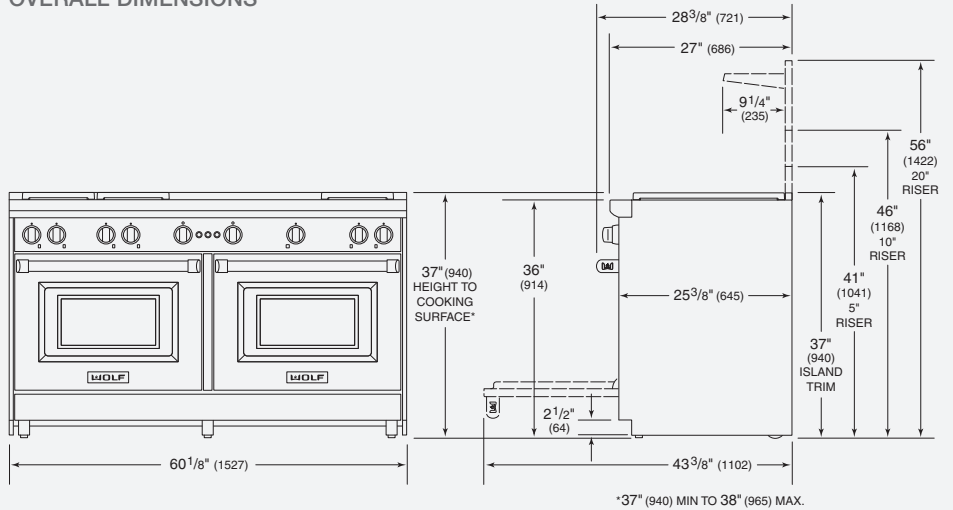
Accessories are available through your authorized Wolf dealer. For local dealer information, visit the find a showroom section of our website, wolfappliance.com.





60" Gas Ranges

OVERALL DIMENSIONS

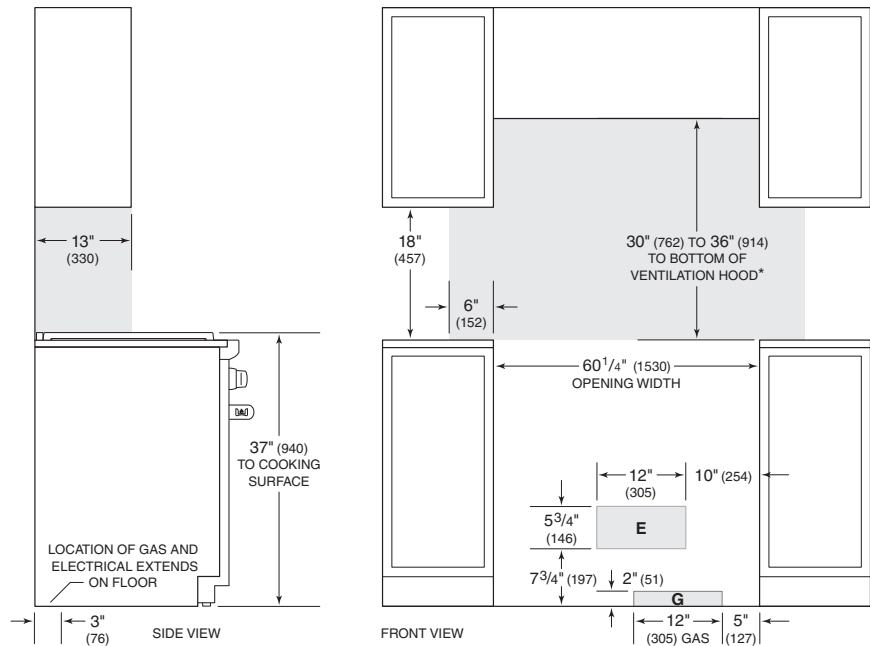


Unit dimensions may vary by $\pm 1/8$ ".

SPECIFICATIONS

Exterior Finish	Stainless Steel
Overall Width	60 ¹ / ₈ "
Overall Height (to cooking surface)	37"
Overall Depth	28 ³ / ₈ "
Oven Interior Capacity (per oven)	4.4 cu ft
Oven Interior Dimensions (per oven)	24" W x 18 ⁵ / ₈ " H x 17" D
Opening Width	60 ¹ / ₄ "
Opening Height (to countertop)	36"
Opening Depth	24"
Electrical Requirements	110/120 V AC 50/60 Hz, 15 amp circuit
Shipping Weight	875–950 lbs

INSTALLATION SPECIFICATIONS



*Without ventilation hood, 42" (1067) minimum clearance countertop to combustible materials, charbroiler and GR488 require non-combustible materials.

NOTE: Shaded area above countertop indicates minimum clearance to combustible surfaces, combustible materials cannot be located within this area.

For island installation, 12" (305) minimum clearance back of range to combustible rear wall above countertop.

INSTALLATION NOTES

- A riser is required for installations against a combustible surface.
- A Wolf pro wall, chimney, island ventilation hood or hood liner is recommended.

Dimensions in parentheses are in millimeters unless otherwise specified.

Free Manuals Download Website

<http://myh66.com>

<http://usermanuals.us>

<http://www.somanuals.com>

<http://www.4manuals.cc>

<http://www.manual-lib.com>

<http://www.404manual.com>

<http://www.luxmanual.com>

<http://aubethermostatmanual.com>

Golf course search by state

<http://golfingnear.com>

Email search by domain

<http://emailbydomain.com>

Auto manuals search

<http://auto.somanuals.com>

TV manuals search

<http://tv.somanuals.com>