



## 30" Downdraft Ventilation System

The cooktop downdraft unit rises from the countertop to whisk away odors and smoke into the easy-to-clean, five-layer mesh filter. Model DD30I includes an internal blower. In-line and remote blower options are available for model DD30R.



Model DD30 shown. Also shown is model IM15/S multi-function cooktop and model CT15G/S gas cooktop.

### FEATURES

- Remote-mounted control module.
- Internal, in-line and remote blower options.
- Three-speed blower control.
- Filter clean timer lets you know when the filter needs cleaning.
- Delay-off feature automatically turns unit off after five minutes, chimney remains up.
- Stainless steel filter cover with dishwasher-safe aluminum mesh filter.
- LED indicators.
- Downdraft control kit, included with the unit—includes control module, top cover, mounting brackets, RJ45 connector and mounting hardware.



Control module.

### MODEL OPTIONS

	DD30I	DD30R
Includes 500 CFM Internal Blower	•	
Requires In-Line or Remote Blower		•

### BLOWER OPTIONS

CFM	INTERNAL				IN-LINE		REMOTE			
	500	600	900	1200	600	1100	600	900	1200	1500
DD30R					•		•	•	•	•

### ACCESSORIES

- In-line and remote blowers for model DD30R (refer to chart above).
- Bracket supports for installation of two integrated modules with downdraft.
- SRT/Downdraft trim kit for use with sealed burner rangetop model SRT304.
- Transitions in various sizes.

Accessories are available through your authorized Wolf dealer. For local dealer information, visit the find a showroom section of our website, [wolfappliance.com](http://wolfappliance.com).



Model DD30

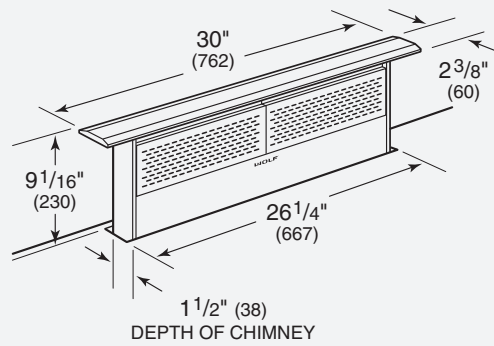
**IMPORTANT NOTE:** Wolf downdraft systems can be used with all Wolf induction, electric and gas cooktops, except unframed models. Wolf downdraft systems cannot be used with the steamer or fryer module and are not recommended for use with the electric grill module.

A pro ventilation hood is recommended for use with Wolf dual fuel ranges, gas ranges, sealed burner rangetops and gas rangetops. The 30" downdraft can be used with sealed burner rangetop model SRT304.



## 30" Downdraft Ventilation System

### OVERALL DIMENSIONS



Unit dimensions may vary by  $\pm 1/8$ ".

### SPECIFICATIONS

Overall Width	30"
Overall Height (above countertop)	9 1/16"
Overall Depth	2 3/8"
Duct Size	Model DD30I 3 1/4" x 10" Model DD30R 3 1/4" x 14"
Discharge	Adjustable
Minimum Flat Countertop Depth*	25 1/8"
Downdraft Cut-Out Width	27"
Downdraft Cut-Out Depth	2 3/4"
Electrical Requirements	110/120 V AC 60 Hz, 15 amp circuit

Power Cord\*\* 2 1/2' cord with grounded plug

Shipping Weight 75 lbs

\*Depth of countertop increases for installation with the sealed burner rangetop. Refer to installation instructions provided with the SRT/Downdraft trim kit.

\*\*The specific location of the outlet is not critical, as long as it is within reach of the power cord that is located mid-way, top and bottom, on the right side of the downdraft. Certain installations may require that the electrical supply be placed in an adjacent cabinet.

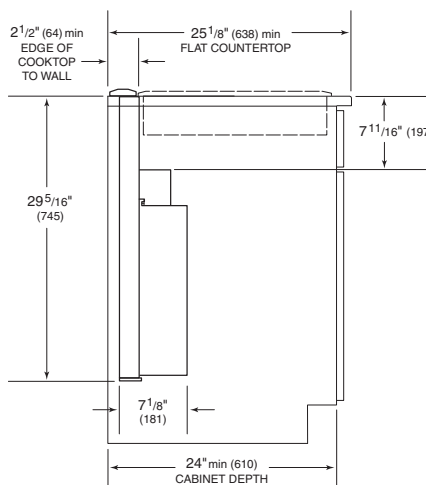
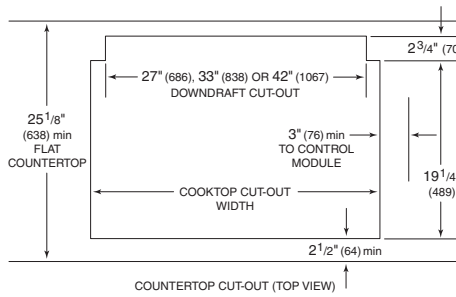
### INSTALLATION NOTES

Model DD30 can be used with sealed burner rangetop model SRT304. An accessory trim kit is necessary for this installation. Contact your authorized Wolf dealer for details.

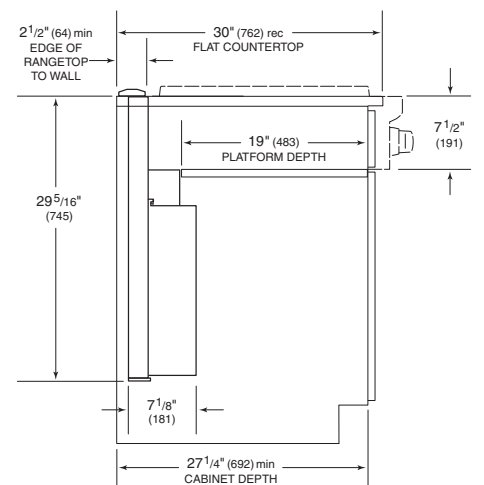
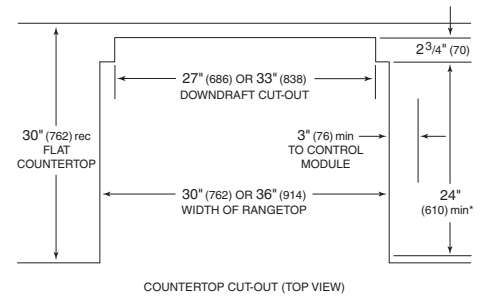
Complete installation specifications can be found on our website, [wolfappliance.com](http://wolfappliance.com).

### INSTALLATION SPECIFICATIONS

#### Installation with Cooktop



#### Installation with Sealed Burner Rangetop



\*Additional depth may be required if rangetop is to be installed flush with cabinet face.

Dimensions in parentheses are in millimeters unless otherwise specified.

## Free Manuals Download Website

<http://myh66.com>

<http://usermanuals.us>

<http://www.somanuals.com>

<http://www.4manuals.cc>

<http://www.manual-lib.com>

<http://www.404manual.com>

<http://www.luxmanual.com>

<http://aubethermostatmanual.com>

Golf course search by state

<http://golfingnear.com>

Email search by domain

<http://emailbydomain.com>

Auto manuals search

<http://auto.somanuals.com>

TV manuals search

<http://tv.somanuals.com>