

DOWNDRAFT VENTILATION INSTALLATION INSTRUCTIONS

INSTRUCCIONES DE INSTALACIÓN

INSTRUCTIONS D'INSTALLATION

ISTRUZIONI PER L'INSTALLAZIONE

INSTALLATIONSANWEISUNGEN

 WOLF®



ENGLISH	4
ESPÁNOL	18
FRANÇAIS	32
ITALIANO	46
DEUTSCH	60



CONTACT INFORMATION

Website:
wolfappliance.com

As you follow these instructions, you will notice **WARNING** and **CAUTION** symbols. This blocked information is important for the safe and efficient installation of Wolf equipment. There are two types of potential hazards that may occur during installation.

⚠ CAUTION

signals a situation where minor injury or product damage may occur if you do not follow instructions.

⚠ WARNING

states a hazard that may cause serious injury or death if precautions are not followed.

Another footnote we would like to identify is **IMPORTANT NOTE**: This highlights information that is especially relevant to a problem-free installation.



INSTALLATION REQUIREMENTS

IMPORTANT NOTE: This installation must be completed by a qualified installer or Wolf authorized service center technician.

- **Installer:** Please read the entire Installation Instructions prior to installation. Save these instructions for the local inspector's reference, then leave them with the homeowner.
- **Homeowner:** Please read and keep these instructions for future reference and be sure to read the entire Use & Care Information prior to use.

Any questions or problems regarding the installation should be directed to your dealer or visit our website, wolfappliance.com.

IMPORTANT NOTE: This appliance must be installed in accordance with National Electrical Codes, as well as all state, municipal and local codes. The correct voltage, frequency and amperage must be supplied to the appliance from a dedicated, grounded circuit which is protected by a properly sized circuit breaker or time delay fuse. The proper voltage, frequency, and amperage ratings are listed on the product rating plate.

Record the model and serial numbers before installing the downdraft ventilation system. Both numbers are listed on the rating plate, located above the airbox on the front side of the unit. Refer to the illustration below.

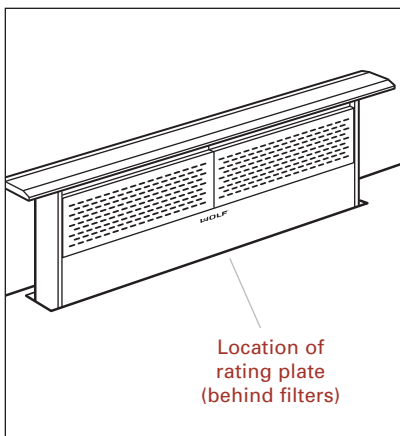
BEFORE YOU START

- Proper installation is the responsibility of the installer.
- Check with local utilities for electrical codes that apply in your area. Local codes vary. Installation, electrical connections and grounding must comply with applicable codes.
- This appliance must be properly grounded. Refer to Electrical Requirements on page 7.
- Make sure you have the tools and materials necessary for proper installation.
- Any required service must be performed by a Wolf authorized service center. Wolf is not responsible for service required to correct a faulty installation.

RATING PLATE INFORMATION

Model Number

Serial Number



Rating plate location

DOWNDRAFT VENTILATION

OVERALL DIMENSIONS

IMPORTANT NOTE: Wolf downdraft ventilation systems are recommended for use with Wolf framed induction or electric, gas and multi-function cooktops. They cannot be used with unframed induction or electric cooktops and are not recommended for use with the electric grill, steamer and fryer modules. A Pro ventilation hood is recommended for use with Wolf dual fuel ranges, gas ranges and rangetops.

IMPORTANT NOTE: A downdraft can be used with sealed burner rangetop Models ICBSRT304 and ICBSRT366. An accessory trim kit (810215) is necessary for this installation. Contact your Wolf dealer for details.

Wolf downdraft ventilation systems are available in 762 mm, 914 mm and 1156 mm widths. The downdraft should be at least as wide as the cooktop.

Models ICBDD30I, ICBDD36I and ICBDD45I include an 850 m³/hr internal blower. Models ICBDD30R, ICBDD36R and ICBDD45R are shipped without a blower assembly and can be used with a 1529 m³/hr remote blower (812307), available through your Wolf dealer.

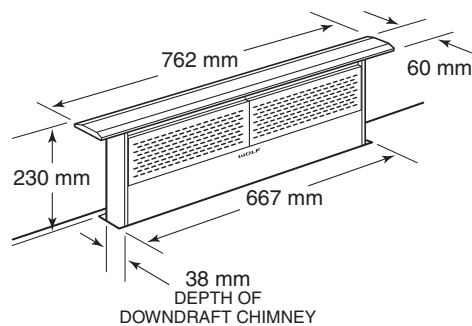
MODELS ICBDD30I AND ICBDD30R

Overall Width	762 mm
Width of Chimney	667 mm
Overall Height (above countertop)	230 mm
Overall Depth	60 mm
Depth of Chimney	38 mm

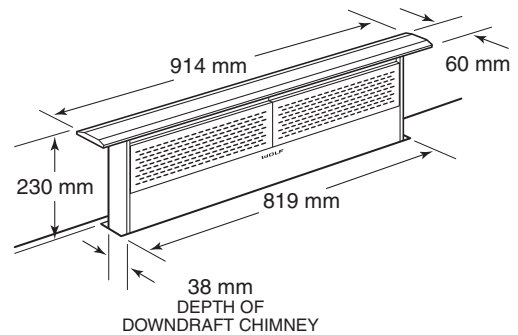
MODELS ICBDD36I AND ICBDD36R

Overall Width	914 mm
Width of Chimney	819 mm
Overall Height (above countertop)	230 mm
Overall Depth	60 mm
Depth of Chimney	38 mm

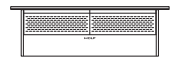
Dimensions may vary to ± 3 mm.



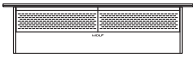
Models ICBDD30I and ICBDD30R



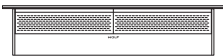
Models ICBDD36I and ICBDD36R



Model ICBDD30



Model ICBDD36



Model ICBDD45



OVERALL DIMENSIONS

MODELS ICBDD45I AND ICBDD45R

Overall Width	1156 mm
Width of Chimney	1048 mm
Overall Height (above countertop)	230 mm
Overall Depth	60 mm
Depth of Chimney	38 mm

Dimensions may vary to ±3 mm.

ELECTRICAL REQUIREMENTS

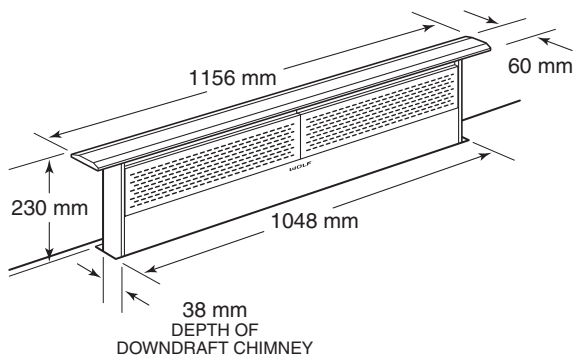
Wolf downdraft ventilation systems require a separate, 240 V 50/60 Hz power supply. The service should have its own 10A circuit breaker. The unit is supplied with a 2.5 m CEE 7/7 “Schuko” style Continental European power cord. The specific location of the outlet is not critical, as long as it is within reach of the power cord that is located mid-way, top and bottom, on the right side of the downdraft.

IMPORTANT NOTE

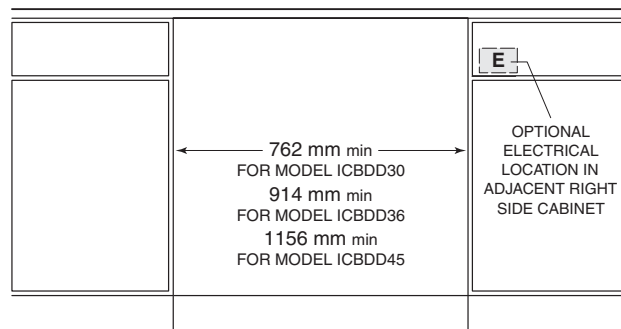
You must follow all National Electrical Code regulations. In addition, be aware of local codes and ordinances when installing your service.

IMPORTANT NOTE: If Model ICBDD30 is to be installed in a 762 mm wide cabinet, Model ICBDD36 in a 914 mm wide cabinet or Model ICBDD45 in a 1156 mm wide cabinet, the electrical outlet cannot be located on the back wall of the cabinet. The outlet can be placed in an adjacent cabinet within reach of the power cord. An access hole for the power cord must be drilled in the cabinet wall.

Choose the electrical location shown in the illustration below that best suits your installation.



Models ICBDD45I and ICBDD45R



Location of electrical

INSTALLATION SPECIFICATIONS

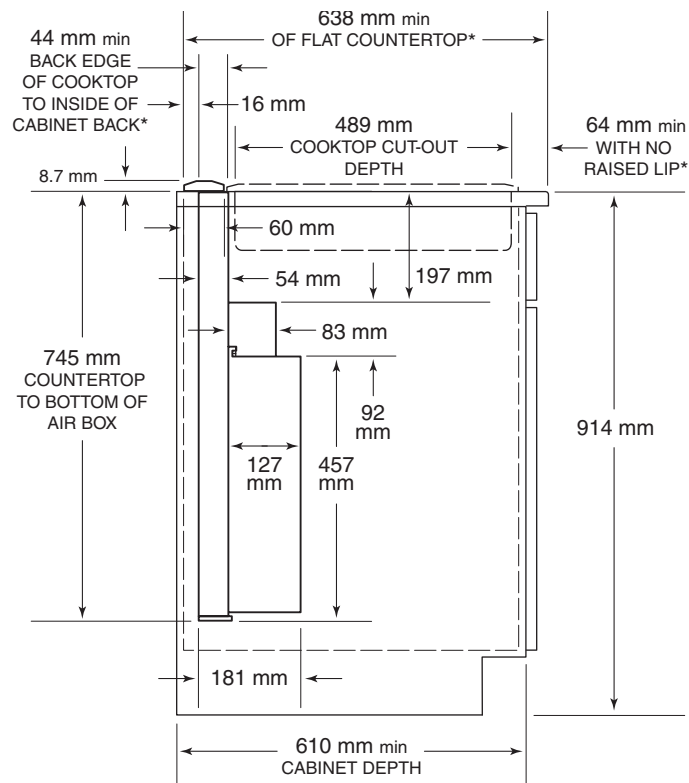
Wolf downdraft Model ICBDD30 will fit most 762 mm wide cabinets, Model ICBDD36 will fit most 914 mm wide cabinets and Model ICBDD45 will fit most 1156 mm wide cabinets. It is recommended that oversized cabinets be used for easier installation. Cabinet backs may need to be removed.

Wolf downdraft ventilation systems can be mounted in an island, peninsula or standard wall location.

The illustration below provides installation dimensions for all Wolf downdraft models. Pay careful attention to the areas of potential interference as noted in the illustration.

IMPORTANT NOTE: To install a downdraft system and a Wolf cooktop, you must allow for a minimum 638 mm flat counter space from front to back. A countertop with a raised lip or backsplash may not allow enough space for proper installation. 60 mm of flat countertop is required behind the cooktop and 44 mm is necessary between the back edge of the cooktop and inside of cabinet back.

If downdraft Model ICBDD30 is installed in combination with with two cooktops or integrated modules, an integrated module support (8603386) for downdraft ventilation is required. The integrated module support is not required for Model ICBDD45.



*AREAS OF POTENTIAL INTERFERENCE

Downdraft installation dimensions



INSTALLATION SPECIFICATIONS

For installation of a downdraft system with a cooktop, refer to the cooktop installation instructions for the dimensions of the cooktop, countertop cut-out and cabinet requirements. The depth of the cooktop may vary and will affect the location of the downdraft in the countertop.

The illustration below provides countertop cut-out dimensions for downdraft Models ICBDD30, ICBDD36 and ICBDD45 installed with a Wolf 762 mm or 914 mm cooktop or combination of cooktop and/or modules.

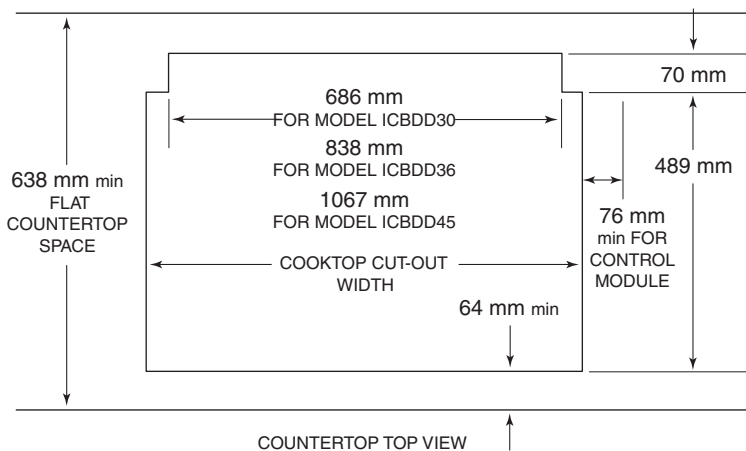
IMPORTANT NOTE: For installation of a downdraft with sealed burner rangetop Models ICBSRT304 and ICBSRT366, an accessory trim kit (810215) is necessary. Contact your Wolf dealer for details. To obtain local dealer information, visit our website, wolfappliance.com.

The control module can be positioned horizontally or vertically and located anywhere within 3 m of the downdraft assembly and a minimum of 76 mm from edge of cooktop cut-out. Refer to page 11 for instructions to install the control module.

IMPORTANT NOTE: The downdraft must be used with a Wolf-approved control module and top cover.

COUNTERTOP CUT-OUT

- Layout and cut the cooktop cut-out far enough forward so the downdraft will fit behind it.
- Set the cooktop in place and slide it as far forward as possible. Center and square the cooktop with edges of countertop.
- Place the plastic template included with the downdraft against the back flange of the cooktop and centered. Trace around the template to mark the downdraft opening.
- Remove the cooktop from countertop.
- Cut the downdraft opening. Be careful not to chip the edges of the countertop.



Countertop cut-out dimensions

DOWNDRAFT INSTALLATION

- Set the downdraft into the opening. Extend the leveling brackets to the floor of the cabinet so the downdraft sits straight. NOTE: The leveling brackets can be removed and reattached in other positions. The flange of the leveling bracket may have to face inward in tight cabinet installations. Refer to the illustration below.
- Secure the downdraft to the countertop by holding the downdraft against the back of the countertop cut-out and tightening the two mounting screws (one on each end of unit) on the underside of the countertop.
- Screw the leveling brackets to the bottom of the cabinet. Tighten the screws holding the leveling brackets to unit on each side.

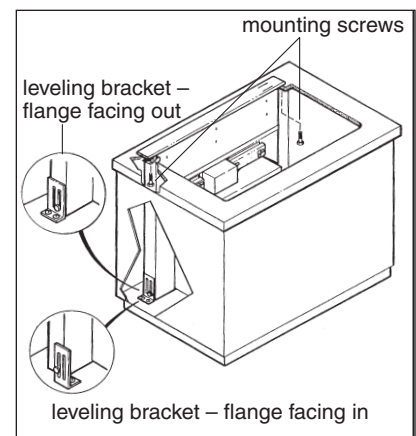
CONTROL MODULE**⚠ WARNING**

To reduce the risk of burns or ignition of clothing by reaching across burners, control module must be mounted at least 76 mm from edge of cooktop cut-out.

The remote-mounted control module and top cover are included with the downdraft. Also included are mounting brackets, RJ45 connector and mounting hardware.

The control module can be located anywhere within reach of the 3 m power cable and a minimum of 76 mm from edge of cooktop cut-out. The remote-mounted control module is 60 mm x 168 mm and can be positioned horizontally or vertically in the countertop.

IMPORTANT NOTE: Do not place the module where it will be in the way of cooking, where hot pans may be placed or where hot liquids could be spilled on the controls.



Downdraft mounting brackets



CONTROL MODULE

You will be required to drill three holes and connect the control module to the downdraft assembly using the cable provided. A 25 mm diameter hole for the RJ45 connector cable will be centered horizontally and vertically in the back side of the control module. Two 6 mm diameter holes for the mounting screws will be located 51 mm from the center of the RJ45 connector cable hole, one on each side.

CONTROL MODULE INSTALLATION

- Mark the center of the control module on the counter top. Measure 51 mm up (or left) and 51 mm down (or right) to locate holes for the mounting screws.
- Carefully drill the three holes through the countertop. Be careful not to damage or chip the countertop surface while drilling.
- Check the countertop thickness. Set the control module in place and make sure the threaded studs are long enough to allow the nylon thumbnuts to fully engage. Thicker countertops may require that the holes be partially counter-sunk from below.
- Apply a bead of caulk all the way around the underside of the control module to prevent liquids from reaching the electrical connection or dripping through the holes in the countertop. Position the control module.
- From below the countertop, thread the two nylon thumbnuts onto the studs of the control module and hand tighten only.

CONTROL MODULE CONNECTION

- Connect the RJ45 connector cable to the back side of the remote-mounted control module.
- Connect the other end of the cable to the electrical connection located on the right side of downdraft assembly. Make sure that all connections are tight.
- Refer to the illustration placed on the front of the downdraft for the correct orientation of the RJ45 connector during installation into the downdraft assembly.



BLOWER OPTIONS

DUCTING CONSIDERATIONS

ACCESSORIES

Optional accessories are available through your Wolf dealer. To obtain local dealer information, visit our website, wolfappliance.com.

Wolf downdraft Models ICBDD30I, ICBDD36I and ICBDD45I include an 850 m³/hr internal blower. Models ICBDD30R, ICBDD36R and ICBDD45R are shipped without a blower assembly and can be used with a 1529 m³/hr remote blower (812307), available through your Wolf dealer.

IMPORTANT NOTE: Blower options vary with the cooking surface. For recommendations, refer to the Wolf Design Guide found on the Wolf website, wolfappliance.com.

IMPORTANT NOTE: Install this downdraft ventilation system only with a Wolf blower.

The blower will vary in size and is dictated by the cooking surface, the volume of air that needs to be moved and the length of the duct run. A straight, short duct run with a limited number of elbows and transitions will allow the downdraft to perform most efficiently.

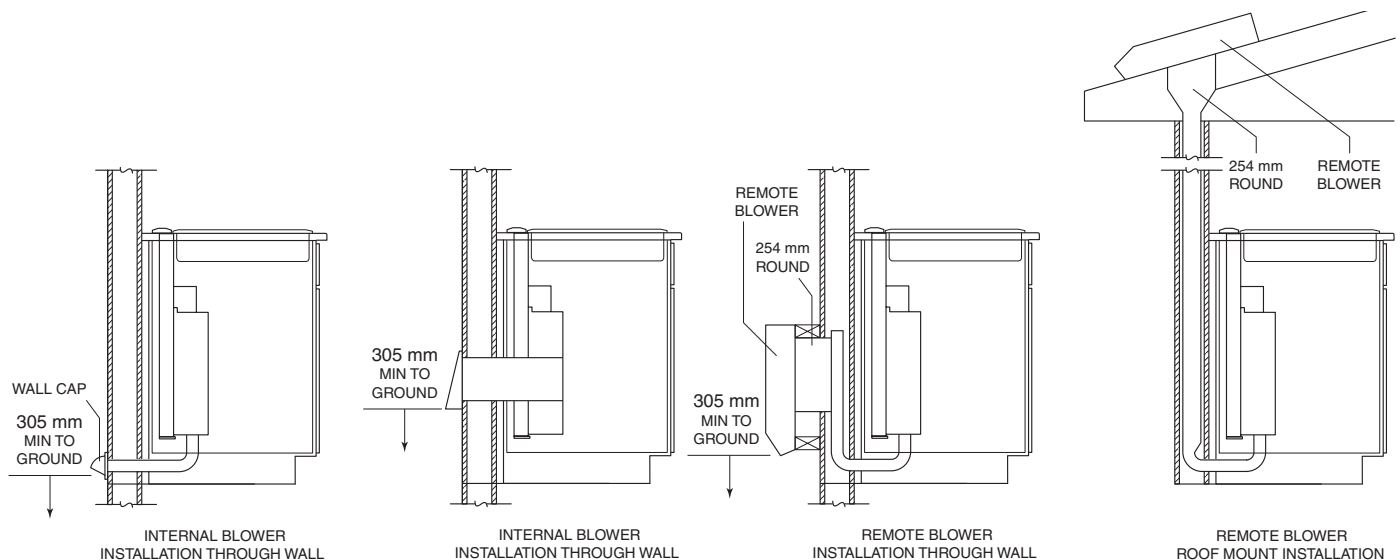
A remote-mounted blower will minimize the amount of blower noise, but will not eliminate the noise completely.

IMPORTANT NOTE: Always consult a qualified HVAC Engineer for specific ducting applications.

Wolf downdraft models with an internal blower are designed for use with 83 mm x 254 mm ductwork and 83 mm x 356 mm ductwork for models with a remote blower. Each can be transitioned to 203 mm or 254 mm round ductwork.

For best performance, 254 mm round ductwork is recommended. The downdraft will operate most efficiently when the ductwork does not exceed 12 m in length.

Choose the ducting option that allows the shortest length of ductwork and a minimum number of elbows and transitions. Check the location of floor joists, wall studs, electrical wiring or plumbing for possible interference with the ductwork. Refer to the illustrations below for ducting options.



Downdraft ducting options



DUCTWORK INSTALLATION

⚠ WARNING

To reduce the risk of fire, use only metal ductwork.

IMPORTANT NOTE: Wolf ventilation down-draft systems must be vented to the outside.

IMPORTANT NOTE: Before cutting the hole in the cabinet for ductwork, check for interference with floor joists, wall studs, electrical wiring or plumbing.

- Cut the hole in the cabinet as well as holes in wall or floor as necessary for the ductwork.
- Mount the roof or wall cap and work back towards the cabinet, attaching all ductwork, elbows and transitions as previously planned. Tape all ductwork connections to make them secure and air tight.
- Connect the ductwork and transition (if required) to the downdraft. If necessary, loosen the nuts and screws that hold the blower in place, and slide the blower left or right to align with the ductwork. Retighten the screws and nuts.

IMPORTANT NOTE: For installations where the ductwork is riveted to the unit, an 83 mm x 254 mm collar is provided for models with an internal blower and an 83 mm x 356 mm collar is provided for models with a remote blower. This will allow the blower to be removed and replaced easily for service without disturbing the ductwork.

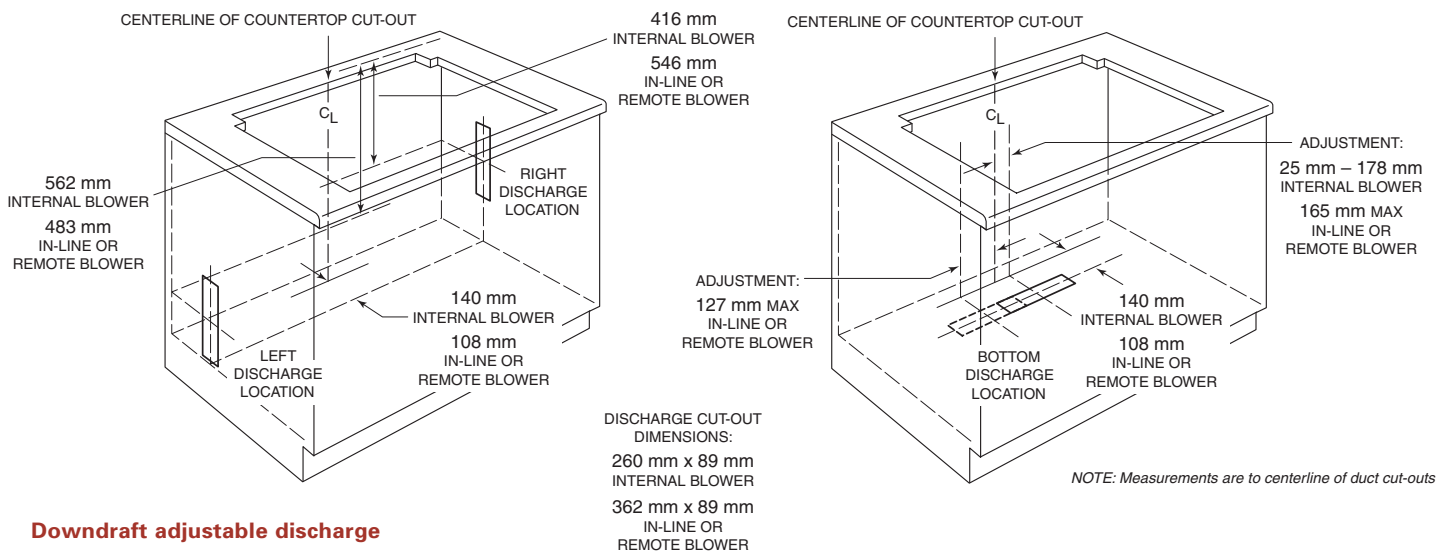
IMPORTANT NOTE: Use duct tape to seal the connection between the blower outlet and ductwork. Support the weight of the ductwork as necessary to ensure sealed joints.



ADJUSTABLE DISCHARGE

Wolf downdraft systems have an adjustable discharge that will allow you to negotiate ducting around floor joists and other obstacles.

Three different discharge locations are available with side-to-side adjustment for accurate alignment of ductwork. The blower is shipped with the discharge facing down. Refer to the illustration below for the discharge location and adjustment that best suits your installation.



Downdraft adjustable discharge



ADJUSTING BLOWER DISCHARGE

DOWN DISCHARGE LEFT TO RIGHT

Adjusting the down discharge left to right will keep the blower discharge in the down position but allows some side-to-side adjustment.

Follow these steps if the position of the blower discharge needs to be moved left to right so that ductwork does not interfere with floor joists, plumbing or wiring below the unit. Refer to the illustration below.

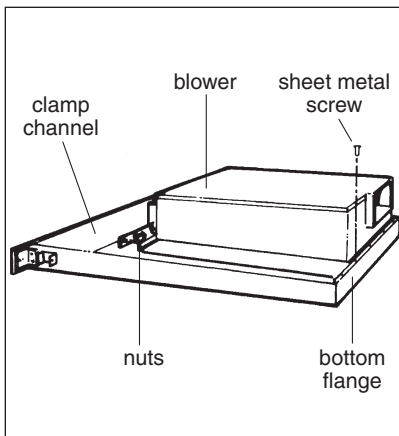
- Place the downdraft assembly on its back on a flat work surface.
- Loosen the 4 nuts and 2 clamp channels.
- Slide the blower to the desired position.
- Use the supplied cover plate to close any open space.
- Tighten nuts to secure the top of blower and use sheet metal screws through the bottom flange to secure the bottom of the blower.

DOWN TO LEFT OR RIGHT DISCHARGE

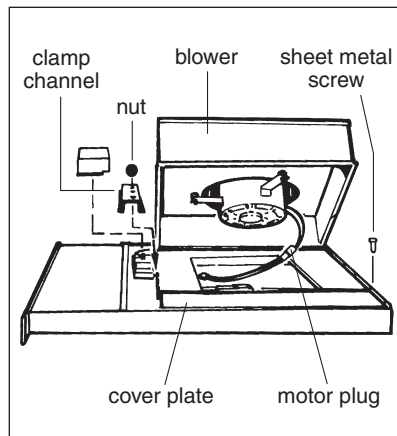
Substituting down discharge with left or right discharge will switch the blower discharge from the down position to the left or right of downdraft assembly.

Follow these steps if it is necessary to rotate the blower to the left or right discharge location. Refer to the illustration below.

- Place the downdraft assembly on its back on a flat work surface.
- Remove the 4 nuts and 2 clamp channels.
- Remove the gear motor cover.
- Carefully lift the blower and disconnect the motor plug if necessary. Reposition the blower and reconnect the motor plug.
- Use the supplied cover plate to close any open space.
- Replace the clamp channels and use the nuts to secure the blower in its new position.
- Reinstall the gear motor cover.
- Use sheet metal screws (not supplied with unit) through the bottom flange to secure the bottom of the blower.



Down blower discharge adjustment



Left or right blower discharge

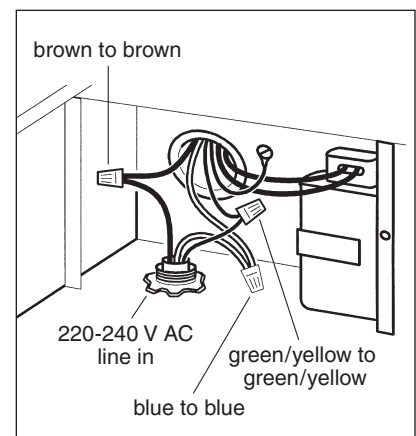
INTERNAL BLOWER WIRING**ICBDD30I, ICBDD36I AND ICBDD45I**

- Mount a standard 220-240 V AC electrical box, with 3-pronged grounded receptacle, inside the cabinet or adjacent cabinet. Make sure it is located within the reach of the downdraft's 2.5 m power cord.
- Run the appropriate power cable into the cabinet and connect it to electrical box and outlet.
- Plug the power cord of the downdraft into the outlet.

REMOTE BLOWER WIRING**ICBDD30R, ICBDD36R AND ICBDD45R**

- Mount a standard 220-240 V AC electrical box, with 3-pronged grounded receptacle, inside the cabinet or adjacent cabinet. Make sure it is located within the reach of the downdraft's 2.5 m power cord.
- Run the appropriate power cable into the cabinet and connect it to electrical box and outlet.
- The remote blower may not exceed a 3.0 amp rating.
- Run 2-wire plus ground power cable from the remote blower to the electrical box on the remote blower adapter plate.
- Connect the downdraft wiring to the power cable from the remote blower. Wire brown to brown, blue to blue and green/yellow to green/yellow. Refer to the illustration below.
- Replace the electrical box cover.
- Plug the power cord of the downdraft into the outlet.

IMPORTANT NOTE: For mounting and installation of the remote blower, refer to the installation instructions for your specific blower.



Wiring connections



TROUBLESHOOTING

IMPORTANT NOTE: If the downdraft ventilation system does not operate properly, follow these troubleshooting steps:

- Verify that power is being supplied to the downdraft.
- Check electrical connections to ensure that the installation has been completed correctly.
- Refer to the Troubleshooting Guide in the Wolf Downdraft Ventilation Use & Care Information.
- If the downdraft still does not work, contact a Wolf authorized service center. Do not attempt to repair the downdraft yourself. Wolf is not responsible for service required to correct a faulty installation.

IF YOU NEED SERVICE

- Maintain the quality built into your downdraft ventilation system by calling a Wolf authorized service center.
- For service in your area, contact your Wolf dealer or visit our website, **wolfappliance.com** to find the regional distributor by country.
- When calling for service, you will need the model and serial number of your downdraft. This information is found on the product rating plate, located above the airbox on the front side of the unit. Refer to the illustration on page 5.

CONTACT INFORMATION

Website:
wolfappliance.com

The information and images in this book are the copyright property of Wolf Appliance, Inc., an affiliate of Sub-Zero, Inc. Neither this book nor any information or images contained herein may be copied or used in whole or in part without the express written permission of Wolf Appliance, Inc., an affiliate of Sub-Zero, Inc.

©Wolf Appliance, Inc. all rights reserved.



WOLF[®]

INFORMACIÓN
DE CONTACTO

Página Web:
wolfappliance.com

Quando consulte las instrucciones que aparecen en esta guía, encontrará símbolos de **ADVERTENCIA** y **PRECAUCIÓN**. Esta información en recuadros es importante para instalar el equipo de Wolf de forma segura y eficaz. Existen dos tipos de posibles riesgos que pueden producirse durante una instalación.

▲ PRECAUCIÓN

indica una situación en la que se pueden sufrir heridas leves o provocar daños secundarios al producto si no se siguen las instrucciones.

▲ ADVERTENCIA

indica peligro de que se produzcan heridas personales graves o incluso puede provocar la muerte si no se siguen las precauciones especificadas.

Otro tipo de anotación que es importante resaltar es la que se incluye en **NOTA IMPORTANTE**: En esta nota se resalta la información que resulta especialmente importante para que la instalación se realice sin problemas.



REQUISITOS DE **INSTALACIÓN**

NOTA IMPORTANTE: Esta instalación debe ser realizada por un técnico cualificado o por un técnico de mantenimiento autorizado de Wolf.

- **Instalador:** Lea las instrucciones de instalación antes de llevar a cabo la instalación. Guarde estas instrucciones para que el inspector local pueda utilizarlas como referencia y, a continuación, entréguelas al propietario del aparato.
- **Propietario:** Lea y guarde estas instrucciones para que pueda utilizarlas como referencia en el futuro y asegúrese de leer la guía de uso y mantenimiento antes de utilizar el aparato.

Si tiene alguna pregunta o problema relacionado con la instalación, debe ponerse en contacto con su distribuidor o visite nuestra página Web wolfappliance.com.

NOTA IMPORTANTE: Este aparato debe instalarse siguiendo las normativas y reglamentos nacionales vigentes sobre instalaciones eléctricas así como todos los reglamentos estatales, municipales y nacionales. Se debe aplicar al aparato el voltaje, la frecuencia y el amperaje adecuados desde una instalación eléctrica resistente con toma de tierra protegida por un fusible de retardo. El voltaje, la frecuencia y el amperaje se muestran en la placa de datos del producto.

Apunte la referencia del modelo y los números de serie antes de instalar la campana extractora de encimera. Esta información se encuentra en la placa de datos del producto que está situada en la caja de aire de la parte delantera de la unidad. Observe la siguiente ilustración.

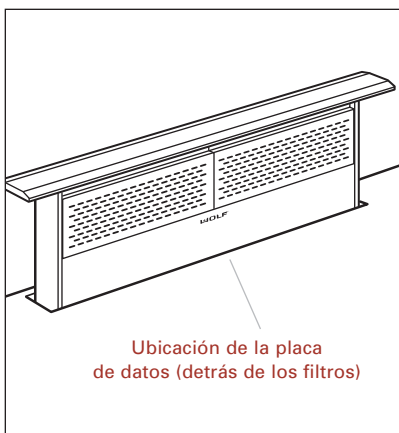
ANTES DE COMENZAR

- Llevar a cabo una instalación correcta es responsabilidad del instalador.
- Consulte la normativa eléctrica correspondiente a su área con los servicios públicos locales. La normativa local puede variar. La instalación, las conexiones eléctricas y la conexión a tierra deben cumplir la normativa aplicable.
- Este aparato debe estar conectado a tierra de manera correcta. Consulte la sección Requisitos eléctricos en la página 21.
- Compruebe que tiene las herramientas y los materiales necesarios para realizar la instalación de manera correcta.
- Cualquier tarea de mantenimiento debe ser realizada por un centro de asistencia técnica autorizado de Wolf. Wolf no se hace responsable de las tareas de mantenimiento que deban realizarse para corregir una instalación defectuosa.

INFORMACIÓN DE LA PLACA DE DATOS

Referencia del modelo

Número de serie



Ubicación de la placa de datos

CAMPANA **EXTRACTORA DE ENCIMERA**

MEDIDAS **GENERALES**

NOTA IMPORTANTE: Se recomienda utilizar las campanas extractoras de encimera de Wolf con placas de inducción, vitrocerámicas, placas de gas y placas multifunción con marco. Estas campanas no se puede utilizar con vitrocerámicas o placas de inducción sin marco y no se recomienda utilizar esta campana extractora con los módulos de freidora, vaporizador ni con el módulo de parrilla eléctrico. Para las cocinas mixtas, las cocinas de gas y las encimeras de cocción a gas se recomienda utilizar una campana extractora Pro.

MODELOS ICBDD30I E ICBDD30R

Anchura total	762 mm
Anchura de chimenea	667 mm
Altura total (sobre encimera)	230 mm
Profundidad total	60 mm
Profundidad de chimenea	38 mm

NOTA IMPORTANTE: Con la encimera de cocción con quemadores herméticos modelo ICBST304 e ICBST366 se puede utilizar una campana extractora de encimera. Es necesario utilizar un kit de marco para campana (810215) para realizar esta instalación. Póngase en contacto con su distribuidor de Wolf para obtener más detalles.

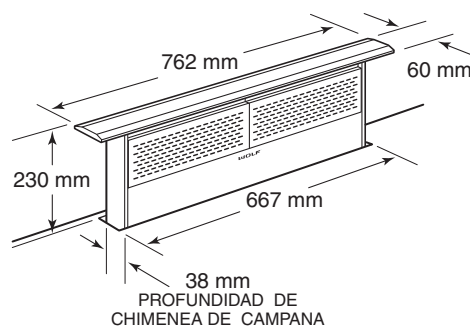
MODELOS ICBDD36I E ICBDD36R

Anchura total	914 mm
Anchura de chimenea	819 mm
Altura total (sobre encimera)	230 mm
Profundidad total	60 mm
Profundidad de chimenea	38 mm

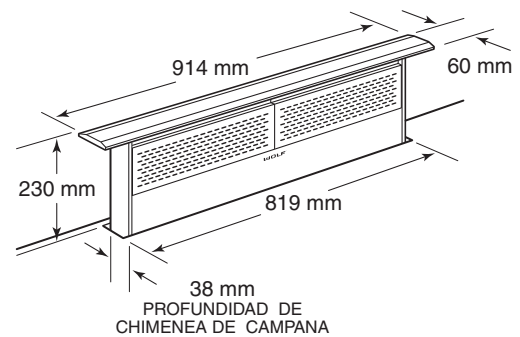
Las medidas pueden variar ± 3 mm.

Las campanas extractoras de encimera de Wolf están disponibles en anchos de 762 mm, 914 mm y 1.156 mm. La campana extractora debe tener al menos la misma anchura que la placa.

Los modelos ICBDD30I, ICBDD36I e ICBDD45I incluyen un ventilador interno de 850 m³/hr. Los modelos ICBDD30R, ICBDD36R e ICBDD45R se envían sin ventilador y se pueden utilizar con un ventilador remoto de 1.529 m³/hr (812307) disponible a través de su distribuidor de Wolf.



Modelos ICBDD30I e ICBDD30R



Modelos ICBDD36I e ICBDD36R



MEDIDAS GENERALES

MODELOS ICBDD45I E ICBDD45R

Anchura total	1.156 mm
Anchura de chimenea	1.048 mm
Altura total (sobre encimera)	230 mm
Profundidad total	60 mm
Profundidad de chimenea	38 mm

Las medidas pueden variar ± 3 mm.

REQUISITOS ELÉCTRICOS

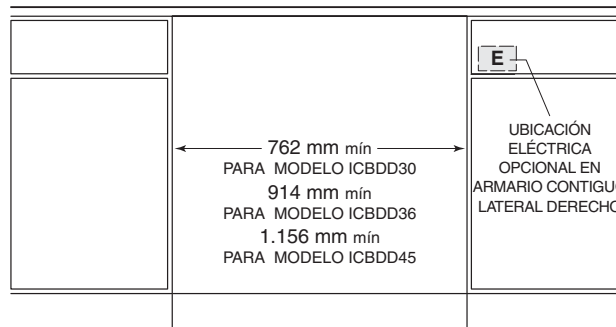
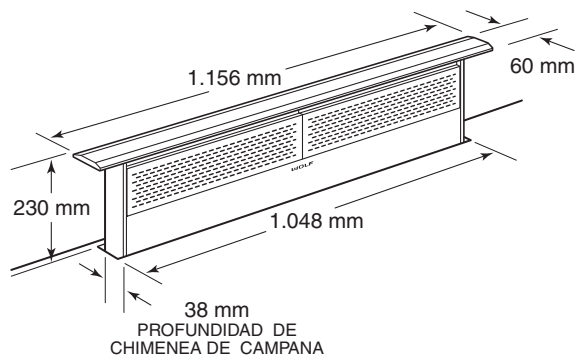
La campana extractora de encimera requiere un suministro eléctrico de 240 V 50/60 Hz independiente. El servicio debe disponer de su propio cortacircuitos de 10 amperios. La unidad incluye un cable de alimentación estándar para Europa continental CEE 7/7 (Schuko) de 2,5 m. La ubicación específica de la toma no es primordial siempre y cuando esté cerca del cable eléctrico que está ubicado en la mitad, superior e inferior, del lado derecho del ventilador.

NOTA IMPORTANTE:

Debe cumplir todos los códigos y regulaciones eléctricas nacionales vigentes. Además, deberá cumplir los códigos y normativas eléctricas locales al instalar el aparato.

NOTA IMPORTANTE: Si el modelo ICBDD30 se va a instalar en un armario con un ancho de 762 mm, el modelo ICBDD36 en un armario con un ancho de 914 mm o el modelo ICBDD45 se va a instalar en un armario de 1.156 mm de ancho, la toma eléctrica no puede estar ubicada en la pared trasera del armario. La toma puede colocarse en un armario contiguo cerca del cable eléctrico. Puede taladrar un agujero de acceso para el cable eléctrico en la pared del armario.

Seleccione la ubicación que mejor se adapte a su instalación en la ilustración que se muestra.



Modelos ICBDD45I e ICBDD45R

Ubicación de la toma eléctrica



ESPECIFICACIONES DE LA **INSTALACIÓN**

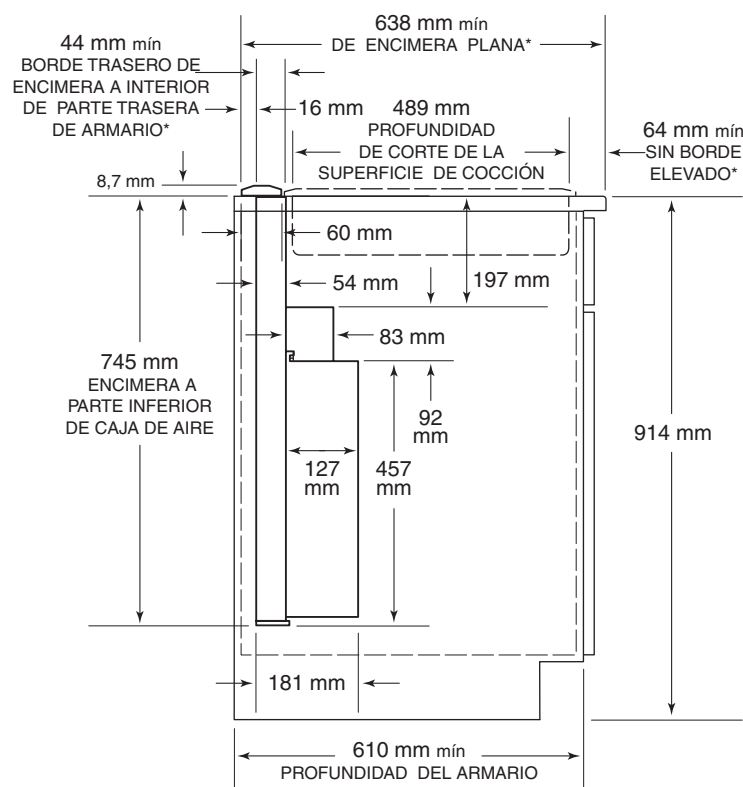
La campana extractora de Wolf modelo ICBDD30 se adapta a la mayoría de los armarios de 762 mm de ancho; el modelo ICBDD36 se adapta a la mayoría de los armarios con un ancho de 914 mm y el modelo ICBDD45 se adapta a la mayoría de los armarios de 1.156 mm de ancho. Se recomienda que utilice armarios de mayor tamaño para facilitar la instalación. Es posible que sea necesario quitar la parte trasera del armario.

La campana extractora de encimera de Wolf se pueden colocar en isla, península o en una colocación estándar en la pared.

La siguiente ilustración proporciona las medidas de la instalación para todos los modelos de campanas extractoras de encimera de Wolf. Preste especial atención a las áreas en las que puede haber posibles interferencias que se señalan en la ilustración.

NOTA IMPORTANTE: Para instalar una campana extractora de encimera con una superficie de cocción de Wolf, debe dejar un espacio mínimo de 638 mm de encimera plana desde la parte delantera a la trasera. Es posible que no haya el suficiente espacio para que la instalación se realice de manera correcta si la encimera tiene un borde elevado o un protector contra salpicaduras. Es necesario dejar un espacio de 60 mm de encimera plana detrás de la placa y un espacio de 44 mm entre el borde trasero de la placa y el interior de la parte trasera del armario.

Si la campana extractora de encimera modelo ICBDD30 se instala junto con dos placas o módulos integrables, es necesario disponer de un soporte del módulo integrable (8603386) para la campana extractora de encimera. No se necesita el soporte del módulo integrable para el modelo ICBDD45.



*ÁREAS DE POSIBLE INTERFERENCIA

Medidas para la instalación de la campana extractora de encimera



ESPECIFICACIONES DE LA **INSTALACIÓN**

Para instalar una campana extractora de encimera con una placa, consulte las instrucciones de instalación de la placa para obtener las medidas de la placa, las medidas de corte de la encimera y los requisitos del armario. La profundidad de la placa puede variar y afecta a la ubicación de la campana extractora en la encimera.

La siguiente ilustración proporciona las medidas de corte de la encimera que debe tener en cuenta para colocar los modelos ICBDD30, ICBDD36 e ICBDD45 de campana extractora de encimera que se instalen con una placa de Wolf de 762 mm ó 914 mm o con una combinación de placa y/o módulos.

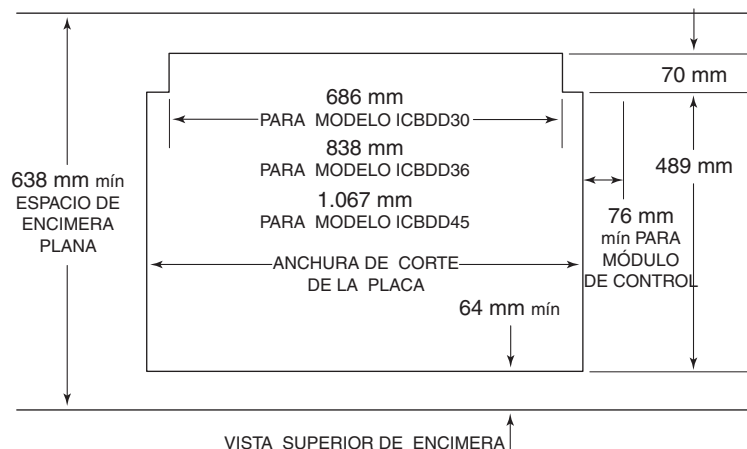
NOTA IMPORTANTE: Para instalar la campana extractora con una encimera de cocción con quemadores herméticos modelos ICBSRT304 e ICBSRT366, necesita utilizar un kit de marco para campana (810215). Póngase en contacto con su distribuidor de Wolf para obtener más detalles. Para obtener la información del distribuidor más cercano, visite nuestra página Web wolfappliance.com

El módulo de control se puede colocar horizontal o verticalmente a una distancia máxima de 3 m del conjunto de la campana extractora de encimera y a una distancia mínima de 76 mm del borde del corte de la placa. Consulte la página 25 para obtener instrucciones sobre cómo instalar el módulo de control.

NOTA IMPORTANTE: La campana extractora de encimera debe utilizarse con un módulo y una cubierta superior aprobados por Wolf.

CORTE DE LA **ENCIMERA**

- Marque y corte el hueco de la placa dejando el suficiente espacio en la parte trasera para que encaje la campana extractora de encimera.
- Coloque la placa en su lugar y sepárela lo máximo posible de la parte trasera. Centre y cuadre la placa con los bordes de la encimera.
- Coloque la plantilla de plástico que se incluye con la campana extractora de encimera en el borde trasero de la placa y céntrala. Trace una línea alrededor de la plantilla para marcar la cavidad de la campana extractora de encimera.
- Saque la placa de la encimera.
- Corte el hueco de la campana extractora de encimera. Tenga cuidado de no romper los bordes de la encimera.



INSTALACIÓN DE LA CAMPANA EXTRACTORA DE ENCIMERA

- Coloque la campana extractora de encimera en la cavidad correspondiente. Extienda los soportes de nivelación en el suelo del armario para que la campana extractora quede bien nivelada. **NOTA:** Los soportes de nivelación se pueden quitar y colocar de nuevo en otras posiciones. Es posible que el borde del soporte de nivelación deba mirar hacia dentro en instalaciones con armarios ajustados. Observe la siguiente ilustración.
- Fije la campana extractora a la encimera sujetando la campana extractora a la parte trasera del corte de la encimera y apriete los dos tornillos de montaje (uno en cada extremo de la unidad) en la parte inferior de la encimera.
- Atornille los soportes de montaje en la parte inferior del armario. Apriete los tornillos que sujetan los soportes de nivelación a la unidad en cada lado.

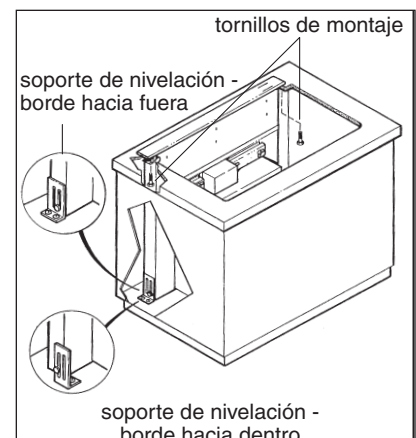
MÓDULO DE CONTROL**⚠ ADVERTENCIA**

Para reducir el riesgo de que alguna prenda se pueda quemar o arder al tocar los quemadores, el módulo de control debe instalarse a una distancia mínima de 76 mm del borde del corte de la placa.

El control remoto y la cubierta superior se incluyen con la campana extractora de encimera. También se incluyen los soportes de montaje, el conector RJ45 y las piezas de montaje.

El módulo de control se puede colocar en cualquier lugar a una distancia máxima de 3 m del cable eléctrico y a una distancia mínima de 76 mm del borde del corte de la placa. Las medidas del módulo de control remoto son 60 mm x 168 mm y se puede colocar horizontal y verticalmente en en la encimera.

NOTA IMPORTANTE: No coloque el módulo en un lugar en el que pueda molestarle a la hora de cocinar ni en lugares en los que vaya a colocar recipientes calientes o en los que líquidos calientes puedan salpicar los mandos.



Soportes de montaje de la campana extractora

**MÓDULO DE CONTROL**

Es necesario que taladre tres agujeros y conecte la campana extractora de encimera al módulo de control utilizando el cable que se proporciona. En la parte trasera del módulo de control debe hacer un agujero de 25 mm de diámetro que quede centrado horizontal y verticalmente para el conector RJ45. Debe hacer dos agujeros, uno a cada lado, de 6 mm de diámetro para los tornillos de montaje que deben estar situados a 51 mm del centro del agujero del conector RJ45.

INSTALACIÓN DEL MÓDULO DE CONTROL

- Marque el centro del módulo de control en la encimera. Mida 51 mm hacia arriba (o a la izquierda) y 51 mm hacia abajo (o hacia la derecha) para situar los agujeros para los tornillos de montaje.
- Con cuidado, taladre los tres agujeros en la encimera. Tenga cuidado de no dañar o romper la superficie de la encimera mientras está taladrando.
- Compruebe el grosor de la encimera. Coloque el módulo de control en su lugar y asegúrese de que los montantes roscados son lo suficientemente largos para que las tuercas mariposa de nylon enganchen de manera correcta. Las encimeras con mayor grosor requieren que los agujeros estén perforados parcialmente en la encimera desde la parte inferior.
- Aplique una capa de masilla alrededor de la parte inferior del módulo de control para evitar que los líquidos entren en contacto con las conexiones eléctricas o goteen en la encimera a través de los agujeros. Coloque el módulo de control.
- Por debajo de la encimera, enrosque las dos tuercas mariposa de nylon en los montantes del módulo de control y apriételes con la mano solamente.

CONEXIÓN DEL MÓDULO DE CONTROL

- Conecte el cable del conector RJ45 en el lado trasero del módulo del control remoto.
- Conecte el otro extremo del cable a la conexión eléctrica situada en el lado derecho de la campana extractora de encimera. Asegúrese de que todas las conexiones están apretadas de manera correcta.
- Consulte la ilustración colocada en la parte delantera de la campana extractora de encimera para ver la orientación correcta del conector RJ45 para realizar la instalación de la campana extractora de encimera.

MODELOS DE **VENTILADOR**

Los modelos ICBDD30I, ICBDD36I e ICBDD45I de la campana extractora de encimera incluyen un ventilador interno de 850 m³/hr. Los modelos ICBDD30R, ICBDD36R e ICBDD45R se envían sin ventilador y se pueden utilizar con un ventilador remoto de 1.529 m³/hr (812307) disponible a través de su distribuidor de Wolf.

NOTA IMPORTANTE: Los modelos de ventilador varían dependiendo de la superficie de cocción. Si desea obtener las recomendaciones sobre el ventilador, consulte la Guía de diseño de Wolf en la página web de Wolf, wolfappliance.com

NOTA IMPORTANTE: Solamente debe instalar esta campana extractora de encimera con un ventilador de Wolf.

El tamaño del ventilador puede variar dependiendo de la superficie de cocción, del volumen del aire que se extrae y de la longitud del tubo. Un tubo corto y recto con un número limitado de codos y transiciones permitirá que la campana extractora de encimera extraiga los gases de manera más eficaz.

Un ventilador remoto minimiza la cantidad de ruido de la campana aunque no elimina el ruido completamente.

ASPECTOS A TENER EN CUENTA SOBRE LA **CONDUCCIÓN DEL TUBO**

NOTA IMPORTANTE: Póngase en contacto con un ingeniero de calefacción, ventilación y aire acondicionado para obtener información específica sobre canalización del tubo.

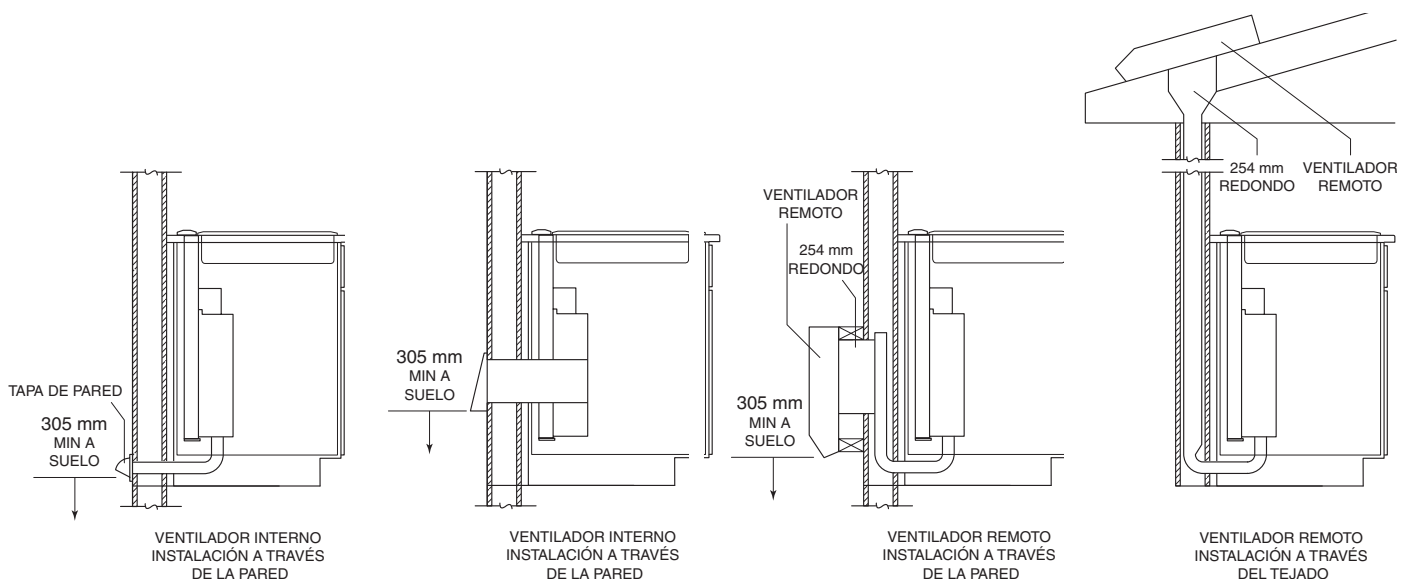
Los modelos de campana extractora de encimera de Wolf con ventilador interno están diseñados para que se utilicen con tubos de 83 mm x 254 mm y los modelos con ventilador remoto con tubos de 83 mm x 356 mm. Cada uno de estos modelos se puede adaptar a un tubo redondo de 203 mm ó 254 mm.

Para que el rendimiento resulte más eficaz, se recomienda utilizar un tubo redondo de 254 mm. La campana extractora de encimera funcionará mejor si el tubo no supera los 12 m de largo.

Seleccione la opción de conducción en la que utilice el tubo más corto y el número mínimo de codos y transiciones. Compruebe la ubicación de las vigas de soporte, los montantes en pared, las conexiones eléctricas o de fontanería para evitar que se produzcan posibles interferencias con el tubo. Consulte las siguientes ilustraciones para ver las distintas opciones de conducción del tubo.

ACCESORIOS

Podrá disponer de accesorios opcionales a través de su distribuidor de Wolf. Para obtener la información del distribuidor más cercano, visite nuestra página Web wolf-appliance.com



Opciones de conducción del tubo de la campana

INSTALACIÓN DEL **TUBO****⚠ ADVERTENCIA**

Para reducir el riesgo de que se produzca un incendio, utilice solamente tubos metálicos.

NOTA IMPORTANTE: Todas las campanas extractoras de encimera de Wolf deben tener salida hacia el exterior.

NOTA IMPORTANTE: Antes de cortar el agujero para el tubo en el armario, compruebe si existe alguna interferencia con las vigas de soporte, los montantes en pared y la instalación eléctrica y de fontanería.

- Corte el agujero en el armario y los agujeros en la pared o en el suelo según sea necesario para colocar el tubo.
- Instale la tapa del tejado o pared y, a continuación, en el armario, una todos los tubos, codos y transiciones tal y como había planificado. Selle todas las conexiones del tubo para que queden seguras e impermeables al aire.
- Conecte el tubo y la transición (si es necesaria) a la campana extractora de encimera. Si es necesario, afloje las tuercas y tornillos que sujetan el ventilador y deslice el ventilador hacia la izquierda o hacia la derecha para alinearlos con el tubo. Apriete de nuevo los tornillos y las tuercas.

NOTA IMPORTANTE: Para instalaciones en las que el tubo está unido a la unidad, se proporciona un anillo de 83 mm x 254 mm para los modelos con ventilador interno y un anillo de 83 mm x 356 mm para los modelos con ventilador remoto. Esto permitirá que el ventilador se extraiga y se vuelva a colocar en su lugar de manera sencilla para realizar cualquier tarea de mantenimiento sin que sea necesario tocar el tubo.

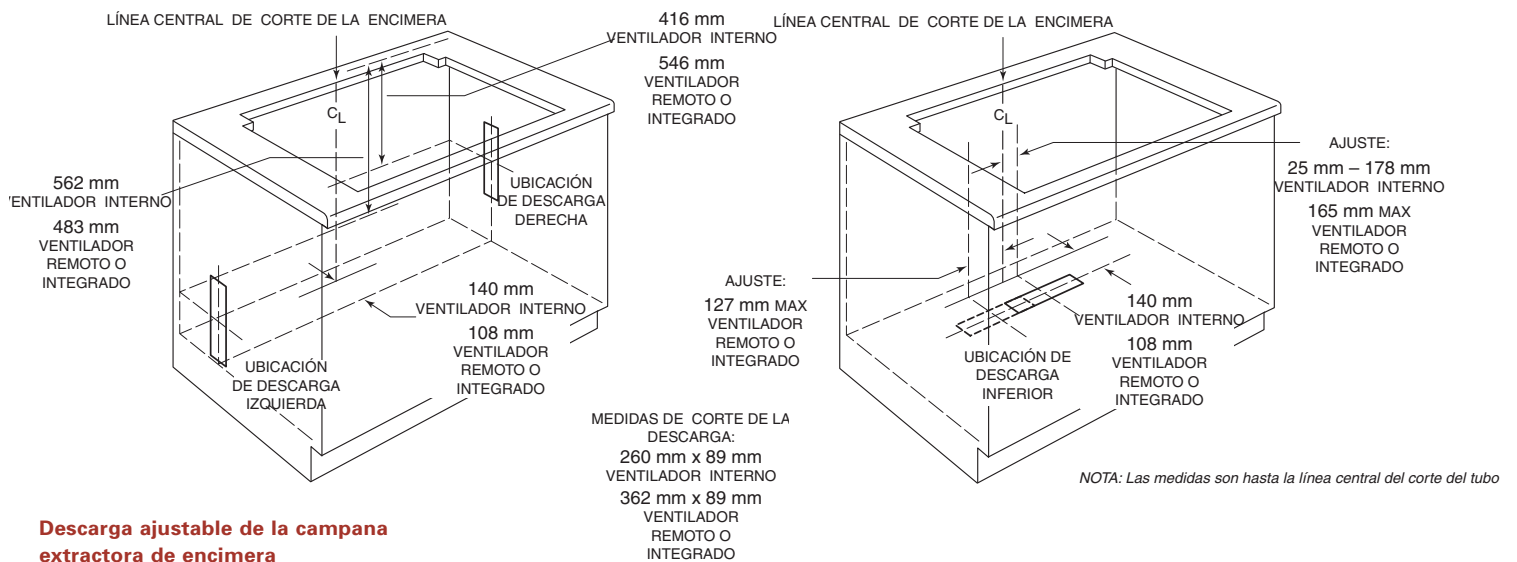
NOTA IMPORTANTE: Utilice cinta adhesiva para sellar la conexión entre la salida del ventilador y el tubo. Apoye el peso del tubo según sea necesario para asegurarse de que las juntas están selladas.



DESCARGA **AJUSTABLE**

Las campanas extractoras de encimera tienen una descarga ajustable que le permite pasar cuidadosamente el tubo alrededor de las vigas de soporte y otros obstáculos.

Tiene disponibles tres ubicaciones de descarga con ajuste de lado a lado para que la alineación del tubo resulte correcta. El ventilador se envía con la descarga colocada hacia abajo. Consulte la siguiente ilustración para comprobar la ubicación de la descarga y el ajuste que mejor se adapte a su instalación.



Descarga ajustable de la campana extractora de encimera



AJUSTAR DESCARGA DEL VENTILADOR

DESCARGA INFERIOR DE IZQUIERDA A DERECHA

Si ajusta la descarga inferior de izquierda a derecha mantendrá la descarga del ventilador hacia abajo y podrá realizar ajustes de lado a lado.

Realice estos pasos si necesita mover la posición de la descarga del ventilador de izquierda a derecha para que el tubo no interfiera con las vigas de soporte ni con las conexiones eléctricas y de fontanería debajo de la unidad. Observe la siguiente ilustración.

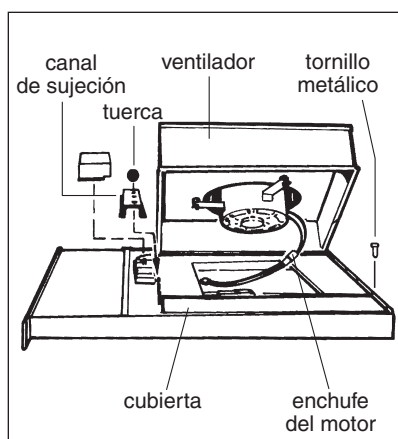
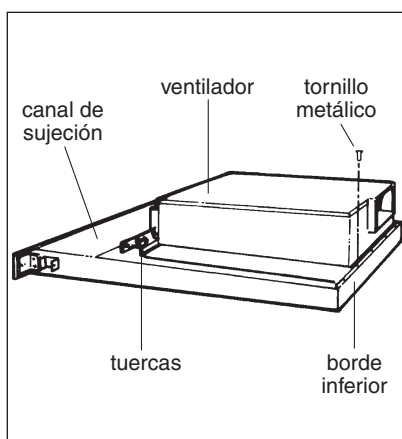
- Coloque la campana extractora de encimera boca arriba en una superficie plana.
- Afloje las 4 tuercas y los 2 canales de sujeción.
- Deslice el ventilador hasta la posición que desee.
- Utilice la cubierta que se proporciona para cerrar cualquier espacio abierto.
- Apriete las tuercas para sujetar la parte superior del ventilador y utilice tornillos metálicos en el borde inferior para sujetar la parte inferior del ventilador.

DESCARGA INFERIOR A IZQUIERDA O DERECHA

Si cambia la posición de la descarga de inferior a izquierda o derecha cambiará la descarga del ventilador de la posición inferior a la posición izquierda o derecha de la campana extractora de encimera.

Realice estos pasos si necesita girar el ventilador hasta la ubicación de la descarga izquierda o derecha. Observe la siguiente ilustración.

- Coloque la campana extractora de encimera boca abajo en una superficie plana.
- Extraiga las 4 tuercas y los 2 canales de sujeción.
- Extraiga la cubierta del motor trasero.
- Con cuidado, levante el ventilador y desconecte el enchufe del motor si es necesario. Coloque de nuevo el ventilador y vuelva a conectar el enchufe.
- Utilice la cubierta que se proporciona para cerrar cualquier espacio abierto.
- Cambie los canales de sujeción y utilice las tuercas para sujetar y colocar el ventilador en su nueva posición.
- Vuelva a instalar la cubierta del motor trasero.
- Pase los tornillos de metal (no se proporcionan con la unidad) por el borde inferior para sujetar la parte inferior del ventilador.



Ajuste de la descarga inferior del ventilador Descarga izquierda o derecha del ventilador

CONEXIÓN ELÉCTRICA DEL
VENTILADOR INTERNO

ICBDD30I, ICBDD36I E ICBDD45I

- Instale una caja de conexiones de 220-240 V CA con una toma de tres clavijas con conexión a tierra dentro del armario o en el armario contiguo. Asegúrese de que coloca la caja de conexiones a una distancia máxima de 2,5 m del cable de alimentación de la campana extractora.
- Pase el cable eléctrico por el armario y conéctelo a la caja de conexiones y a la toma.
- Enchufe el cable de la campana extractora de encimera en la toma.

CONEXIÓN ELÉCTRICA DEL
VENTILADOR REMOTO

ICBDD30R, ICBDD36R E ICBDD45R

- Instale una caja de conexiones de 220-240 V CA con una toma de tres clavijas con conexión a tierra dentro del armario o en el armario contiguo. Asegúrese de que coloca la caja de conexiones a una distancia máxima de 2,5 m del cable de alimentación de la campana extractora.
- Pase el cable eléctrico por el armario y conéctelo a la caja de conexiones y a la toma.
- Es posible que el ventilador remoto no supere una potencia de 3 amperios.
- Pase el cable de alimentación de conexión a tierra de 2 clavijas desde el ventilador remoto hasta la caja de conexiones de la placa del adaptador del ventilador remoto.
- Conecte el cableado de la campana extractora al cable de alimentación del ventilador remoto. Cable marrón a marrón, azul a azul y verde/amarillo a verde/amarillo. Observe la siguiente ilustración.
- Vuelva a colocar la cubierta de la caja de conexiones.
- Enchufe el cable de la campana extractora de encimera en la toma.

NOTA IMPORTANTE: Para realizar el montaje y la instalación del ventilador remoto, consulte las instrucciones de instalación de su modelo de ventilador.



SOLUCIÓN DE **PROBLEMAS**

NOTA IMPORTANTE: Si la campana extractora de encimera no funciona correctamente, siga estos pasos de localización y solución de problemas:

- Compruebe que la campana extractora de encimera está conectada a la red eléctrica.
- Compruebe las conexiones eléctricas para asegurarse de que la instalación se ha llevado a cabo de manera correcta.
- Consulte la Guía de localización y solución de problemas en la guía de uso y mantenimiento de la campana extractora de encimera.
- Si la campana extractora sigue sin funcionar, póngase en contacto con el centro de asistencia técnica de Wolf. No intente realizar usted mismo ninguna reparación en la campana extractora. Wolf no se hace responsable de las tareas de mantenimiento que deban realizarse para corregir una instalación defectuosa.

SI NECESITA **ASISTENCIA TÉCNICA**

- Conserve la calidad de la campana extractora de encimera llamando a un centro de mantenimiento autorizado de Wolf.
- Para buscar el servicio técnico más cercano, póngase en contacto con su distribuidor de Wolf o visite la página Web, **wolfappliance.com**, para buscar el distribuidor más cercano.
- Le recomendamos que anote la referencia del modelo y el número de serie de la unidad cuando llame para solicitar asistencia técnica. Esta información se encuentra en la placa de datos del producto que está situada en la caja de aire de la parte delantera de la unidad. Consulte la ilustración de la página 19.

INFORMACIÓN
DE CONTACTO

Página Web:
wolfappliance.com

La información y las imágenes que se incluyen en esta guía son propiedad de Wolf Appliance, Inc., una filial de Sub-Zero, Inc. Este documento junto con la información y las imágenes que en él se incluyen no pueden copiarse ni utilizarse, total ni parcialmente, sin el consentimiento por escrito de Wolf Appliance, Inc., una filial de Sub-Zero, Inc.

©Wolf Appliance, Inc. se reserva todos los derechos.



WOLF[®]

CONTACT

Site Internet :
wolfappliance.com

Vous remarquerez tout au long de ce manuel d'instructions les mentions **AVERTISSEMENT** et **MISE EN GARDE** destinées à fournir des recommandations importantes afin d'assurer la sécurité et l'efficacité de l'installation de l'équipement Wolf. Deux types de dangers potentiels peuvent se présenter pendant l'installation.

▲ MISE EN GARDE

signale un danger qui pourrait causer une blessure mineure ou endommager le produit si vous ne suivez pas les instructions.

▲ AVERTISSEMENT

signale un danger qui pourrait causer des blessures graves voire fatales si vous ne prenez pas certaines précautions.

De plus, la mention **REMARQUE IMPORTANTE** met l'accent sur un renseignement particulièrement important pour assurer une installation parfaite.



EXIGENCES RELATIVES A L'INSTALLATION

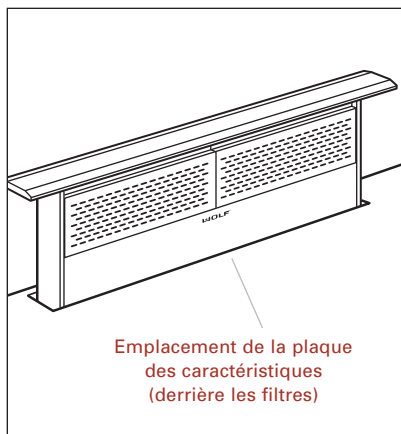
REMARQUE IMPORTANTE : L'installation doit être effectuée par un poseur qualifié ou par un technicien d'une antenne technique agréée Wolf.

- **Poseur** : Veuillez lire les instructions d'installation dans leur intégralité avant de procéder à l'installation. Veuillez conserver ces instructions afin que le technicien local puisse s'y reporter, puis laissez-les au propriétaire.
- **Propriétaire** : Veuillez lire et garder ces instructions pour pouvoir vous y reporter ultérieurement et assurez-vous de lire le Guide d'utilisation et d'entretien dans son intégralité avant d'utiliser votre appareil.

En cas de questions ou de problèmes d'installation éventuels, adressez-vous à votre revendeur ou consultez notre site Internet, wolfappliance.com.

REMARQUE IMPORTANTE : Cet appareil ménager doit être installé conformément au Code national de l'électricité et à tous les codes municipaux et locaux. La tension, la fréquence et l'ampérage appropriés doivent être fournis à cet appareil à partir d'un circuit spécial, mis à la terre et protégé par un disjoncteur ou un fusible à fusion temporisée adapté à l'intensité de courant requise. La tension, la fréquence et l'ampérage requis sont indiqués sur la plaque des caractéristiques du produit.

Consignez les numéros de modèle et de série avant d'installer le système de ventilation escamotable. Ces deux numéros figurent sur la plaque des caractéristiques du produit située au-dessus du caisson de ventilation, sur l'avant de l'appareil. Reportez-vous à la figure ci-après.



Emplacement de la plaque des caractéristiques

AVANT DE COMMENCER

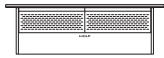
- C'est au poseur qu'incombe la responsabilité de l'installation.
- Vérifiez auprès des fournisseurs de services d'électricité locaux les codes électriques qui s'appliquent dans votre secteur. Ces codes locaux varient. L'installation, les raccordements électriques et la mise à la terre doivent se conformer aux codes applicables.
- Cet appareil doit être correctement mis à la terre. Reportez-vous à la rubrique Configuration électrique, page 35.
- Assurez-vous de disposer de tous les outils et matériaux nécessaires à une installation adéquate.
- Tout dépannage effectué au titre de la garantie doit être réalisé par une antenne technique agréée Wolf. Wolf ne peut être tenue responsable des dépannages requis en raison d'une mauvaise installation.

INFORMATIONS FIGURANT SUR LA PLAQUE DES CARACTERISTIQUES

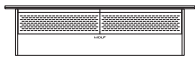
Numéro de modèle

Numéro de série

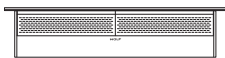
SYSTEMES DE VENTILATION
ESCAMOTABLES



Modèle ICBDD30



Modèle ICBDD36



Modèle ICBDD45

REMARQUE IMPORTANTE : L'utilisation des systèmes de ventilation escamotables Wolf est recommandée avec les plaques de cuisson induction ou électriques, au gaz et multifonctions avec cadre. Ces appareils ne sont pas compatibles avec les plaques de cuisson induction et électriques affleurantes et leur utilisation n'est pas recommandée avec les dominos grill électrique, cuit vapeur et friteuse. Une hotte de ventilation Pro est recommandée avec les cuisinières mixtes, les cuisinières et les entablements au gaz Wolf.

REMARQUE IMPORTANTE : Il est possible d'utiliser un système de ventilation escamotable avec les modèles d'entablement à brûleurs étanches ICBSRT304 et ICBSRT366. Toutefois, un kit de moulure (810215) disponible en tant qu'accessoire de vente est nécessaire pour ce type d'installation. Pour de plus amples renseignements, adressez-vous à votre revendeur Wolf.

Les systèmes de ventilation escamotables Wolf sont offerts dans des largeurs de 762 mm, 914 mm et 1 156 mm. Le système de ventilation escamotable devrait être au moins aussi large que la plaque de cuisson.

Les modèles ICBDD30I, ICBDD36I et ICBDD45I comprennent un moteur intégré de 850 m³/h. Les modèles ICBDD30R, ICBDD36R et ICBDD45R sont fournis sans moteur intégré. Ils peuvent être utilisés avec un moteur déporté de 1 529 m³/h (812307) que vous pouvez vous procurer auprès de votre revendeur Wolf.

DIMENSIONS **HORS TOUT**

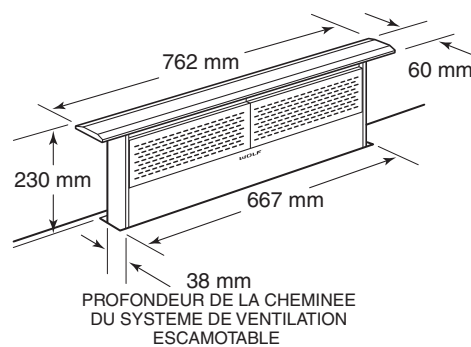
MODELES ICBDD30I ET ICBDD30R

Largeur hors tout	762 mm
Largeur de la cheminée	667 mm
Hauteur hors tout (au-dessus du plan de travail)	230 mm
Profondeur hors tout	60 mm
Profondeur de la cheminée	38 mm

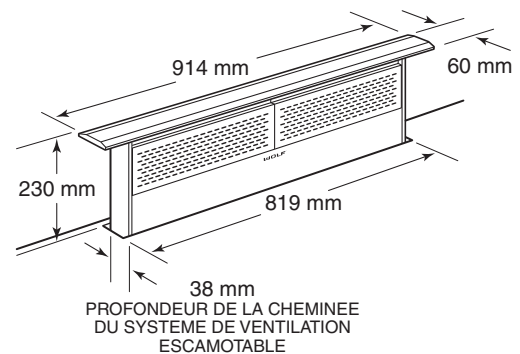
MODELES ICBDD36I ET ICBDD36R

Largeur hors tout	914 mm
Largeur de la cheminée	819 mm
Hauteur hors tout (au-dessus du plan de travail)	230 mm
Profondeur hors tout	60 mm
Profondeur de la cheminée	38 mm

Les dimensions peuvent varier de ± 3 mm.



Modèles ICBDD30I et ICBDD30R



Modèles ICBDD36I et ICBDD36R



DIMENSIONS **HORS TOUT**

MODELES ICBDD45I ET ICBDD45R

Largeur hors tout	1 156 mm
Largeur de la cheminée	1 048 mm
Hauteur hors tout (au-dessus du plan de travail)	230 mm
Profondeur hors tout	60 mm
Profondeur de la cheminée	38 mm

Les dimensions peuvent varier de ± 3 mm.

CONFIGURATION **ELECTRIQUE**

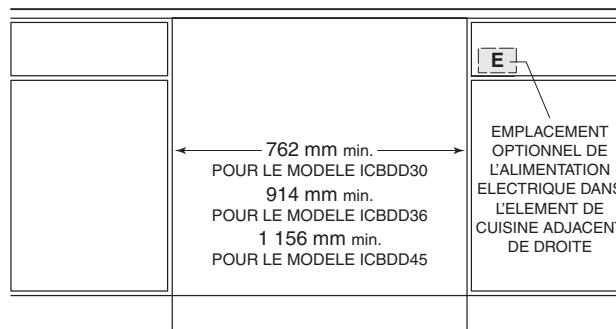
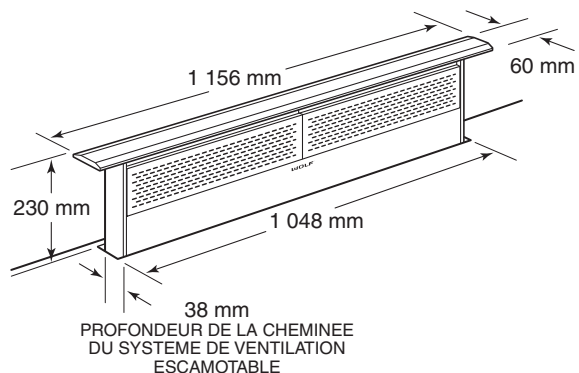
Les systèmes de ventilation escamotables Wolf requièrent une alimentation électrique distincte et mise à la terre de 240 V et de 50/60 Hz. Le service public devrait avoir son propre disjoncteur de 10 A. Cet appareil est fourni avec un cordon d'alimentation «Schuko» CEE 7/7 de 2,5 m aux normes du continent européen. L'emplacement précis de la prise n'est pas crucial ; il suffit qu'elle soit à portée du cordon d'alimentation situé à mi-hauteur, sur le côté droit du système de ventilation escamotable.

REMARQUE **IMPORTANTE**

Vous devez observer les règlements du Code national de l'électricité. De plus, renseignez-vous sur les ordonnances et les codes locaux lorsque vous installez votre alimentation électrique.

REMARQUE IMPORTANTE : Si le modèle ICBDD30 doit être installé dans un élément de cuisine de 762 mm de large, le modèle ICBDD36 dans un élément de cuisine de 914 mm de large ou le modèle ICBDD45 dans un élément de cuisine de 1 156 mm de large, la prise ne peut pas se trouver sur le mur à l'arrière de l'élément. Elle peut être placée dans un élément de cuisine adjacent, à portée du cordon d'alimentation. Vous devrez percer un orifice d'accès dans la paroi de l'élément de cuisine afin de faire passer le cordon d'alimentation.

Choisissez l'emplacement le mieux adapté à votre installation dans la figure ci-après.



Modèles ICBDD45I et ICBDD45R

Emplacement de l'alimentation électrique

SPECIFICATIONS **D'INSTALLATION**

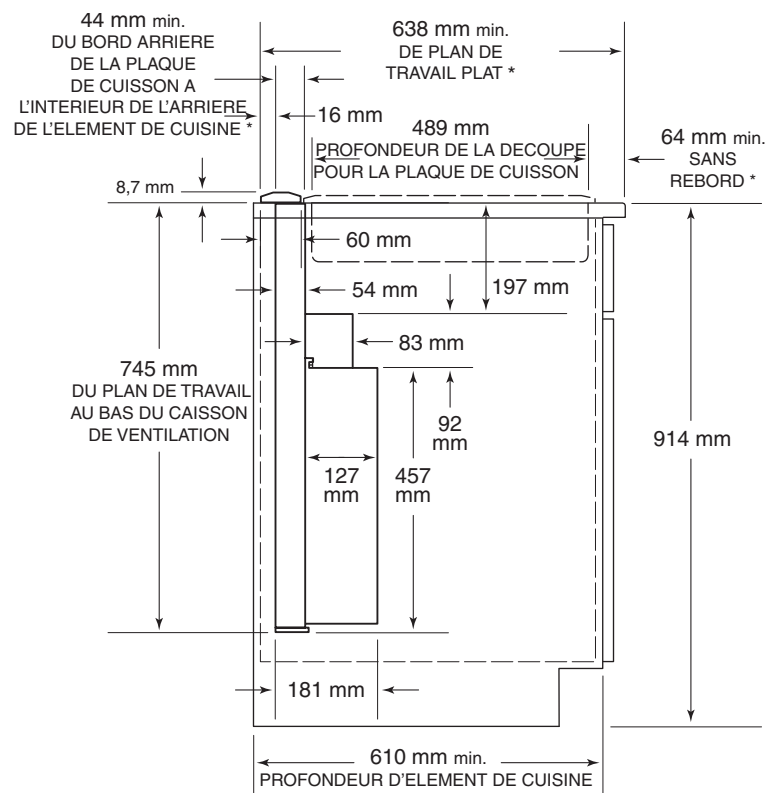
Les modèles ICBDD30, ICBDD36 et ICBDD45 de système de ventilation escamotable s'adaptent respectivement à la plupart des éléments de cuisine de 762 mm, 914 mm et 1 156 mm de largeur. Il est recommandé d'utiliser des éléments de cuisine surdimensionnés pour faciliter l'installation. Vous devrez peut-être supprimer la face arrière des éléments de cuisine.

Les systèmes de ventilation escamotables Wolf peuvent être montés en îlot, en péninsule ou tout simplement au mur.

La figure ci-après fournit les dimensions d'installation de tous les modèles de système de ventilation escamotable Wolf. Vous devez porter une attention particulière aux zones de possible interférence, tel qu'indiqué dans la figure ci-après.

REMARQUE IMPORTANTE : Pour installer un système de ventilation escamotable et une plaque de cuisson Wolf, vous devez prévoir un espace plat de 638 mm minimum de l'avant à l'arrière du plan de travail. Un plan de travail avec rebord ou un dosseret anti-éclaboussures de plan de travail pourraient gêner l'installation. Un espace plat de 60 mm est requis derrière la plaque de cuisson et un autre espace de 44 mm est nécessaire entre le bord arrière de la plaque de cuisson et l'intérieur de l'arrière de l'élément de cuisine.

Si vous combinez un système de ventilation escamotable ICBDD30 à deux plaques de cuisson ou à deux dominos intégrés, la hotte escamotable requiert l'installation d'un support de domino intégré (8603386). Toutefois, le modèle ICBDD45 ne requiert pas de support de domino intégré.



* ZONES DE POSSIBLE INTERFERENCE

Dimensions d'installation du système de ventilation escamotable

**SPECIFICATIONS D'INSTALLATION**

Si vous installez un système de ventilation escamotable avec une plaque de cuisson, reportez-vous aux instructions d'installation de la plaque de cuisson afin de consulter les dimensions requises pour la plaque de cuisson, la découpe dans le plan de travail et l'élément de cuisine. La profondeur de la plaque de cuisson peut varier et influencer sur l'emplacement du système de ventilation escamotable par rapport au plan de travail.

La figure ci-après fournit les dimensions de la découpe qui sera réalisée dans le plan de travail pour les modèles de système de ventilation escamotable ICBDD30, ICBDD36 et ICBDD45 installés avec une plaque de cuisson Wolf de 762 mm ou de 914 mm ou avec une combinaison de plaques de cuisson et/ou de dominos.

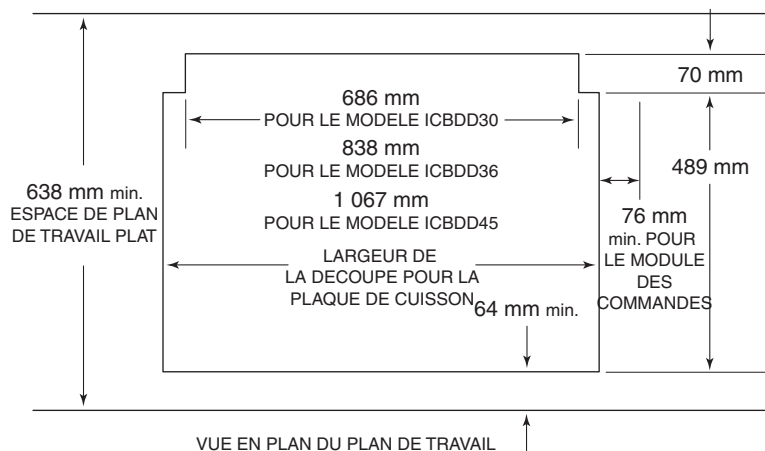
REMARQUE IMPORTANTE : Si vous installez un système de ventilation escamotable avec les modèles d'entablement à brûleurs étanches ICBRT304 et ICBRT366, vous devez utiliser un kit de moulure (810215) disponible en tant qu'accessoire de vente. Pour de plus amples renseignements, adressez-vous à votre revendeur Wolf. Pour obtenir les coordonnées de votre revendeur local, consultez notre site Internet, wolfappliance.com.

Le module des commandes peut être placé à l'horizontale ou à la verticale, n'importe où à moins de 3 m du système de ventilation escamotable et à 76 mm au minimum du bord de la découpe de la plaque de cuisson. Reportez-vous à la page 39 pour consulter les instructions d'installation de la commande.

REMARQUE IMPORTANTE : Le système de ventilation escamotable doit être utilisé avec un module des commandes et un top en acier inoxydable approuvés Wolf.

DECOUPE DU PLAN DE TRAVAIL

- Tracez la découpe de la plaque de cuisson et découpez le plan de travail suffisamment vers l'avant pour pouvoir placer le système de ventilation escamotable derrière la plaque.
- Mettez la plaque de cuisson en place et faites-la glisser aussi loin que possible vers l'avant. Centrez la plaque de cuisson et placez-la perpendiculairement aux bords du plan de travail.
- Centrez le gabarit en plastique fourni avec le système de ventilation escamotable contre le rebord arrière de la plaque de cuisson. Tracez le pourtour du gabarit pour marquer l'ouverture du système de ventilation escamotable.
- Retirez la plaque de cuisson du plan de travail.
- Découpez l'ouverture pour le système de ventilation escamotable. Veillez à ne pas fissurer les bords du plan de travail.

**Dimensions de la découpe dans le plan de travail**

INSTALLATION DU SYSTEME DE VENTILATION **ESCAMOTABLE**

- Placez le système de ventilation escamotable dans l'ouverture. Tirez les supports de mise à niveau du système de ventilation escamotable jusqu'à la base de l'élément de cuisine de sorte que l'appareil repose à la verticale.
REMARQUE : Les supports de mise à niveau peuvent être retirés et fixés de nouveau dans d'autres positions. Dans les éléments de cuisine étroits, le rebord du support de mise à niveau devra peut-être être orienté vers l'intérieur. Reportez-vous à la figure ci-après.
- Fixez le système de ventilation escamotable au plan de travail en le maintenant contre l'arrière de la découpe et en vissant les deux vis de montage (une à chaque extrémité de l'appareil) sur le dessous du plan de travail.
- Vissez les supports de mise à niveau à la base de l'élément de cuisine. Serrez les vis en maintenant les supports de mise à niveau à chaque côté de l'appareil.

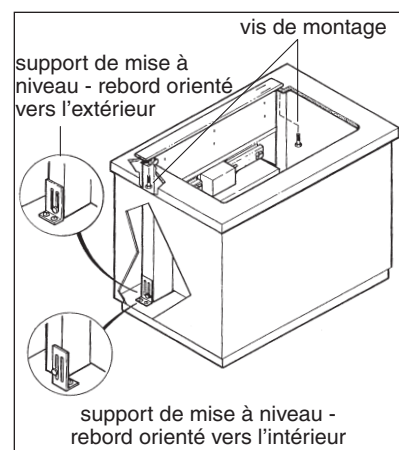
MODULE DES **COMMANDES****⚠ AVERTISSEMENT**

Afin de ne pas vous brûler ou d'enflammer vos vêtements lorsque vous tendez votre bras au-dessus des brûleurs, la commande doit être montée à 76 mm au moins du bord de la découpe de la plaque de cuisson.

Le module des commandes monté à distance et le top en acier inoxydable sont inclus avec le système de ventilation escamotable. Les supports de montage, le connecteur RJ45 et les pièces de fixation sont également inclus.

Le module des commandes peut être placé n'importe où à portée du câble d'alimentation de 3 m et à 76 mm au minimum du bord de la découpe de la plaque de cuisson. Le module des commandes monté à distance mesure 60 mm x 168 mm et peut être placé à l'horizontale ou à la verticale dans le plan de travail.

REMARQUE IMPORTANTE : Le module des commandes ne doit pas vous gêner lorsque vous cuisinez ni être placé à proximité de contenants très chauds ou à un endroit qui pourrait l'exposer à des déversements.



Supports de montage du système de ventilation escamotable

**MODULE DES COMMANDES**

Vous devrez percer trois trous et raccorder le module des commandes au système de ventilation escamotable à l'aide du câble fourni. Un orifice de 25 mm de diamètre centré horizontalement et verticalement dans la face arrière du module des commandes sera prévu pour le connecteur RJ45. Deux trous de 6 mm de diamètre destinés aux vis de montage seront percés à 51 mm du centre de cet orifice, de chaque côté.

INSTALLATION DU MODULE DES COMMANDES

- Marquez le centre du module des commandes sur le plan de travail. Marquez l'emplacement des trous des vis de montage à 51 mm au-dessus (ou à gauche) et à 51 mm au-dessous (ou à droite).
- Percez avec précaution les trois trous dans le plan de travail. Veillez à ne pas endommager ou ébrécher la surface du plan de travail en perçant.
- Vérifiez l'épaisseur du plan de travail. Mettez le module des commandes en place et assurez-vous que les goujons filetés sont assez longs pour permettre aux écrous à ailettes en nylon de s'engager complètement. Dans les plans de travail plus épais, les trous devront peut-être être partiellement fraisés de par en dessous.
- Appliquez un cordon de silicone tout autour du dessous du module des commandes pour empêcher les liquides d'atteindre le branchement électrique ou de s'écouler par les trous de plan de travail. Positionnez le module des commandes.
- D'en dessous le plan de travail, enfiler les deux écrous à ailettes en nylon sur les goujons du module des commandes et serrez à la main uniquement.

RACCORDEMENT DU MODULE DES COMMANDES

- Branchez le câble du connecteur RJ45 à la face arrière du module des commandes monté à distance.
- Branchez l'autre extrémité du câble au raccordement électrique situé sur le côté droit du système de ventilation escamotable. Assurez-vous que tous les branchements sont bien serrés.
- Reportez-vous à la figure placée sur la face avant du module des commandes pour modifier l'orientation du connecteur RJ45 pendant l'installation du système de ventilation escamotable.

OPTIONS **RELATIVES AUX MOTEURS**REMARQUES **SUR LES GAINES**

ACCESSOIRES

Vous pouvez vous procurer les accessoires optionnels auprès de votre revendeur Wolf. Pour obtenir les coordonnées de votre revendeur local, consultez notre site Internet, wolfappliance.com.

Les modèles de système de ventilation escamotable Wolf ICBDD30I, ICBDD36I et ICBDD45I comprennent un moteur intégré de 850 m³/h. Les modèles ICBDD30R, ICBDD36R et ICBDD45R sont fournis sans moteur intégré. Ils peuvent être utilisés avec un moteur déporté de 1 529 m³/h (812307) que vous pouvez vous procurer auprès de votre revendeur Wolf.

REMARQUE IMPORTANTE : Le choix du moteur varie avec la surface de cuisson. Pour consulter les recommandations, reportez-vous au Guide de design Wolf figurant sur le site Internet, wolfappliance.com.

REMARQUE IMPORTANTE : Installez ce système de ventilation escamotable avec un moteur Wolf uniquement.

La puissance du moteur dépend de la surface de cuisson, du volume d'air à évacuer et de la longueur du tracé des gaines. Un tracé de gaines droit et court, avec un nombre de coudes et de transitions limité, permettra au système de ventilation escamotable de fonctionner plus efficacement.

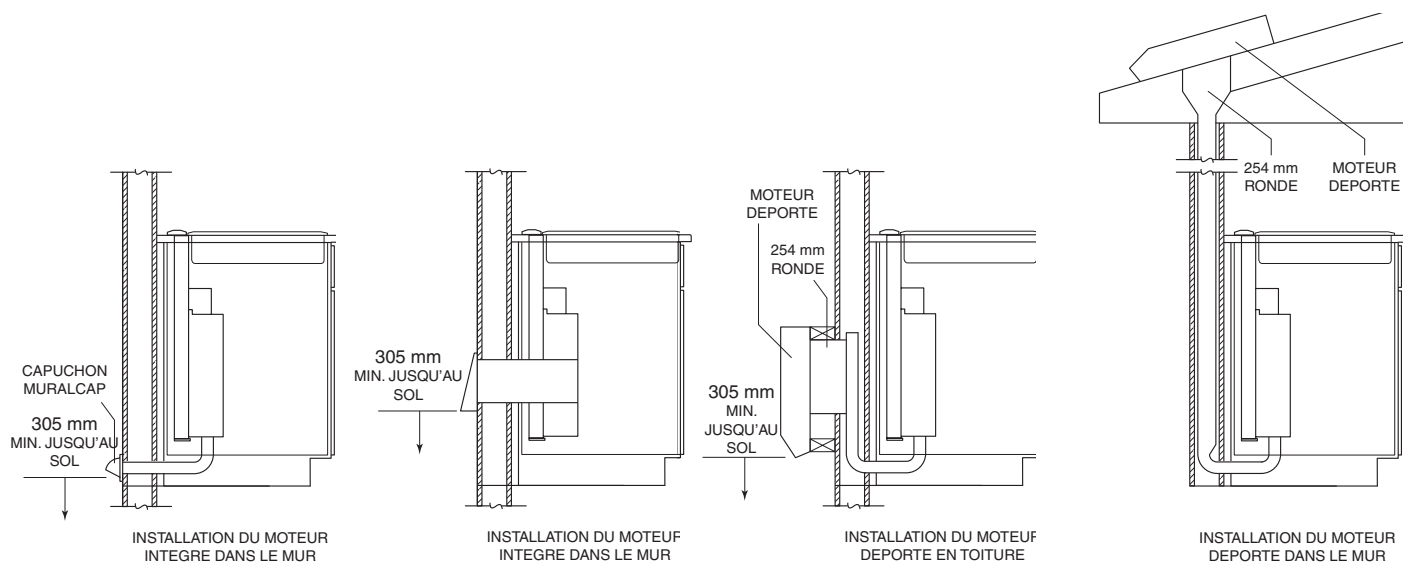
Avec un moteur déporté le bruit est minimisé, mais pas éliminé.

REMARQUE IMPORTANTE : Pour de plus amples renseignements sur l'installation spécifique et les gaines à utiliser, consultez un ingénieur CVC qualifié.

Les systèmes de ventilation escamotables Wolf pourvus d'un moteur intégré sont conçus pour être utilisés avec un réseau de gaines 83 mm x 254 mm tandis que les modèles à moteur déporté utilisent un réseau de gaines de 83 mm x 356 mm. Chaque modèle peut être transféré à un réseau de gaines rondes de 203 mm ou de 254 mm.

Pour un meilleur rendement, nous recommandons un réseau de gaines rondes de 254 mm. Le système de ventilation escamotable fonctionnera plus efficacement si la longueur du réseau de gaines ne dépasse pas 12 m.

Choisissez l'option de gaine assurant la longueur de tracé la plus courte et un nombre minimum de coudes et de transitions. Vérifiez l'emplacement des solives de plancher, des montants muraux, du câblage électrique ou de la tuyauterie pour vous assurer qu'ils ne se trouvent pas sur le passage des gaines. Pour consulter les options de gaines disponibles, reportez-vous à la figure ci-après.



Options de gaines disponibles pour les systèmes de ventilation escamotables

**INSTALLATION DU RESEAU DE GAINES****⚠ AVERTISSEMENT**

Pour minimiser le risque d'incendie, n'utilisez que des gaines métalliques.

REMARQUE IMPORTANTE : Les systèmes de ventilation escamotables Wolf doivent s'évacuer vers l'extérieur.

REMARQUE IMPORTANTE : Avant de découper dans l'élément de cuisine l'orifice destiné au réseau de gaines, vérifiez l'emplacement des solives de plancher, des montants muraux, du câblage électrique ou de la tuyauterie pour vous assurer qu'ils ne se trouvent pas sur le passage des gaines.

- Découpez l'orifice dans l'élément de cuisine et au besoin, dans le mur ou le sol pour acheminer le réseau de gaines.
- Commencez par le toit ou le capuchon mural en vous dirigeant vers l'élément de cuisine et fixez les gaines, les coudes et les transitions, tel que prévu. Entourez tous les raccords de gaines de ruban adhésif afin de les consolider et de les étanchéiser.
- Raccordez le réseau de gaines et les transitions (au besoin) au système de ventilation escamotable. Au besoin, desserrez les écrous et les vis qui maintiennent le moteur en place et faites glisser celui-ci vers la gauche ou vers la droite pour l'aligner sur les gaines. Serrez de nouveau les vis et les écrous.

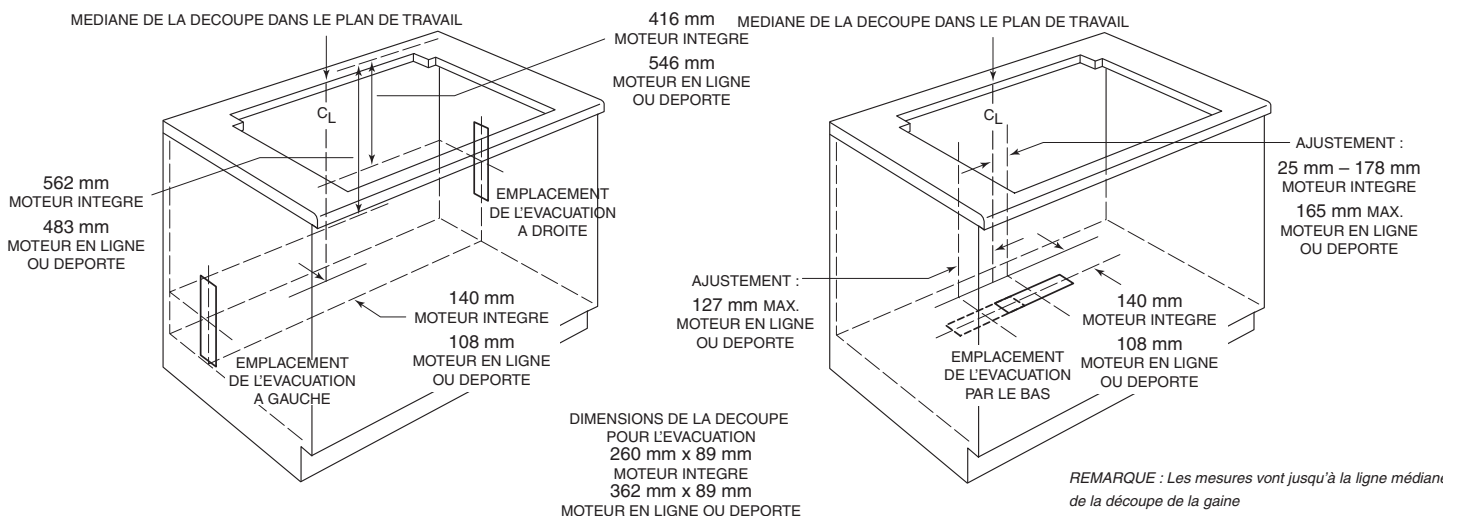
REMARQUE IMPORTANTE : Pour les installations qui nécessitent de riveter le réseau de gaines à l'appareil, Wolf fournit un collier de 83 mm x 254 mm destiné aux modèles pourvus d'un moteur intégré et un collier de 83 mm x 356 mm pour les modèles à moteur déporté. Le moteur peut ainsi être enlevé pour être réparé ou remplacé sans qu'il ne soit nécessaire de toucher au réseau de gaines.

REMARQUE IMPORTANTE : Utilisez du ruban adhésif pour conduits afin d'étanchéiser le raccord entre la sortie du moteur et le réseau de gaines. Au besoin, faites reposer le poids du réseau de gaines sur des supports afin de ne pas fragiliser les joints.

EVACUATION **AJUSTABLE**

Les systèmes de ventilation escamotables Wolf sont pourvus d'une évacuation ajustable qui vous permet de négocier le tracé des gaines autour des solives de plancher et autres obstacles.

Pour assurer un alignement précis du réseau de gaines, trois différents emplacements d'évacuation sont possibles avec l'ajustement côte à côte. Le moteur est expédié avec l'évacuation orientée vers le bas. Pour repérer l'emplacement de l'évacuation et déterminer l'ajustement le mieux adapté à votre installation, reportez-vous à la figure ci-après.



Evacuation ajustable de système de ventilation escamotable



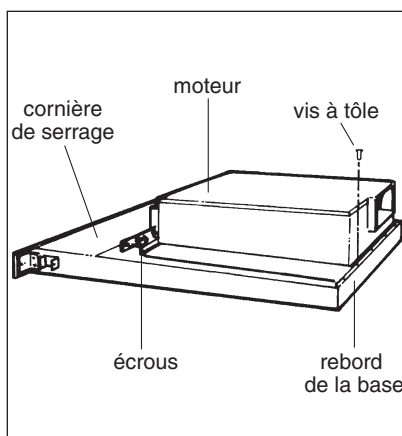
AJUSTEMENT DE L'EVACUATION DU MOTEUR

EVACUATION PAR LE BAS DE LA GAUCHE VERS LA DROITE

Un ajustement de l'évacuation par le bas de la gauche vers la droite maintiendra l'évacuation par le bas mais autorisera un ajustement latéral.

Exécutez les étapes ci-dessous si l'évacuation du moteur doit être déplacée de la gauche vers la droite pour que le réseau de gaines ne se trouve pas dans le passage des solives de plancher, de la tuyauterie ou du câblage se trouvant au-dessous de l'appareil. Reportez-vous à la figure ci-après.

- Posez l'évacuation sur sa face arrière, sur une surface plane.
- Desserrez les 4 écrous et les 2 cornières de serrage.
- Faites glisser le moteur à l'emplacement souhaité.
- Bouchez toute ouverture éventuelle à l'aide de la plaque fournie.
- Serrez les écrous pour fixer le top acier inoxydable du moteur et insérez les vis à tôle dans le rebord inférieur afin de fixer la base du moteur.



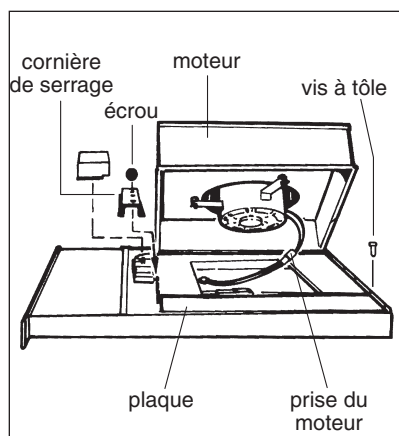
Ajustement de l'évacuation du moteur par le bas

EVACUATION PAR LE BAS VERS LA GAUCHE OU VERS LA DROITE

Le remplacement de l'évacuation par le bas par une évacuation vers la gauche ou vers la droite aura pour effet de faire passer l'évacuation du moteur du bas vers la gauche ou vers la droite du système de ventilation escamotable.

Exécutez les étapes suivantes si vous devez faire pivoter le moteur vers l'emplacement d'évacuation à gauche ou à droite. Reportez-vous à la figure ci-après.

- Posez l'évacuation sur sa face arrière, sur une surface plane.
- Retirez les 4 écrous et les 2 cornières de serrage.
- Retirez le couvercle du moteur à engrenages.
- Soulevez le moteur du système de ventilation avec précaution et au besoin, retirez la prise du moteur à engrenages. Remettez le moteur du système de ventilation en place et rebranchez la prise au moteur à engrenages.
- Bouchez toute ouverture éventuelle à l'aide de la plaque fournie.
- Remettez les cornières de serrage en place et à l'aide des écrous, fixez le moteur à son nouvel emplacement.
- Réinstallez le couvercle du moteur à engrenages.
- Vissez les vis à tôle (non fournies avec l'appareil) dans le rebord de la base afin de fixer celle-ci au moteur.



Evacuation à gauche ou à droite

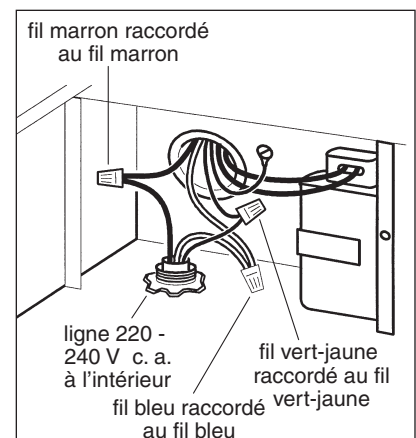
CABLAGE DU **MOTEUR INTEGRE****ICBDD30I, ICBDD36I ET ICBDD45I**

- Montez une prise électrique ordinaire de 220 - 240 V c.a. à 3 broches dans l'élément de cuisine ou l'élément adjacent. Assurez-vous qu'elle est située à portée du cordon d'alimentation de 2,5 m du système de ventilation escamotable.
- Acheminez le cordon d'alimentation approprié dans l'élément de cuisine et branchez-le au coffret électrique et dans la prise.
- Branchez le cordon d'alimentation du système de ventilation escamotable dans la prise.

RACCORDEMENT DU **MOTEUR DEPORTE****ICBDD30R, ICBDD36R ET ICBDD45R**

- Montez une prise électrique ordinaire de 220 - 240 V c.a. à 3 broches dans l'élément de cuisine ou l'élément adjacent. Assurez-vous qu'elle est située à portée du cordon d'alimentation de 2,5 m du système de ventilation escamotable.
- Acheminez le cordon d'alimentation approprié dans l'élément de cuisine et branchez-le au coffret électrique et dans la prise.
- La puissance du moteur déporté ne doit pas dépasser 3 ampères.
- Acheminez les 2 fils et le câble d'alimentation de terre du moteur déporté au coffret électrique situé sur la plaque de l'adaptateur du moteur.
- Raccordez les fils du système de ventilation escamotable au câble d'alimentation du moteur déporté. Le fil marron doit être raccordé au fil marron, le fil bleu au fil bleu et le fil vert-jaune au fil vert-jaune. Reportez-vous à la figure ci-après.
- Remplacez le couvercle du coffret électrique.
- Branchez le cordon d'alimentation du système de ventilation escamotable dans la prise.

REMARQUE IMPORTANTE : Pour le montage et l'installation du moteur déporté, reportez-vous aux instructions d'installation de votre moteur spécifique.



Branchements des fils

**DEPISTAGE** DES PANNES

REMARQUE IMPORTANTE : Si le système de ventilation escamotable ne fonctionne pas correctement, suivez les étapes de dépiستage des pannes suivantes :

- Vérifiez si l'alimentation électrique est fournie au système de ventilation escamotable.
- Vérifiez les branchements électriques afin de vous assurer que l'installation a été effectuée correctement.
- Suivez les procédures de dépiستage des pannes décrites dans le Guide d'utilisation et d'entretien du système de ventilation escamotable Wolf.
- Si le système de ventilation escamotable ne fonctionne toujours pas, contactez un centre de service après-vente agréé Wolf. N'essayez pas de réparer le système de ventilation escamotable vous-même. Wolf ne peut être tenue responsable des dépannages requis en raison d'une mauvaise installation.

SERVICE APRES-VENTE

- Si un service après-vente est nécessaire, faites appel à une antenne de service agréée Wolf afin de préserver la qualité inhérente à votre système de ventilation escamotable.
- Pour obtenir les coordonnées de votre service après-vente local, adressez-vous à votre dépositaire Wolf ou consultez notre site Internet, **wolfappliance.com**, pour trouver les coordonnées des distributeurs régionaux par pays.
- Si vous nous contactez pour un service après-vente, vous devrez fournir les numéros de modèle et de série de votre système de ventilation escamotable. Ces informations figurent sur la plaque des caractéristiques du produit située au-dessus du caisson de ventilation, sur l'avant de l'appareil. Reportez-vous à l'illustration figurant page 33.

CONTACT

Site Internet :
wolfappliance.com

Les informations et les images contenues dans ce guide sont protégées par des droits d'auteur et sont la propriété de Wolf Appliance, Inc., une filiale de Sub-Zero, Inc. Ce guide et les informations et images qu'il contient ne peuvent être copiés ou utilisés, en partie ou en totalité, sans l'autorisation écrite expresse de Wolf Appliance, Inc., filiale de Sub-Zero Inc.

©Wolf Appliance, Inc. tous droits réservés.



WOLF[®]

INFORMAZIONI
PER I
CONTATTI

Sito Web:
wolfappliance.com

In queste istruzioni sono presenti dei simboli di **AVVERTENZA** e **ATTENZIONE**. Le informazioni evidenziate sono importanti per l'installazione sicura ed efficiente dell'apparecchiatura Wolf. Durante l'installazione vi sono due potenziali pericoli.

⚠ ATTENZIONE

segnala i casi in cui possono verificarsi lesioni di lieve entità o danni al prodotto in caso di mancata osservanza delle istruzioni.

⚠ AVVERTENZA

indica un pericolo che potrebbe causare gravi lesioni o morte in caso di mancata osservanza delle istruzioni.

Un'altra nota in calce è **NOTA IMPORTANTE**: tale nota evidenzia informazioni di particolare importanza per un'installazione priva di problemi.



REQUISITI PER **L'INSTALLAZIONE**

NOTA IMPORTANTE: l'installazione deve essere eseguita da un tecnico esperto o di un addetto del centro assistenza autorizzato Wolf.

- **Installatore:** leggere tutte le istruzioni prima dell'installazione. Conservare queste istruzioni come riferimento per le verifiche locali, quindi lasciarle al proprietario dell'abitazione.
- **Proprietario dell'abitazione:** leggere e conservare queste istruzioni come riferimento futuro e accertarsi di aver letto con attenzione le informazioni per l'utilizzo e la manutenzione prima dell'uso.

Per i dubbi o i problemi relativi all'installazione, rivolgersi al rivenditore o visitare il sito Web wolfappliances.com.

NOTA IMPORTANTE: questo elettrodomestico deve essere installato in conformità alle normative elettriche locali e alle leggi locali e statali. L'elettrodomestico deve essere alimentato alla corretta tensione, frequenza e corrente, tramite un circuito dotato di adeguata messa a terra, protetto da un interruttore generale di adeguate dimensioni o da un fusibile ritardato. I valori corretti di tensione, frequenza e corrente sono elencati sull'etichetta identificativa del prodotto.

Registrare il modello e i numeri di serie prima di installare la cappa estraibile di aerazione. I due codici sono riportati sull'etichetta identificativa sulla scatola dell'aria nella parte anteriore dell'unità. Fare riferimento alla figura di seguito.

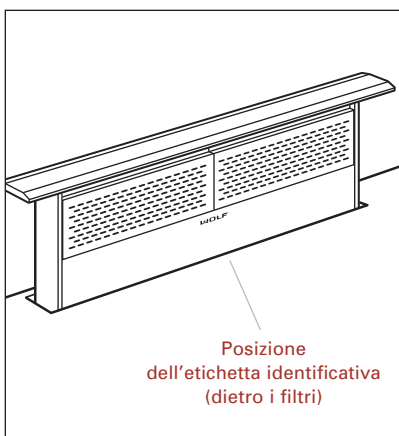
PRIMA DI INIZIARE

- Un'installazione corretta è responsabilità dell'installatore.
- Rivolgersi agli enti di servizio locali per conoscere le norme relative agli impianti elettrici vigenti nella propria area. Le norme variano. Installazione, connessioni elettriche e messa a terra devono essere conformi alle normative di pertinenza.
- Questo elettrodomestico deve avere un'adeguata messa a terra. Consultare la sezione Requisiti elettrici a pagina 49.
- Servirsi degli strumenti e del materiale adeguati per una corretta installazione.
- Gli interventi di assistenza richiesti devono essere eseguiti da un centro di assistenza autorizzato Wolf. Wolf non è responsabile dell'assistenza richiesta per correggere un'installazione difettosa.

INFORMAZIONI
SULL'ETICHETTA
A IDENTIFICATIVA

Numero del modello

Numero di serie



Posizione dell'etichetta identificativa

CAPPA ESTRAIBILE PER AERAZIONE

DIMENSIONI COMPLESSIVE

NOTA IMPORTANTE: le cappe estraibili per aerazione sono consigliate per l'utilizzo con i piani cottura a induzione o elettrici, a gas e multifunzione Wolf. Non vanno utilizzati con piani cottura a induzione o elettrici senza telaio e non sono consigliati per l'uso con griglie elettriche, unità per la cottura a vapore e friggitrici. Per l'utilizzo con i piani cottura professionali dual fuel e a gas si consiglia una cappa di ventilazione Pro.

NOTA IMPORTANTE: con i modelli di piano cottura professionale a tenuta ICBSRT304 e ICBSRT366 è possibile utilizzare la cappa estraibile. Per questa installazione occorre un kit (810215) cornici. Rivolgersi al rivenditore Wolf per i dettagli.

Le cappe d'aspirazione estraibili Wolf sono disponibili in larghezze da 762 mm, 914 mm e 1.156 mm. La cappa estraibile deve essere larga almeno quanto il piano cottura.

I modelli ICBDD30I, ICBDD36I e ICBDD45I sono dotati di una soffiante interna da 850 m3/ora. I modelli ICBDD30R, ICBDD36R e ICBDD45R non includono la soffiante al momento della spedizione e possono essere utilizzati con la soffiante a distanza (812307) da 1.529 m3/ora, disponibile presso i rivenditori Wolf.

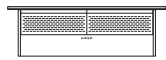
MODELLI ICBDD30I E ICBDD30R

Larghezza totale	762 mm
Ampiezza della parte estraibile	667 mm
Altezza complessiva (sopra il piano di lavoro)	230 mm
Profondità complessiva	60 mm
Profondità della parte estraibile	38 mm

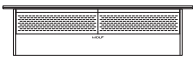
MODELLI ICBDD36I E ICBDD36R

Larghezza totale	914 mm
Ampiezza della parte estraibile	819 mm
Altezza complessiva (sopra il piano di lavoro)	230 mm
Profondità complessiva	60 mm
Profondità della parte estraibile	38 mm

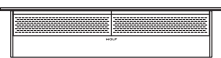
Le dimensioni possono variare di ± a 3 mm.



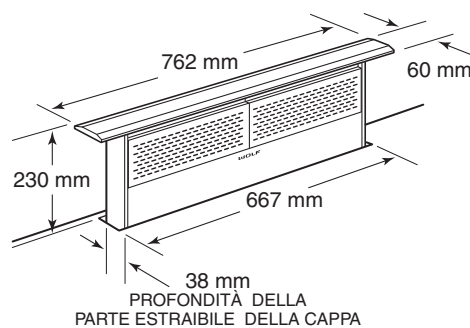
Modello ICBD30



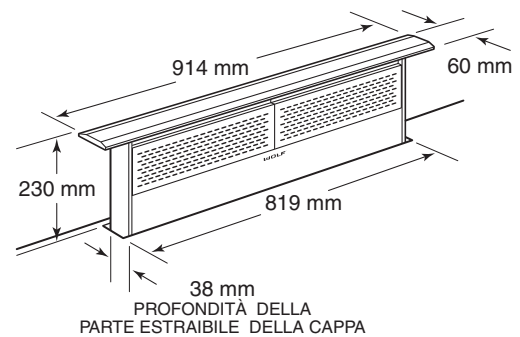
Modello ICBD36



Modello ICBD45



Modelli ICBD30I e ICBD30R



Modelli ICBD36I e ICBD36R



DIMENSIONI COMPLESSIVE

MODELLI ICBDD45I E ICBDD45R

Larghezza totale	1.156 mm
Ampiezza della parte estraibile	1.048 mm
Altezza complessiva (sopra il piano di lavoro)	230 mm
Profondità complessiva	60 mm
Profondità della parte estraibile	38 mm

Le dimensioni possono variare di ± 3 mm.

REQUISITI ELETTRICI

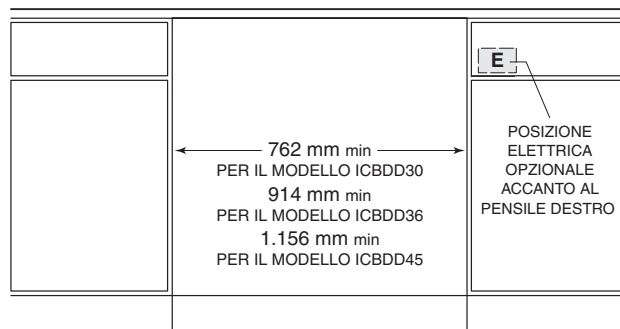
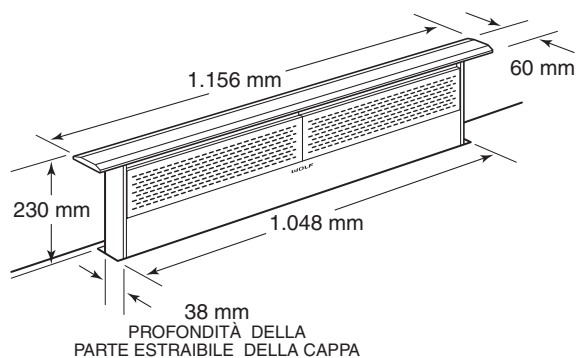
Le cappe estraibili per aerazione Wolf richiedono un alimentatore separato con messa a terra da 240 V 50/60 Hz. L'allacciamento deve avere il proprio interruttore di circuito da 10 A. L'unità è dotata di un cavo di alimentazione "Schuko" da 2,5 m CEE 7/7 per l'Europa centrale. La posizione specifica della presa non è di estrema importanza, purché sia entro la portata del cavo di alimentazione, situato a sua volta a metà distanza verticale sul lato destro della cappa retrattile.

NOTA IMPORTANTE: se il modello ICBDD30 è installato in un pensile largo 762 mm, il modello ICBDD36 in un pensile da 914 mm o il modello ICBDD45 in un pensile da 1.156 mm, la presa elettrica non può essere sulla parete posteriore del pensile. È possibile posizionare la presa in un pensile adiacente entro la portata del cavo di alimentazione. Nella parete del pensile praticare un foro di accesso per il cavo di alimentazione.

Scegliere la posizione elettrica riportata nelle istruzioni più adeguata alla propria installazione.

NOTA IMPORTANTE

attenersi alle normative elettriche nazionali. Durante l'installazione, prestare inoltre attenzione alle normative locali.



Modelli ICBDD45I e ICBDD45R

Posizione dei collegamenti elettrici

SPECIFICHE PER L'INSTALLAZIONE

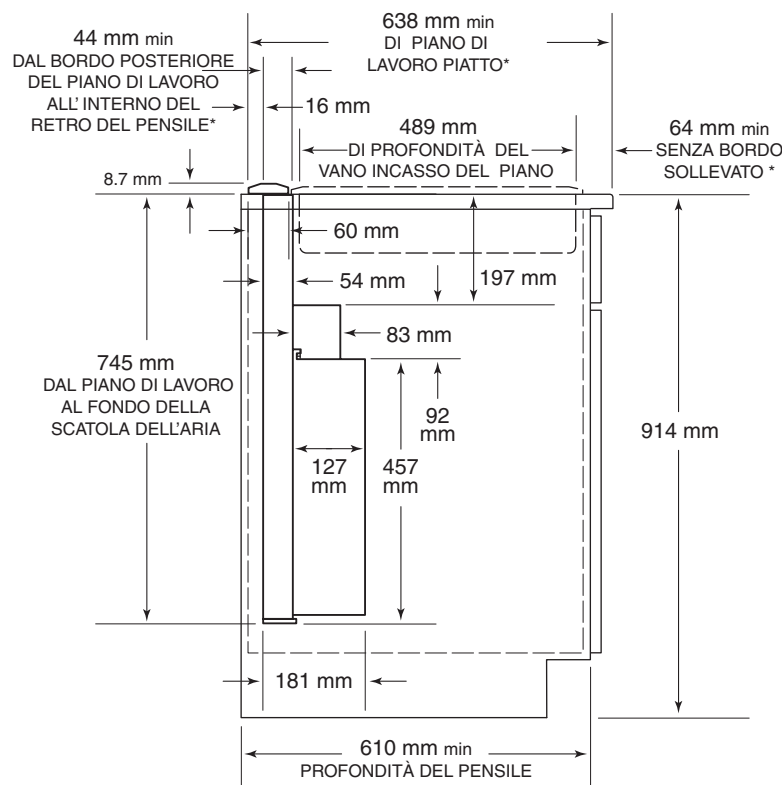
La cappa estraibile Wolf modello ICBDD30 è ideale per la maggior parte dei pensili da 762 mm, il modello ICBDD36 per i pensili da 914 mm ed il modello ICBDD45 per i pensili da 1.156 mm. Si consiglia di utilizzare pensili di dimensioni maggiorate per facilitare l'installazione. Potrebbe essere necessario rimuovere i pannelli posteriori dei pensili.

Le cappe estraibili per aerazione Wolf possono essere montati su isole, penisole o in posizione standard.

Nella figura in basso sono riportate le dimensioni di installazione per i modelli di cappe estraibili Wolf. Prestare particolare attenzione alle zone di potenziale interferenza come menzionato in figura.

NOTA IMPORTANTE: per installare una cappa estraibile a un piano cottura Wolf occorre calcolare uno spazio minimo per piano di lavoro piatto di 638 mm fronte-retro. Un piano di lavoro con un bordo sollevato o pannello posteriore potrebbe non lasciare spazio sufficiente per una corretta installazione. Dietro il piano cottura occorrono 60 mm e tra il bordo posteriore del piano cottura e l'interno posteriore del pensile occorrono 44 mm.

Se la cappa estraibile con modello ICBDD30 viene installata in combinazione con due piani cottura o moduli integrati, occorre disporre di un supporto integrato (8603386) per le cappe estraibili. Per il modello ICBDD45 è necessario il supporto del modulo integrato.



*PUNTI DI POTENZIALE INTERFERENZA

Dimensioni di installazione della cappa estraibile



SPECIFICHE PER L'INSTALLAZIONE

Per l'installazione di una cappa estraibile con un piano cottura, fare riferimento alle istruzioni di installazione per le dimensioni del piano cottura del vano incasso del piano di lavoro e dei requisiti per il pensile. La profondità del piano cottura può variare e interessa la posizione della cappa estraibile sul piano cottura.

Nella figura in basso sono riportate le dimensioni del vano di incasso del piano di lavoro per le cappe estraibili dei modelli ICBD30, ICBD36 e ICBD45, installati con un piano cottura Wolf da 762 mm o da 914 mm, oppure con una combinazione di piano cottura e/o moduli.

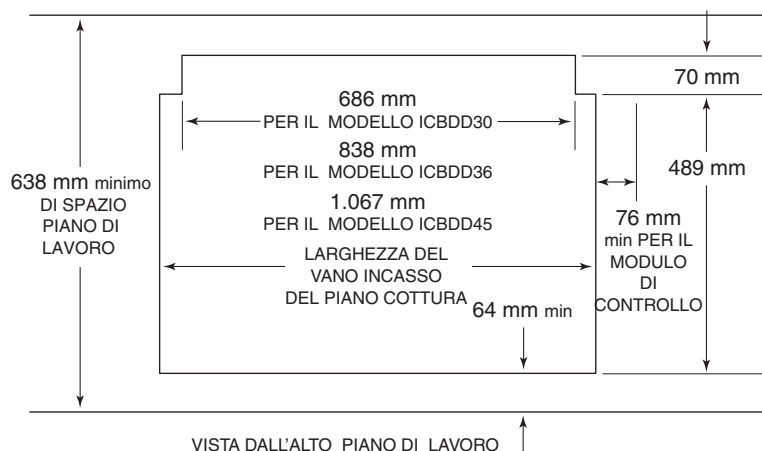
NOTA IMPORTANTE: per l'installazione di una cappa estraibile con un piano cottura professionale con fornelli a tenuta, modello ICBSRT304 e ICBSRT366, occorre un kit cornici opzionale (810215). Rivolgersi al rivenditore Wolf per i dettagli. Per ottenere le informazioni sui rivenditori di zona, visitare il sito Web all'indirizzo wolfappliance.com.

È possibile posizionare il modulo di controllo in orizzontale o verticale e in qualsiasi posizione entro 3 m dalla cappa e a un minimo di 76 mm dal limite del vano di incasso del piano cottura. Per le istruzioni relative all'installazione del modulo di controllo, consultare pagina 53.

NOTA IMPORTANTE: utilizzare la cappa estraibile con un modulo di controllo e un coperchio superiore approvati da Wolf.

VANO DI INCASSO DEL PIANO DI LAVORO

- Disporre e tagliare il vano di incasso del piano cottura a una distanza che consenta la sistemazione della cappa estraibile.
- Posizionare il piano cottura e farlo scorrere il più lontano possibile. Centrare e squadrare il piano cottura alle estremità del piano di lavoro.
- Posizionare la mascherina in plastica inclusa con la cappa estraibile sulla flangia posteriore del piano cottura centrandola. Segnare sulla mascherina l'apertura della cappa estraibile.
- Rimuovere il piano cottura dal piano di lavoro.
- Praticare l'apertura per la cappa. Fare attenzione a non scheggiare i bordi del piano di lavoro.



Dimensioni vano incasso

INSTALLAZIONE DELLA CAPPA ESTRAIBILE

- Sistemare la cappa estraibile nell'apertura. Estendere le staffe di livellamento verso la parte inferiore del pensile in modo che la cappa estraibile sia dritta. **NOTA:** è possibile rimuovere le staffe di livellamento e ricollegarle in altre posizioni. La flangia della staffa di livellamento deve essere rivolta verso l'interno durante le installazioni di pensili stretti. Fare riferimento alla figura di seguito.
- Fissare la cappa al piano di lavoro reggendola contro la parte posteriore del vano di incasso del piano di lavoro e serrando le due viti di montaggio (una a ciascuna estremità) nella parte inferiore del piano di lavoro.
- Avvitare le staffe di livellamento alla parte inferiore del pensile. Serrare le viti reggendo le staffe all'unità su ciascun lato.

MODULO DI **CONTROLLO**

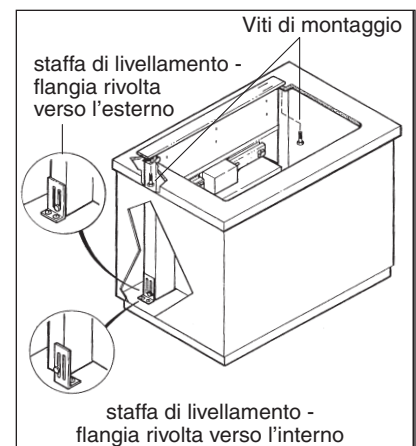
⚠ AVVERTENZA

Per ridurre il rischio di ustioni o incendi degli indumenti, è necessario montare il modulo di controllo almeno a 76 mm dai bordi del vano di incasso del piano cottura.

Il modulo di controllo montato a distanza e il coperchio superiore sono compresi nella cappa estraibile. Sono inoltre inclusi le staffe di montaggio, il connettore RJ45 e la bulloneria di montaggio.

È possibile posizionare il modulo di controllo in qualsiasi posizione, entro 3 m dalla cappa e a un minimo di 76 mm dal limite del vano di incasso del piano cottura. Il modulo di controllo montato a distanza è 60 mm x 168 mm e può essere montato in orizzontale o in verticale sul piano di lavoro.

NOTA IMPORTANTE: non posizionare il modulo dove potrebbe intralciare le operazioni, nei luoghi in cui vengono poggiate padelle calde e dove possono essere versati liquidi sui comandi.



Staffe di montaggio della cappa estraibile

**MODULO DI CONTROLLO**

Praticare tre fori e collegare il modulo di controllo alla cappa utilizzando il filo in dotazione. Per il cavo del connettore RJ45 il foro da 25 mm di diametro sarà centrato nella parte posteriore del modulo di controllo. I due fori con diametro da 6 mm per le viti di montaggio saranno posizionati a 51 mm dal centro del foro del connettore RJ45, uno a ciascun lato.

INSTALLAZIONE DEL MODULO DI CONTROLLO

- Contrassegnare il centro del modulo di controllo nel piano di lavoro. Per posizionare i fori per le viti di montaggio misurare 51 mm dall'alto (o a sinistra) e 51 mm dal basso (o a destra).
- Praticare con attenzione i tre fori al piano di lavoro. Fare attenzione a non danneggiare o scheggiare la superficie del piano di lavoro.
- Controllare lo spessore del piano di lavoro. sistemare il modulo di controllo e verificare che i perni filettati siano lunghi a sufficienza da consentire il completo innesto dei galletti in nylon. Per i piani di lavoro più spessi può essere necessario dover praticare i fori parzialmente dal basso.
- Applicare uno strato di isolante intorno alla parte inferiore del modulo di controllo per impedire ai liquidi di raggiungere le connessioni elettriche o di sgocciolare attraverso i fori del piano di lavoro. Posizionare il modulo di controllo
- Da dietro al piano di lavoro avvitare i due galletti ai perni del modulo di controllo serrando semplicemente a mano.

CONNESSIONE DEL MODULO DI CONTROLLO

- Collegare il cavo del connettore RJ45 alla parte posteriore del modulo di controllo a distanza.
- Collegare l'altra estremità del cavo alla connessione elettrica che si trova a destra della cappa estraibile. Verificare che tutti i collegamenti siano ben serrati.
- Fare riferimento alla figura che si trova nella parte anteriore della cappa estraibile per il corretto orientamento del connettore RJ45 durante l'installazione nella cappa.

OPZIONI DELLA SOFFIANTE

CONSIDERAZIONI PER L'INCANALAMENTO

ACCESSORI

Gli accessori opzionali sono disponibili presso il rivenditore Wolf di fiducia. Per ottenere le informazioni sui rivenditori di zona, visitare il sito Web all'indirizzo wolfappliances.com.

I modelli di cappe estraibili Wolf ICBDD30I, ICBDD36I e ICBDD45I sono dotati di soffiante interna da 850 m³/ora. I modelli ICBDD30R, ICBDD36R e ICBDD45R non includono la soffiante al momento della spedizione e possono essere utilizzati con la soffiante a distanza (812307) da 1.529 m³/ora, disponibile presso i rivenditori Wolf.

NOTA IMPORTANTE: le opzioni per la soffiante variano secondo la superficie di cottura. Per i consigli, fare riferimento alla Guida al design Wolf reperibile sul sito Web.wolfappliances.com.

NOTA IMPORTANTE: installare le cappe estraibili Wolf solo con soffianti Wolf.

La soffiante dipende dalla superficie di cottura, dal volume di aria spostato e dalla lunghezza del condotto usato. Un condotto corto e dritto con un numero limitato di gomiti e transizioni garantisce le massime prestazioni per la cappa.

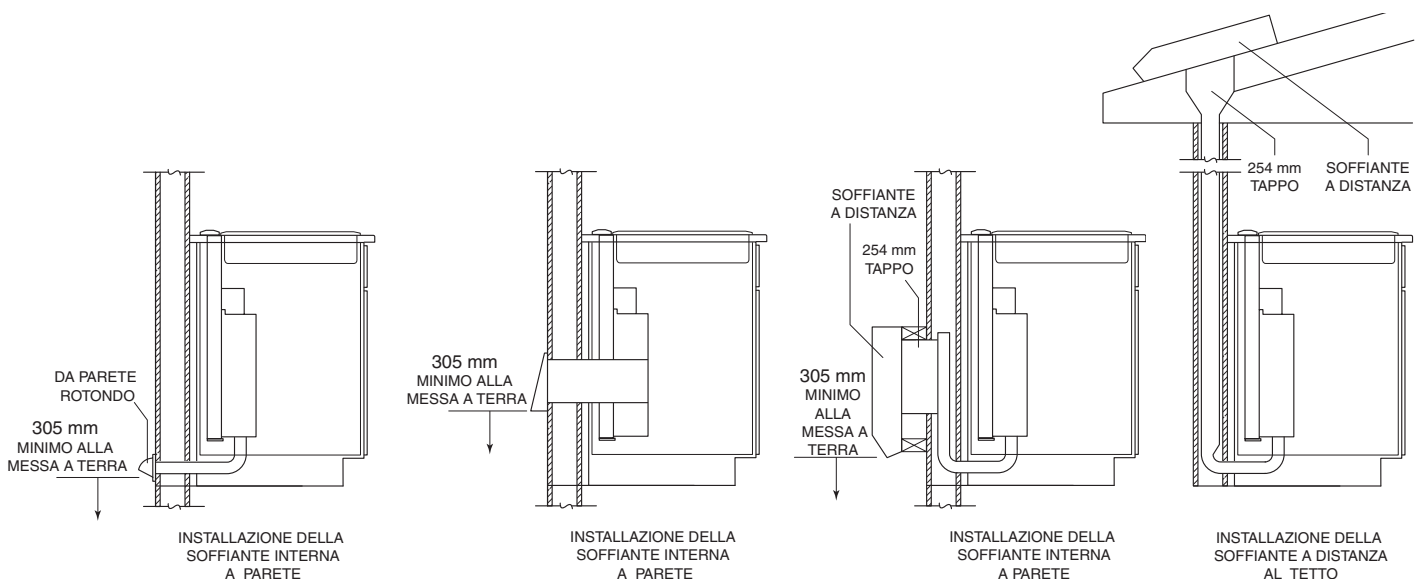
Una soffiante a distanza riduce al minimo il rumore, sebbene non lo elimini completamente.

NOTA IMPORTANTE: consultare un esperto del settore per applicazioni specifiche di incanalamento.

I modelli di cappe estraibili Wolf con soffiante interna sono stati progettati per l'utilizzo di condotti da 83 mm x 254 mm, mentre i modelli con soffiante a distanza sono progettati per condotti da 83 mm x 356 mm. Ciascuno di essi può prevedere una transizione con condotto rotondo di 203 mm o 254 mm.

Per garantire le massime prestazioni, si consiglia l'uso di condotto rotondo di 254 mm. La cappa estraibile funziona nel modo più efficiente se il condotto non supera la lunghezza di 12 metri.

Selezionare l'opzione per il condotto che consente la lunghezza minima di condotto ed un numero minimo di gomiti e curve. Verificare la posizione di travi del pavimento, perni a parete, cablaggio elettrico o tubazioni che possano interferire con il condotto. Per le opzioni di incanalatura consultare la figura che segue.



Opzioni per l'incanalamento della cappa estraile

INSTALLAZIONE DEL **CONDOTTO****⚠ AVVERTENZA**

Per ridurre il rischio di incendi utilizzare solo condotti metallici.

NOTA IMPORTANTE: tutte le cappe retrattili Wolf devono avere una ventilazione esterna.

NOTA IMPORTANTE: prima di praticare fori nel pensile per il condotto, verificare la posizione delle travi del pavimento, dei perni a parete, del cablaggio elettrico o delle tubazioni che possano intralciare tale operazione.

- Praticare il foro nel pensile e nelle pareti o nella parte inferiore, secondo le necessità per il condotto.
- Montare il tappo a parete o per il tetto e spingerlo verso il pensile, collegando tutti i condotti i gomiti e le transizioni. Applicare il nastro a tutte le connessioni dei condotti affinché siano salde e non entri aria.
- Collegare il condotto e le transizioni (se necessario) alla cappa estraibile. In caso necessario, allentare i dadi e le viti che reggono la soffiante in posizione e spostarla verso destra o verso sinistra per allinearla al condotto. Serrare nuovamente viti e dadi.

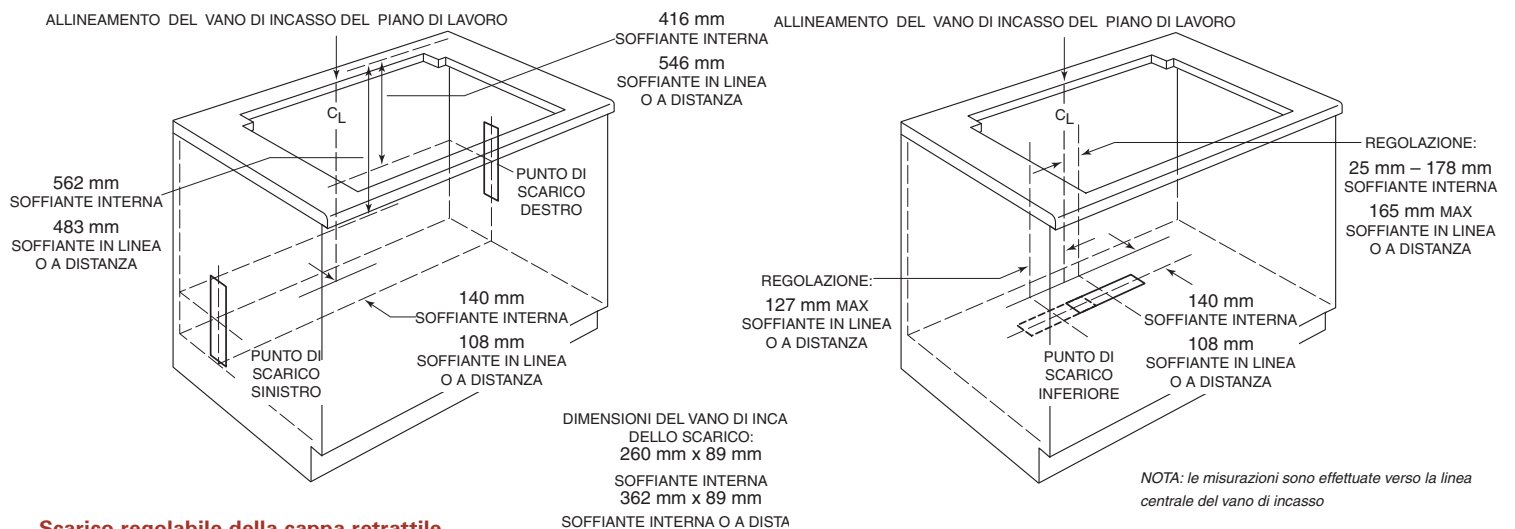
NOTA IMPORTANTE: per le installazioni in cui il condotto va rivettato all'unità, viene fornito un collare da 83 mm x 254 mm per i modelli con soffiante interna, e da 83 mm x 356 mm per i modelli con soffiante a distanza. Tale aggiunta consente la rimozione e la risistemazione della soffiante per gli interventi di assistenza senza disturbare il condotto.

NOTA IMPORTANTE: per sigillare la connessione utilizzare nastro per condotti tra l'uscita della soffiante e il condotto. Sostenere il peso del condotto in base alle esigenze per garantire la tenuta delle giunzioni.

SCARICO REGOLABILE

Le cappe estraibili Wolf sono dotate di uno scarico regolabile che consente di considerare eventuali ostacoli sul pavimento o nella stanza.

Sono disponibili tre posizioni di scarico diverse, con regolazione parallela per l'allineamento preciso del condotto. La soffiante prevede lo scarico rivolto verso il basso al momento della consegna. Per la posizione e la regolazione dello scarico più adatte all'installazione, consultare la figura che segue.



Scarico regolabile della cappa retrattile

**REGOLAZIONE** DELLO SCARICO DELLA SOFFIANTE**SCARICO INFERIORE DA SINISTRA A DESTRA**

Regolando lo scarico inferiore da sinistra a destra lo scarico della soffiante sarà rivolto verso il basso, consentendo regolazioni da lato a lato di lieve entità.

Se è necessario spostare lo scarico della soffiante da sinistra a destra seguire tale procedura in modo che il condotto non interferisca con le travi del pavimento le tubazioni o il cablaggio al di sotto dell'unità. Fare riferimento alla figura di seguito.

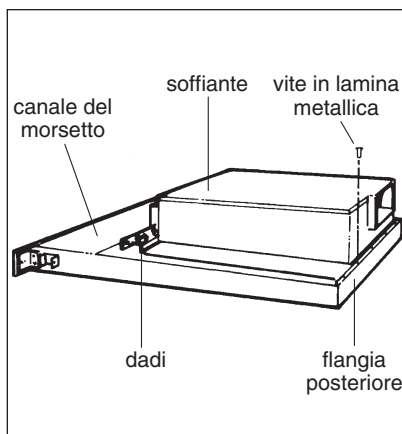
- Posizionare la cappa estraibile con il lato posteriore su una superficie di lavoro piana.
- Allentare i 4 dadi e i 2 canali dei morsetti.
- Far scorrere la soffiante nella posizione desiderata.
- Per chiudere gli spazi utilizzare la piastra di copertura in dotazione.
- Serrare i dadi per fissare la parte superiore della soffiante e utilizzare le viti in lamina metallica mediante la flangia posteriore per fissare la parte posteriore della soffiante.

SCARICO INFERIORE A DESTRA O A SINISTRA

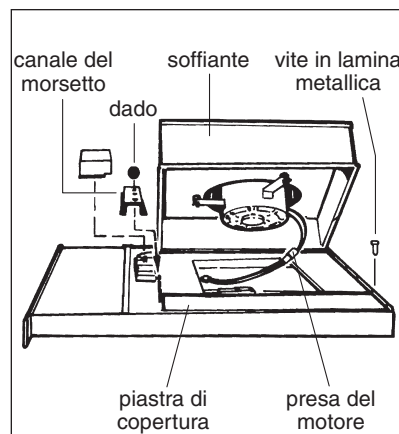
Sostituendo lo scarico inferiore con lo scarico a destra o a sinistra si fa passare lo scarico della posizione inferiore a sinistra o a destra della cappa estraibile.

Se è necessario ruotare la posizione dello scarico della soffiante a destra o a sinistra seguire la seguente procedura. Fare riferimento alla figura di seguito.

- Posizionare la cappa estraibile con il lato posteriore su una superficie di lavoro piana.
- Rimuovere i 4 dadi e i 2 canali dei morsetti.
- Rimuovere il coperchio del motore a ingranaggi.
- Sollevare con attenzione la soffiante e scollegare la presa del motore se necessario. Riposizionare la soffiante e ricollegare la presa del motore.
- Per chiudere gli spazi utilizzare la piastra di copertura in dotazione.
- Rimettere in posizione i canali dei morsetti e utilizzare i dadi per fissare la soffiante nella nuova posizione.
- Reinstallare il coperchio del motore a ingranaggi.
- Per fissare la parte inferiore della soffiante applicare viti in lamina metallica (non incluse) alla flangia posteriore.



Regolazione dello scarico inferiore della soffiante



Scarico della soffiante sinistra o destra

CABLAGGIO DELLA **SOFFIANTE INTERNA**

ICBDD30I, ICBDD36I E ICBDD45I

- Montare una scatola elettrica standard da 220-240 V CA, dotata di presa a tre punte messa a terra, all'interno del pensile o del pensile vicino. Verificare che si trovi entro la portata del cavo di alimentazione della cappa estraibile da 2,5 m.
- Instradare il cavo di alimentazione appropriato nel pensile e collegarlo alla scatola elettrica e alla presa.
- Collegare il cavo di alimentazione della cappa estraibile alla presa.

CABLAGGIO DELLA **SOFFIANTE A DISTANZA**

ICBDD30R, ICBDD36R E ICBDD45R

- Montare una scatola elettrica standard da 220-240 V CA, dotata di presa a tre punte messa a terra, all'interno del pensile o del pensile vicino. Verificare che si trovi entro la portata del cavo di alimentazione della cappa estraibile da 2,5 m.
- Instradare il cavo di alimentazione appropriato nel pensile e collegarlo alla scatola elettrica e alla presa.
- Il valore nominale della corrente della soffiante interna non deve superare i 3,0 A.
- Instradare il cavo a due fili con messa a terra dalla soffiante remota alla scatola elettrica sulla piastra dell'adattatore della soffiante remota.
- Collegare il cablaggio della cappa estraibile al cavo di alimentazione dalla soffiante remota. Collegare i fili in questo modo, marrone a marrone, blu a blu e verde/giallo a verde/giallo. Fare riferimento alla figura di seguito.
- Rimontare la copertura della scatola elettrica.
- Collegare il cavo di alimentazione della cappa estraibile alla presa.

NOTA IMPORTANTE: per il montaggio e l'installazione della soffiante a distanza, fare riferimento alle istruzioni di installazione della soffiante.



Connessioni di cablaggio

**SOLUZIONE DEI PROBLEMI**

NOTA IMPORTANTE: per la risoluzione dei problemi relativi al funzionamento non adeguato della cappa estraibile di aerazione, attenersi alla procedura seguente:

- Verificare che la cappa estraibile sia alimentata in modo adeguato.
- Controllare le connessioni elettriche per verificare che l'installazione sia andata a buon fine.
- Consultare la Guida alla risoluzione dei problemi Wolf nelle informazioni per l'uso e la manutenzione della cappa di aerazione estraibile Wolf.
- Se la cappa estraibile continua a non funzionare, rivolgersi a un centro di assistenza autorizzato Wolf. Non tentare di riparare da soli la cappa. Wolf non è responsabile dell'assistenza richiesta per correggere un'installazione difettosa.

SE È NECESSARIA ASSISTENZA

- Rivolgersi sempre ad un centro di assistenza Wolf autorizzato per non compromettere la qualità della cappa estraibile.
- Per l'assistenza in zona, rivolgersi al rivenditore Wolf o visitare il sito Web, **wolfappliance.com**, per trovare i distributori di zona in base al Paese.
- Prima di contattare l'assistenza, individuare i numeri di modello e di serie della cappa. Queste informazioni sono elencate sull'etichetta identificativa, sulla scatola dell'aria della parte anteriore dell'unità. Fare riferimento all'illustrazione a pagina 47.

**INFORMAZIONI
PER I
CONTATTI**

Sito Web:
wolfappliance.com

Le informazioni e le immagini contenute nella presente guida sono protette da copyright della Wolf Appliance Company, Inc., una consociata della Sub-Zero Freezer Company, Inc. Il presente documento e le informazioni o le immagini qui contenute non potranno essere copiati o utilizzati, in parte o nella loro interezza, senza l'esplicito consenso scritto di Wolf Appliance Company, Inc., consociata di Sub-Zero, Inc.

©Wolf Appliance, Inc. Tutti i diritti riservati.



WOLF[®]

KONTAKTIN-
FORMATIONEN

Website:
wolfappliance.com

In diesen Anweisungen sind Symbole für **ACHTUNG** und **VORSICHT** enthalten. Diese Informationsblöcke sind wichtig für die sichere und effiziente Installation von Wolf-Geräten. Es gibt zwei Arten möglicher Gefahren, die während der Installation auftreten können.

⚠ VORSICHT

weist auf eine Situation hin, in der geringfügige Verletzungen oder Produktschäden auftreten, wenn Sie die Anweisungen nicht befolgen.

⚠ ACHTUNG

benennt eine Gefahr, die zu einer ernsthaften Verletzung oder zum Tod führen kann, wenn die Vorsichtsmaßnahmen nicht eingehalten werden.

Eine weitere Fußnote, auf die wir aufmerksam machen möchten, ist ein **WICHTIGER HINWEIS**: Er hebt Informationen hervor, die für eine problemlose Installation besonders relevant sind.



INSTALLATIONSVORAUSSETZUNGEN

WICHTIGER HINWEIS: Diese Installation muss von einem qualifizierten Installierer oder einem Techniker eines Wolf-Kundendienstzentrums vorgenommen werden.

- **Installierer:** Lesen Sie bitte die gesamten Installationsanweisungen vor der Installation. Bewahren Sie diese Anweisungen bitte auf, damit der örtliche Prüfer Einsicht nehmen kann, und hinterlassen Sie sie dann dem Hauseigentümer.
- **Hauseigentümer:** Bitte lesen Sie diese Anweisungen und bewahren Sie sie für zukünftige Nachschlagezwecke auf. Vor der Verwendung sollten Sie unbedingt die gesamte Bedienungs- und Pflegeanleitung lesen.

Bei Fragen oder Problemen bezüglich der Installation wenden Sie sich an Ihren Händler, oder besuchen Sie unsere Website wolfappliance.com.

WICHTIGER HINWEIS: Dieses Gerät muss gemäß nationaler Elektrovorschriften sowie städtischer und örtlicher Vorschriften installiert werden. Die richtige Spannung, Frequenz und Amperezahl müssen dem Gerät über einen dedizierten, geerdeten Stromkreis bereitgestellt werden, der von einem korrekt ausgelegten Schutzschalter oder einer Sicherung mit Zeitverzögerung geschützt wird. Die richtige Spannung, Frequenz und Amperezahl sind auf dem Produktypenschild aufgeführt.

Zeichnen Sie Modell- und Seriennummer auf, bevor das Randabsaugungssystem eingebaut wird. Beide Nummern befinden sich auf dem Typenschild, das über dem Luftfilterkasten vorne auf dem Gerät angebracht ist. Siehe die Abbildung unten.

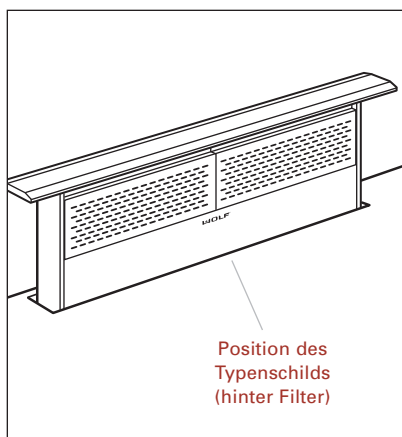
VOR DER INBETRIEBNAHME

- Für die korrekte Installation ist der Installierer verantwortlich.
- Setzen Sie sich mit dem örtlichen Versorgungsunternehmen in Verbindung, um zu erfahren, welche Elektrovorschriften in Ihrer Region Anwendung finden. Die örtlichen Vorschriften sind unterschiedlich. Die Installation, Elektroanschlüsse und Erdung müssen den geltenden Vorschriften entsprechen.
- Dieses Gerät muss ordnungsgemäß geerdet werden. Siehe die Elektrovoraussetzungen auf Seite 63.
- Vergewissern Sie sich, dass Sie über die für die ordnungsgemäße Installation erforderlichen Werkzeuge und Materialien verfügen.
- Alle erforderlichen Instandhaltungsarbeiten sind von einem Wolf-Vertragshändler durchzuführen. Wolf ist nicht für Servicearbeiten verantwortlich, die zur Korrektur einer fehlerhaften Installation erforderlich sind.

INFORMATIONEN AUF DEM TYPENSCHILD

Modellnummer

Seriennummer



Typenschildposition

RANDABSAUGUNG

GESAMTABMESSUNGEN

WICHTIGER HINWEIS: Randabsaugungssysteme von Wolf werden zur Verwendung mit Induktionskochfeldern mit Rahmen sowie Elektro-, Gas- und Multifunktionskochmulden empfohlen. Sie können nicht mit rahmenlosen Induktions- oder Elektrokochfeldern verwendet werden und werden nicht für den Einsatz mit Elektrogrill-, Dampfgar- und Fritiermodulen empfohlen. Eine Pro-Dunstabzugshaube wird zur Verwendung mit Gas-/Elektrokombigeräten, Gasherden und Kochmulden von Wolf empfohlen.

WICHTIGER HINWEIS: Mit Kochmulden mit versiegelten Brennern der Modelle ICBSRT304 und ICBSRT366 kann ein Randabsaugungssystem verwendet werden. Für diese Installation ist ein Zubehör-Umrandungssatz (810215) erforderlich. Einzelheiten dazu erhalten Sie von Ihrem Wolf-Händler.

Randabsaugungssysteme von Wolf sind in Breiten von 762 mm, 914 mm und 1.156 mm erhältlich. Die Randabsaugung sollte mindestens so breit wie das Kochfeld sein.

Die Modelle ICBDD30I, ICBDD36I und ICBDD45I sind mit einem internen Gebläse mit einer Kapazität von 850 m³/hr ausgestattet. Die Modelle ICBDD30R, ICBDD36R und ICBDD45R werden ohne Gebläsebaugruppe ausgeliefert und können mit einem 1.529 m³/h Remote-Gebläse (812307) verwendet werden, das über Ihren Wolf-Händler erhältlich ist.

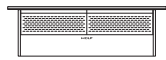
MODELLE ICBDD30I UND ICBDD30R

Gesamtbreite	762 mm
Breite des Abzugsschachts	667 mm
Gesamthöhe (über Arbeitsplatte)	230 mm
Gesamttiefe	60 mm
Tiefe des Abzugsschachts	38 mm

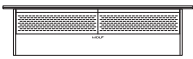
MODELLE ICBDD36I UND ICBDD36R

Gesamtbreite	914 mm
Breite des Abzugsschachts	819 mm
Gesamthöhe (über Arbeitsplatte)	230 mm
Gesamttiefe	60 mm
Tiefe des Abzugsschachts	38 mm

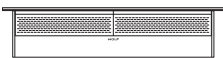
Abmessungen können bis zu ± 3 mm abweichen.



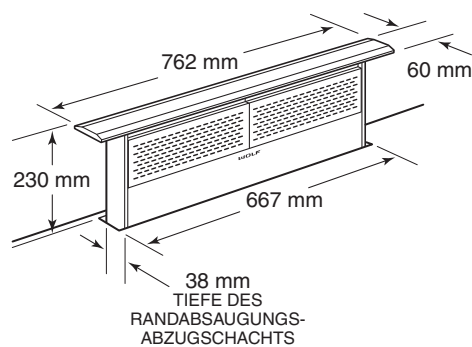
Modell ICBDD30



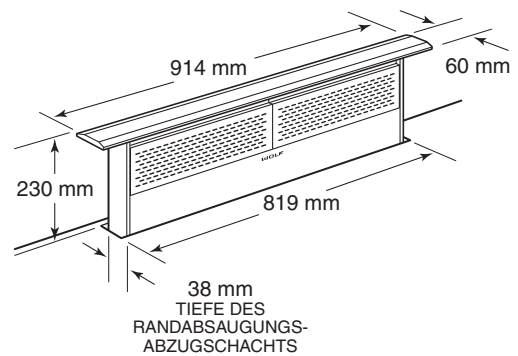
Modell ICBDD36



Modell ICBDD45



Modelle ICBDD30I und ICBDD30R



Modelle ICBDD36I und ICBDD36R



GESAMTABMESSUNGEN

MODELLE ICBDD45I UND ICBDD45R

Gesamtbreite	1.156 mm
Breite des Abzugsschachts	1.048 mm
Gesamthöhe (über Arbeitsplatte)	230 mm
Gesamttiefe	60 mm
Tiefe des Abzugsschachts	38 mm

Abmessungen können bis zu ± 3 mm abweichen.

ELEKTROVORAUSSETZUNGEN

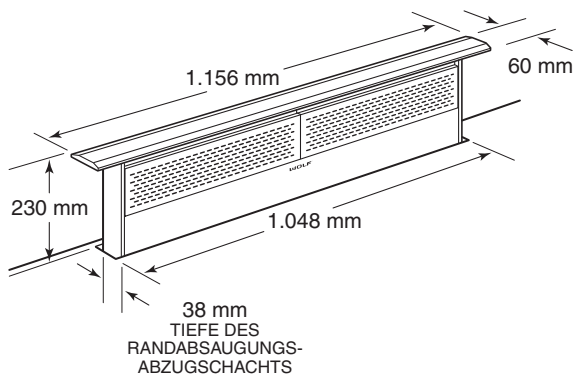
Randabsaugungssysteme von Wolf benötigen eine separate Versorgung von 240 V 50/60 Hz. Die Stromversorgung sollte über einen eigenen Schutzschalter von 10 A verfügen. Das Gerät ist mit einem 2,5 m langen CEE 7/7 Schuko-Netzstecker (Kontinentaleuropa) ausgestattet. Die spezifische Position der Steckdose ist nicht wichtig, solange sie in Reichweite des Netzkabels liegt, das sich vertikal mittig auf der rechten Seite der Randabsaugung befindetet.

WICHTIGER HINWEIS: Wenn Modell ICBDD30 in einem 762 mm breiten Schrank, Modell ICBDD36 in einem 914 mm breiten Schrank bzw. Modell ICBDD45 in einem 1.156 mm breiten Schrank installiert werden sollen, darf sich die Steckdose nicht an der Rückwand des Schrank befinden. Die Steckdose kann in einem angrenzenden Schrank innerhalb der Reichweite des Netzkabels untergebracht werden. Eine Zugangsöffnung für das Netzkabel muss in die Schrankwand gebohrt werden.

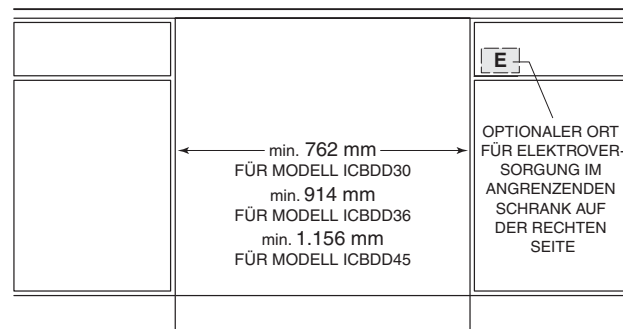
Wählen Sie den in der Zeichnung weiter unten angegebenen Ort für die Elektroversorgung, der für Ihre Installation am besten geeignet ist.

WICHTIGER HINWEIS

Sie müssen alle nationalen Elektrovorschriften einhalten. Außerdem beachten Sie alle örtlichen Vorschriften und Richtlinien, wenn Sie die Versorgung installieren.



Modelle ICBDD45I und ICBDD45R



Ort der Elektroversorgung

INSTALLATIONSSPEZIFIKATIONEN

Das Randabsaugungsmodell ICBDD30 von Wolf passt in die meisten 762 mm breiten Schränke, Modell ICBDD36 passt in die meisten 914 mm breiten Schränke und Modell ICBDD45 passt in die meisten 1.156 mm breiten Schränke. Zur leichteren Installation wird die Verwendung von größeren Schränken empfohlen. Die Schrankrückseiten müssen eventuell entfernt werden.

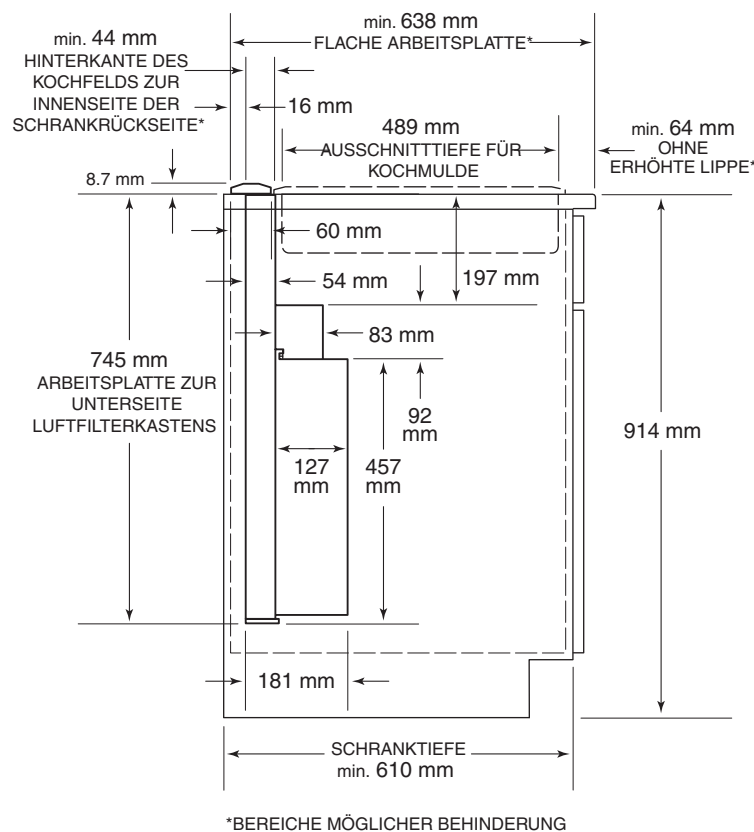
Randabsaugungssysteme von Wolf können in einer Insel-, Halbinsel- oder Standardwandkonfiguration montiert werden.

Die nachstehende Abbildung gibt die Installationsabmessungen für alle Randabsaugungssysteme von Wolf an.

Achten Sie besonders auf Bereiche mit möglichen Behinderungen, die in der Zeichnung angegeben sind.

WICHTIGER HINWEIS: Zur Installation eines Randabsaugungssystems und eines Kochfeldes von Wolf muss von vorne nach hinten ein flacher Arbeitsplattenraum von mindestens 638 mm vorhanden sein. Eine Arbeitsplatte mit einer hochgezogenen Lippe und/oder einem Spritzschutz bietet eventuell nicht genügend Platz für eine ordnungsgemäße Installation. Hinter dem Kochfeld muss die flache Arbeitsplatte mindestens 60 mm betragen, und zwischen der hinteren Kante des Kochfeldes und der Innenseite der Schrankrückseite sind 44 mm erforderlich.

Wenn das Randabsaugungsmodell ICBDD30 in Kombination mit zwei Kochfeldern oder integrierten Modulen installiert wird, ist ein integrierter Modulträger (8603386) für die Randabsaugung erforderlich. Der integrierte Modulträger wird für Modell ICBDD45 nicht benötigt.



Abmessungen der Randabsaugungsinstallation



INSTALLATIONSSPEZIFIKATIONEN

Zur Installation eines Randabsaugungssystems mit einer Kochmulde siehe die Anweisungen zur Kochmuldeninstallation, in denen die Abmessungen der Kochmulde, des Ausschnitts der Arbeitsplatte und die Schrankenforderungen enthalten sind. Die Tiefe der Kochmulde kann unterschiedlich ausfallen und beeinflusst die Position der Randabsaugung in der Arbeitsplatte.

Die nachstehende Abbildung enthält die Abmessungen für den Arbeitsplattenausschnitt für die Randabsaugungsmodelle ICBDD30, ICBDD36 und ICBDD45, die mit einem 762-mm- oder 914-mm-Kochfeld oder einer Kombination von Kochfeldern und/oder Modulen von Wolf installiert werden.

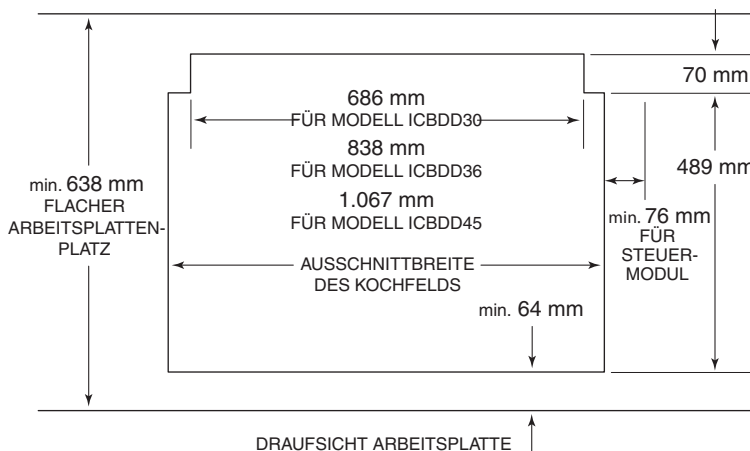
WICHTIGER HINWEIS: Für die Installation einer Randabsaugung bei Kochmulden mit versiegelten Brennern der Modelle ICBSRT304 und ICBSRT366 ist ein Zubehör-Umrandungssatz (810215) erforderlich. Einzelheiten dazu erhalten Sie von Ihrem Wolf-Händler. Informationen zu örtlichen Händlern erhalten Sie auf unserer Website wolfappliance.com.

Das Steuermodul kann horizontal oder vertikal positioniert und an einer beliebigen Stelle innerhalb von einem Abstand von 3 m von der Randabsaugungsbaugruppe und mindestens 76 mm von der Kante des Kochfeldausschnitts untergebracht werden. Anweisungen zur Installation des Steuermoduls finden Sie auf Seite 67.

WICHTIGER HINWEIS: Die Randabsaugung muss mit einem von Wolf zugelassenen Steuermodul und einer oberen Abdeckung verwendet werden.

ARBEITSPLETTENAUSCHNITT

- Den Kochfeldausschnitt anreißen und so weit nach vorne ausschneiden, dass die Randabsaugung dahinter Platz hat.
- Das Kochfeld an Ort und Stelle positionieren und so weit wie möglich nach vorne schieben. Das Kochfeld zentrieren und auf die Kanten der Arbeitsplatte ausrichten.
- Die im Lieferumfang der Randabsaugung enthaltene Kunststoffvorlage am hinteren Flansch des Kochfelds positionieren und zentrieren. Um die Vorlage herum anzeichnen, um die Öffnung für die Randabsaugung zu markieren.
- Das Kochfeld aus der Arbeitsplatte entfernen.
- Die Öffnung für die Randabsaugung ausschneiden. Dabei darauf achten, die Kanten der Arbeitsplatte nicht zu abbrechen.



Ausschnittabmessungen der Arbeitsplatte

INSTALLATION DER **RANDABSAUGUNG**

- Die Randabsaugung in die Öffnung setzen. Die Nivellierhalterungen zum Boden des Schrankes verlängern, damit die Randabsaugung gerade sitzt. HINWEIS: Die Nivellierhalterungen können ausgebaut und in anderen Positionen neu befestigt werden. Der Flansch der Nivellierhalterung muss bei engen Schrankinstallationen eventuell nach innen weisen. Siehe die Abbildung unten.
- Die Randabsaugung an der Arbeitsplatte befestigen, indem die Randabsaugung gegen die Rückseite des Arbeitsplattenausschnitts gehalten und die zwei Montageschrauben (eine an jedem Ende des Geräts) an der Unterseite der Arbeitsplatte festgezogen werden.
- Die Nivellierhalterungen an die Unterseite des Schrankes anschrauben. Die Schrauben, mit denen die Nivellierhalterungen an jeder Seite des Geräts befestigt sind, festziehen.

STEUERMODUL

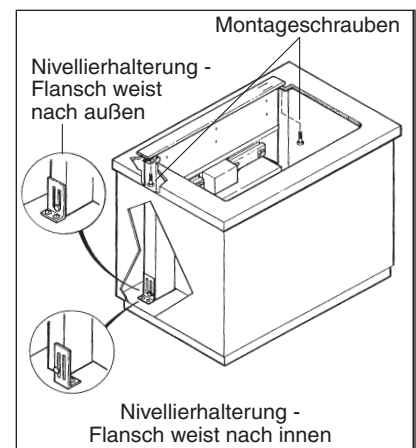
⚠ ACHTUNG

Um das Risiko von Verbrennungen zu reduzieren bzw. um zu verhindern, dass Kleidung Feuer fängt, weil Sie sich über die Brenner lehnen, muss das Steuermodul mindestens 76 mm von der Kante des Kochfeldausschnitts entfernt sein.

Das entfernt montierte Steuermodul und die obere Abdeckung sind im Lieferumfang der Randabsaugung enthalten. Außerdem sind Montagehalterungen, RJ45-Anschluss und Befestigungsmittel inbegriffen.

Das Steuermodul kann an einer beliebigen Stelle innerhalb der Reichweite des 3 m langen Netzkabels und mindestens 76 mm von der Kante des Kochfeldausschnitts untergebracht werden. Das entfernt montierte Steuermodul misst 60 mm x 168 mm und kann horizontal oder vertikal in der Arbeitsplatte positioniert werden.

WICHTIGER HINWEIS: Das Modul darf nicht so platziert werden, dass es beim Kochen im Weg ist, dass heiße Töpfe in der Nähe sind oder dass heiße Flüssigkeiten auf die Bedienelemente überlaufen können.



Montagehalterungen der Randabsaugung



STEUERMODUL

Sie müssen drei Löcher bohren und das Steuermodul mit dem mitgelieferten Kabel an der Randabsaugungsbaugruppe anschließen. Ein Loch mit einem Durchmesser von 25 mm für das RJ45-Anschlusskabel ist in der Rückseite des Steuermoduls horizontal und vertikal zentriert. Zwei Löcher mit einem Durchmesser von 6 mm für die Montageschrauben befinden sich 51 mm von der Mitte des Lochs für das RJ45-Anschlusskabel, und zwar eines auf jeder Seite.

INSTALLATION DES STEUERMODULS

- Die Mitte des Steuermoduls auf der Arbeitsplatte markieren. 51 mm nach oben (oder links) und 51 mm nach unten (oder rechts) messen, um die Löcher für die Montageschrauben zu lokalisieren.
- Vorsichtig die drei Löcher durch die Arbeitsplatte bohren. Dabei darauf achten, dass die Oberfläche während des Bohrens nicht beschädigt wird oder absplittert.
- Die Stärke der Arbeitsplatte überprüfen. Das Steuermodul in die richtige Position bringen und sicherstellen, dass die Gewindestifte lang genug sind, damit die Nylonflügelmuttern vollständig eingreifen. Bei dickeren Arbeitsplatten müssen die Löcher eventuell von unten her teilweise versenkt sein.
- Einen Wulst Kitt um die gesamte Unterseite des Steuermoduls auftragen, damit keine Flüssigkeiten in den Elektroanschluss gelangen bzw. durch die Löcher in der Arbeitsplatte tropfen können. Das Steuermodul positionieren.
- Von unterhalb der Arbeitsplatte aus die zwei Nylon-Flügelschrauben auf die Stifte des Steuermoduls aufdrehen und nur handfest anziehen.

STEUERMODULANSCHLUSS

- Das RJ45-Anschlusskabel mit der Rückseite des entfernt montierten Steuermoduls verbinden.
- Das andere Ende des Kabels mit dem auf der rechten Seite der Randabsaugungsbaugruppe befindlichen Elektroanschluss verbinden. Sicherstellen, dass alle Anschlüsse fest sitzen.
- Die Abbildung auf der Vorderseite der Randabsaugung zeigt die richtige Ausrichtung des RJ45-Anschlusses während der Installation in die Randabsaugungsbaugruppe.

GEBLÄSEOPTIONEN

Die Randabsaugungsmodelle ICBDD30I, ICBDD36I und ICBDD45I sind mit einem internen Gebläse mit einer Kapazität von 850 m³/h ausgestattet. Die Modelle ICBDD30R, ICBDD36R und ICBDD45R werden ohne Gebläusebaugruppe ausgeliefert und können mit einem 1.529 m³/hr Remote-Gebläse (812307) verwendet werden, das über Ihren Wolf-Händler erhältlich ist.

WICHTIGER HINWEIS: Gebläseoptionen hängen von der Kochfläche ab. Empfehlungen finden Sie in der Designanleitung von Wolf Design auf der Wolf-Website wolfappliance.com.

WICHTIGER HINWEIS: Dieses Randabsaugungssystem darf nur mit einem Wolf-Gebläse installiert werden.

Die Gebläsegröße ist unterschiedlich und wird von der Kochfläche, der umzuwälzenden Luftmenge und der Länge des Schachts bestimmt. Ein gerader, kurzer Schacht mit einer geringen Anzahl von Winkeln und Übergangsstücken gewährleisten den effizientesten Betrieb der Randabsaugung.

Ein entfernt montiertes Gebläse minimiert das Gebläsegeräusch, eliminiert es jedoch nicht ganz.

ANMERKUNGEN ZUM ABZUGS-SCHACHT

WICHTIGER HINWEIS: Wenden Sie sich zwecks spezifischer Installations- und Verrohrungsanwendungen immer an einen qualifizierten Heizungs- und Lüftungsspezialisten.

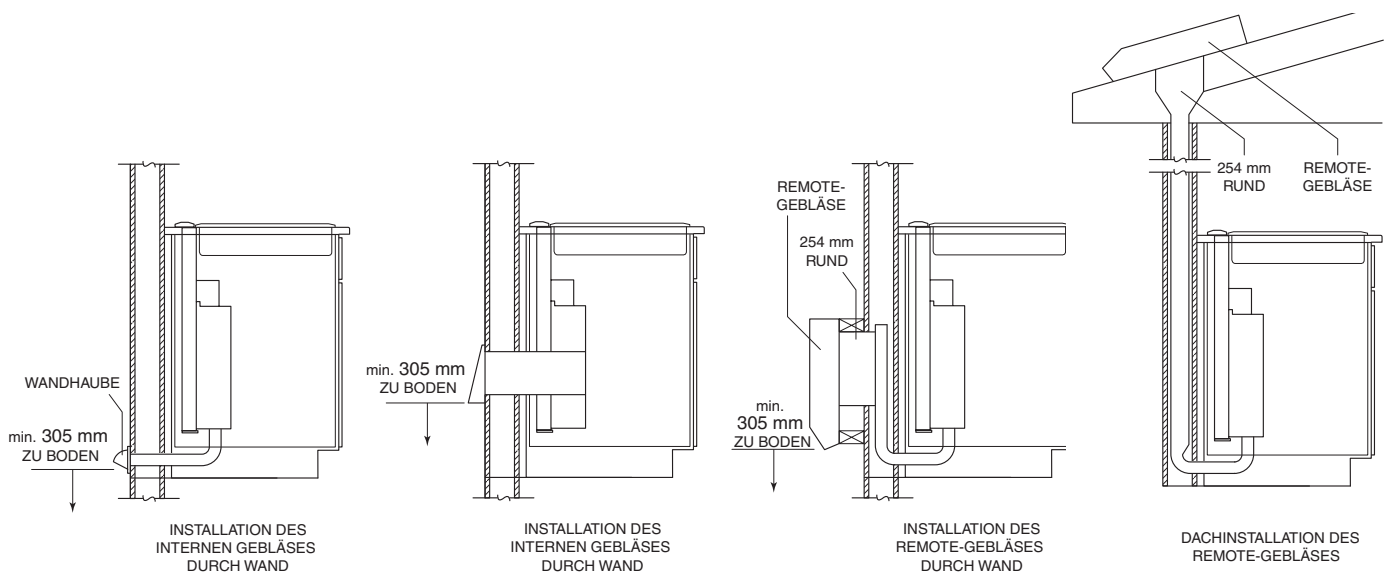
Randabsaugungsmodelle von Wolf mit einem internen Gebläse wurden zur Verwendung mit einer Verrohrung mit den Maßen 83 mm x 254 mm und einer Verrohrung mit den Maßen 83 mm x 356 mm für Modelle mit einem Remote-Gebläse entwickelt. Jedes System kann mit Übergangsstücken mit einem runden Rohr der Größe 203 mm oder 254 mm verbunden werden.

Zur Erzielung der besten Leistung werden runde Rohre der Größe 254 mm empfohlen. Die Randabsaugung arbeitet dann am effizientesten, wenn die Verrohrung nicht länger als 12 m ist.

Wählen Sie die Abluftvariante mit der geringsten Länge und der geringsten Anzahl an Winkel- und Übergangsstücken. Prüfen Sie die Position von Bodenschwellen, Wandpfosten, elektrischer Verdrahtung oder Sanitärinstallationen auf mögliche Behinderung der Verrohrung. Siehe die nachstehenden Zeichnungen mit Abluftvarianten.

ZUBEHÖR

Optionales Zubehör kann über Ihren Wolf-Händler bezogen werden. Informationen zu örtlichen Händlern erhalten Sie auf unserer Website wolfappliance.com.



Verrohrungsoptionen für die Randabsaugung



INSTALLATION DER VERROHRUNG

⚠ ACHTUNG

Um das Brandrisiko zu verringern, nur Metallrohre verwenden.

WICHTIGER HINWEIS: Alle Randabsaugungssysteme von Wolf müssen nach außen entlüftet werden.

WICHTIGER HINWEIS: Bevor Sie ein Loch für Rohre in den Schrank schneiden, prüfen Sie den Installationsort auf eventuelle Behinderungen durch Bodenschwellen, Wandpfosten, elektrische Verdrahtung oder Sanitärinstallationen.

- Nach Bedarf für die Verrohrung ein Loch in den Schrank sowie Löcher in die Wand oder den Boden schneiden.
- Die Dach- oder Wandhaube montieren und rückwärts in Richtung Schrank arbeiten. Dabei alle Rohre, Winkel und Übergangsstücke wie zuvor geplant anbringen. Alle Rohrverbindungen mit Band verkleben, um sie ganz luftdicht abzuschließen.
- Die Rohre und Übergangsstücke (nach Bedarf) an der Randabsaugung anschließen. Falls notwendig, die Muttern und Schrauben, mit denen das Gebläse in Position gehalten wird, lockern und das Gebläse nach links oder rechts verschieben, um es auf das Rohr auszurichten. Die Schrauben und Muttern wieder festziehen.

WICHTIGER HINWEIS: Bei Installationen, in denen die Rohre am Gerät vernietet sind, wird ein Bund mit den Maßen 83 mm x 254 mm für Modelle mit einem internen Gebläse und ein Bund mit den Maßen 83 mm x 356 mm für Modelle mit einem Remote-Gebläse bereitgestellt. Dadurch kann das Gebläse für Instandhaltungsarbeiten problemlos ausgebaut und wieder eingebaut werden, ohne dass die Rohre abmontiert werden müssen.

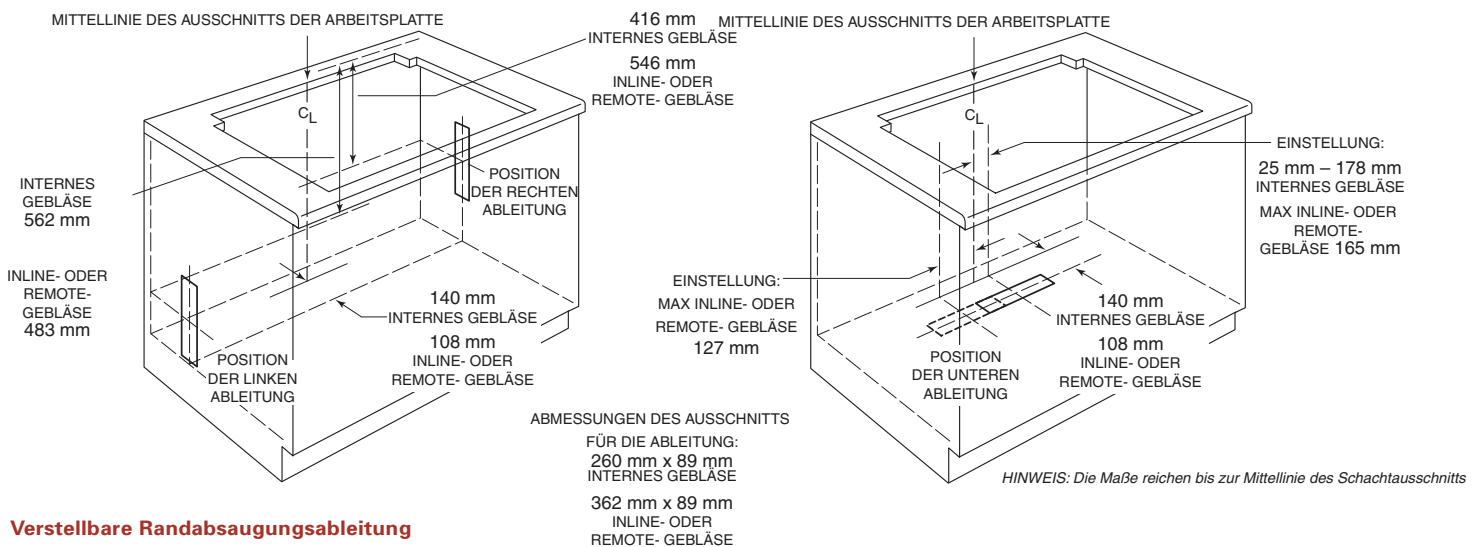
WICHTIGER HINWEIS: Zum Abdichten der Verbindung zwischen Gebläseauslass und Verrohrung Gewebeklebeband verwenden. Das Gewicht der Verrohrung nach Bedarf abstützen, um eine Abdichtung der Verbindungen zu gewährleisten.



VERSTELLBARE ABLEITUNG

Randabsaugungssysteme von Wolf verfügen über eine verstellbare Ableitung, mit der die Verrohrung um Bodenschwellen und sonstige Hindernisse herum geführt werden kann.

Es sind drei unterschiedliche Ableitungspositionen verfügbar, die zur korrekten Ausrichtung auf die Verrohrung seitlich angeglichen werden können. Das Gebläse wird mit nach unten gerichteter Ableitung ausgeliefert. Die Position der Ableitung und die für Ihre Installation am besten geeignete Einstellung entnehmen Sie der Abbildung weiter unten.



Verstellbare Randabsaugungsableitung



VERSTELLEN DER GEBLÄSEABLEITUNG

ABLEITUNG NACH UNTEN VON LINKS NACH RECHTS

Durch Einstellung der Ableitung von links nach rechts wird die Gebläseableitung in der Abwärtsposition gehalten; es ist aber trotzdem noch eine geringe seitliche Einstellung möglich.

Befolgen Sie diese Schritte, wenn die Position der Gebläseableitung von links nach rechts verschoben werden muss, damit die Rohre keine Bodenschwellen, Sanitärinstallationen oder Verdrahtung unter der Vorrichtung behindern. Siehe die Abbildung unten.

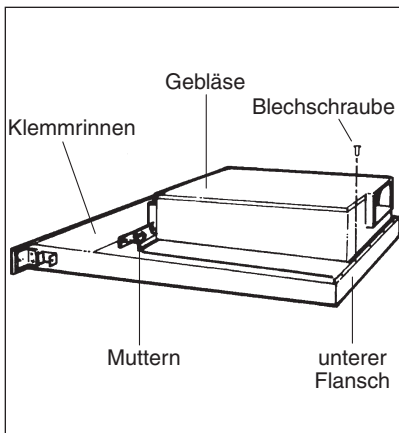
- Die Randabsaugungsbaugruppe kopfüber auf eine flache Arbeitsfläche legen.
- Die 4 Muttern und 2 Klemmrinnen lösen.
- Das Gebläse in die gewünschte Position schieben.
- Alle offenen Stellen mit der mitgelieferten Abdeckplatte verschließen.
- Die Muttern festziehen, um den oberen Teil des Gebläses zu sichern, und Blechschrauben durch den unteren Flansch schrauben, um den unteren Teil des Gebläses zu sichern.

ABLEITUNG NACH UNTEN AUF LINKS ODER RECHTS ÄNDERN

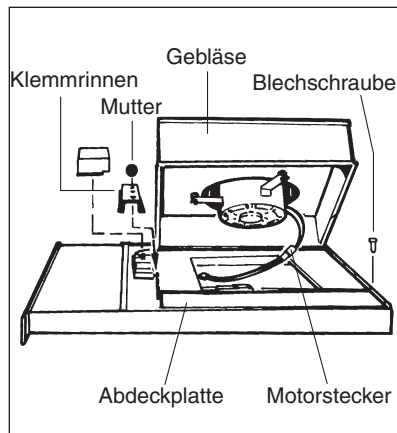
Wird die Ableitung nach unten durch eine Ableitung nach links oder rechts ersetzt, dann wird die Gebläseableitung von der Position nach unten auf eine linke oder rechte Position der Randabsaugungsbaugruppe geändert.

Befolgen Sie diese Schritte, wenn es notwendig ist, das Gebläse auf eine linke oder rechte Ableitungsposition zu drehen. Siehe die Abbildung unten.

- Die Randabsaugungsbaugruppe kopfüber auf eine flache Arbeitsfläche legen.
- Die 4 Muttern und 2 Klemmrinnen entfernen.
- Die Getriebemotorabdeckung abnehmen.
- Das Gebläse vorsichtig hochheben und den Motorstecker nach Bedarf abtrennen. Das Gebläse neu positionieren und den Motorstecker wieder anschließen.
- Alle offenen Stellen mit der mitgelieferten Abdeckplatte verschließen.
- Die Klemmrinnen wieder einbauen und das Gebläse mit den Muttern in der neuen Position befestigen.
- Die Getriebemotorabdeckung wieder einbauen.
- Blechschrauben (nicht im Lieferumfang enthalten) durch den unteren Flansch schrauben, um den unteren Teil des Gebläses zu sichern.



**Einstellung der Gebläseableitung
nach unten**



Linke oder rechte Gebläseableitung

VERDRAHTUNG DES INTERNEN GEBLÄSES

ICBDD30I, ICBDD36I UND ICBDD45I

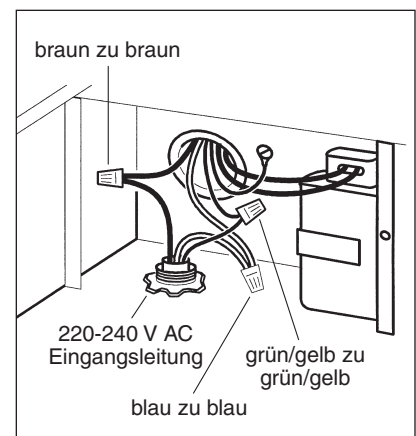
- Einen Standardschaltkasten mit 220-240 V AC und einem dreipoligen, geerdeten Stecker im Schrank oder angrenzenden Schrank montieren. Sicherstellen, dass er sich innerhalb der Reichweite des 2,5 m langen Netzkabels befindet.
- Das entsprechende Netzkabel in den Schrank führen und es am Schaltschrank und an der Steckdose anschließen.
- Das Netzkabel der Randabsaugung in die Steckdose einstecken.

VERDRAHTUNG DES REMOTE-GEBLÄSES

ICBDD30R, ICBDD36R UND ICBDD45R

- Einen Standardschaltkasten mit 220-240 V AC und einem dreipoligen, geerdeten Stecker im Schrank oder angrenzenden Schrank montieren. Sicherstellen, dass er sich innerhalb der Reichweite des 2,5 m langen Netzkabels befindet.
- Das entsprechende Netzkabel in den Schrank führen und es am Schaltschrank und an der Steckdose anschließen.
- Das Remote-Gebläse darf eine Nennleistung von 3,0 A nicht überschreiten.
- Ein zweiadriges Kabel und ein Erdungsstromkabel vom Remote-Gebläse zum Schaltkasten auf der Adapterplatte des Remote-Gebläses führen.
- Die Verdrahtung der Randabsaugung am Netzkabel des Remote-Gebläses anschließen. Braun mit braun, blau mit blau und grün/gelb mit grün/gelb verdrahten. Siehe die Abbildung unten.
- Die Abdeckung des Schaltkastens wieder anbringen.
- Das Netzkabel der Randabsaugung in die Steckdose einstecken.

WICHTIGER HINWEIS: Für die Montage und Installation des Remote-Gebläses beziehen Sie sich auf die Installationsanweisungen für Ihr jeweiliges Gebläse.



Verdrahtungsanschlüsse



FEHLERSUCHE

WICHTIGER HINWEIS: Wenn das Randabsaugungssystem nicht richtig funktioniert, führen Sie zur Fehlersuche folgende Schritte aus:

- Stellen Sie sicher, dass die Randabsaugung mit Strom versorgt wird.
- Prüfen Sie die elektrischen Anschlüsse, um sicherzustellen, dass die Installation richtig abgeschlossen wurde.
- Lesen Sie die Anweisungen zur Fehlersuche in der Bedienungs- und Pflegeanleitung der Randabsaugung von Wolf.
- Wenn die Randabsaugung immer noch nicht funktioniert, wenden Sie sich an ein Wolf-Kundendienstzentrum. Versuchen Sie auf keinen Fall, die Randabsaugung selbst zu reparieren. Wolf ist nicht für Servicearbeiten verantwortlich, die zur Korrektur einer fehlerhaften Installation erforderlich sind.

WENN SERVICE ERFORDERLICH IST

- Halten Sie die in Ihr Randabsaugungssystem integrierte Qualität aufrecht, indem Sie sich an ein von Wolf autorisiertes Kundendienstzentrum wenden.
- Wenden Sie sich zwecks Service in Ihrer Region entweder an Ihren Wolf-Vertrags-händler oder besuchen Sie unsere Website **wolfappliance.com**, um die regionale Vertriebsstelle im jeweiligen Land zu suchen.
- Wenn Sie den Kundendienst anrufen, benötigen Sie die Modell- und Seriennummer Ihrer Randabsaugung. Diese Informationen befinden sich auf dem Typenschild, das über dem Luftfilterkasten vorne auf dem Gerät angebracht ist. Siehe die Abbildung auf Seite 61.

KONTAKTINFORMATIONEN

Website:
wolfappliance.com

Die Informationen und Abbildungen in dieser Anleitung sind das urheberrechtlich geschützte Eigentum der Wolf Appliance, Inc., einem Tochterunternehmen der Sub-Zero, Inc. Weder dieses Handbuch noch darin enthaltene Informationen oder Abbildungen dürfen insgesamt oder teilweise ohne die ausdrückliche schriftliche Genehmigung der Wolf Appliance, Inc., einem Tochterunternehmen der Sub-Zero, Inc., kopiert oder verwendet werden.

©Wolf Appliance, Inc. Alle Rechte vorbehalten.

WOLF APPLIANCE, INC.
PO BOX 44848
MADISON, WI 53744 USA
WOLFAPPLIANCE.COM

812675 / 99044384A 5/2008



WOLF[®]

Free Manuals Download Website

<http://myh66.com>

<http://usermanuals.us>

<http://www.somanuals.com>

<http://www.4manuals.cc>

<http://www.manual-lib.com>

<http://www.404manual.com>

<http://www.luxmanual.com>

<http://aubethermostatmanual.com>

Golf course search by state

<http://golfingnear.com>

Email search by domain

<http://emailbydomain.com>

Auto manuals search

<http://auto.somanuals.com>

TV manuals search

<http://tv.somanuals.com>