



PRO WALL VENTILATION HOODS

INSTALLATION INSTRUCTIONS





CONTACT INFORMATION

**Wolf Customer
Service:**
800-332-9513

Website:
wolfappliance.com

As you follow these instructions, you will notice **WARNING** and **CAUTION** symbols. This blocked information is important for the safe and efficient installation of Wolf equipment. There are two types of potential hazards that may occur during installation.

⚠ CAUTION

signals a situation where minor injury or product damage may occur if you do not follow instructions.

⚠ WARNING

states a hazard that may cause serious injury or death if precautions are not followed.

Another footnote we would like to identify is **IMPORTANT NOTE**: This highlights information that is especially relevant to a problem-free installation.



INSTALLATION REQUIREMENTS

IMPORTANT NOTE: This installation must be completed by a qualified installer or Wolf authorized service center technician.

- **Installer:** Please read the entire Installation Instructions prior to installation. Save these instructions for the local inspector’s reference, then leave them with the homeowner.
- **Homeowner:** Please read and keep these instructions for future reference and be sure to read the entire Use & Care Information prior to use.

Any questions or problems about the installation should be directed to your Wolf dealer or Wolf Appliance Company, Inc. at 800-332-9513. You can also visit our website at wolfappliance.com.

IMPORTANT NOTE: This appliance must be installed in accordance with National Electrical Codes, as well as all state, municipal and local codes. The correct voltage, frequency and amperage must be supplied to the appliance from a dedicated, grounded circuit which is protected by a properly sized circuit breaker or time delay fuse. The proper voltage, frequency, and amperage ratings are listed on the product rating plate.

Record the model and serial numbers before installing the Pro wall ventilation hood. Both numbers are listed on the rating plate, located on the left wall of the hood shell.

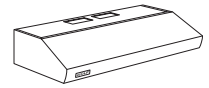
Model Number _____

Serial Number _____

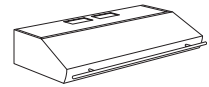
LIST OF MATERIALS

The following is a list of materials shipped with the Wolf Pro wall ventilation hood.

- Stainless steel wall hood
- Transition with backdraft damper (attached inside hood—needs to be removed)
- Decorative stainless steel rail and installation components—(R) model hoods only
- Control knobs—two for low-profile and 24" (610) deep hoods, three for 27" (686) deep hoods
- Filters and grease cups (installed in hood)
- (10) #10 x 2" (51) self-tapping hex head screws
- (10) 10-24 washer nuts
- Installation package (taped to filters)
- Installation Instructions
- Use & Care Information and product registration card
- Wolf logo nameplate



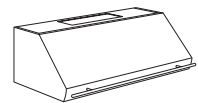
Low-Profile Wall Hood



Low-Profile Wall Hood (R) Rail Option



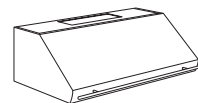
24" (610) Wall Hood



24" (610) Wall Hood (R) Rail Option



27" (686) Wall Hood



27" (686) Wall Hood (R) Rail Option

Dimensions in parentheses are in millimeters unless otherwise specified.

INSTALLATION CONSIDERATIONS

Wolf Pro wall ventilation hoods are recommended for use with all Wolf cooking appliances.

IMPORTANT NOTE: For optimal performance, a Pro 27" (686) deep wall hood is recommended for use with ranges and rangetops that contain a charbroiler or griddle.

- Proper installation is the responsibility of the installer. Product failure due to improper installation is not covered under the Wolf Warranty. Refer to the Wolf Pro Ventilation Hoods Use & Care Information for warranty details, or visit the Contact/Help section of our website, wolfappliance.com.
- Make sure you have the tools and materials necessary for proper installation.
- Warranty service must be performed by a Wolf authorized service center. Wolf is not responsible for service required to correct a faulty installation.

IMPORTANT NOTE: Wolf Pro ventilation hoods are shipped without the blower assembly. Wolf internal, in-line and remote blower assemblies are available, refer to page 20. Use only a Wolf blower with the Pro wall ventilation hood.

IMPORTANT NOTE: Wolf recommends that the Pro wall ventilation hood be installed 30" (762) to 36" (914) above the countertop.

Rail option (R) wall hoods come with a classic stainless steel decorative rail and stand-offs. Optional platinum or brass rails are available to match Wolf dual fuel range bezels. Contact your Wolf dealer for details.

ELECTRICAL REQUIREMENTS

Wolf Pro wall ventilation hoods require a separate, grounded 110/120 V AC, 60 Hz power supply. The service should have its own 15 amp circuit breaker. Locate the electrical supply within the shaded area shown in the Installation Specifications illustration for your specific wall hood on page 6.

You must follow all National Electrical Code regulations. In addition, be aware of local codes and ordinances when installing your service.

DUCT COVER

If you are installing a Wolf duct cover with the wall hood, refer to instructions on page 21 before installing the hood.

RECIRCULATING KIT

If you are installing the accessory recirculating kit, refer to the instructions included with the kit before installing the hood.

ACCESSORIES

Optional accessories are available through your Wolf dealer. To obtain local dealer information, visit the Locator section of our website, wolfappliance.com.

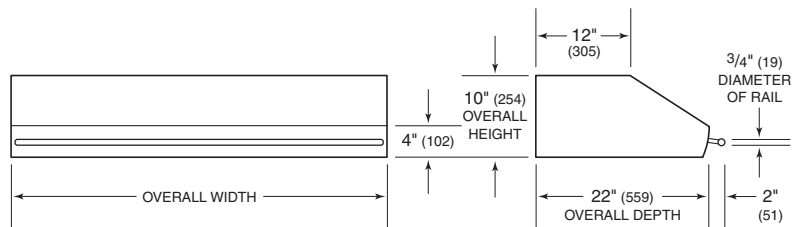


OVERALL DIMENSIONS

LOW-PROFILE WALL HOODS

Overall Widths	30" (762), 36" (914), 42" (1067) and 48" (1219)
Overall Height	10" (254)
Overall Depth (excluding rail)	22" (559)
Shipping Weight (shell only)	39–55 lbs (18–25 kg)

Dimensions may vary to ±1/8" (3).

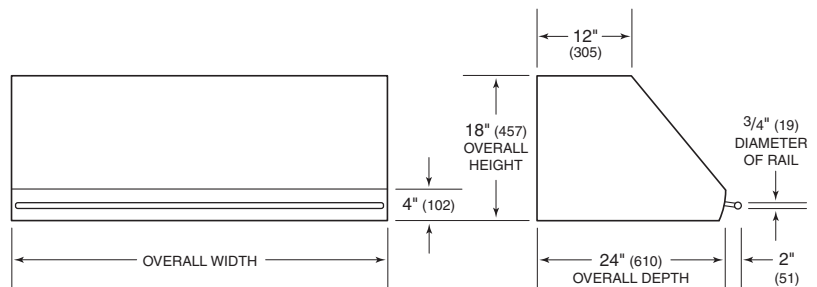


Low Profile Wall Hood
shown with (R) rail option

24" (610) DEEP WALL HOODS

Overall Widths	30" (762), 36" (914), 42" (1067), 48" (1219), 54" (1372), 60" (1524) and 66" (1676)
Overall Height	18" (457)
Overall Depth (excluding rail)	24" (610)
Shipping Weight (shell only)	67–126 lbs (30–57 kg)

Dimensions may vary to ±1/8" (3).

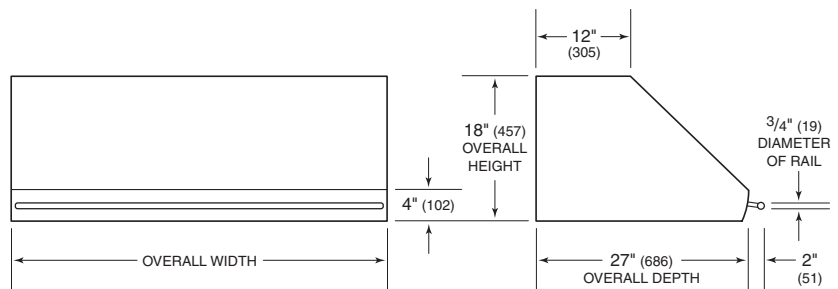


24" (610) Deep Wall Hood
shown with (R) rail option

27" (686) DEEP WALL HOODS

Overall Widths	30" (762), 36" (914), 42" (1067), 48" (1219), 54" (1372), 60" (1524) and 66" (1676)
Overall Height	18" (457)
Overall Depth (excluding rail)	27" (686)
Shipping Weight (shell only)	69–128 lbs (31–58 kg)

Dimensions may vary to ±1/8" (3).



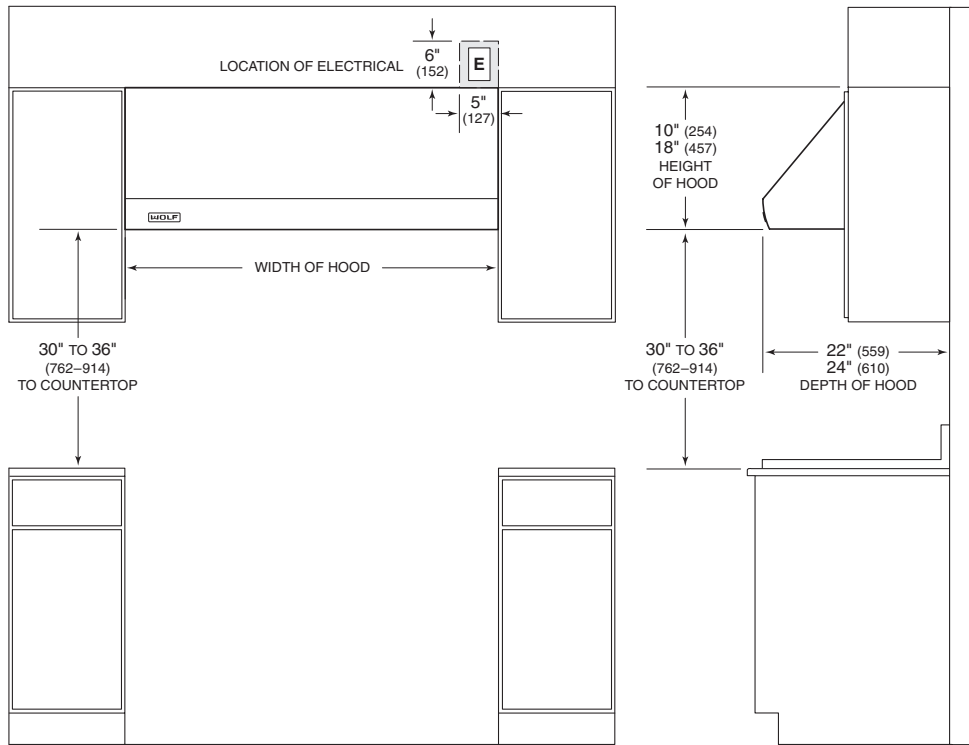
27" (686) Deep Wall Hood
shown with (R) rail option

Dimensions in parentheses are in millimeters unless otherwise specified.



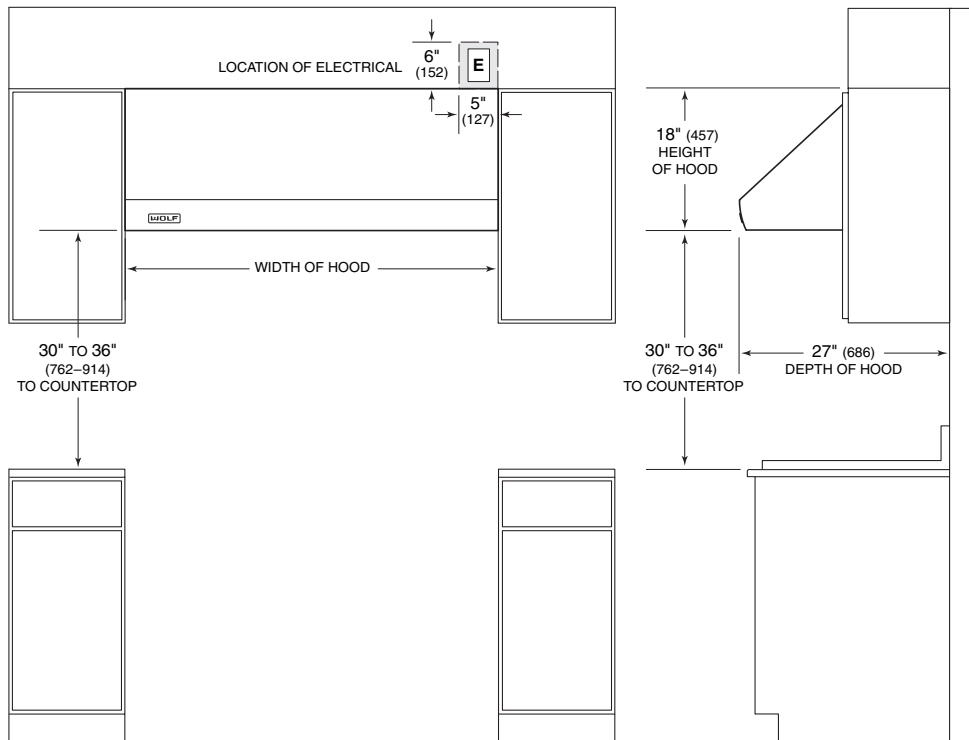
INSTALLATION SPECIFICATIONS

Low-Profile and 24" (610) Deep Wall Hoods



NOTE: Low-profile and 24" (610) deep wall hoods have a vertical or horizontal discharge; discharge direction varies with blower model.

27" (686) Deep Wall Hoods

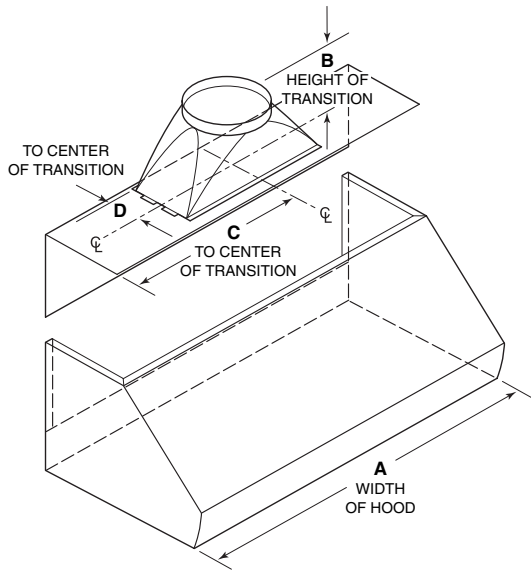


NOTE: 27" (686) deep wall hoods are vertical discharge only.



INSTALLATION SPECIFICATIONS

The following chart provides dimensions specific to each wall hood model. These dimensions are critical for proper installation. Also refer to the illustration below.



Low-Profile Wall Hoods

Model	(A)	(B)	(C)	(D)
W302210I	30" (762)	7 1/2" (191)	15" (381)	4 11/16" (119)
W362210I	36" (914)	7 1/2" (191)	18" (457)	4 11/16" (119)
W362210	36" (914)	7 1/2" (191)	18" (457)	4 11/16" (119)
W422210	42" (1067)	7 1/2" (191)	21" (533)	4 11/16" (119)
W482210	48" (1219)	7 1/2" (191)	24" (610)	4 11/16" (119)

24" (610) Deep Wall Hoods

Model	(A)	(B)	(C)	(D)
W302418	30" (762)	9 1/2" (241)	15" (381)	5 13/16" (148)
W362418	36" (914)	9 1/2" (241)	18" (457)	5 13/16" (148)
W422418	42" (1067)	9 1/2" (241)	21" (533)	5 13/16" (148)
W482418	48" (1219)	9 1/2" (241)	24" (610)	5 13/16" (148)
W542418	54" (1372)	9 1/2" (241)	27" (686)	5 13/16" (148)
W602418	60" (1524)	9 1/2" (241)	30" (762)	5 13/16" (148)
W662418	66" (1676)	9 1/2" (241)	33" (838)	5 13/16" (148)

27" (686) Deep Wall Hoods

Model	(A)	(B)	(C)	(D)
W302718	30" (762)	9 1/2" (241)	15" (381)	5 13/16" (148)
W362718	36" (914)	9 1/2" (241)	18" (457)	5 13/16" (148)
W422718	42" (1067)	9 1/2" (241)	21" (533)	5 13/16" (148)
W482718	48" (1219)	9 1/2" (241)	24" (610)	5 13/16" (148)
W542718	54" (1372)	9 1/2" (241)	27" (686)	5 13/16" (148)
W602718	60" (1524)	9 1/2" (241)	30" (762)	5 13/16" (148)
W662718	66" (1676)	9 1/2" (241)	33" (838)	5 13/16" (148)

Letters correspond to those in the illustration.

Dimensions in parentheses are in millimeters unless otherwise specified.

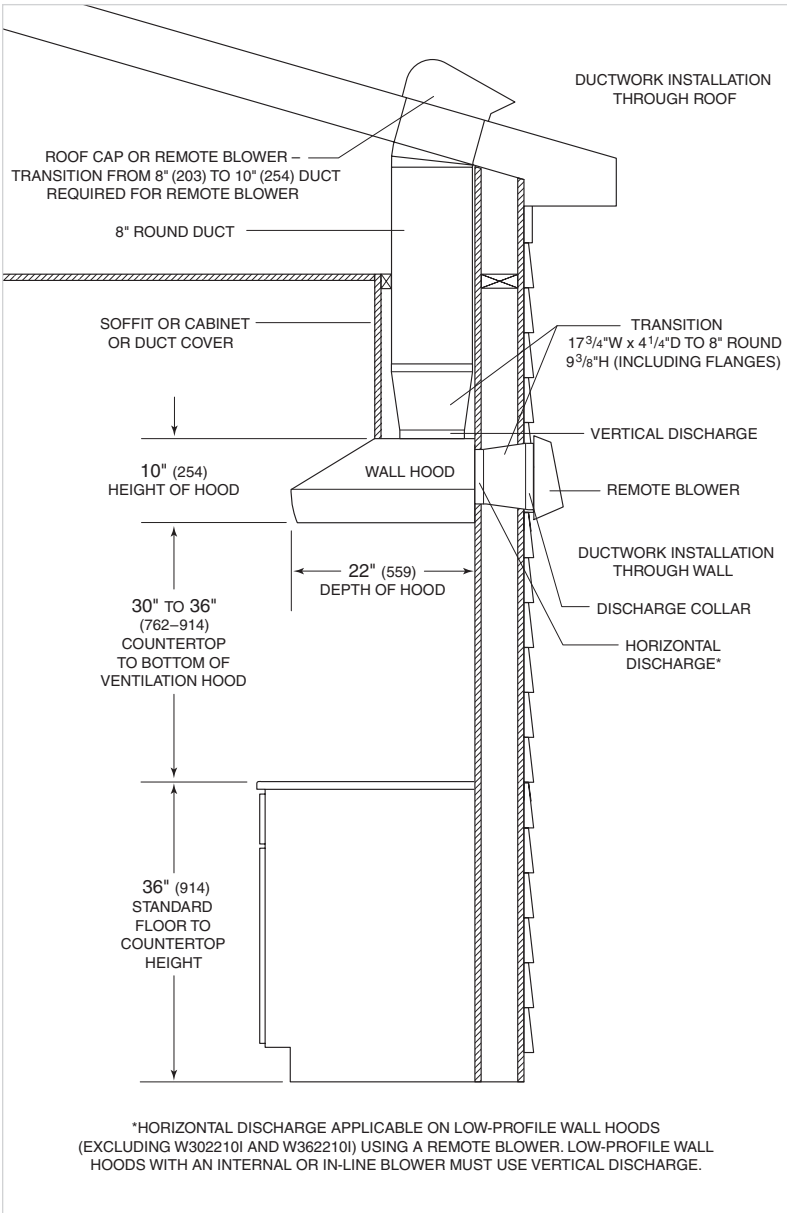


LOW-PROFILE AND 24" (610) HOODS

STEP 1: INSTALL DUCTWORK

⚠ WARNING

To reduce the risk of fire, use only metal ductwork.



Ducting options for low-profile wall hoods

IMPORTANT NOTE: Wolf recommends that the Pro wall ventilation hood be installed 30" (762) to 36" (914) above the countertop.

IMPORTANT NOTE: Consult a qualified HVAC Engineer for specific ducting applications.

IMPORTANT NOTE: All Wolf Pro wall hoods must exhaust to the outdoors except when used with the accessory recirculating kit. Always use metal ducting. Do not use flex ducting.

Decide where the ductwork will run between the hood and the outside. A straight, short duct run will allow the hood to perform more efficiently. Limit the number of elbows and transitions to as few as possible. Long duct runs, elbows and transitions will reduce the performance of the hood. Wolf recommends the maximum linear duct run be no greater than 50' (15 m). The low-profile and 24" (610) deep wall hoods have an adjustable discharge that can run vertically or horizontally.

Horizontal discharge is only applicable on low-profile wall hoods (excluding W302210I and W362210I) used with a remote blower. In-line blowers and WBLOWER-60INT are not for use in horizontal discharge applications with a low-profile wall hood.

Horizontal discharge is applicable on 24" (610) deep wall hoods used with WBLOWER-60INT, WBLOWER-120INT or any Wolf remote blower. In-line blowers and WBLOWER-90INT are not for use in horizontal discharge applications.

IMPORTANT NOTE: There is a possibility of noise issues if there is a short duct run coupled with a remote blower.



LOW-PROFILE AND 24" (610) HOODS

Always install a roof or wall cap if you are not installing a remote blower. Connect 8" (203) round metal ductwork for low-profile hoods or 10" (254) round metal ductwork for 24" (610) deep hoods to the cap and work back towards the hood. Use duct sealing tape on joints between ductwork sections.

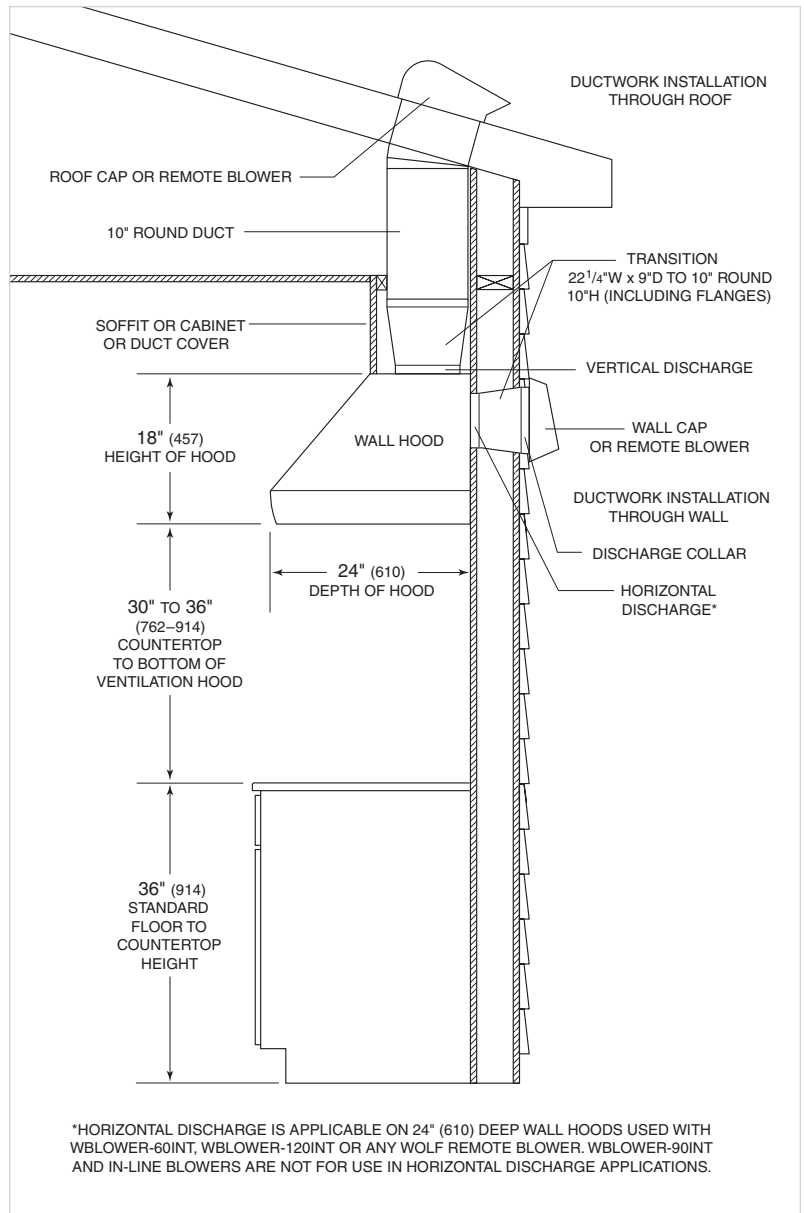
IMPORTANT NOTE: Do not use ducting smaller than 8" (203).

Wolf Pro wall hoods come standard with a backdraft damper included in the transition assembly. Local codes may require the use of an additional backdraft damper. Contact your local HVAC professional for specific requirements. In cold weather installations, a backdraft damper is necessary to minimize the backflow of cold air into the room.

Local building codes may require the use of make-up air. Consult your local HVAC professional for specific requirements in your area.

⚠ CAUTION

To reduce the risk of fire and electric shock, install this ventilation hood only with a blower manufactured by Wolf. Blower model numbers are listed on page 20.



Ducting options for 24" (610) deep wall hoods

Dimensions in parentheses are in millimeters unless otherwise specified.



LOW-PROFILE AND 24" (610) HOODS

STEP 2: WALL PREPARATION

⚠ WARNING

Framing must be tied together and to ceiling joists to provide enough structural strength to support the weight of the hood and internal blower, if applicable.

Refer to the illustrations below for the location of mounting holes for the low-profile and 24" (610) deep wall hoods.

IMPORTANT NOTE: Wolf recommends installing the internal blower to the rough-in plate prior to mounting the hood.

- If you are installing WBLOWER-60INT, WBLOWER-90INT or WBLOWER-120INT, refer to the internal blower information on page 17 and follow installation instructions provided with the blower.
- The hood assembly is shipped with the rough-in plate/transition attached. The transition is shipped upside down in the top of the hood. It must be removed and reinstalled in the proper position.
- Remove the filters by pushing each filter up at the angle it is placed in, and rotate down. Remove the center filter first. Then take out the grease cups placed on the bottom edge of the hood coinciding with the bottom edge of the filters. Gloves should be worn to provide the proper grip when removing filters.
- Detach the rough-in plate/transition assembly from the hood by removing the screws from the top and back of the assembly. Refer to the illustration below.

ACCESSORIES

Optional accessories are available through your Wolf dealer. To obtain local dealer information, visit the **Locator** section of our website, wolfappliance.com.

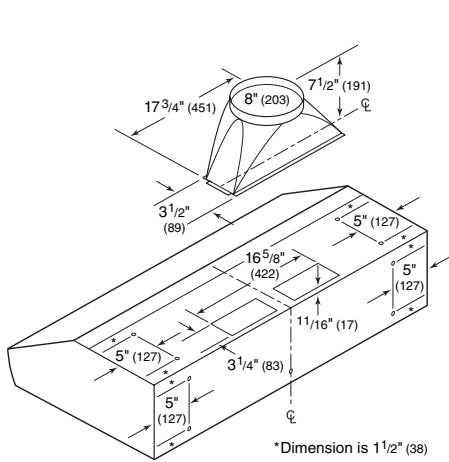
- Construct the wood wall framing flush with the wall studs and centered in the location that the hood will be mounted. Use the rough-in plate shipped with hood to determine the location of the framing.
- After the wall surface is finished, secure the hood assembly to the wall.

⚠ CAUTION

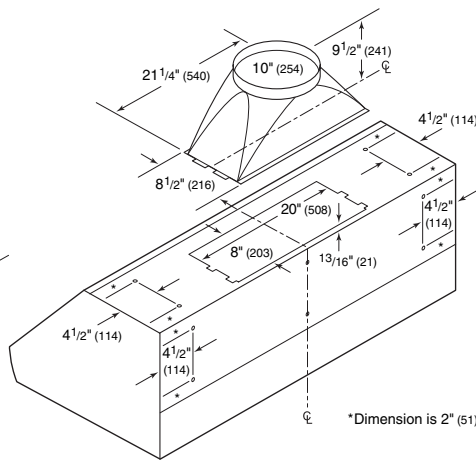
If wall framing is not available, wall anchors must be used.

STEP 3: HOOD PREPARATION

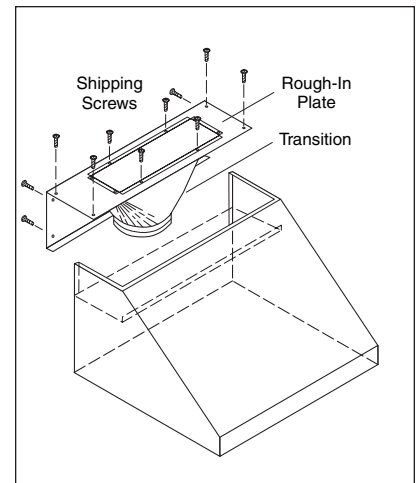
IMPORTANT NOTE: If a duct cover is to be used, follow instructions on page 21 before installing the wall hood. If you are installing a recirculating kit, refer to instructions included with the kit before installing the wall hood.



Mounting holes for low-profile hoods



Mounting holes for 24" (610) hoods



Rough-in plate/transition assembly



LOW-PROFILE AND 24" (610) HOODS

- Separate the transition from the rough-in plate by removing the four shipping screws. **Do not discard the screws;** they will be needed to reinstall the transition to the rough-in plate.
- Determine the direction of discharge for your installation and rotate the back panel accordingly. The wall hood back panel has been designed to accommodate a vertical or horizontal discharge.

Horizontal discharge is only applicable on low-profile wall hoods (excluding W302210I and W362210I) used with a remote blower.

Horizontal discharge is applicable on 24" (610) deep wall hoods used with WBLOWER-60INT, WBLOWER-120INT or any Wolf remote blower.

In-line blowers and WBLOWER-90INT are not for use in horizontal discharge applications.

- Use the rough-in plate assembly to determine the location of wall studs. Position the rough-in plate in the desired location and mark the predrilled mounting holes on the wall.
- For horizontal discharge, the electrical box will need to be moved so that it is in the upper right-hand corner of the rough-in plate when attached to the wall.

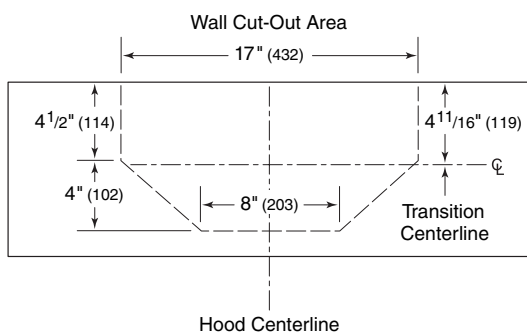
- Horizontal discharge requires a wall cut-out. Refer to the illustrations below. The location of the cut-out is determined by the installation height of the hood.
- If you are installing an in-line or remote blower, drill a $\frac{7}{8}$ " (22) hole through the wood framing for the conduit. Refer to the in-line and remote blower information on pages 18–19 and follow installation instructions provided with the blower.

IMPORTANT NOTE: Do not run wiring for the remote blower through the ductwork.

STEP 4: REATTACH ROUGH-IN PLATE

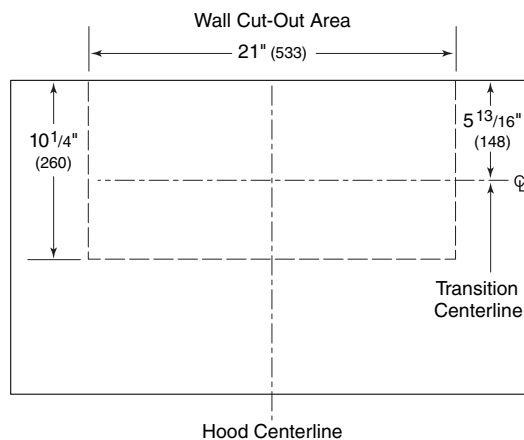
- Reattach the transition to the rough-in plate using the four shipping screws removed previously.
- Position the studs on the rough-in plate into the slots on the hood. Use the hex head nuts (included with the hood) to secure the hood assembly to the rough-in plate.
- Reinstall the shipping screws removed previously from the top and back of the rough-in plate.

IMPORTANT NOTE: If additional support is required, drill supplementary mounting holes in the rough-in plate and use these holes to attach the hood assembly to the wall framing.



Wall cut-out for low-profile hoods – horizontal discharge

Dimensions in parentheses are in millimeters unless otherwise specified.



Wall cut-out for 24" (610) deep hoods – horizontal discharge

LOW-PROFILE AND 24" (610) HOODS**STEP 5: INSTALL THE HOOD**

IMPORTANT NOTE: If a backsplash is to be used, it should be installed before the wall hood is mounted.

- Align the hood assembly with the marked location.
- Install the #10 x 2" (59) screws (included with the hood) through the mounting holes on the rough-in plate. Verify that the screws engage the wall studs or framing. If not, wall anchors must be used.
- Attach the transition to existing ductwork with sheet metal screws and duct sealing tape.

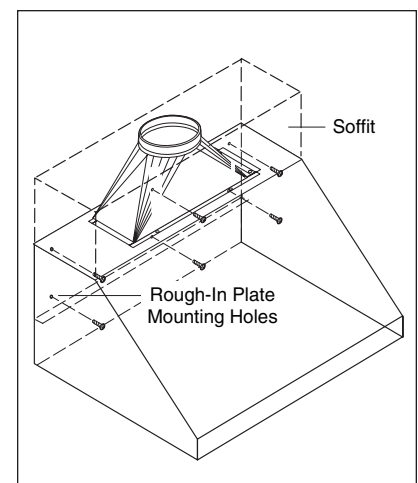
⚠ CAUTION

Due to the weight of the hood, be sure to have adequate manpower for installation.

COMPLETE THE INSTALLATION

To complete the installation for the low-profile and 24" (610) deep wall hoods, follow Step 6: Install Wiring and refer to information on pages 17–19 for internal, in-line and remote blowers.

Follow instructions to install the filters and grease cups on page 21. If you will be attaching the Wolf logo nameplate, follow the steps on page 22.

**Hood installation**



27" (686) DEEP WALL HOODS

STEP 1: INSTALL DUCTWORK

⚠ WARNING
To reduce the risk of fire, use only metal ductwork.

IMPORTANT NOTE: Wolf recommends that the Pro wall ventilation hood be installed 30" (762) to 36" (914) above the countertop.

IMPORTANT NOTE: Consult a qualified HVAC Engineer for specific ducting applications.

IMPORTANT NOTE: All Wolf Pro 27" (686) deep wall hoods must exhaust to the outdoors. Always use metal ducting. Do not use flex ducting.

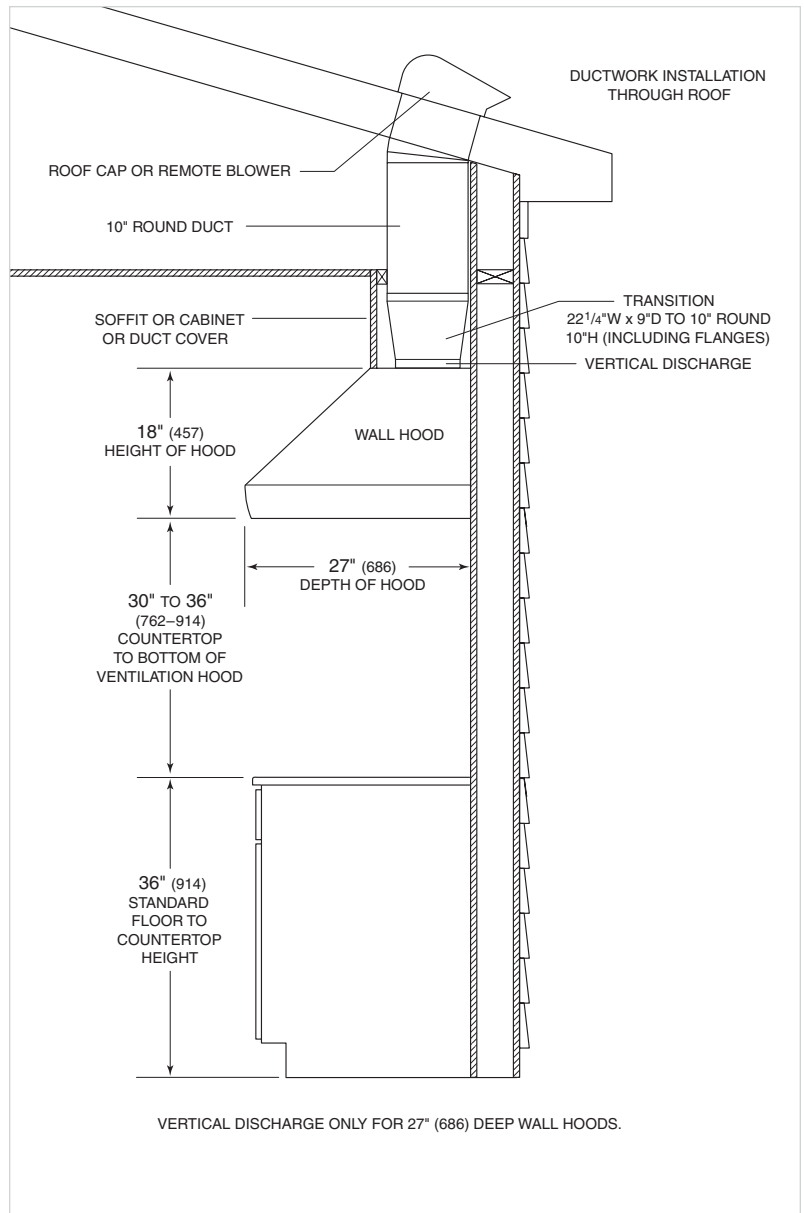
Decide where the ductwork will run between the hood and the outside. A straight, short duct run will allow the hood to perform more efficiently. Limit the number of elbows and transitions to as few as possible. Long duct runs, elbows and transitions will reduce the performance of the hood. Wolf recommends the maximum linear duct run be no greater than 50' (15 m). The 27" (686) deep wall hood is vertical discharge only.

Always install a roof or wall cap if you are not installing a remote blower. Connect 10" (254) round metal ductwork to the cap and work back towards the hood. Use duct sealing tape on joints between ductwork sections.

IMPORTANT NOTE: Do not use ducting smaller than 10" (254) round.

Pro wall hoods come standard with a backdraft damper included in the transition assembly. In cold weather installations a backdraft damper is necessary to minimize the backflow of cold air into the room.

Local building codes may require the use of make-up air. Consult your local HVAC professional for specific requirements in your area.



Ducting options for 27" (686) deep wall hoods

⚠ CAUTION
To reduce the risk of fire and electric shock, install this ventilation hood only with a blower manufactured by Wolf. Blower model numbers are listed on page 20.

Dimensions in parentheses are in millimeters unless otherwise specified.



27" (686) DEEP WALL HOODS

STEP 2: WALL PREPARATION

⚠ WARNING

Framing must be tied together and to ceiling joists to provide enough structural strength to support the weight of the hood and internal blower, if applicable.

- Construct the wood wall framing flush with the wall studs and centered in the location that the hood will be mounted. Use the rough-in plate shipped with hood to determine the location of the framing.
- After the wall surface is finished, secure the rough-in plate to the wall surface.

⚠ CAUTION

If wall framing is not available, wall anchors must be used.

STEP 3: HOOD PREPARATION

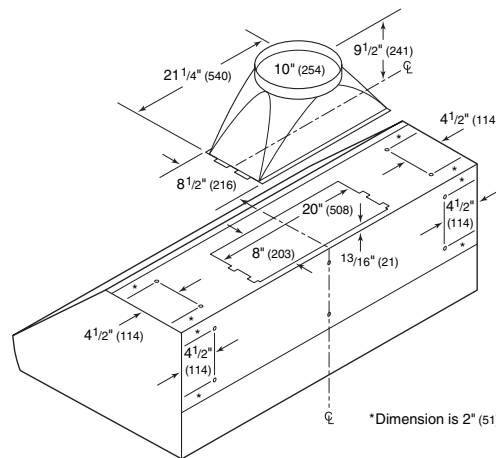
IMPORTANT NOTE: If a duct cover is to be used, follow instructions on page 21 before installing the wall hood.

Refer to the illustration below for the location of mounting holes for the 27" (686) wall hood.

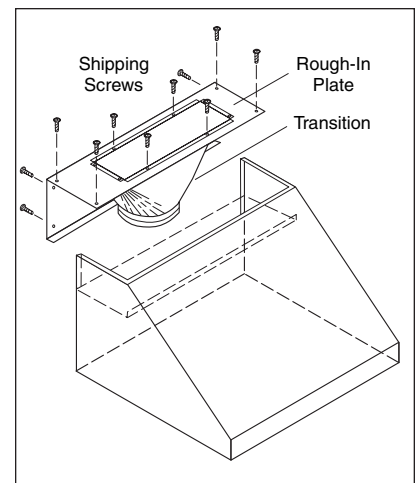
- The hood assembly is shipped with the rough-in plate/transition attached. The transition is shipped upside down in the top of the hood. It must be removed and reinstalled in the proper position.
- Remove the filters by pushing each filter up at the angle it is placed in, and rotate down. Remove the center filter first. Then take out the grease cups placed on the bottom edge of the hood coinciding with the bottom edge of the filters. Gloves should be worn to provide the proper grip when removing filters.
- Detach the rough-in plate/transition assembly from the hood by removing the screws on the top and back of the assembly.
- Separate the transition from the rough-in plate by removing the four shipping screws. **Do not** discard the screws, they will be needed to reinstall the transition to the rough-in plate. Refer to the illustration below.
- Reattach the transition to the rough-in plate using the four shipping screws removed previously.
- Attach the transition to existing ductwork with sheet metal screws and duct sealing tape.

ACCESSORIES

Optional accessories are available through your Wolf dealer. To obtain local dealer information, visit the Locator section of our website, wolfappliance.com.



Mounting holes for 27" (686) hoods



Rough-in plate installation



27" (686) DEEP WALL HOODS

- If you are installing WBLOWER-90INT or WBLOWER-120INT, refer to the internal blower information on page 17 and follow installation instructions provided with the blower.
- If you are installing an in-line or remote blower, drill a 7/8" (22) hole through the wood framing for the conduit. Refer to the in-line and remote blower information on pages 18–19 and follow installation instructions provided with the blower.

IMPORTANT NOTE: Do not run wiring for the remote blower through the ductwork.

STEP 4: INSTALL ROUGH-IN PLATE

- Use the rough-in plate assembly to determine the location of wall framing.
- Install the #10 x 1" (25) screws (included with the hood) through the rough-in plate into the wall framing.

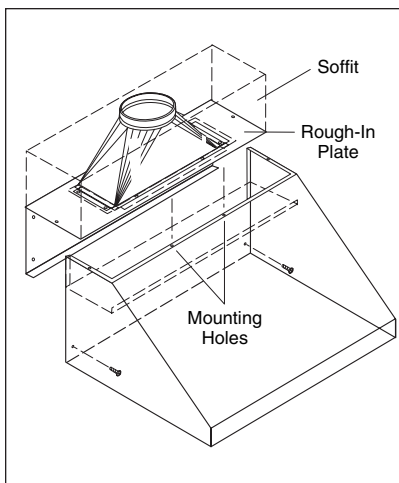
IMPORTANT NOTE: If additional support is required for the hood, drill supplementary mounting holes in the rough-in plate and use these holes to attach the hood assembly to the wall framing.

STEP 5: INSTALL THE HOOD

IMPORTANT NOTE: If a backsplash is to be used, it should be installed before the wall hood is mounted.

- Align both ends of the hood assembly with the ends of the rough-in plate. Refer to the illustration below.
- Insert the back edges of the hood assembly into the rough-in plate and push the hood assembly toward the wall.
- Place the studs on the rough-in plate into the slots on the hood. Use the hex head nuts (included with the hood) to secure the hood assembly to the rough-in plate.
- Install the remaining #10 x 2" (51) screws (included with the hood) in the lower section of the hood. Verify that the screws engage the wall studs or framing. If not, wall anchors must be used.

⚠ CAUTION
 Due to the weight of the hood, be sure to have adequate manpower for installation.



Hood installation

Dimensions in parentheses are in millimeters unless otherwise specified.



PRO WALL VENTILATION HOODS

STEP 6: INSTALL WIRING

IMPORTANT NOTE

You must follow all National Electrical Code regulations. In addition, be aware of local codes and ordinances when installing your service.

⚠ WARNING

This ventilation hood must be properly grounded. This unit should be installed by a qualified electrician in accordance with all applicable national and local electrical codes.

⚠ WARNING

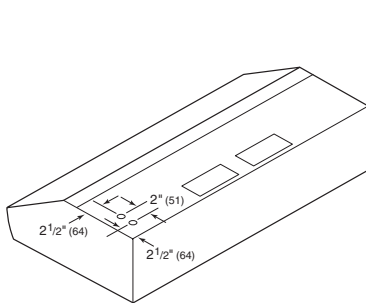
Before servicing or cleaning unit, switch power off at service panel and lock the service disconnecting means to prevent power from being switched on accidentally. When the service disconnecting means cannot be locked, securely fasten a prominent warning device, such as a tag, to the service panel.

- Remove the electrical box cover from the rough-in plate. Connect black wire to power supply black wire, white wire to power supply white wire and green wire to green wire or bare wire.
- Place all wiring connections inside the electrical box and reinstall on the rough-in plate in the upper right-hand corner. Make sure that the wires are secure and that no wires are pinched between the cover and box.

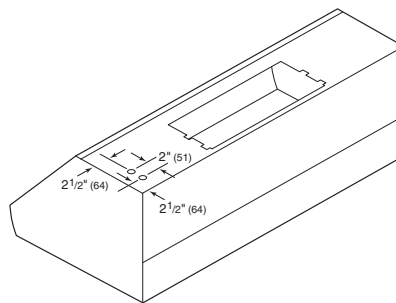
⚠ CAUTION

Do not remove the control knob bezel to access hood wiring; this will damage the bezel assembly.

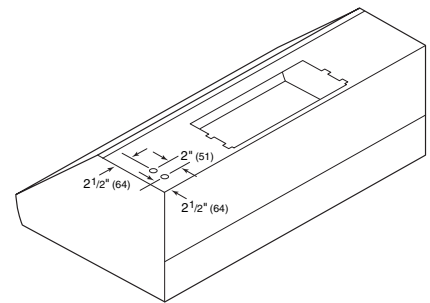
- Run a 120 V AC, 15 amp circuit power cable from the service panel to the electrical box in the rough-in plate.
- Remove the knockout and install the conduit connector on the rough-in plate hole. Refer to the illustrations below for the wiring location of your specific wall hood.
- Insert the conduit through the hole on top of the rough-in plate to the electrical box.



Low-profile hoods wiring location



24" (610) deep hoods wiring location



27" (686) deep hoods wiring location



INTERNAL BLOWERS

IMPORTANT NOTE: Refer to the specific installation instructions provided with each internal blower for additional mounting and wiring instructions.

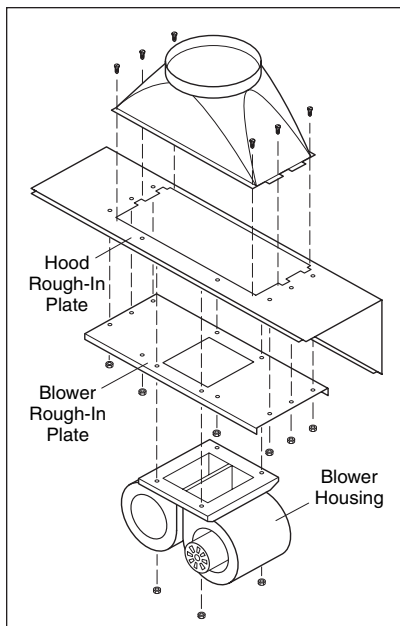
IMPORTANT NOTE: Use wire connectors or wire nuts approved by UL or C/UL.

IMPORTANT NOTE: Wolf recommends installing the internal blower to the rough-in plate assembly prior to installing the hood to the wall framing.

INTERNAL BLOWER INSTALLATION

- Assemble the blower housing to the blower rough-in plate. Follow installation instructions included with the blower assembly for proper installation.
- Once the blower is mounted to the blower rough-in plate, attach the blower assembly to the hood rough-in plate. To attach, slide the blower rough-in plate over the weld studs and secure with eight nuts (included with the blower). Refer to the illustration below.
- Verify that the blower discharge aligns with the discharge cut-out in the back panel of the hood.
- Install the hood rough-in plate with blower assembly to the wall. Secure the power cord(s) without damaging or pinching while installing the hood shell.
- For low-profile and 24" (610) wall hoods, follow hood installation instructions on page 8. For 27" (686) wall hoods, follow hood installation instructions on page 13.
- Once the hood installation is complete, plug the blower power cord(s) into receptacle(s) located near the center of the hood shell. Use the clips on the interior of the hood to keep excess power cord away from moving parts.

IMPORTANT NOTE: Before turning the power on to the ventilation hood, make sure the blower is off.



Internal blower installation

Dimensions in parentheses are in millimeters unless otherwise specified.



IN-LINE AND REMOTE BLOWERS

BLOWER INSTALLATION

IMPORTANT NOTE: Refer to the specific installation instructions provided with each blower for additional mounting instructions.

Locate the blower so that the length of the duct run and number of elbows and transitions are kept to a minimum. Wolf recommends the maximum linear duct run be no greater than 50' (15 m).

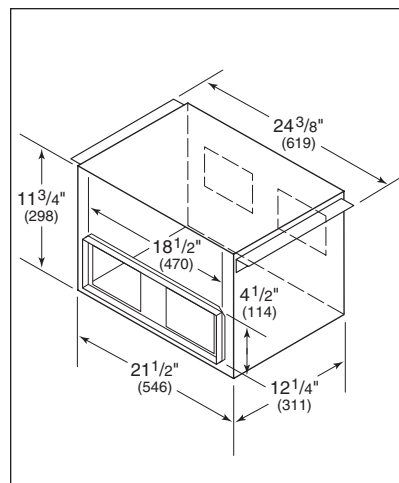
If possible, remote blowers should be located between wall studs or roof rafters. Avoid pipes, wires or other ductwork that may be running through the wall.

Be sure that there is enough space for any transitions that may be needed between the blower and the connecting ductwork. For best performance, locate transitions nearest the blower.

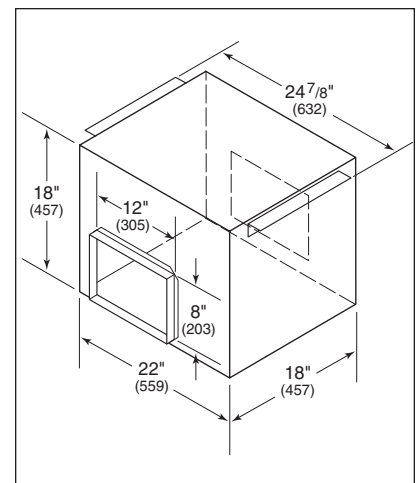
Refer to the illustrations below and on the following page for overall dimensions of Wolf in-line and remote blowers. Also refer to the specific installation instructions provided with each remote blower to verify cut-out dimensions.

ACCESSORIES

Optional accessories are available through your Wolf dealer. To obtain local dealer information, visit the Locator section of our website, wolfappliance.com.



Dimensions for BLOWER-60IL



Dimensions for BLOWER-110IL



IN-LINE AND REMOTE BLOWERS

BLOWER WIRING

IMPORTANT NOTE: Refer to the specific installation instructions provided with each blower for additional wiring instructions.

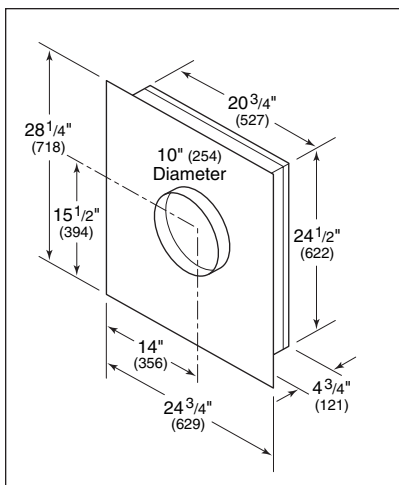
- Follow wiring instructions at the blower as outlined in the specific installation instructions provided with each blower. Black (L1) to black, white (neutral) to white, or white to blue, or white to brown (depending on model) and green to grounding screw. Run blower cable (ROMEX) to the hood.
- Insert 6" (152) of ROMEX cable through the knockout opening and into the electrical box on the rough-in plate of the hood. Secure the cable to the electrical box with an appropriate connector.
- Locate the cord assembly provided with the blower. The cord assembly has two leads, black (L1) and white (neutral). Connect these leads to the leads from the blower, black to black and white to white.
- Connect **all** green and bare wires together to the ground screw in the electrical box.

- Plug the cord assembly into the receptacle located near the center of the hood shell. Use the clips on the interior of the hood to keep excess power cord away from moving parts.
- Reinstall the electrical box cover and screws in the upper right-hand corner of the hood. Make sure that all wires are secure and that no wires are pinched between the cover and box.

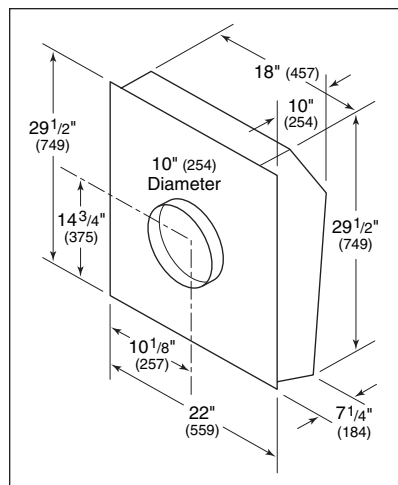
IMPORTANT NOTE: Before turning the power on to the ventilation hood, make sure the blower is off.

⚠ WARNING

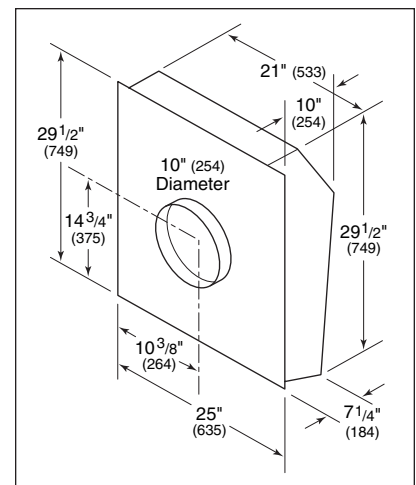
When making electrical connections, make sure the electrical power is turned off at the power source or circuit breaker before proceeding.



Dimensions for BLOWER-90REM



Dimensions for BLOWER-120REM



Dimensions for BLOWER-150REM

Dimensions in parentheses are in millimeters unless otherwise specified.

BLOWER ASSEMBLIES

Wolf Pro wall ventilation hoods are shipped without the blower assembly. Wolf internal, in-line and remote blower assemblies are available as sales accessories through your Wolf dealer.

IMPORTANT NOTE: Blower options vary with the cooking surface. Use only a Wolf blower with the Pro wall ventilation hood.

Refer to the Wolf Design Guide for Pro ventilation recommendations. You can also visit our website at wolfappliance.com.

INTERNAL BLOWERS

- **(805347)** – 600 CFM internal blower included with Models W302210I and W362210I.
- **WBLOWER-60INT (807614)** – 600 CFM internal blower for low-profile wall hoods (except Models W302210I and W362210I), and 24" (610) and 27" (686) deep wall hoods; 30" (762), 36" (914) and 42" (1067) wide models.
- **WBLOWER-90INT (805086)** – 900 CFM internal blower for 24" (610) and 27" (686) deep wall hoods; 30" (762), 36" (914) and 42" (1067) wide models.
- **WBLOWER-120INT (804702)** – 1200 CFM internal blower for 24" (610) and 27" (686) deep wall hoods; 48" (1219), 54" (1372), 60" (1524) and 66" (1676) wide models.

IN-LINE BLOWERS

- **BLOWER-60IL (808189)** – 600 CFM in-line blower for low-profile wall hoods (except Models W302210I and W362210I), and 24" (610) and 27" (686) deep wall hoods, Models W302418 and W302718.
- **BLOWER-110IL (808190)** – 1100 CFM in-line blower for all 24" (610) and 27" (686) deep wall hoods.

REMOTE BLOWERS

- **BLOWER-60REM (801640)** – 600 CFM remote blower for low-profile wall hoods (except Models W302210I and W362210I), and Models W302418 and W302718.
- **BLOWER-90REM (801641)** – 900 CFM remote blower for low-profile wall hoods (except Models W302210I and W362210I), and 24" (610) and 27" (686) deep wall hoods; 30" (762), 36" (914), 42" (1067), 48" (1219) and 54" (1372) wide models.
- **BLOWER-120REM (801642)** – 1200 CFM remote blower for all 24" (610) and 27" (686) deep wall hoods.
- **BLOWER-150REM (804701)** – 1500 CFM remote blower for all 24" (610) and 27" (686) deep wall hoods.

RECIRCULATING KITS

- **RECIRC30 (808223)** – Must be used with WBLOWER-60INT (807614). Blower included with wall hood Model W302210I. Kit can be installed on Models W302210I and W302418.
- **RECIRC36 (808224)** – Must be used with WBLOWER-60INT (807614). Blower included with wall hood Model W362210I. Kit can be installed on Models W362210I, W362210 and W362418.



DUCT COVER INSTALLATION

INSTALL FILTERS / GREASE CUPS

⚠ CAUTION
Installing a duct cover assembly will impact all aspects of the hood installation including hood location, ducting, electrical placement and the mounting surface.

IMPORTANT NOTE: If a duct cover is to be used, follow these instructions before installing the wall hood.

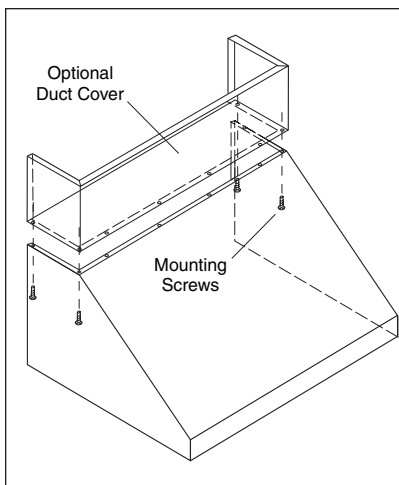
- Attach the duct cover from the inside of the hood through the filter opening using the screws provided.
- Leave screws partially loose until all screws are installed. Check alignment of the duct cover with the hood and tighten the four corner screws to secure the duct cover. Tighten all remaining screws.
- For low-profile and 24" (610) wall hoods follow hood installation instructions on page 8. For 27" (686) wall hoods follow hood installation instructions on page 13.

Duct covers 6" (152) and 12" (305) high in widths to match all wall hoods are available through your Wolf dealer. To obtain local dealer information, visit the Locator section of our website, wolfappliance.com.

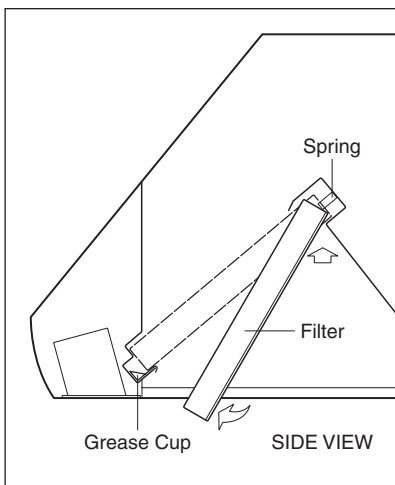
- Remove all packaging material from the filters and grease cups.
- Slide the grease cups along the bottom edge of the hood so that the lip of the grease cup overhangs slightly.
- Install the filters. Orient each filter with lines running vertically. Position the top edge of the filter as shown in the illustration below. While pressing up against the spring, rotate the bottom edge of the filter into position next to the grease cup. Gloves should be worn to provide proper grip.

ACCESSORIES

Optional accessories are available through your Wolf dealer. To obtain local dealer information, visit the Locator section of our website, wolfappliance.com.



Duct cover installation



Filter and grease cup installation

Dimensions in parentheses are in millimeters unless otherwise specified.

CONTACT
INFORMATION

**Wolf Customer
Service:**
800-332-9513

Website:
wolfappliance.com

NAMEPLATE INSTALLATION

The Wolf logo nameplate does not come installed on the hood since there are various locations that the nameplate can be attached. Also, some customers prefer not to have a nameplate on their hood.

A template for positioning the Wolf logo nameplate in a standard location is included on the following page. Follow these steps to install the nameplate:

- Decide on the location for the nameplate.
- Clean the mounting area with rubbing alcohol.
- If desired, cut out the template from the following page. Fold the template, locate placement on hood and tape to the hood surface. Check alignment and adjust if necessary.
- Remove backing paper from the nameplate.
- Position the nameplate in the template cut-out and press into place.
- Remove the template and any tape residue.

TROUBLESHOOTING

IMPORTANT NOTE: If the Pro wall ventilation hood does not operate properly, follow these troubleshooting steps:

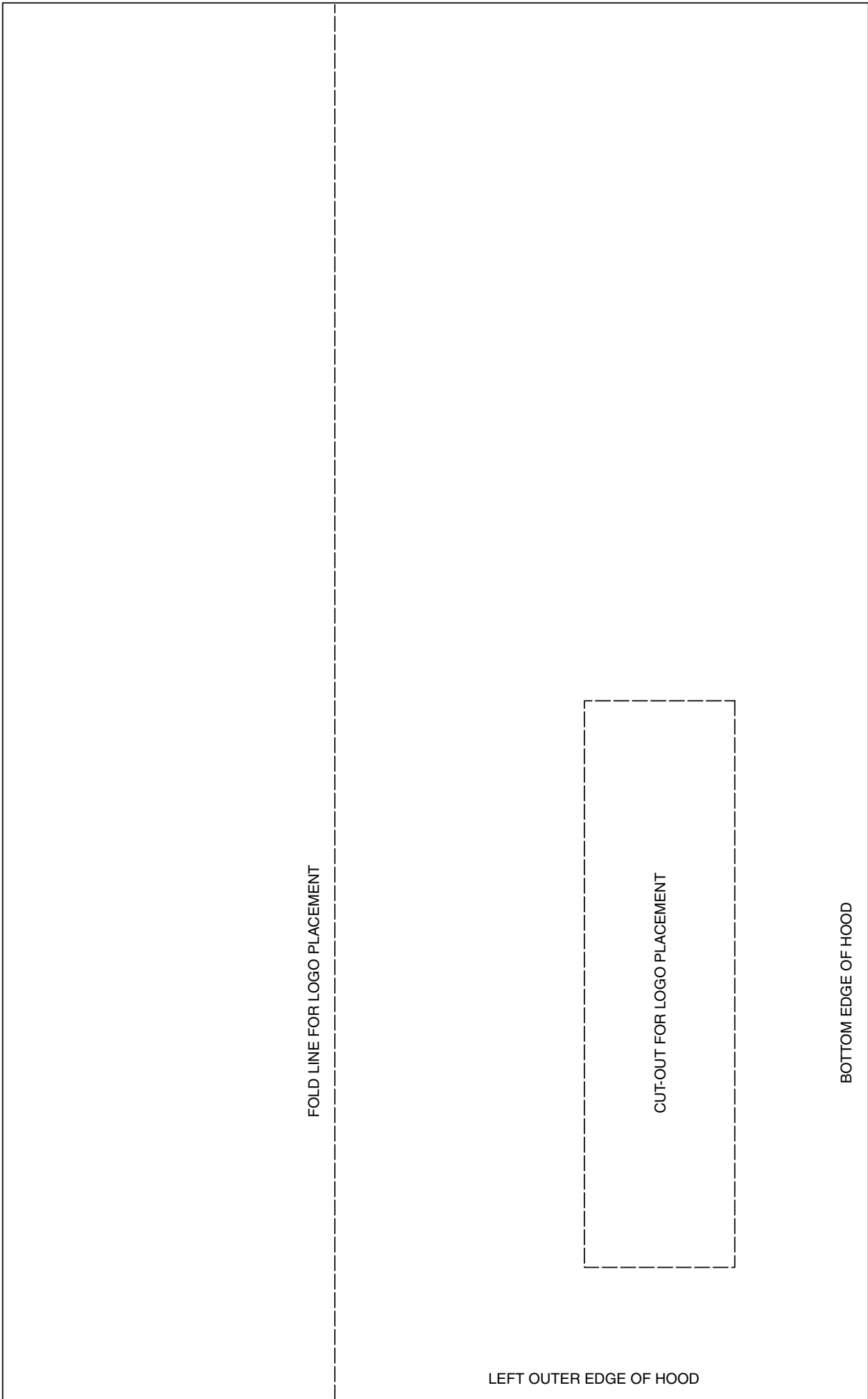
- Verify that power is being supplied to the ventilation hood.
- Check electrical connections to ensure that the installation has been completed correctly.
- Refer to the Troubleshooting Guide in the Wolf Pro Ventilation Hoods Use & Care Information.
- If the ventilation hood still does not work, contact a Wolf authorized service center. Do not attempt to repair the ventilation hood yourself. Wolf is not responsible for service required to correct a faulty installation.

IF YOU NEED **SERVICE**

- Maintain the quality built into your Pro wall ventilation hood by calling a Wolf authorized service center.
- For the name and number of the Wolf authorized service center nearest you, check the Locator section of our website, **wolfappliance.com**, or call Wolf Customer Service at **800-332-9513**.
- When calling for service, you will need the model and serial number of your ventilation hood. This information is found on the rating plate located on the left wall of the hood shell.

The information and images are the copyright property of Wolf Appliance Company, Inc., an affiliate of Sub-Zero Freezer Company, Inc. Neither this book nor any information or images contained herein may be copied or used in whole or in part without the express written permission of Wolf Appliance Company, Inc., an affiliate of Sub-Zero Freezer Company, Inc.

©Wolf Appliance Company, Inc. all rights reserved.



FOLD LINE FOR LOGO PLACEMENT

CUT-OUT FOR LOGO PLACEMENT

BOTTOM EDGE OF HOOD

LEFT OUTER EDGE OF HOOD



WOLF APPLIANCE COMPANY, INC. P. O. BOX 44848 MADISON, WI 53744 800-332-9513 WOLFAPPLIANCE.COM

 WOLF®

809340

7/2006

Free Manuals Download Website

<http://myh66.com>

<http://usermanuals.us>

<http://www.somanuals.com>

<http://www.4manuals.cc>

<http://www.manual-lib.com>

<http://www.404manual.com>

<http://www.luxmanual.com>

<http://aubethermostatmanual.com>

Golf course search by state

<http://golfingnear.com>

Email search by domain

<http://emailbydomain.com>

Auto manuals search

<http://auto.somanuals.com>

TV manuals search

<http://tv.somanuals.com>