

Save this manual  
for future reference.

Gardez ce manuel pour  
référence ultérieure.

Conserve este manual  
para referencia futura.

**wolcraft**<sup>®</sup>

630-773-4777  
www.wolcraft.com

**OWNER'S  
MANUAL**

**MANUEL  
D'UTILISATION**

**MANUAL DEL  
PROPIETARIO**

MODEL NO. 6155 / 6156  
MODÈLE N° 6155 / 6156  
MODELO NO. 6155 / 6156

Pages 47-89  
Français/Español

**CAUTION:**

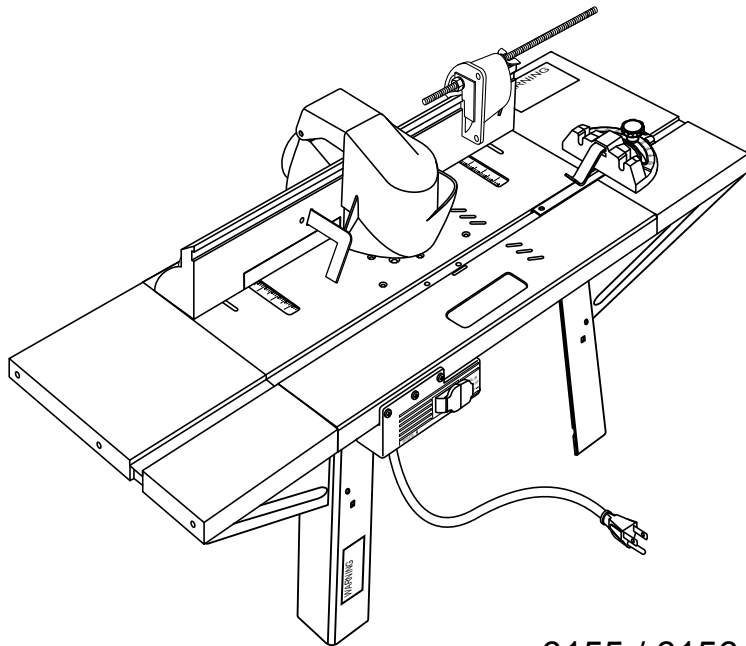
Before using this product,  
read this manual entirely  
and follow all safety rules  
and operating instructions.

**MISE EN GARDE:**

Avant d'utiliser ce produit,  
lire ce manuel entièrement  
et respecter toutes les  
consignes de sécurité et le  
mode d'emploi.

**PRECAUCIÓN:**

Antes de utilizar este producto,  
lea este manual en su totalidad  
y siga todas las reglas de  
seguridad e instrucciones de  
operación.



6155 / 6156

Power tools and some accessories NOT included.  
Les outils motorisés et certains accessoires NE sont PAS inclus.  
NO se incluyen las herramientas eléctricas y ciertos accesorios.

**wolcraft**<sup>®</sup>

**ROUTER TABLE  
TABLE À TOUPIE  
MESA PARA FRESADORA**

- |                                  |                                    |   |
|----------------------------------|------------------------------------|---|
| • <b>Safety<br/>instructions</b> | • <b>Consignes de<br/>sécurité</b> | • <b>Instrucciones<br/>de seguridad</b> |
| • <b>Assembly</b>                | • <b>Assemblage</b>                | • <b>Armado</b>                         |
| • <b>Operation</b>               | • <b>Utilisation</b>               | • <b>Operación</b>                      |
| • <b>Repair parts</b>            | • <b>Pièces de<br/>rechange</b>    | • <b>Piezas para<br/>reparación</b>     |

# TABLE OF CONTENTS

---

WARRANTY.....	2	SECURING THE ROUTER TABLE.....	26
SAFETY INSTRUCTIONS .....	3	SWITCH BOX.....	27
UNPACKING AND CHECKING CONTENTS .....	4	ASSEMBLING FENCE TO THE ROUTER TABLE...30	
INTRODUCTION .....	4	OPERATION.....	32
FEATURES AND SPECIFICATIONS.....	5	REPAIR PARTS.....	43
PACKAGE CONTENTS & HARDWARE LEGEND.....	6	FRANÇAIS/ESPAÑOL.....	47
ASSEMBLY .....	12	PRODUCT REGISTRATION CARD.....	91
MOUNTING THE ROUTER.....	21		

# WARRANTY

---

## LIMITED LIFETIME WARRANTY

### WARRANTY

This **wolfcraft**® Router Table is warranted against defects in material and workmanship for the life of the product. The obligation of the manufacturer under this warranty is limited to replacement or repair, at its option, of the product or of any defective portions thereof. This warranty extends to the first purchaser only and does not apply to conditions resulting from abuse, misuse, alteration, negligence, improper maintenance, or normal wear and tear. Unauthorized repairs or tampering with the product will void this warranty in its entirety.

If you find a defect in material or workmanship, contact the **wolfcraft**® Customer Service Department by e-mail at [customer.service@woa.wolfcraft.com](mailto:customer.service@woa.wolfcraft.com), by telephone at 630.773.4777, by fax at 630.773.4805, or through the mail at 333 Swift Road, Addison, Illinois 60101. You will be given instructions on how to resolve the problem or, if the problem cannot be resolved, on how to return the product to the manufacturer for repair or replacement.

### LIMITATION ON LIABILITY

**Manufacturer shall not be liable for loss or damage of any kind including incidental or consequential damages, resulting either directly or indirectly from the use of this product.**

Some states do not allow the exclusion or limitation of incidental or consequential damages so the above limitation or exclusion may not apply to you. User assumes all risk or liability in connection with installation or use of this product.

This warranty gives you specific legal rights and you may also have other rights which vary from state to state.

**THE EXPRESS WARRANTY HEREIN IS IN LIEU OF ANY AND ALL OTHER WARRANTIES, EXPRESSED OR IMPLIED. NO IMPLIED WARRANTY OF MERCHANTABILITY IS MADE AND THERE ARE NO WARRANTIES WHICH EXTEND BEYOND THE DESCRIPTION ON THE FACE HEREOF.**

### WARRANTY CARD

Please complete the information on the attached warranty card and mail it to **wolfcraft**® within 30 days of purchase, **or complete the card on-line at [www.wolfcraft.com](http://www.wolfcraft.com)**. Failure to submit this card will not adversely affect your warranty rights if you can otherwise show in a reasonable way that you were the original purchaser of the product. Nevertheless, sending this card is a convenient way to establish in our files the date of your purchase and help us better meet your needs in the future.

# SAFETY INSTRUCTIONS

Safety items throughout this manual are labeled with WARNING and CAUTION.



**WARNING**

Means that failure to follow this safety statement may result in extensive product damage, serious personal injury, or death.



**CAUTION**

Means that failure to follow this safety statement may result in minor or moderate personal injury, or property or equipment damage.



**WARNING**

## **READ ALL SAFETY INSTRUCTIONS BEFORE USING**

Read the owner's manual carefully. Learn its applications and limitations as well as the specific potential hazards.

## **GROUND ALL TOOLS (UNLESS DOUBLE INSULATED)**

If tool is equipped with an approved 3-conductor cord and a 3-prong grounding type plug to fit the proper grounding type receptacle. The green conductor in the cord is the grounding wire. NEVER connect the green wire to a live terminal.

## **KEEP AWAY FROM HAZARDOUS MATERIALS**

Normal sparking of the motor could ignite fumes, flammable liquids, or combustibles.

## **PROTECT YOURSELF AGAINST PERSONAL INJURY**

DO NOT operate any tool while under the influence of drugs, alcohol, or any medication.

## **DRESS FOR SAFETY**

Do not wear loose clothing, gloves, neckties, or jewelry, as these items can get caught and draw you into moving parts. ALWAYS wear non-slip footwear. Tie back long hair. Roll long sleeves above the elbow.

## **WEAR SAFETY GOGGLES**

Wear safety goggles (must comply with ANSI Z87.1) at ALL times. Also, use face or dust mask if cutting operation is dusty, and use ear protectors (plugs or muffs) during extended periods of operation.

## **AVOID ACCIDENTAL STARTING**

Make sure all switches are in "OFF" position before plugging in.

## **NEVER STAND ON TOOL**

Serious injury could occur if the tool is tipped or if the cutting tool is accidentally contacted. DO NOT store materials above or near the tool making it necessary to stand on the tool to reach them.

## **PROTECT AND USE SUITABLE CORDS**

NEVER carry tool by cord or yank it to disconnect from receptacle. Protect cord from heat, oil, and sharp edges. For temporary outdoor operation, use extension cords intended for outdoor use.

## **AVOID A DANGEROUS ENVIRONMENT**

DO NOT use power tools in damp or wet locations or expose them to rain. Keep work area well lit and provide an adequate surrounding work space.

## **CHECK DAMAGED PARTS**

Before further use of the tool, a guard or other part that is damaged should be carefully checked to ensure that it will operate properly and perform its intended function. Check for alignment of moving parts, binding of moving parts, breakage of parts, mounting, and any other conditions that may affect its operation. A guard or other part that is damaged should be properly repaired or replaced.

## **CHECK DIRECTION OF FEED**

Feed work into a blade or cutter against the direction of rotation of the blade or cutter only.

## **NEVER LEAVE TOOL RUNNING UNATTENDED**

Turn power off. Do not leave tool until it comes to a complete stop.

 **WARNING** CONTINUED

**SECURE ROUTER TABLE**

DO NOT attempt to use your router table unless it is fastened firmly to your workbench or rests stably on the floor.

**KEEP HANDS AWAY FROM CUTTING AREA**

**DISCONNECT TOOLS BEFORE SERVICING**

When changing bits, make sure router is unplugged.

**KEEP GUARDS IN PLACE**

Be sure guards are in working order, properly adjusted, and aligned.

 **CAUTION**

**STORE PROPERLY**

Do not store router table outdoors or in a damp location.

**KEEP WORK AREA CLEAN**

ALWAYS keep your work area clean, uncluttered, and well lit. DO NOT work on or place router table legs on floor surfaces that are slippery from sawdust, oil, water, or wax.

**DO NOT FORCE THE TOOL**

Do not force tool or attachment to do a job for which it was not designed. It will do the job better and more safely at the rate for which it was designed.

**USE CLAMPS TO HOLD WORK WHEN PRACTICAL**

Using clamps to hold work is safer than using your hand. It also frees both hands to operate the tool.

**DO NOT OVERREACH**

Keep proper footing and balance at all times.

**MAINTAIN TOOLS WITH CARE**

Keep tools sharp and clean for best and safest performance. Follow instructions for lubricating and changing accessories.

**USE RECOMMENDED ACCESSORIES**

Consult this manual for recommended accessories. Follow the instructions that accompany the accessories. The use of improper accessories may cause hazards.

**REMOVE ADJUSTING KEYS AND WRENCHES**

Form the habit of checking to see that keys and adjusting wrenches are removed from the tool before turning it on.

**ENSURE SAFETY OF OTHERS**

Keep visitors and children a safe distance away from the work area, especially when operating a power tool. Visitors should wear the same safety equipment as the operator.

**SAVE THESE INSTRUCTIONS**

## UNPACKING AND CHECKING CONTENTS

**IMPORTANT:** Separate all parts from packaging materials and check each item against the package contents listed in this manual, found on page 6.

Your **wolcraft**® Router Table is shipped complete in one carton. Make sure all items are accounted for before discarding any of the packaging materials.

## INTRODUCTION

The **wolcraft**® Router Table is designed to provide an economical means to extend the capabilities of your router.

We are certain you will find the **wolcraft**® Router Table a valuable addition to your shop.

**NOTE:** This manual covers assembly instructions, setup, operation, and parts lists for both the Model 6155 Router Table and the Model 6156 Router Table.

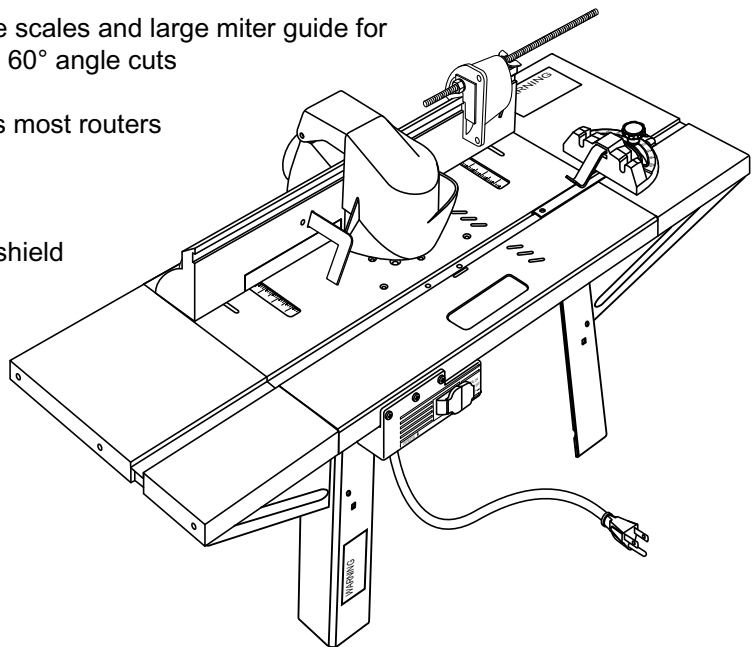
# FEATURES AND SPECIFICATIONS

---

6155 & 6156 Table work space.....	570 square inches
6155 Table weight.....	50 lbs.
6156 Table weight.....	30 lbs.
6155 Working heights.....	32" to 38"
6156 Working height.....	14"
6155 Dimensions.....	14-1/4"W x 40-1/2"L x 32-38"H
6156 Dimensions.....	14-1/4"W x 40-1/2"L x 14"H

## 6155 and 6156 Router Table features include:

- Unitized fence that allows mounting of boards up to 8"
- Front-mounted, keyed power switch with two 120-volt receptacles and circuit breaker protection
- Bottom-accessible outlets accept router and shop vacuum plugs to turn both on at the same time
- Die-cast aluminum top that provides a smooth, clean routing surface
- Reinforced steel extensions for 570 square inches of work surface
- Vertical push shoe that allows vertical cutting of boards up to 4-1/2" wide
- Tabletop measuring guides include scales and large miter guide for quick and accurate straight or 0 to 60° angle cuts
- Universal router adapting plate, fits most routers
- Fence-mounted feather boards
- Combination dust collector/safety shield

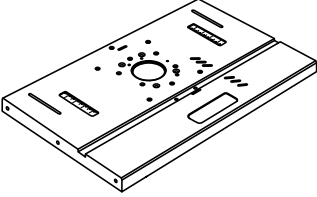
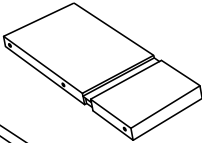
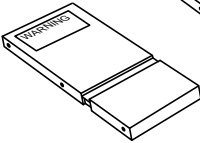
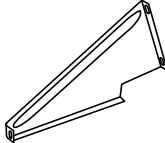
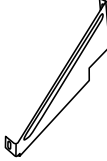


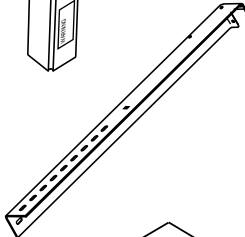
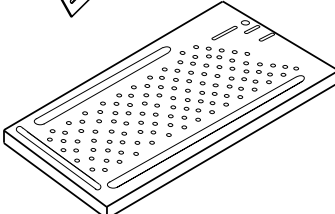


## Additional 6155 Router Table features include:

- Exclusive dovetail and box joint jig
- Height-adjustable legs that provide floor mounting from 32" to 38"
- Steel storage tray

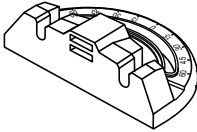
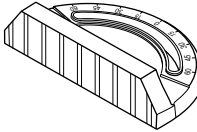
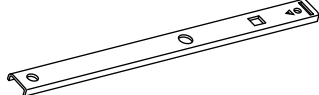


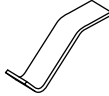
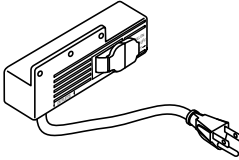
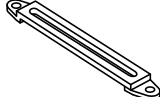



# PACKAGE CONTENTS & HARDWARE LEGEND –

**NOTE:** Unless otherwise marked, all parts are common to Models 6155 and 6156.

ITEM	DESCRIPTION	QTY.	
A	Tabletop	1	<b>A</b> 
B-1	Extension	6155: 2 6156: 1	<b>B-1</b> 
B-2	Extension, right (Model 6156 only)	1	<b>B-2</b> 
C	Leg support, left	2	<b>C</b> 
D	Leg support, right	2	<b>D</b> 
E-1	Leg, short	6155: 4 6156: 3	<b>E-1</b> 
E-2	Leg, short front left (Model 6156 only)	1	<b>E-2</b> 
F	Leg, long (Model 6155 only)	4	<b>F</b> 
G	Tool tray (Model 6155 only)	1	<b>G</b> 


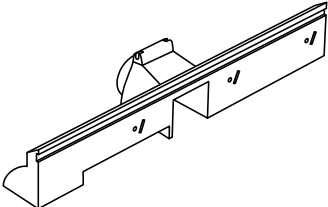
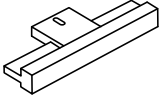

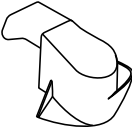
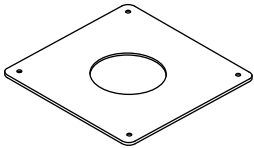




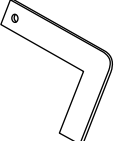
## PACKAGE CONTENTS & HARDWARE LEGEND (Continued) \_\_\_\_\_

**NOTE:** Unless otherwise marked, all parts are common to Models 6155 and 6156.

ITEM	DESCRIPTION	QTY.	
H	Miter guide head, aluminum (Model 6155 only)	1	<b>H</b> 
J	Miter guide head, plastic (Model 6156 only)	1	<b>J</b> 
K	Miter bar	1	<b>K</b> 
L	Miter pointer	1	<b>L</b> 
M	Miter guide knob	1	<b>M</b> 
N	Miter guide clamp (Model 6155 only)	1	<b>N</b> 
P	Switch box	1	<b>P</b> 
Q	Retainer	2	<b>Q</b> 
R	Push shoe	1	<b>R</b> 
S	Clamp rod	1	<b>S</b> 
T	Clamp plate	1	<b>T</b> 

## PACKAGE CONTENTS & HARDWARE LEGEND (Continued) ---

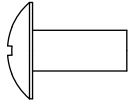
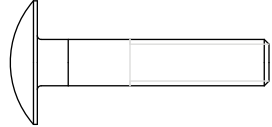
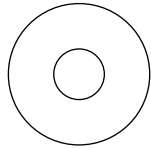
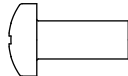
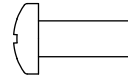
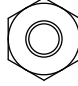
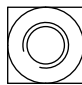
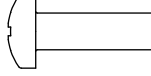


**NOTE:** Unless otherwise marked, all parts are common to Models 6155 and 6156.

ITEM	DESCRIPTION	QTY.		
U	Rubber shoe (Model 6155 only)	4	U	
V	Fence	1	V	
W	Jointing fence (attached to fence)	1	W	
X	Jointing fence knob	1	X	
Y	Safety shield	1	Y	
Z	Square adaptor base plate	1	Z	
AA	Tabletop insert, small hole	1	AA	
AB	Tabletop insert, medium hole	1	AB	
AC	Tabletop insert, large hole	1	AC	
AD	Tabletop insert, solid	1	AD	
AE	Feather flap	3	AE	



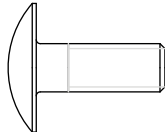

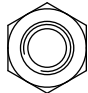
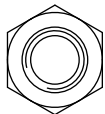
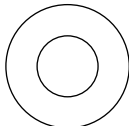
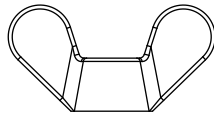
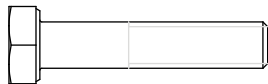
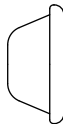
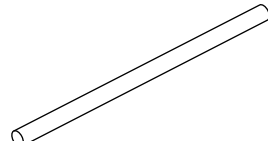
## PACKAGE CONTENTS & HARDWARE LEGEND (Continued) ---

**NOTE: Hardware parts shown (screws, nuts, washers) are actual size.  
Unless otherwise marked, all parts are common to Models 6155 and 6156.**

ITEM	DESCRIPTION	QTY.		
AF	Pan head screw, zinc (M5x12) (Model 6155 only)	1	<b>AF</b>	
AG	Carriage bolt, black (M6x30)	1	<b>AG</b>	
AH	Washer, black (M6)	2	<b>AH</b>	
AJ	Phillips head screw, self-tapping, zinc (M5x12)	21	<b>AJ</b>	
AK	Pan head screw, black (10-32x1/2)	3	<b>AK</b>	
AL	Hex nut, black (10-32)	3	<b>AL</b>	
AM	Square nut, zinc (M6)	2	<b>AM</b>	
AN	Pan head screw, black (M5x16)	18	<b>AN</b>	
AP	Toothed washer, black (M5)	34	<b>AP</b>	
AQ	Hex nut, black (M5)	18	<b>AQ</b>	

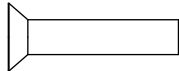
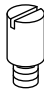
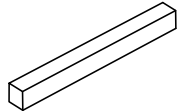
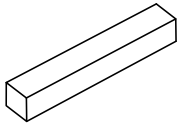
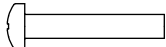

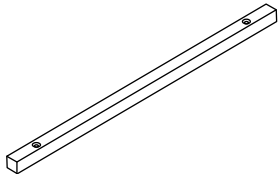
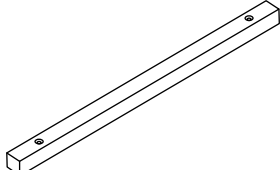
## PACKAGE CONTENTS & HARDWARE LEGEND (Continued) ---

**NOTE: Hardware parts (screws, nuts, washers) shown are actual size.  
Unless otherwise marked, all parts are common to Models 6155 and 6156.**

ITEM	DESCRIPTION	QTY.		
AR	Carriage bolt, black (M6x16) (Model 6155 only)	24	AR	
AS	Toothed washer, black (M6) (Model 6155 only)	24	AS	
AT	Hex nut, black (M6) (Model 6155 only)	24	AT	
AU	Hex nut, black (M8)	1	AU	
AV	Washer, black (M8)	2	AV	
AW	Wing nut, black (M8)	1	AW	
AX	Hex head bolt, zinc (M6x30)	1	AX	
AY	Cap nut, zinc (M6)	2	AY	
AZ	Pivot pin	1	AZ	

## PACKAGE CONTENTS & HARDWARE LEGEND (Continued) ---

**NOTE: Hardware parts (screws, nuts, washers) shown are actual size.  
Unless otherwise marked, all parts are common to Models 6155 and 6156.**

ITEM	DESCRIPTION	QTY.		
BA	Flat head countersink screw, black (10-32x7/8)	4	<b>BA</b>	
BB	Starter pin, black	1	<b>BB</b>	
BC	Spacer bar, 1/4" (Model 6155 only)	1	<b>BC</b>	
BD	Spacer bar, 3/8" (Model 6155 only)	1	<b>BD</b>	
BE	Pan head screw, zinc (5-40x3/4) (Model 6155 only)	2	<b>BE</b>	
BF	Hex nut, zinc (5-40) (Model 6155 only)	2	<b>BF</b>	
BG	Dovetail/box joint bar, 1/4" (Model 6155 only)	1	<b>BG</b>	
BH	Dovetail/box joint bar, 3/8" (Model 6155 only)	1	<b>BH</b>	

# ASSEMBLY

**NOTE:** While most instructions are common to both units, some instructions apply to either Model 6155 (floor-standing) **OR** Model 6156 (benchtop).

## Tools Required

#2 and #3 Phillips Screwdrivers  
Hammer  
Adjustable Wrench

## Assemble Metal Miter Guide

(5° Increments, Model 6155 Only)

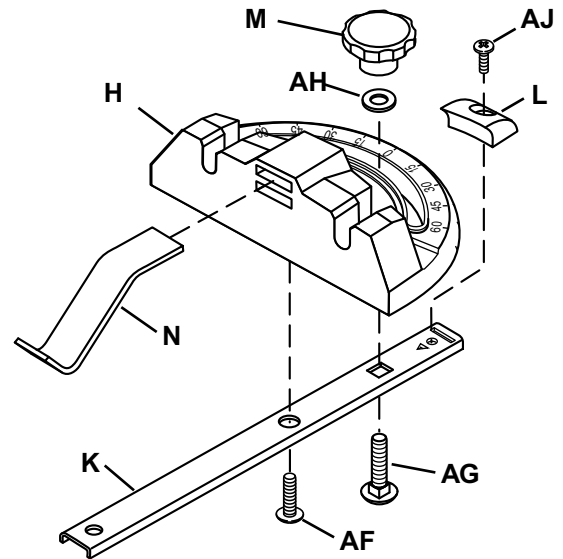
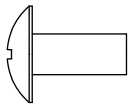
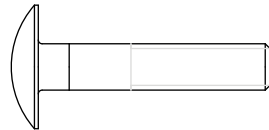


Figure 1

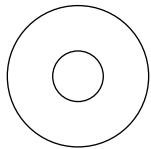
**AF, zinc (1)**



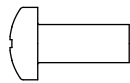
**AG, black (1)**



**AH, black (1)**



**AJ, zinc (1)**

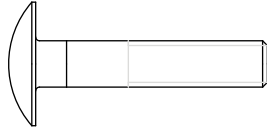


3. Attach miter pointer (L) to miter bar (K) with Phillips head screw (AJ).
4. Slide clamp (N) into one of two slots on front of miter gauge.

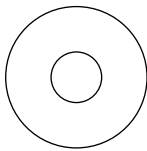
1. Assemble miter guide by threading pan head screw (AF) into miter guide head (H) through miter bar (K) and by threading carriage bolt (AG) through miter bar (K). See Figure 1.
2. Place washer (AH) and knob (M) on end of carriage bolt (AG). Tighten knob.

## Assemble Plastic Miter Guide (1° Increments, Model 6156 Only)

AG, zinc (1)



AH, black (1)



AJ, zinc (1)

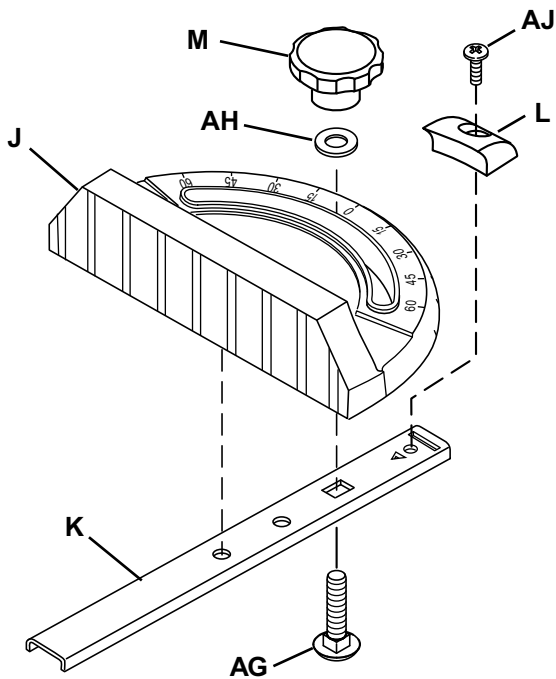
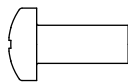


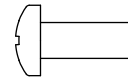
Figure 2

1. Assemble miter guide by threading carriage bolt (AG) through miter bar (K). See Figure 2.
2. Place washer (AH) and knob (M) on end of carriage bolt (AG). Tighten knob.
3. Attach miter pointer (L) to rear of miter bar with Phillips head screw (AJ).

---

## Attach Switch Box to Tabletop

AK, black (3)



AL, black (3)



Use a #2 Phillips screwdriver to attach switch box (P) to front of router table (A) with 3 pan head screws (AK) and 3 hex nuts (AL). See Figure 3.

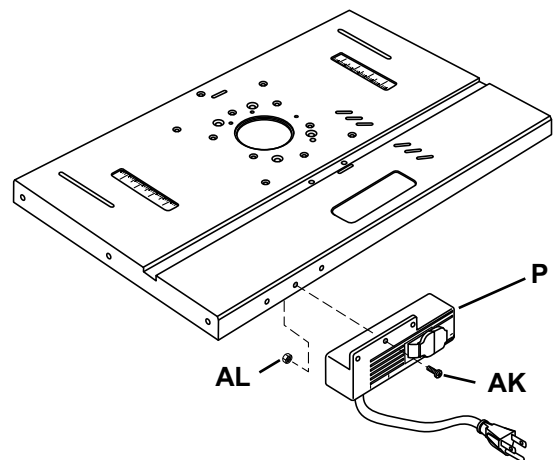

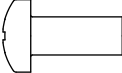


Figure 3

## Attach Square Nuts and Retainers

AM, zinc (2) 

AJ, zinc (4) 

1. Place one square nut (AM) in each of the two slots on the underside of the aluminum tabletop (A). See Figure 4.

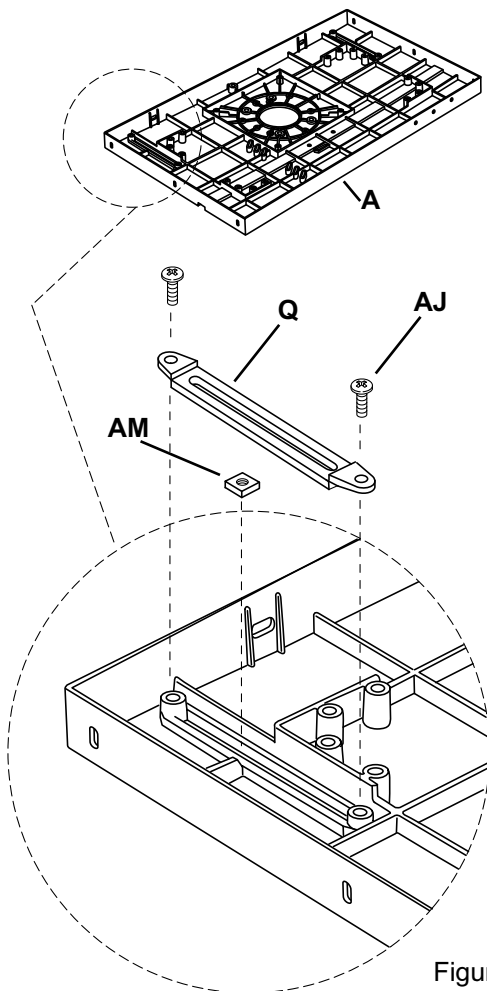
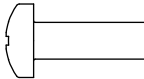



Figure 4

2. Place one yellow retainer (Q) in each slot and fasten each with two pan head screws (AJ). Note orientation of retainer.

## Attach Extensions

AN, black (6) 

AP, black (6) 

AQ, black (6) 

1. Position extensions (B-1) and (B-2) on ends of the router tabletop (A) with flat sides down (upside down). Note position of miter guide slots in all three parts. Ensure alignment as shown in Figure 5.
2. Attach each extension to the ends of the table using 3 pan head screws (AN), 3 toothed washers (AP), and 3 hex nuts (AQ).

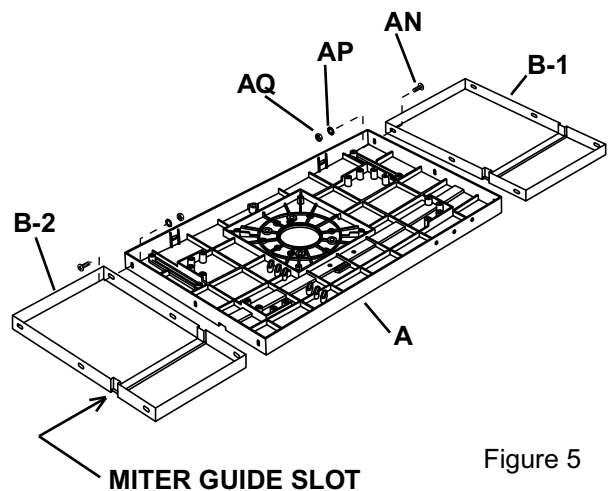
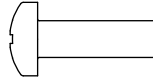


Figure 5

## Attach Supports to Tabletop

**AN, black (4)**



**AP, black (4)**



**AQ, black (4)**



Use 2 pan head screws (AN), 2 toothed washers (AP), and 2 hex nuts (AQ) to attach a pair of supports (C and D) to each extension (F). See Figure 6.

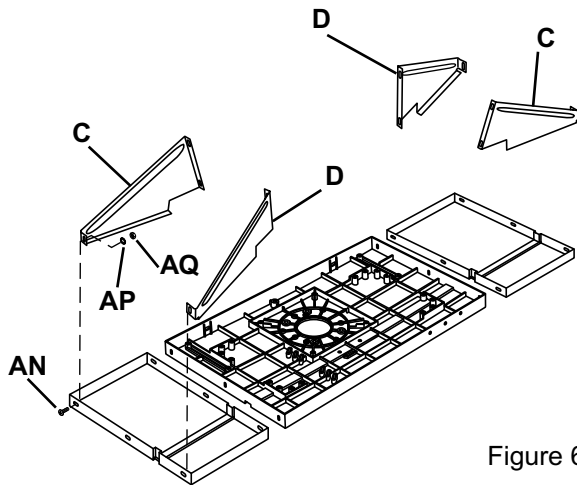
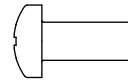


Figure 6

## Attach Height-Adjustable Legs (Model 6155 Only)

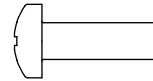
**AJ, zinc (16)**



**AP, black (24)**



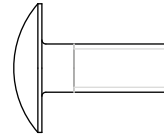
**AN, black (8)**



**AQ, black (8)**



**AR, black (24)**



**AS, black (24)**



**AT, black (24)**

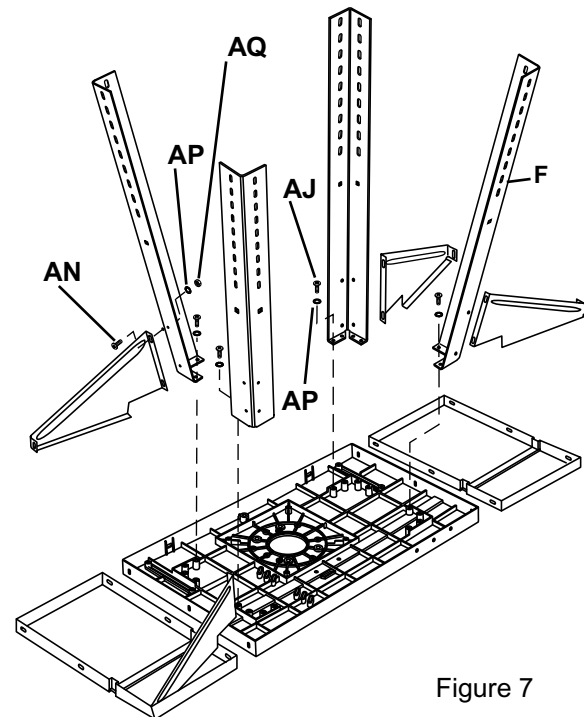


Figure 7

## Attach Height-Adjustable Legs (Model 6155 Only) (continued)

1. Mount four long legs (F) to table using four pan head screws (AJ) and four toothed washers (AP) per leg. Use a #3 Phillips screwdriver to keep from stripping the screw heads. See Figure 7.
2. Use 2 pan head screws (AN), 2 toothed washers (AP), and 2 hex nuts (AQ) to attach a support (C or D) to each long leg (F).
3. Decide what height you want your Router Center table to be from the floor.
4. With the "foot" of short legs (E-1) pointing upward, align 2 holes in short leg with 2 holes in long leg at appropriate height. See Figure 8.
5. Thread 4 carriage bolts (AR) through the holes in both leg members. Assemble 1 toothed washer (AS) and 1 hex nut (AT) to each bolt. Tighten nuts.
6. Attach the three remaining legs in the same manner. In order to obtain the same height above the floor, use the same hole positions as the first leg you attached.
7. Attach 4 molded "shoes" (U) to feet. See Figure 9.
8. The table can be leveled by adjusting short legs (E-1) within the slotted mounting holes on the long legs (F).

NOTE: Short legs (E-1) mount to the inside of long legs (F).

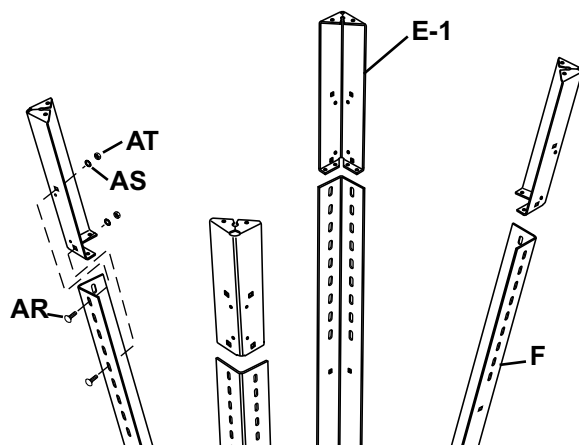


Figure 8

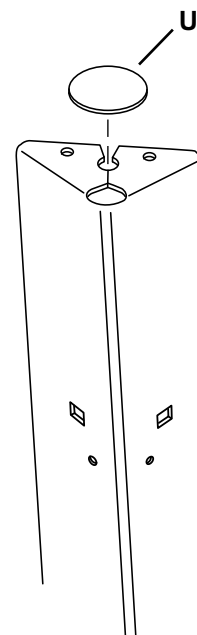


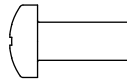
Figure 9



## Attach Short Legs

(Model 6156 Only)

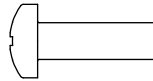
AJ, zinc (16)



AP, black (24)



AN, black (8)



AQ, black (8)



1. Mount four legs (E-1 and E-2) to table using four pan head screws (AJ) and four toothed washers (AP) per leg. Use a #3 Phillips screwdriver to keep from stripping the screw heads.

NOTE: Leg (E-2) is mounted on the front left position of the table top with the safety sticker toward the front of the table. See Figure 10.

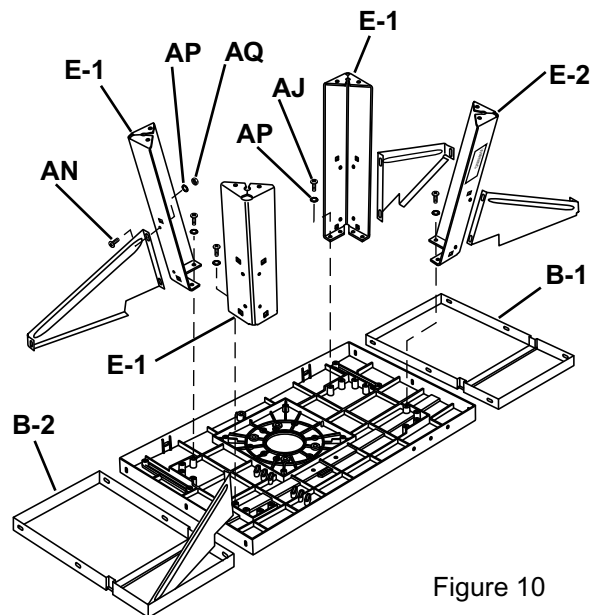


Figure 10

2. Use 2 pan head screws (AN), 2 toothed washers (AP), and 2 hex nuts (AQ) to attach a support (C or D) to each leg (E).

## Alignment of Tabletop and Extensions

Turn tabletop/extension assembly over and check alignment of extensions and tabletop by sliding miter guide assembly through slot. Loosen screws and adjust alignment of tabletop and extensions if necessary. Retighten screws.

NOTE: Extension (B-2) to be mounted on the right side of the table top. See Figure 11.

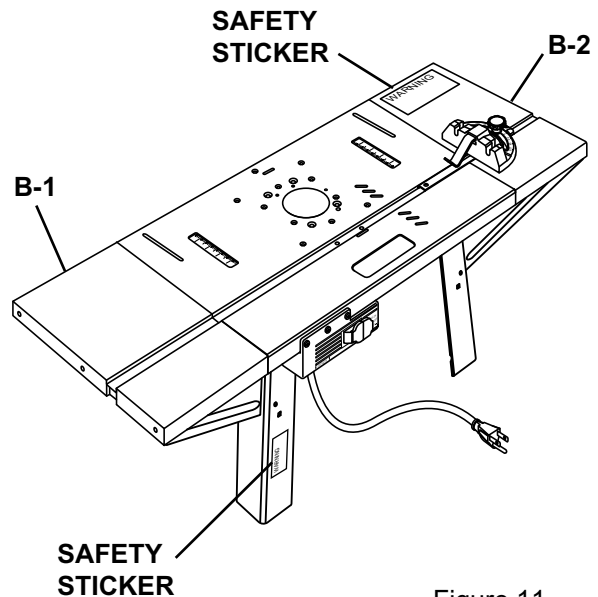
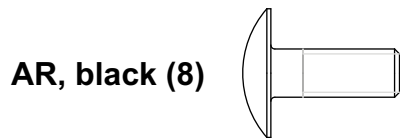


Figure 11

## Attach Tool Tray (Router Table Model 6155 Only)



1. Align holes in legs to holes in corners of tool tray (G). See Figure 12.
2. Use 8 carriage bolts (AR), 8 toothed washers (AS), and 8 hex nuts (AT) to attach the tray to the legs. Tighten securely.

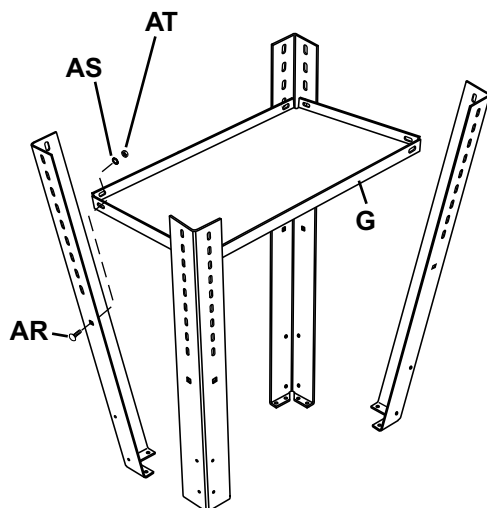


Figure 12  
(Height-adjustable legs  
removed for clarity)

## Attach Optional, Second Shelf (Router Table Model 6155 Only)

1. Size of optional, second shelf (not provided) will depend on position of the height-adjustable legs (J). Once adjusted to operating height, measure and cut plywood or medium density fiberboard to fit your stand.
2. With the router table in an upright orientation, place corners of shelf board on each one of the "brackets" that protrudes from the height-adjustable legs. See Figure 13, stand inverted for clarity.
3. Use screws (not provided) to secure the shelf.

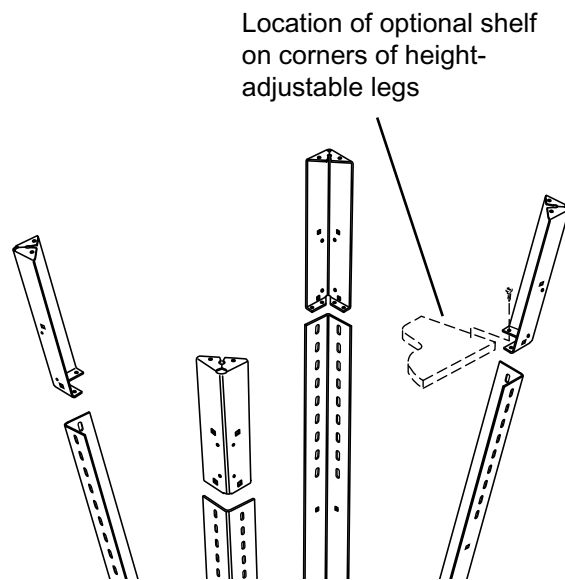
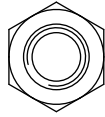


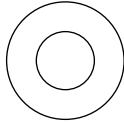
Figure 13

## Assemble Push Shoe

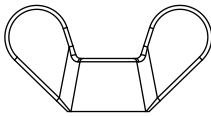
**AU (1)**  
black



**AV (2)**  
black



**AW (1)**  
black



1. On one end of the threaded clamp rod (S), thread the clamp plate (T) about 1/2".
2. On same end of rod, add washer (AV) and nut (AU).
3. Slide the clamp rod (S) through push shoe (R) so the end with the clamp plate, washer, and nut is on the large end of the push shoe. See Figure 14.
4. Add washer (AV) and wing nut (AW) to end of threaded rod.

**WARNING** Vibrations from normal routing may loosen the washer and bolt that hold the rod to the plate. Occasionally check these components to make sure they are tight.

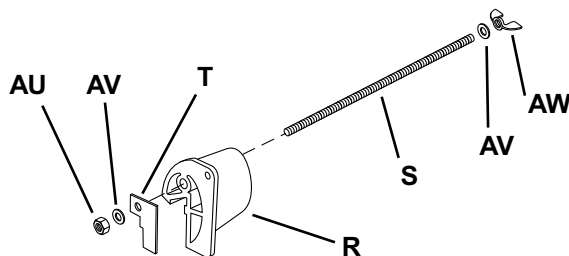
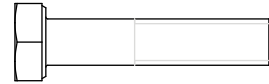


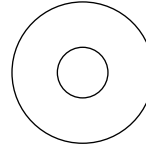
Figure 14

## Assemble Jointing Fence to Router Table Fence

**AX (1)**  
zinc



**AH (1)**  
black



1. Using the slots on the fence as guides, slide the jointing fence (W) into the router table fence (V). (Jointing fence may be taped into place at the factory.)
2. Slide hex head bolt (AX) into bottom of jointing fence (W) and through hole in fence (V). Add washer (AH) and jointing fence knob (X). See Figure 15.
3. Slide the jointing fence into the router table fence as far as you can. Remove factory tape if necessary.

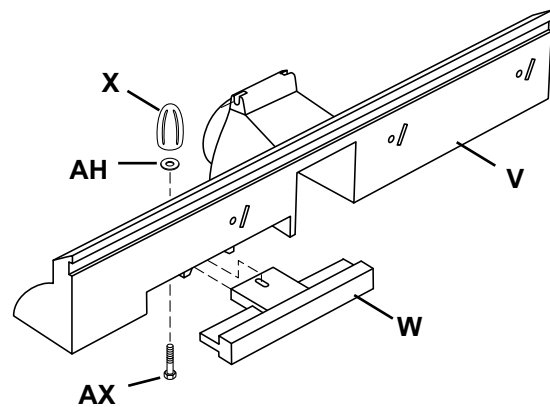
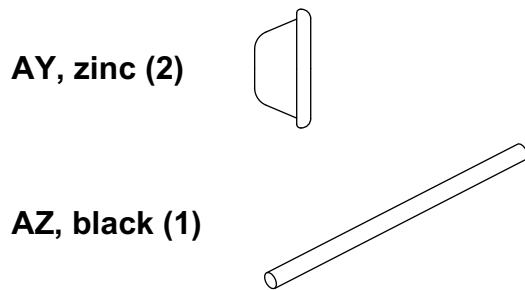


Figure 15

## Attach Security Guard Fence



1. Position the two holes on the security guard (Y) so that they align with the two holes on the fence (V). See Figure 16.

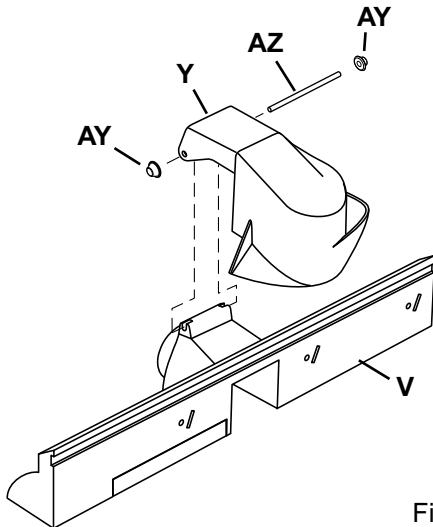


Figure 16

2. Position one cap nut (AY) on one end of pivot pin (AZ). Using a hammer, lightly tap pivot pin until it seats in cap nut.
3. Slide pivot pin (AZ) through holes in fence and security guard. Add second cap nut (AY) and secure on end of pin.
3. Test moveability by moving security guard up and down.

## Assemble Push Shoe to Fence

1. Place push shoe assembly onto fence so the slot in the push shoe aligns with rail on fence. See Figure 17.
2. With safety shield in the up position, test moveability of push shoe by sliding it along fence. It should slide with ease.

**NOTE:** It is recommended that you occasionally lightly lubricate the push shoe and fence sliding surfaces with furniture wax.

**NOTE:** For best performance, periodically remove any wood chips that accumulate inside the push shoe slot and rail.

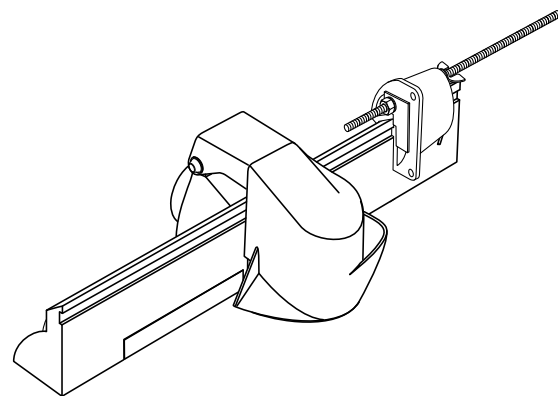


Figure 17

# MOUNTING THE ROUTER



**WARNING** Always remove router bits and unplug router before mounting to router table.

The table will accept routers with bases up to 7" in diameter. There are two methods for attaching routers to router table.

At least three holes should be aligned for proper support of the router. If fewer than three holes line up, follow instructions on how to mount your router with the square adaptor base plate (Z) on the next page.

Hole Pattern	Router Brand/ Hole Use	Specific Model Numbers
A	Square Adaptor Plate Mounting Holes	Most routers mount with plate
B	Ryobi	#R160K, #R160V, #R165, #R180
	Craftsman	#27500, #27510, #27511
C	Ryobi	#R174, #RE175
D	Porter Cable	#690, #6931
E	Skil	#1823, #1835, #1845-02,
	Craftsman	#17504, #17505, #17506
F*	Dremel™ Rotary Hobby Tools	All
G	Threaded Hole for Pilot Pin	n/a
H	Pilot Pin Storage Hole	n/a
J	Dovetail/Box Joint Fixture Mounting Slots	n/a

Dremel™ is a registered trademark of S-B Power Tool Company.

\*Mounts with Dremel™ #330 Router Attachment Kit (not included, see below).



If your router is not one of those listed in the chart, place the router base plate on top of the router table and rotate the base plate until the holes are aligned. When the two hole patterns line up, your mounting pattern has been identified. See Figure 18.

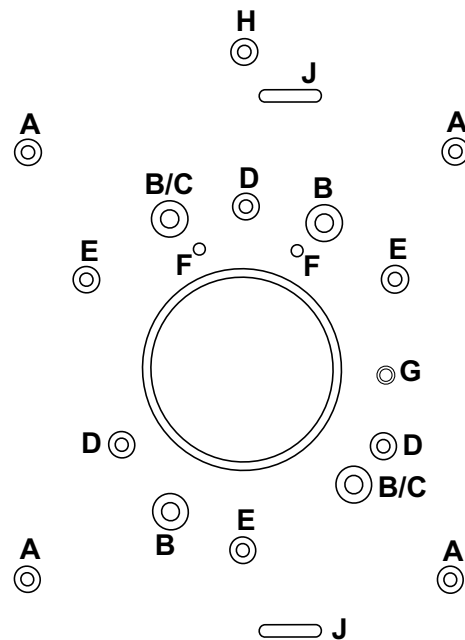
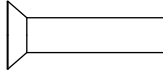


Figure 18

## Mount Router Directly to the Table

**BA, black (4)**



1. Remove router base plate from router by removing screws.
2. Loosen knobs and slide fence so that it clears mounting holes.
3. While holding router upside down, position it underneath the table so that the center of the router is within the center ring of the table top.
4. Rotate router until mounting holes in router base line up with the holes in the table top.

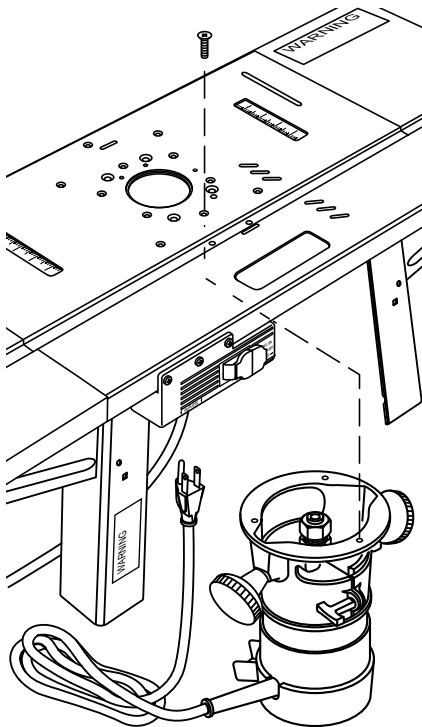


Figure 19

NOTE: For ease of use, position the router so the ON-OFF switch is accessible from the front of the table.

5. Insert router base plate screws previously removed through holes in table top and into router mounting holes. Tighten securely. See Figure 19.



Make sure the screws from your router base plate match the countersinks in the table and are long enough to mount the router to the table. If necessary replace with screws that are 1/8 to 1/4 inch longer.

---

## Mounting Routers with Square Adaptor Plate

Some router models will not mount directly to this router table. For these routers, a square adaptor base plate is provided. It will need to be modified to fit your particular router. Once modified, and attached to your router, it will mount directly to the router table.

1. Cut out template on page 23. Also cut out inner circle of template.
2. Position template on the side of square adaptor base plate with welded nuts.
3. Accurately line up the edges of the template with the edges of the adaptor base plate. Make sure inner circle also precisely matches hole in plate.

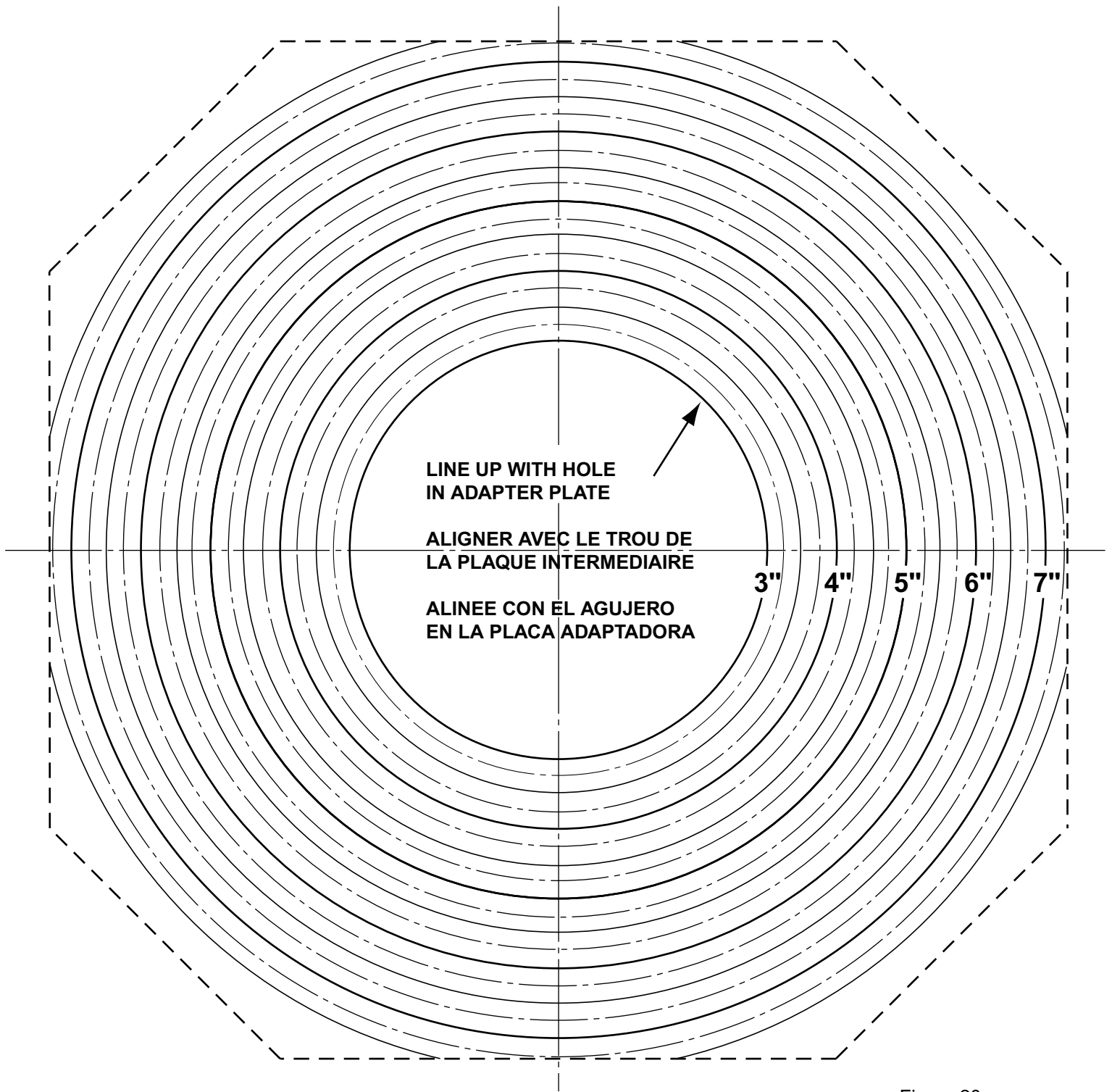


Figure 20  
Figura 20

**SQUARE ADAPTER PLATE TEMPLATE**

**GABARIT DE LA PLAQUE INTERMEDIAIRE**

**PLANTILLA PARA LA PLACA ADAPTADORA**

**This page intentionally left blank.**

**Cette page part intentionnellement le vide.**

**Esta página intensionalmente blanco de  
izquierda.**



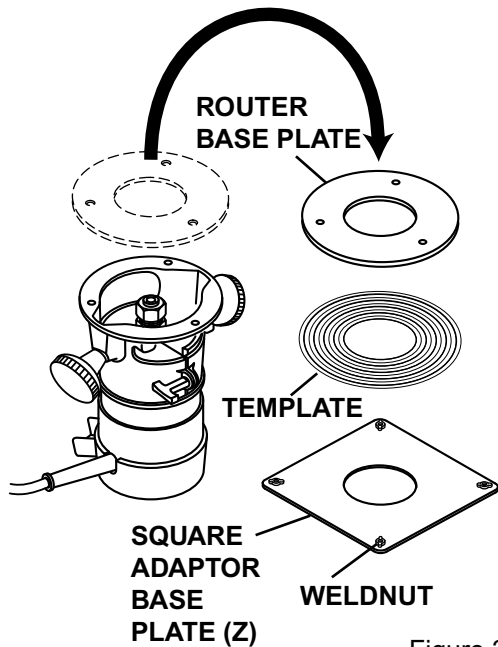


Figure 21



**CAUTION** Make sure edges of template align with edges of square adaptor base plate, and inner circle accurately lines up with hole in plate. Routing accuracy will suffer if alignments are not true.

4. Use tape to attach template to the square adaptor base plate (Z).
5. Lay the square adaptor base plate on a flat surface with template and weldnuts facing up.
6. Unscrew the fasteners that hold the router base plate to the router and set them aside.
7. Turn the router base plate over and position it face down on the template, which is still taped to the square adaptor base plate. The position of the base plate must line up with one of the circles on the template. See Figure 21.

8. Using a pen or pencil, mark the positions of the mounting holes in the base plate on the paper template.
9. Take the base plate off the square adaptor base plate and put it aside.
10. Using a drill bit that matches the diameter of the holes in the router base plate, bore into the square adaptor base plate in the locations previously marked. (To reduce drill breakout, use a back-up board.)
11. Remove the paper template from the square adaptor base plate.

12. Flip the square adaptor base plate over. With the welded nuts now facing downward, position the adaptor plate on the router. (The welded nuts and the router must be on the same side of the adaptor plate.) See Figure 22.

13. With the square adaptor base plate holes and router holes aligned, insert appropriate screws and tighten.



**WARNING** Make sure the screws from your router base plate are long enough to mount the square adaptor base plate securely. If necessary, replace with screws that are 1/8" to 1/4" longer.

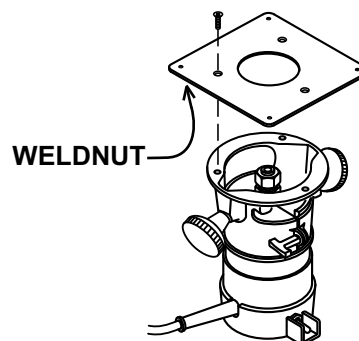
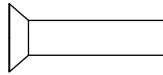


Figure 22

## Mount Router (with Square Adaptor Base Plate) to Table

BA, black (4)



**CAUTION** Only assemble the router to the table after you have attached it to the square adaptor base plate. Do not attempt to attach the square adapter plate and then the router to the table.

1. With router attached, place the square adaptor base plate underneath the router table inside the area provided and against the metal bosses.

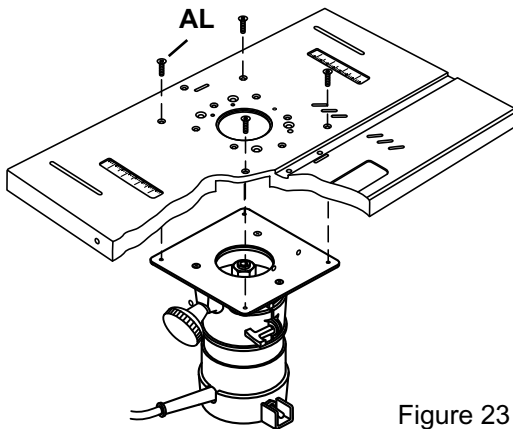


Figure 23

2. If your router has a on/off switch, make sure it faces toward the front of the table for easy access, if needed.
3. Align the holes in the welded nuts on the adaptor base plate to the holes in the bosses.
4. Insert 4 flathead sink screws (BA) through the holes and tighten them securely. See Figure 23.

## SECURING THE ROUTER TABLE (Model 6156 Only)



**WARNING** DO NOT use the router table unless it is firmly mounted to a stable work surface. Failure to securely mount the router table could lead to serious personal injury and/or property damage.

Secure router table to the work surface using wood screws or sheet metal screws and washers (not provided) through the holes provided. There are 8 mounting holes. See Figure 24.

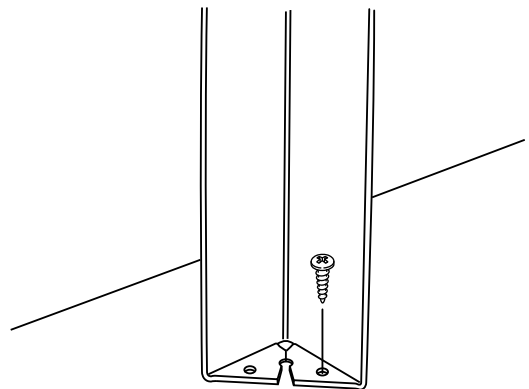


Figure 24

# SWITCH BOX

## Introduction

A conveniently located Switch Box allows the operator to:

- turn the router ON and OFF from the front of the table
- simultaneously operate other devices such as a light or a vacuum

It also features a resettable, internal circuit breaker that protects your equipment against overloads. See Figure 25.

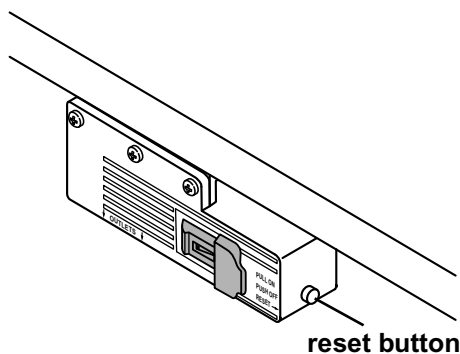


Figure 25

## Electrical Hookup

Proper grounding diverts potentially dangerous electricity away from the operator. The switch box is intended for use with a three-prong, grounded outlet. (See Figure 26, below.) The switch box's electrical cord features an equipment-grounding connector and a grounding plug. Insert the plug into an accommodating outlet that conforms to the National Electric Code (NEC) and all local electrical codes.

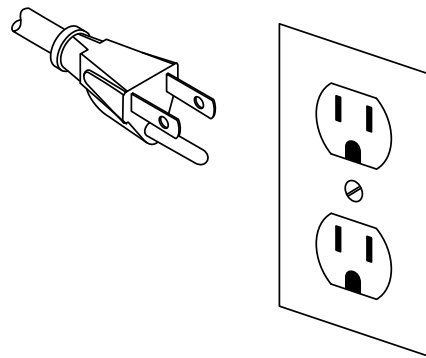


Figure 26

### **WARNING DO NOT MODIFY THE PLUG**

If it does not fit correctly, a qualified electrician must install a compatible outlet.

### **AVOID THE RISK OF ELECTRICAL SHOCK**

NEVER connect the equipment grounding connector (green wire) to a "hot" electrical terminal. When repairing or replacing the electric plug or cord, DO NOT connect the grounding connector to a "hot" electrical terminal.

Consult a qualified electrician if you do not understand the grounding procedures, or if you are not sure whether the switch box is correctly grounded.

### **REPLACE DAMAGED CORDS**

Damaged and/or worn cords must be repaired or replaced immediately.

Extension cords must be three-wire, 14 gauge or larger, with three-prong "male" plugs, and three hole "female" receptacles fabricated to accept the tool's plug.

The electrical outlets on the bottom of the switch box accept three-prong grounded plugs and the two-prong plugs of double insulated tools.

**! WARNING**

The electrical outlets on the bottom of the switch box accept three-prong grounded plugs and the two-prong plugs of double insulated tools. If a correctly grounded outlet is unavailable, use a temporary adaptor to connect the switch box's three-prong plug to a two-hole receptacle. Make use of the temporary adaptor only until a qualified electrician installs a correctly grounded, three-prong outlet. The green rigid lug or grounding wire **MUST** connect to the ground on the outlet. See Figure 27.

**RISK OF ELECTRIC SHOCK**

DO NOT touch prongs when inserting or removing plug from outlet. Improper grounding can produce potentially hazardous electrical discharges that can cause serious injury or death - especially in wet conditions such as a basement, outside, or near plumbing.

DO NOT attach a 3-way plug or any other adaptor to outlets on bottom of switch box.

Only use the switch box when it is properly assembled to the router table AND when the router is properly attached to the router table.

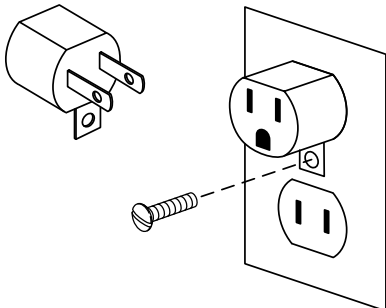


Figure 27

## Switch Box Familiarization

The purpose of this section is to familiarize the user with the operation of the switch box **BEFORE** the router is plugged in.

**! WARNING** DO NOT plug the router in at this time. An ON switch will start the router and an unprepared user could possibly be seriously injured.

The Switch Box also features a safety key that prevents tools plugged into the switch box from being turned ON inadvertently. Removal of the safety key disables the switch box by locking the switch in the OFF position. Strike the switch paddle with your hand to turn the router OFF in an emergency situation. Please note paddle switch positions and reset button at this time. See Figure 28.

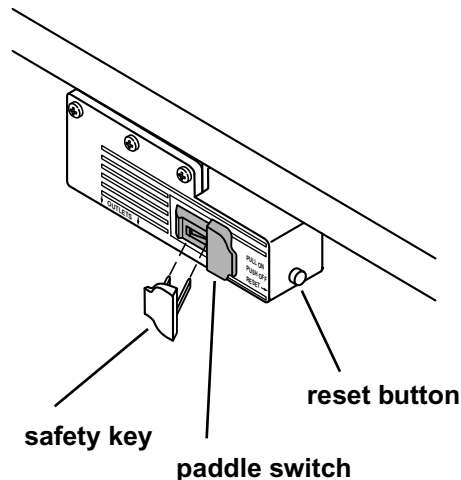



Figure 28


## Operation of Switch Box and Router

 **WARNING** Make sure router switch is OFF and switch box is OFF **BEFORE** proceeding.

1. Insert the yellow safety key into the switch box.
2. Position router power switch to ON.

NOTE: If your router requires the use of the switch trigger and "Lock-On" button, refer to your Router Owner's Manual for operating instructions.

3. Insert finger under paddle and pull out switch to ON position.
4. To turn router OFF push paddle in.

 **WARNING** Router bit must come to a complete stop before leaving router table unattended.

5. Lock switch to OFF position by removing key from switch box.

---

## For Routers With "LOCK-ON" Feature

The "LOCK-ON" feature on some routers will not permit the router to be turned ON by the switch box, but it can be turned OFF by the switch box.

1. Place the switch box to ON as previously described. The router should NOT start even though the trigger lock is in the "LOCK-ON" position. Refer to your router table Owner's Manual.

2. To start router, depress trigger on router switch and engage "LOCK-ON" button. Router should start.

NOTE: Typically, a router will not start if the router switch is already in the "LOCK-ON" position. In this case, unlock the trigger, depress the trigger to start the router, then re-engage the "LOCK-ON" button.

3. To turn router OFF, push switch paddle in.

---

## Circuit Breaker

If an overload occurs, the circuit breaker inside the Switch Box trips and interrupts power to the router and any accessories. If this happens:

1. Unplug the power cord.
2. Remove the workpiece from the router bit and table.
3. Find the cause of the overload and correct.
4. Push the reset button to reset it. See Figure 29.
5. Plug in power cord.
6. Follow instructions under Operation of Switch Box and Router to reset router.

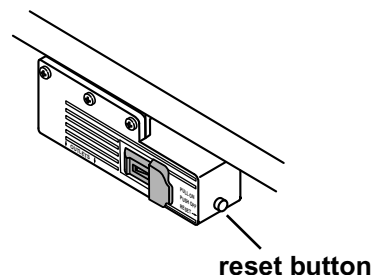


Figure 29



**WARNING** When router table is not in use, always:

1. Place the switch box in OFF position and remove the safety key.
2. Place router power switch in OFF position.
3. Unplug switch box from wall outlet.
4. Remove router bit.

5. Make sure router collet assembly is below router table.

6. Remove and place safety key in a secure location. Remember where you place the safety key.



**WARNING** If the breaker trips, the router stalls, or the power fails for any other reason, place the switch box in the OFF position, remove the safety key, and unplug the switch box from the wall outlet.

## ASSEMBLING FENCE TO THE ROUTER TABLE —

1. Place the fence on the router table with the front of the fence (flat side) facing the front of the router table. See Figure 30.
2. Insert knob screw into the hole in the tabletop and through the nut (AM) in the fence guide mounted to the underside of the table. Repeat for other knob.
3. Turn knobs clockwise to secure fence in desired position.

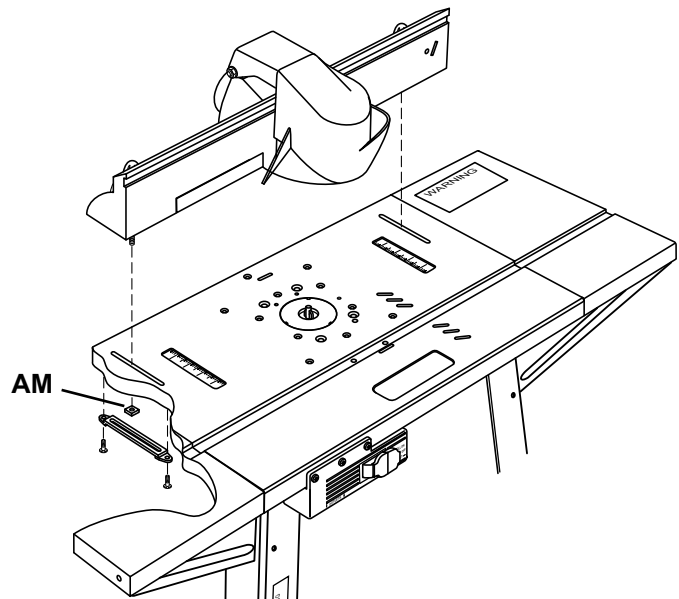


Figure 30

## Assemble Inserts

Inserts help reduce the amount of wood chips and dust that can accumulate on the router table. They can also lend stability to the work piece.

Four inserts come with your router table. Three of the inserts are for use with a specific size bit; one can be custom drilled. Refer to Figure 31 and to the chart, above right. A center marking is on the back of the blank insert for drilling.

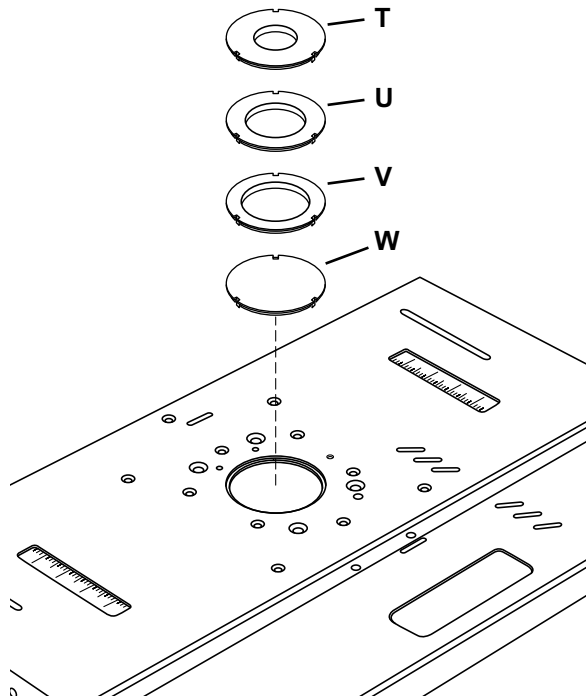


Figure 31

Diameter of Insert	Diameter of Router Bit To Be Used	Figure 31 Reference
1-1/4"	1-1/8"	AA
1-7/8"	1-3/4"	AB
2-1/8"	2"	AC
1/4 to 2-3/8"	drill out no more than 2-3/8" for 2-1/4" bits	AD

**WARNING** Do not use a router bit with a diameter of more than 2-3/4" on this router table.

## Insert Use

1. Select correct insert for the router bit and your application.
2. To assemble to router table, press the insert into the hole in the table, applying pressure to all sides equally. This assures that insert snaps into place.

**WARNING** Before removing insert, switch box must be in OFF position, router switch must be in OFF position, and power cord must be unplugged from outlet.

3. Remove the insert by placing your finger into the hole in the center. With light pressure, pull up the insert.

**NOTE:** Remove the router bit from the router before attempting to remove the insert.

# OPERATION

---

## Connecting a Vacuum

In the fence, a port is provided that will accept standard 2-1/2" vacuum hose connections. If plugged into the switch box, the vacuum will turn ON and OFF simultaneously with the router.

---

## Using your router/router table

### Setting Depth/Height of the Cut

**! WARNING** Make sure router is unplugged before starting depth/height adjustments.

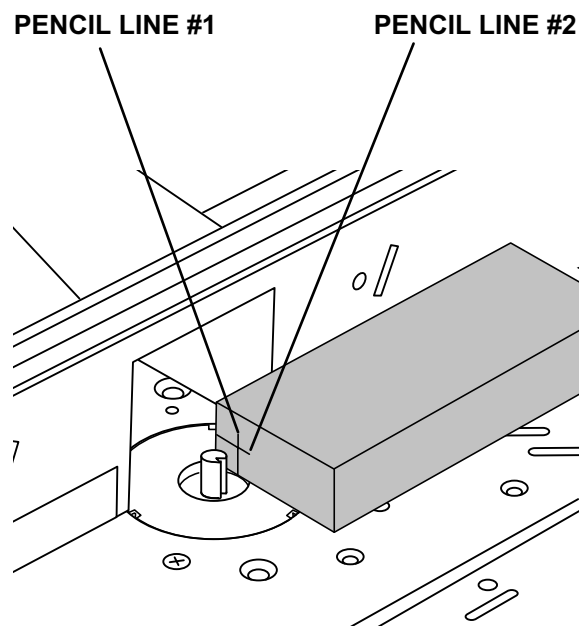


Figure 32

**NOTE:** Using scrap board that is smooth and true is recommended for making this adjustment.

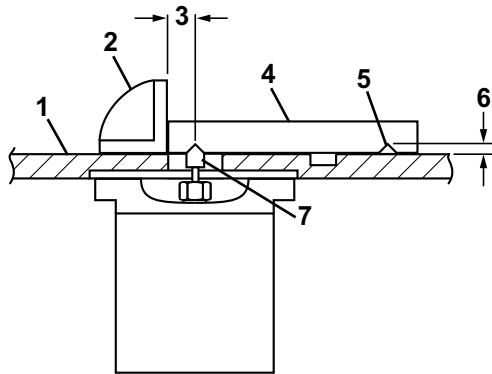
1. At the end of the board, use a soft pencil to mark line #1. This indicates the depth of the cut. See Figure 32.
2. Mark line #2, indicating the height of the cut.
3. Place your board so that it is snugly against the face of the fence. The end with lines #1 and #2 should be near the bit.
4. Loosen fence clamping knobs enough so you can move the fence easily. Move fence and board so that the board contacts the outer edge of the router bit at line #1.
5. Tighten fence clamping knobs.
6. Adjust router height so the cutting edge of the bit contacts line #2.
7. Make sure bit is securely tightened in router chuck.

**! CAUTION** When standing in front of router table, feed work from right to left.



## Using the Router for Beading and Edge Cutting

1. Loosen the knobs that hold the fence in place.
2. Position the fence for the desired cutting depth. See item 3 in Figure 33.



- |                  |                   |
|------------------|-------------------|
| 1. Tabletop      | 5. Successive cut |
| 2. Fence         | 6. Depth of cut   |
| 3. Cutting depth | 7. Router bit     |
| 4. Workpiece     |                   |

Figure 33

3. Tighten the knobs securing the fence in place.
4. Swing the safety shield over the router bit.
5. Your router/router table is now ready for use.

**NOTE:** Remember to always feed the workpiece against router bit's direction of rotation. Test on scrap wood before making final cuts.

## Using Ball-Bearing-Guided Bits; Veining, Fluting, and Grooving



To help reduce the chance of injury, make sure the fence is as close as possible to the ball-bearing-guided bit. Move the fence back **ONLY** enough to permit the ball-bearing-guide to control the depth of cut.

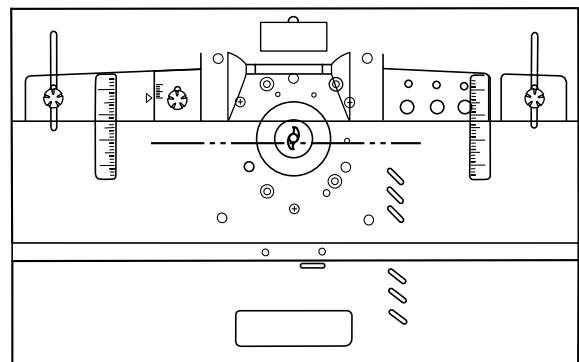


Figure 34

The edge of the workpiece that slides along fence must be straight and true for best results. (Use scrap to test settings.) See Figures 33 and 34.

1. With the router bit set at the required depth, position and secure the fence behind the bit at a distance determined by the previous cut. Lower safety shield.
2. Slide the workpiece against the fence. Adjust fence for subsequent cuts.

**NOTE:** For deep work, make successive cuts until you reach the correct depth. To avoid overloading router, remove waste material as you go.

## Using the Fence and Push Shoe for End Cutting

**WARNING** This operation is done without the safety shield in place. Use extreme caution. Do not allow any body part to contact the router bit at any time. Doing so could lead to serious personal injury.

**WARNING** Unplug router while making adjustments.

Routing to make tongue and groove joints, tenons, and sliding dovetails requires that the workpiece edges and ends be true and smooth, with all sides at 90° angles to one another. Use scrap wood to test adjustments before making final cuts.

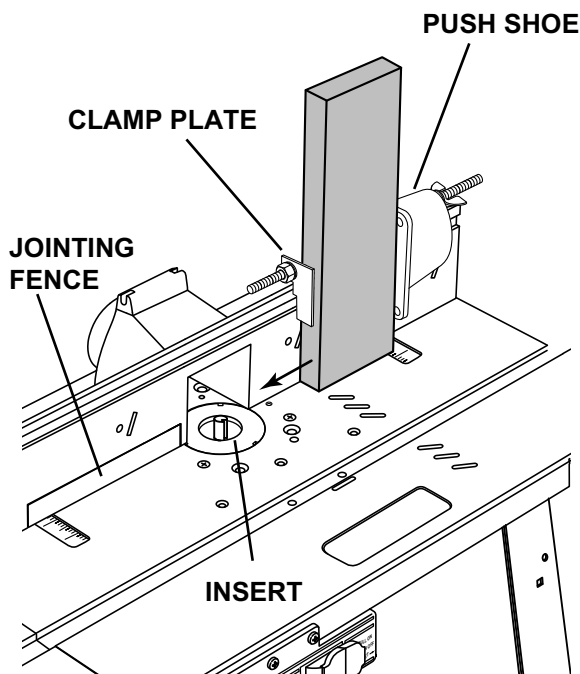


Figure 35

1. Place correct insert into hole in table. See Figure 35.
2. Lock the jointing fence in the fully retracted position.
3. At the end of the board where the cut will occur, use a soft pencil to mark line #1. This indicates the depth of the cut (how much wood to be removed). Then mark another line #2, indicating the height of the tenon. See Figure 32, page 32.
4. Place your board so that it is snug against the push shoe and clamp plate, with its side against the face of the fence. Lines #1 and #2 should be near the bit; the end of the workpiece should be on the edge of the insert hole.
5. Making sure the clamp plate continues to hold the workpiece. Tighten the wing nut on the clamp rod.

**CAUTION** Do not overtighten wing nut. Overtightening may cause binding in the push shoe's motion, which in turn may produce "steps" or other variations in the tenon.

**NOTE:** For deep work, make successive cuts until you reach the correct depth. To avoid overloading router, remove waste material as you go.

6. Move fence and board, and adjust the router, so the board contacts the outer edge of the router bit at line #1 and the cutting edge of the bit contacts line #2. Clamp down fence and secure router.

7. Move push shoe with workpiece slightly back from the router bit.
8. Use switch to turn on router.  
Holding push shoe/workpiece with both hands at a safe distance from rotating bit, slide workpiece toward and across bit. Make a complete pass of workpiece without stopping.
9. Turn off router at switch box.
10. Declamp workpiece, returning push shoe to other side of router bit.
11. Clamp and position the opposite side of workpiece (see Step 4). Repeat Steps 7, 8, and 9.
12. When cutting ends of tenon, clamp and position workpiece as described in Step 4, except hold edge of workpiece flush on face of fence, and rest end to be cut on top of the router table. Repeat Steps 7, 8, and 9.

**NOTE:** For all four sides of tenon, make just one pass, cutting complete depth of tenon.

**NOTE:** Clamping workpiece with the end to be cut laying on the tabletop can help to minimize any variation in tenon's finished surface that may be caused by irregularities in tabletop flatness.



**CAUTION** When standing in front of router table, feed work from right to left.

## Using the Router as a Jointer

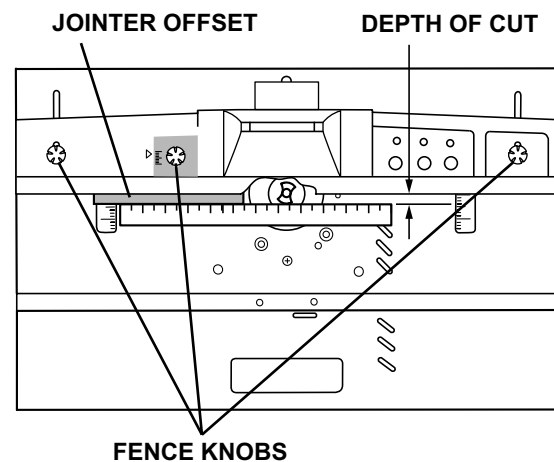


Figure 36

1. Position the fence for the desired depth of cut. Tighten the fence knobs.
2. Place a straight edge against the jointer offset.
3. Loosen the knob holding the jointer offset in place.
4. Slide jointer offset out until the straight edge touches the outside diameter of the router bit. See Figure 36.
5. Tighten the jointer offset knob.
6. Swing the safety shield over the router bit.
7. Your router/router table is ready to use.

**NOTE:** Try a piece of scrap wood to check for correct adjustment.

## Using the Fence with Board for Larger Workpieces

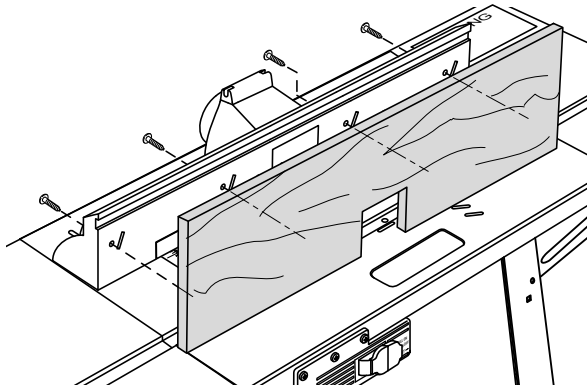


Figure 37

Three holes in the fence allow for mounting of a 8-inch high (maximum) board for safe and secure routing of larger workpieces.

1. Remove push shoe from fence.
2. Attach board to fence with 4 woodscrews (not provided). See Figure 37.
3. Board can be notched out prior to routing or router bit profile can be made in board by driving board through router bit.
4. Position the fence to the desired depth of the cut. Tighten the fence knobs.
5. Securely tighten the router bit, and make sure the router is properly assembled to the router table as previously detailed in this manual.
6. Your router/router table is ready to rout large workpieces.

## Routing Without Push Shoe, Safety Shield, and/or Fence

For many jobs you must remove the fence from the router table.

**WARNING** Using the router without the safety shield and fence in place can lead to serious personal injury. Use extreme caution. Operate the router without safety shields and fence **ONLY** when absolutely necessary, and always with ball-bearing-guided router bits.

**WARNING** Feed workpiece against the router bit's direction of rotation. Unplug router prior to changing the bit, modifying settings, or making any other adjustments.

---

## Inside Routing

1. Place your workpiece on the table relative to the router bit as shown in Figure 38.

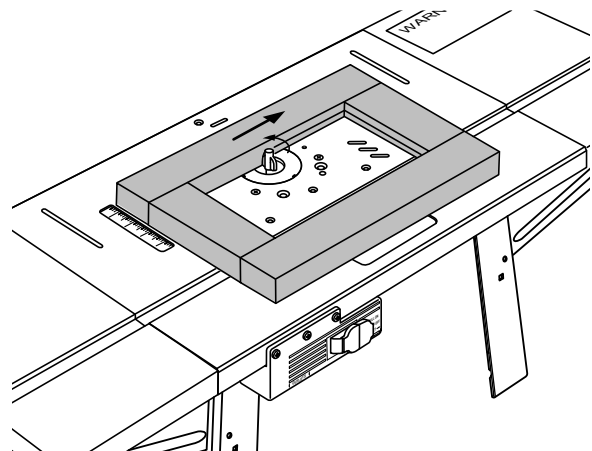


Figure 38

2. Feed your workpiece through the bit in the direction of the arrow. Always feed against the router bit's direction of rotation.

## Outside Routing

1. Place your workpiece on the table relative to the router bit as shown in Figure 39.

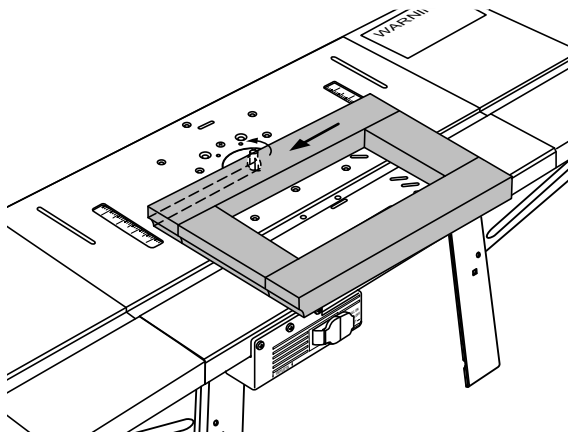


Figure 39

2. Feed your workpiece through the bit in the direction of the arrow. Always feed against the router bit's direction of rotation.

## Routing Irregular Workpieces

**BB, black (1)**



Use starting pin. Use only ball-bearing-guided router bits.

1. With fence removed, remove starting pin from storage hole and thread into mounting hole.
2. Position the workpiece against the starting pin, but clear of the router bit. Turn on router and slowly advance the workpiece toward the bit until it touches the ball-bearing guide and the bit begins to cut wood. Feed workpiece against the rotation of the bit. See Figure 40.

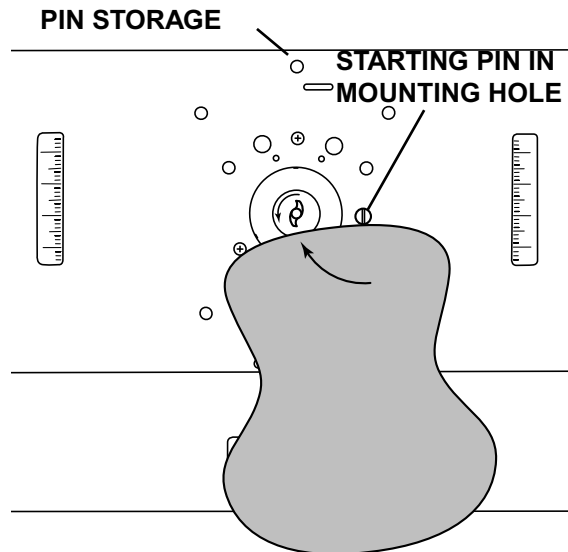


Figure 40

3. Drawing the workpiece along the starting pin (from right to left, in front of the router), feed it through the bit, at the same time pressing it against the ball-bearing guide until the cut is complete. See Figure 41.

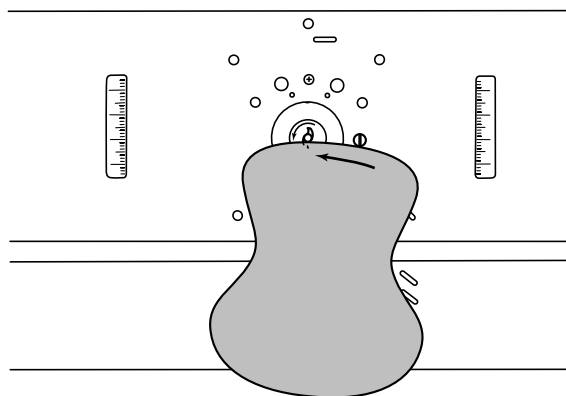


Figure 41

4. When the cut is complete, move the workpiece away from the bit, at the same time keeping it in contact with the starting pin, until it clears the router bit completely. See Figure 41.
5. Using the switch box, turn off router.

## Using the Miter Gauge and Fence

The miter gauge can serve as extra support for routing small workpieces ends of long workpieces.

**WARNING** You must use the security guard when making cuts using the miter guide.

**NOTE:** Make sure fence and miter guide slot are parallel before cutting.

To cut miters, unclamp knob that secures the miter guide head. Turn head up to 60° in either direction. Retighten knob.

**WARNING** Do not allow any body part to be in line with the router bit at any time when the miter guide is in use. Doing so could lead to serious personal injury.

**WARNING** When making cuts using the miter guide, hold the workpiece firmly against the fence, the miter guide, and the table.

(Miter guide for Router Table 6155 shown in Figure 42.)

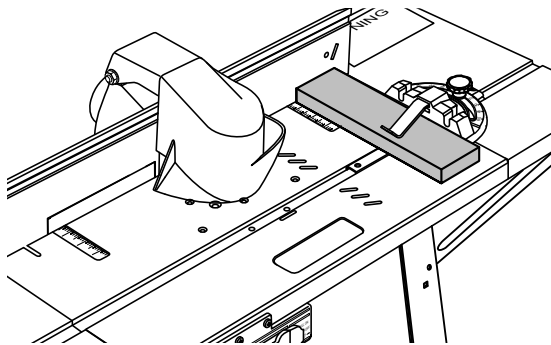
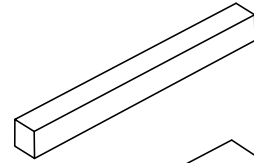


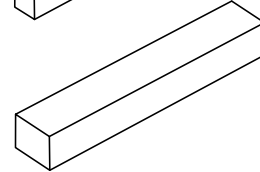
Figure 42

## Using the Dovetail/Box Joint Bars (for Model 6155 Only)

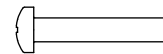
**BC, black (1)**



**BD, black (1)**



**BE, zinc (2)**

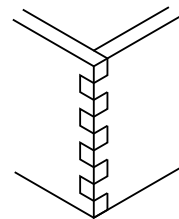


**BF, zinc (2)**

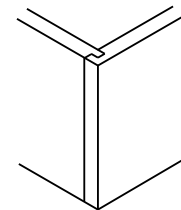


**WARNING** This operation is done without the safety shield and fence in place. Use extreme caution. Do not allow any body part to contact the router bit at any time. Doing so could lead to serious personal injury.

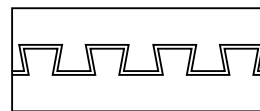
Use the dovetail/box bars to make box joints, combination joints, and dovetail



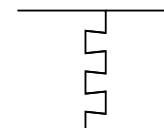
**BOX JOINT**



**COMBINATION JOINT**



**DOVETAIL JOINT**



**JOINING STRAIGHT BOARDS**

Figure 43

## Mounting the Bar

Use spacer bar (either 3/8" or 1/4") to position dovetail/boxjoint bar. Position dovetail/boxjoint bar so that the space between the bar and the bit is equal to the bit and bar width (either 3/8" or 1/4"). For easiest measuring, use the spacer bars provided as a measuring device.

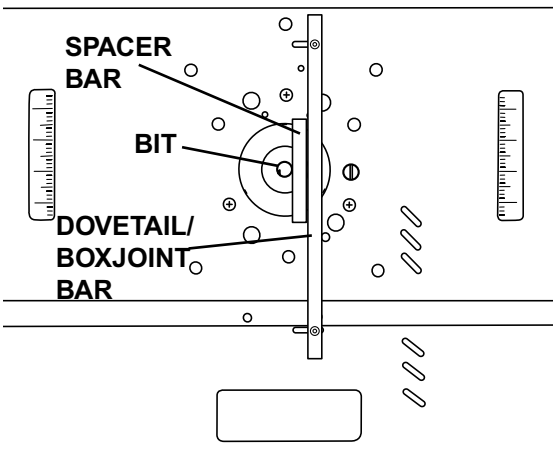


Figure 44

1. Place spacer bar on router table with edge touching outside diameter of (3/8" or 1/4") router bit. See Figure 44.
2. Line up dovetail/box joint bar edge on opposite side of spacer bar.
3. Secure each end of dovetail/box joint bar by inserting a pan head screw (BD) through hole and securing with a hex nut (BE). See Figure 45.

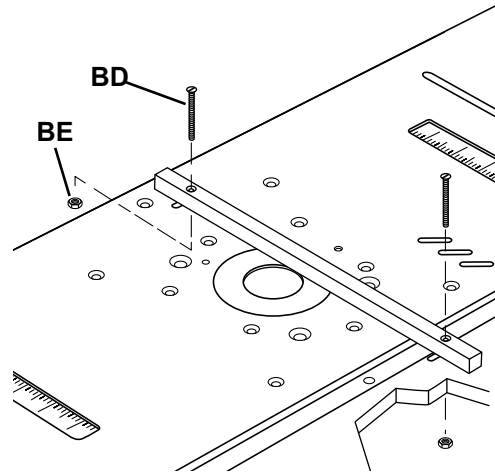


Figure 45

## Making Standard Dovetail Joints and Box Joints

1. Assemble dovetail/box joint bar to table as instructed above.
2. Select two pieces of wood of the same thickness.
3. Adjust router so that the bit height exactly matches the height of one piece of wood laid horizontally. If you wish to sand joint flush after assembly, set cutter slightly deeper. Securely tighten the router bit.
4. Offset the two pieces of wood 1/2" and clamp them together. See Figure 46.

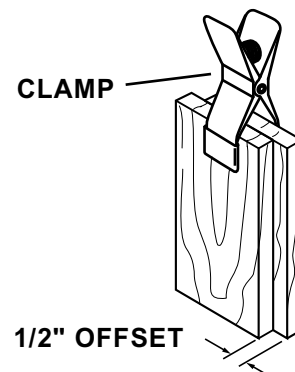


Figure 46

NOTE: Dovetail joint is used to connect (lengthen) two straight boards in this application.

5. Stand them vertically on the router table near the router bit, making sure the bottom of the two wood pieces are flush with the tabletop.
6. With the fence removed and using a block of wood as a push shoe so that the tail is not torn out, run the pieces through the router. This makes your first cut and leaves a tail on piece that was offset. See Figure 47.

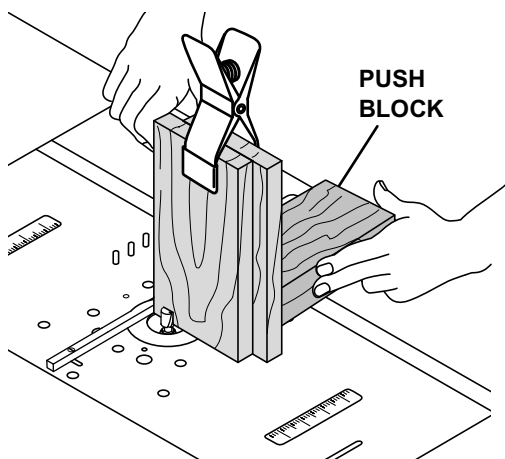


Figure 47

7. Place clamped wood pieces over dovetail/box joint bar with cut straddling bar. Using your first cut as a guide, make the next cut.
8. Continue making your cuts across the entire width of the pieces of wood, using each previous cut as a guide. See Figure 48.

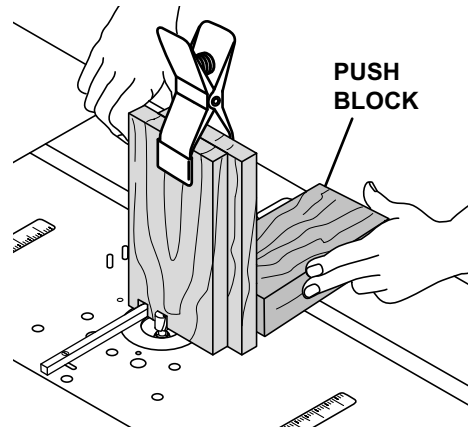


Figure 48

9. Assemble joint and test for fit.

NOTE: Move the dovetail/box joint bar slightly towards the bit to make the joint slightly looser; move the bar away from the bit to make the joint slightly tighter.

---

## Making Combination Joints

A combination joint is comprised of a dado cut and a rabbet cut.

1. Set up router with same 3/8" bit height and the same spacing as for dovetail or box joints.
2. Lay a 3/4" piece of wood on the tabletop. With it snugly against the dovetail bar, run it over the bit. This makes the dado cut. See Figure 49.

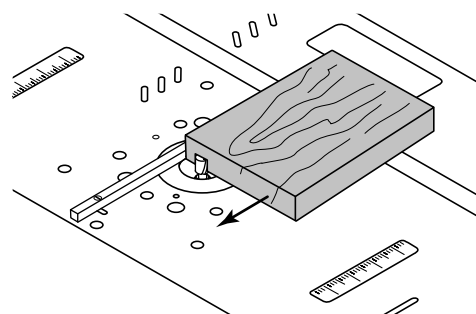


Figure 49



- Use the first piece of wood as an offset to make the next cut. Lay the first piece on the table with the dado cut straddling the dovetail bar. Lay another 3/4" piece of wood on its edge next to the first piece and run it through router bit. This makes the rabbet cut. See Figure 50.

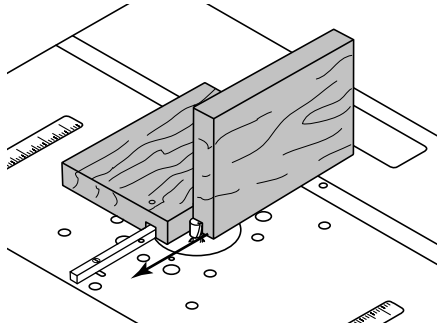


Figure 50

- Assemble the two pieces of wood to make joint.

## Box Construction

In constructing a box shape, for a drawer, for example, you will want to make sure all four sides are even in height; that is, the joints are located in exactly the same location on each piece of wood.

- Use a piece of scrap wood to make a 3/8" or 1/4" dado cut along length of piece.
- Place the 4 pieces of wood you will be using for the sides of the box on the piece of wood on which you just made the dado cut: two in the slots and two in the spaces between the slots. This places the offset on each piece exactly in the same location. See Figure 51.

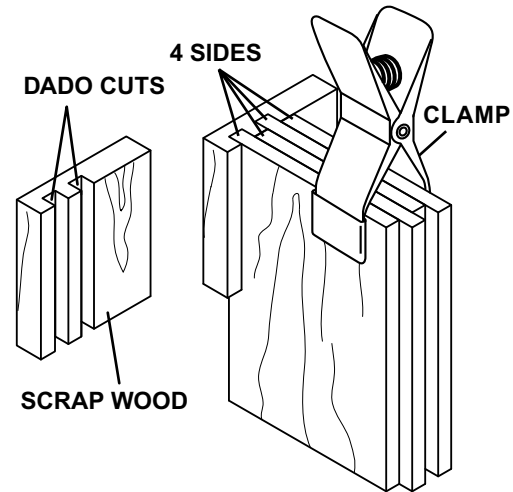


Figure 51

- Set up router, bar and bit in the same configuration as for dovetail/box joints (see page 39).
- Clamp pieces of wood together. Run through router on each side. Sides come out even every time. See Figure 52.

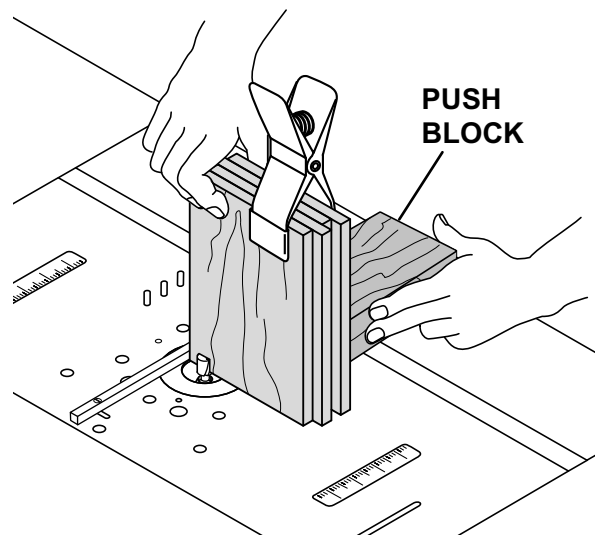


Figure 52

## Using the Featherboard Flaps

The featherboard flaps (AE) provide support for workpieces by holding the pieces securely to help minimize chatter and kickback.

Insert the featherboard flaps into the fence or router table to hold down workpieces.

Holding pressure can be varied by putting long or short end of flaps in fence or table, or by varying the distance of flap end from the fence.

See Figure 53.

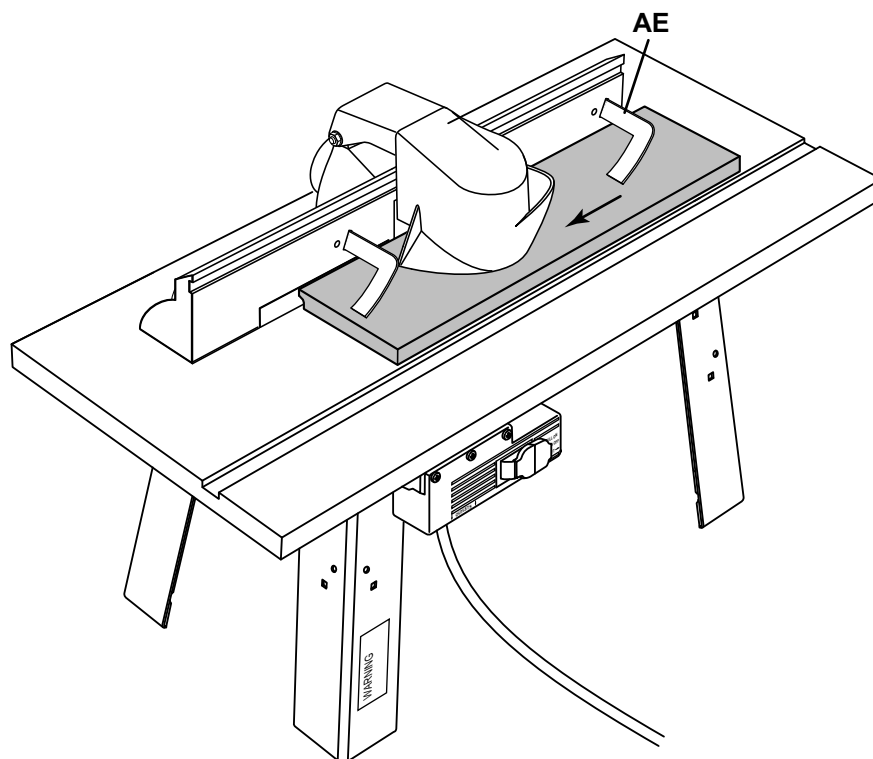
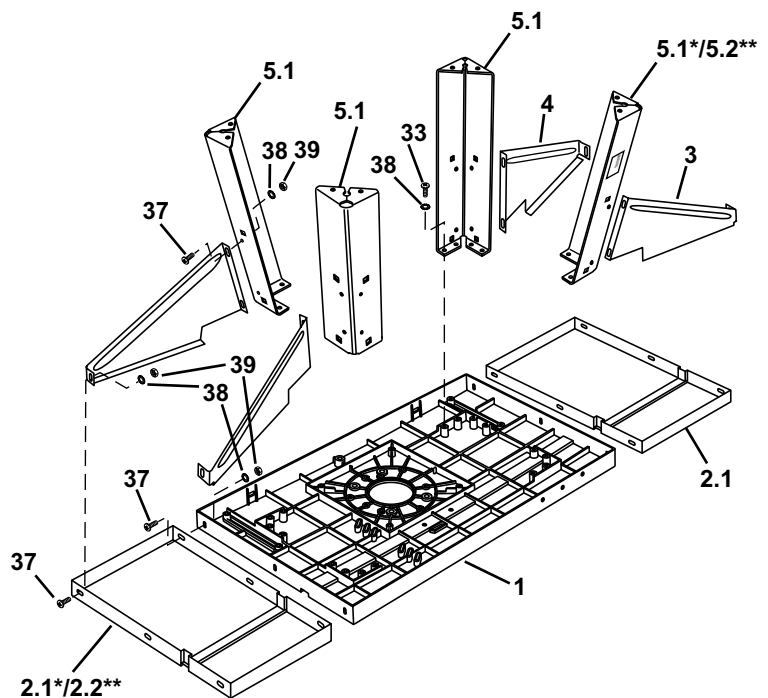
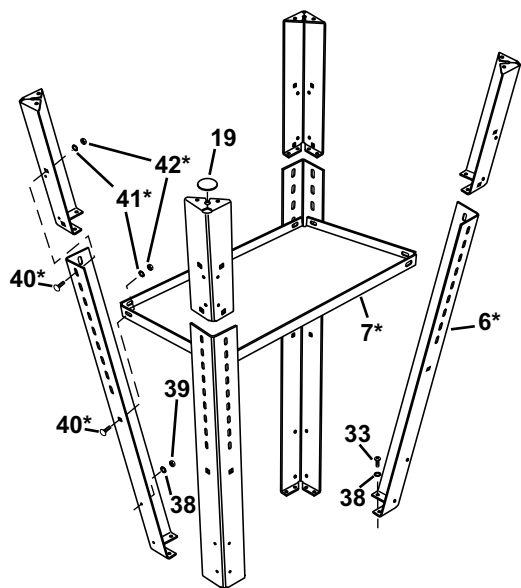
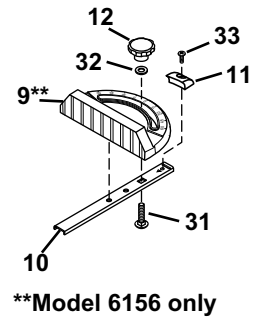
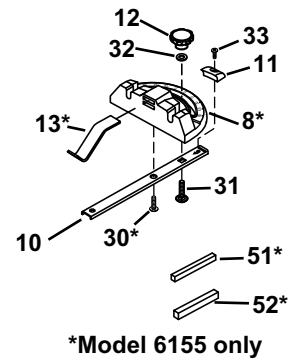
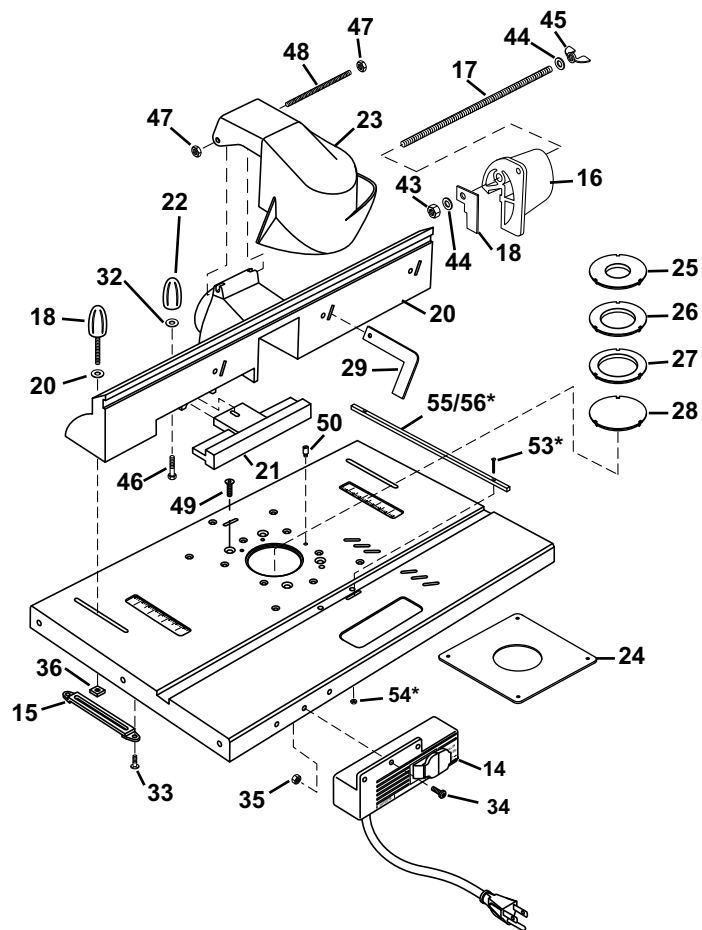


Figure 53

# REPAIR PARTS 6155/6156 Router Table



# REPAIR PARTS 6155/6156 Router Table

## All Parts

KEY NO.	ITEM	PART NO.	DESCRIPTION	QTY.
1	A	116 420 214	Tabletop	1
2.1	B-1	117 020 208	Extension	1
2.2	B-2	119 900 010	Extension, right**	1
3	C	117 020 209	Leg support, left	2
4	D	117 020 210	Leg support, right	2
5.1	E-1	117 020 211	Leg, short	1
5.2	E-2	119 900 012	Leg, short front left**	1
6	F	117 020 212	Leg, long*	4
7	G	117 020 213	Tool tray*	1
8	H	116 420 215	Miter guide head, aluminum*	1
9	J	116 600 134	Miter guide head, plastic**	1
10	K	117 040 133	Miter bar	1
11	L	116 680 221	Miter pointer	1
12	M	116 670 012	Miter guide knob	1
13	N	116 600 136	Miter guide clamp*	1
14	P	117 920 107	Switch box	1
15	Q	116 600 135	Retainer	2
16	R	116 620 249	Push shoe	1
17	S	117 220 180	Clamp rod	1
18	T	117 040 134	Clamp plate	1
19	U	116 680 223	Rubber shoe*	4
20	V	116 620 247	Fence	1
21	W	116 620 248	Jointing fence	1
22	X	116 670 011	Jointing fence knob	1
23	Y	116 680 216	Safety shield	1
24	Z	115 980 005	Square adaptor base plate	1
25	AA	116 680 217	Tabletop insert, small hole	1
26	AB	116 680 218	Tabletop insert, medium hole	1
27	AC	116 680 219	Tabletop insert, large hole	1
28	AD	116 680 220	Tabletop insert, solid	1
29	AE	116 680 222	Feather flap	3
30	AF	116 700 071	Pan head screw (M5x12)*	1
31	AG	116 700 066	Carriage bolt (M6x30)	1
32	AH	116 730 132	Washer (M6)	2
33	AJ	116 710 068	Phillips head screw, self-tapping (M5x12)	21
34	AK	116 700 078	Pan head screw (10-32x1/2)	3
35	AL	116 730 128	Hex nut (10-32)	3
36	AM	116 750 135	Square nut (M6)	2
37	AN	116 700 070	Pan head screw (M5x16)	18
38	AP	116 730 134	Toothed washer (M5)	34
39	AQ	116 730 126	Hex nut (M5)	18
40	AR	116 700 065	Carriage bolt (M6x16)*	24
41	AS	116 730 133	Toothed washer (M6)*	24
42	AT	116 730 125	Hex nut (M6)*	24
43	AU	116 730 129	Hex nut (M8)	1
44	AV	116 730 130	Washer (M8)	2
45	AW	116 730 124	Wing nut (M8)	1
46	AX	116 700 068	Hex head bolt (M6x30)	1
47	AY	116 730 135	Cap nut (M6)	2
48	AZ	117 220 182	Pivot pin	1
49	BA	116 700 080	Flat head countersink screw (10-32x7/8)	4
50	BB	117 220 181	Starter pin	1
51	BC	117 040 139	Spacer bar (1/4)*	1
52	BD	117 040 140	Spacer bar (3/8)*	1
53	BE	116 730 072	Pan head screw (5-40x3/4)*	2
54	BF	116 730 127	Hex nut (5-40)*	2
55	BG	117 040 136	Dovetail/box joint bar (1/4)*	1
56	BH	117 040 137	Dovetail/box joint bar (3/8)*	1

\* Model 6155 only    \*\* Model 6156 only

# REPAIR PARTS 6155 Router Table

## Hardware Bags

	KEY NO.	ITEM	PART NO.	DESCRIPTION	QTY.
Hardware Bag 1 Part # 119 900 879	11	L	116 680 221	Miter pointer	1
	12	M	116 670 012	Miter guide knob	1
	13	N	116 600 136	Miter guide clamp	1
	15	Q	116 600 135	Retainer	2
	19	U	116 680 223	Rubber shoe	4
	22	X	116 670 011	Jointing fence knob	1
	25	AA	116 680 217	Tabletop insert, small hole	1
	26	AB	116 680 218	Tabletop insert, medium hole	1
	27	AC	116 680 219	Tabletop insert, large hole	1
	28	AD	116 680 220	Tabletop insert, solid	1
	29	AE	116 680 222	Feather flap	3
Hardware Bag 2 Part # 119 900 864	33	AJ	116 710 068	Phillips head screw, self-tapping (M5x12)	21
	34	AK	116 700 078	Pan head screw (10-32x1/2)	3
	35	AL	116 730 128	Hex nut (10-32)	3
	36	AM	116 750 135	Square nut (M6)	2
	38	AP	116 730 134	Toothed washer (M5)	34
	39	AQ	116 730 126	Hex nut (M5)	18
Hardware Bag 3 Part # 119 900 865	18	T	117 040 134	Clamp plate	1
	31	AG	116 700 066	Carriage bolt (M6x30)	1
	32	AH	116 730 132	Washer (M6)	2
	37	AN	116 700 070	Pan head screw (M5x16)	18
	43	SU	116 730 129	Hex nut (M8)	1
	44	AV	116 730 130	Washer (M8)	2
	45	AW	116 730 124	Wing nut (M8)	1
	46	AX	116 700 068	Hex head bolt (M6x30)	1
	47	AY	116 730 135	Cap nut (M6)	2
	48	AZ	117 220 182	Pivot pin	1
	49	BA	116 700 080	Flat head countersink screw (10-32x7/8)	4
	50	BB	117 220 181	Starter pin	1
Hardware Bag 4 Part #119 900 866	30	AF	116 700 071	Pan head screw (M5x12)	1
	40	AR	116 700 065	Carriage bolt (M6x16)	24
	41	AS	116 730 133	Toothed washer (M6)	24
	42	AT	116 730 125	Pan head screw (5-40x3/4)	24
	51	BC	117 040 139	Spacer bar, 1/4"	1
	52	BD	117 040 140	Spacer bar, 3/8"	1
	53	BE	116 730 072	Hex nut (M6)	2
	54	BF	116 730 127	Hex nut (5-40)	2

# REPAIR PARTS 6156 Router Table

---

## Hardware Bags

	KEY NO.	ITEM	PART NO.	DESCRIPTION	QTY.
Hardware Bag 1 Part # 119 900 880	11	L	116 680 221	Miter pointer	1
	12	M	116 670 012	Miter guide knob	1
	15	Q	116 600 135	Retainer	2
	22	X	116 670 011	Jointing fence knob	1
	25	AA	116 680 217	Tabletop insert, small hole	1
	26	AB	116 680 218	Tabletop insert, medium hole	1
	27	AC	116 680 219	Tabletop insert, large hole	1
	28	AD	116 680 220	Tabletop insert, solid	1
	29	AE	116 680 222	Feather flap	3
Hardware Bag 2 Part # 119 900 864	33	AJ	116 710 068	Phillips head screw, self-tapping (M5x12)	21
	34	AK	116 700 078	Pan head screw (10-32x1/2)	3
	35	AL	116 750 128	Hex nut (10-32)	3
	36	AM	116 730 135	Square nut (M6)	2
	38	AP	116 730 134	Toothed washer (M5)	34
	39	AQ	116 730 126	Hex nut (M5)	18
Hardware Bag 3 Part # 119 900 865	18	T	117 040 134	Clamp plate	1
	31	AG	116 700 066	Carriage bolt (M6x30)	1
	32	AH	116 730 132	Washer (M6)	2
	37	AN	116 700 070	Pan head screw (M5x16)	18
	43	SU	116 730 129	Hex nut (M8)	1
	44	AV	116 730 130	Washer (M8)	2
	45	AW	116 730 124	Wing nut (M8)	1
	46	AX	116 700 068	Hex head bolt (M6x30)	1
	47	AY	116 730 135	Cap nut (M6)	2
	48	AZ	117 220 182	Pivot pin	1
	49	BA	116 700 080	Flat head countersink screw (10-32x7/8)	4
50	BB	117 220 181	Starter pin	1	

# TABLE DES MATIERES

GARANTIE .....	47
CONSIGNES DE SÉCURITÉ .....	48
DÉBALLER ET VÉRIFIER LE CONTENU.....	49
INTRODUCTION .....	49
CARACTÉRISTIQUES ET FICHE TECHNIQUE .....	50
CONTENU DE L'EMBALLAGE ET LÉGENDE DU MATÉRIEL .....	51
ASSEMBLAGE .....	57

MONTAGE DE LA TOUPILLEUSE .....	66
FIXATION DE LA TABLE À TOUPIE .....	69
BOÎTE D'INTERRUPTEUR .....	70
ASSEMBLAGE DU GUIDE À LA TABLE À TOUPIE .....	73
UTILISATION .....	75
PIÈCES DE RECHANGE .....	86
CARTE DE GARANTIE DU PRODUIT.....	91

# ÍNDICE

GARANTÍA .....	47
INSTRUCCIONES DE SEGURIDAD .....	48
DESEMPAQUE Y REVISIÓN DEL CONTENIDO .....	49
INTRODUCCIÓN .....	49
CARACTERÍSTICAS Y ESPECIFICACIONES .....	50
CONTENIDO DE LA CAJA Y EXPLICACIÓN DE LOS COMPONENTES .....	51
ARMADO .....	57

CÓMO MONTAR LA FRESADORA.....	66
CÓMO FIJAR LA MESA DE LA FRESADORA.....	69
CAJA DEL INTERRUPTOR.....	70
CÓMO ARMAR LA BARRERA GUÍA A LA MESA DE FRESADORA.....	73
OPERACIÓN.....	75
PIEZAS PARA REPARACIÓN.....	86
TARJETA DE PRODUCTO DE LA GARANTÍA.....	91

## GARANTIE

### GARANTIE ILLIMITÉE

#### GARANTIE

Cette table à toupie **wolcraft®** est garantie contre tout défaut de matériel et de main-d'œuvre, et ce pendant toute la durée de vie du produit. Pendant la durée de la garantie, les obligations du fabricant se limitent au remplacement ou à la réparation, à son choix, du produit ou de toute pièce défectueuse. Cette garantie couvre seulement l'acheteur initial et ne s'applique pas aux conditions survenant suite à : un usage abusif, un usage à mauvais escient, une altération, une négligence, un entretien inadéquat ou une usure normale. Des réparations ou une altération non autorisées du produit annuleront cette garantie dans son intégralité.

Si vous remarquez un défaut dans le matériel ou la main d'œuvre, veuillez contacter le service à la clientèle **wolcraft®** par courrier électronique au [customer.service@woa.wolcraft.com](mailto:customer.service@woa.wolcraft.com), par téléphone au 630.773.4777, par télécopieur au 630.773.4805, ou par courrier au 333 Swift Road, Addison, Illinois 60101. Des directives vous seront données pour résoudre le problème ou, si le problème ne peut être solutionné, on vous indiquera comment retourner le produit au fabricant pour réparation ou remplacement.

#### LIMITATION DE RESPONSABILITÉ

Le fabricant ne pourra être tenu responsable de la perte ou de dommages quels qu'ils soient y compris accidentels ou indirects, résultant directement ou indirectement de l'utilisation de ce produit.

Certains états n'autorisent pas l'exclusion ou la limitation des dommages accidentels ou indirects, par conséquent la limitation ou l'exclusion stipulée ci-dessus ne s'applique pas à vous. L'utilisateur assume tous les risques ou responsabilités relatifs à l'installation ou l'utilisation de ce produit.

Cette garantie vous donne des droits spécifiques reconnus par la loi et vous pouvez également profiter d'autres droits qui varient selon les états.

**LA GARANTIE EXPRESSE CONTENUE DANS LES PRÉSENTES REMPLACE TOUT AUTRE GARANTIE QUELLE QU'ELLE SOIT EXPRESSE OU IMPLICITE. AUCUNE GARANTIE IMPLICITE DE QUALITÉ MARCHANDE N'EST PROPOSÉE ET IL N'EXISTE AUCUNE GARANTIE QUI COUVRIRAIT PLUS QUE CE QUI EST DÉCRIT CI-CONTRE.**

#### CARTE DE GARANTIE

Veuillez remplir la carte de garantie ci-jointe et l'envoyer par courrier à **wolcraft®** dans les 30 jours suivant la date d'achat; **vous pouvez également remplir la carte en ligne à [www.wolcraft.com](http://www.wolcraft.com)**. Négliger d'envoyer cette carte n'affectera pas vos droits à la garantie, si vous pouvez justifier d'une autre façon que vous étiez l'acheteur initial du produit. Il n'en reste pas moins qu'envoyer cette carte est un moyen pratique d'inscrire la date de votre achat dans nos dossiers et nous apporte des renseignements commerciaux qui nous aideront à répondre à vos besoins à l'avenir.

## GARANTÍA

### GARANTÍA LIMITADA DE POR VIDA

#### GARANTÍA

Esta mesa para fresadora **wolcraft®** está garantizada contra defectos en material y mano de obra durante la vida del producto. La obligación del fabricante bajo esta garantía está limitada al reemplazo o reparación, a su opción, del producto o de cualquier parte defectuosa del mismo. Esta garantía se extiende al primer comprador solamente y no aplica a condiciones que resulten de abuso, mal uso, alteración, negligencia, mantenimiento inadecuado, o rotura y desgaste normales. Las reparaciones no autorizadas o manejo indebido del producto anulará esta garantía en su totalidad.

Si encuentra un defecto en material o mano de obra, contacte el Departamento de Servicio a Clientes de **wolcraft®** por e-mail en [customer.service@woa.wolcraft.com](mailto:customer.service@woa.wolcraft.com), por teléfono al 630.773.4777, por fax al 630.773-4805, o por correo normal a 333 Swift Road, Addison, Illinois 60101, se le darán instrucciones sobre cómo resolver el problema o, si el problema no se puede resolver, sobre cómo devolver el producto al fabricante para reparación o reemplazo.

#### LIMITACIÓN DE LA RESPONSABILIDAD

El fabricante no será responsable por pérdida o daño de cualquier clase incluyendo daños incidentales o consecuentes que resulten ya sea directa o indirectamente del uso de este producto.

Algunos estados no permiten la exclusión o limitación de daños incidentales o consecuentes por lo que la limitación o exclusión anterior puede no ser aplicable para usted. El usuario asume todos los riesgos y responsabilidad respecto a la instalación o uso de este producto. Esta garantía le da derechos legales específicos y es posible que usted también tenga otros derechos que varían de estado a estado.

**LA EXPLÍCITA GARANTÍA EN EL PRESENTE ES EN LUGAR DE CUALQUIER OTRA GARANTÍA, EXPRESA O IMPLÍCITA. NO SE HACE GARANTÍA IMPLÍCITA DE COMERCIABILIDAD Y NO NO HAY GARANTÍAS QUE SE EXTIENDAN MÁS ALLÁ DE LA DESCRIPCIÓN EN LA CARÁTULA DE LA MISMA.**

#### TARJETA DE GARANTÍA

Sírvase completar la información de la tarjeta de garantía adjunta y envíela por correo a **wolcraft®** dentro de los 30 días a partir de la compra, o **complete la tarjeta en línea en [www.wolcraft.com](http://www.wolcraft.com)**. La omisión en suministrar esta tarjeta no afectará adversamente sus derechos de garantía si de otra manera puede demostrar en forma razonable que usted fue el comprador original del producto. Sin embargo, enviar esta tarjeta es una manera conveniente de establecer en nuestros archivos la fecha de su compra y nos ayuda a satisfacer mejor sus necesidades en el futuro.

# CONSIGNES DE SÉCURITÉ

Les articles portant sur la sécurité dans ce manuel sont étiquetés avec les mentions AVERTISSEMENT et MISE EN GARDE.



## AVERTISSEMENT

signifie que négliger de respecter les instructions de sécurité risque de provoquer des détériorations importantes, des blessures graves, voire même la mort.



## MISE EN GARDE

signifie que négliger de respecter les instructions de sécurité risque de provoquer des détériorations minimes ou moyennes, ou des détériorations des biens ou de l'équipement.



## AVERTISSEMENT

### LIRE TOUTES LES CONSIGNES DE SÉCURITÉ AVANT L'UTILISATION

Lire consciencieusement le manuel d'utilisation. Retenir ses applications et ses restrictions ainsi que les risques éventuels particuliers.

### METTRE À LA TERRE TOUS LES OUTILS (À MOINS QU'ILS NE COMPORTENT UNE DOUBLE ISOLATION)

Si votre outil est équipé d'un cordon à 3 conducteurs et d'une prise de mise à la terre à 3 broches homologués pour s'adapter à la prise de type de mise à la terre appropriée. Le conducteur vert dans le cordon est le câble de mise à la terre. Ne JAMAIS brancher le câble vert sur une borne interactive.

### RESTER ÉLOIGNÉ DES MATIÈRES DANGEREUSES

L'allumage normal du moteur risque d'enflammer des fumées, des liquides inflammables ou des combustibles.

### SE PROTÉGER DES BLESSURES

NE PAS UTILISER d'outil si vous êtes sous l'influence de drogues, d'alcool ou de médicaments.

### PORTER DES VÊTEMENTS PROTECTEURS

Ne pas porter de vêtements lâches, de gants, de cravate, de bijoux qui peuvent être happés et tirés par des pièces mobiles. TOUJOURS porter des souliers antidérapants. Attacher les cheveux longs. Rouler les manches longues au-dessus des coudes.

### PORTER DES LUNETTES DE PROTECTION

Porter des lunettes de protection (conformes aux normes ANSI Z87.1) EN PERMANENCE. Porter également un masque facial ou un masque antipoussière lorsque les opérations de coupe sont poussiéreuses et utiliser des protecteurs d'oreilles (protège-tympans ou serre-tête) lors d'une utilisation prolongée.

### ÉVITER LES DÉMARRAGES INTEMPESTIFS

S'assurer que tous les interrupteurs sont bien en position " ARRÊT " avant d'effectuer le branchement.

### NE JAMAIS SE TENIR DEBOUT SUR L'OUTIL

Si l'outil bascule ou si l'outil de coupe démarre accidentellement, cela risque de causer des blessures graves. NE PAS ranger de matériaux sur ou à proximité de l'outil, obligeant à se mettre debout sur l'outil pour les atteindre.

### PROTÉGER ET UTILISER DES CORDONS ADAPTÉS

Ne JAMAIS porter l'outil par le cordon ou le tirer pour le débrancher de la prise. Protéger le cordon de la chaleur, de l'huile et des extrémités coupantes. Pour une utilisation occasionnelle à l'extérieur, utiliser des rallonges prévues à cet effet.

### ÉVITER LES ENVIRONNEMENTS DANGEREUX

NE PAS utiliser d'outils électriques dans des endroits humides, mouillés ou soumis à la pluie Garder l'aire de travail bien éclairée et fournir une aire de travail adéquate.

### VÉRIFIER LES PIÈCES ENDOMMAGÉES

Avant d'utiliser l'outil davantage, il est nécessaire de vérifier soigneusement toute pièce endommagée afin d'assurer qu'il fonctionne correctement et selon ses spécifications. Vérifier l'alignement de toute partie mobile, le gauchissement, le bris, l'assemblage et toute autre condition pouvant influencer la performance. Une protection ou toute autre pièce endommagée doit être correctement réparée ou remplacée.

### VÉRIFIER LA DIRECTION D'ALIMENTATION

L'alimentation s'engage dans une lame ou une fraise dans le sens de rotation opposé de la lame ou de la fraise seulement.

### NE JAMAIS LAISSER L'OUTIL EN FONCTIONNEMENT SANS SURVEILLANCE

Mettre l'appareil hors tension. Ne pas laisser l'outil sans surveillance avant qu'il ne soit complètement arrêté.

# INSTRUCCIONES DE SEGURIDAD

En todo este manual, los aspectos de seguridad están etiquetados con las palabras ADVERTENCIA y PRECAUCIÓN.



## ADVERTENCIA

significa que la omisión en apearse a esta manifestación de seguridad puede resultar en daño extenso al producto, lesiones personales graves, o la muerte.



## PRECAUCIÓN

significa que la omisión en apearse a esta manifestación de seguridad puede resultar en lesiones personales menores o moderadas, o daño al equipo o propiedades.



## ADVERTENCIA

### LEA TODAS LAS INSTRUCCIONES DE SEGURIDAD ANTES DE USARSE

Lea cuidadosamente el manual del propietario. Aprenda sus aplicaciones y limitaciones así como los peligros potenciales específicos.

### CONECTE A TIERRA TODAS LAS HERRAMIENTAS (A MENOS QUE SEAN DOBLEMENTE AISLADAS)

Si la herramienta está equipada con un cordón de 3 conductores y una clavija de 3 espigas del tipo conexión a tierra para encajar en el receptáculo adecuado tipo conexión a tierra, el conductor verde en el cordón es el conductor de tierra. NUNCA conecte el conductor verde a una terminal viva.

### MANTENGA ALEJADA DE MATERIALES PELIGROSOS

El chisporroteo normal del motor podría encender humos, líquidos inflamables, o combustibles.

### PROTÉJASE CONTRA LESIONES PERSONALES

NO opere ninguna herramienta mientras esté bajo la influencia de drogas, alcohol o cualquier medicamento.

### VÍSTASE PENSANDO EN LA SEGURIDAD

No use ropa suelta, guantes, corbatas, o joyería, ya que estos artículos se pueden atorar y jalarle hacia partes en movimiento. Siempre use calzado que no resbale. Amarre hacia atrás el pelo largo. Enrolle las mangas largas arriba del codo.

### USE LENTES DE SEGURIDAD

Use lentes de seguridad (deben cumplir con ANSI Z87.1) en TODO momento. También, use careta o máscara contra polvo si la operación de corte es polvorienta, y use protector para los oídos (tapones o cubre oídos) durante períodos de operación extensos.

### EVITE ARRANQUES ACCIDENTALES

Asegúrese que todos los interruptores están en la posición "OFF" antes de conectar.

### NUNCA SE PARE EN BANCOS

Puede ocurrir una lesión grave si el banco se voltea o si la herramienta de corte se conecta accidentalmente. NO almacene materiales arriba o cerca de la herramienta que haga necesario pararse en el banco para alcanzarlos.

### PROTEJA Y USE CORDONES ADECUADOS

NUNCA cargue la herramienta por el cordón o le dé un tirón para desconectarlo del receptáculo. Proteja el cordón del calor, aceite y orillas filosas. Para operación temporal a la intemperie, use cordones de extensión diseñados para uso exterior.

### EVITE UN MEDIO AMBIENTE PELIGROSO

NO use herramientas eléctricas en lugares húmedos o mojados o las esponja a la lluvia. Mantenga el área de trabajo bien iluminada y proporcione espacio de trabajo adecuado alrededor.

### REVISE LAS PIEZAS DAÑADAS

Antes de continuar con el uso de la herramienta, una protección o cualquier otra pieza que esté dañada se debe revisar cuidadosamente para asegurarse que funcionará adecuadamente y realizará su función esperada. Verifique la alineación de las partes móviles, atoramiento de partes móviles, rotura de piezas, montaje y cualquier otra condición que pueda afectar su operación. Una protección o cualquier otra pieza que esté dañada se debe reparar adecuadamente o reemplazarse.

### VERIFIQUE LA DIRECCIÓN DE ALIMENTACIÓN

Alimente el trabajo a la cuchilla o cortador solamente en contra de la dirección de rotación de la cuchilla o cortador.

### NUNCA DEJE FUNCIONANDO LA HERRAMIENTA SIN ALGUIEN QUE LA ATIENDA

Apague la alimentación eléctrica. No deje la herramienta sino hasta que se detenga por completo.



<p><b>AVERTISSEMENT</b> SUITE</p> <p><b>FIXER LA TABLE À TOUPIE</b> NE PAS essayer d'utiliser la table à toupie avant qu'elle ne soit fermement fixée sur l'établi ou qu'elle ne soit stable sur le sol.</p> <p><b>GARDER LES MAINS LOINS DE L'AIRE DE COUPE</b></p>	<p><b>DÉBRANCHER LES OUTILS AVANT L'ENTRETIEN</b> Lors du changement des forets, veiller à ce que la toupilleuse soit débranchée.</p> <p><b>LAISSER TOUTES LES PROTECTIONS EN PLACE</b> S'assurer que les protections sont en bon état de fonctionnement, correctement réglées et alignées.</p>
<p><b>MISE EN GARDE</b></p> <p><b>RANGER CORRECTEMENT L'OUTIL</b> Ne pas ranger la table à toupie à l'extérieur ou dans un endroit humide.</p> <p><b>GARDER L'AIRE DE TRAVAIL PROPRE</b> Garder TOUJOURS l'aire de travail propre, nette et bien éclairée. NE PAS travailler ou placer les pieds de la table à toupie sur un sol avec de la sciure, de l'huile, de l'eau ou de la cire qui risquent de le rendre glissant.</p> <p><b>NE PAS FORCER LES OUTILS</b> Ne pas forcer un outil ou ses fixations à effectuer une tâche pour laquelle il n'a pas été conçu. Il fonctionnera au mieux de ses performances et sans risque à la vitesse pour laquelle il a été conçu.</p> <p><b>UTILISER DES PINCES POUR MAINTENIR LES PIÈCES SI BESOIN EST</b> Pour maintenir les pièces, il est plus sûr d'utiliser des pinces que les mains. Cela permet également de libérer les deux mains pour utiliser l'outil.</p> <p><b>NE PAS DÉPASSER LA PORTÉE DE L'OUTIL</b> Maintenir en tout temps un bon équilibre avec les pieds bien au sol.</p>	<p><b>ENTRETIENIR SOIGNEUSEMENT LES OUTILS</b> Les garder aiguisés et propres pour une performance et une sécurité maximales. Suivre les instructions pour le graissage et le changement des accessoires.</p> <p><b>UTILISER LES ACCESSOIRES RECOMMANDÉS</b> Consulter ce manuel pour connaître les accessoires recommandés. Suivre les instructions qui accompagnent les accessoires. L'utilisation d'accessoires non adaptés risque d'être dangereuse.</p> <p><b>ENLEVER TOUTES LES CLÉS DE RÉGLAGE</b> Prendre l'habitude de vérifier si toutes les clés de réglage sont enlevées de l'outil avant de mettre l'outil sous tension.</p> <p><b>ASSURER LA SÉCURITÉ DES AUTRES</b> Les visiteurs et les enfants doivent rester à une distance sécuritaire de l'aire de travail, particulièrement lors de l'utilisation d'un outil électrique. Les visiteurs doivent porter un équipement sécuritaire identique à celui de l'opérateur.</p> <p><b>CONSERVER CES INSTRUCTIONS</b></p>
<p><b>ADVERTENCIA</b> CONTINUACIÓN</p> <p><b>ASEGURE LA MESA DE LA FRESADORA</b> NO intente utilizar su mesa de fresadora a meno que esté firmemente fijada a su banco de trabajo o descance establemente en el piso.</p> <p><b>MANTENGA LAS MANOS ALEJADAS DEL ÁREA DE CORTE.</b></p>	<p><b>DESCONECTE LAS HERRAMIENTAS ANTES DE DARLES SERVICIO</b> Cuando cambie las brocas, asegúrese que la fresadora esté desenchufada.</p> <p><b>MANTENGA TODAS LAS PROTECCIONES EN SU LUGAR</b> Asegúrese que las protecciones estén en buenas condiciones de trabajo, correctamente ajustadas y alineadas.</p>
<p><b>PRECAUCIÓN</b></p> <p><b>MANTENGA LIMPIA EL ÁREA DE TRABAJO</b> SIEMPRE mantenga su área de trabajo limpia, sin desorden y bien alumbrada. NO trabaje en, o coloque las patas de la mesa para fresadora en, superficies del piso que estén resbalosas por aserrín, aceite, agua o cera.</p> <p><b>NO FUERCE LA HERRAMIENTA</b> No fuerce la herramienta o el accesorio para hacer un trabajo para el cual no se diseñó. Hará un trabajo mejor y con mayor seguridad a la capacidad para la cual se diseñó.</p> <p><b>UTILICE PRENSAS PARA SUJETAR LA PIEZA DE TRABAJO CUANDO SEA PRÁCTICO</b> El uso de prensas para sujetar la pieza de trabajo es más seguro que usar su mano. También libera ambas manos para operar la herramienta.</p> <p><b>NO SE EXCEDA EN TRATAR DE ALCANZAR ALGO</b> Mantenga firmes y balanceados los pies en todo momento.</p> <p><b>CONSERVE ESTAS INSTRUCCIONES</b></p>	<p><b>CUIDE EL MANTENIMIENTO DE LAS HERRAMIENTAS</b> Para un mejor funcionamiento mantenga las herramientas afiladas y limpias. Siga las instrucciones de lubricación y cambio de accesorios.</p> <p><b>UTILICE LOS ACCESORIOS RECOMENDADOS</b> Consulte este manual sobre los accesorios recomendados. Siga las instrucciones que acompañan a los accesorios. El uso de accesorios inadecuados puede causar riesgos.</p> <p><b>RETIRE LAS LLAVES Y HERRAMIENTAS DE AJUSTE</b> Forme el hábito de verificar para ver que las llaves y herramientas de ajuste se quitaron de la herramienta antes de encenderla.</p> <p><b>ASEGURE LA SEGURIDAD DE LOS DEMÁS</b> Mantenga a los visitantes y niños a una distancia segura lejos del área de trabajo, especialmente cuando está operando una herramienta eléctrica. Los visitantes deben usar el mismo equipo de seguridad que el operador.</p>

## DÉBALLER ET VÉRIFIER LE CONTENU

**IMPORTANT** : Sortir toutes les pièces de l'emballage et vérifier chaque article par rapport à la liste de pièces figurant à la page 51 de ce manuel.

Votre table à toupie **wolfcraft®** est complète dans un carton lorsqu'elle vous est expédiée. S'assurer que tous les articles ont été comptés avant de jeter l'emballage.

## DESEMPACADO Y REVISIÓN DEL CONTENIDO

**IMPORTANTE**: Separe todas las piezas de los materiales de empaque y revise cada artículo contra el contenido del paquete listado en este manual, que se encuentra en la página 94.

Su mesa para fresadora **wolfcraft®** se embarca completa en una caja. Asegúrese que todos las piezas se consideraron antes de desechar cualquier material de empaque.

## INTRODUCTION

La table à toupie **wolfcraft®** est conçue pour vous fournir un moyen économique d'augmenter les utilisations de votre toupilleuse.

Nous sommes certains que la table à toupie **wolfcraft®** sera un ajout précieux à votre atelier.

**REMARQUE** : Vous trouverez dans ce manuel les instructions d'assemblage, d'installation, d'utilisation et une liste des pièces pour les modèles de table à toupie 6155 et 6156.

## INTRODUCCIÓN

La mesa para fresadora **wolfcraft®** está diseñada para proporcionar un modo económico para extender las posibilidades de su fresadora.

Tenemos la certeza que encontrará que la mesa para fresadora es una valiosa adición a su taller.

**NOTA**: Este manual cubre las instrucciones de armado, ajuste, operación y lista de piezas tanto para la Mesa de Fresadora modelo 6155 y la Mesa de Fresadora modelo 6156.

## CARACTÉRISTIQUES ET FICHE TECHNIQUE

6155 & 6156 Aire de travail de la table .....	570 pouces carrés
6155 Poids de la table .....	50 lb
6156 Poids de la table .....	30 lb
6155 Hauteurs de travail .....	32 po à 38 po
6156 Hauteur de travail .....	14 po
6155 Dimensions .....	14-1/4 po l x 40-1/2 po L x 32-38 po H
6156 Dimensions .....	14-1/4 po l x 40-1/2 po L x 14 po H

## CARACTERÍSTICAS SOBRESALIENTES Y ESPECIFICACIONES

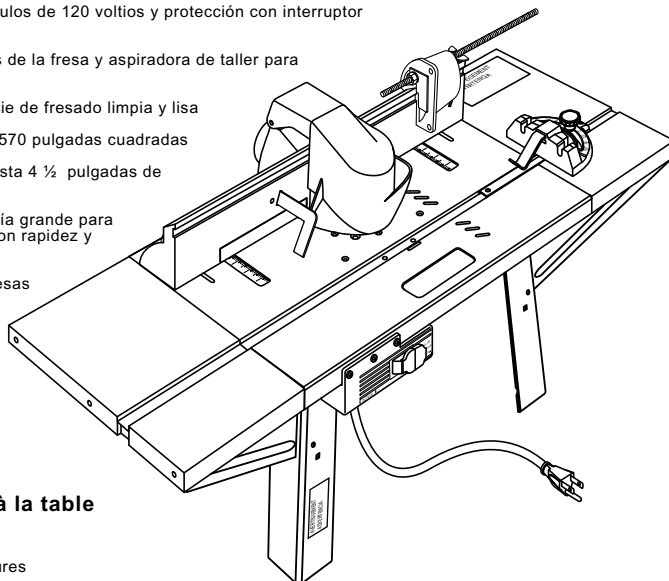
Espacio de trabajo de las mesas 6155 y 6156 .....	570 pulgadas cuadradas
Peso de la mesa 6155 .....	50 libras
Peso de la mesa 6156 .....	30 libras
Altura de trabajo de 6155 .....	32 a 38 pulgadas
Altura de trabajo de 6156 .....	14"
Dimensiones de 6155 .....	14 ¼ A x 40 ½ L x 32-38 pulgadas
Dimensiones de 6156 .....	14 ¼ A x 40 ½ L x 14 pulgadas

### Voici quelques-unes des caractéristiques de la table à toupie modèles 6155 et 6156 :

- Guide monocoque permettant de monter des planches jusqu'à 8 po
- Interrupteur à clé monté à l'avant avec deux prises de 120 volts et une protection du disjoncteur
- Des prises accessibles par la base supportent que la toupilleuse et les prises de l'aspirateur de l'atelier fonctionnent simultanément.
- Partie supérieure en aluminium moulé sous pression pour une surface lisse et propre pour toupiller
- Rallonges en acier renforcé pour 570 pouces carrés de surface de travail
- Semelle arrière verticale permettant de couper verticalement des planches jusqu'à 4-1/2 po de largeur
- Les guides de mesure de la table comprennent des échelles et un grand guide à onglets pour couper rapidement et avec précision des angles droits ou de 0 à 60°.
- Plaque d'ajustage de toupilleuse universelle, s'adapte à pratiquement toutes les toupilleuses
- Planches à lamelles montées sur le guide

### Las características de las mesas para fresa 6155 y 6156 incluyen:

- Barrera guía unificada que permite montar tablas de hasta 8 pulgadas
- Interruptor de energía con llave montado al frente con dos receptáculos de 120 voltios y protección con interruptor automático
- Tomas de corriente accesibles por el fondo que aceptan las clavijas de la fresa y aspiradora de taller para encender ambas al mismo tiempo
- Tablero de aluminio fundido a presión que proporciona una superficie de fresado limpia y lisa
- Extensiones reforzadas de acero para una superficie de trabajo de 570 pulgadas cuadradas
- Apoyo de empuje vertical que permite corte vertical de tablas de hasta 4 ½ pulgadas de ancho
- Las guías de medición del tablero de la mesa incluyen escalas y guía grande para corte de ingletes para hacer cortes rectos y a ángulos de 0 a 60° con rapidez y precisión.
- Placa universal adaptadora de fresas, se adapta a la mayoría de fresas
- Tablas de sujeción montadas en la barrera guía
- Combinación de recolector de polvos y protección de seguridad



### Voici les caractéristiques supplémentaires propres à la table à toupie 6155 :

- Gabarit exclusif d'assemblage en queue d'aronde et de joint à rainures
- Pieds à hauteur réglable fournissant un montage au sol de 32 à 38 po
- Plateau de rangement métallique

### Las características adicionales de la mesa para fresa 6155 incluyen:

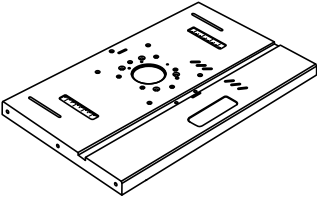
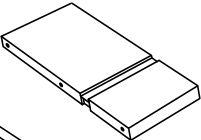
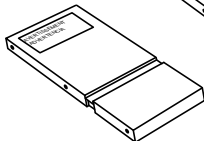
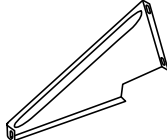
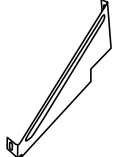
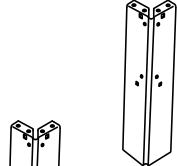

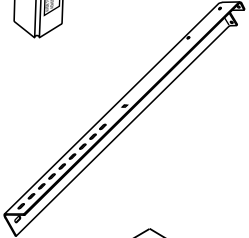
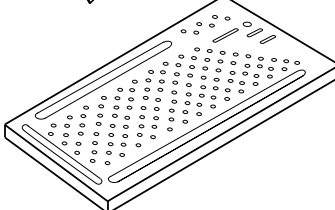
- Plantilla exclusiva para cortar ensambladuras cola de milano y de caja
- Patas de altura ajustable que proporcionan montaje en piso de 32 a 38 pulgadas
- Bandeja de acero para guardar

## CONTENU DE L'EMBALLAGE ET LÉGENDE DU MATÉRIEL

REMARQUE : Sauf indication contraire, toutes les pièces sont communes aux modèles 6155 et 6156.

## CONTENIDO DE LA CAJA Y EXPLICACIÓN DE LOS COMPONENTES

NOTA: A menos que se indique de otra manera, todas las piezas son comunes para los modelos 6155 y 6156.

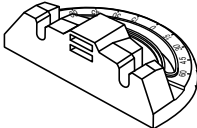
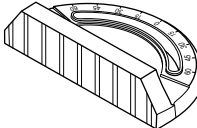
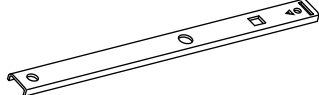


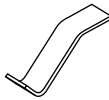
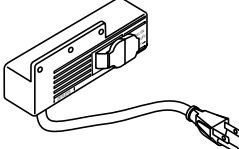
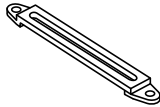



ARTICLE ARTÍCULO	DESCRIPTION DESCRIPCIÓN	QTÉ CANT.		
A	Surface de la table Tablero de la mesa	1	A	
B-1	Rallonge Extensión	6155: 2 6156: 1	B-1	
B-2	Rallonge, droit (modèle 6156 seulement) Extensión, derecha (únicamente para el modelo 6156)	1	B-2	
C	Support de pied, gauche Pata soporte, izquierda	2	C	
D	Support de pied, droit Pata soporte, derecha	2	D	
E-1	Pied, court Pata, corta	6155: 4 6156: 3	E-1	
E-2	Pied, court (avant gauche) (modèle 6156 seulement) Pata, corta (frentel izquierdo) (modelo 6156 solamente)	1	E-2	
F	Pied, long (modèle 6155 seulement) Pata, larga (modelo 6155 solamente)	4	F	
G	Plateau à outils (modèle 6155 seulement) Bandeja de herramientas (modelo 6155 solamente)	1	G	

## CONTENU DE L'EMBALLAGE ET LÉGENDE DU MATÉRIEL (suite)

REMARQUE : Sauf indication contraire, toutes les pièces sont communes aux modèles 6155 et 6156.

## CONTENIDO DE LA CAJA Y EXPLICACIÓN DE LOS COMPONENTES (continuación)

NOTA: A menos que se indique de otra manera, todas las piezas son comunes para los modelos 6155 y 6156.


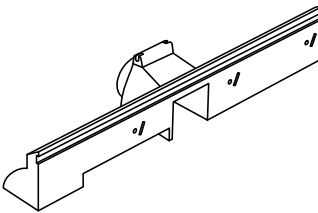
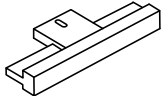

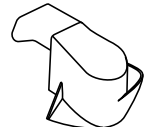
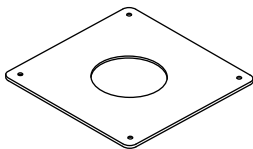




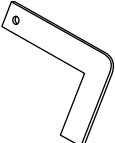
ARTICLE ARTÍCULO	DESCRIPTION DESCRIPCIÓN	QTÉ CANT.		
H	Tête du guide à onglets, aluminium (modèle 6155 seulement)/ Cabeza de guía para ingletes, de aluminio (modelo 6155 solamente)	1	H	
J	Tête du guide à onglets, plastique (modèle 6156 seulement)/ Cabeza de guía para ingletes, de plástico (modelo 6156 solamente)	1	J	
K	Barre à onglets/ Barra para ingletes	1	K	
L	Indicateur à onglets/ Barra para ingletes	1	L	
M	Poignée du guide à onglets/ Mango de la guía de ingletes	1	M	
N	Bride du guide à onglets (modèle 6155 seulement)/ Sujetador de la guía para inglete (modelo 6155 solamente)	1	N	
P	Boîte d'interrupteur/ Caja del interruptor	1	P	
Q	Dispositif de retenue/ Retenedor	2	Q	
R	Semelle arrière/ Apoyo de empuje	1	R	
S	Tige de fixation/ Varilla de sujeción	1	S	
T	Plaque de fixation/ Placa de sujeción	1	T	

## CONTENU DE L'EMBALLAGE ET LÉGENDE DU MATÉRIEL (suite)

REMARQUE : Sauf indication contraire, toutes les pièces sont communes aux modèles 6155 et 6156.

## CONTENIDO DE LA CAJA Y EXPLICACIÓN DE LOS COMPONENTES (continuación)

NOTA: A menos que se indique de otra manera, todas las piezas son comunes para los modelos 6155 y 6156.

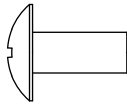
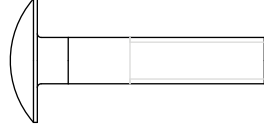
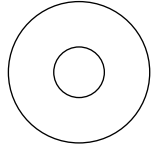
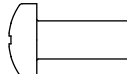
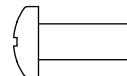
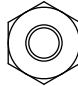

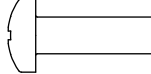


ARTICLE ARTÍCULO	DESCRIPTION DESCRIPCIÓN	QTÉ CANT.		
U	Semelle en caoutchouc (modèle 6155 seulement) Calza de hule (modelo 6155 solamente)	1	U	
V	Guide/ Barrera guía	1	V	
W	Guide d'assemblage (attaché à guide) Barrera guía de ensambladuras	1	W	
X	Poignée de guide d'assemblage Mango de la barrera guía de ensambladuras	1	X	
Y	Écran de protection Protección de seguridad	1	Y	
Z	Plaque adaptatrice carrée de base Placa base del adaptador cuadrado	1	Z	
AA	Insert de la table, petit trou Inserto del tablero de la mesa, orificio pequeño	1	AA	
AB	Insert de la table, trou moyen Inserto del tablero de la mesa, orificio mediano	1	AB	
AC	Insert de la table, grand trou Inserto del tablero de la mesa, orificio	1	AC	
AD	Insert de la table, solide Inserto del tablero de la mesa, sólido	1	AD	
AE	Rabat à lamelles Aleta de sujeción	3	AE	

## CONTENU DE L'EMBALLAGE ET LÉGENDE DU MATÉRIEL (suite)

REMARQUE : Les pièces (vis, écrous, rondelles) sont illustrées en dimension réelle. Sauf indication contraire, toutes les pièces sont communes aux modèles 6155 et 6156.

## CONTENIDO DE LA CAJA Y EXPLICACIÓN DE LOS COMPONENTES (continuación)

NOTA: Accesorios de montaje (tornillos, tuercas, rondanas) se muestran en su tamaño real. A menos que se indique de otra manera, todas las piezas son comunes para los modelos 6155 y 6156.

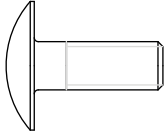

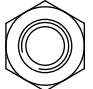
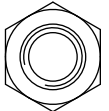
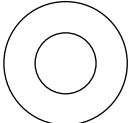
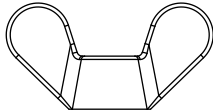

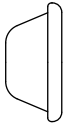
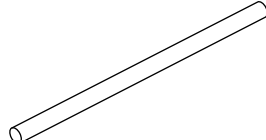
ARTICLE ARTÍCULO	DESCRIPTION DESCRIPCIÓN	QTÉ CANT.		
AF	Vis à tête cylindrique bombée, zinc (M5 x 12) (modèle 6155 seulement) Tornillo de cabeza cónica achatada, zinc (M5 x 12) (modelo 6155 solamente)	1	<b>AF</b>	
AG	Boulon de carrosserie, noir (M6 x 30) Tornillo de coche, negro (M6 x 30)	1	<b>AG</b>	
AH	Rondelle, noire (M6) Rondana, negra (M6)	2	<b>AH</b>	
AJ	Vis à tête Phillips, auto-taradeuse, zinc (M5 x 12)/Tornillo cabeza Phillips, auto roscante, zinc, (M5 x 12)	21	<b>AJ</b>	
AK	Vis à tête cylindrique bombée, noire (10-32x1/2)/Tornillo cabeza cónica achatada, negro (10-32 x 1/2)	3	<b>AK</b>	
AL	Écrou hexagonal, noir (10-32) Tuerca hexagonal, negra (10-32)	3	<b>AL</b>	
AM	Écrou carré, zinc (M6) Tuerca cuadrada, zinc (M6)	2	<b>AM</b>	
AN	Vis à tête cylindrique bombée, noire (M5 x 16)/Tornillo cabeza cónica achatada, negro (M5 x 16)	18	<b>AN</b>	
AP	Rondelle dentée, noire (M5) Rondana dentada, negra	34	<b>AP</b>	
AQ	Écrou hexagonal, noir (M5) Tuerca hexagonal, negra (M5)	18	<b>AQ</b>	

## CONTENU DE L'EMBALLAGE ET LÉGENDE DU MATÉRIEL (suite)

REMARQUE : Les pièces (vis, écrous, rondelles) sont illustrées en dimension réelle. Sauf indication contraire, toutes les pièces sont communes aux modèles 6155 et 6156.

## CONTENIDO DE LA CAJA Y EXPLICACIÓN DE LOS COMPONENTES (continuación)

NOTA: Accesorios de montaje (tornillos, tuercas, rondanas) se muestran en su tamaño real. A menos que se indique de otra manera, todas las piezas son comunes para los modelos 6155 y 6156.

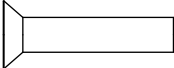

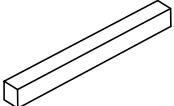
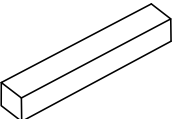
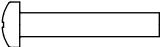
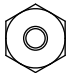
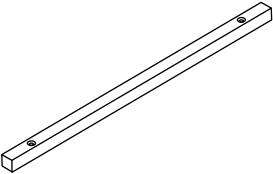
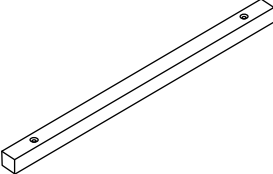
ARTICLE ARTÍCULO	DESCRIPTION DESCRIPCIÓN	QTÉ CANT.		
AR	Écrou de carrosserie, noir (M6 x 16) (modèle 6155 seulement) Tornillo de coche, negro (M6 x 16) (modelo 6155 solamente)	1	AR	
AS	Rondelle dentée, noire (M6) (modèle 6155 seulement)/Rondana dentada, negra (M6) (modelo 6155 solamente)	24	AS	
AT	Écrou hexagonal, noir (M6) (modèle 6155 seulement)/Tuerca hexagonal, negra (M6) (modelo 6155 solamente)	24	AT	
AU	Écrou hexagonal, noir (M8) Tuerca hexagonal, negra (M8)	1	AU	
AV	Rondelle, noire (M8) Rondana, negra (M8)	2	AV	
AW	Écrou à oreilles, noir (M8) Tuerca mariposa, negra (M8)	1	AW	
AX	Boulon à tête hexagonale, zinc (M6 x 30) Tornillo cabeza hexagonal, zinc (M6 x 30)	1	AX	
AY	Écrou borgne, zinc (M6) Tuerca tapa, zinc (M6)	2	AY	
AZ	Axe de pivotement Eje pivote	1	AZ	

## CONTENU DE L'EMBALLAGE ET LÉGENDE DU MATÉRIEL (suite)

REMARQUE : Les pièces (vis, écrous, rondelles) sont illustrées en dimension réelle. Sauf indication contraire, toutes les pièces sont communes aux modèles 6155 et 6156.

## CONTENIDO DE LA CAJA Y EXPLICACIÓN DE LOS COMPONENTES (continuación)

NOTA: Accesorios de montaje (tornillos, tuercas, rondanas) se muestran en su tamaño real. A menos que se indique de otra manera, todas las piezas son comunes para los modelos 6155 y 6156.

ARTICLE ARTÍCULO	DESCRIPTION DESCRIPCIÓN	QTÉ CANT.			
BA	Vis conique à tête plate, noire (10-32 x 7/8)/Tornillo cabeza plana para avellanar, negro (10-32 x 7/8)	4	BA		
BB	Axe de démarrage, noir Pasador del arrancador, negro	1	BB		
BC	Barre d'écartement, 1/4 po (modèle 6155 seulement) Barra separadora, 1/4 de pulgada (modelo 6155 solamente)	1	BC		
BD	Barre d'écartement, 3/8 po (modèle 6155 seulement) Barra separadora, 3/8 de pulgada (modelo 6155 solamente)	1	BD		
BE	Vis à tête cylindrique bombée, zinc (5-40 x 3/4) (modèle 6155 seulement) Tornillo de cabeza cónica achatada, zinc (5-40 x 3/4) (modelo 6155 solamente)	2	BE		
BF	Écrou hexagonal, zinc (5-40) (modèle 6155 seulement) Tuerca hexagonal, zinc (5-40) (modelo 6155 solamente)	2	BF		
BG	Barre pour queue d'aronde/joint à rainures, 1/4 po (modèle 6155 seulement) Barra para ensambles de cola de milano y caja, 1/4 de pulgada (modelo 6155 solamente)	1	BG		
BH	Barre pour queue d'aronde/joint à rainures, 3/8 po (modèle 6155 seulement) Barra para ensambles de cola de milano y caja, 3/8 de pulgada (modelo 6155 solamente)	1	BH		



# ASSEMBLAGE/ARMADO

**REMARQUE :** Bien que toutes les instructions soient communes aux deux unités, certaines d'entre elles ne s'appliquent qu'au modèle 6155 (modèle de sol) OU au modèle 6156 (modèle d'établi).

**NOTA:** Mientras que la mayoría de las instrucciones son comunes para ambas unidades, algunas instrucciones aplican ya sea al modelo 6155 (sobre el piso) o al modelo 6156 (sobre banco de trabajo).

## Outils requis/Herramientas necesarias

- Tournevis Phillips no 2 et no 3 / Desatornilladores Phillips #2 y #3
- Marteau / Martillo
- Clé à molette / Llave ajustable

## Assembler le guide à onglets métallique

(Intervalles 5°, modèle 6155 seulement)

## Arme la guía de ingletes de metal

(Incrementos de 5°, modelo 6155 solamente)

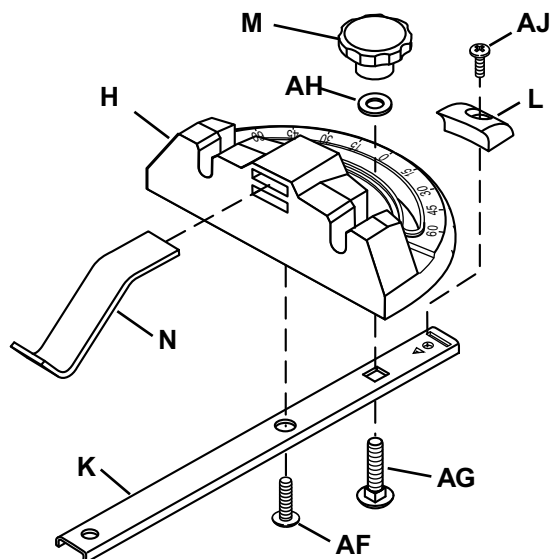
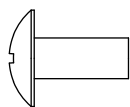


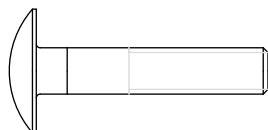
Figure 1

Figura 1

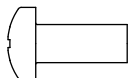
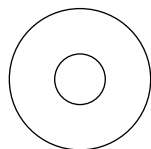
### AF, zinc (1)



### AG, noir/negro (1)



### AH, noir/negro (1) AJ, zinc (1)



1. Arme la guía de ingletes enroscando el tornillo cabeza cónica achatada (AF) en la cabeza de la guía de ingletes (H) a través de la barra de ingletes (K) y enroscando el tornillo de coche (AG) a través de la barra de ingletes (K). Consulte la Figura 1.

2. Coloque la rondana (AH) y el mango (M) en el extremo del tornillo de coche (AG). Apriete el mango.

3. Instale el indicador de inglete (L) a la barra de ingletes (K) con el tornillo de cabeza Phillips (AJ).

4. Deslice el sujetador (N) en una de las dos ranuras en el frente del medidor de inglete.

1. Assembler le guide à onglets en filetant la vis à tête hexagonale (AF) dans la tête du guide à oreilles (H) à travers la barre à onglets (K) et en filetant l'écrou de carrosserie (AG) à travers la barre à onglets (K). Voir la figure 1.

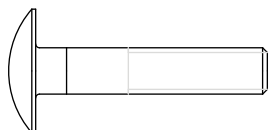
2. Placer la rondelle (AH) et la poignée (M) à l'extrémité de l'écrou de carrosserie (AG). Serrer la poignée.

3. Fixer l'indicateur à onglets (L) sur la barre à onglets (K) avec la vis à tête Phillips (AJ).

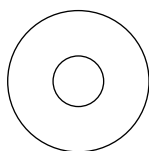
4. Faire glisser la bride (N) dans l'une des deux fentes situées à l'avant de la jauge à onglets.

**Assembler le guide à onglets en plastique**  
 (Intervalles 1°, modèle 6156 seulement)  
**Arme la guía de ingletes de plástico**  
 (Incrementos de 1°, modelo 6156 solamente)

**AG, zinc (1)**



**AH, noir/negro (1)**



**AJ, zinc (1)**

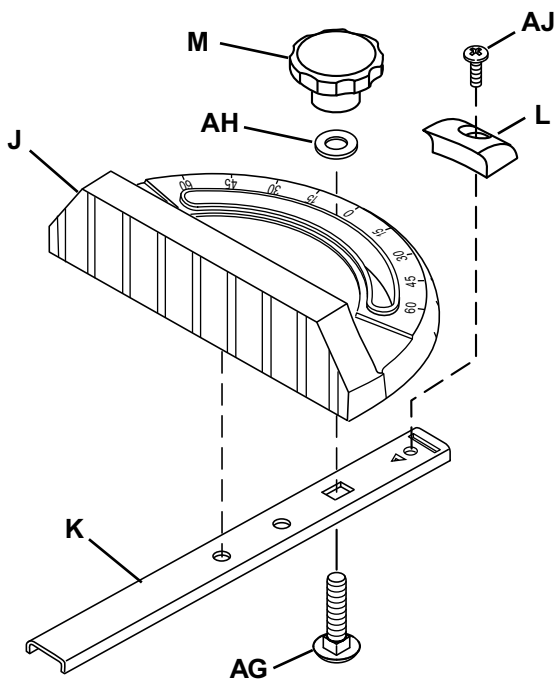
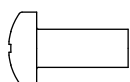


Figure 2  
 Figura 2

1. Assembler le guide à onglets en filetant l'écrou de carrosserie (AG) à travers la barre à onglets (K). Voir la figure 2.
2. Placer la rondelle (AH) et la poignée (M) à l'extrémité de l'écrou de carrosserie (AG). Serrer la poignée.
3. Fixer l'indicateur à onglets (L) à l'arrière de la barre à onglets avec la vis à tête Phillips (AJ).

1. Arme la guía de ingletes enroscando el tornillo de coche (AG) a través de la barra de ingletes (K). Consulte la Figura 2.
2. Coloque la rondana (AH) y el mango (M) en el extremo del tornillo de coche (AG). Apriete el mango.
3. Instale el indicador de inglete (L) a la parte posterior de la barra de ingletes con el tornillo de cabeza Phillips (AJ).

**Fixer la boîte d'interrupteur à la table/**  
**Instale la caja del interruptor al**  
**tablero de la mesa**

**AK, noir/negro (3)**



**AL, noir/negro (3)**



Utiliser un tournevis Phillips no 2 pour fixer la boîte d'interrupteur (P) à l'avant de la table à toupie (A) avec trois vis à tête cylindrique bombée (AK) et 3 écrous hexagonaux (AL). Voir la figure 3.

Utilice un desatornillador Phillips #2 para fijar la caja del interruptor (P) al frente del tablero de la mesa de fresadora (A) con 3 tornillos cabeza cónica achatada (AK) y 3 tuercas hexagonales (AL). Consulte la Figura 3.

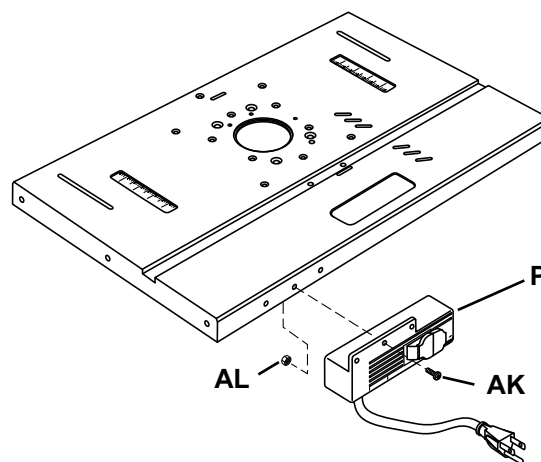

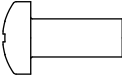


Figure 3  
 Figura 3

**Fixer les écrous carrés et les dispositifs de retenue / Instale las tuercas cuadradas y los retenedores**

**AM, zinc (2)** 

**AJ, zinc (4)** 

1. Placer un écrou carré (AM) dans chacune des deux fentes situées sous la surface en aluminium (A). Voir la figure 4.

2. Placer un dispositif de retenue jaune (Q) dans chaque fente et le serrer avec les deux vis à tête cylindrique bombée (AJ). Noter l'orientation du dispositif de retenue.

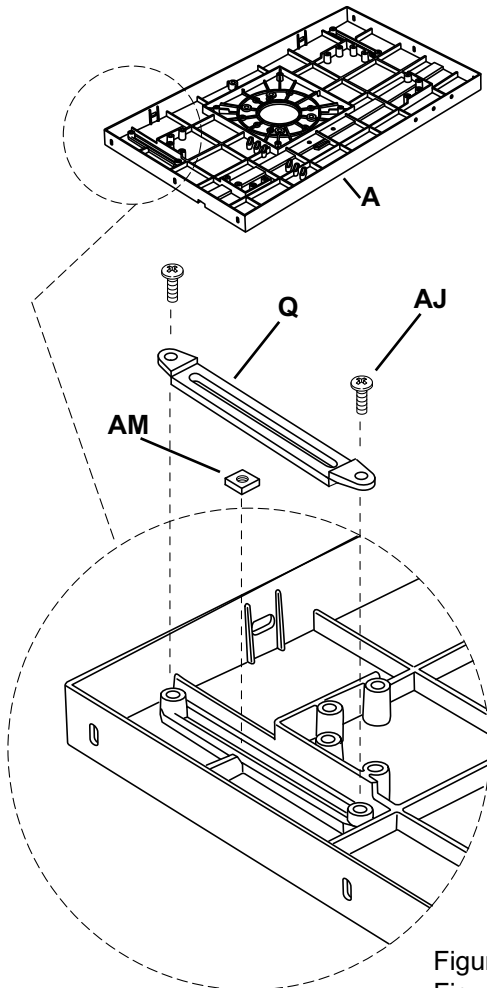


Figure 4  
Figura 4

1. Coloque una tuerca cuadrada (AM) en cada una de las dos ranuras en la parte de abajo del tablero de aluminio (A). Consulte la Figura 4.

2. Coloque un retenedor amarillo (Q) en cada ranura y apriete cada uno con dos tornillos de cabeza cónica achatada (AJ). Anote la orientación del retenedor.

**Fixer les rallonges / Instale las extensiones**

**AN, noir/negro (6)** 

**AP, noir/negro (6)** 

**AQ, noir/negro (6)** 

1. Positionner les rallonges (B-1) et (B-2) aux deux extrémités de la table à toupie (A) avec les côtés plats vers le bas (à l'envers). Noter la position des fentes du guide à onglets aux trois parties. Effectuer l'alignement tel qu'il est illustré à la figure 5.

2. Fixer chaque rallonge aux extrémités de la table à l'aide des 3 vis cylindriques à tête bombée (AN), 3 rondelles dentées (AP) et 3 écrous hexagonaux (AQ).

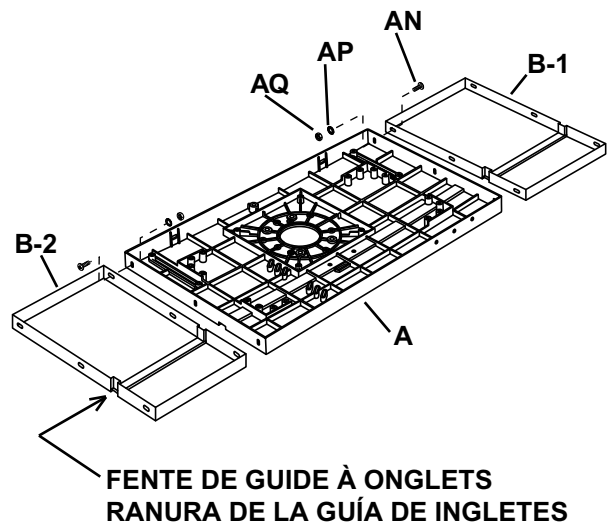


Figure 5  
Figura 5

1. Coloque las extensiones (B-1) y (B-2) en ambos extremos del tablero de la mesa de la fresadora (A) con los lados planos hacia abajo (bocabajo). Anote la posición de las ranuras de la guía de ingletes en todas las tres partes. Asegúrese de la alineación como se muestra en la Figura 5.

2. Instale cada extensión a los extremos de la mesa utilizando 3 tornillos de cabeza cónica achatada (AN), 3 rondanas dentadas (AP) y 3 tuercas hexagonales (AQ).

## Fixer les supports à la table Instale los soportes al tablero

AN, noir/negro (4)



AP, noir/negro (4)



AQ, noir/negro (4)



Utiliser 2 vis cylindriques à tête bombée (AN), 2 rondelles dentées (AP) et 2 écrous hexagonaux (AQ) pour fixer une paire de supports (C et D) à chaque rallonge (F). Voir la figure 6.

Utilice 2 tornillos de cabeza cónica achatada (AN), 2 rondanas dentadas (AP) y 2 tuercas hexagonales (AQ) para fijar un par de soportes (C y D) a cada extensión (F). Consulte la Figura 6.

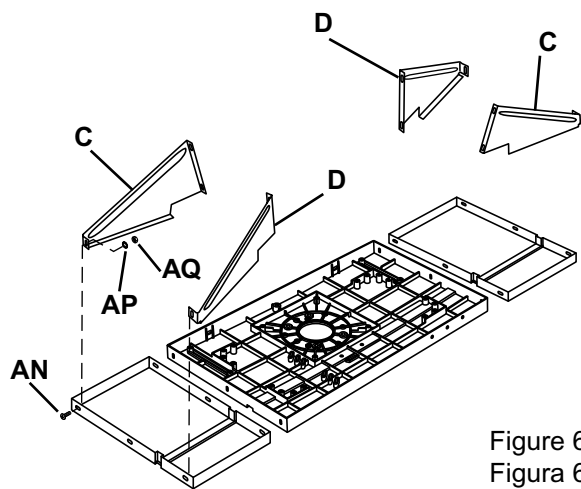
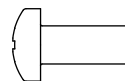


Figure 6  
Figura 6

## Fixer les pieds à hauteur réglable (modèle 6155 seulement) Instale las patas de altura ajustable (modelo 6155 solamente)

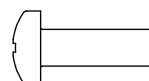
AJ, zinc (16)



AP, noir/negro (24)



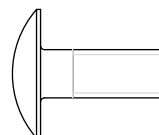
AN, noir/negro (8)



AQ, noir/negro (8)



AR, noir/negro (24)



AS, noir/negro (24)



AT, noir/negro (24)

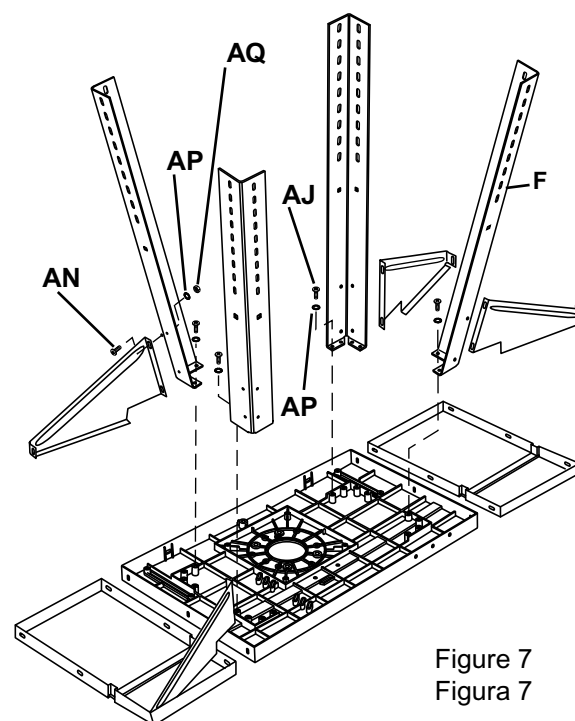


Figure 7  
Figura 7

## Fixer les pieds à hauteur réglable (suite) (modèle 6155 seulement)

1. Monter les quatre pieds longs (F) à la table à l'aide de quatre vis cylindriques à tête bombée (AJ) et quatre rondelles dentées (AP) par pied. Utiliser un tournevis Phillips no 3 pour éviter de dénuder les têtes de vis. Voir la figure 7.
2. Utiliser 2 vis cylindriques à tête bombée (AN), 2 rondelles dentées (AP) et 2 écrous hexagonaux (AQ) pour fixer un support (C ou D) à chaque pied long (F).
3. Décider de la hauteur souhaitée de la table à toupie centrale par rapport au sol.
4. Avec l'"extrémité" du pied court (E-1) dirigée vers le haut, aligner les 2 trous dans le pied court avec les 2 trous dans le pied long à une hauteur adéquate. Voir la figure 8.

REMARQUE : Le pied court (E-1) se monte à l'intérieur du pied long (F).

5. Fileter 4 écrous de carrosserie (AR) dans les trous des deux pieds. Assembler 1 rondelle dentée (AS) et 1 écrou hexagonal (AT) à chaque boulon. Serrer les écrous.
6. Fixer les trois autres pieds de la même façon. Afin d'obtenir la même hauteur au-dessus du sol, utiliser les mêmes positions de trou que pour le premier pied fixé.
7. Fixer 4 "semelles" moulées (U) aux pieds. Voir la figure 9.
8. La table peut être mise à niveau en ajustant les pieds courts (E-1) dans les trous de fixation à fente sur les pieds longs (F).

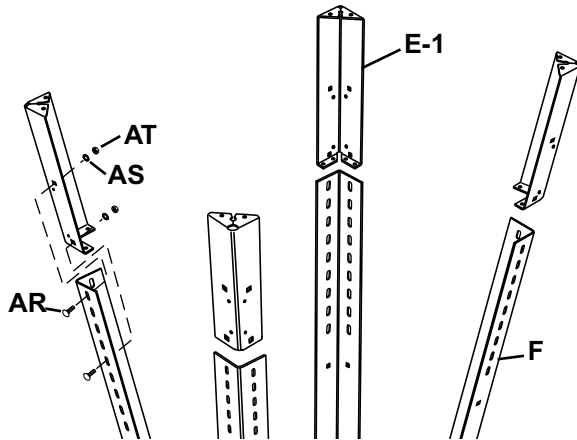


Figure 8  
Figura 8

## Instale las patas de altura ajustable (cont.) (modelo 6155 solamente)

1. Monte las cuatro patas largas (F) en la mesa utilizando cuatro tornillos de cabeza cónica achatada (AJ) y cuatro rondanas dentadas (AP) por pata. Utilice un desatornillador Phillips #3 para evitar estropear las cabezas de los tornillos. Consulte la Figura 7.
2. Utilice 2 tornillos de cabeza cónica achatada (AN), 2 rondanas dentadas (AP) y 2 tuercas hexagonales (AQ) para fijar un soporte (C o D) a cada pata larga (F).
3. Decida la altura desde el piso que desea que tenga su mesa del centro de fresado.
4. Con el "apoyo" de la pata corta (E-1) orientado hacia arriba, alinee 2 orificios de la pata corta con 2 orificios de la pata larga a la altura adecuada. Consulte la Figura 8.

NOTA: La pata corta (E-1) se monta en el interior de la pata larga (F).

5. Atornille 4 tornillos de coche (AR) a través de los orificios en ambos miembros de las patas. Coloque 1 rondana dentada (AS) y una tuerca hexagonal (AT) en cada tornillo. Apriete las tuercas.
6. De la misma manera instale las otras tres patas. Con el fin de obtener la misma altura sobre el piso, use las mismas posiciones de los orificios de la primera pata que instaló.
7. Instale las 4 "calzas" moldeadas (U) en las patas. Consulte la Figura 9.
8. La mesa se puede nivelar ajustando las patas cortas (E-1) dentro de los orificios de montaje alargados de las patas largas (F).

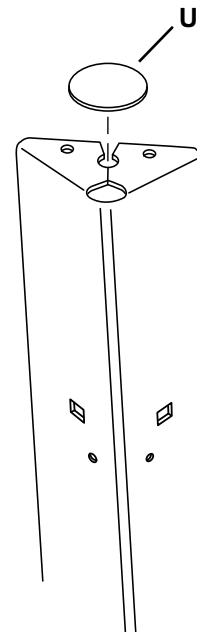
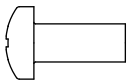


Figure 9  
Figura 9

**Fixer les pieds courts**  
(modèle 6156 seulement)  
**Instale las patas cortas**  
(modelo 6156 solamente)

**AJ, zinc (16)**



**AP, noir/negro (24)**



**AN, noir/negro (8)**



**AQ, noir/negro (8)**



1. Monter les quatre pieds (E-1 et E-2) à la table à l'aide des quatre vis cylindriques à tête bombée (AJ) et quatre rondelles dentées (AP) par pied. Utiliser un tournevis Phillips no 3 pour éviter de dénuder les têtes de vis. Le pied (E-2) est monté à la position gauche avant du dessus de table avec un collant de sécurité à l'avant de la table. Voir la figure 10.

2. Utiliser 2 vis cylindriques à tête bombée (AN), 2 rondelles dentées (AP) et 2 écrous hexagonaux (AQ) pour fixer un support (C ou D) à chaque pied (E).

1. Monte las cuatro patas (E-1 y E-2) en la mesa utilizando cuatro tornillos de cabeza cónica achatada (AJ) y cuatro rondanas dentadas (AP) por pata. Utilice un desatornillador Phillips #3 para evitar estropear las cabezas de los tornillos. La pata (E-2) se encuentra montada en la posición frontal izquierda de la superficie de la mesa con la É hacia el frente de la mesa. Consulte la Figura 10.

2. Utilice 2 tornillos de cabeza cónica achatada (AN), 2 rondanas dentadas (AP) y 2 tuercas hexagonales (AQ) para fijar un soporte (C o D) a cada pata (E).

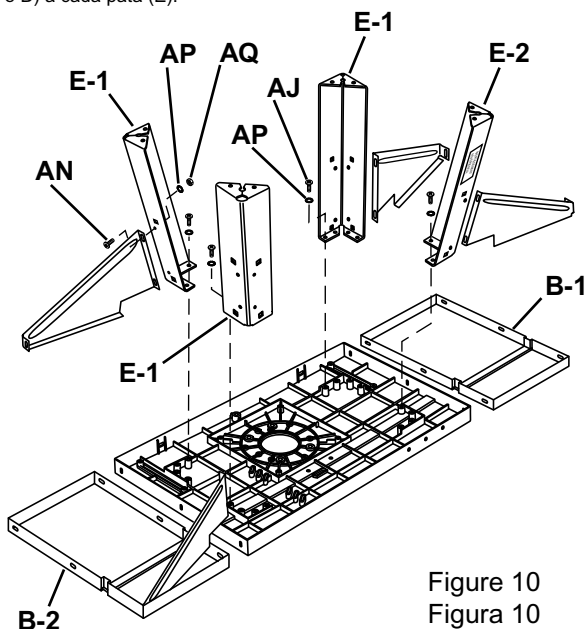


Figure 10  
Figura 10

**Alignement de la table et des rallonges**  
**Alineación del tablero y las extensiones**

Retourner l'assemblage de la table et de la rallonge et vérifier l'alignement des rallonges en faisant glisser le guide à onglets dans la fente. Desserrer les vis et régler l'alignement de la table et des rallonges le cas échéant. Resserrer les vis.

REMARQUE : Rallonge (B-2) à monter sur le côté droit du dessus de table. Reportez-vous à la figure 11.

Voltee el conjunto de tablero y extensiones y revise la alineación de las extensiones y el tablero deslizando el conjunto de la guía de ingletes a través de la ranura. Si es necesario, afloje los tornillos y ajuste la alineación del tablero y las extensiones. Reapriete los tornillos.

NOTA: La extensión (B-2) a ser montada del lado derecho de la superficie de la mesa. Vea la Ilustración 11.

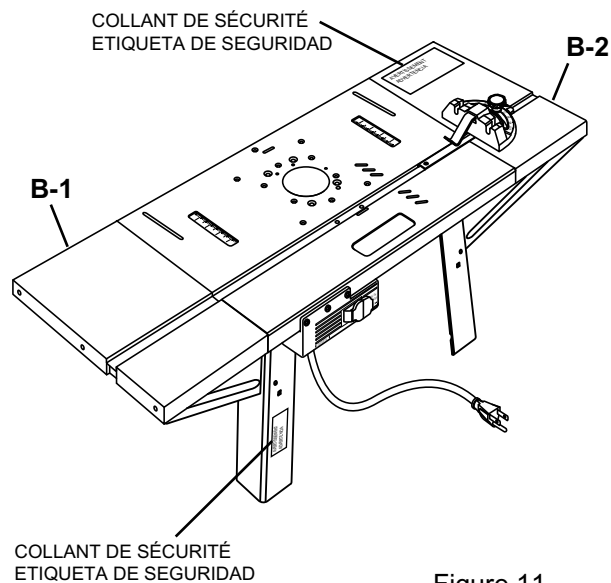


Figure 11  
Figura 11

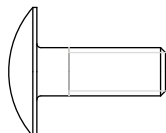
## Fixer le plateau à outils

(table à toupie modèle 6155 seulement)

## Instale la bandeja de herramientas

(Mesa de fresadora modelo 6155 solamente)

**AR, noir/negro (8)**



**AS, noir/negro (8)**



**AT, noir/negro (8)**



1. Aligner les trous situés dans les pieds avec les trous dans les angles du plateau à outils (G). Voir la figure 12.

2. Utiliser 8 boulons de carrosserie (AR), 8 rondelles dentées (AS) et 8 écrous hexagonaux (AT) pour fixer le plateau aux pieds. Serrer fermement.

1. Alinee los orificios en las patas con los orificios en las esquinas de la bandeja de herramientas (G). Consulte la Figura 12.

2. Utilice 8 tornillos de coche (AR), 8 rondanas dentadas (AS) y 8 tuercas hexagonales (AT) para fijar la bandeja a las patas. Apriete firmemente.

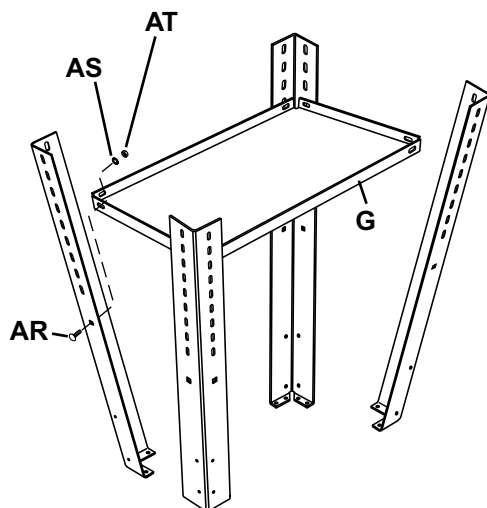


Figure 12  
(Les pieds à hauteur réglable doivent être ôtés pour laisser le champ libre.)

Figura 12  
(Las patas de altura ajustable no se muestran con fines de claridad)

## Fixer la deuxième étagère optionnelle

(table à toupie modèle 6155 seulement)

## Instale el segundo entrepaño opcional

(Mesa de fresadora modelo 6155 solamente)

1. La dimension de la deuxième étagère optionnelle (non fournie) dépend de la position des pieds à hauteur réglable (J) Une fois la hauteur adéquate ajustée, mesurer et couper du contre-plaqué ou un panneau de fibres de densité moyenne pour l'adapter à votre support.

2. Avec la table à toupie en position verticale, placer les coins de la planche mince sur chacune des "équerres" qui ressort des pieds à hauteur réglable. Voir la figure 13, support inversé pour laisser le champ libre.

3. Utiliser des vis (non fournies) pour fixer l'étagère.

1. El tamaño del segundo entrepaño opcional (no se suministra) dependerá de la posición de altura de las patas ajustables (J) Una vez ajustada la altura de operación, mida y corte un triplay o tabla de fibra a la medida de su mesa.

2. Con la mesa para fresadora en una orientación vertical, coloque las esquinas de la tabla del entrepaño en cada uno de los "soportes" que sobresalen de las patas de altura ajustable. Consulte la Figura 13, la mesa invertida con fines de claridad.

3. Utilice tornillos (no suministrados) para asegurar el entrepaño.

Emplacement de l'étagère optionnelle sur les angles des pieds à hauteur réglable.

Ubicación del entrepaño opcional en las esquinas de las patas de altura ajustable.

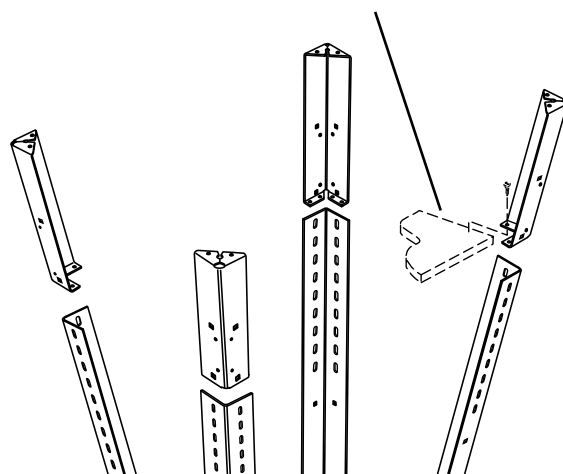
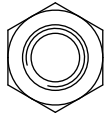


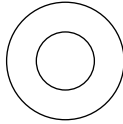
Figure 13  
Figura 13

## Assembler la semelle arrière Arme el apoyo de empuje

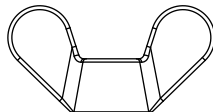
**AU (1)**  
noir/negro



**AV (2)**  
noir/negro



**AW (1)**  
noir/negro



1. Sur l'une des extrémités de la tige de fixation fileté (S), fileter la plaque de fixation (T) d'environ ½ po.
2. Sur la même extrémité de la tige, ajouter une rondelle (AV) et un écrou (AU).
3. Faire glisser la tige de fixation (S) dans la semelle arrière (R) de façon à ce que la plaque de fixation, la rondelle et l'écrou se trouvent sur l'extrémité la plus large de la semelle arrière. Voir la figure 14.
4. Ajouter la rondelle (AV) et l'écrou à oreilles (AW) à l'extrémité de la tige fileté.

**AVERTISSEMENT** Les vibrations provenant du fonctionnement normal risquent de desserrer la rondelle et le boulon qui tiennent la tige à la plaque. Vérifier à l'occasion que ces composants sont bien serrés.

1. En un extremo de la varilla de sujeción roscada (S), enrosque la placa de sujeción (T) alrededor de 1/2 pulgada.
2. En el mismo extremo de la varilla, agregue una rondana (AV) y una tuerca (AU).
3. Deslice la varilla de sujeción (S) a través del apoyo de empuje (R) de modo que el extremo con la placa de sujeción, rondana y tuerca estén en el lado grande del apoyo de empuje. Consulte la Figura 14.
4. Agregue una rondana (AV) y tuerca de mariposa (AW) al final de la varilla roscada.

**ADVERTENCIA** Las vibraciones del fresado normal pueden aflojar la rondana y tuerca que sujetan la varilla a la placa. Ocasionalmente revise estos componentes para asegurarse que están apretados.

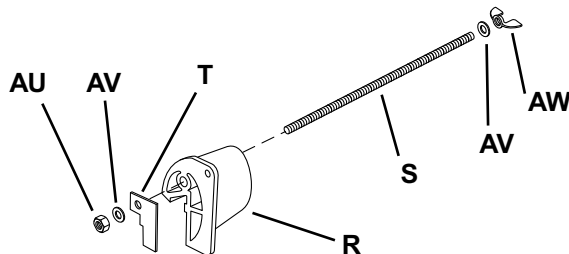
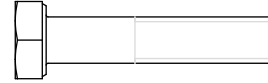


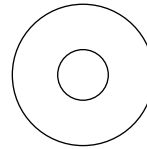
Figure 14  
Figura 14

## Assembler le guide d'assemblage au guide de la table à toupie Arme la barrera guía de ensambladuras a la barrera guía de la mesa de fresadora

**AX (1)**  
zinc



**AH (1)**  
noir/negro



1. À l'aide des fentes qui servent de guide, faire glisser le guide d'assemblage (W) dans le guide de la table à toupie (V). (Le guide d'assemblage peut avoir été enfoncé en place à l'usine.)
2. Faire glisser le boulon à tête hexagonale (AX) dans la base du guide d'assemblage (W) et dans le trou du guide (V). Ajouter une rondelle (AH) et la poignée du guide d'assemblage (X). Voir la figure 15.
3. Faire glisser le guide d'assemblage dans le guide de la table à toupie aussi loin que possible. Ôtez le ruban d'usine le cas échéant.

1. Usando las ranuras en la barrera guía como guías, deslice la barrera guía de ensambladuras (W) dentro de la barrera guía de la mesa de fresadora (V). (La barrera guía de ensambladuras puede haber sido fijada con cinta en la fábrica).

2. Deslice el tornillo de cabeza hexagonal (AX) en el fondo de la barrera guía de ensambladuras (W) y a través del orificio en la barrera guía (V). Agregue una rondana (AH) y el mango de la barrera guía de ensambladuras (X). Consulte la Figura 15.

3. Deslice la barrera guía de ensambladuras en la barrera guía de la mesa de fresadora tanto como se pueda. Si es necesario quite la cinta que se puso la fábrica.

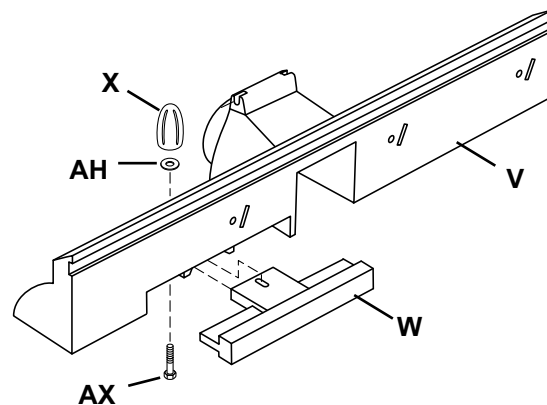
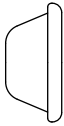


Figure 15  
Figura 15

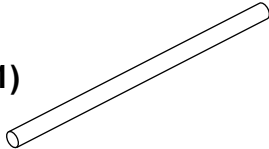


## Fixer le guide de protection Instale la barrera protectora de seguridad

AY, zinc (2)



AZ, noir/negro (1)



1. Placer les deux trous sur la protection (Y) en les alignant avec les deux trous situés sur le guide (V). Voir la figure 16.
2. Placer un écrou borgne (AY) à l'une des extrémités de l'axe de pivotement (AZ). À l'aide d'un marteau, taper légèrement sur l'axe de pivotement jusqu'à ce qu'il se loge dans l'écrou borgne.
3. Faire glisser l'axe de pivotement (AZ) dans les trous sur le guide et la protection. Ajouter un deuxième écrou borgne (AY) et le fixer à l'extrémité de l'axe.
4. Tester la mobilité en déplaçant la protection vers le haut et le bas.

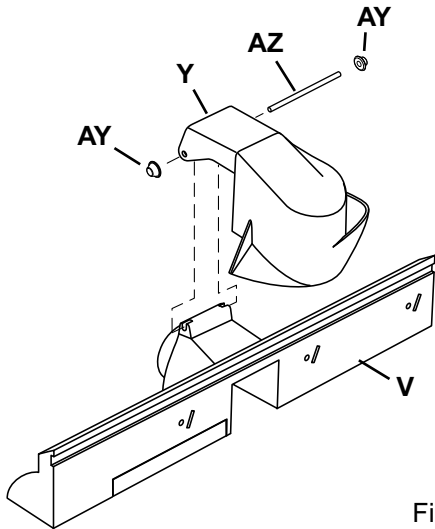


Figure 16  
Figura 16

1. Coloque los dos orificios de la protección de seguridad (Y) de modo que se alineen con los dos orificios de la barrera guía (V). Consulte la Figura 16.
2. Placer un écrou borgne (AY) à l'une des extrémités de l'axe de pivotement (AZ). Utilizando un martillo, golpee ligeramente el eje pivote hasta que se asiente en la tuerca tapa.
3. Deslice el eje pivote (AZ) a través de los orificios en la barrera guía y la protección de seguridad. Agregue una segunda tuerca tapa (AY) y asegúrela en el extremo del eje.
4. Pruebe la movilidad moviendo la protección de seguridad hacia arriba y hacia abajo.

## Assembler la semelle arrière au guide Arme el apoyo de empuje a la barrera guía

1. Placer l'ensemble de la semelle arrière dans le guide de façon à ce que la fente de la semelle soit alignée avec l'entretoise sur le guide. Voir la figure 17.

2. Avec l'écran de protection en position relevée, tester la mobilité de la semelle arrière en la faisant glisser le long du guide. Elle doit glisser facilement.

REMARQUE : Il est recommandé de lubrifier légèrement de temps en temps avec de la cire pour les meubles, la semelle arrière et les surfaces sur lesquelles le guide glisse.

REMARQUE : Pour une performance optimale, enlever régulièrement les copeaux de bois qui s'accumulent à l'intérieur de la fente et de l'entretoise de la semelle arrière.

1. Coloque el conjunto del apoyo de empuje sobre la barrera guía de modo que la ranura en el apoyo de empuje se alinee con el riel en la barrera guía. Consulte la Figura 17.

2. Con la protección de seguridad en la posición hacia arriba, pruebe la movilidad del apoyo de empuje deslizando a lo largo de la barrera guía. Se debe deslizar con facilidad.

NOTA: Se recomienda que ocasionalmente lubrique ligeramente las superficies de deslizamiento del apoyo de empuje y de la barrera guía con cera para muebles.

NOTA: Para un mejor funcionamiento, periódicamente remueva los recortes de madera que se acumulan dentro de la ranura del apoyo de empuje y el riel.

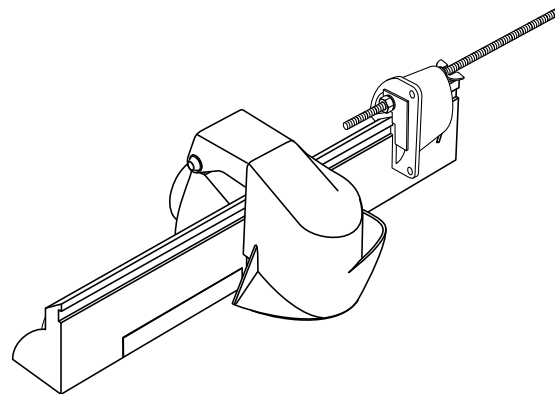


Figure 17  
Figura 17

# MONTAGE DE LA TOUPILLEUSE/CÓMO MONTAR LA FRESADORA



## AVERTISSEMENT

Toujours enlever les forets et débrancher la toupilleuse avant de monter la table à toupie.



## ADVERTENCIA

Siempre quite las brocas de la fresadora y desconecte ésta antes de montarla a la mesa de fresadora.

La table supportera les toupilleuses dont les bases ont jusqu'à 7 po de diamètre. Il existe deux méthodes pour fixer les toupilleuses à la table à toupie.

La mesa acepta fresadoras con bases de hasta 7 pulgadas de diámetro. Hay dos métodos para instalar las fresadoras a la mesa de fresadora.

Trou Motif / Forma del hueco	Marque de tourilleuse/ Utilisation de trou Marca de la fresadora / Uso del orificio	Numéros de modèles spécifiques Números de modelo específicos
A	Trous de fixation de la plaque adaptatrice carrée Orificios de montaje de la placa adaptadora cuadrada	La plupart des toupilleuses se montent avec une plaque La mayoría de las fresadoras se montan con la placa
B	Ryobi	#R160K, #R160V, #R165, #R180
	Craftsman	#27500, #27510, #27511
C	Ryobi	#R174, #RE175
D	Porter Cable	#690, #6931
E	Skil	#1823, #1835, #1845-02,
	Craftsman	#17504, #17505, #17506
F*	Outils de bricolage rotatifs Dremel™ Dremel™ Rotary Hobby Tools	Tous Todas
G	Trou fileté pour axe pilote Orificio roscado para el perno piloto	s/o n/a
H	Axe pilote Trou de rangement Orificio para guardar el perno piloto	s/o n/a
J	Queue d'aronde /joint à rainures Fentes de montage de fixation Ensambladuras de cola de milano y caja ranuras para montaje de accesorios	s/o n/a

Dremel™ est une marque de commerce déposée de S-B Power Tool Company.

Dremel™ es una marca registrada de S-B Power Tool Co.

\*Se monte avec la trousse de fixation de toupilleuse No 330

Dremel™ (non incluse, voir ci-dessous).

\*Se monta con el juego de accesorios de fresadora Dremel™#330 (no incluido, ver abajo).



Si votre toupilleuse ne fait pas partie de celles énumérées sur le tableau, placer la plaque de la base de la toupilleuse sur la table à toupie et faire tourner la plaque jusqu'à ce que les trous soient alignés. Lorsque les deux motifs de trou sont alignés, le motif de montage a été identifié. Voir la figure 18.

Si su fresadora no es una de las enumeradas en la tabla, coloque la placa base de la fresadora sobre la mesa de fresadora y gire la placa base hasta que se alineen los orificios. Cuando las 2 formas de orificios se alinean, su forma de montaje ha sido identificada. Consulte la Figura 18.

Trois trous au minimum doivent être alignés pour soutenir correctement la toupilleuse. Si moins de trois trous sont alignés, suivre les instructions concernant la façon de monter la toupilleuse avec la plaque adaptatrice carrée de base (Z) à la page suivante.

Cuando menos tres orificios se deben alinear para un soporte adecuado de la fresadora. Si menos de tres orificios se alinean, siga las instrucciones sobre cómo montar su fresadora con la placa base del adaptador cuadrado (Z) en la página siguiente.

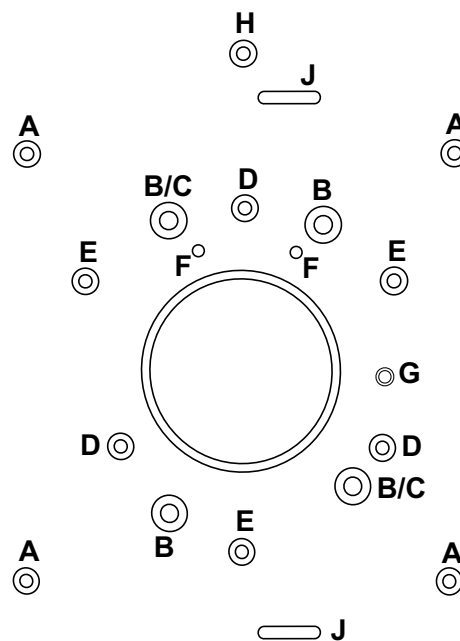
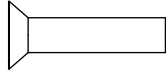


Figure 18  
Figura 18

## Monter la toupilleuse directement sur la table

## Monte la fresadora directement sobre la mesa

### BA, noir/negro (4)



1. Ôter la plaque de base de la toupilleuse en enlevant les vis.
  2. Desserrer les poignées et faire glisser le guide pour qu'il libère les trous de fixation.
  3. Tout en maintenant la toupilleuse à l'envers, la placer sous la table de façon à ce que le centre de la toupilleuse se trouve dans l'anneau central de la table.
  4. Faire tourner la toupilleuse jusqu'à ce que les trous de fixation dans la base de la toupilleuse soient alignés avec les trous de la table.
- REMARQUE : Pour plus de commodité, placer la toupilleuse de façon à ce que l'interrupteur MARCHÉ-ARRÊT soit accessible de l'avant de la table.
5. Insérer les vis de la plaque de la base de la toupilleuse, enlevées ultérieurement, dans les trous de la table et les trous de fixation de la toupilleuse. Serrer fermement. Voir la figure 19.



#### AVERTISSEMENT

Veiller à ce que les vis de la plaque de base de la toupilleuse correspondent aux fraises dans la table et qu'elles soient suffisamment longues pour monter la toupilleuse sur la table. Le cas échéant, les remplacer avec des vis plus longues de 1/8 à 1/4 po.

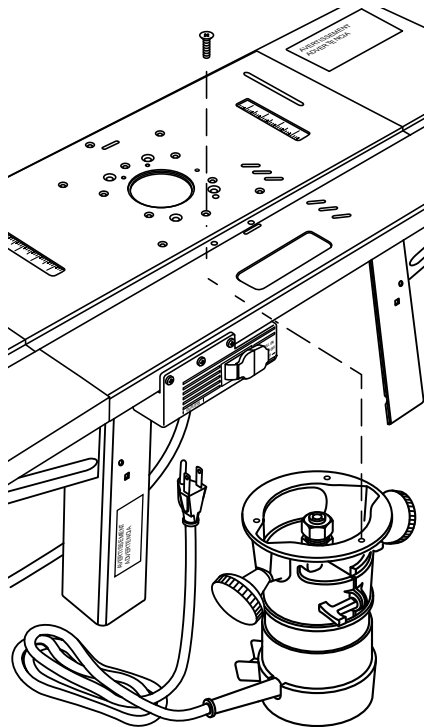


Figure 19  
Figura 19

1. Quite la placa base de la fresadora quitando los tornillos.
  2. Afloje los mangos y deslice la barrera guía de modo que no obstruya los orificios de montaje.
  3. Mientras sostiene la fresadora bocabajo, colóquela debajo de la mesa de modo que el centro de la fresadora esté dentro del anillo central del tablero de la mesa.
  4. Gire la fresadora hasta que los orificios de montaje en la base de la fresadora se alineen con los orificios en el tablero de la mesa.
- NOTA: Para facilidad de uso, coloque la fresadora de modo que el interruptor de ON-OFF esté accesible por el frente de la mesa.
5. Inserte los tornillos de la placa base de la fresadora que previamente se quitaron, a través de los orificios en el tablero de la mesa y en los orificios de montaje en la fresadora. Apriete firmemente. Consulte la Figura 19.



#### ADVERTENCIA

Asegúrese que los tornillos de la placa base de su fresadora encajan en los avellanados de la mesa y que son lo suficientemente largos para montar la fresadora a la mesa. Si es necesario reemplácelos con tornillos que sean de 1/8 a 1/4 de pulgada más largos.

## Montage des toupilleuses avec une plaque adaptatrice carrée

## Cómo montar fresadoras con la placa adaptadora cuadrada

Certains modèles de toupilleuses ne se montent pas directement sur cette table à toupie. Pour ces toupilleuses, une plaque de base adaptatrice est fournie. Il sera nécessaire de la modifier selon les toupilleuses. Une fois modifiée et fixée à la toupilleuse, elle se monte directement à la table à toupie.

1. Découper le modèle à la page 23, ainsi que le cercle intérieur du modèle.
2. Placer le modèle sur le côté de la plaque de base adaptatrice carrée avec les écrous à oreilles.
3. Aligner avec précision les bords du modèle avec les bords de la plaque de base adaptatrice. Veiller à ce que le cercle intérieur corresponde précisément au trou de la plaque.

Algunos modelos de fresadoras no se montan directamente en esta mesa de fresadora. Para esas fresadoras, se suministra una placa base adaptadora cuadrada. Se necesitará modificar para adaptarla a su fresadora particular. Una vez modificada e instalada en su fresadora, se podrá montar directamente a la mesa de fresadora.

1. Corte la plantilla de la página 23. También corte el círculo interior de la plantilla.
2. Coloque la plantilla en la placa base del adaptador cuadrado en el lado de las tuercas soldadas.
3. Con precisión alinee las orillas de la plantilla con las orillas de la placa base adaptadora. Asegúrese que el círculo interior también coincide con precisión en la placa.

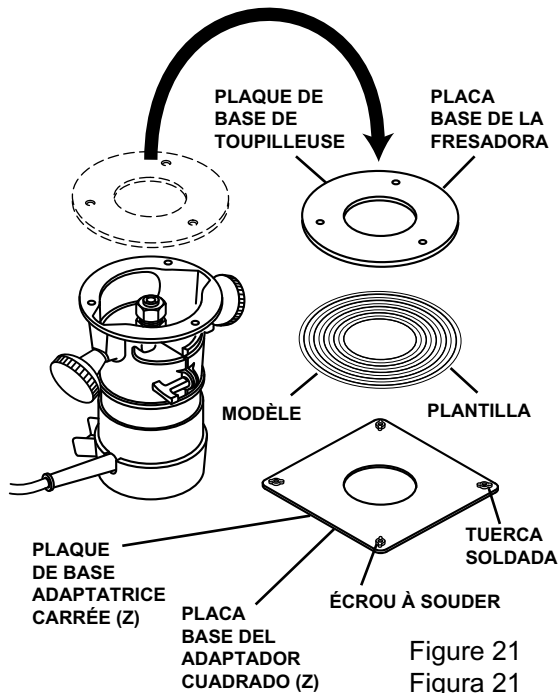


Figure 21  
Figura 21

**MISE EN GARDE**

S'assurer que les bords du modèle sont alignés avec les bords de la plaque de base adaptatrice carrée et que le cercle intérieur est précisément aligné avec le trou de la plaque. Si les alignements ne sont pas exacts, la précision du travail risque d'en pâtir.

4. Utiliser du ruban pour fixer le modèle à la plaque de base adaptatrice carrée (Z).
5. Reposer la plaque de base adaptatrice carrée sur une surface plane avec le modèle et les écrous à souder vers le haut.
6. Dévisser les fixations qui tiennent la plaque de base à la toupilleuse et les laisser de côté.
7. Renverser la plaque de base et la placer face au modèle qui est toujours collé à la plaque de base adaptatrice carrée. La position de la plaque de base doit être alignée avec l'un des cercles sur le modèle. Voir la figure 21.
8. À l'aide d'un crayon ou d'un stylo, marquez les positions des trous de fixation dans la plaque de base sur le modèle en papier.
9. Enlever la plaque de base de la plaque de base adaptatrice carrée et la laisser de côté.
10. À l'aide d'un foret qui s'adapte au diamètre des trous dans la plaque de base de la toupilleuse, percer la plaque de base adaptatrice aux emplacements marqués précédemment. (Utiliser une planche d'appui pour réduire l'effraction de la mèche.)
11. Enlever le modèle en papier de la plaque de base adaptatrice carrée.
12. Retourner la plaque de base adaptatrice carrée. Avec les écrous soudés positionnés vers le bas, placer la plaque adaptatrice sur la toupilleuse. (Les écrous soudés et la toupilleuse doivent être du même côté que la plaque adaptatrice.) Voir la figure 22.
13. Une fois les trous de la plaque de base adaptatrice carrée et les trous de la toupilleuse alignés, insérer les vis appropriées et serrer.

**PRECAUCIÓN**

Asegúrese que las orillas de la plantilla están alineadas con las orillas de la placa base del adaptador cuadrado y que el círculo interior está alineado con precisión con el hueco en la placa. La precisión del fresado sufrirá si las alineaciones no son correctas.

4. Utilice cinta para pegar la plantilla a la placa base del adaptador cuadrado (Z).
5. Coloque la placa base del adaptador cuadrado sobre una superficie plana con la plantilla y las tuercas soldadas hacia arriba.
6. Desatornille los sujetadores que sujetan la placa base de la fresadora a la misma y sepárelos.
7. Voltee la placa base de la fresadora y colóquela con el frente hacia abajo sobre la plantilla, la cual aún está pegada con cinta a la placa base del adaptador cuadrado. La posición de la placa base debe estar alineada con uno de los círculos en la plantilla. Consulte la Figura 21.
8. Utilizando una pluma o lápiz, marque la posición de los orificios de montaje en la placa base sobre la plantilla de papel.
9. Quite la placa base de la placa base del adaptador cuadrado y póngala a un lado.
10. Utilizando una broca de taladro del mismo tamaño que los orificios en la placa base de la fresadora, perforo la placa base del adaptador cuadrado en los lugares previamente marcados. (Para reducir la rotura de brocas, utilice una tabla soporte).
11. Quite la plantilla de papel de la placa base del adaptador cuadrado.
12. Voltee la placa base del adaptador cuadrado. Con las tuercas soldadas ahora de frente hacia abajo, coloque la placa adaptadora en la fresadora. (Las tuercas soldadas y la fresadora deben estar del mismo lado de la placa adaptadora). Consulte la Figura 22.
13. Con los orificios de la placa base del adaptador cuadrado alineados a los orificios de la fresadora, inserte los tornillos adecuados y apriete.

**AVERTISSEMENT**

S'assurer que les vis de la plaque de base de la toupilleuse sont suffisamment longues pour fixer correctement la plaque de base adaptatrice carrée. Le cas échéant les remplacer avec des vis plus longues de 1/8 à 1/4 po.

**ADVERTENCIA**

Asegúrese que los tornillos de la placa base de su fresadora son suficientemente largos para montar firmemente la placa base del adaptador cuadrado. Si es necesario reemplácelos con tornillos que sean de 1/8 a 1/4 de pulgada más largos.

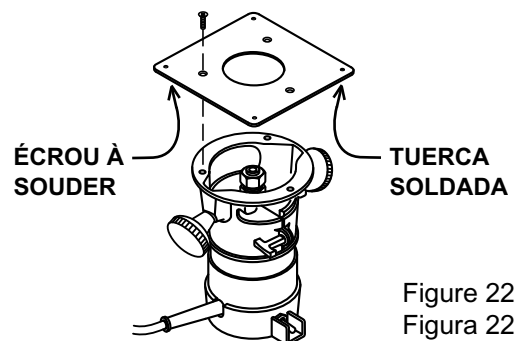
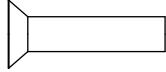


Figure 22  
Figura 22

## Monter la toupilleuse (avec une plaque de base adaptatrice carrée) à la table

## Monte la fresadora a la mesa (con la placa base del adaptador cuadrado)

### BA, noir/negro (4)



#### MISE EN GARDE

Assembler la toupilleuse la table seulement lorsqu'elle est fixée à la plaque de base adaptatrice carrée.

Ne pas essayer de fixer la plaque adaptatrice carrée avant de fixer la toupilleuse à la table.

1. Une fois la toupilleuse fixée, placer la plaque de base adaptatrice carrée sous la table de toupilleuse à l'intérieur de la zone prévue à cet effet et contre les raccords métalliques.
2. Si votre toupilleuse est équipée d'un interrupteur Marche/Arrêt, s'assurer qu'il est face à l'avant de la table pour y accéder facilement, si besoin est.
3. Aligner les trous des écrous soudés sur la plaque de base adaptatrice avec les trous dans les raccords.
4. Insérer 4 vis à tête plate (BS) dans les trous et les visser fermement. Voir la figure 23.

#### PRECAUCIÓN

Solamente arme la fresadora a la mesa después de que la haya instalado en la placa base del adaptador cuadrado. No intente instalar la placa base adaptadora cuadrada a la mesa y después la fresadora.

1. Con la fresadora instalada, coloque la placa base del adaptador cuadrado debajo de la mesa de fresadora adentro del área dispuesta y contra las protuberancias metálicas.
2. Si su fresadora tiene un interruptor de on / off, asegúrese que se orienta hacia el frente de la mesa para facilidad de acceso, si se necesita.
3. Alinee los orificios de las tuercas soldadas en la placa base adaptadora cuadrada con los orificios en las protuberancias.
4. Inserte 4 tornillos penetrantes de cabeza plana (BA) a través de los orificios y apriételos firmemente. Consulte la Figura 23.

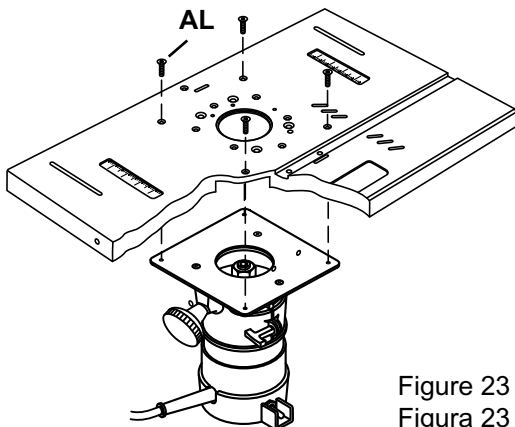


Figure 23  
Figura 23

## FIXER LA TABLE À TOUPIE (Modèle 6156 seulement) CÓMO ASEGURAR LA MESA DE FRESADORA (Modelo 6156 solamente)

#### AVERTISSEMENT

NE PAS utiliser la table à toupie tant qu'elle n'est pas correctement montée sur une surface de travail stable. Négliger de monter solidement la table à toupie risque de provoquer de graves blessures et/ou d'endommager le matériel.

Fixer la table à toupie à la surface de travail à l'aide de vis en bois ou de vis autotaradeuse et des rondelles (non fournies) dans les trous prévus à cet effet. Il y a 8 trous de fixation. Voir la figure 24.

#### ADVERTENCIA

NO use la mesa de fresadora a menos que esté firmemente montada en una superficie de trabajo estable. La omisión de montar firmemente la mesa de fresadora puede conducir a lesiones personales graves y / o daños a la propiedad.

Asegure la mesa de fresadora a la superficie de trabajo utilizando tornillos para madera o tornillos para lámina metálica y rondanas (no suministrados) a través de los orificios dispuestos para ello. Hay 8 orificios de montaje. Consulte la Figura 24.

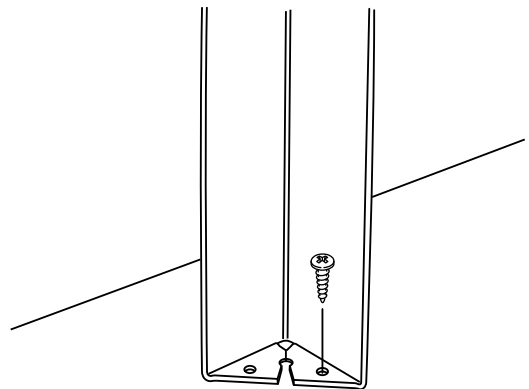


Figure 24  
Figura 24

# BOÎTE D'INTERRUPTEUR/CAJA DEL INTERRUPTOR

## Introduction / Introducción

Une boîte d'interrupteur située commodément permet à l'opérateur de :

- mettre la toupilleuse sur MARCHE et ARRÊT de l'avant de la table
- d'utiliser simultanément les autres appareils comme un éclairage ou un aspirateur

Elle est également équipée d'un disjoncteur interne à réenclenchement qui protège votre machine des surcharges. Voir la figure 25.

Una caja de interruptor ubicada convenientemente permite que el operador:

- encienda y apague la fresadora desde el frente de la mesa
- simultáneamente opere otros dispositivos como una luz o una aspiradora

También tiene un interruptor automático interno que se puede restablecer que protege su equipo contra sobrecargas. Consulte la Figura 25.

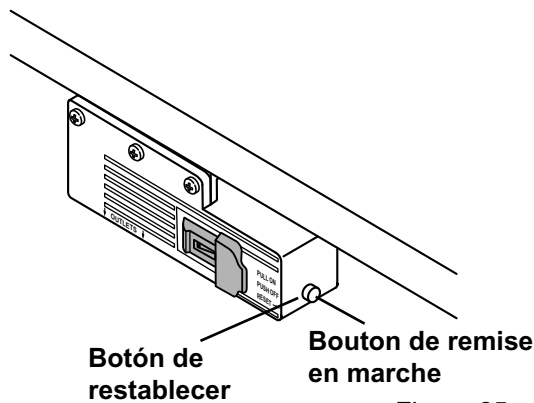


Figure 25  
Figura 25

## Prise électrique / Interconexiones eléctricas

Une mise à la terre correcte détourne l'électricité éventuellement dangereuse de l'opérateur. La boîte d'interrupteur est conçue pour être utilisée avec une prise mise à la terre à trois broches. (Voir la figure 26 ci-dessous.) Le cordon électrique de la boîte d'interrupteur est doté d'un connecteur et d'une prise de mise à la terre. Insérer la prise dans une prise prévue à cet effet conforme au Code national de l'électricité (NEC) et à toutes les normes électriques locales.

La conexión a tierra adecuada desvía lejos del operador electricidad potencialmente peligrosa. La caja del interruptor se diseñó para usarse con un receptáculo conectado a tierra de tres espigas. (Consulte la Figura 26 más abajo).

El cordón eléctrico de la caja del interruptor se caracteriza por un equipo de conexión a tierra y una clavija de puesta a tierra. Inserte la clavija en receptáculo que le acomode que cumpla con el código eléctrico nacional (NEC por sus siglas en inglés) y todos los códigos eléctricos locales.

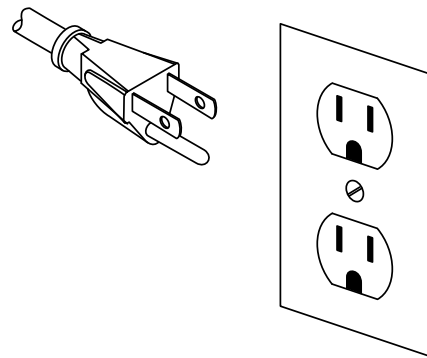


Figure 26  
Figura 26

### **AVERTISSEMENT**

compatible.

### **NE PAS MODIFIER LA PRISE**

Si elle ne s'adapte pas correctement, un électricien qualifié doit installer une prise

### **ÉVITER LE RISQUE D'ÉLECTROCUTION**

NE JAMAIS brancher le connecteur de mise à la terre de la machine (fil vert) à une borne électrique "chaude". Pendant les réparations ou le remplacement d'une prise ou d'un cordon électrique, NE PAS brancher le connecteur de mise à la terre à une borne électrique "chaude".

Consulter un électricien qualifié si les procédures de mise à la terre ne sont pas explicites ou si vous n'êtes pas certain que la boîte d'interrupteur est correctement reliée à la terre.

### **REEMPLACER LES CORDONS ENDOMMAGÉS**

Les cordons endommagés et/ou usés doivent être réparés ou remplacés immédiatement.

Les rallonges doivent être composées de trois fils, de calibre 14 ou plus, avec des prises "mâles" à trois broches et des prises "femelles" à trois trous fabriquées pour supporter la prise de l'outil

Les prises électriques au bas de la boîte d'interrupteur acceptent les prises mises à la terre à trois broches et les prises à deux broches des outils à double isolation.

### **ADVERTENCIA**

receptáculo compatible.

### **NO MODIFIQUE LA CLAVIJA**

Si no se enchufa correctamente, un electricista calificado debe instalar un

### **EVITE EL RIESGO DE DESCARGA ELÉCTRICA**

NUNCA conecte el conector de tierra del equipo (conductor verde) a una terminal eléctrica "caliente". Cuando repare o reemplace la clavija eléctrica o el cordón, NO conecte el conector de tierra a una terminal eléctrica "caliente".

Consulte a un electricista calificado si no entiende los procedimientos de conexión a tierra, o si no está seguro si la caja del interruptor está conectada a tierra correctamente.

### **REEMPLACE CORDONES DAÑADOS**

Los cordones dañados y / o gastados se deben reparar o reemplazar inmediatamente.

Los cordones de extensión deben ser de tres conductores, calibre 14 o mayor, con clavijas "macho" de tres espigas y receptáculos "hembra" de tres orificios fabricados para aceptar la clavija de la herramienta.

Los receptáculos eléctricos en el fondo de la caja del interruptor aceptan clavijas conectadas a tierra de tres espigas y las clavijas de dos espigas de las herramientas con aislamiento doble.

## AVERTISSEMENT

Les prises électriques au bas de la boîte d'interrupteur acceptent les prises mises à la terre à trois broches et les prises à deux broches des outils à double isolation. S'il n'y a pas de prise mise à la terre disponible, utiliser un adaptateur provisoire pour brancher la prise à trois broches de la boîte d'interrupteur dans une prise à deux trous. N'utiliser l'adaptateur provisoire seulement jusqu'à ce qu'un électricien qualifié installe une prise à trois broches correctement mise à la terre. La languette de contact rigide de couleur verte ou le fil de mise à la terre DOIT se connecter à la terre sur la prise. Voir la figure 27.

### RISQUE D'ÉLECTROCUTION

NE PAS toucher les broches en insérant ou débranchant la prise. Inadéquat

Une mise à la terre inadéquate risque de produire des décharges électriques pouvant provoquer de graves blessures voire la mort - particulièrement dans les conditions humides comme un sous-sol, à l'extérieur ou à proximité d'installations de plomberie.

NE PAS fixer une prise à 3 voies ou tout autre adaptateur sur des prises en bas de la boîte d'interrupteur.

Utiliser uniquement la boîte d'interrupteur lorsqu'elle est correctement fixée à la table à toupie ET lorsque la toupilleuse est solidement fixée à la table à toupie.

## ADVERTENCIA

Los receptáculos eléctricos en el fondo de la caja del interruptor aceptan clavijas conectadas a tierra de tres espigas y las clavijas de dos espigas de las herramientas con aislamiento doble. Si no se dispone de un receptáculo conectado a tierra correctamente, use un adaptador temporal para conectar la clavija de tres espigas de la caja del interruptor a un receptáculo de dos orificios. Haga uso del adaptador temporal solamente hasta que un electricista calificado instale un receptáculo de tres espigas correctamente conectado a tierra. La zapata rígida verde o el conductor verde de conexión a tierra SE DEBE conectar a la tierra del receptáculo. Consulte la Figura 27.

### RIESGO DE DESCARGA ELÉCTRICA

NO toque las espigas cuando inserte o retire la clavija del receptáculo. La inadecuada

conexión a tierra puede producir descargas eléctricas potencialmente peligrosas que pueden causar lesiones graves o la muerte - especialmente en condiciones mojadas como un sótano, la intemperie o plomería cercana.

NO conecte una clavija de tres vías o cualquier otro adaptador a los receptáculos del fondo de la caja del interruptor.

Use la caja del interruptor solamente cuando esté armada correctamente a la mesa de fresadora Y cuando la fresadora esté instalada correctamente a la mesa de fresadora.

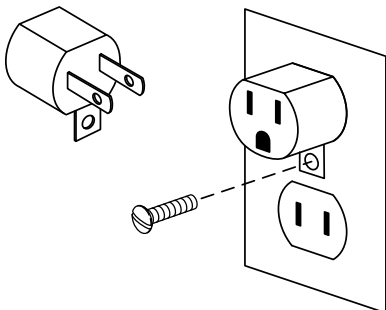



Figure 27  
Figura 27


## Se familiariser avec la boîte d'interrupteur Familiarización con la caja del interruptor

L'objet de ce chapitre est de familiariser l'utilisateur au fonctionnement de la boîte d'interrupteur AVANT que la toupilleuse soit branchée.

 **AVERTISSEMENT** NE PAS brancher la toupilleuse à ce moment. Un interrupteur MARCHE fera démarrer la toupilleuse et un utilisateur non prévenu risquerait de se blesser gravement.

La boîte d'interrupteur est également dotée d'une clé de sécurité qui empêche que les outils branchés à la boîte d'interrupteur ne soient mis en MARCHE par inadvertance. Enlever la clé de sécurité désactive la boîte d'interrupteur en verrouillant ce dernier en position ARRÊT. Appuyer sur la palette d'interrupteur avec votre main et mettre la toupilleuse HORS TENSION en cas d'urgence. Veuillez noter que les positions de l'interrupteur à palettes et le bouton de remise en marche à ce moment. Voir la figure 28.

La finalidad de esta sección es familiarizar al usuario con la operación de la caja del interruptor ANTES de que se enchufe la fresadora.

 **ADVERTENCIA** NO enchufe la fresadora en este momento. Un interruptor en ON arrancará la fresadora y un usuario no preparado podría posiblemente ser lesionado gravemente.

La caja del interruptor también tiene una llave de seguridad que evita que las herramientas enchufadas en la caja del interruptor sean encendidas (posición ON) inadvertidamente. Al quitar la llave de seguridad se inhabilita la caja del interruptor bloqueando el interruptor en la posición de apagado (OFF). En una situación de emergencia, golpee la paleta del interruptor con su mano para poner la fresadora en OFF. Sírvase observar las posiciones del interruptor de paleta y del botón de restablecer en este momento. Consulte la Figura 28.

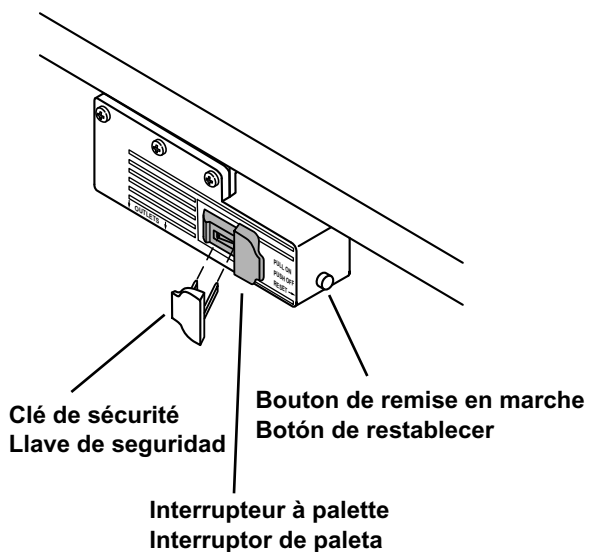


Figure 28  
Figura 28

## Utilisation de la boîte d'interrupteur et de la toupilleuse/Operación de la caja del interruptor y la fresadora



### AVERTISSEMENT

S'assurer que l'interrupteur de la toupilleuse et que la boîte d'interrupteur sont HORS TENSION AVANT de commencer.

1. Insérer la clé de sécurité jaune dans la boîte d'interrupteur.
2. Placer l'interrupteur d'alimentation de la toupilleuse en position MARCHÉ.

REMARQUE : Si votre toupilleuse nécessite l'utilisation d'une gâchette d'interrupteur et du bouton "verrouillage", consulter le manuel d'utilisation de la toupilleuse pour les instructions d'utilisation.

3. Insérer un doigt sous la palette et tirer l'interrupteur sur la position MARCHÉ.
4. Pour mettre la toupilleuse HORS TENSION, enfoncer la palette.



### AVERTISSEMENT

Le foret de la toupilleuse doit être complètement arrêté avant de laisser la table à toupie sans surveillance.

5. Verrouiller l'interrupteur en position ARRÊT en ôtant la clé de la boîte d'interrupteur.



### ADVERTENCIA

Asegúrese que el interruptor de la fresadora esté en OFF y la caja del interruptor esté en OFF ANTES de seguir adelante.

1. Inserte la llave de seguridad amarilla en la caja del interruptor.
2. Coloque el interruptor de alimentación de la fresadora en ON.

NOTA: Si su fresadora requiere el uso del interruptor de gatillo y el botón de "Candado On", consulte las instrucciones de operación en el manual del propietario de su fresadora.

3. Inserte un dedo debajo de la paleta y jale hacia afuera el interruptor a la posición ON.
4. Para apagar la fresadora (posición OFF) empuje la paleta hacia adentro.



### ADVERTENCIA

La broca de la fresadora debe parar completamente antes de dejar la mesa de fresadora sin alguien que la atienda.

5. Bloquee el interruptor en la posición OFF quitando la llave de la caja del interruptor.

## Pour les toupilleuses équipées d'une fonction "VERROUILLAGE "

La fonction "VERROUILLAGE " dont certaines toupilleuses sont équipées ne permet pas de mettre en MARCHÉ la toupilleuse à l'aide de la boîte d'interrupteur, en revanche, il est possible de la mettre HORS TENSION par cette même boîte.

1. Placer la boîte d'interrupteur sur MARCHÉ comme il a été expliqué précédemment. La toupilleuse ne devrait PAS démarrer même si le verrou est en position "VERROUILLAGE ". Consulter votre manuel d'utilisation de la table à toupie.

2. Pour démarrer la toupilleuse, appuyer sur la gâchette sur l'interrupteur de la toupilleuse et enclencher le bouton "VERROUILLAGE ". La toupilleuse doit démarrer.

REMARQUE : En général, une toupilleuse ne démarre pas si l'interrupteur est déjà en position "VERROUILLAGE ". Dans ce cas, déverrouiller la gâchette, appuyer sur la gâchette pour démarrer la toupilleuse puis réenclencher le bouton de "VERROUILLAGE ".

3. Pour mettre la toupilleuse HORS TENSION, enfoncer la palette.

## Para fresadoras con la característica de "LOCK-ON"

La característica de "LOCK-ON" en algunas fresadoras no permitirá que la fresadora se encienda (posición ON) por la caja del interruptor, pero sí se puede apagar (posición OFF) con la caja del interruptor.

1. Coloque la caja del interruptor en ON como se describió antes. La fresadora NO debe arrancar aún cuando el candado de gatillo esté en la posición "LOCK-ON". Consulte el manual del propietario de su mesa de fresadora.

2. Para arrancar la fresadora, oprima el gatillo del interruptor de la fresadora y enganche el botón de "LOCK-ON". La fresadora debe arrancar.

NOTA: Típicamente, una fresadora no arrancará si el interruptor de la misma ya está en la posición de "LOCK-ON". En este caso, desbloquee el gatillo, oprima el gatillo para arrancar la fresadora y después vuelva a enganchar el botón de "LOCK-ON".

3. Para apagar la fresadora (posición OFF), empuje la paleta del interruptor hacia adentro.

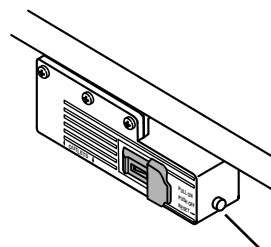
## Disjoncteur/Interruptor automático

En cas de surcharge, le disjoncteur situé à l'intérieur de la boîte d'interrupteur se déclenche et interrompt l'alimentation de la toupilleuse et de tous les accessoires. Dans ce cas :

1. Débrancher le cordon d'alimentation.
2. Enlever la pièce travaillée du foret de la toupilleuse et de la table.
3. Trouver la cause de surcharge et y remédier.
4. Appuyer sur le bouton de remise en marche. Voir la figure 29.
5. Branchez le cordon d'alimentation.
6. Suivre les instructions à la rubrique Utilisation de la boîte d'interrupteur et de la toupilleuse pour remettre la toupilleuse en marche.

Si ocurre una sobrecarga, el interruptor automático adentro de la caja del interruptor se dispara e interrumpe la alimentación eléctrica a la fresadora y a cualquier accesorio. Si esto sucede:

1. Desenchufe el cordón de alimentación.
2. Quite la pieza de trabajo de la broca de la fresa y de la mesa.
3. Encuentre la causa de la sobrecarga y corríjala.
4. Empuje el botón de restablecer para restablecerla. Consulte la Figura 29.
5. Enchufe el cordón de alimentación.
6. Para restablecer la fresadora siga las instrucciones en la sección Operación de la caja del interruptor y la fresadora.



**Bouton de remise en marche**  
**Botón de restablecer**

Figure 29  
Figura 29



**AVERTISSEMENT**

Lorsque la table à toupie n'est pas utilisée, toujours :

1. Placer la boîte d'interrupteur en position ARRÊT et enlever la clé de sécurité.
2. Placer l'interrupteur d'alimentation de la toupilleuse en position ARRÊT.
3. Débrancher la boîte d'interrupteur de la prise murale.
4. Enlever le foret de toupilleuse.
5. S'assurer que la pince de la toupilleuse se trouve en-dessous de la table à toupie.
6. Enlever et placer la clé de sécurité dans un endroit sûr. Ne pas oublier l'endroit où elle est rangée.

**AVERTISSEMENT**

Si le disjoncteur se déclenche, la toupilleuse se détache ou si l'alimentation est coupée pour quelque raison que ce soit, placer la boîte d'interrupteur en position ARRÊT, ôter la clé de sécurité et la débrancher de la prise murale.

**ADVERTENCIA**

Cuando la mesa de fresadora no esté en uso, siempre:

1. Coloque la caja del interruptor en la posición OFF y quite la llave de seguridad.
2. Coloque el interruptor de alimentación eléctrica de la fresadora en la posición OFF.
3. Desenchufe la caja del interruptor del receptáculo de pared.
4. Quite la broca de la fresadora.
5. Asegúrese que el conjunto de pinza para brocas de la fresadora esté por debajo de la mesa de fresadora.
6. Quite la llave de seguridad y colóquela en un lugar seguro. Recuerde en donde colocó la llave de seguridad.

**ADVERTENCIA**

Si el interruptor automático se dispara, la fresadora se para, o la alimentación eléctrica falla por cualquier otra razón, coloque la caja del interruptor en la posición OFF, quite la llave de seguridad y desenchufe la caja del interruptor del receptáculo de pared.

## ASSEMBLAGE DU GUIDE À LA TABLE À TOUPIE CÓMO ARMAR LA BARRERA GUÍA A LA MESA DE FRESADORA

1. Placer le guide sur la table à toupie, la partie avant (le côté plat) faisant face à l'avant de la table à toupie. Voir la figure 30.

2. Insérer la vis de la poignée dans le trou de la surface de la table et dans l'écrou (AM) du guide monté sous la table. Recommencer pour l'autre poignée.

3. Tourner les poignées dans le sens des aiguilles d'une montre pour fixer le guide dans la position souhaitée.

1. Coloque la barrera guía sobre la mesa de fresadora con el frente de la barrera guía (lado plano) mirando hacia el frente de la mesa de fresadora. Consulte la Figura 30.

2. Inserte el tornillo de botón de la barrera guía en el orificio del tablero y a través de la tuerca (AM) montada en el lado de abajo de la mesa. Repita para el otro botón.

3. Gire los botones en dirección de las manecillas del reloj para asegurar la barrera guía en la posición deseada.

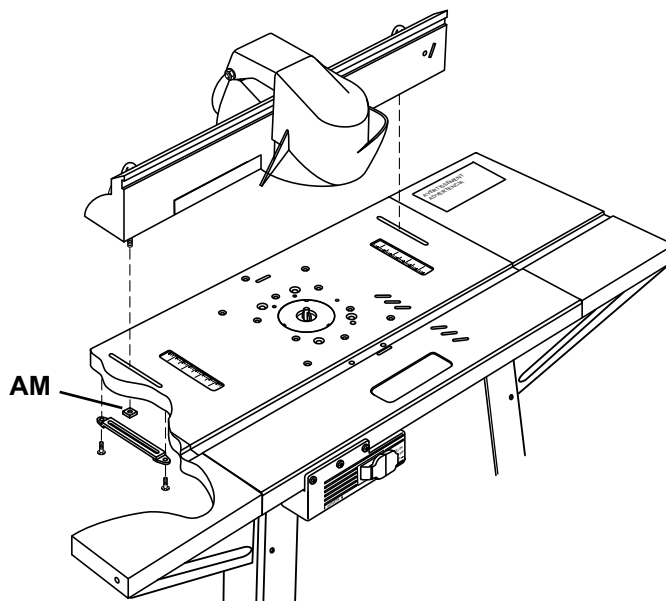


Figure 30  
Figura 30

## Assembler les inserts Arme los insertos

Les inserts servent à diminuer la quantité de copeaux de bois et de poussières qui peuvent s'accumuler sur la table à toupie. Ils peuvent également stabiliser la pièce sur laquelle on travaille.

Quatre inserts accompagnent votre table à toupie. Trois des inserts sont à utiliser avec un foret de taille spécifique; il est possible de percer l'autre sur commande. Consulter la figure 31 et le tableau en haut à droite. Une marque centrale est située à l'arrière de l'insert vierge indiquant l'endroit à percer.

Los insertos ayudan a reducir la cantidad de recortes de madera y aserrín que se pueden acumular en la mesa de fresadora. También pueden dar estabilidad a la pieza de trabajo.

Vienen cuatro insertos con su mesa de fresadora. Tres de los insertos son para usarse con un tamaño específico de broca, uno puede ser perforado según las necesidades. Consulte la Figura 31 y la tabla de arriba a la derecha. En la parte posterior del inserto ciego hay una marca al centro para taladrar.

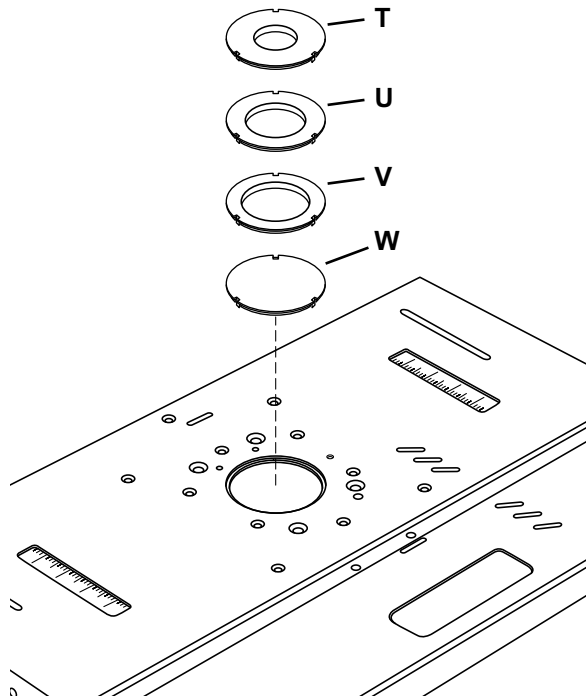


Figure 31  
Figura 31

Diamètre de l'insert/Diámetro de inserto	Diamètre de la fraise de toupilleuse à utiliser/Diámetro de broca fresadora que se va a usar	Figure 31 Référence/Referencia a Figura 31
1-1/4 po"	1-1/8 po	AA
1-7/8 po"	1-3/4 po	AB
2-1/8 po"	2 po	AC
1/4 à/a 2-3/8 po"	ne pas percer de trous de plus de 2-3/8 po pour les fraises de 2-1/4 po/ perforar no más de 2-3/8 pulgadas para brocas de 2-3/4 pulgadas	AD



### AVERTISSEMENT

Ne pas utiliser une fraise d'un diamètre supérieur à 2-3/4 po sur cette table à toupie.



### ADVERTENCIA

No utilice una broca para fresadora con un diámetro de más de 2-3/4 pulgadas en esta mesa de fresadora.

## Utilisation de l'insert Uso de insertos

1. Sélectionner l'insert adapté au foret de toupilleuse et à votre application.

2. Pour assembler la table à toupie, appuyer sur l'insert dans le trou de la table, en appliquant une pression égale sur tous les côtés. Ce qui permettra à l'insert de s'enclencher en place.



### AVERTISSEMENT

Avant d'ôter l'insert, la boîte d'interrupteur et l'interrupteur de la toupilleuse doivent être en position ARRÊT et le cordon d'alimentation doit être débranché de la prise.

3. Ôter l'insert en plaçant votre doigt dans le trou central. Tirer sur l'insert en exerçant une légère pression.

REMARQUE : Enlever le foret de la toupilleuse avant d'essayer d'ôter l'insert.

1. Seleccione el inserto correcto para la broca de fresadora y la aplicación de usted.

2. Para armar el inserto a la mesa de fresadora, presiónelo en el hueco de la mesa, aplicando presión igual a todos los lados. Esto asegura que el inserto entre de golpe en su lugar.



### ADVERTENCIA

Antes de quitar el inserto, la caja del interruptor debe estar en la posición OFF, el interruptor de la fresadora debe estar en la posición OFF y el cordón de alimentación eléctrica debe estar desenchufado del receptáculo.

3. Quite el inserto colocando su dedo en el centro del hueco. Con una ligera presión, bote hacia arriba el inserto.

NOTA: Quite la broca de la fresadora antes de intentar quitar el inserto.

# UTILISATION/OPERACIÓN

## Branchement d'un aspirateur

Un port situé sur le guide accepte les raccords de tuyau d'aspirateur de 2-1/2 po. S'il est branché dans la boîte d'interrupteur, l'aspirateur se mettra sur MARCHE et ARRÊT en même temps que la toupilleuse.

## Cómo conectar vacío

En la barrera guía, se proporciona una toma que acepta conexiones de manguera para vacío de 2-1/2 pulgadas. Si la aspiradora se enchufa en la caja del interruptor, se encenderá y apagará (ON y OFF) simultáneamente con la fresadora.

## Utiliser la toupilleuse/table à toupie Cómo usar su fresadora / mesa de fresadora

### Régler la profondeur/hauteur de la coupe Cómo ajustar la profundidad / altura del corte



hauteur.

S'assurer que la toupilleuse est débranchée avant de procéder au réglage de la profondeur et de la



Asegúrese que la fresadora está desenchufada antes de iniciar los ajustes de profundidad / altura.

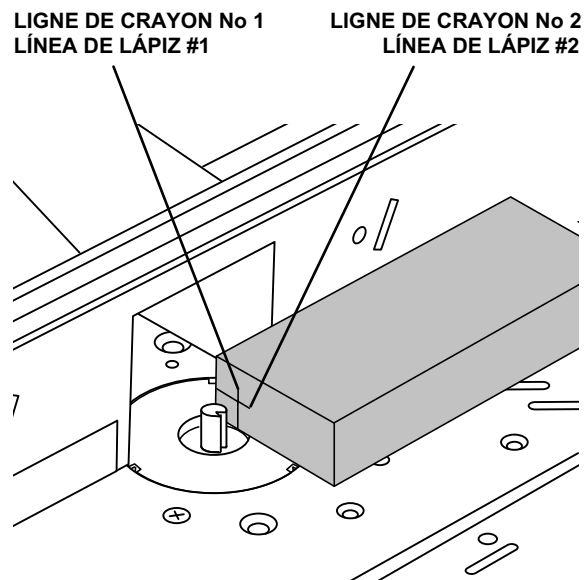


Figure 32  
Figura 32

REMARQUE : Il est recommandé d'utiliser une planche lisse et rectiligne pour effectuer ce réglage.

1. À l'extrémité de la planche, utiliser un crayon tendre pour marquer la ligne no 1. Elle indique la profondeur de la coupe. Voir la figure 32.
2. Marquer la ligne no 2 indiquant la hauteur de la coupe.
3. Placer la planche de façon à ce qu'elle se trouve contre la face du guide. L'extrémité des lignes nos 1 et 2 doit être proche du foret.
4. Desserrer les poignées de serrage du guide suffisamment de façon à pouvoir déplacer le guide facilement. Déplacer le guide et la planche de façon à ce que la planche touche l'extrémité extérieure du foret de toupilleuse à la ligne no 1.
5. Serrer les poignées de serrage du guide.
6. Ajuster la hauteur de la toupilleuse de façon à ce que l'extrémité coupante du foret touche la ligne no 2.
7. Vérifier que la fraise soit correctement serrée dans le mandrin de la toupilleuse.



En se tenant debout en face de la table à toupie, insérer la pièce à travailler de droite à gauche.

NOTA: Se recomienda usar una tabla de desperdicio que esté lisa y recta para hacer este ajuste.

1. En el extremo de la tabla, marque la línea #1 usando un lápiz suave. Ésta indica la profundidad del corte. Consulte la Figura 32.
2. Marque la línea #2, indicando la altura del corte.
3. Coloque su tabla de modo que esté ceñida contra la cara de la barrera guía. El extremo con las líneas #1 y #2 debe estar cerca de la broca.
4. Afloje suficiente los botones de sujeción de la barrera guía de modo que pueda moverla fácilmente. Mueva la barrera guía y la tabla de modo que la tabla haga contacto con la orilla exterior de la broca de la fresadora en la línea #1.
5. Apriete los botones de sujeción de la barrera guía.
6. Ajuste la altura de la fresadora de modo que la orilla de corte de la broca haga contacto con la línea #2.
7. Asegúrese que la broca esté apretada firmemente en el porta broca de la fresadora.

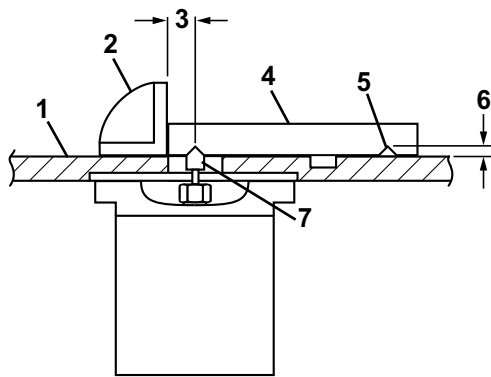


Estando parado enfrente de la mesa de fresadora, alimente la pieza de trabajo de derecha a izquierda.

## Utiliser la toupilleuse pour le moulage et la coupe d'extrémité

1. Desserrer les poignées qui maintiennent le guide en place.
2. Placer le guide pour la profondeur de coupe souhaitée. Voir l'article 3 à la figure 33.
3. Serrer les poignées pour fixer le guide en place.
4. Basculer l'écran de protection sur le foret de la toupilleuse.
5. Votre toupilleuse et votre table à toupie sont maintenant prêtes à utiliser.

REMARQUE : Ne pas oublier de toujours insérer la pièce travaillée dans la direction opposée à la rotation du foret. Tester sur du bois à jeter avant de procéder à des coupes définitives.



- |                         |                          |
|-------------------------|--------------------------|
| 1. Surface de la table  | 1. Tablero de la mesa    |
| 2. Guide                | 2. Barrera guía          |
| 3. Profondeur de coupe  | 3. Profundidad de corte  |
| 4. Pièce travaillée     | 4. Pieza de trabajo      |
| 5. Coupe successive     | 5. Corte sucesivo        |
| 6. Profondeur de coupe  | 6. Altura del corte      |
| 7. Foret de toupilleuse | 7. Broca de la fresadora |

Figure 33  
Figura 33

## Cómo usar la fresadora para corte de molduras y rebordes

1. Afloje los botones que sujetan la barrera guía en su lugar.
2. Coloque la barrera guía para la profundidad de corte deseada. Vea el número 3 en la Figura 33.
3. Apriete los botones que sujetan la barrera guía en su lugar.
4. Gire la protección de seguridad sobre la broca de la fresadora.
5. Su fresadora / mesa de fresadora ahora están listas para usarse.

NOTA: Recuerde de siempre alimentar la pieza de trabajo en contra de la dirección de rotación de la broca de la fresadora. Haga la prueba en una madera de desperdicio antes de hacer los cortes finales.

## Utiliser des forets guidés par roulements à billes; nervurer, canneler et rainurer Cómo usar brocas guiadas con rodamientos de bolas; vetear, acanalar y ranurar



Afin de réduire le risque de blessure, s'assurer que le guide est aussi proche que possible du foret guidé par roulement à billes. Déplacer le guide vers l'arrière SEULEMENT suffisamment pour permettre au guide par roulement à billes de contrôler la profondeur de la coupe.



Para ayudarle a reducir la posibilidad de lesiones, asegúrese que la barrera guía está tan cerca como sea posible a la broca guiada con rodamientos de bolas. Mueva la barrera guía hacia atrás SOLAMENTE lo suficiente para permitir que la guía de rodamiento de bolas controle la profundidad de corte.

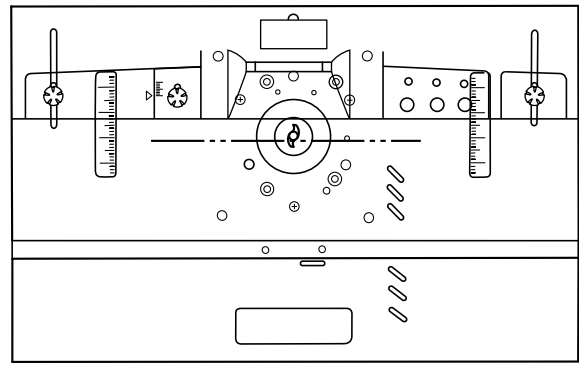


Figure 34  
Figura 34

Le bord de la pièce travaillée qui coulisse le long du guide doit être droit et rectiligne pour obtenir des résultats optimaux. (Utiliser des matériaux de récupération pour tester les réglages.) Voir les figures 33 et 34.

1. Une fois le foret de toupilleuse réglé à la profondeur souhaitée, positionner et fixer le guide derrière le foret à une distance déterminée lors de la coupe précédente. Abaisser l'écran de sécurité.
2. Faire glisser la pièce travaillée contre le guide. Ajuster le guide pour les coupes suivantes.

REMARQUE : Pour le travail en profondeur, faire des coupes successives jusqu'à ce que vous atteignez une profondeur adéquate. Pour éviter de surcharger la toupilleuse, enlever les matériaux de déchets au fur et à mesure.

Para obtener mejores resultados la orilla de la pieza de trabajo que se desliza a lo largo de la barrera guía debe estar derecha y sin desviaciones. (Use desperdicio para probar los ajustes). Consulte las Figuras 33 y 34.

1. Con la broca de la fresadora ajustada a la profundidad adecuada, coloque y fije la barrera guía atrás de la broca a una distancia determinada por el corte anterior. Baje la protección de seguridad.
2. Deslice la pieza de trabajo contra la barrera guía. Ajuste la barrera guía para cortes subsecuentes.

NOTA: Para trabajo profundo, haga cortes sucesivos hasta que alcance la profundidad correcta. Para evitar sobrecargar la fresadora, retire el material de desperdicio conforme avanza.

## Utiliser le guide et la semelle arrière pour les coupes frontales

### Cómo usar la barrera guía y el apoyo de empuje para corte en el extremo



#### AVERTISSEMENT

Cette opération est effectuée sans que l'écran de sécurité soit en place. Prendre d'extrêmes précautions. Ne laisser à aucun moment une partie du corps contacter le foret de la toupilleuse. Cela risquerait de provoquer de graves blessures.



#### AVERTISSEMENT

Débrancher la toupilleuse pour faire les réglages.

Pour toupiller, pour faire des assemblages de languettes et de rainures, des tenons et faire coulisser des queues d'aronde, il est nécessaire que les bords et les extrémités de la pièce travaillée soient rectilignes et lisses et tous les côtés forment entre eux des angles de 90°. Utiliser du bois de récupération pour tester les réglages avant d'effectuer des coupes définitives.



#### ADVERTENCIA

Esta operación se hace sin la protección de seguridad en su lugar. Tenga precaución extrema.

No permita que alguna parte del cuerpo haga contacto con la broca de la fresadora en ningún momento. Hacerlo podría conducir a lesiones personales graves.



#### ADVERTENCIA

Desenchufe la fresadora mientras hace los ajustes.

El fresado para hacer ensambladuras machihembradas, de espigas y colas de milano deslizantes requiere que las orillas y los extremos de la pieza de trabajo estén sin desviaciones y lisas, con todos los lados a ángulos de 90° del uno al otro. Use madera de desperdicio para probar los ajustes antes de hacer los cortes finales.

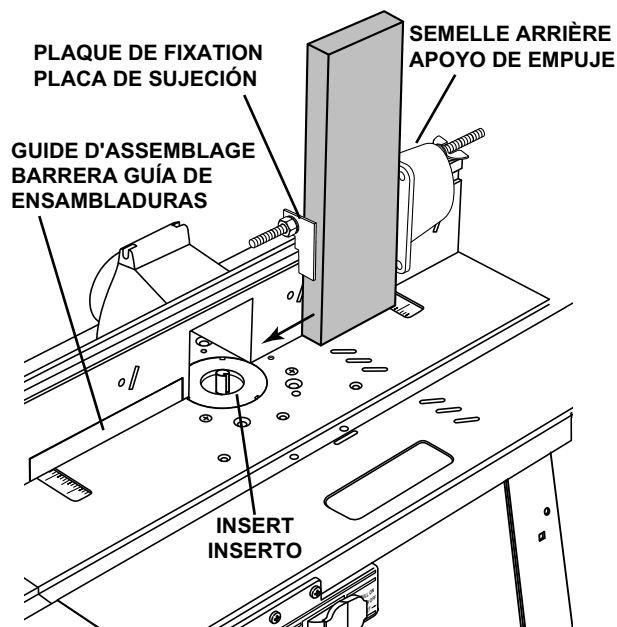


Figure 35  
Figura 35

1. Placer l'insert adéquat dans le trou de la table. Voir la figure 35.
2. Verrouiller le guide d'assemblage en position complètement rétractée.
3. À l'extrémité de la planche où la coupe doit se faire, utiliser un crayon tendre pour marquer la ligne no 1. Elle indique la profondeur de la coupe (la quantité de bois à enlever). Puis, marquer la ligne no 2 indiquant la hauteur du tenon. Voir la figure 32, page 75.
4. Placer votre planche de façon à ce qu'elle soit ajustée contre la semelle arrière et la plaque de fixation, avec son côté contre la face du guide. Les lignes nos 1 et 2 doivent se trouver à proximité de la fraise; l'extrémité de la pièce de travail doit se trouver sur le bord du trou d'insert.
5. S'assurer que la plaque de fixation continue à maintenir la pièce travaillée. Serrer l'écrou à oreilles sur la tige de fixation.



#### MISE EN GARDE

Ne pas trop serrer l'écrou à oreilles. Un serrage trop ferme risque de faire dévier le mouvement de la semelle arrière, qui à son tour peut produire "des crans" ou autres écarts dans le tenon.

REMARQUE : Pour le travail en profondeur, faire des coupes successives jusqu'à ce qu'une profondeur correcte soit atteinte. Pour éviter de surcharger la toupilleuse, enlever les déchets au fur et à mesure.

6. Déplacer le guide et la planche, puis ajuster la toupilleuse pour que la planche touche le bord extérieur de la fraise de toupilleuse à la ligne no 1 et le bord de coupe de la toupilleuse touche la ligne no 2. Tenir fermement le guide et fixer la toupilleuse.

1. Coloque el inserto correcto en el hueco de la mesa. Consulte la Figura 35.

2. Trabaja la barrera guía de ensambladuras en la posición totalmente retraída.

3. En el extremo de la tabla en que se va a hacer el corte, use un lápiz suave para marcar la línea # 1, Ésta indica la profundidad del corte (cuánta madera se va quitar). Después, marque otra línea la # 2, indicando la altura de la espiga. Consulte la Figura 32, página 75.

4. Coloque su tabla de modo que esté ceñida contra el apoyo de empuje y la placa de sujeción, con su lado contra la cara de la barrera guía. Las líneas # 1 y # 2 deben estar cerca de la broca; el extremo de la pieza de trabajo debe estar en la orilla del hueco del inserto.

5. Cómo asegurarse que la placa de sujeción continúa sujetando la pieza de trabajo. Apriete la tuerca de mariposa en la varilla de sujeción.



#### PRECAUCIÓN

No apriete demasiado la tuerca de mariposa. Apretar demasiado puede causar que se trabe el movimiento del apoyo de empuje, lo que a su vez puede producir "escalones" o alguna otra variación en la espiga.

NOTA: Para trabajo profundo, haga cortes sucesivos hasta que alcance la profundidad correcta. Para evitar sobrecargar la fresadora, retire el material de desperdicio conforme avanza.

6. Mueva la barrera guía y la tabla y ajuste la fresadora de modo que la tabla haga contacto con la orilla de más afuera de la broca de la fresadora en la línea # 1 y la orilla de corte de la broca haga contacto con la línea # 2. Sujete hacia abajo la barrera guía y fije la fresadora.

7. Déplacer la semelle arrière en laissant la pièce légèrement en retrait du foret de la toupilleuse.

8. Utiliser le commutateur pour mettre la toupilleuse en marche. En maintenant la semelle arrière/la pièce travaillée à deux mains à une distance sécuritaire du foret en rotation, faire glisser la pièce travaillée vers et à travers le foret. Passer complètement la pièce travailler sans arrêter.

9. Arrêter la toupilleuse à la boîte d'interrupteur.

10. Desserrer la pièce travaillée en retournant la semelle arrière de l'autre côté du foret de toupilleuse.

11. Fixer et positionner le côté opposé de la pièce travaillée (voir l'étape 4). Recommencer les étapes 7, 8 et 9.

12. Au moment de la coupe des extrémités de tenon, fixer et positionner la pièce travaillée comme il est décrit à l'étape 4, en maintenant l'extrémité de la pièce travaillée au même niveau que la face du guide et reposer l'extrémité à couper au sommet de la toupilleuse. Recommencer les étapes 7, 8 et 9.

REMARQUE : Pour les quatre côtés d'un tenon, n'effectuer qu'un seul passage, coupant la profondeur complète du tenon.

REMARQUE : Le fait de fixer la pièce travaillée avec l'extrémité à couper reposant sur la table peut aider à réduire les variations dans la surface finie du tenon qui risque de provoquer des irrégularités dans la planitude de la table.



En se tenant face à la table à toupie, insérer la pièce à travailler de droite à gauche.

7. Mueva el apoyo de empuje con la pieza de trabajo ligeramente hacia atrás de la broca de la fresadora.

8. Use el interruptor para encender la fresadora. Sujetando el apoyo de empuje / pieza de trabajo con ambas manos a una distancia segura de la broca en rotación deslice la pieza de trabajo hacia y a través de la broca. Haga una pasada completa sin parar de la pieza de trabajo.

9. Apague la fresadora en la caja del interruptor.

10. Deje de sujetar la pieza de trabajo, regresando el apoyo de empuje al otro lado de la broca de la fresadora.

11. Sujete y coloque el lado opuesto de la pieza de trabajo (consulte el paso 4). Repita los pasos 7, 8 y 9.

12. Cuando se corten extremos de espigas, sujete y coloque la pieza de trabajo como se describe en el paso 4, excepto que sujete la orilla de la pieza de trabajo al ras con la cara de la barrera guía y descance el extremo que se va a cortar encima de la mesa de fresadora. Repita los pasos 7, 8 y 9.

NOTA: Por todos los cuatro lados de la espiga, haga sólo una pasada, cortando completa la profundidad de la espiga.

NOTA: Sujetar la pieza de trabajo con el extremo que se va a cortar descansando en el tablero de la mesa puede ayudar a minimizar cualquier variación en la superficie acabada de la espiga que pudiera ser causada por irregularidades en lo plano del tablero de la mesa.



Estando parado enfrente de la mesa de fresadora, alimente la pieza de trabajo de derecha a izquierda.

## Utiliser la toupilleuse comme une dégauchisseuse Cómo usar la fresadora como ensambladora

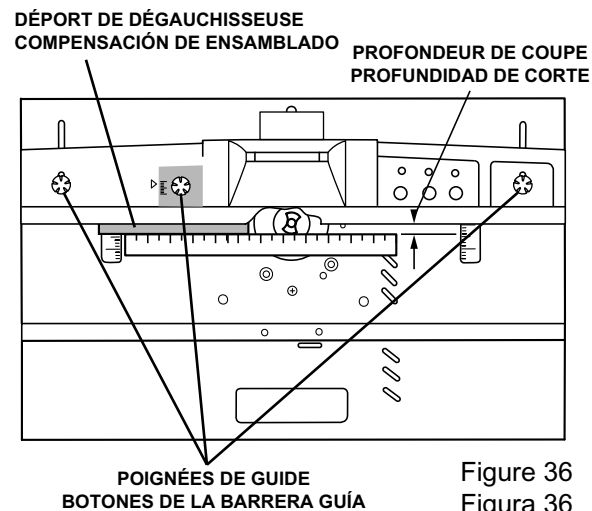


Figure 36  
Figura 36

1. Positionner le guide pour la profondeur de coupe souhaitée. Serrer les poignées du guide.

2. Placer un bord droit contre le déport de dégauchisseuse.

3. Desserrer la poignée en maintenant le déport de la dégauchisseuse en place.

4. Faire glisser le déport de dégauchisseuse vers l'extérieur jusqu'à ce qu'une extrémité touche le diamètre extérieur du foret de toupilleuse. Voir la figure 36.

5. Serrer la poignée de déport de dégauchisseuse.

6. Basculer l'écran de protection sur le foret de toupilleuse.

7. Votre toupilleuse et votre table à toupie sont maintenant prêtes à utiliser.

REMARQUE : Essayer sur du bois de récupération pour vérifier la précision des ajustements.

1. Coloque la barrera guía para la profundidad de corte deseada. Apriete los botones de la barrera guía.

2. Coloque una regla contra la compensación de ensamblado.

3. Afloje el botón que sujeta la compensación de ensamblado en su lugar.

4. Deslice hacia afuera la compensación de ensamblado hasta que la regla toque el diámetro exterior de la broca de la fresadora. Consulte la Figura 36.

5. Apriete el botón de la compensación de ensamblado.

6. Gire la protección de seguridad sobre la broca de la fresadora.

7. Su fresadora / mesa de fresadora están listas para usarse.

NOTA: Pruebe con una madera de desperdicio para verificar que el ajuste es correcto.

## Utiliser le guide avec une planche pour les pièces à travailler plus grandes Cómo usar la barrera guía con una tabla para piezas de trabajo más grandes

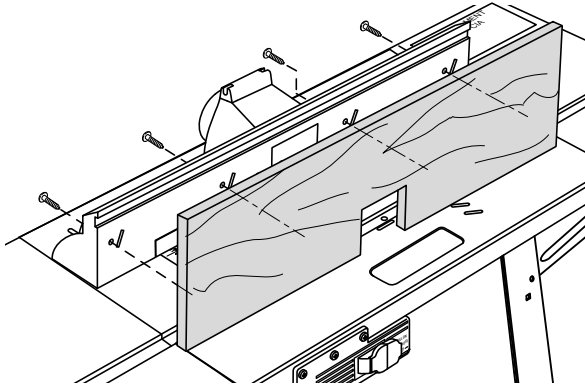


Figure 37  
Figura 37

Trois trous dans le guide permettent d'assembler une planche de 8 pouces de hauteur (au maximum) pour toupiller sans risque les pièces travaillées plus importantes.

1. Enlever la semelle arrière du guide.
2. Fixer la planche au guide avec 4 vis à bois (non fournies). Voir la figure 37.
3. La planche peut être entaillée avant de toupiller; il est également possible de profiler le foret de toupilleuse dans la planche en insérant la planche à travers le foret.
4. Positionner le guide pour la profondeur de coupe souhaitée. Serrer les poignées du guide.
5. Serrer fermement le foret de toupilleuse et s'assurer que la toupilleuse est correctement assemblée à la table à toupie, tel qu'il a été expliqué précédemment dans ce manuel.
6. Votre toupilleuse et votre table à toupie sont maintenant prêtes à toupiller de grandes pièces.

Tres orificios en la barrera guía permiten el montaje de una madera de 8 pulgadas de altura (máxima) para el fresado seguro y firme de piezas más grandes.

1. Quite el apoyo de empuje de la barrera guía.
2. Fije la tabla a la barrera guía con 4 tornillos para madera (no suministrados). Consulte la Figura 37.
3. La tabla se puede ranurar antes del fresado o se puede hacer el perfil de la broca en la madera alimentando la tabla a través de la broca de la fresadora.
4. Coloque la barrera guía a la profundidad de corte deseada. Apriete los botones de la barrera guía.
5. Apriete firmemente la broca de la fresadora y asegúrese que la fresadora está armada a la mesa adecuadamente como antes se detalló en este manual.
6. Su fresadora / mesa de fresadora están listas para fresar piezas de trabajo grandes.

## Toupiller sans semelle arrière, écran de sécurité et/ou guide Cómo fresar sin apoyo de empuje, protección de seguridad y /o barrera guía

Pour bon nombre de travaux, il est nécessaire d'enlever le guide de la table à toupie.

Para muchos trabajos debe quitar la barrera guía de la mesa de fresadora.

**AVERTISSEMENT** Utiliser la toupilleuse sans l'écran de sécurité et le guide en place peut provoquer de graves blessures. Prendre d'extrêmes précautions.

Utiliser la toupilleuse sans écran de protection et de guide SEULEMENT en cas de nécessité absolue et toujours avec des forets de toupilleuse guidés par roulement à billes.

**AVERTISSEMENT** Toujours insérer la pièce travaillée dans la direction opposée à la rotation du foret. Débrancher la toupilleuse avant de changer le foret, de modifier les paramètres ou d'effectuer tout autre ajustement.

**ADVERTENCIA** Usar la fresadora sin la protección de seguridad y la barrera guía en su lugar puede conducir a lesiones personales graves. Tenga precaución extrema.

Opere la fresadora sin la protección de seguridad y la barrera guía SOLAMENTE cuando sea absolutamente necesario y siempre con brocas guiadas con rodamiento de bolas.

**ADVERTENCIA** Alimente la pieza de trabajo en contra de la dirección de rotación de la broca de la fresadora. Desenchufe la fresadora para cambiar la broca, modificar las condiciones o hacer cualquier otro ajuste.

## Toupiller à l'intérieur/Fresado interior

1. Placer votre pièce travaillée sur la table à proximité du foret de toupilleuse tel qu'illustré à la figure 38.
2. Insérer la pièce travaillée dans le foret en direction de la flèche. Toujours insérer la pièce travaillée dans la direction opposée à la rotation du foret.

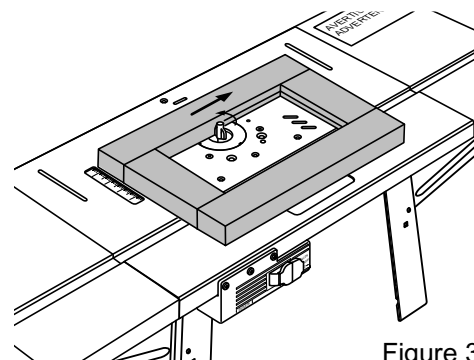


Figure 38  
Figura 38

1. Coloque la pieza de trabajo en la mesa con relación a la broca de la fresadora como se muestra en la Figura 38.
2. Alimente la pieza de trabajo a través de la broca en la dirección de la flecha. Siempre alimente la pieza de trabajo en contra de la dirección de rotación de la broca de la fresadora.

## Toupiller à l'extérieur/Fresado exterior

1. Placer votre pièce travaillée sur la table à proximité du foret de toupilleuse tel qu'illustré à la figure 39.
2. Insérer la pièce travaillée dans le foret en direction de la flèche. Toujours insérer la pièce travaillée dans la direction opposée à la rotation du foret.

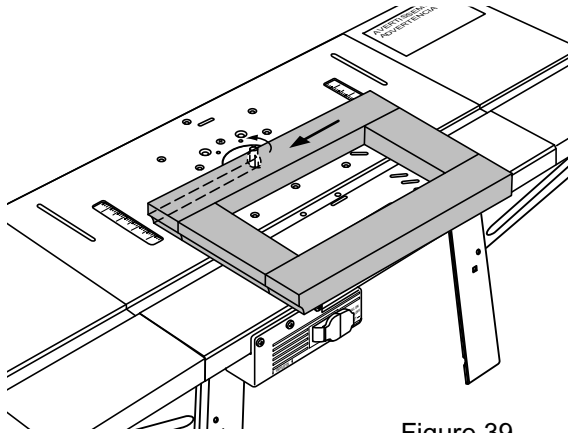


Figure 39  
Figura 39

1. Coloque la pieza de trabajo en la mesa con relación a la broca de la fresadora como se muestra en la Figura 39.
2. Alimente la pieza de trabajo a través de la broca en la dirección de la flecha. Siempre alimente la pieza de trabajo en contra de la dirección de rotación de la broca de la fresadora.

## Toupiller des pièces irrégulières Fresado de piezas irregulares

### BB, noir/negro (1)



Utiliser l'axe de départ. Utiliser uniquement des forets de toupilleuse guidés par roulement à billes.

1. Avec le guide enlevé, ôter l'axe de départ du trou de rangement et le fileter dans le trou de fixation.
2. Positionner la pièce travaillée contre l'axe de démarrage, dégagée toutefois du foret de la toupilleuse. Mettre la toupilleuse en marche et avancer lentement la pièce vers le foret jusqu'à ce qu'elle touche le guide à roulement à billes et que le foret continue à couper le bois. Insérer la pièce à l'opposé de la rotation du foret. Voir la figure 40.
3. En tirant la pièce le long de l'axe de démarrage (de droite à gauche, à l'avant de la toupilleuse), l'insérer à travers le foret, tout en l'appuyant contre le guide à roulement à billes jusqu'à ce que la coupe soit terminée. Voir la figure 41.
4. Lorsque la coupe est terminée, éloigner la pièce du foret, tout en le laissant en contact avec l'axe de démarrage jusqu'à ce qu'il se dégage complètement du foret de toupilleuse. Voir la figure 41.
5. À l'aide de la boîte d'interrupteur, mettre la toupilleuse hors tension.

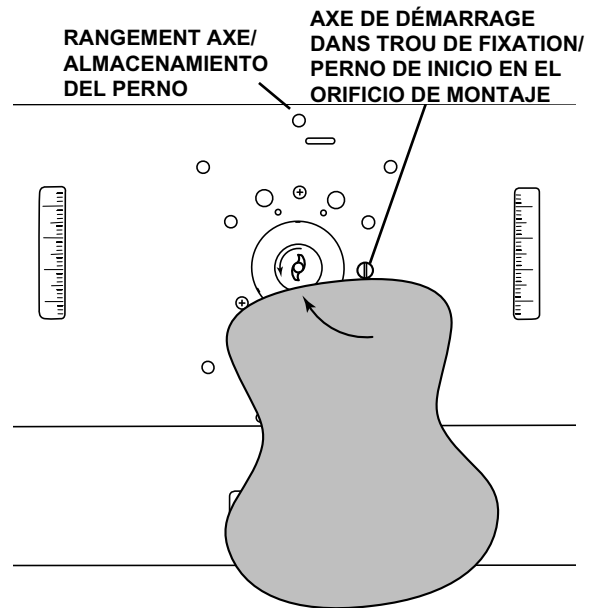


Figure 40  
Figura 40

Use el perno de inicio. Use solamente brocas de fresadora guiadas con rodamiento de bolas.

1. Con la barrera guía desmontada, quite el perno de inicio del orificio para guardarlo y atorníllelo en el orificio de montaje.
2. Coloque la pieza de trabajo contra el perno de inicio, pero sin tocar la broca de la fresadora. Encienda la fresadora y lentamente avance la pieza de trabajo hacia la broca hasta que toque la guía con rodamiento de bolas y la broca empiece a cortar madera. Alimente la pieza de trabajo contra la rotación de la broca. Consulte la Figura 40.

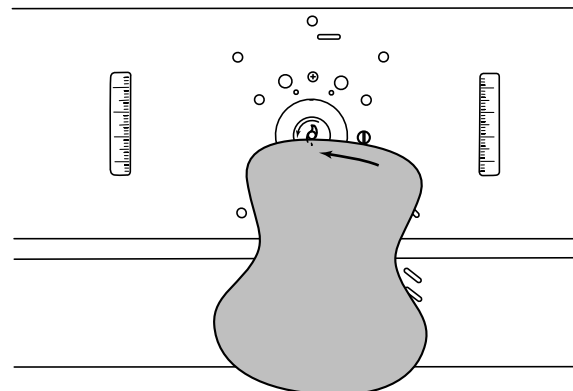


Figure 41  
Figura 41

4. Cuando se termine el corte, mueva la pieza de trabajo lejos de la broca, manteniéndola al mismo tiempo en contacto con el perno de inicio hasta que libre por completo la broca de la fresadora. Consulte la Figura 41.

5. Usando la caja del interruptor, apague la fresadora.



## Utilisation de la jauge à onglets et du guide Cómo usar el medidor de ingletes y la barrera guía

La jauge à onglets peut servir de support supplémentaire pour toupiller les petites extrémités de longues pièces.

**AVERTISSEMENT** Vous devez utiliser la protection de sécurité pour effectuer des coupes à l'aide du guide à onglets.

REMARQUE : S'assurer que le guide et la fente du guide à onglets sont parallèles avant de couper.

Pour couper les onglets, desserrer la poignée qui sert à fixer la tête du guide à onglets. Tourner la tête jusqu'à 60° dans chaque direction. Resserrer la poignée.

**AVERTISSEMENT** Ne laisser jamais aucune partie du corps s'aligner avec le foret de toupilleuse lorsque le guide à onglets est utilisé. Cela risquerait de provoquer de graves blessures.

**AVERTISSEMENT** Pour faire des coupes à l'aide du guide à onglets, tenir la pièce fermement contre le guide, le guide à onglets et la table.

(Le guide à onglets pour la table à toupie 6155 est illustré à la figure 42.)

El medidor de ingletes puede servir como un soporte adicional para fresar los extremos de piezas de trabajo pequeñas de piezas de trabajo largas.

**ADVERTENCIA** Cuando haga cortes usando la guía de ingletes debe usar la protección de seguridad.

NOTA: Asegúrese que la barrera guía y la ranura de la guía de ingletes estén paralelas antes de cortar.

Para cortar ingletes, suelte el botón que asegura la cabeza de la guía de ingletes. Gire la cabeza a 60° en cualquier dirección. Vuelva a apretar el botón.

**ADVERTENCIA** No permita que alguna parte del cuerpo esté en línea con la broca de la fresadora en ningún momento cuando se use la guía de ingletes. Hacerlo podría conducir a lesiones personales graves.

**ADVERTENCIA** Cuando haga cortes usando la guía de ingletes, sujete la pieza de trabajo firmemente contra la barrera guía, la guía de ingletes y la mesa.

(En la Figura 42 se muestra la guía de ingletes para la mesa de fresadora 6155).

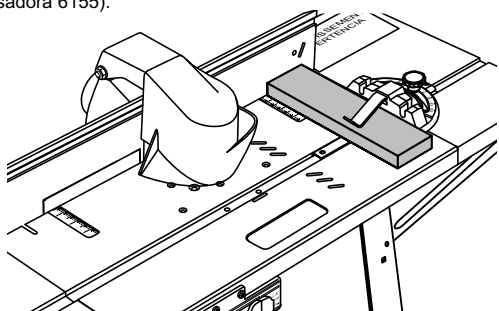
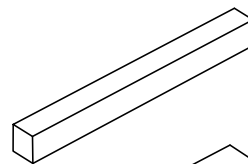


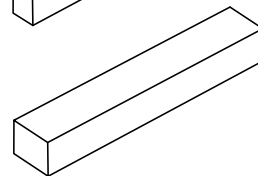
Figure 42  
Figura 42

## Utilisation des barres en queue d'aronde/de joint à rainures (pour les modèles 6155 seulement) Cómo usar las barras para ensambladuras colas de milano/ de caja (para modelo 6155 solamente)

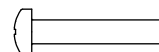
BC, noir/negro (1)



BD, noir/negro (1)



BE, zinc (2)



BF, zinc (2)



**AVERTISSEMENT** Cette opération est effectuée sans que l'écran de sécurité ni le guide ne soient en place. Rester extrêmement prudent. Ne laisser à aucun moment une partie du corps contacter le foret de la toupilleuse. Cela risquerait de provoquer de graves blessures.

Utiliser les barres en queue d'aronde/de joints à rainure pour faire des joints à rainures, des joints combinés et des queues d'aronde.

**ADVERTENCIA** Esta operación se hace sin la protección de seguridad y la barrera guía en su lugar. Sea cuidadoso en extremo. No permita que alguna parte del cuerpo haga contacto con la broca de la fresadora en ningún momento. Hacerlo podría conducir a lesiones personales graves.

Use las barras para cola de milano / caja para hacer ensambladuras de caja, ensambladuras combinadas y de cola de milano.

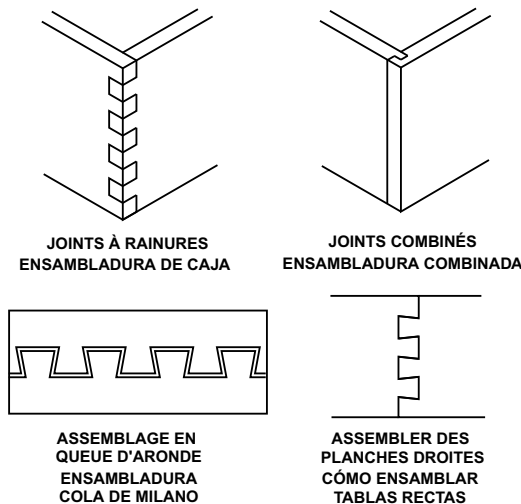


Figure 43  
Figura 43

## Montage de la barre Montaje de la barra

Utiliser la barre d'écartement (soit de 3/8 po soit d' 1/4 po) pour positionner la barre de queue d'aronde/joint à rainures. Positionner la barre de queue d'aronde/joint à rainures de façon à ce que l'espace entre la barre et le foret soit égale à la largeur du foret et de la barre (soit de 3/8 po, soit d' 1/4 po). Pour mesurer plus facilement, il suffit d'utiliser les barres d'écartement fournies à cet effet.

1. Placer la barre d'écartement sur la table à toupille avec le bord en contact avec le diamètre extérieur (3/8 po ou 1/4 po) du foret de toupilleuse. Voir la figure 44.
2. Aligner le bord de la barre pour queue d'aronde/joint à rainures au côté opposé de la barre d'écartement.
3. Fixer chaque extrémité de la barre pour queue d'aronde/joint à rainures en insérant une vis à tête hexagonale (BD) dans le trou et en la fixant avec un écrou hexagonale (BE). Voir la figure 45.

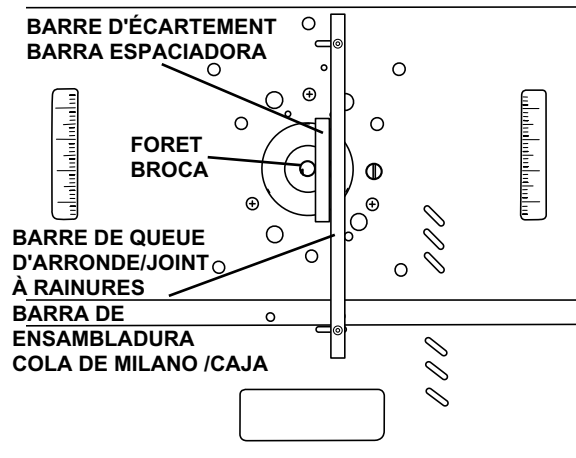


Figure 44  
Figura 44

Use barra espaciadora (ya sea de 3/8 o 1/4 de pulgada) para colocar la barra de ensambladuras cola de milano / de caja. Coloque la barra de ensambladuras cola de milano / caja de modo que el espacio entre la barra y la broca sea igual al ancho de la broca y barra (ya sea 3/8 o 1/4 de pulgada). Use las barras espaciadoras como dispositivo de medición para medir más fácilmente.

1. Coloque la barra espaciadora en la mesa de fresadora con la orilla tocando el diámetro exterior de la broca de fresadora (3/8 o 1/4 de pulgada). Consulte la Figura 44.
2. Alinee la orilla de la barra de ensambladura cola de milano / caja en el lado opuesto de la barra espaciadora.
3. Fije cada extremo de la barra de ensambladura cola de milano / caja insertando un tornillo de cabeza cónica achatada (BD) a través del orificio y asegúrela con una tuerca hexagonal (BE). Consulte la Figura 45.

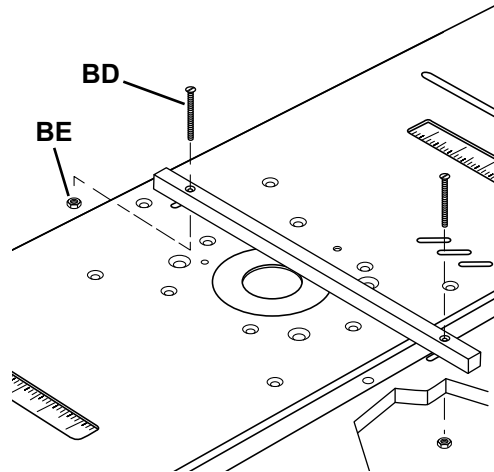


Figure 45  
Figura 45

## Faire une queue d'aronde standard joints et joints à rainures Cómo hacer ensambladuras cola de milano estándar y ensambladuras de caja

1. Assembler la barre pour queue d'aronde/joints à rainures à la table comme il est indiqué ci-dessus.
2. Choisir deux pièces de bois de la même épaisseur.
3. Régler la toupilleuse de façon à ce que la hauteur du foret soit identique à la hauteur d'une pièce de bois en position horizontale. Si vous souhaitez poncer le joint après l'assemblage, placer le couteau légèrement plus profondément. Fixer solidement le foret de toupilleuse.
4. Dégauchir les deux pièces de bois d'1/2 po et les fixer ensemble. Voir la figure 46.

1. Instale la barra de ensambladuras cola de milano / caja a la mesa como se instruyó arriba.
2. Seleccione dos piezas de madera del mismo espesor.
3. Ajuste la fresadora de modo que la altura de la broca iguale exactamente la altura de una de las piezas de madera colocada horizontalmente. Si desea lijar la ensambladura al ras después del ensamble, ajuste el cortador ligeramente más profundo. Apriete firmemente la broca de la fresadora.
4. Traslape 1/2 pulgada las dos piezas de madera y prénselas juntas. Consulte la figura 46.

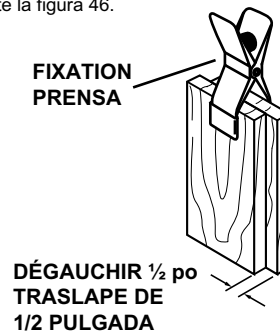


Figure 46  
Figura 46

REMARQUE : L'assemblage en queue d'aronde est utilisé pour joindre (rallonger) deux planches droites dans cette application.

5. Les tenir en position verticale sur la table à toupille à proximité du foret de toupilleuse, en s'assurant que le bas des deux pièces de bois est au même niveau que la table.

6. Une fois le guide enlevé et en utilisant un bloc de bois en guise de semelle arrière pour éviter que le talon ne se détache, faire passer les pièces dans la toupilleuse. La première coupe laisse un talon sur la pièce qui était dégauchie. Voir la figure 47.

7. Placer les pièces de bois fixées sur la barre pour queue d'aronde/joint à rainures avec la barre de coupe qui chevauche. En utilisant la première coupe comme guide, effectuer la coupe suivante.

8. Continuer à couper dans l'entière largeur des pièces de bois, en utilisant chaque coupe précédente comme guide. Voir la figure 48.

9. Assembler le joint et tester sa solidité.

REMARQUE : Déplacer la barre pour queue d'aronde/joint à rainures légèrement vers le foret pour desserrer délicatement le joint; éloigner la barre du foret pour resserrer un peu le joint.

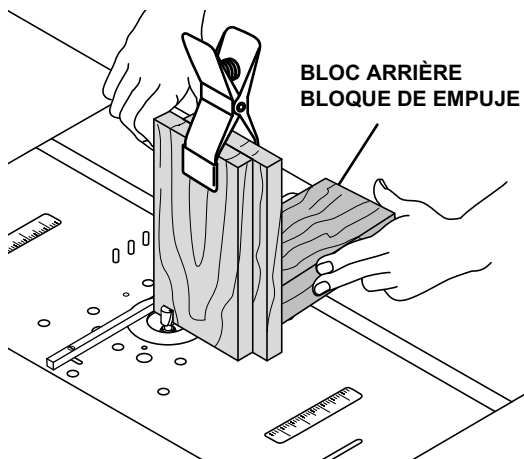


Figure 47  
Figura 47

NOTA: En esta aplicación la ensambladura cola de milano se usa para conectar (alargar) dos tablas rectas.

5. Párelas verticalmente sobre la mesa de la fresadora cerca de la broca, asegurándose que el fondo de las dos piezas de madera estén al ras con el tablero.

6. Con la barrera desmontada y usando un bloque de madera como un apoyo de empuje de modo que la cola no se desgarre, alimente las piezas a través de la fresadora. Esto hace su primer corte y deja una cola en la pieza que estaba traslapada. Consulte la Figura 47.

7. Coloque las piezas de madera prensadas sobre la barra de ensambladuras cola de milano / caja con el corte montado en la barra. Usando su primer corte como guía, haga el siguiente corte.

8. Continúe haciendo sus cortes a través del ancho completo de las piezas de madera utilizando cada corte previo como guía. Consulte la Figura 48.

9. Ensamble la unión y pruebe el ajuste.

NOTA: Mueva la barra de ensambladuras cola de milano / caja ligeramente hacia la broca para hacer la ensambladura ligeramente más floja; mueva la barra alejándola de la broca para hacer la ensambladura ligeramente más apretada.

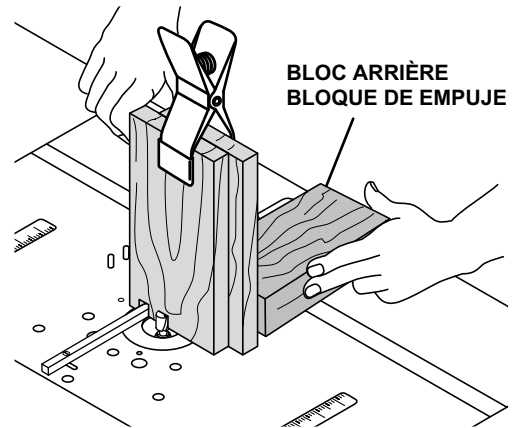


Figure 48  
Figura 48

## Faire des combinaisons d'assemblages

## Cómo hacer ensambladuras combinadas

Une combinaison d'assemblages est constituée d'une coupe enclavée et d'une coupe à feuillure.

1. Régler la toupilleuse à la même hauteur du foret de 3/8 po et le même écartement que pour les queues d'aronde et les joints à rainures.

2. Reposer une pièce de bois de 3/4 po sur la table. En l'appuyant fermement contre la barre de queue d'aronde, la faire passer dans la toupilleuse. Ce qui fait une coupe enclavée. Voir la figure 49.

Una ensambladura combinada está formada por un corte de ranura y un corte de encaje.

1. Ajuste la fresadora con la misma altura de broca de 3/8 de pulgada y el mismo espaciamiento que para las ensambladuras cola de milano o caja.

2. Coloque un pedazo de madera de 3/4 de pulgada en el tablero. Con éste ceñido contra la barra de cola de milano, aliméntelo contra la broca. Esto hace el corte de ranura. Consulte la Figura 49.

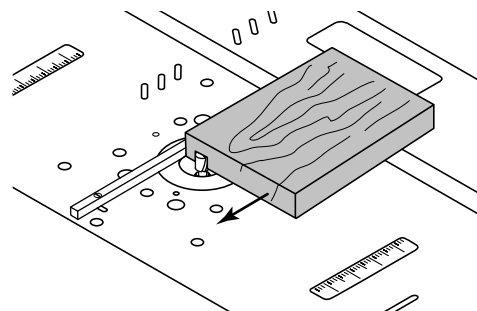


Figure 49  
Figura 49

3. Utiliser la première pièce de bois en débord pour faire la coupe suivante. Reposer la première pièce sur la table avec la coupe enclavée chevauchant la barre pour queue d'aronde. Reposer une autre pièce de bois de  $\frac{3}{4}$  po sur son extrémité à proximité de la première pièce et la faire passer dans le foret de toupilleuse. Ce qui fait une coupe à feuillure. Voir la figure 50.

4. Assembler les deux pièces de bois pour faire un joint.

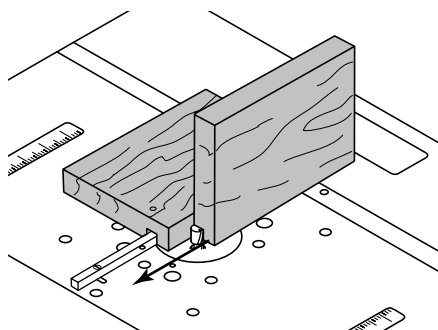


Figure 50  
Figura 50

3. Use the first piece of wood as compensation to make the next cut. Place the first piece on the table with the dovetail cut overlapping the glue bar. Place another piece of wood of  $\frac{3}{4}$  inch on its end next to the first piece and feed it into the router bit. This makes a dovetail cut. Consult Figure 50.

4. Assemble the two pieces of wood to make a joint.

## Construction d'une boîte

Lors de la construction d'une forme de boîte, pour un tiroir par exemple, il sera nécessaire de s'assurer que les quatre côtés sont à la même hauteur; à savoir, les joints sont situés précisément au même endroit sur chaque pièce de bois.

1. Utiliser un morceau de bois de récupération pour faire une coupe enclavée de  $\frac{3}{8}$  po ou  $\frac{1}{4}$  po le long de la longueur de la pièce.

2. Placer les 4 morceaux de bois servant pour les côtés de la boîte sur la pièce de bois sur laquelle la coupe enclavée doit être faite : deux dans les fentes et deux dans les espaces entre les fentes. Ce qui place le débord exactement au même endroit sur chaque morceau. Voir la figure 51.

3. Régler la toupilleuse, la barre et le foret aux mêmes paramètres que pour les assemblages en queue d'aronde/joints à rainures. (Voir la page 82.)

4. Fixer les morceaux de bois ensemble. Faire passer la toupilleuse sur chaque côté. Les côtés sont parfaitement égaux à chaque fois. Voir la figure 52.

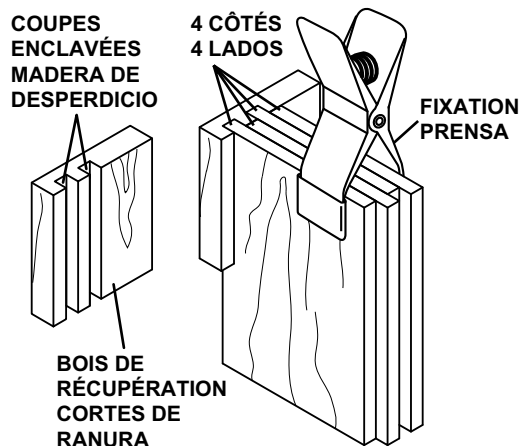


Figure 51  
Figura 51

## Construcción de caja

En la construcción de una forma de caja, para un cajón por ejemplo, deberá asegurarse que todos los cuatro lados están uniformes en altura o sea que las uniones están ubicadas en la misma localización en cada pieza de madera.

1. Use un pedazo de madera de desperdicio para hacer un corte de ranura de  $\frac{3}{8}$  o  $\frac{1}{4}$  de pulgada a lo largo de la longitud del pedazo.

2. Coloque las 4 piezas de madera que usará para los lados de la caja en el pedazo de madera en el que acaba de hacer el corte de ranura: dos en las ranuras y dos en los espacios entre las ranuras. Esto coloca los traslapes en cada pieza exactamente en la misma ubicación. Consulte la Figura 51.

3. Ajuste la fresadora, barra y broca en la misma configuración que para las ensambladuras cola de milano / caja (consulte la página 125).

4. Prende las piezas de madera juntas. Páselas por la fresadora en cada lado. Los lados salen uniformes cada vez. Consulte la Figura 52.

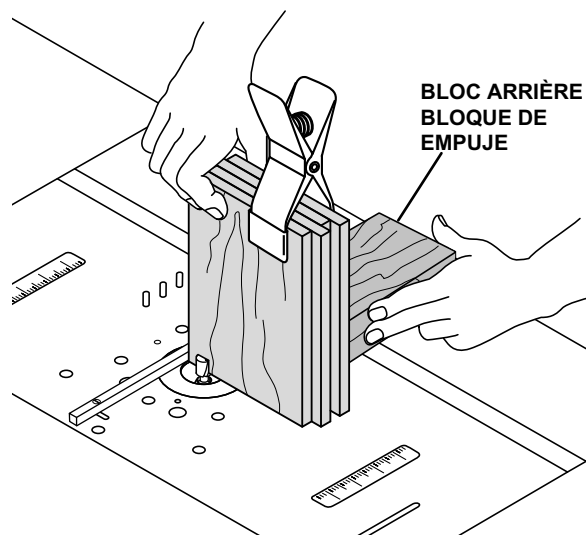


Figure 52  
Figura 52

## Utilisation des rabats à lamelles

Les rabats à lamelles (AE) servent à soutenir les pièces à travailler en les maintenant fermement pour diminuer les vibrations et les rebonds.

Insérer les rabats à lamelles dans le guide ou la table à toupie pour immobiliser les pièces travaillées.

Il est possible de varier la pression de maintien en plaçant l'extrémité courte ou longue des rabats dans le guide ou la table, ou en modifiant la distance entre l'extrémité du rabat et le guide.

Voir la figure 53.

## Cómo usar las aletas de las tablas de sujeción

Las aletas de las tablas de sujeción (AE) proporcionan soporte para las piezas de trabajo sujetando las piezas firmemente para ayudar a minimizar vibración y contragolpe.

Inserte las aletas de las tablas de sujeción en la barrera guía o en la mesa de fresadora para sujetar hacia abajo las piezas de trabajo.

La presión de sujeción se puede variar colocando extremos largos o cortos de las aletas en la barrera o la mesa, o variando la distancia del extremo de la aleta a la barrera guía. Consulte la Figura 53.

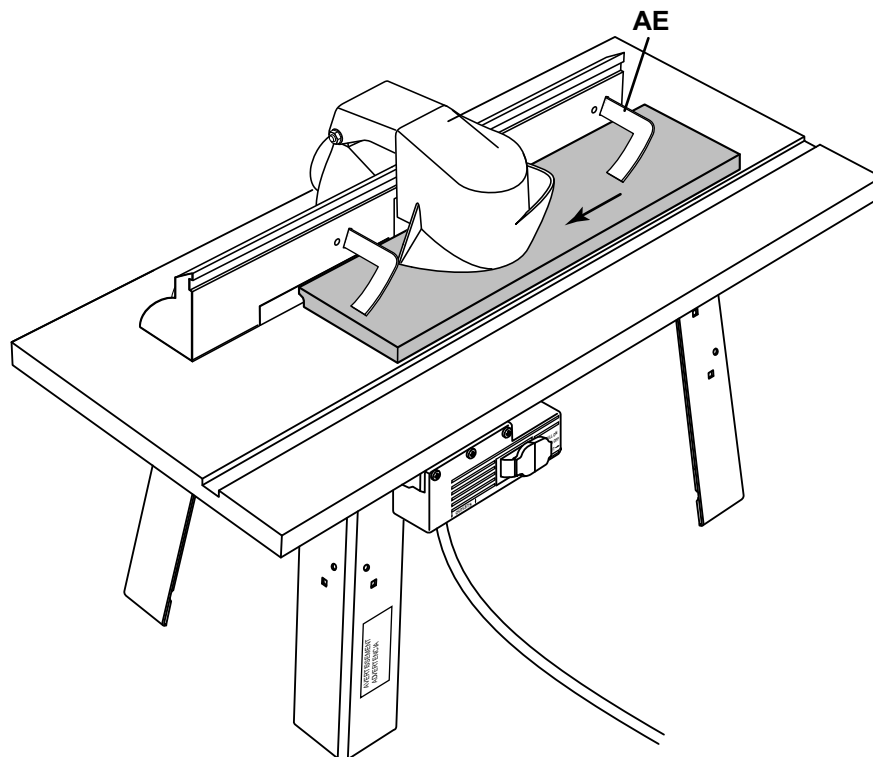
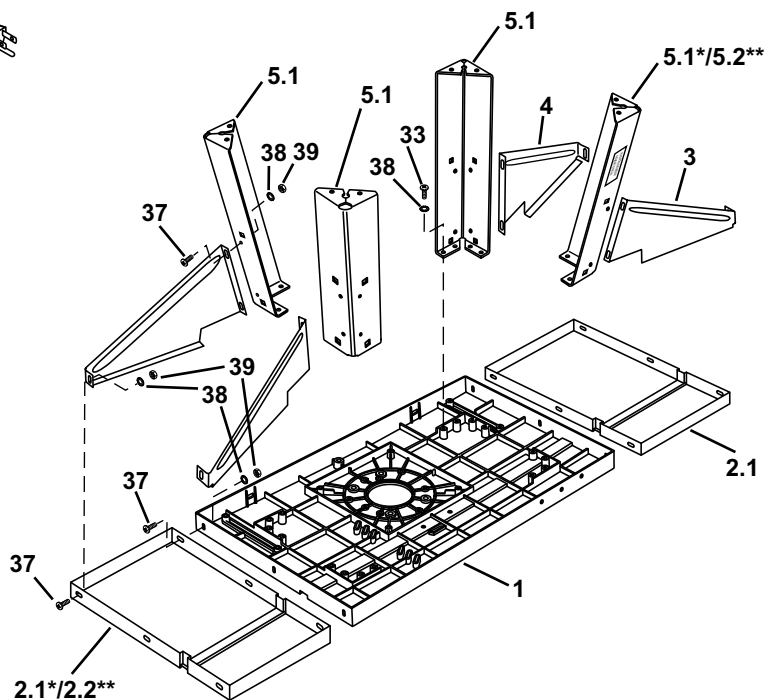
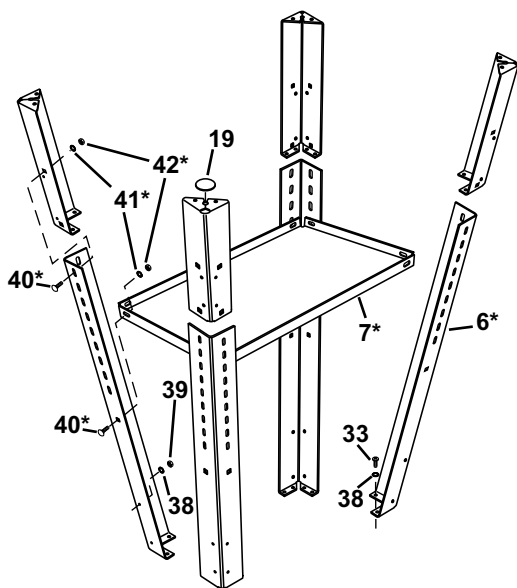
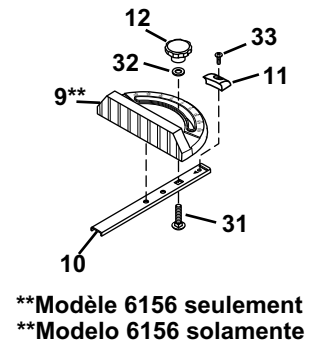
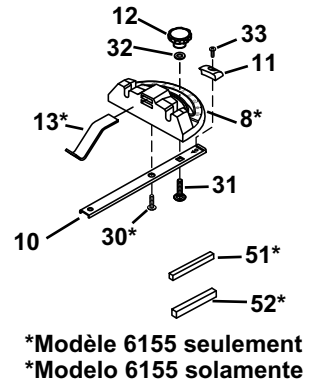
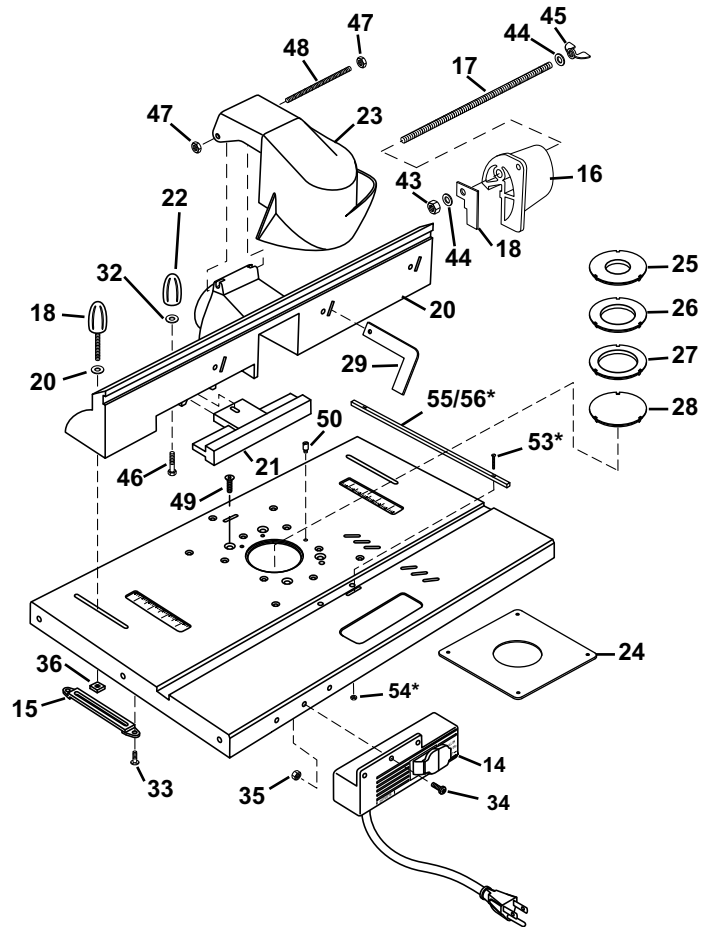


Figure 53  
Figura 53

# PIÈCES DE RECHANGE Table à toupie 6155/6156

## PIEZAS PARA REPARACIÓN Mesa de fresadora



**PIÈCES DE RECHANGE** Table à toupie 6155/6156  
**PIEZAS PARA REPARACIÓN** Mesa de fresadora 6155/6156  
**Toutes les pièces / Todas las piezas**

CLÉ N° CLAVE No.	ARTICLE ARTÍCULO	PIÈCE No PIEZA No.	DESCRIPTION DESCRIPCIÓN	QTÉ CANT.
1	A	116 420 214	Surface de la table/Tablero de la mesa	1
2.1	B-1	119 900 010	Rallonge/Extensión	1
2.2	B-2	117 020 208	Rallonge, droit/Extensión, derecha**	1
3	C	117 020 209	Support de pied, gauche/Pata soporte, izquierda	2
4	D	117 020 210	Support de pied, droit/Pata soporte, derecha	2
5.1	E-1	117 020 211	Pied, court/Pata, corta	1
5.2	E-2	119 900 012	Pied, court avant gauche/Pata, corta anverso izquierda**	1
6	F	117 020 212	Pied, long*/Pata, larga*	4
7	G	117 020 213	Plateau à outils*/Bandeja de herramientas*	1
8	H	116 420 215	Tête de guide à onglets, aluminium*/Cabeza de guía de ingletes, aluminio*	1
9	J	116 600 134	Tête de guide à onglets, plastique*/Cabeza de guía de ingletes, plástico**	1
10	K	117 040 133	Barre à onglets/Barra para ingletes	1
11	L	116 680 221	Indicateur à onglets/Indicador de inglete	1
12	M	116 670 012	Poignée du guide à onglets/Mango de la guía de ingletes	1
13	N	116 600 136	Bride de guide à onglets*/Sujetador de la guía para ingletes*	1
14	P	117 920 107	Boîte d'interrupteur/Caja del interruptor	1
15	Q	116 600 135	Dispositif de retenue/Retenedor	2
16	R	116 620 249	Semelle arrière/Apoyo de empuje	1
17	S	117 220 180	Tige de fixation/Varilla de sujeción	1
18	T	117 040 134	Plaque de fixation/Placa de sujeción	1
19	U	116 680 223	Semelle en caoutchouc*/Calza de hule*	4
20	V	116 620 247	Guide/Barrera guía	1
21	W	116 620 248	Guide d'assemblage/Barrera guía de ensambladuras	1
22	X	116 670 011	Poignée de guide d'assemblage/Mango de la barrera guía de ensambladuras	1
23	Y	116 680 216	Écran de protection/Protección de seguridad	1
24	Z	115 980 005	Plaque de base adaptatrice carrée/Placa base del adaptador cuadrado	1
25	AA	116 680 217	Insert de la table, petit trou/Inserto del tablero de la mesa, orificio pequeño	1
26	AB	116 680 218	Insert de la table, trou moyen/Inserto del tablero de la mesa, orificio mediano	1
27	AC	116 680 219	Insert de la table, grand trou/Inserto del tablero de la mesa, orificio grande	1
28	AD	116 680 220	Insert de la table, solide/Inserto del tablero de la mesa, sólido	1
29	AE	116 680 222	Rabat à lamelles/Aleta de sujeción	3
30	AF	116 700 071	Vis à tête cylindrique bombée*/Tornillo de cabeza cónica achatada (M5 x 12)*	1
31	AG	116 700 066	Boulon de carrosserie (M6 x 30)/Tornillo de coche (M6 x 30)	1
32	AH	116 730 132	Rondelle (M6)/Rondana (M6)	2
33	AJ	116 710 068	Vis à tête Phillips, auto-taradeuse/Tornillo cabeza Phillips, auto roscante (M5 x 12)	21
34	AK	116 700 078	Vis à tête cylindrique bombée/Tornillo cabeza cónica achatada (10-32 x 1/2)	3
35	AL	116 730 128	Écrou hexagonal (10-32)/Tuerca hexagonal (10-32)	3
36	AM	116 750 135	Écrou borgne (M6)/Tuerca cuadrada (M6)	2
37	AN	116 700 070	Vis à tête cylindrique bombée*/Tornillo de cabeza cónica achatada (M5 x 16)*	18
38	AP	116 730 134	Rondelle dentée (M5)/Rondana dentada (M5)	34
39	AQ	116 730 126	Écrou hexagonal (M5)/Tuerca hexagonal (M5)	18
40	AR	116 700 065	Boulon de carrosserie (M6 x 16)/Tornillo de coche (M6 x 16)*	24
41	AS	116 730 133	Rondelle dentée (M6)*/Rondana dentada (M5)*	24
42	AT	116 730 125	Écrou hexagonal (M6)*/Tuerca hexagonal (M6)*	24
43	AU	116 730 129	Écrou hexagonal (M8)/Tuerca hexagonal (M8)	1
44	AV	116 730 130	Rondelle (M8)/Rondana (M8)	2
45	AW	116 730 124	Écrou à oreilles (M8)/Tuerca mariposa (M8)	1
46	AX	116 700 068	Boulon à tête hexagonale/Tornillo cabeza hexagonal (M6 x 30)	1
47	AY	116 730 135	Écrou borgne (M6)/Tuerca tapa (M6)	2
48	AZ	117 220 182	Axe de pivotement/Eje pivote	1
49	BA	116 700 080	Vis conique à tête plate/Tornillo cabeza plana para avellanar (10-32 x 7/8)	4
50	BB	117 220 181	Axe de démarrage/Perno de inicio	1
51	BC	117 040 139	Barre d'espacement (1/4)*/Barra espaciadora (1/4)*	1
52	BD	117 040 140	Barre d'espacement (3/8)*/Barra espaciadora (3/8)*	1
53	BE	116 730 072	Vis à tête cylindrique bombée*/Tornillo cabeza cónica achatada (5-40 x 3/4)*	2
54	BF	116 730 127	Écrou hexagonal (5-40)*/Tuerca hexagonal (5-40)*	2
55	BG	117 040 136	Barre pour queue d'aronde/joint à rainures*/Barra de ensambladuras cola de milano / caja (1/4)*	1
56	BH	117 040 137	Barre pour queue d'aronde/joint à rainures*/Barra de ensambladuras cola de milano / caja (3/8)*	1

\* Modèle 6155 seulement \*\* Modèle 6156 seulement

\* Modelo 6155 solamente \*\* Modelo 6156 solamente

# PIÈCES DE RECHANGE Table à toupie 6155

## PIEZAS PARA REPARACIÓN Mesa de fresadora 6155

### Sacs de matériel/Bolsas para

CLÉ N°	ARTICLE	PIÈCE No	DESCRIPTION	QTÉ		
CLAVE No.	ARTÍCULO	PIEZA No.	DESCRIPCIÓN	CANT.		
Sac de matériel/Bolsa para accesorios 1 Pièce no/Pieza # 119 900 879	11	L	116 680 221	Indicateur à onglets/Indicador de inglete	1	
	12	M	116 670 012	Poignée du guide à onglets/Mango de la guía de ingletes	1	
	13	N	116 600 136	Bride de guide à onglets/Sujetador de la guía de ingletes	1	
	15	Q	116 600 135	Dispositif de retenue/Retenedor	2	
	19	U	116 680 223	Semelle en caoutchouc/Calza de hule	4	
	22	X	116 670 011	Poignée de guide d'assemblage/Mango de la barrera guía de ensambladuras	1	
	25	AA	116 680 217	Insert de la table, petit trou/Inserto del tablero de la mesa, orificio pequeño	1	
	26	AB	116 680 218	Insert de la table, trou moyen/Inserto del tablero de la mesa, orificio mediano	1	
	27	AC	116 680 219	Insert de la table, grand trou/Inserto del tablero de la mesa, orificio grande	1	
	28	AD	116 680 220	Insert de la table, solide/Inserto del tablero de la mesa, sólido	1	
Sac de matériel/Bolsa para accesorios 2 Pièce no/Pieza # 119 900 864	29	AE	116 680 222	Rabat à lamelles/Aleta de sujeción	3	
	Sac de matériel/Bolsa para accesorios 3 Pièce no/Pieza # 119 900 865	33	AJ	116 710 068	Vis à tête Phillips, auto-taradeuse/Tornillo cabeza Phillips, auto roscante (M5 x 12)	21
		34	AK	116 700 078	Vis à tête cylindrique bombée/Tornillo cabeza cónica achatada (10-32 x ½)	3
		35	AL	116 750 128	Écrou hexagonal (10-32)/Tuerca hexagonal (10-32)	3
		36	AM	116 730 135	Écrou borgne (M6)/Tuerca cuadrada (M6)	2
		38	AP	116 730 134	Rondelle dentée (M5)/Rondana dentada (M5)	34
		39	AQ	116 730 126	Écrou hexagonal (M5)/Tuerca hexagonal (M5)	18
		18	T	117 040 134	Plaque de fixation/Placa de sujeción	1
	Sac de matériel/Bolsa para accesorios 4 Pièce no/Pieza # 119 900 866	31	AG	116 700 066	Boulon de carrosserie/Tornillo de coche (M6 x 30)	1
		32	AH	116 730 132	Rondelle (M6)/Rondana (M6)	2
37		AN	116 700 070	Vis à tête cylindrique bombée*/Tornillo de cabeza cónica achatada (M5 x 16)	18	
43		SU	116 730 129	Écrou hexagonal (M8)/Tuerca hexagonal (M8)	1	
44		AV	116 730 130	Rondelle (M8)/Rondana (M8)	2	
45		AW	116 730 124	Écrou à oreilles (M8)/Tuerca mariposa (M8)	1	
46		AX	116 700 068	Boulon à tête hexagonale/Tornillo cabeza hexagonal (M6 x 30)	1	
47		AY	116 730 135	Écrou borgne (M6)/Tuerca tapa (M6)	2	
48		AZ	117 220 182	Axe de pivotement/Eje pivote	1	
49		BA	116 700 080	Vis conique à tête plate/Tornillo cabeza plana para avellanar (10-32 x 7/8)	4	
50	BB	117 220 181	Axe de démarrage/Perno de inicio	1		
Sac de matériel/Bolsa para accesorios 4 Pièce no/Pieza # 119 900 866	30	AF	116 700 071	Vis à tête cylindrique bombée/Tornillo de cabeza cónica achatada (M5 x 12)	1	
	40	AR	116 700 065	Boulon de carrosserie/Tornillo de coche (M6 x 16)	24	
	41	AS	116 730 133	Rondelle dentée (M6)/Rondana dentada (M6)	24	
	42	AT	116 730 125	Vis à tête cylindrique bombée/Tornillo cabeza cónica achatada (5-40 x 3/4)	24	
	51	BC	117 040 139	Barre d'espacement, ¼ po/Barra espaciadora ¼"	1	
	52	BD	117 040 140	Barre d'espacement, 3/8 po/Barra espaciadora 3/8"	1	
	53	BE	116 730 072	Écrou hexagonal (M6)/Tuerca hexagonal (M6)	2	
	54	BF	116 730 127	Écrou hexagonal (5-40)/Tuerca hexagonal (5-40)	2	



# PIÈCES DE RECHANGE Table à toupie 6156

## PIEZAS PARA REPARACIÓN Mesa de fresadora 6156

### Sacs de matériel/Bolsas para

CLÉ N°	ARTICLE	PIÈCE No	DESCRIPTION	QTÉ	
CLAVE No.	ARTÍCULO	PIEZA No.	DESCRIPCIÓN	CANT.	
Sac de matériel/Bolsa para accesorios 1 Pièce no/Pieza # 119 900	11	L	116 680 221	Indicateur à onglets/Indicador de inglete	1
	12	M	116 670 012	Poignée du guide à onglets/Mango de la guía de ingletes	1
	15	Q	116 600 135	Dispositif de retenue/Retenedor	2
	22	X	116 670 011	Poignée de guide d'assemblage/Mango de la barrera guía de ensambladuras	1
	25	AA	116 680 217	Insert de la table, petit trou/Inserto del tablero de la mesa, orificio pequeño	1
	26	AB	116 680 218	Insert de la table, trou moyen/Inserto del tablero de la mesa, orificio mediano	1
	27	AC	116 680 219	Insert de la table, grand trou/Inserto del tablero de la mesa, orificio grande	1
	28	AD	116 680 220	Insert de la table, solide/Inserto del tablero de la mesa, sólido	1
	29	AE	116 680 222	Rabat à lamelles/Aleta de sujeción	3
Sac de matériel/Bolsa para accesorios 2 Pièce no/Pieza # 119 900 864	33	AJ	116 710 068	Vis à tête Phillips, auto-taradeuse/Tornillo cabeza Phillips, auto roscante (M5 x 12)	21
	34	AK	116 700 078	Vis à tête cylindrique bombée/Tornillo cabeza cónica achatada (10-32 x ½)	3
	35	AL	116 730 128	Écrou hexagonal/Tuerca hexagonal (10-32)	3
	36	AM	116 750 135	Écrou borgne (M6)/Tuerca cuadrada (M6)	2
	38	AP	116 730 134	Rondelle dentée (M5)/Rondana dentada (M5)	34
	39	AQ	116 730 126	Écrou hexagonal (M5)/Tuerca hexagonal (M5)	18
	Sac de matériel/Bolsa para accesorios 3 Pièce no/Pieza # 119 900 865	18	T	117 040 134	Plaque de fixation/Placa de sujeción
31		AG	116 700 066	Boulon de carrosserie/Tornillo de coche (M6 x 30)	1
32		AH	116 730 132	Rondelle (M6)/Rondana (M6)	2
37		AN	116 700 070	Vis à tête cylindrique bombée/Tornillo de cabeza cónica achatada (M5 x 16)	18
43		SU	116 730 129	Écrou hexagonal (M8)/Tuerca hexagonal (M8)	1
44		AV	116 730 130	Rondelle (M8)/Rondana (M8)	2
45		AW	116 730 124	Écrou à oreilles (M8)/Tuerca mariposa (M8)	1
46		AX	116 700 068	Boulon à tête hexagonale/Tornillo cabeza hexagonal (M6 x 30)	1
47		AY	116 730 135	Écrou borgne (M6)/Tuerca tapa (M6)	2
48		AZ	117 220 182	Axe de pivotement/Eje pivote	1
49		BA	116 700 080	Vis conique à tête plate/Tornillo cabeza plana para avellanar (10-32 x 7/8)	4
50		BB	117 220 181	Axe de démarrage/Perno de inicio	1

# NOTES / NOTES / NOTAS

---

**wolcraft**<sup>®</sup>

OWNER'S  
MANUAL  
MODEL NO.  
6155/6156

MANUEL  
D'UTILISATION  
MODÈLE N<sup>o</sup>.  
6155/6156

MANUAL DEL  
PROPIETARIO  
MODELO NO.  
6155/6156

116 310 340, 08/03

wolcraft, Inc., Addison, IL 60101 USA

To register your product, please visit our website at:  
or complete the form below and mail or fax to:

**www.wolfcraft.com**  
wolfcraft, Inc.  
333 Swift Road  
Addison, IL 60101 USA  
630-773-4805 (fax)  
630-773-4777 (phone)

PRODUCT REGISTRATION CARD			
CARTE DE GARANTIE DU PRODUIT/TARJETA DE PRODUCTO DE LA GARANTÍA			
Please complete the information and return within 30 days of purchase. Information marked * is required for warranty registration. Veuillez remplir la carte de garantie ci-jointe et la retourner dans les 30 jours suivant la date d'achat. Il est nécessaire de donner les renseignements indiqués * pour l'enregistrement de la garantie. Sirvase completar la información y devolver dentro de los 30 días a partir de la compra. La información marcada * se requiere para el registro de la garantía.			
<b>CONFIDENTIALITY GUARANTEE / GARANTIE DE CONFIDENTIALITÉ / GARANTÍA DE CONFIDENCIALIDAD</b> <i>Your information will be kept confidential and will not be shared with or sold to any other company.</i> <i>Vos renseignements personnels resteront confidentiels et ne seront pas diffusés ou vendus à d'autres compagnies.</i> <i>Su información de mantendrá confidencial y no se compartirá con o vender a otra compañía.</i>			
<b>NAME *</b> NOM/NOMBRE	_____	<b>Sex</b> Sex/Sexo	<b>M</b> <b>F</b>
<b>STREET ADDRESS *</b> ADRESSE/DIRECCIÓN	_____		
<b>CITY *</b> VILLE/CIUDAD	<b>STATE *</b> ÉTAT/ESTADO	<b>ZIP *</b> ZIP/ZONA POSTAL	
<b>PHONE *</b> TÉLÉPHONE/TELÉFONO	<b>EMAIL</b> COURRIEL/EMAIL		
I want to receive information on wolfcraft products via email. Je souhaite recevoir de l'information sur les produits Wolfcraft par courrier électronique. Deseo recibir información sobre los productos wolfcraft por email.			
		<input type="checkbox"/> Yes Oui/Si	<input type="checkbox"/> No Non/No
<b>What is your preferred language?</b> English Français Español Other _____ Dans quelle langue préférez-vous communiquer? / ¿Cuál es su idioma preferido?			
<b>MODEL NUMBER (from package) *</b> MODÈLE NUMÉRO (du packet) / MODELO NÚMERO (del paquete)			
<b>AGE</b> ÂGE / EDAD	<b>ANNUAL INCOME</b> REVENUS ANNUELS / INGRESO ANUAL	<b>SKILL LEVEL</b> NIVEAU DE QUALIFICATION / NIVEL DE DESTREZA	
<input type="checkbox"/> < 21	<input type="checkbox"/> < \$30,000	<input type="checkbox"/> Beginner/Débutant/Principiante	
<input type="checkbox"/> 21-35	<input type="checkbox"/> \$30-\$75,000	<input type="checkbox"/> Intermediate/Intermédiaire/Intermedio	
<input type="checkbox"/> 36-45	<input type="checkbox"/> > \$75,000	<input type="checkbox"/> Expert/Spécialiste/Experto	
<input type="checkbox"/> 46-55			
<input type="checkbox"/> 56-65			
<input type="checkbox"/> > 65			
<b>Date Purchased: *</b> Date d'achat/Fecha de compra	<b>Day *</b> Jour/Día	<b>Month *</b> Mois/Mes	<b>Year *</b> Année/Año
_____	_____	_____	_____
<b>Store Name *</b> Nom de magasin/Nombre de la tienda	<b>Store Location *</b> Emplacement du magasin/Ubicación de la tienda		
_____	_____		
<b>Retail Price Paid \$</b> Prix de détail payé/Precio al público pagado			
_____			
<b>Why was this product purchased?</b> <input type="checkbox"/> Professional Use <input type="checkbox"/> Personal Use <input type="checkbox"/> Gift Pour quelles raisons le produit a-t-il été acheté? Usage professionnel/Usos profesional Usage personnel/Usos personal Cadeau/Regalo ¿Por qué se compró el producto?			
Other: _____ Autre/Otro			
<b>Why did you select this product? (You may mark more than one reason.)</b> Pour quelles raisons avez-vous choisi ce produit? (Vous pouvez indiquer plusieurs raisons.) ¿Por qué seleccionó este producto? (Puede marcar más de una razón.)			
<input type="checkbox"/> Appearance Aspect Apariencia	<input type="checkbox"/> Brand Name Nom de la marque Marca	<input type="checkbox"/> Store Recommendation Recommandation du magasin Recomendación de la tienda	<input type="checkbox"/> Own Other wolfcraft Products Possédez-vous d'autres produits wolfcraft Tengo otros productos wolfcraft
			<input type="checkbox"/> Price Prix Precio
<b>Special Features (which ones?):</b> Caractéristiques spéciales (lesquelles?) Características especiales (¿Cuáles?)			
_____			
Other: _____ Autre/Otro			
<b>For what specific projects do you intend to use this product?</b> Pour quel projet spécifique avez-vous l'intention d'utiliser ce produit? ¿Para qué proyectos específicos intenta usar este producto?			
_____			
<b>How would you rate our assembly instructions?</b> Comment évaluez-vous nos instructions d'assemblage? ¿Cómo calificaría nuestras instrucciones de montaje?			
<input type="checkbox"/> Excellent Excellentes Excelentes	<input type="checkbox"/> Good Bonnes Buenas	<input type="checkbox"/> Fair Passables Aceptables	<input type="checkbox"/> Poor Médiocres Insuficientes

**wolfcraft**<sup>®</sup>

OWNER'S  
MANUAL  
MODEL NO.  
6155/6156

MANUEL  
D'UTILISATION  
MODÈLE N<sup>o</sup>.  
6155/6156

MANUAL DEL  
PROPIETARIO  
MODELO NO.  
6155/6156

116 310 340, 08/03

wolfcraft, Inc., Addison, IL 60101 USA

## Free Manuals Download Website

<http://myh66.com>

<http://usermanuals.us>

<http://www.somanuals.com>

<http://www.4manuals.cc>

<http://www.manual-lib.com>

<http://www.404manual.com>

<http://www.luxmanual.com>

<http://aubethermostatmanual.com>

Golf course search by state

<http://golfingnear.com>

Email search by domain

<http://emailbydomain.com>

Auto manuals search

<http://auto.somanuals.com>

TV manuals search

<http://tv.somanuals.com>