

Save this manual
for future reference.

Gardez ce manuel pour
référence ultérieure.

Conserve este manual
para referencia futura.

wolcraft[®]

630-773-4777
www.wolcraft.com

**OWNER'S
MANUAL**

**MANUEL
D'UTILISATION**

**MANUAL DEL
PROPIETARIO**

MODEL NO. 6157
MODÈLE N° 6157
MODELO NO. 6157

Pages 25-47
Français/Español

CAUTION:

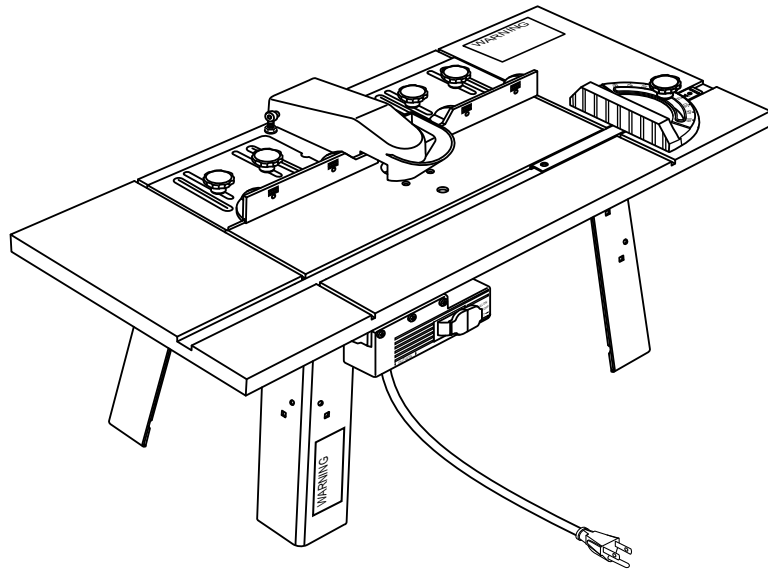
Before using this product,
read this manual entirely
and follow all safety rules
and operating instructions.

MISE EN GARDE:

Avant d'utiliser ce produit,
lire ce manuel entièrement
et respecter toutes les consignes
de sécurité et le mode d'emploi.

PRECAUCIÓN:

Antes de utilizar este producto,
lea este manual en su totalidad
y siga todas las reglas de
seguridad e instrucciones de
operación.



6157

Power tools and some accessories NOT included.
Les outils motorisés et certains accessoires NE sont PAS inclus.
NO se incluyen las herramientas eléctricas y ciertos accesorios.

wolcraft[®]

**ROUTER TABLE
TABLE À TOUPIE
MESA PARA FRESADORA**

- | | | |
|------------------------------|--------------------------------|-------------------------------------|
| • Safety instructions | • Consignes de sécurité | • Instrucciones de seguridad |
| • Assembly | • Assemblage | • Armado |
| • Operation | • Utilisaton | • Operación |
| • Repair parts | • Pièces de rechange | • Piezas para reparación |

TABLE OF CONTENTS

WARRANTY.....	2	MOUNTING THE ROUTER.....	12
SAFETY INSTRUCTIONS	3	SECURING THE ROUTER TABLE.....	14
UNPACKING AND CHECKING CONTENTS	4	SWITCH BOX.....	14
INTRODUCTION	4	OPERATION.....	18
FEATURES AND SPECIFICATIONS.....	5	OPTIONS/ACCESSORIES.....	21
PACKAGE CONTENTS & HARDWARE LEGEND.....	6	REPAIR PARTS.....	23
ASSEMBLY	9	FRANÇAIS/ESPAÑOL.....	25
		PRODUCT REGISTRATION CARD.....	51

WARRANTY

LIMITED LIFETIME WARRANTY

WARRANTY

This **wolfcraft**® Router Table is warranted against defects in material and workmanship for the life of the product. The obligation of the manufacturer under this warranty is limited to replacement or repair, at its option, of the product or of any defective portions thereof. This warranty extends to the first purchaser only and does not apply to conditions resulting from abuse, misuse, alteration, negligence, improper maintenance, or normal wear and tear. Unauthorized repairs or tampering with the product will void this warranty in its entirety.

If you find a defect in material or workmanship, contact the **wolfcraft**® Customer Service Department by e-mail at customer.service@woa.wolfcraft.com, by telephone at 630.773.4777, by fax at 630.773.4805, or through the mail at 333 Swift Road, Addison, Illinois 60101. You will be given instructions on how to resolve the problem or, if the problem cannot be resolved, on how to return the product to the manufacturer for repair or replacement.

LIMITATION ON LIABILITY

Manufacturer shall not be liable for loss or damage of any kind including incidental or consequential damages, resulting either directly or indirectly from the use of this product.

Some states do not allow the exclusion or limitation of incidental or consequential damages so the above limitation or exclusion may not apply to you. User assumes all risk or liability in connection with installation or use of this product.

This warranty gives you specific legal rights and you may also have other rights which vary from state to state.

THE EXPRESS WARRANTY HEREIN IS IN LIEU OF ANY AND ALL OTHER WARRANTIES, EXPRESSED OR IMPLIED. NO IMPLIED WARRANTY OF MERCHANTABILITY IS MADE AND THERE ARE NO WARRANTIES WHICH EXTEND BEYOND THE DESCRIPTION ON THE FACE HEREOF.

WARRANTY CARD

Please complete the information on the attached warranty card and mail it to **wolfcraft**® within 30 days of purchase, **or complete the card on-line at www.wolfcraft.com**. Failure to submit this card will not adversely affect your warranty rights if you can otherwise show in a reasonable way that you were the original purchaser of the product. Nevertheless, sending this card is a convenient way to establish in our files the date of your purchase and help us better meet your needs in the future.

SAFETY INSTRUCTIONS

Safety items throughout this manual are labeled with WARNING and CAUTION.



WARNING

Means that failure to follow this safety statement may result in extensive product damage, serious personal injury, or death.



CAUTION

Means that failure to follow this safety statement may result in minor or moderate personal injury, or property or equipment damage.



WARNING

READ ALL SAFETY INSTRUCTIONS BEFORE USING

Read the owner's manual carefully. Learn its applications and limitations as well as the specific potential hazards.

GROUND ALL TOOLS (UNLESS DOUBLE INSULATED)

If tool is equipped with an approved 3-conductor cord and a 3-prong grounding type plug to fit the proper grounding type receptacle. The green conductor in the cord is the grounding wire. NEVER connect the green wire to a live terminal.

KEEP AWAY FROM HAZARDOUS MATERIALS

Normal sparking of the motor could ignite fumes, flammable liquids, or combustibles.

PROTECT YOURSELF AGAINST PERSONAL INJURY

DO NOT operate any tool while under the influence of drugs, alcohol, or any medication.

DRESS FOR SAFETY

Do not wear loose clothing, gloves, neckties, or jewelry, as these items can get caught and draw you into moving parts. ALWAYS wear non-slip footwear. Tie back long hair. Roll long sleeves above the elbow.

WEAR SAFETY GOGGLES

Wear safety goggles (must comply with ANSI Z87.1) at ALL times. Also, use face or dust mask if cutting operation is dusty, and use ear protectors (plugs or muffs) during extended periods of operation.

AVOID ACCIDENTAL STARTING

Make sure all switches are in "OFF" position before plugging in.

NEVER STAND ON TOOL

Serious injury could occur if the tool is tipped or if the cutting tool is accidentally contacted. DO NOT store materials above or near the tool making it necessary to stand on the tool to reach them.

PROTECT AND USE SUITABLE CORDS

NEVER carry tool by cord or yank it to disconnect from receptacle. Protect cord from heat, oil and sharp edges. For outdoor operation, use extension cords intended for outdoor use.

AVOID A DANGEROUS ENVIRONMENT

DO NOT use power tools in damp or wet locations or expose them to rain. Keep work area well lit and provide an adequate surrounding work space.

CHECK DAMAGED PARTS

Before further use of the tool, a guard or other part that is damaged should be carefully checked to ensure that it will operate properly and perform its intended function. Check for alignment of moving parts, binding of moving parts, breakage of parts, mounting and any other conditions that may affect its operation. A guard or other part that is damaged should be properly repaired or replaced.

CHECK DIRECTION OF FEED

Feed work into a blade or cutter against the direction of rotation of the blade or cutter only.

NEVER LEAVE TOOL RUNNING UNATTENDED

Turn power off. Do not leave tool until it comes to a complete stop.



WARNING CONTINUED

SECURE ROUTER TABLE

DO NOT attempt to use your router table unless it is fastened firmly to your workbench or floor.

KEEP GUARDS IN PLACE

Be sure guards are in working order, properly adjusted, and aligned.

DISCONNECT TOOLS BEFORE SERVICING

When changing, bits, make sure router is unplugged.

KEEP HANDS AWAY FROM CUTTING AREA



CAUTION

STORE PROPERLY

Do not store router table outdoors or in a damp location.

MAINTAIN TOOLS WITH CARE

Keep tools sharp and clean for best and safest performance. Follow instructions for lubricating and changing accessories.

KEEP WORK AREA CLEAN

ALWAYS keep your work area clean, uncluttered, and well lit. DO NOT work on or place router table legs on floor surfaces that are slippery from sawdust, oil, water, or wax.

USE RECOMMENDED ACCESSORIES

Consult this manual for recommended accessories. Follow the instructions that accompany the accessories. The use of improper accessories may cause hazards.

DO NOT FORCE THE TOOL

Do not force tool or attachment to do a job for which it was not designed. It will do the job better and more safely at the rate for which it was designed.

REMOVE ADJUSTING KEYS AND WRENCHES

Form the habit of checking to see that keys and adjusting wrenches are removed from the tool before turning it on.

USE CLAMPS OR A VISE TO HOLD WORK WHEN PRACTICAL

Using clamps or a vise to hold work is safer than using your hand. It also frees both hands to operate the tool.

ENSURE SAFETY OF OTHERS

Keep visitors and children a safe distance away from the work area, especially when operating a power tool. Visitors should wear the same safety equipment as the operator.

DO NOT OVERREACH

Keep proper footing and balance at all times.

SAVE THESE INSTRUCTIONS

UNPACKING AND CHECKING CONTENTS

Separate all parts from packaging materials and check each item against the package contents listed in this manual, found on page 6.

Your **wolcraft**® Router Table is shipped complete in one carton. Make sure all items are accounted for before discarding any of the packing materials.

INTRODUCTION

The **wolcraft**® Router Table is designed to provide an economical means to extend the capabilities of your router.

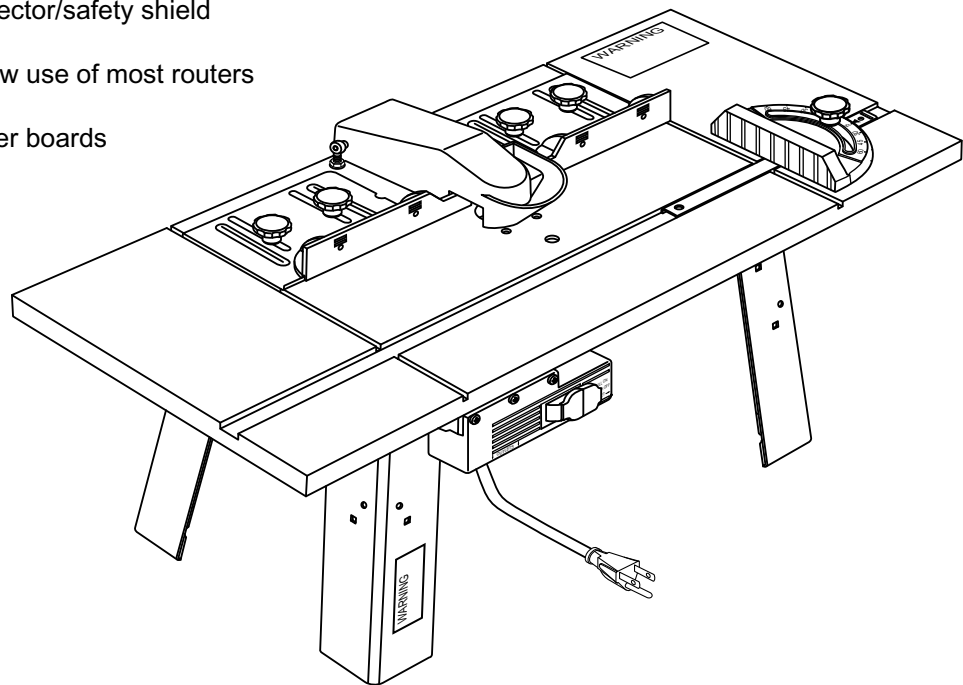
We are certain you will find the **wolcraft**® Router Table a valuable addition to your workshop.

FEATURES AND SPECIFICATIONS

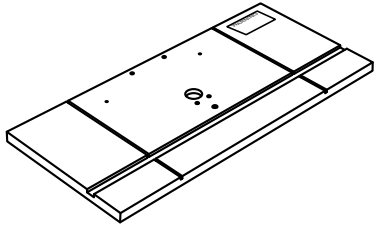


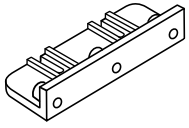
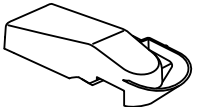
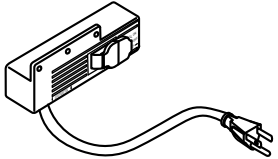
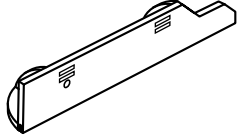
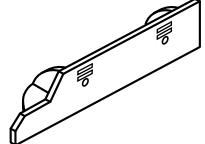
Table weight.....	23 lbs.
Table work space.....	446 square inches
Dimensions.....	14"W x 31-1/2"L x 14-1/2"H

6157 Router Table features include:

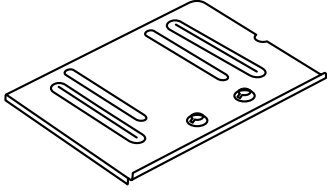
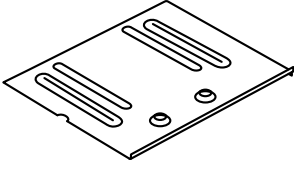
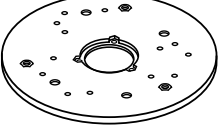
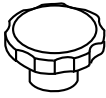
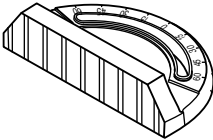
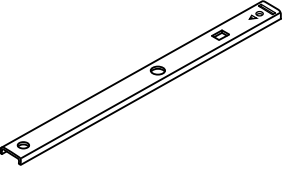
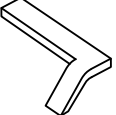
- Front-mounted, keyed power switch with two 120-volt receptacles and circuit breaker protection
- Bottom-accessible outlets accept router and shop vacuum plugs to turn both on at the same time
- Laminated MDF tabletop, which provides a smooth, clean routing surface and a higher degree of stability while reducing vibration
- Tabletop measuring guides include scales and large miter guide for quick and accurate straight or 0 to 60° angle cuts
- Self-squaring, split fence for precision applications, capable of being converted to a unitized, straight fence
- Universal router adapting plate, fits most routers
- Combination dust collector/safety shield
- Full-size, 14" legs allow use of most routers
- Fence-mounted feather boards



PACKAGE CONTENTS & HARDWARE LEGEND —

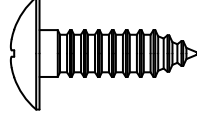
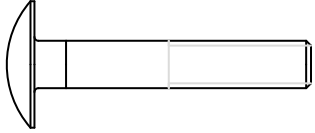
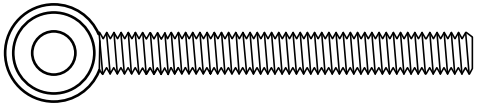
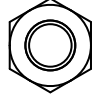
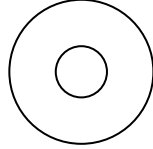
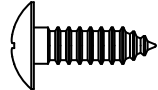
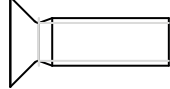
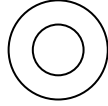
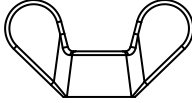
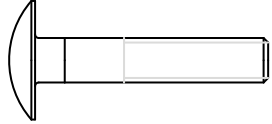
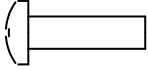
ITEM	DESCRIPTION	QTY.	
A	Tabletop	1	<p>A</p> 
B-1	Leg	3	<p>B-1</p> 
B-2	Leg, front left	1	<p>B-2</p> 
C	Switch box bracket	1	<p>C</p> 
D	Safety shield	1	<p>D</p> 
E	Switch box	1	<p>E</p> 
F	Fence, left	1	<p>F</p> 
G	Fence, right	1	<p>G</p> 

PACKAGE CONTENTS & HARDWARE LEGEND (Continued) ---

ITEM	DESCRIPTION	QTY.		
H	Fence base, left	1	H	
J	Fence base, right	1	J	
K	Adaptor base plate	1	K	
L	Knob	5	L	
M	Miter guide head	1	M	
N	Miter bar	1	N	
P	Feather flap	2	P	

PACKAGE CONTENTS & HARDWARE LEGEND (Continued) ---

NOTE: Hardware parts shown (screws, nuts, washers) are actual size.

ITEM	DESCRIPTION	QTY.		
Q	Pan head screw, zinc (M6x20)	18	Q	
R	Carriage bolt, zinc (M6x35)	4	R	
S	Eyebolt (M6x55)	2	S	
T	Hex nut (M6)	4	T	
U	Washer (M6)	9	U	
V	Pan head screw, black (M5x20)	3	V	
W	Flat countersink bolt (M6x20)	4	W	
X	Washer (M6)	4	X	
Y	Wing nut (M6)	4	Y	
Z	Carriage bolt, black (M6x30)	1	Z	
AA	Machine screw (10-32x11/16)	3	AA	

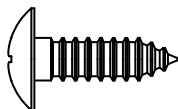
ASSEMBLY

Tools Required

- #2 and #3 Phillips Screwdrivers
- Hammer
- Adjustable Wrench

Assemble Stand

Q, zinc (16)



1. Place tabletop (A) upside-down on a flat surface. Take care not to scratch the tabletop surface.

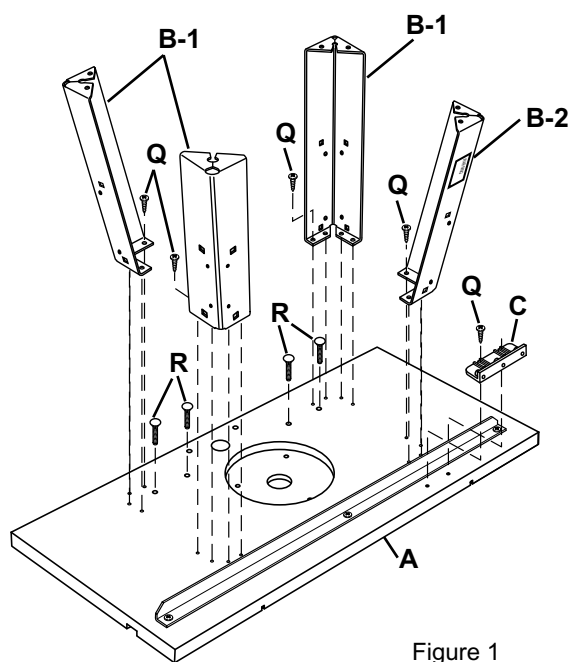
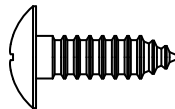


Figure 1

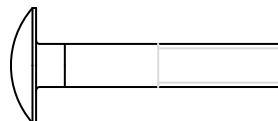
2. Attach legs (B-1 and B-2) securely to table top with 16 pan head screws (Q). Use a #3 Phillips screwdriver to keep from stripping the screw heads. NOTE: Leg (B-2) is mounted on the front left position of the table top with the safety sticker facing the front. See Figure 1.

Attach Switch Box and Safety Shield

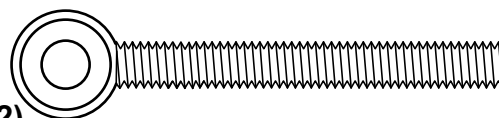
Q, zinc (2)



R, zinc (4)



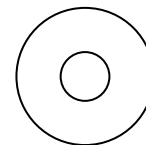
S (2)



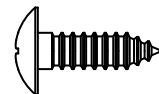
T (4)



U (4)



V, black (3)



1. Attach switch box bracket (C) to tabletop with 2 pan head screws (Q).
2. Place table assembly on its side.
3. Use a hammer to tap 4 carriage bolts (R) until seated against the bottom of the tabletop. See Figure 1.
4. Turn table assembly right-side up.
5. Thread a hex nut (T) onto each eyebolt (S) so there is approximately 1/4" of clearance between head of eyebolt and nut. See Figure 2.

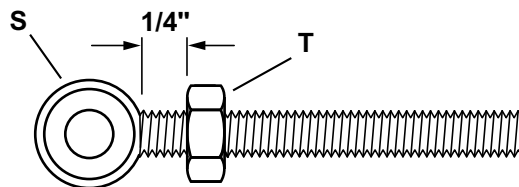


Figure 2

- Place eyebolt/nut assemblies onto hinge of safety shield (**D**). See Figure 3.

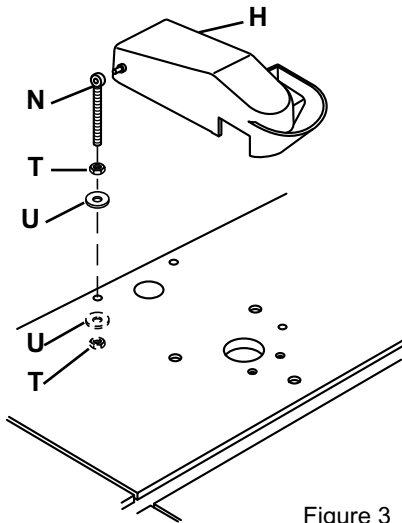


Figure 3

- Insert safety shield assembly through 2 washers (**U**) and holes in table top.
- Before securing safety shield assembly in place, pivot the safety shield and make sure the safety shield rear does not come in contact with table top. Use previously installed nuts to raise/lower safety shield assembly as necessary.
- Secure safety shield assembly in place with 2 washers (**U**) and 2 hex nuts (**T**). See Figure 3.

- Use a #2 Phillips screwdriver to attach switch box (**E**) to switch box bracket (**C**) with 3 pan head screws (**V**). See Figure 4.

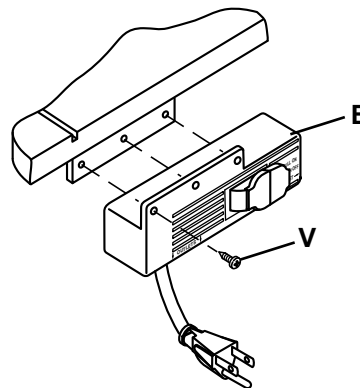
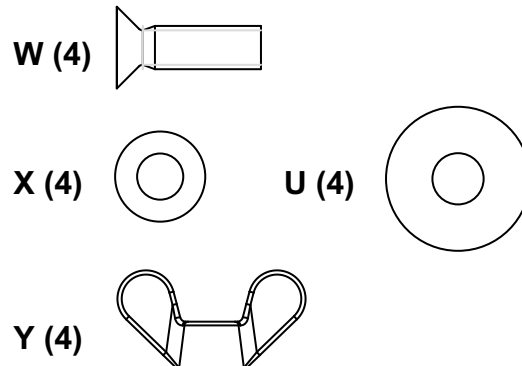


Figure 4

Assemble Fence and Miter Guide



- Attach left fence (**F**) to left fence base (**H**) using 2 flat countersink bolts, (**W**), 2 washers (**X**), and 2 wing nuts (**Y**). Repeat for right fence (**G**) and right fence base (**J**). See Figure 5.

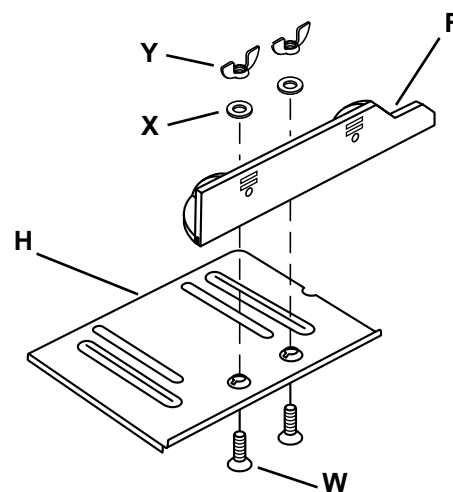


Figure 5

2. Attach fence assemblies to table with washers (**U**) and knobs (**L**). Make sure that the turned down flange fits snugly against inside wall of provided groove in tabletop. See Figure 6.

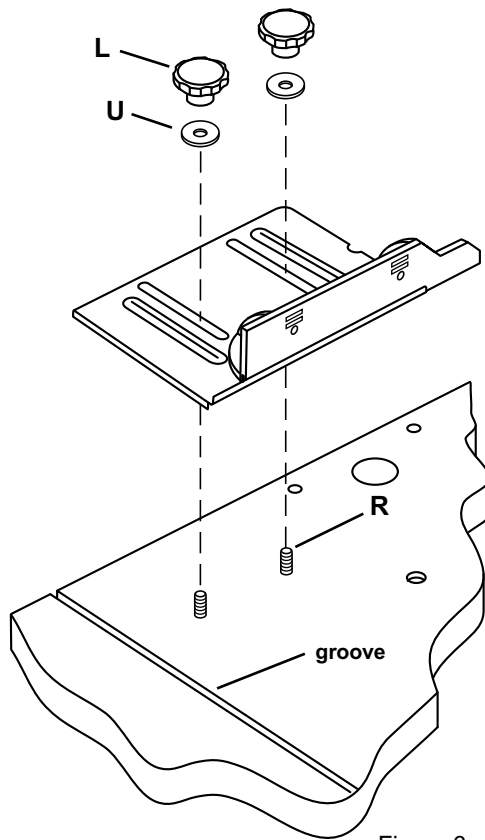


Figure 6

3. Assemble miter guide head (**M**) and miter bar (**N**) with carriage bolt (**Z**), washer (**U**), and knob (**L**). See Figure 7.

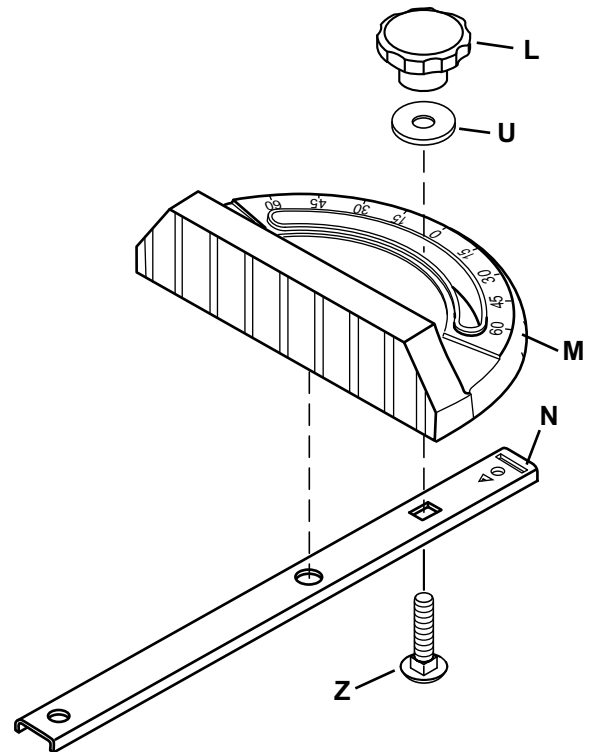


Figure 7

MOUNTING THE ROUTER



Always remove router bits and unplug router before mounting to router table.

The table will accept routers with bases up to 7" in diameter. There are two methods for attaching routers to router table. See chart below to see whether your router will mount directly to the table or will require the use of the adaptor plate provided.

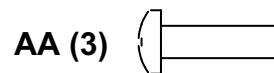
NOTE: If your router is not one of those listed in the chart, place the adaptor base plate on top of the router base plate and rotate until the holes in the two plates are aligned. When hole patterns line up, the mounting scheme has been identified.

Hole Pattern	Router Brand	Model Numbers
A	Ryobi	#R160K, #R160V, #R165, #R180
	Craftsman	#27500, #27510, #27511
B	Ryobi	#R175, #RE175
C	Black and Decker	#7600, #7604
D	Porter Cable	#690, #6931
Mount Directly to Table or Use Pattern E	Skil	#1823, #1835, #1845-02
	Craftsman	#17504, #17505, #17506
F	Black and Decker	#7612
	Dewalt	#DW 610

NOTE: If your router does not fit adaptor base plate or if you wish to mount router directly to the table for greater cutting depth, remove the base plate from your router, use it as a template, and drill directly through the tabletop.

Then, countersink the holes and fasten router to the tabletop, as described in "Mounting Routers With Three-Hole Base Plate Hole Pattern E" on next page.

I. Mounting Routers with 7" Round Adaptor Base Plate



1. Remove the base plate from router.
2. Place the adaptor base plate (K) on the router base according to mounting pattern identified in chart. See Figures 8 and 9.

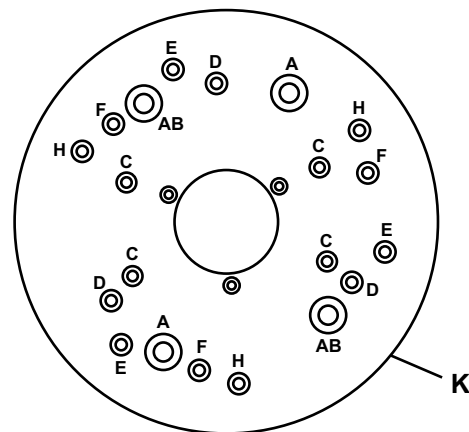


Figure 8

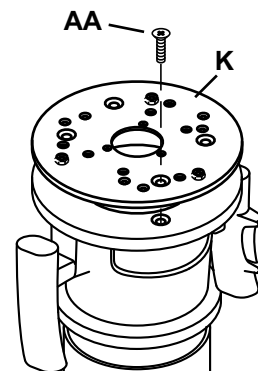


Figure 9

3. Use the screws removed from the router base plate to attach the adaptor base plate to the router base. Tighten screws securely.

4. Mount the router with adaptor base plate using the through holes in tabletop and router base and then into the mounting nuts. Tighten securely. (The adaptor base plate comes from the factory with mounting nuts pressed into it.)
See Figure 10.

CAUTION Make sure the screws from router base plate are long enough to mount router securely. Replace if necessary.

5. Mount the router with adaptor base plate putting the machine screws (**AA**) through the holes in the tabletop and router base. Tighten securely. See Figure 10.

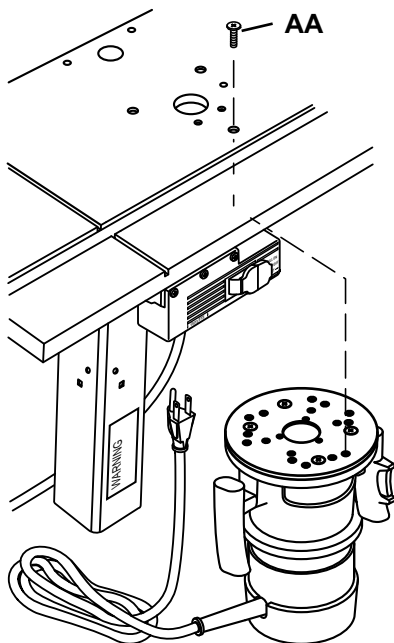
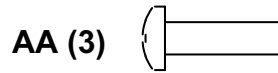


Figure 10

II. Mounting Routers with Three-Hole Base Plate (Hole Pattern "E")



1. Remove router base plate from router by removing screws.

2. Loosen knobs and slide fences so that notches in fences line up to clear mounting holes.

3. While holding router upside down, position it to the underside within the center ring of the table top.

4. Rotate router until the three mounting holes in router base line up with the three larger holes in the table top.

NOTE: For ease of use, position the router so the ON-OFF switch is accessible from the front of the table.

5. Insert three machine screws (**AA**) through holes in tabletop and into router mounting holes. Tighten securely. See Figure 11.

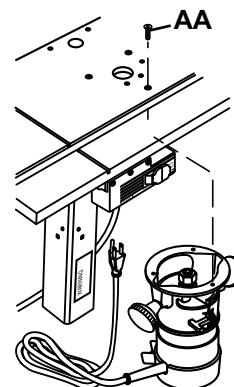


Figure 11

CAUTION Make sure the screws from router base plate are long enough to mount router securely. Replace if necessary.

SECURING THE ROUTER TABLE

WARNING DO NOT use the router table unless it is firmly mounted to a stable work surface. Failure to securely mount the router table could lead to serious personal injury and/or property damage.

Secure router table to the work surface using wood screws or sheet metal screws and washers (not provided) through the holes provided. There are a total of 8 mounting holes. See Figure 12.

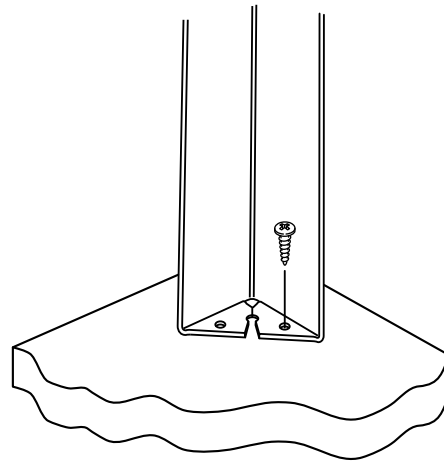


Figure 12

SWITCH BOX

Introduction

A conveniently located Switch Box allows the operator to:

- turn the router ON and OFF from the front of the table
- simultaneously operate other devices such as a light or a vacuum

It also features a resettable, internal circuit breaker that protects your equipment against overloads. See Figure 13.

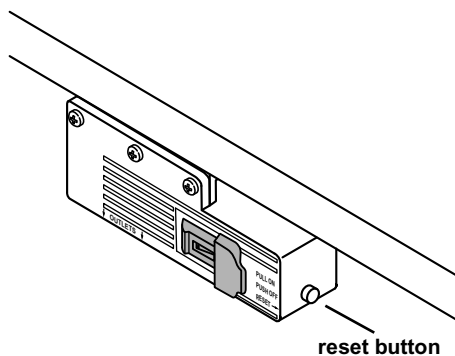


Figure 13

Electrical Hookup

Proper grounding diverts potentially dangerous electricity away from the operator. The switch box is intended for use with a three-prong, grounded outlet. (See Figure 14.) The switch box's electrical cord features an equipment-grounding connector and a grounding plug. Insert the plug into an accommodating outlet that conforms to all local electrical codes and the National Electric Code (NEC).

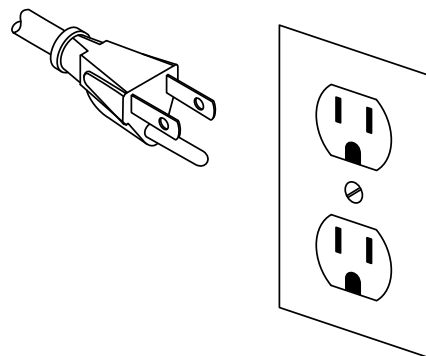


Figure 14

⚠ WARNING

DO NOT MODIFY THE PLUG

If it does not fit correctly, a qualified electrician must install a compatible outlet.

AVOID THE RISK OF ELECTRICAL SHOCK

NEVER connect the equipment grounding connector (green wire) to a "hot" electrical terminal. When repairing or replacing the electric plug or cord, DO NOT connect the grounding connector to a "hot" electrical terminal.

Consult a qualified electrician if you do not understand the grounding procedures, or if you are not sure whether the switch box is correctly grounded.

REPLACE DAMAGED CORDS

Damaged and/or worn cords must be repaired or replaced immediately.

Extension cords must be three-wire, 14 gauge or larger, with three-prong "male" plugs, and three hole "female" receptacles fabricated to accept the tool's plug.

The electrical outlets on the bottom of the switch box accept three-prong grounded plugs and the two-prong plugs of double insulated tools.

The electrical outlets on the bottom of the switch box accept three-prong grounded plugs and the two-prong plugs of double insulated tools. If a correctly grounded outlet is unavailable, use a temporary adapter to connect the switch box's three-prong plug to a two-hole receptacle. Make use of the temporary adapter only until a qualified electrician installs a correctly grounded, three-prong outlet. The green rigid lug or grounding wire MUST connect to the ground on the outlet. (See Figure 15, below.)

RISK OF ELECTRIC SHOCK

DO NOT touch prongs when inserting or removing plug from outlet. Improper grounding can produce potentially hazardous electrical discharges that can, in turn, cause serious injury or death - especially in wet conditions, such as a basement, outside, or near plumbing.

DO NOT attach a 3-way plug or any other adapter to outlets on bottom of switch box.

Only use the switch box when it is properly assembled to the router table AND when the router is properly attached to the router table.

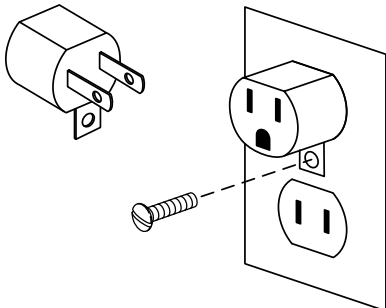


Figure 15

Switch Box Familiarization

The purpose of this section is to familiarize the user with the operation of the switch box BEFORE the router is plugged in.

! WARNING DO NOT plug the router in at this time. An ON switch will start and an unprepared user could possibly be seriously injured.

The switch box also features a safety key that prevents tools plugged into the switch box from being turned ON inadvertently. Removal of the safety key disables the switch box by locking the switch in the OFF position. Strike the switch paddle with your hand to turn the router OFF in an emergency situation. Please note paddle switch positions and reset button at this time. See Figure 16.

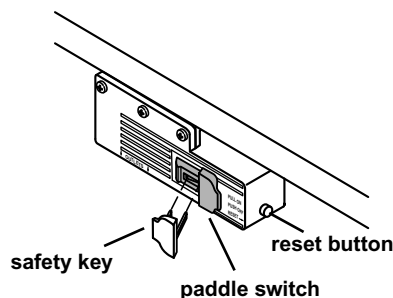


Figure 16

Operation of Switch Box and Router

! WARNING Make sure router switch is OFF and switch box is OFF BEFORE proceeding.

1. Insert the yellow safety key into the switch box.
2. Position router power switch to ON.

NOTE: If your router requires the use of the switch trigger and "Lock-On" button, refer to your Router Owner's Manual for operating instructions.

3. Insert finger under paddle and pull switch to ON position.
4. To turn router OFF, push paddle down.

! WARNING Router bit must come to a complete stop before leaving router table unattended.

5. Lock switch to OFF position by removing key from switch box.

For Routers With "LOCK-ON" Feature

The "LOCK-ON" feature will not permit the router to be turned ON by the switch box, but it can be turned OFF by the switch box. Operate as follows:

1. Place the switch box to ON as previously described. The router should NOT start even though the trigger lock is in the "LOCK-ON" position. Refer to your Router Owner's Manual.
2. To start router, depress trigger and engage "LOCK-ON" button. Router should start.

NOTE: The router will not start if the router switch is already in the "LOCK-ON" position. In this case, unlock the trigger, depress the trigger to start the router, then re-engage the "LOCK-ON" button.

3. To turn router OFF, push switch paddle down.

Circuit Breaker

If an overload occurs, the circuit breaker inside the switch box trips and interrupts power to the router and any accessories. If this happens:

1. Unplug the power cord.
2. Remove the workpiece from the router bit and table.
3. Find the cause of the overload and correct.
4. Push the reset button to reset it. See Figure 17.
5. Plug in power cord.
6. Follow instructions under Operation of Switch Box and Router to reset router.

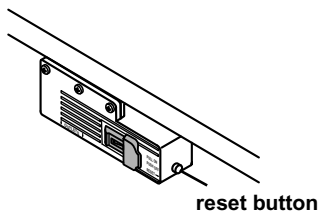


Figure 17

WARNING When router table is not in use, always:

1. Place the switch box in OFF position and remove the safety key.
2. Place router power switch in OFF position.
3. Unplug switch box from wall outlet.
4. Remove router bit.
5. Make sure router collet assembly is below router table.
6. Remove and place safety key in a secure location. Remember where you place the safety key.

WARNING If breaker trips, or the router stalls, or if the power fails for any other reason, place the switch box in the OFF position, remove the safety key, and unplug the switch box from the wall outlet.

Table Flatness Adjustment

Your router table comes equipped with an L-bracket mounted under it to help ensure the flatness of the working surface. If the router table should ever become warped, the flatness can be adjusted by shimming under the L-bracket. Loosen L-bracket mounting screws and place shims as necessary. Tighten L-bracket screws securely. Check table top flatness with a straightedge or the edge of a carpenter's square. See Figure 18.

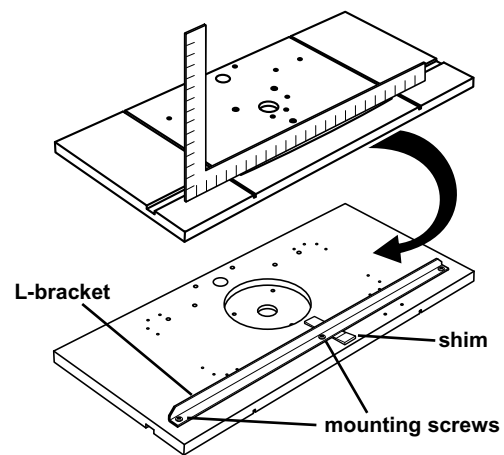


Figure 18

OPERATION

Connecting a Vacuum

A hole is provided under the safety shield that will accept standard 1-1/4" vacuum hose connections. (For some shop vacuums, an adapter must be purchased.) If the vacuum is plugged into the switch box, it will turn ON and OFF simultaneously with the router.

Using the Fences



WARNING

Feed workpiece against the router bit's direction of rotation. Unplug router prior when changing the bit, modifying settings, or making any other adjustments.

Using the Router for Beading and Edge Cutting

1. Loosen the knobs that hold the fences in place. See Figure 19, below.

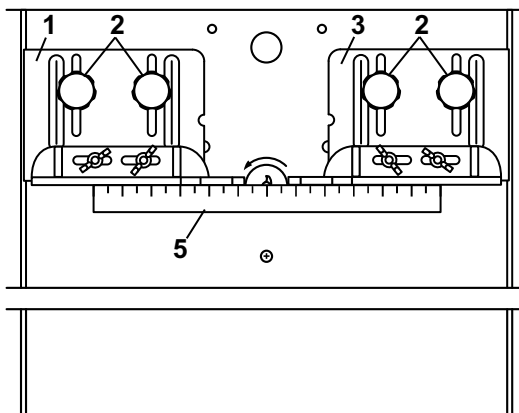


Figure 19

For clarity, safety shield not shown

1. Left Fence
2. Knobs
3. Right Fence
4. Router Bit Rotation
5. Straightedge

2. Position the right fence for the desired cutting depth (3, Figure 20).

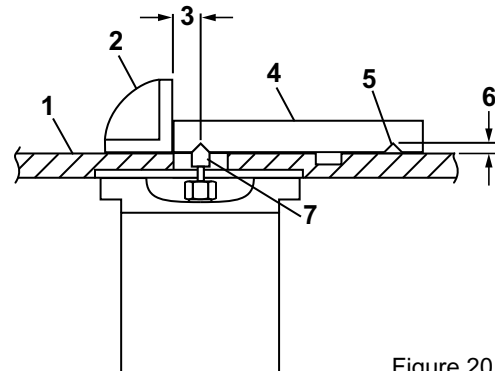


Figure 20

1. Tabletop
2. Right fence
3. Cutting depth
4. Workpiece
5. Successive cut
6. Depth of cut
7. Router bit

3. Tighten the knobs that secure the right fence in place.
4. Place a straightedge against the right fence face.

NOTE: When making this adjustment, the router bit can interfere with the straightedge. If this occurs, lower the bit below the surface of the table until both fences are positioned.

5. Using the straightedge as a guide, position the left fence so it is even with the right fence.
6. Swing the safety shield over the router bit.
7. Your router/router table is now ready to use.

NOTE: Remember to always feed the workpiece against router bit's direction of rotation. Test on a scrap of wood before making final cuts.

Using the Router as a Jointer

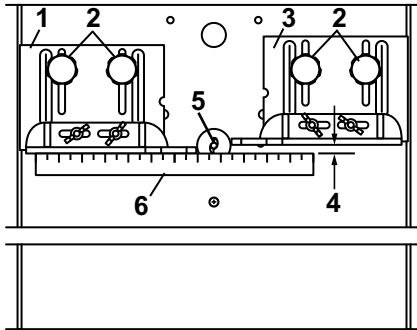


Figure 21

For clarity, safety shield not shown

- | | |
|----------------|-----------------|
| 1. Left Fence | 4. Depth of Cut |
| 2. Knobs | 5. Router Bit |
| 3. Right Fence | 6. Straightedge |

NOTE: Make sure boards that are to be jointed together are true and smooth. Also make sure edges are prepared properly.

1. Loosen the knobs holding the fences in place. See Figure 21.
2. Against the left fence, place a straightedge.
3. Slide fence until straightedge touches the outside diameter of the router bit.
4. Tighten the left fence knobs.
5. Position the right fence to the desired depth of the cut.
6. Tighten the right fence knobs.
7. Securely tighten the router bit, and make sure the router is properly assembled to the router table as previously detailed in this manual.

8. Swing the safety shield over the router bit.
9. Your router/router table is ready to use.

NOTE: Try a piece of scrap wood to check for correct adjustment. When standing in front of router table, feed work from right to left.

Using Ball-Bearing-Guided Bits

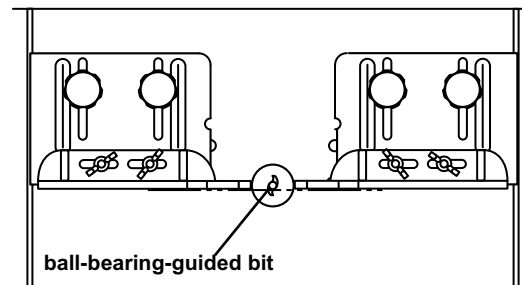


Figure 22

WARNING To help reduce the chance of injury, make sure the fences are as close as possible to the router bit pilot. Move the fences back **ONLY** enough to permit the ball-bearing guide to control the depth of cut. See Figure 22.

Cutting Without Fences and/or Guard

WARNING Using the router without the safety shield and fences in place can lead to serious personal injury. Use extreme caution: Operate the router without safety shields and fences **ONLY** when absolutely necessary, and with ball-bearing-guided-type router bits.

WARNING Feed workpiece against the router bit's direction of rotation. Unplug router prior to changing the bit, modifying settings, or making any other adjustments.

Some jobs require that you rotate the safety shield out of the way and remove the fences. See Figure 23.

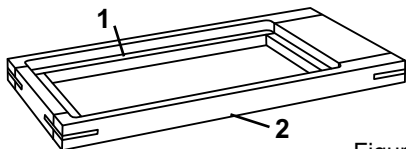


Figure 23

1. Interior router cut
2. Window

If the piece of wood you are routing is between you and the router bit, feed from **RIGHT** to **LEFT**. Remember to always feed the workpiece against router bit's direction of rotation. See Figure 24.

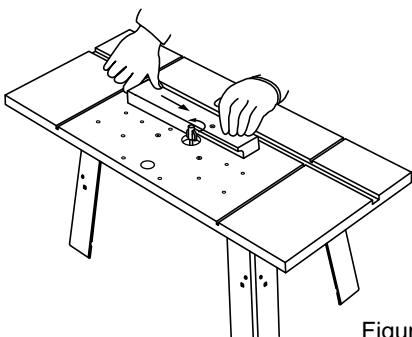


Figure 24

If the router bit is between you and the piece of wood being routed, then feed from **LEFT** to **RIGHT**. Always feed against the rotation of the router bit. See Figure 25.

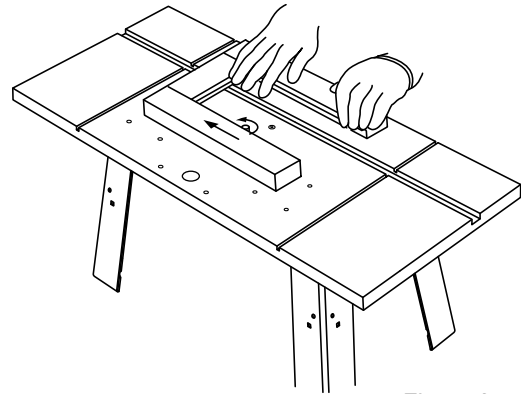


Figure 25

Scrap pieces will provide extra stability and support when routing a small workpiece or ends of large workpieces. See Figure 26.

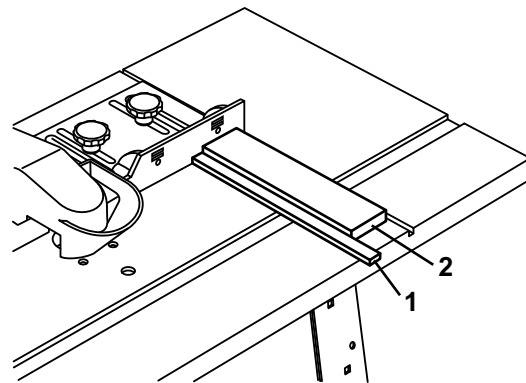


Figure 26

1. Small workpiece
2. Scrap piece

OPTIONS / ACCESSORIES

Using the Featherboard Flaps

The featherboard flaps (**P**) provide support for your workpiece by holding the piece securely to help minimize chatter and kickback. Insert the featherboard flaps into the fences. See Figure 27.

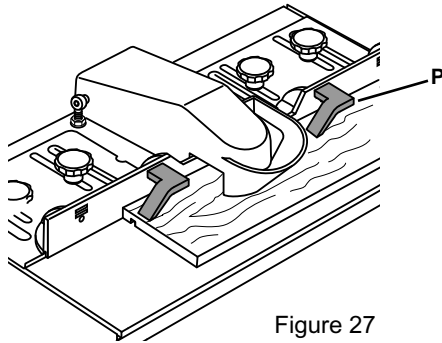


Figure 27

Unitized Fence

A unitized fence can be created to make it possible to rout taller workpieces. The router table is designed to accept a board (unitized fence) of up to 4 inches in height. To make a unitized fence, perform the following:

1. Obtain a straight board up to 4 inches in height.
2. Place the board against the fences and mark the location of the holes in the fences.
3. Drill and countersink the board to accommodate the hardware (not included) to attach the board to the fences.
4. Attach the board securely to the fences (hardware not included).

5. Loosen the knobs on the fences, turn router ON and pass the board through the router bit to create an exact cut-out of your bit in the fence. If a larger bit exposure is needed, notch the board out as needed.

Adjusting the Fence Slides

The fence slides can be positioned closer to the router bit to provide better support of the workpiece. To reposition the fence slides, loosen the wing nuts, reposition fence slides closer to the router bit and tighten wing nuts securely. **DO NOT** let the fence slides touch the router bit. See Figure 28.

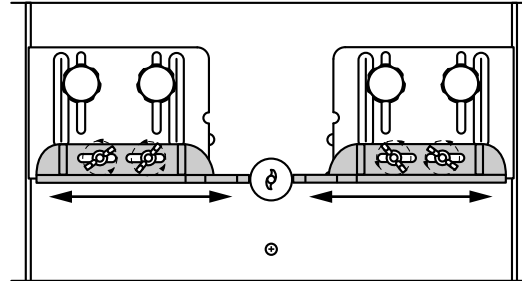


Figure 28

Optional Floor Leg Mounting

A kit (119 800 451) is available from **wolcraft®** that allows the mounting of leg extensions and shelves to your router table as shown. Leg extensions are adjustable in height from 32" to 38". A second lower shelf can be created by cutting a board and fastening it to the short leg extension pieces. See Figure 29.

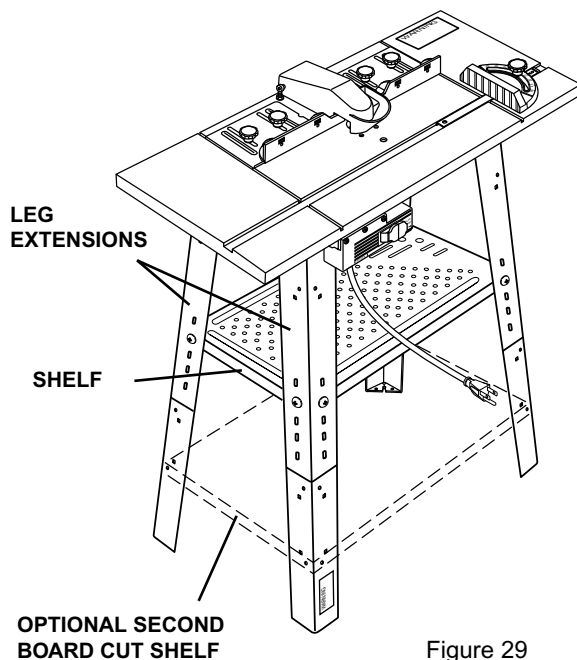


Figure 29

1. Attach the Dremel™ Rotary Hobby Tool to the Tool Holder Assembly from the Dremel™ #330 Router Attachment Kit as stated in the Router Attachment Kit Owner's Manual. See Figure 30, below.

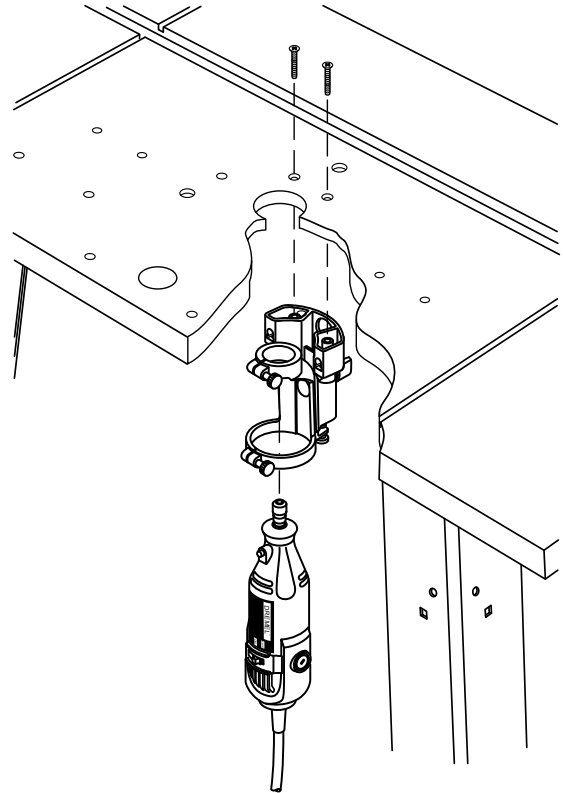


Figure 30

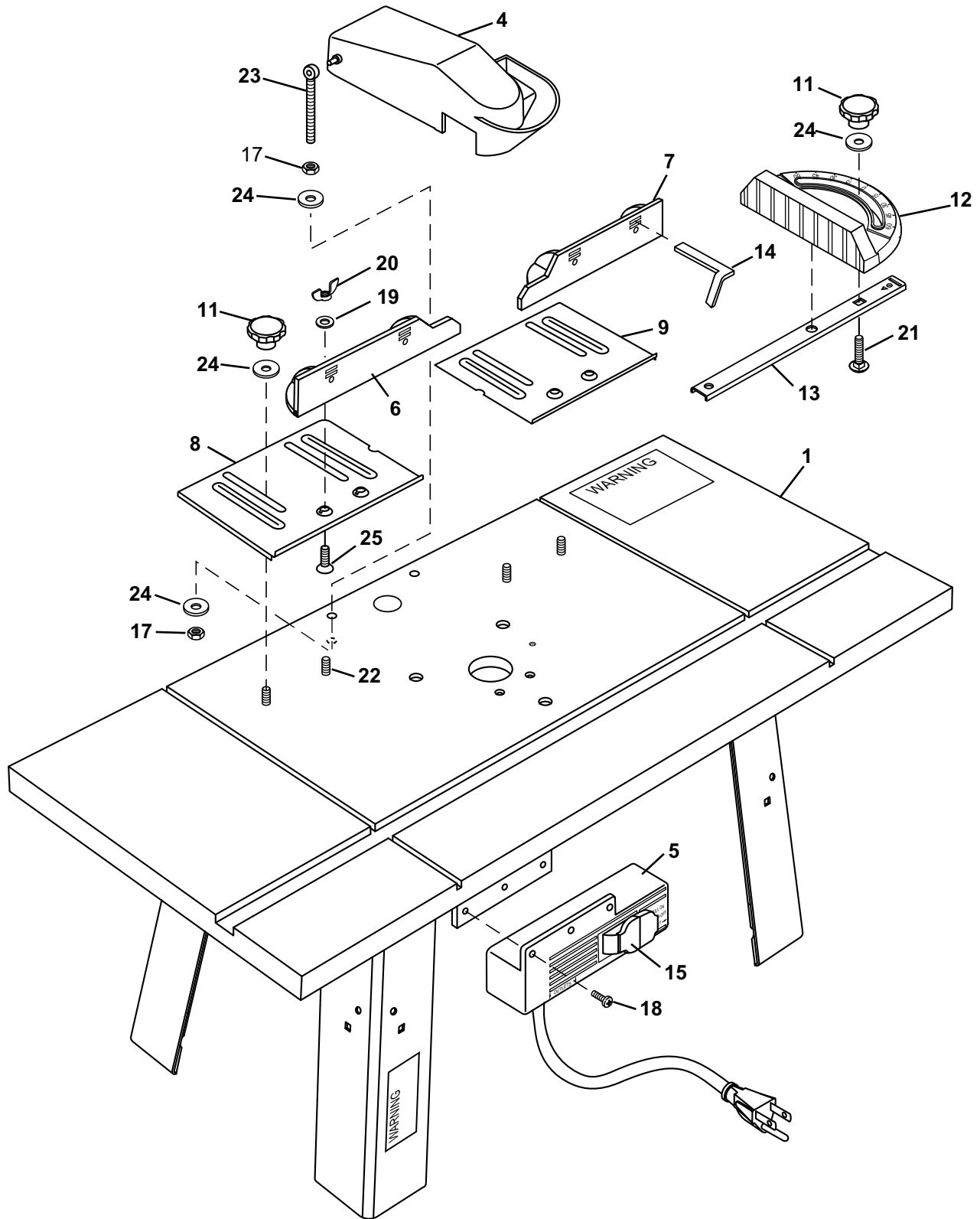
Mounting a Dremel™ Rotary Hobby Tool (Not Included)

Extend the capabilities of your Dremel™ Tool by mounting it to the router table as follows: (Dremel™ Tool and Dremel™ #330 Router Attachment Kit not included):

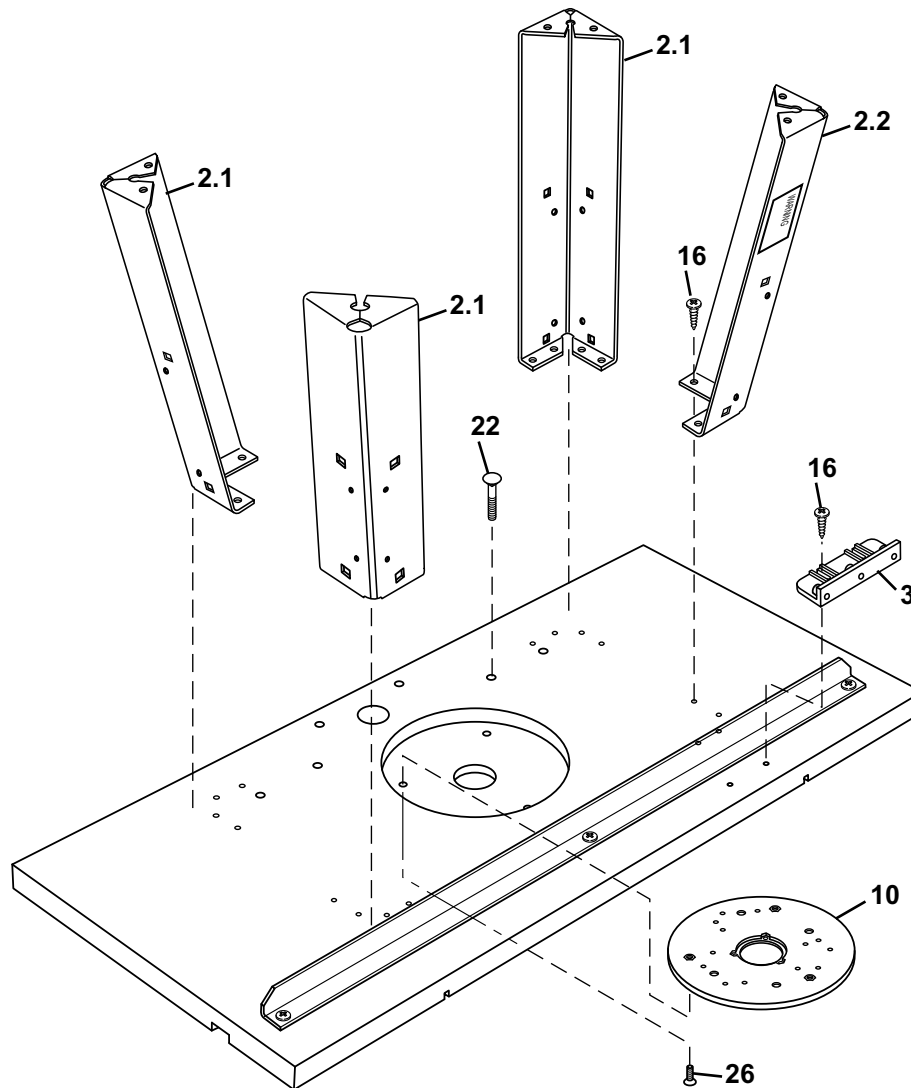
NOTE: To mount your Dremel™ Tool, the Dremel™ #330 Router Attachment Kit must be purchased separately.

2. Secure the hobby tool assembly to the router table using the Bracket Mounting Screws from the #330 Router Attachment Kit.
3. Loosen wing nuts on fence slides and move them closer to the smaller Dremel™ router bit for better workpiece support. DO NOT let the fence slides touch the router bit.

REPAIR PARTS 6157 Router Table



REPAIR PARTS 6157 Router Table



KEY NO.	ITEM	PART NO.	DESCRIPTION	QTY.	KEY NO.	ITEM	PART NO.	DESCRIPTION	QTY.
1	A	119 900 808	Tabletop	1	16	Q	116 710 098	Pan head screw (6x20)	18
2.1	B-1	117 020 211	Leg	3	17	T	116 730 125	Hex nut, M6	4
2.2	B-2	119 900 012	Leg, front left	1	18	V	116 700 076	Pan head screw (M5x20)	3
3	C	116 620 258	Switch box bracket	1	19	X	116 730 131	Washer (M6)	4
4	D	116 620 256	Safety shield	1	20	Y	116 730 123	Wing nut	4
5	E	117 920 107	Switch box	1	21	Z	116 700 066	Carriage bolt (M6x30)	1
6	F	116 620 254	Fence, left	1	22	R	116 700 067	Carriage bolt (M6x35)	4
7	G	116 620 253	Fence, right	1	23	S	116 700 075	Eyebolt (M6x55)	2
8	H	117 020 215	Fence base, left	1	24	U	116 730 132	Washer (M6)	9
9	J	117 020 214	Fence base, right	1	25	W	116 700 073	Flat countersink bolt (M6x20)	4
10	K	116 620 255	Adaptor base plate	1	26	AA	116 730 077	Machine screw (10-32x11/16)	3
11	L	116 670 012	Knob	5					
12	M	116 600 134	Miter guide head	1					
13	N	117 040 133	Miter bar	1					
14	P	116 620 257	Feather flap	2					
15		116 620 275	Safety key	1					

TABLE DES MATIERES

GARANTIE	25	ASSEMBLAGE	32
CONSIGNES DE SÉCURITÉ	26	MONTAGE DE LA TOUPILLEUSE	35
DÉBALLER ET VÉRIFIER LE CONTENU.....	27	FIXATION DE LA TABLE À TOUPIE	37
INTRODUCTION	27	BOÎTE D'INTERRUPTEUR	37
CARACTÉRISTIQUES ET FICHE TECHNIQUE	28	UTILISATION	41
CONTENU DE L'EMBALLAGE ET LÉGENDE DU		OPTIONS/ACCESSOIRES.....	44
MATÉRIEL	29	PIÈCES DE RECHANGE	46
		CARTE DE GARANTIE DU PRODUIT.....	51

ÍNDICE

GARANTÍA	25	ARMADO	32
INSTRUCCIONES DE SEGURIDAD	26	CÓMO MONTAR LA FRESADORA.....	35
DESEMPAQUE Y REVISIÓN DEL CONTENIDO	27	CÓMO FIJAR LA MESA DE LA FRESADORA.....	37
INTRODUCCIÓN	27	CAJA DEL INTERRUPTOR.....	37
CARACTERÍSTICAS Y ESPECIFICACIONES	28	OPERACIÓN.....	41
CONTENIDO DE LA CAJA Y EXPLICACIÓN		OPCIONES/ACCESORIOS.....	44
DE LOS COMPONENTES	29	PIEZAS PARA REPARACIÓN.....	46
		TARJETA DE PRODUCTO DE LA GARANTÍA.....	51

GARANTIE

GARANTIE ILLIMITÉE

GARANTIE

Cette table à toupie **wolcraft®** est garantie contre tout défaut de matériel et de main-d'œuvre, et ce pendant toute la durée de vie du produit. Pendant la durée de la garantie, les obligations du fabricant se limitent au remplacement ou à la réparation, à son choix, du produit ou de toute pièce défectueuse. Cette garantie couvre seulement l'acheteur initial et ne s'applique pas aux conditions survenant suite à : un usage abusif, un usage à mauvais escient, une altération, une négligence, un entretien inadéquat ou une usure normale. Des réparations ou une altération non autorisées du produit annuleront cette garantie dans son intégralité.

Si vous remarquez un défaut dans le matériel ou la main d'œuvre, veuillez contacter le service à la clientèle **wolcraft®** par courrier électronique au customer.service@woa.wolcraft.com, par téléphone au 630.773.4777, par télécopieur au 630.773.4805, ou par courrier au 333 Swift Road, Addison, Illinois 60101. Des directives vous seront données pour résoudre le problème ou, si le problème ne peut être solutionné, on vous indiquera comment retourner le produit au fabricant pour réparation ou remplacement.

LIMITATION DE RESPONSABILITÉ

Le fabricant ne pourra être tenu responsable de la perte ou de dommages quels qu'ils soient y compris accidentels ou indirects, résultant directement ou indirectement de l'utilisation de ce produit.

GARANTÍA

GARANTÍA LIMITADA DE POR VIDA

GARANTÍA

Esta mesa para fresadora **wolcraft®** está garantizada contra defectos en material y mano de obra durante la vida del producto. La obligación del fabricante bajo esta garantía está limitada al reemplazo o reparación, a su opción, del producto o de cualquier parte defectuosa del mismo. Esta garantía se extiende al primer comprador solamente y no aplica a condiciones que resulten de abuso, mal uso, alteración, negligencia, mantenimiento inadecuado, o rotura y desgaste normales. Las reparaciones no autorizadas o manejo indebido del producto anulará esta garantía en su totalidad.

Si encuentra un defecto en material o mano de obra, contacte el Departamento de Servicio a Clientes de **wolcraft®** por e-mail en customer.service@woa.wolcraft.com, por teléfono al 630.773.4777, por fax al 630.773-4805, o por correo normal a 333 Swift Road, Addison, Illinois 60101, se le darán instrucciones sobre cómo resolver el problema o, si el problema no se puede resolver, sobre cómo devolver el producto al fabricante para reparación o reemplazo.

LIMITACIÓN DE LA RESPONSABILIDAD

El fabricante no será responsable por pérdida o daño de cualquier clase incluyendo daños incidentales o consecuentes que resulten ya sea directa o indirectamente del uso de este producto.

Certains états n'autorisent pas l'exclusion ou la limitation des dommages accidentels ou indirects, par conséquent la limitation ou l'exclusion stipulée ci-dessus ne s'applique pas à vous. L'utilisateur assume tous les risques ou responsabilités relatifs à l'installation ou l'utilisation de ce produit.

Cette garantie vous donne des droits spécifiques reconnus par la loi et vous pouvez également profiter d'autres droits qui varient selon les états.

LA GARANTIE EXPRESSE CONTENUE DANS LES PRÉSENTES REMPLACE TOUT AUTRE GARANTIE QUELLE QU'ELLE SOIT EXPRESSE OU IMPLICITE. AUCUNE GARANTIE IMPLICITE DE QUALITÉ MARCHANDE N'EST PROPOSÉE ET IL N'EXISTE AUCUNE GARANTIE QUI COUVRIRAIT PLUS QUE CE QUI EST DÉCRIT CI-CONTRE.

CARTE DE GARANTIE

Veuillez remplir la carte de garantie ci-jointe et l'envoyer par courrier à **wolcraft®** dans les 30 jours suivant la date d'achat; **vous pouvez également remplir la carte en ligne à www.wolcraft.com**. Négliger d'envoyer cette carte n'affectera pas vos droits à la garantie, si vous pouvez justifier d'une autre façon que vous étiez l'acheteur initial du produit. Il n'en reste pas moins qu'envoyer cette carte est un moyen pratique d'inscrire la date de votre achat dans nos dossiers et nous apporte des renseignements commerciaux qui nous aideront à répondre à vos besoins à l'avenir.

Algunos estados no permiten la exclusión o limitación de daños incidentales o consecuentes por lo que la limitación o exclusión anterior puede no ser aplicable para usted. El usuario asume todos los riesgos y responsabilidad respecto a la instalación o uso de este producto. Esta garantía le da derechos legales específicos y es posible que usted también tenga otros derechos que varían de estado a estado.

LA EXPLÍCITA GARANTÍA EN EL PRESENTE ES EN LUGAR DE CUALQUIER OTRA GARANTÍA, EXPRESA O IMPLÍCITA. NO SE HACE GARANTÍA IMPLÍCITA DE COMERCIABILIDAD Y NO NO HAY GARANTÍAS QUE SE EXTIENDAN MÁS ALLÁ DE LA DESCRIPCIÓN EN LA CARÁTULA DE LA MISMA.

TARJETA DE GARANTÍA

Sírvase completar la información de la tarjeta de garantía adjunta y envíela por correo a **wolcraft®** dentro de los 30 días a partir de la compra, o **complete la tarjeta en línea en www.wolcraft.com**. La omisión en suministrar esta tarjeta no afectará adversamente sus derechos de garantía si de otra manera puede demostrar en forma razonable que usted fue el comprador original del producto. Sin embargo, enviar esta tarjeta es una manera conveniente de establecer en nuestros archivos la fecha de su compra y nos ayuda a satisfacer mejor sus necesidades en el futuro.

CONSIGNES DE SÉCURITÉ

Les articles portant sur la sécurité dans ce manuel sont étiquetés avec les mentions AVERTISSEMENT et MISE EN GARDE.



AVERTISSEMENT

signifie que négliger de respecter les instructions de sécurité risque de provoquer des détériorations importantes, des blessures graves, voire même la mort.



MISE EN GARDE

signifie que négliger de respecter les instructions de sécurité risque de provoquer des détériorations minimales ou moyennes, ou des détériorations des biens ou de l'équipement.



AVERTISSEMENT

LIRE TOUTES LES CONSIGNES DE SÉCURITÉ AVANT L'UTILISATION

Lire consciencieusement le manuel d'utilisation. Retenir ses applications et ses restrictions ainsi que les risques éventuels particuliers.

METTRE À LA TERRE TOUS LES OUTILS (À MOINS QU'ILS NE COMPORTENT UNE DOUBLE ISOLATION)

Si votre outil est équipé d'un cordon à 3 conducteurs et d'une prise de mise à la terre à 3 broches homologués pour s'adapter à la prise de type de mise à la terre appropriée. Le conducteur vert dans le cordon est le câble de mise à la terre. Ne JAMAIS brancher le câble vert sur une borne interactive.

RESTER ÉLOIGNÉ DES MATIÈRES DANGEREUSES

L'allumage normal du moteur risque d'enflammer des fumées, des liquides inflammables ou des combustibles.

SE PROTÉGER DES BLESSURES

NE PAS UTILISER d'outil si vous êtes sous l'influence de drogues, d'alcool ou de médicaments.

PORTER DES VÊTEMENTS PROTECTEURS

Ne pas porter de vêtements lâches, de gants, de cravate, de bijoux qui peuvent être happés et tirés par des pièces mobiles. TOUJOURS porter des souliers antidérapants. Attacher les cheveux longs. Rouler les manches longues au-dessus des coudes.

PORTER DES LUNETTES DE PROTECTION

Porter des lunettes de protection (conformes aux normes ANSI Z87.1) EN PERMANENCE. Porter également un masque facial ou un masque antipoussière lorsque les opérations de coupe sont poussiéreuses et utiliser des protecteurs d'oreilles (protège-tympans ou serre-tête) lors d'une utilisation prolongée.

ÉVITER LES DÉMARRAGES INTEMPESTIFS

S'assurer que tous les interrupteurs sont bien en position " ARRÊT " avant d'effectuer le branchement.

NE JAMAIS SE TENIR DEBOUT SUR L'OUTIL

Si l'outil bascule ou si l'outil de coupe démarre accidentellement, cela risque de causer des blessures graves. NE PAS ranger de matériaux sur ou à proximité de l'outil, obligeant à se mettre debout sur l'outil pour les atteindre.

PROTÉGER ET UTILISER DES CORDONS ADAPTÉS

Ne JAMAIS porter l'outil par le cordon ou le tirer pour le débrancher de la prise. Protéger le cordon de la chaleur, de l'huile et des extrémités coupantes. Pour une utilisation occasionnelle à l'extérieur, utiliser des rallonges prévues à cet effet.

ÉVITER LES ENVIRONNEMENTS DANGEREUX

NE PAS utiliser d'outils électriques dans des endroits humides, mouillés ou soumis à la pluie Garder l'aire de travail bien éclairée et fournir une aire de travail adéquate.

VÉRIFIER LES PIÈCES ENDOMMAGÉES

Avant d'utiliser l'outil davantage, il est nécessaire de vérifier soigneusement toute pièce endommagée afin d'assurer qu'il fonctionne correctement et selon ses spécifications. Vérifier l'alignement de toute partie mobile, le gauchissement, le bris, l'assemblage et toute autre condition pouvant influencer la performance. Une protection ou toute autre pièce endommagée doit être correctement réparée ou remplacée.

VÉRIFIER LA DIRECTION D'ALIMENTATION

L'alimentation s'engage dans une lame ou une fraise dans le sens de rotation opposé de la lame ou de la fraise seulement.

NE JAMAIS LAISSER L'OUTIL EN FONCTIONNEMENT SANS SURVEILLANCE

Mettre l'appareil hors tension. Ne pas laisser l'outil sans surveillance avant qu'il ne soit complètement arrêté.

INSTRUCCIONES DE SEGURIDAD

En todo este manual, los aspectos de seguridad están etiquetados con las palabras ADVERTENCIA y PRECAUCIÓN.



ADVERTENCIA

significa que la omisión en apearse a esta manifestación de seguridad puede resultar en daño extenso al producto, lesiones personales graves, o la muerte.



PRECAUCIÓN

significa que la omisión en apearse a esta manifestación de seguridad puede resultar en lesiones personales menores o moderadas, o daño al equipo o propiedades.



ADVERTENCIA

LEA TODAS LAS INSTRUCCIONES DE SEGURIDAD ANTES DE USARSE

Lea cuidadosamente el manual del propietario. Aprenda sus aplicaciones y limitaciones así como los peligros potenciales específicos.

CONECTE A TIERRA TODAS LAS HERRAMIENTAS (A MENOS QUE SEAN DOBLEMENTE AISLADAS)

Si la herramienta está equipada con un cordón de 3 conductores y una clavija de 3 espigas del tipo conexión a tierra para encajar en el receptáculo adecuado tipo conexión a tierra, el conductor verde en el cordón es el conductor de tierra. NUNCA conecte el conductor verde a una terminal viva.

MANTENGA ALEJADA DE MATERIALES PELIGROSOS

El chisporroteo normal del motor podría encender humos, líquidos inflamables, o combustibles.

PROTÉJASE CONTRA LESIONES PERSONALES

NO opere ninguna herramienta mientras esté bajo la influencia de drogas, alcohol o cualquier medicamento.

VÍSTASE PENSANDO EN LA SEGURIDAD

No use ropa suelta, guantes, corbatas, o joyería, ya que estos artículos se pueden atorar y jalarle hacia partes en movimiento. Siempre use calzado que no resbale. Amarre hacia atrás el pelo largo. Enrolle las mangas largas arriba del codo.

USE LENTES DE SEGURIDAD

Use lentes de seguridad (deben cumplir con ANSI Z87.1) en TODO momento. También, use careta o máscara contra polvo si la operación de corte es polvorienta, y use protector para los oídos (tapones o cubre oídos) durante períodos de operación extensos.

EVITE ARRANQUES ACCIDENTALES

Asegúrese que todos los interruptores están en la posición "OFF" antes de conectar.

NUNCA SE PARE EN BANCOS

Puede ocurrir una lesión grave si el banco se voltea o si la herramienta de corte se conecta accidentalmente. NO almacene materiales arriba o cerca de la herramienta que haga necesario pararse en el banco para alcanzarlos.

PROTEJA Y USE CORDONES ADECUADOS

NUNCA cargue la herramienta por el cordón o le dé un tirón para desconectarlo del receptáculo. Proteja el cordón del calor, aceite y orillas filosas. Para operación temporal a la intemperie, use cordones de extensión diseñados para uso exterior.

EVITE UN MEDIO AMBIENTE PELIGROSO

NO use herramientas eléctricas en lugares húmedos o mojados o las exponga a la lluvia. Mantenga el área de trabajo bien iluminada y proporcione espacio de trabajo adecuado alrededor.

REVISE LAS PIEZAS DAÑADAS

Antes de continuar con el uso de la herramienta, una protección o cualquier otra pieza que esté dañada se debe revisar cuidadosamente para asegurarse que funcionará adecuadamente y realizará su función esperada. Verifique la alineación de las partes móviles, atornillado de partes móviles, rotura de piezas, montaje y cualquier otra condición que pueda afectar su operación. Una protección o cualquier otra pieza que esté dañada se debe reparar adecuadamente o reemplazarse.

VERIFIQUE LA DIRECCIÓN DE ALIMENTACIÓN

Alimente el trabajo a la cuchilla o cortador solamente en contra de la dirección de rotación de la cuchilla o cortador.

NUNCA DEJE FUNCIONANDO LA HERRAMIENTA SIN ALGUIEN QUE LA ATIENDA

Apague la alimentación eléctrica. No deje la herramienta sino hasta que se detenga por completo.

**AVERTISSEMENT** SUITE**FIXER LA TABLE À TOUPIE**

NE PAS essayer d'utiliser la table à toupie avant qu'elle ne soit fermement fixée sur l'établi ou qu'elle ne soit stable sur le sol.

GARDER LES MAINS LOINS DE L'AIRE DE COUPE**DÉBRANCHER LES OUTILS AVANT L'ENTRETIEN**

Lors du changement des forets, veiller à ce que la toupilleuse soit débranchée.

LAISSER TOUTES LES PROTECTIONS EN PLACE

S'assurer que les protections sont en bon état de fonctionnement, correctement réglées et alignées.

**MISE EN GARDE****RANGER CORRECTEMENT L'OUTIL**

Ne pas ranger la table à toupie à l'extérieur ou dans un endroit humide.

GARDER L'AIRE DE TRAVAIL PROPRE

Garder TOUJOURS l'aire de travail propre, nette et bien éclairée. NE PAS travailler ou placer les pieds de la table à toupie sur un sol avec de la sciure, de l'huile, de l'eau ou de la cire qui risquent de le rendre glissant.

NE PAS FORCER LES OUTILS

Ne pas forcer un outil ou ses fixations à effectuer une tâche pour laquelle il n'a pas été conçu. Il fonctionnera au mieux de ses performances et sans risque à la vitesse pour laquelle il a été conçu.

UTILISER DES PINCES POUR MAINTENIR LES PIÈCES SI BESOIN EST

Pour maintenir les pièces, il est plus sûr d'utiliser des pinces que les mains. Cela permet également de libérer les deux mains pour utiliser l'outil.

NE PAS DÉPASSER LA PORTÉE DE L'OUTIL

Maintenir en tout temps un bon équilibre avec les pieds bien au sol.

ENTRETIEN SOIGNEUSEMENT LES OUTILS

Les garder aiguisés et propres pour une performance et une sécurité maximales. Suivre les instructions pour le graissage et le changement des accessoires.

UTILISER LES ACCESSOIRES RECOMMANDÉS

Consulter ce manuel pour connaître les accessoires recommandés. Suivre les instructions qui accompagnent les accessoires. L'utilisation d'accessoires non adaptés risque d'être dangereuse.

ENLEVER TOUTES LES CLÉS DE RÉGLAGE

Prendre l'habitude de vérifier si toutes les clés de réglage sont enlevées de l'outil avant de mettre l'outil sous tension.

ASSURER LA SÉCURITÉ DES AUTRES

Les visiteurs et les enfants doivent rester à une distance sécuritaire de l'aire de travail, particulièrement lors de l'utilisation d'un outil électrique. Les visiteurs doivent porter un équipement sécuritaire identique à celui de l'opérateur.

CONSERVER CES INSTRUCTIONS**ADVERTENCIA****CONTINUACIÓN****ASEGURE LA MESA DE LA FRESADORA**

NO intente utilizar su mesa de fresadora a meno que esté firmemente fijada a su banco de trabajo o descanse establemente en el piso.

MANTENGA LAS MANOS ALEJADAS DEL ÁREA DE CORTE.**DESCONECTE LAS HERRAMIENTAS ANTES DE DARLES SERVICIO**

Cuando cambie las brocas, asegúrese que la fresadora esté desenchufada.

MANTENGA TODAS LAS PROTECCIONES EN SU LUGAR

Asegúrese que las protecciones estén en buenas condiciones de trabajo, correctamente ajustadas y alineadas.

**PRECAUCIÓN****MANTENGA LIMPIA EL ÁREA DE TRABAJO**

SIEMPRE mantenga su área de trabajo limpia, sin desorden y bien alumbrada. NO trabaje en, o coloque las patas de la mesa para fresadora en, superficies del piso que estén resbalosas por aserrín, aceite, agua o cera.

NO FUERCE LA HERRAMIENTA

No fuerce la herramienta o el accesorio para hacer un trabajo para el cual no se diseñó. Hará un trabajo mejor y con mayor seguridad a la capacidad para la cual se diseñó.

UTILICE PRENSAS PARA SUJETAR LA PIEZA DE TRABAJO CUANDO SEA PRÁCTICO

El uso de prensas para sujetar la pieza de trabajo es más seguro que usar su mano. También libera ambas manos para operar la herramienta.

NO SE EXCEDA EN TRATAR DE ALCANZAR ALGO

Mantenga firmes y balanceados los pies en todo momento.

CONSERVE ESTAS INSTRUCCIONES**CUIDE EL MANTENIMIENTO DE LAS HERRAMIENTAS**

Para un mejor funcionamiento mantenga las herramientas afiladas y limpias. Siga las instrucciones de lubricación y cambio de accesorios.

UTILICE LOS ACCESORIOS RECOMENDADOS

Consulte este manual sobre los accesorios recomendados. Siga las instrucciones que acompañan a los accesorios. El uso de accesorios inadecuados puede causar riesgos.

RETIRE LAS LLAVES Y HERRAMIENTAS DE AJUSTE

Forme el hábito de verificar para ver que las llaves y herramientas de ajuste se quitaron de la herramienta antes de encenderla.

ASEGURE LA SEGURIDAD DE LOS DEMÁS

Mantenga a los visitantes y niños a una distancia segura lejos del área de trabajo, especialmente cuando está operando una herramienta eléctrica. Los visitantes deben usar el mismo equipo de seguridad que el operador.

DÉBALLER ET VÉRIFIER LE CONTENU

IMPORTANT : Sortir toutes les pièces de l'emballage et vérifier chaque article par rapport à la liste de pièces figurant à la page 51 de ce manuel.

Votre table à toupie **wolfcraft®** est complète dans un carton lorsqu'elle vous est expédiée. S'assurer que tous les articles ont été comptés avant de jeter l'emballage.

DESEMPACADO Y REVISIÓN DEL CONTENIDO

IMPORTANTE: Separe todas las piezas de los materiales de empaque y revise cada artículo contra el contenido del paquete listado en este manual, que se encuentra en la página 94.

Su mesa para fresadora **wolfcraft®** se embarca completa en una caja. Asegúrese que todos las piezas se consideraron antes de desechar cualquier material de empaque.

INTRODUCTION

La table à toupie **wolfcraft®** est conçue pour vous fournir un moyen économique d'augmenter les utilisations de votre toupilleuse.

Nous sommes certains que la table à toupie **wolfcraft®** sera un ajout précieux à votre atelier.

REMARQUE : Vous trouverez dans ce manuel les instructions d'assemblage, d'installation, d'utilisation et une liste des pièces pour les modèles de table à toupie 6155 et 6156.

INTRODUCCIÓN

La mesa para fresadora **wolfcraft®** está diseñada para proporcionar un modo económico para extender las posibilidades de su fresadora.

Tenemos la certeza que encontrará que la mesa para fresadora es una valiosa adición a su taller.

NOTA: Este manual cubre las instrucciones de armado, ajuste, operación y lista de piezas tanto para la Mesa de Fresadora modelo 6155 y la Mesa de Fresadora modelo 6156.

CARACTÉRISTIQUES ET FICHE TECHNIQUE

CARACTERÍSTICAS SOBRESALIENTES Y ESPECIFICACIONES

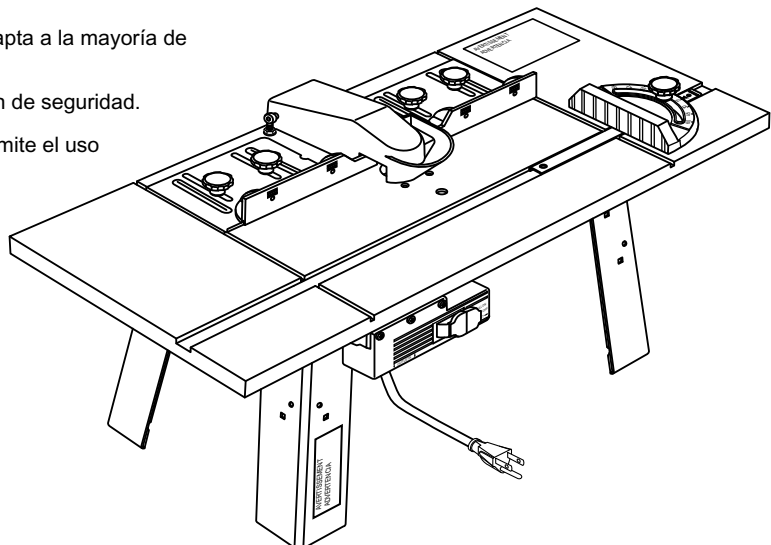
Poids de la table/Peso de la mesa 23 lbs.
Espace de travail de la table/Espacio de trabajo de la mesa 446 pouces carrés/pulgadas cuadradas
Dimensions/Dimensiones 14" I/A x 31-1/2 L x 14-1/2" H/A

Voici les caractéristiques propres à la table à toupie 6157 :

- Interrupteur à clé monté à l'avant avec deux prises de 120 volts et une protection du disjoncteur
- Des prises accessibles par la base supportent que la toupilleuse et les prises de l'aspirateur de l'atelier fonctionnent simultanément.
- La surface de la table en MDF offre une aire de toupillage lisse et propre ainsi qu'un degré de stabilité plus élevé tout en diminuant les vibrations
- Les guides de mesure de la table comprennent des échelles et un grand guide à onglets pour couper rapidement et avec précision des angles droits ou de 0 à 60°.
- Un guide clivé à quadratique invariante pour les applications de précision, qu'il est possible de convertir en un guide droit monocoque
- Plaque d'ajustage de toupilleuse universelle, s'adapte à pratiquement toutes les toupilleuses
- Combinaison de collecteur de poussières/écran de protection
- Les pieds d'une taille de 14 po permettent l'utilisation de la plupart des toupilleuses
- Planches à lamelles montées sur le guide

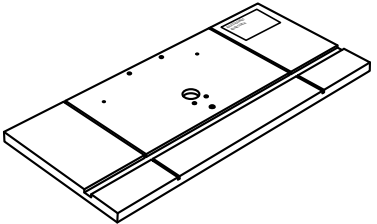
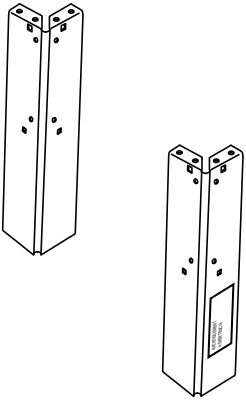

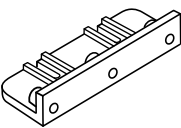
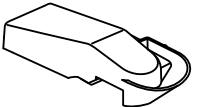
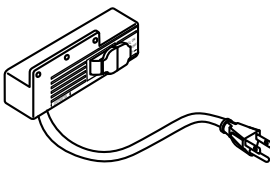
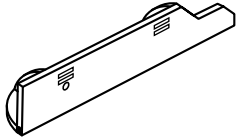
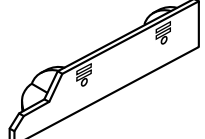
Las características de la mesa para fresadora 6157 incluyen:

- Interruptor de energía con llave montado al frente con dos receptáculos de 120 voltios y protección con interruptor automático.
- Tomas de corriente accesibles por el fondo que aceptan las clavijas de la fresadora y aspiradora de taller para encender ambas al mismo tiempo.
- Tablero de la mesa de MDF laminado que proporciona una superficie de fresado lisa y limpia y un alto grado de estabilidad en tanto que reduce la vibración.
- Las guías de medición del tablero de la mesa incluyen escalas y guía grande para corte de ingletes para hacer cortes rectos y a ángulos de 0 a 60° con rapidez y precisión.
- Barrera guía bipartida, con auto escuadreo para aplicaciones de precisión, capaz de convertirse en una barrera guía unificada, recta.
- Placa universal adaptadora de fresadoras, se adapta a la mayoría de fresadoras.
- Combinación de recolector de polvos y protección de seguridad.
- Patas de tamaño natural de 14 pulgadas que permite el uso de la mayoría de fresadoras
- Tablas de sujeción montadas en la barrera guía.



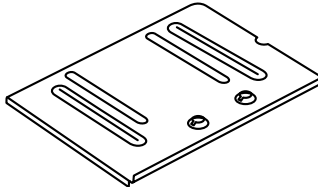
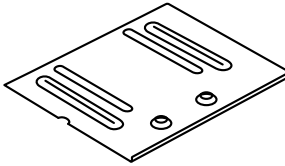
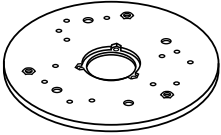
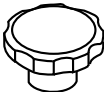
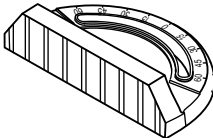
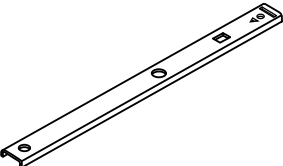
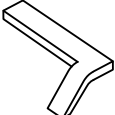
CONTENU DE L'EMBALLAGE ET LÉGENDE DU MATÉRIEL

CONTENIDO DE LA CAJA Y EXPLICACIÓN DE LOS COMPONENTES

ARTICLE ARTÍCULO	DESCRIPTION DESCRIPCIÓN	QTÉ CANT.		
A	Surface de la table Tablero de la mesa	1	A	
B-1	Pied Pata	3	B-1	
B-2	Pied, avant gauche Pata, frente izquierdo	1	B-2	
C	Équerre de boîte d'interrupteur Soporte de caja del interruptor	1	C	
D	Écran de protection Protección de seguridad	1	D	
E	Boîte d'interrupteur Caja del interruptor	1	E	
F	Guide gauche Barrera guía, izquierda	1	F	
G	Guide droit Barrera guía, derecha	1	G	

CONTENU DE L'EMBALLAGE ET LÉGENDE DU MATÉRIEL

CONTENIDO DE LA CAJA Y EXPLICACIÓN DE LOS COMPONENTES

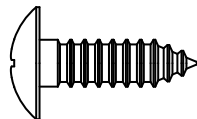
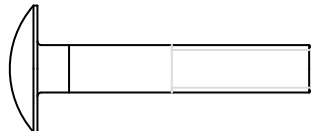
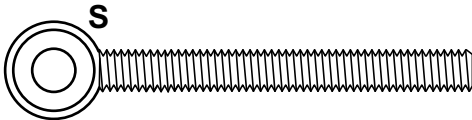
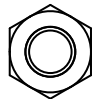
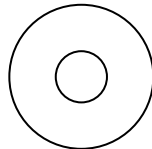
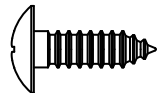
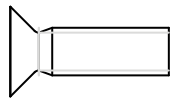
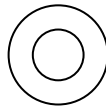
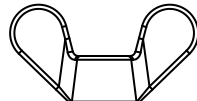
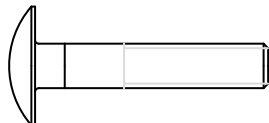
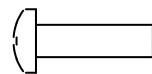
ARTICLE ARTÍCULO	DESCRIPTION DESCRIPCIÓN	QTÉ CANT.		
H	Base du guide gauche Base de barrera guía, izquierda	1	H	
J	Base du guide droit Base de barrera guía, derecha	1	J	
K	Plaque de base adaptatrice Placa base adaptadora	1	K	
L	Bouton Botón	5	L	
M	Tête du guide à onglets Cabeza de guía para ingletes,	1	M	
N	Barre à onglets Barra para ingletes	1	N	
P	Rabat à lamelles Aleta de sujeción	2	P	

CONTENU DE L'EMBALLAGE ET LÉGENDE DU MATÉRIEL (suite)

REMARQUE : Les pièces (vis, écrous, rondelles) sont illustrées en dimension réelle.

CONTENIDO DE LA CAJA Y EXPLICACIÓN DE LOS COMPONENTES (cont.)

NOTA: Accesorios de montaje (tornillos, tuercas, rondanas) se muestran en su tamaño real.

ARTICLE ARTÍCULO	DESCRIPTION DESCRIPCIÓN	QTÉ CANT.		
Q	Vis à tête cylindrique bombée, zinc Tornillo cabeza plana para avellanar, zinc (M6x20)	1	Q	
R	Boulon de carrosserie, zinc Perno de carruaje, zinc (M6x35)	4	R	
S	Boulon à œil Perno de ojal (M6x55)	2	S	
T	Écrou hexagonal Tuerca hexagonal (M6)	4	T	
U	Rondelle Rondana (M6)	9	U	
V	Vis à tête cylindrique bombée, noir Tornillo de cabeza cónica achatada, negro (M5x20)	3	V	
W	Boulon à tête plate fraisée Tornillo cabeza plana para avellanar (M6x20)	4	W	
X	Rondelle Rondana (M6)	4	X	
Y	Écrou à oreilles Tuerca de mariposa (M6)	4	Y	
Z	Boulon de carrosserie, noir Perno de carruaje, negro (M6x30)	1	Z	
AA	Vis à métaux Tornillo de máquina (10-32x11/16)	3	AA	

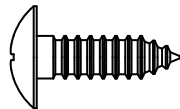
ASSEMBLAGE/ARMADO

Outils requis/Herramientas necesarias

- Tournevis Phillips no 2 et no 3 / Desatornilladores Phillips #2 y #3
- Marteau / Martillo
- Clé à molette / Llave ajustable

Assemblage du support Arme el banco

Q, zinc (16)



1. Placer la surface de la table à toupie (A) à l'envers sur une surface plane. Faire attention de ne pas égratigner la surface de la table.
2. Fixer les pieds (B-1 et B-2) solidement à la surface de la table avec 16 vis à tête cylindrique bombée (Q). Utiliser un tournevis Phillips no 3 pour éviter de dénuder les têtes de vis. Remarque : Le pied (B-2) est monté à la position gauche avant du dessus de table avec un collant de sécurité face vers l'avant. Voir la figure 1.

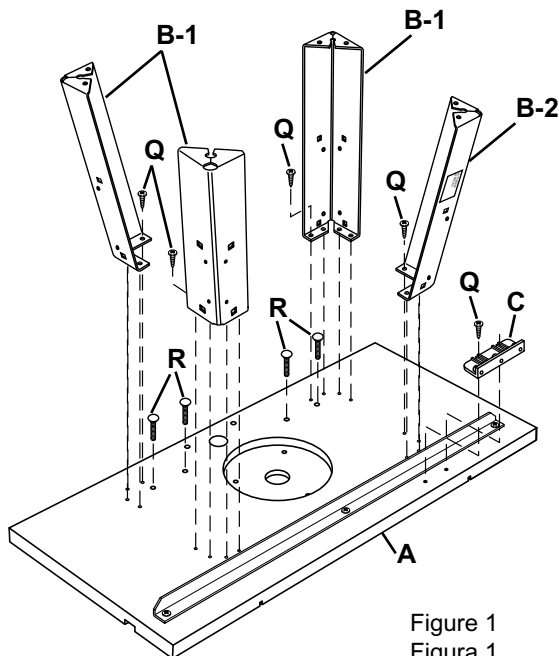
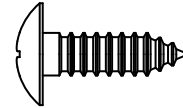


Figure 1
Figura 1

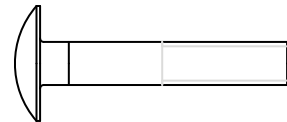
1. Coloque el tablero de la mesa (A) boca abajo en una superficie plana. Tenga cuidado de no raspar la superficie de la tabla de la mesa.
2. Instale firmemente las patas (B-1 and B-2) al tablero de la mesa con 16 tornillos de cabeza cónica achatada (Q). Utilice un desatornillador Phillips #3 para evitar estropear las cabezas de los tornillos. Nota: La pata (B-2) se encuentra montada en la posición frontal izquierda de la superficie de la mesa con la etiqueta de seguridad dando hacia el frente. Consulte la Figura 1.

Fixer la boîte d'interrupteur et l'écran de protection Instale la caja del interruptor y la protección de seguridad

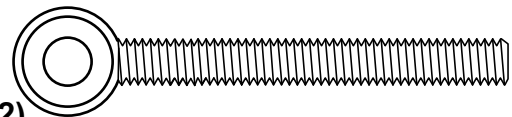
Q, zinc (2)



R, zinc (4)



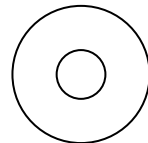
S (2)



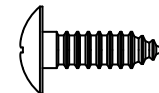
T (4)



U (4)



V, noir/negro (3)



1. Fixer les équerres de la boîte d'interrupteur (C) à la surface de la table avec 2 vis à tête cylindrique bombée (Q).
2. Placer l'assemblage de la table sur le côté.
3. Utiliser un marteau pour enfoncer 4 boulons de carrosserie (R) jusqu'à ce qu'ils se logent contre le fond de la surface de table.
4. Tourner l'assemblage de la table sur le côté droit.
5. Fileter un écrou (T) sur chaque boulon à œil (S) de façon à laisser environ ¼ po d'espace entre la tête du boulon à œil et l'écrou. Voir la figure 2.

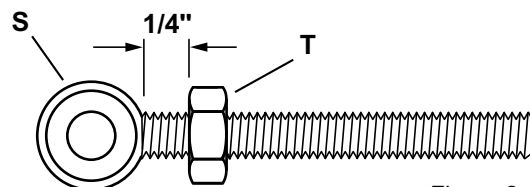


Figure 2
Figura 2

1. Instale el soporte de la caja del interruptor (C) al tablero de la mesa con 2 tornillos de cabeza cónica achatada (Q).
2. Coloque el conjunto de la mesa sobre su costado.
3. Con un martillo golpee 4 tornillos de coche (R) hasta que asienten en el fondo del tablero de la mesa.
4. Gire el conjunto de la mesa con el lado derecho hacia arriba.
5. Enrosque una tuerca (T) en cada armella (S) de modo que haya aproximadamente ¼ de pulgada de claro entre el ojo de la armella y la tuerca. Consulte la Figura 2.

- Placer les assemblages boulon à œil/écrou sur la charnière de l'écran de protection (D). Voir la figure 3.
- Insérer l'assemblage de l'écran de protection dans les 2 rondelles (U) et les trous de la surface de table.
- Avant de fixer l'assemblage de protection en place, faire pivoter la protection et s'assurer que L'arrière n'entre pas en contact avec la surface de table. Utiliser les écrous préalablement installés pour élever/abaisser l'assemblage de protection si besoin est.
- Fixer l'assemblage de protection en place avec 2 rondelles (U) et 2 écrous hexagonaux (T). Voir la figure 3.
- Utiliser un tournevis Phillips no 2 pour fixer le boîtier d'interrupteur (E) à l'équerre (C) avec 3 vis à tête cylindrique bombée (V). Voir la figure 4.

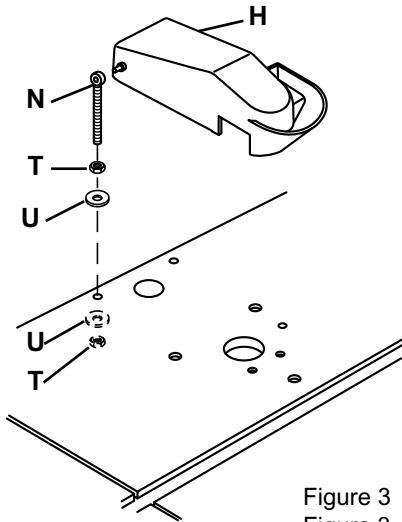


Figure 3
Figura 3

- Coloque los conjuntos de armella y tuerca en la bisagra de la protección de seguridad (D). Consulte la Figura 3.
- Inserte el conjunto de la protección de seguridad a través de 2 rondanas (U) y los orificios en el tablero de la mesa.
- Antes de fijar en su lugar el conjunto de la protección de seguridad, haga girar sobre su apoyo la protección de seguridad y asegúrese que la protección no toca el tablero de la mesa. Utilice las tuercas previamente instaladas para elevar / bajar cuanto sea necesario el conjunto de protección de seguridad.
- Fije en su lugar el conjunto de la protección de seguridad utilizando 2 rondanas (U) y 2 tuercas hexagonales (T). Consulte la Figura 3.
- Utilice un destornillador Phillips #2 para fijar la caja del interruptor (E) a su soporte (C) con 3 tornillos de cabeza cónica achatada (V). Consulte la Figura 4.

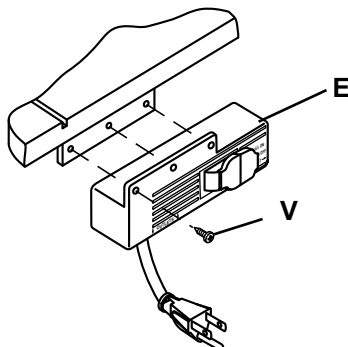
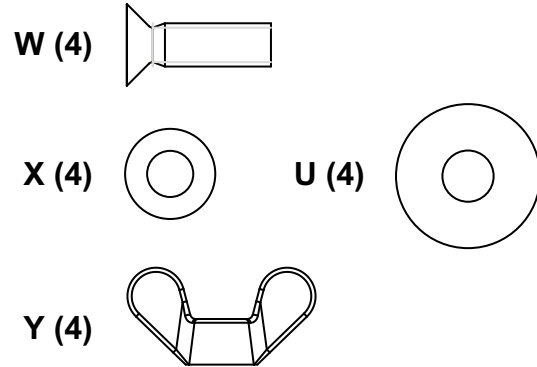


Figure 4
Figura 4

Assemblage des guides et le guide à onglets Arme las barreras guía y la guía de ingletes



- Fixer le guide gauche (F) à la base (H) à l'aide de 2 boulons coniques à tête plate (W), 2 rondelles (X) et 2 écrous à oreilles (Y). Recommencer pour le guide droit (G) et la base du guide droit (J). Voir la figure 5.

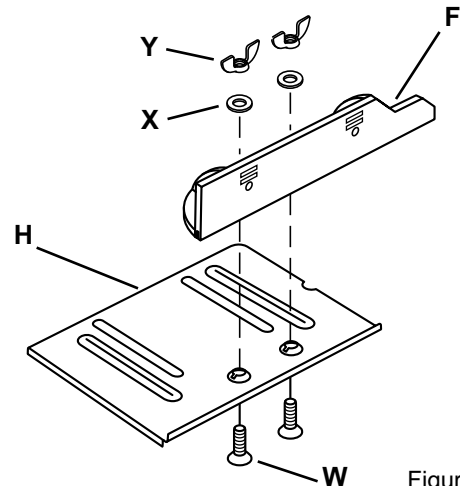


Figure 5
Figura 5

- Instale la barrera guía izquierda (F) a la base de la barrera guía izquierda (H) utilizando 2 tornillos de cabeza plana para avellanar (W), 2 rondanas (X) y 2 tuercas de mariposa (Y). Repítalo para la barrera guía derecha (G) y la base para la barrera guía derecha (J). Consulte la Figura 5.

2. Fixer les assemblages du guide à la table avec des rondelles (U) et des poignées (L). S'assurer que la collerette tournée vers le bas s'adapte correctement contre la paroi intérieure de l'encoche prévue à cet effet dans la surface de table. Voir la figure 6.

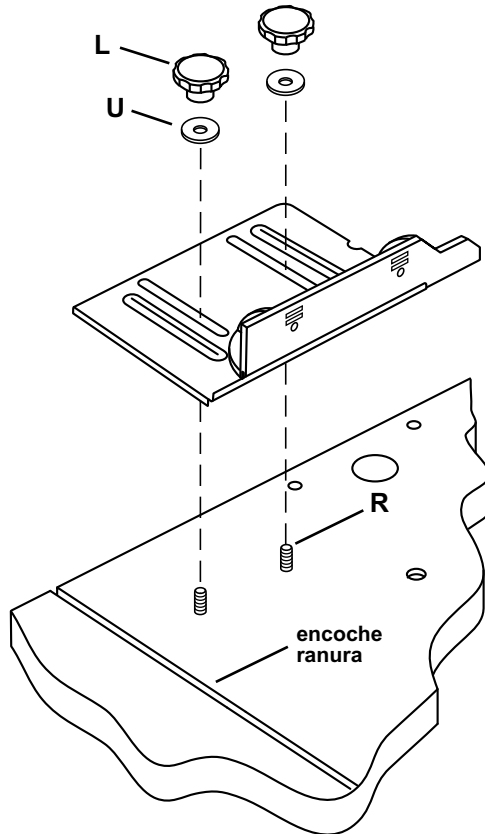


Figure 6
Figura 6

2. Instale los conjuntos de las barreras guía con rondanas (U) y botones (L). Asegúrese que el reborde girado hacia abajo encaja firmemente contra la pared interior de la ranura provista en el tablero de la mesa. Consulte la Figura 6.

3. Assembler la tête du guide à onglets (M) et la barre à onglets (N) avec un boulon de carrosserie (Z), une rondelle (U) et une poignée (L). Voir la figure 7.

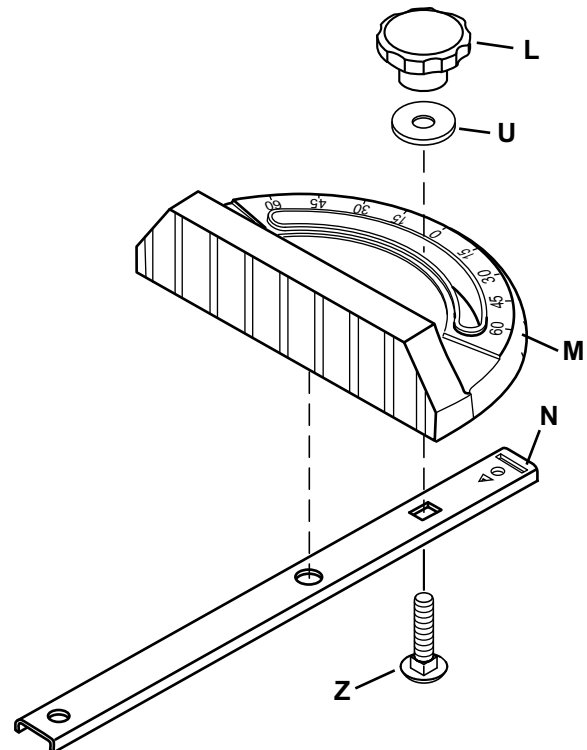


Figure 7
Figura 7

3. Arme la cabeza de la guía de ingletes (M) y la barra de ingletes (N) con un tornillo de coche (Z), rondana (U) Y botón (L). Consulte la Figura 7.

MONTAGE DE LA TOUPILLEUSE/CÓMO MONTAR LA FRESADORA

AVERTISSEMENT Toujours enlever les forets et débrancher la toupilleuse avant de monter la table à toupie.

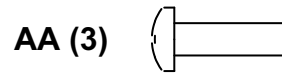
La table supportera les toupilleuses dont les bases ont jusqu'à 7 po de diamètre. Il existe deux méthodes pour fixer les toupilleuses à la table à toupie. Consulter le tableau ci-dessous pour savoir si votre toupilleuse se monte directement sur la table ou nécessite l'utilisation de la plaque adaptatrice fournie.

REMARQUE : Si votre toupilleuse ne fait pas partie de celles énumérées dans le tableau, placer la plaque de la base adaptatrice sur la partie supérieure de la plaque de base de la toupilleuse et la faire tourner jusqu'à ce que les trous des deux plaques soient alignés. Lorsque les motifs de trous sont alignés, le schéma de montage a été identifié.

REMARQUE : Si votre toupilleuse ne s'adapte pas à la plaque de base adaptatrice ou si vous désirez monter la toupilleuse directement sur la table pour profiter d'une profondeur de coupe plus importante, enlever la plaque de base de la toupilleuse, l'utiliser comme modèle et percer directement à travers la surface de la table. Puis, fraiser les trous et fixer la toupilleuse sur la table comme il est expliqué à la page suivante à la rubrique "Montage des toupilleuses avec motif E de trois trous sur la plaque de base."

NOTA: Si su fresadora no queda a la placa base adaptadora o si desea montar la fresadora directamente a la mesa para obtener mayor profundidad de corte, quite la placa base de su fresadora y úsela como plantilla para taladrar los orificios directamente en el tablero de la mesa. Después, avellane los orificios y fije la fresadora al tablero de la mesa, como se describe en la sección "Cómo montar fresadoras con placa base de 3 orificios (Configuración de orificios E)", en la página siguiente.

I. Monter les toupilleuses avec une plaque de base adaptatrice ronde de 7 po Cómo montar fresadoras con placa base adaptadora redonda de 7 pulgadas



1. Enlever la plaque de base de la toupilleuse.
2. Placer la plaque de base adaptatrice (K) sur la base de la toupilleuse selon le motif de montage identifié dans le tableau. Voir les figures 8 et 9.

Trou Motif/ Configuración de orificios	Marque de toupilleuse Marca de la fresadora	Números de modèle Número de modelo
A	Ryobi	#R160K, #R160V, #R165, #R180
	Craftsman	#27500, #27510, #27511
B	Ryobi	#R175, #RE175
C	Black and Decker	#7600, #7604
D	Porter Cable	#690, #6931
Monter directement sur la table ou utiliser le motif E / Montar directamente en la mesa o utilizar la configuración E	Skil	#1823, #1835, #1845-02
	Craftsman	#17504, #17505, #17506
F	Black and Decker	#7612
	Dewalt	#DW 610

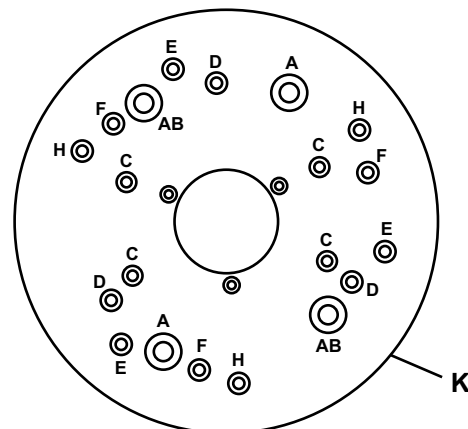


Figure 8
Figura 8

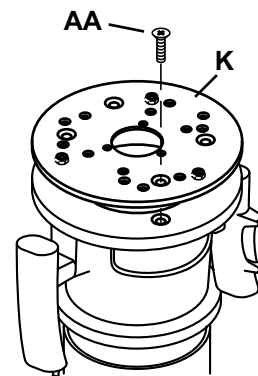


Figure 9
Figura 9

ADVERTENCIA Siempre quite las brocas de la fresadora y desconecte ésta antes de montarla a la mesa de fresadora.

La mesa acepta fresadoras con bases de hasta 7 pulgadas de diámetro. Hay dos métodos para instalar las fresadoras a la mesa de fresadora. Consulte la tabla de abajo para ver si su fresadora se monta directamente a la mesa o requerirá utilizar la placa adaptadora suministrada.

NOTA: Si su fresadora no es una de las enumeradas en la tabla, coloque la placa base adaptadora sobre la placa base de la fresadora y gírelas hasta que se alineen los orificios de las dos placas. Cuando se alineen las configuraciones de orificios, el esquema de montaje queda identificado.

1. Quite la placa base de la fresadora.
2. Coloque la placa base adaptadora (K) sobre la base de la fresadora de acuerdo con la configuración de montaje identificada en la tabla. Consulte las Figuras 8 y 9.

- Utiliser les vis enlevées précédemment de la plaque de base de la toupilleuse et fixer la plaque de base adaptatrice à la base de la toupilleuse. Serrer fermement les vis.
- Monter la toupilleuse avec la plaque de base adaptatrice en utilisant les trous traversants dans la surface de la table (A) et la base de la toupilleuse, puis dans les écrous d'assemblage. Serrer solidement. (La plaque de base adaptatrice est équipée d'écrous d'assemblage à l'usine.) Voir la figure 10.

MISE EN GARDE S'assurer que les vis de la plaque de base de la toupilleuse sont assez longues pour la monter sans risque. Les remplacer le cas échéant.

- Monter la toupilleuse avec la plaque de base adaptatrice en plaçant les vis à métaux (Z) dans les trous de la surface de la table (A) et la base de la toupilleuse. Serrer solidement. Voir la figure 10.

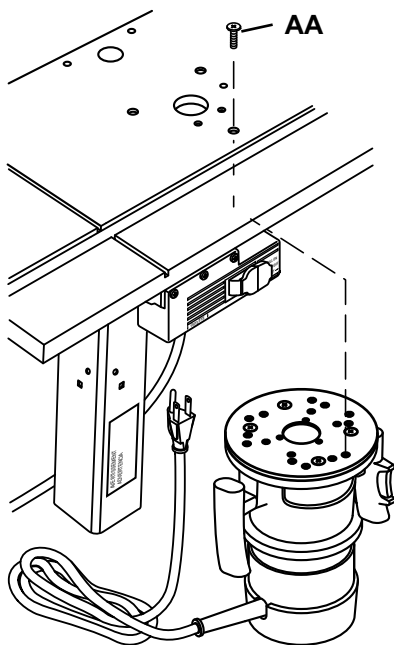


Figure 10
Figura 10

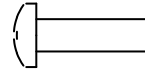
- Utilice los tornillos que se quitaron de la placa base de la fresadora para fijar la placa base adaptadora a la base de la fresadora. Apriete firmemente los tornillos.
- Monte la fresadora con la placa base adaptadora utilizando los orificios pasados en el tablero de la mesa (A) y la base de la fresadora y adentro de las tuercas de montaje. Apriete firmemente. (La placa base adaptadora viene de fábrica con las tuercas de montaje prensadas en ella) Consulte la Figura 10.

PRECAUCIÓN Asegúrese que los tornillos de la placa base de la fresadora son suficientemente largos para montar firmemente la fresadora. Reemplácelas si es necesario.

- Monte la fresadora con la placa base adaptadora poniendo los tornillos de máquina (Z) a través de los orificios del tablero de la mesa (A) y la base del fresadora. Apriete firmemente. Consulte la Figura 10.

II. Montage des toupilleuses avec la plaque de base à trois trous (motif de trou "E") Cómo montar fresadoras con la placa base de tres orificios (Configuración de orificios "E")

AA (3)



- Enlever la plaque de base de la toupilleuse en ôtant les trois vis.
- Desserrer les poignées et faire glisser les guides de façon à ce que les entailles des guides s'alignent précisément aux trous de fixation.
- Tout en tenant la toupilleuse à l'envers, la positionner en dessous dans l'anneau central de la surface de table.
- Faire tourner la toupilleuse jusqu'à ce que les trous de fixation dans la base de la toupilleuse soient alignés avec les trois plus grands trous de la table.

REMARQUE : Pour plus de commodité, placer la toupilleuse de façon à ce que l'interrupteur MARCHE-ARRÊT soit accessible de l'avant de la table.

- Insérer les trois vis à métaux (AA) dans les trous de la surface de table et dans les trous de fixation de la toupilleuse. Serrer solidement. Voir la figure 11.

MISE EN GARDE S'assurer que les vis de la plaque de base de la toupilleuse sont assez longues pour la remplacer le cas échéant.

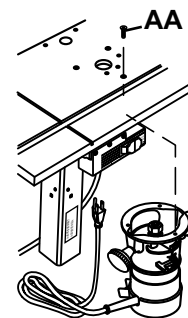


Figure 11
Figura 11

- Quite la placa base de su fresadora quitando los tres tornillos.
- Afloje los botones y deslice las barreras guía de modo que las muescas en las barreras guía se alinean para dejar libres los orificios de montaje.
- Sosteniendo la fresadora volteada al revés, colóquela por el lado de bajo dentro del anillo central de la tabla de la mesa.
- Gire la fresadora hasta que los tres orificios de montaje en la base de la fresadora se alineen con los tres orificios más grandes en el tablero de la mesa.

NOTA: Para facilidad de uso, coloque la fresadora de modo que el interruptor de ON-OFF esté accesible por el frente de la mesa.

PRECAUCIÓN Asegúrese que los tornillos de la placa base de la fresadora son suficientemente largos para montar firmemente la fresadora. Reemplácelos si es necesario.

- Inserte los tres tornillos de máquina (AA) a través de los orificios en el tablero de la mesa y en los orificios de montaje de la fresadora. Apriete firmemente. Consulte la Figura 11.

FIXATION DE LA TABLE À TOUPIE/CÓMO FIJAR LA MESA DE LA FRESADORA

AVERTISSEMENT NE PAS utiliser la table à toupie tant qu'elle n'est pas correctement montée sur une surface de travail stable. Négliger de monter solidement la table à toupie risque de provoquer de graves blessures et/ou d'endommager le matériel.

Fixer la table à toupie à la surface de travail à l'aide de vis en bois ou de vis autotaradeuses et des rondelles (non fournies) dans les trous prévus à cet effet. Il y a 8 trous de fixation au total. Voir la figure 12.

ADVERTENCIA NO use la mesa de fresadora a menos que esté firmemente montada en una superficie de trabajo estable. La omisión de montar firmemente la mesa de fresadora puede conducir a lesiones personales graves y / o daños a la propiedad.

Asegure la mesa de fresadora a la superficie de trabajo utilizando tornillos para madera o tornillos para lámina metálica y rondanas (no suministrados) a través de los orificios dispuestos para ello. Hay un total de 8 orificios de montaje. Consulte la Figura 12.

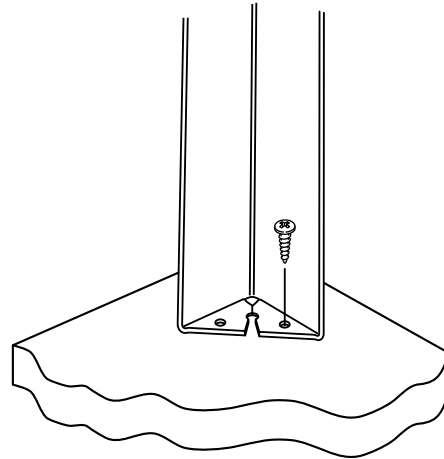


Figure 12
Figure 12

BOÎTE D'INTERRUPTEUR/CAJA DEL INTERRUPTOR

Introduction/Introducción

Une boîte d'interrupteur située commodément permet à l'opérateur de:

- mettre la toupilleuse sur MARCHE et ARRÊT de l'avant de la table
- d'utiliser simultanément les autres appareils comme un éclairage ou un aspirateur

Elle est également équipée d'un disjoncteur interne à réenclenchement qui protège votre machine des surcharges. Voir la figure 13.

Una caja de interruptor ubicada convenientemente permite que el operador:

- encienda y apague la fresadora desde el frente de la mesa
- simultáneamente opere otros dispositivos como una luz o una aspiradora

También tiene un interruptor automático interno que se puede restablecer, que protege su equipo contra sobrecargas. Consulte la Figura 13.

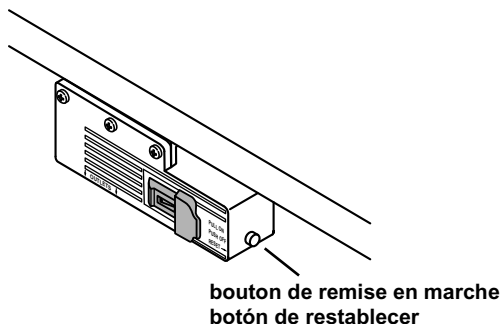


Figure 13
Figura 13

Prise électrique/Interconexiones eléctricas

Une mise à la terre correcte détourne l'électricité éventuellement dangereuse de l'opérateur. La boîte d'interrupteur est conçue pour être utilisée avec une prise mise à la terre à trois broches. (Voir la figure 14.) Le cordon électrique de la boîte d'interrupteur est doté d'un connecteur et d'une prise de mise à la terre. Insérer la prise dans une prise prévue à cet effet conforme au Code national de l'électricité (NEC) et à tous les codes électriques régionaux.

La conexión a tierra adecuada desvía lejos del operador electricidad potencialmente peligrosa. La caja del interruptor se diseñó para usarse con un receptáculo conectado a tierra de tres espigas. (Consulte la Figura 14). El cordón eléctrico de la caja del interruptor se caracteriza por un equipo de conexión a tierra y una clavija de puesta a tierra. Inserte la clavija en receptáculo que le acomode que cumpla con todos los códigos eléctricos locales y el Código Eléctrico Nacional (NEC por sus siglas en inglés).

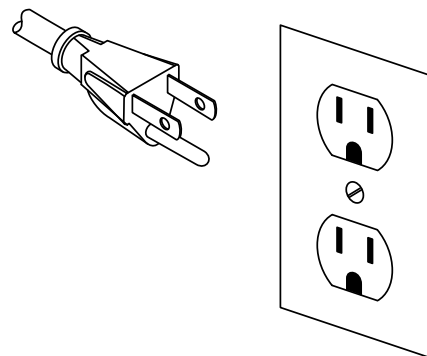


Figure 14
Figura 14

AVERTISSEMENT

NE PAS MODIFIER LA PRISE

Si elle ne s'adapte pas correctement, un électricien qualifié doit installer une prise compatible.

ÉVITER LE RISQUE D'ÉLECTROCUTION

NE JAMAIS brancher le connecteur de mise à la terre de la machine (fil vert) à une borne électrique "chaude". Pendant les réparations ou le remplacement d'une prise ou d'un cordon électrique, NE PAS brancher le connecteur de mise à la terre à une borne électrique "chaude".

Consulter un électricien qualifié si les procédures de mise à la terre ne sont pas explicites ou si vous n'êtes pas certain que la boîte d'interrupteur est correctement reliée à la terre.

REEMPLACER LES CORDONS ENDOMMAGÉS

Les cordons endommagés et/ou usés doivent être réparés ou remplacés immédiatement.

Les rallonges doivent être composées de trois fils, de calibre 14 ou plus, avec des prises "mâles" à trois broches et des prises "femelles" à trois trous, fabriquées pour supporter la prise de l'outil. Les prises électriques au bas de la boîte d'interrupteur acceptent les prises mises à la terre à trois broches et les prises à deux broches des outils à double isolation.

Les prises électriques au bas de la boîte d'interrupteur acceptent les prises mises à la terre à trois broches et les prises à deux broches des outils à double isolation. S'il n'y a pas de prise mise à la terre disponible, utiliser un adaptateur provisoire pour brancher la prise à trois broches du boîtier d'interrupteur dans une prise à deux trous. N'utiliser l'adaptateur provisoire seulement jusqu'à ce qu'un électricien qualifié installe une prise à trois broches correctement mise à la terre. La languette de contact rigide de couleur verte ou le fil de mise à la terre DOIT se connecter à la terre sur la prise. (Voir la figure 15 ci-dessous.)

RISQUE D'ÉLECTROCUTION

NE PAS toucher les broches en insérant ou débranchant la prise. Une mise à la terre inadéquate risque de produire des décharges électriques pouvant provoquer de graves blessures voire la mort - particulièrement dans les conditions humides comme un sous-sol, à l'extérieur ou à proximité d'installations de plomberie.

NE PAS fixer une prise à 3 voies ou tout autre adaptateur sur des prises en bas de la boîte d'interrupteur.

Utiliser uniquement la boîte d'interrupteur lorsqu'elle est correctement fixée à la table à toupie ET lorsque la toupilleuse est solidement fixée à la table à toupie.

ADVERTENCIA

NO MODIFIQUE LA CLAVIJA

Si no se enchufa correctamente, un electricista calificado debe instalar un receptáculo compatible.

EVITE EL RIESGO DE DESCARGA ELÉCTRICA

NUNCA conecte el conector de tierra del equipo (conductor verde) a una terminal eléctrica "caliente". Cuando repare o reemplace la clavija eléctrica o el cordón, NO conecte el conector de tierra a una terminal eléctrica "caliente".

Consulte a un electricista calificado si no entiende los procedimientos de conexión a tierra, o si no está seguro si la caja del interruptor está conectada a tierra correctamente.

REEMPLACE CORDONES DAÑADOS

Los cordones dañados y / o gastados se deben reparar o reemplazar inmediatamente.

Los cordones de extensión deben ser de tres conductores, calibre 14 o mayor, con clavijas "macho" de tres espigas y receptáculos "hembra" de tres orificios fabricados para aceptar la clavija de la herramienta. Los receptáculos eléctricos en el fondo de la caja del interruptor aceptan clavijas conectadas a tierra de tres espigas y las clavijas de dos espigas de las herramientas con aislamiento doble.

Los receptáculos eléctricos en el fondo de la caja del interruptor aceptan clavijas conectadas a tierra de tres espigas y las clavijas de dos espigas de las herramientas con aislamiento doble. Si no se dispone de un receptáculo conectado a tierra correctamente, use un adaptador temporal para conectar la clavija de tres espigas de la caja del interruptor a un receptáculo de dos orificios. Haga uso del adaptador temporal solamente hasta que un electricista calificado instale un receptáculo de tres espigas correctamente conectado a tierra. La zapata rígida verde o el conductor verde de conexión a tierra SE DEBE conectar a la tierra del receptáculo. (Consulte la Figura 15 más abajo).

RIESGO DE DESCARGA ELÉCTRICA

NO toque las espigas cuando inserte o retire la clavija del receptáculo. Una conexión a tierra inadecuada puede producir descargas eléctricas potencialmente peligrosas que pueden, a su vez, causar lesiones graves o la muerte - especialmente en condiciones mojadas como un sótano, la intemperie o plomería cercana.

NO conecte una clavija de tres vías o cualquier otro adaptador a los receptáculos del fondo de la caja del interruptor.

Use la caja del interruptor solamente cuando esté armada correctamente a la mesa de fresadora Y cuando la fresadora esté instalada correctamente a la mesa de fresadora.

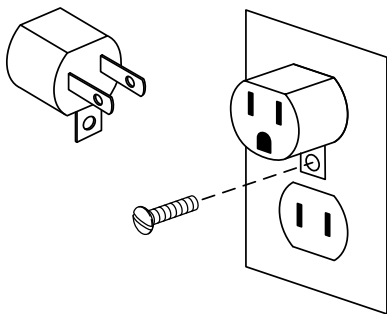


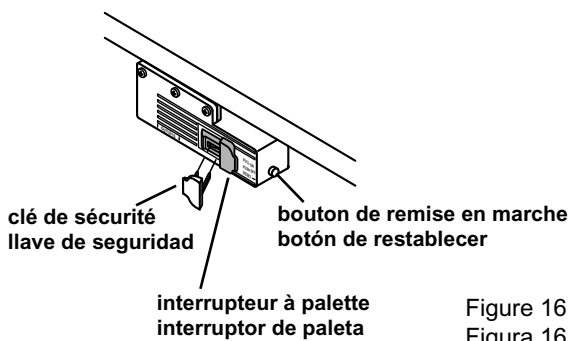
Figure 15
Figura 15

Se familiariser avec le boîtier d'interrupteur Familiarización con la caja del interruptor

L'objet de ce chapitre est de familiariser l'utilisateur au fonctionnement de la boîte d'interrupteur AVANT que la toupilleuse ne soit branchée.

AVERTISSEMENT NE PAS brancher la toupilleuse à ce moment. Un interrupteur MARCHE se mettra sous tension et un utilisateur non prévenu risque de se blesser.

La boîte d'interrupteur est également dotée d'une clé de sécurité qui empêche que les outils branchés à la boîte d'interrupteur ne soient mis en MARCHE par inadvertance. Enlever la clé de sécurité désactive la boîte d'interrupteur en verrouillant ce dernier en position ARRÊT. Appuyer sur la palette d'interrupteur avec la main et mettre la toupilleuse HORS TENSION en cas d'urgence. Noter les positions de l'interrupteur à palettes et du bouton de remise en marche à ce moment. Voir la figure 16.



La finalidad de esta sección es familiarizar al usuario con la operación de la caja del interruptor ANTES de que se enchufe la fresadora.

ADVERTENCIA NO enchufe la fresadora en este momento. Un interruptor conectado (en ON) arrancará y un usuario no preparado podría posiblemente ser lesionado gravemente.

La caja del interruptor también tiene una llave de seguridad que evita que las herramientas enchufadas en la caja del interruptor sean encendidas (posición ON) inadvertidamente. Al quitar la llave de seguridad se inhabilita la caja del interruptor bloqueando el interruptor en la posición de apagado (OFF). En una situación de emergencia, golpee la paleta del interruptor con su mano para poner la fresadora en OFF. Sírvase observar las posiciones del interruptor de paleta y del botón de restablecer en este momento. Consulte la Figura 16.

Utilisation de la boîte d'interrupteur et de la toupilleuse

AVERTISSEMENT S'assurer que l'interrupteur de la toupilleuse et que la boîte d'interrupteur sont HORS TENSION AVANT de commencer.

1. Insérer la clé de sécurité jaune dans la boîte d'interrupteur.
2. Placer l'interrupteur d'alimentation de la toupilleuse en position MARCHE.

REMARQUE : Si votre toupilleuse nécessite l'utilisation d'une gâchette d'interrupteur et du bouton "VERROUILLAGE", consulter le manuel d'utilisation de la toupilleuse pour les instructions d'utilisation.

3. Insérer un doigt sous la palette et tirer l'interrupteur sur la position MARCHE.
4. Pour mettre la toupilleuse HORS TENSION, enfoncer la palette.

AVERTISSEMENT Le foret de la toupilleuse doit être complètement arrêté avant de laisser la table à toupie sans surveillance.

5. Verrouiller l'interrupteur en position ARRÊT en ôtant la clé de la boîte d'interrupteur.

Operación de la caja del interruptor y la fresadora

ADVERTENCIA Asegúrese que el interruptor de la fresadora esté en OFF y la caja del interruptor esté en OFF ANTES de seguir adelante.

1. Inserte la llave de seguridad amarilla en la caja del interruptor.
2. Coloque el interruptor de alimentación de la fresadora en ON.

NOTA: Si su fresadora requiere el uso del interruptor de gatillo y el botón de "CANDADO ON", consulte las instrucciones de operación en el manual del propietario de su fresadora.

3. Inserte un dedo debajo de la paleta y jale el interruptor a la posición ON.
4. Para apagar la fresadora (posición OFF) empuje la paleta hacia abajo.

ADVERTENCIA La broca de la fresadora debe parar completamente antes de dejar la mesa de fresadora sin alguien que la atienda.

5. Bloquee el interruptor en la posición OFF quitando la llave de la caja del interruptor.

Pour les toupilleuses équipées d'une fonction "VERROUILLAGE"/Para fresadoras con la característica de "LOCK-ON"

La fonction "VERROUILLAGE" ne permet pas de mettre la toupilleuse en MARCHE à l'aide de la boîte d'interrupteur, en revanche, il est possible de la mettre HORS TENSION par cette même boîte. Procéder comme suit :

1. Placer la boîte d'interrupteur sur MARCHE comme il a été expliqué précédemment. La toupilleuse ne devrait PAS démarrer même si le verrou est en position "VERROUILLAGE". Consulter le manuel d'utilisation de toupilleuse.

2. Pour démarrer la toupilleuse, appuyer sur la gâchette et enclencher le bouton "VERROUILLAGE". La toupilleuse ne devrait pas démarrer immédiatement.

REMARQUE : En général, une toupilleuse ne démarre pas si l'interrupteur est déjà en position "VERROUILLAGE". Dans ce cas, déverrouiller la gâchette, appuyer sur la gâchette pour démarrer la toupilleuse puis réenclencher le bouton de "VERROUILLAGE".

3. Pour mettre la toupilleuse HORS TENSION, enfoncer la palette.

La caractéristique de "LOCK-ON" ne permettra que la fresadora se encienda (posición ON) desde la caja del interruptor, pero que sí se podrá apagar (posición OFF) con la caja del interruptor. Opera como sigue:

1. Coloque la caja del interruptor en ON como se describió antes. La fresadora NO debe arrancar aún cuando el candado de gatillo esté en la posición "LOCK-ON". Consulte el manual del propietario de su fresadora.
2. Para arrancar la fresadora, oprima el gatillo y accione el botón de "LOCK-ON". La fresadora debe arrancar al momento.

NOTA: La fresadora no arrancará si el interruptor de la misma ya está en la posición de "LOCK-ON". En este caso, desbloquee el gatillo, oprima el gatillo para arrancar la fresadora y después vuelva a accionar el botón de "LOCK-ON".

3. Para apagar la fresadora (posición OFF) empuje el interruptor de paleta hacia abajo.

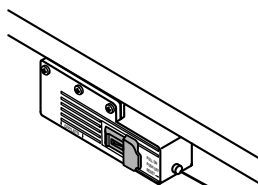
Disjoncteur/Interruptor automático

En cas de surcharge, le disjoncteur situé à l'intérieur de la boîte d'interrupteur se déclenche et interrompt l'alimentation de la toupilleuse et de tous les accessoires. Dans ce cas :

1. Débrancher le cordon d'alimentation.
2. Enlever la pièce travaillée du foret de la toupilleuse et de la table.
3. Trouver la cause de surcharge et y remédier.
4. Appuyer sur le bouton de remise en marche. Voir la figure 17.
5. Brancher le cordon d'alimentation.
6. Suivre les instructions à la rubrique Utilisation de la boîte d'interrupteur et de la toupilleuse pour remettre la toupilleuse en marche.

Si ocurre una sobrecarga, el interruptor automático adentro de la caja del interruptor se dispara e interrumpe la alimentación eléctrica a la fresadora y a cualquier accesorio. Si esto sucede:

1. Desenchufe el cordón de alimentación.
2. Quite la pieza de trabajo de la broca de la fresa y de la mesa.
3. Encuentre la causa de la sobrecarga y corríjala.
4. Empuje el botón de restablecer para restablecerla. Consulte la Figura 17.
5. Enchufe el cordón de alimentación.
6. Para restablecer la fresadora siga las instrucciones en la sección "Operación de la caja del interruptor y la fresadora".



Bouton de remise en marche
Botón de restablecer

Figure 17
Figura 17



AVERTISSEMENT

Lorsque la table à toupie n'est pas utilisée, toujours :

1. Placer la boîte d'interrupteur en position ARRÊT et enlever la clé de sécurité.
2. Placer l'interrupteur d'alimentation de la toupilleuse en position ARRÊT.
3. Débrancher la boîte d'interrupteur de la prise murale.
4. Enlever le foret de toupilleuse.
5. S'assurer que la pince de la toupilleuse se trouve en dessous de la table à toupie.
6. Enlever et placer la clé de sécurité dans un endroit sûr. Ne pas oublier l'endroit où elle est rangée.



AVERTISSEMENT

Si le disjoncteur se déclenche, la toupilleuse se détache ou si l'alimentation est coupée pour quelque raison que ce soit, placer la boîte d'interrupteur en position ARRÊT, ôter la clé de sécurité et la débrancher de la prise murale.



ADVERTENCIA

Cuando la mesa de fresadora no esté en uso, siempre:

1. Coloque la caja del interruptor en la posición OFF y quite la llave de seguridad.
2. Coloque el interruptor de alimentación eléctrica de la fresadora en la posición OFF.
3. Desenchufe la caja del interruptor del receptáculo de pared.
4. Quite la broca de la fresadora.
5. Asegúrese que el conjunto de pinza para brocas de la fresadora esté por debajo de la mesa de fresadora.
6. Quite la llave de seguridad y colóquela en un lugar seguro. Recuerde en donde colocó la llave de seguridad.



ADVERTENCIA

Si el interruptor automático se dispara, o la fresadora se para, o si la alimentación eléctrica falla por cualquier otra razón, coloque la caja del interruptor en la posición OFF, quite la llave de seguridad y desenchufe la caja del interruptor del receptáculo de pared.

Ajustement de la planitude de la table Ajuste de la igualdad de superficie de la mesa

La table à toupie est équipée d'une équerre en L, montée en dessous permettant d'assurer la planitude de la surface de travail. Au cas où la table à toupie devient gauchie, il est possible d'ajuster la planitude en compensant sous l'équerre en L. Desserrer les vis de fixation des équerres en L et placer des cales le cas échéant. Serrer fermement les vis des équerres en L. Vérifier la planitude de la surface de la table avec une règle droite ou le bord d'une équerre de charpentier. Voir la figure 18.

Su mesa de fresadora viene equipada con un soporte en "L" montado debajo de ella para ayudarla a garantizar la igualdad de la superficie de trabajo. Si la mesa de fresadora se llegara alguna vez a pandear, la igualdad de la superficie se puede ajustar calzando bajo el soporte en "L". Afloje los tornillos de montaje del soporte en "L" y coloque las calzas que sean necesarias. Apriete firmemente los tornillos del soporte en "L". Verifique la igualdad de la superficie con una regla recta o la orilla de una escuadra de carpintero. Consulte la Figura 18.

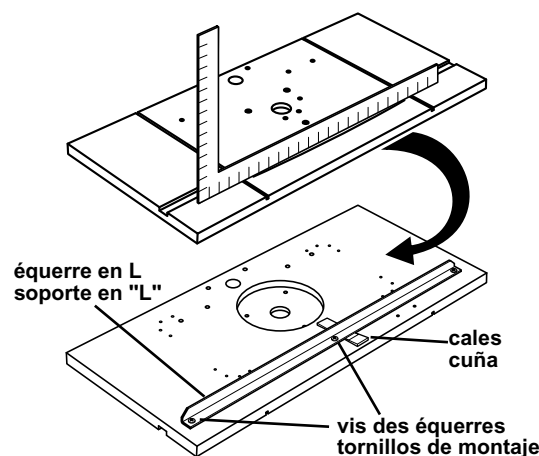


Figure 18
Figura 18

UTILISATION/OPERACIÓN

Branchement d'un aspirateur Cómo conectar una aspiradora

Un trou est prévu sous l'écran de protection pour des connexions de tuyau d'aspirateur standard de 1-1/4 po. (Pour certains aspirateurs d'atelier, il est nécessaire d'acheter un adaptateur.) S'il est branché dans la boîte d'interrupteur, l'aspirateur se mettra sur MARCHÉ et ARRÊT en même temps que la toupilleuse.

Bajo la protección de seguridad está provisto un orificio que acepta las conexiones estándar de manguera de aspiradora. (Para algunas aspiradoras de taller se debe comprar un adaptador). Si la aspiradora se enchufa en la caja del interruptor, se encenderá y apagará (ON y OFF) simultáneamente con la fresadora.

Utilisation des guides Cómo utilizar las barreras guía

AVERTISSEMENT Toujours insérer la pièce travaillée dans la direction opposée à la rotation du foret.

Débrancher la toupilleuse avant de changer le foret, ce qui permet de modifier les paramètres ou d'effectuer tout autre ajustement.

ADVERTENCIA Alimente la pieza de trabajo en contra de la dirección de rotación de la broca de la fresadora. Desenchufe la fresadora previamente al cambiar la broca, modificar las condiciones o hacer cualquier otro ajuste.

Utiliser la toupilleuse pour le moulage et la coupe d'extrémité Cómo usar la fresadora para corte de molduras y rebordes

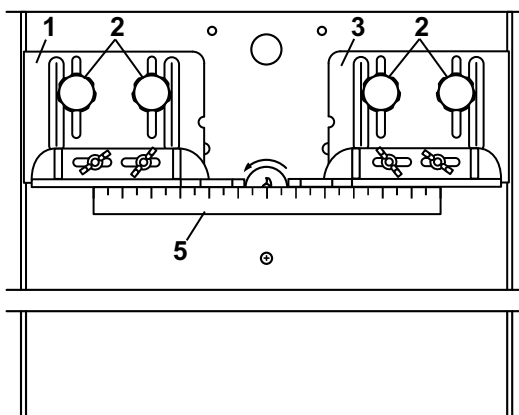


Figure 19
Figura 19

Pour simplifier, l'écran de protection n'est pas illustré.
Con fines de claridad no se ilustra la protección de seguridad.

- | | |
|-------------------------------------|---|
| 1. Guide gauche | 1. Barrera guía izquierda |
| 2. Poignées | 2. Botones |
| 3. Guide droit | 3. Barrera guía derecha |
| 4. Rotation du foret de toupilleuse | 4. Rotación de la broca de la fresadora |
| 5. Règle droite | 5. Regla recta |

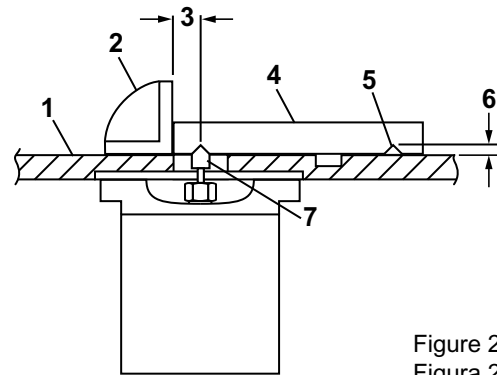


Figure 20
Figura 20

- | | |
|-------------------------|--------------------------|
| 1. Surface de la table | 1. Tablero de la mesa |
| 2. Guide droit | 2. Barrera guía derecha |
| 3. Profondeur de coupe | 3. Profundidad de corte |
| 4. Pièce travaillée | 4. Pieza de trabajo |
| 5. Coupe successive | 5. Corte sucesivo |
| 6. Profondeur de coupe | 6. Altura de corte |
| 7. Foret de toupilleuse | 7. Broca de la fresadora |

1. Desserrer les poignées qui maintiennent les guides en place. (Voir la figure 19 ci-dessous.)
2. Repérer le guide droit à la profondeur de coupe souhaitée (3, figure 20).
3. Serrer les poignées qui fixent le guide droit en place.
4. Placer la règle droite contre la face du guide droit.

REMARQUE : En effectuant ce réglage, le foret de toupilleuse peut gêner la règle droite. Si tel est le cas, abaisser le foret sous la surface de la table jusqu'à ce que les deux guides soient en position.

5. En utilisant la règle droite comme support, placer le guide gauche de façon à ce qu'il soit dans la même position que le guide droit
6. Basculer l'écran de protection sur le foret de toupilleuse.
7. Votre toupilleuse et votre table à toupie sont maintenant prêtes à utiliser.

REMARQUE : Ne pas oublier de toujours insérer la pièce travaillée dans la direction opposée à la rotation du foret. Tester sur du bois de récupération avant de procéder à des coupes définitives.

1. Afloje los botones que sujetan las barreras guía en su lugar. Consulte la Figura 19 más abajo.
2. Ubique la barrera guía derecha a la profundidad de corte deseada (3, Figura 20).
3. Apriete los botones que sujetan la barrera guía derecha en su lugar.
4. Coloque una regla recta contra la cara de la barrera guía derecha.

NOTA: Al hacer este ajuste, la broca de la fresadora puede interferir con la regla recta. Si esto ocurre, baje la broca por debajo de la superficie de la mesa hasta que ambas barreras guía queden ubicadas.

5. Utilizando la regla recta como guía, ubique la barrera guía izquierda de modo que esté pareja con la barrera guía derecha.
6. Gire la protección de seguridad sobre la broca de la fresadora.
7. Su fresadora / mesa de fresadora están listas para usarse.

NOTA: Recuerde siempre alimentar la pieza de trabajo en contra de la dirección de rotación de la broca de la fresadora. Haga la prueba en una madera de desperdicio antes de hacer los cortes finales.

Utiliser la toupilleuse comme une dégauchisseuse

Cómo usar la fresadora como ensambladora

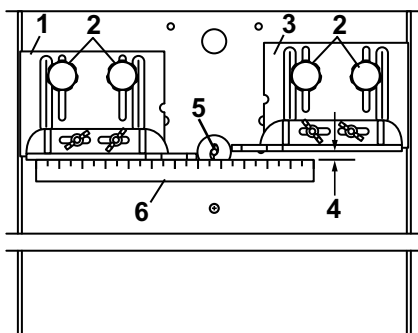


Figure 21
Figura 21

Pour simplifier, l'écran de protection n'est pas illustré.
Con fines de claridad no se ilustra la protección de seguridad.

- | | |
|-------------------------|---------------------------|
| 1. Guide gauche | 1. Barrera guía izquierda |
| 2. Poignées | 2. Botones |
| 3. Guide droit | 3. Barrera guía derecha |
| 4. Profondeur de coupe | 4. Altura de corte |
| 5. Foret de toupilleuse | 5. Broca de la fresadora |
| 6. Règle droite | 6. Regla recta |

REMARQUE : S'assurer que les planches assemblées le sont correctement et uniformément. Vérifier également que les bords sont correctement préparés.

- Desserrer les poignées qui maintiennent les guides en place. Voir la figure 21.
- Placer une règle droite contre le guide gauche.
- Glisser le guide jusqu'à ce que la règle droite touche le diamètre extérieur du foret de toupilleuse.
- Serrer les poignées du guide gauche.
- Positionner le guide droit pour la profondeur de coupe souhaitée.
- Serrer les poignées du guide droit.
- Serrer fermement le foret de toupilleuse et s'assurer que la toupilleuse est correctement assemblée à la table à toupie, tel qu'il a été expliqué précédemment dans ce manuel.
- Basculer l'écran de protection sur le foret de toupilleuse.
- Votre toupilleuse et votre table à toupie sont maintenant prêtes à utiliser.

REMARQUE : Essayer sur du bois de récupération pour vérifier la précision des ajustements. En se tenant face à la table à toupie, insérer la pièce à travailler de droite à gauche.

NOTA: Asegúrese que las tablas que se van a ensamblar juntas estén exactas y planas. También asegúrese que los cantos estén preparados adecuadamente.

- Afloje los botones que sujetan las barreras guía en su lugar. Consulte la Figura 21.
- Coloque una regla recta contra la barrera guía izquierda.
- Deslice la barrera guía hasta que la regla recta toque el diámetro exterior de la broca de la fresadora.
- Apriete los botones de la barrera guía izquierda.
- Coloque la barrera guía derecha a la profundidad de corte deseada.
- Apriete los botones de la barrera guía derecha.
- Apriete firmemente la broca de la fresadora y asegúrese que la fresadora está armada a la mesa adecuadamente como antes se detalló en este manual.
- Gire la protección de seguridad sobre la broca de la fresadora.
- Su fresadora / mesa de fresadora están listas para usarse.

NOTA: Pruebe con una madera de desperdicio para verificar que el ajuste es correcto. Estando parado enfrente de la mesa de fresadora, alimente la pieza de trabajo de derecha a izquierda.

Utiliser des forets guidés par roulement à billes

Cómo utilizar brocas guiadas con rodamiento de bolas

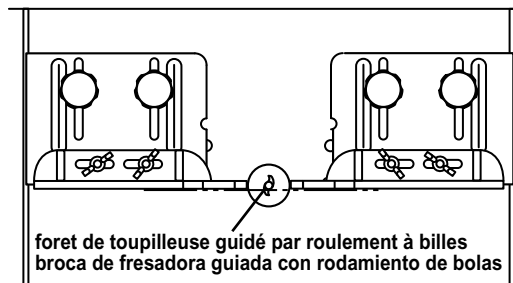


Figure 22
Figura 22

AVERTISSEMENT Afin de réduire le risque de blessure, s'assurer que les guides sont aussi proches que possible du foret guidé par roulement à billes. Déplacer l'arrière des guides SEULEMENT suffisamment pour permettre au guide par roulement à billes de contrôler la profondeur de la coupe. Voir la figure 22.

ADVERTENCIA Para ayudarlo a reducir la posibilidad de lesiones, asegúrese que las barreras guía están tan cerca como sea posible de la guía con rodamiento de bolas de la broca de la fresadora. Mueva las barreras guía hacia atrás SOLAMENTE lo suficiente para permitir que la guía con rodamiento controle la profundidad de corte. Consulte la Figura 22.

Couper sans guide et/ou protection Cómo cortar sin barreras guía y / o la protección

AVERTISSEMENT Utiliser la toupilleuse sans l'écran de protection et le guide en place peut provoquer de graves blessures. Prendre d'extrêmes précautions. Utiliser la toupilleuse sans écran de protection et de guide SEULEMENT en cas de nécessité absolue et toujours avec des forets de toupilleuse guidés par roulement à billes.

AVERTISSEMENT Toujours insérer la pièce travaillée dans la direction opposée à la rotation du foret. Débrancher la toupilleuse avant de changer le foret, de modifier les paramètres ou d'effectuer tout autre ajustement.

Pour certains travaux il est nécessaire d'écartier la protection en la tournant et d'enlever les guides. Voir la figure 23.

Si le morceau de bois toupillé se trouve entre l'utilisateur et le foret, le faire avancer de DROITE à GAUCHE. Ne pas oublier de toujours insérer la pièce travaillée dans la direction opposée à la rotation du foret. Voir la figure 24.

Si le foret de toupilleuse se trouve entre l'utilisateur et le morceau de bois toupillé, le faire avancer de GAUCHE à DROITE. Toujours insérer la pièce à l'opposé de la rotation du foret. Voir la figure 25.

Des morceaux de récupération permettront de stabiliser et soutenir davantage une petite pièce à travailler ou les extrémités de grandes pièces à toupiller. Voir la figure 26.

ADVERTENCIA Usar la fresadora sin la protección de seguridad y las barreras guía en su lugar puede conducir a lesiones personales graves. Tenga precaución extrema. Opere la fresadora sin la protección de seguridad y las barreras guía SOLAMENTE cuando sea absolutamente necesario y siempre con brocas para fresadora del tipo guiadas con rodamiento de bolas.

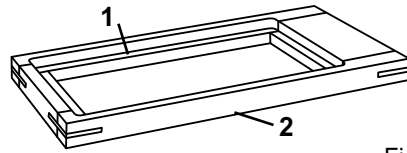
ADVERTENCIA Alimente la pieza de trabajo en contra de la dirección de rotación de la broca de la fresadora. Desenchufe la fresadora antes de cambiar la broca, modificar las condiciones o hacer cualquier otro ajuste.

Algunos trabajos requieren que gire la protección de seguridad fuera del camino y quitar las barreras guía. Consulte la Figura 23.

Si la pieza de madera que está fresando está entre usted y la broca de la fresadora, alimente de DERECHA a IZQUIERDA. Recuerde de siempre alimentar la pieza de trabajo en contra de la dirección de rotación de la broca de la fresadora. Consulte la Figura 24.

Si la broca de la fresadora está entre usted y la pieza de madera que se está fresando, entonces alimente de IZQUIERDA a DERECHA. Siempre alimente la pieza de trabajo contra la rotación de la broca. Consulte la Figura 25.

Los pedazos de desperdicio proporcionan estabilidad y soporte adicionales al fresar piezas de trabajo pequeñas o los extremos de piezas de trabajo grandes. Consulte la Figura 26.



1. Coupe de toupilleuse intérieure
2. Fenêtre
1. Corte interior con fresadora
2. Ventana

Figure 23
Figura 23

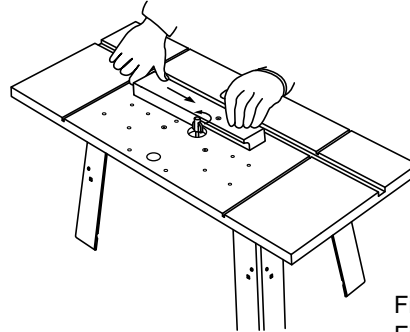


Figure 24
Figura 24

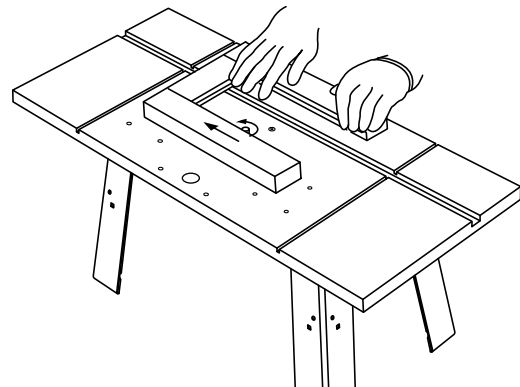
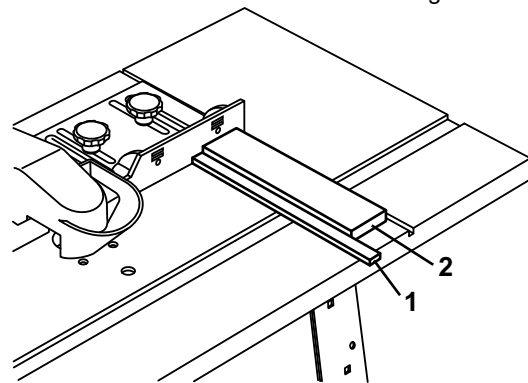


Figure 25
Figura 25



1. Petite pièce à travailler
2. Morceau de récupération
1. Pieza de trabajo pequeña
2. Pedazo de desperdicio

Figure 26
Figura 26

OPTIONS/OPCIONES / ACCESSOIRES/ACCESORIOS

Utilisation des rabats à lamelles Cómo usar las aletas de las tablas de sujeción

Les rabats à lamelles (P) servent à soutenir la pièce à travailler en la maintenant fermement pour diminuer les vibrations et les rebonds. Insérer les rabats à lamelles dans les guides. Voir la figure 27.

Las aletas de la tabla de sujeción (P) proporcionan soporte para su pieza de trabajo sujetando la pieza firmemente para ayudar a minimizar vibración y contragolpe. Inserte las aletas de la tabla de sujeción en las barreras guía. Consulte la Figura 27.

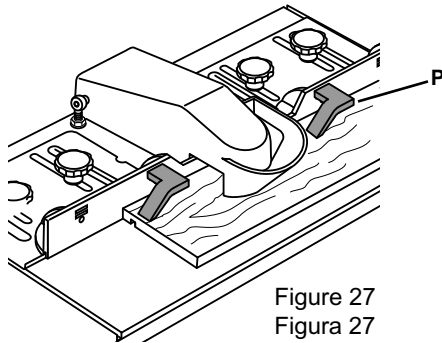


Figure 27
Figura 27

Guide monocoque Barrera guía unificada

Il est possible de créer un guide monocoque pour toupiller des pièces plus hautes. La table à toupie est conçue pour accepter une planche de plus de 4 pouces de haut. Procéder comme suit pour fabriquer un guide monocoque :

1. Prendre une planche droite de 3/4 -1 po d'épaisseur jusqu'à 4 pouces de hauteur.
2. Placer la planche contre les guides et marquer l'emplacement des trous dans les guides.
3. Percer et fraiser la planche pour loger le matériel (non inclus) et fixer la planche aux guides.
4. Fixer solidement la planche sur les guides.
5. Desserrer les poignées sur les guides, mettre la toupilleuse en MARCHE et passer la planche dans le foret de toupilleuse pour créer une découpe exacte de votre foret dans le guide. Au cas où une exposition plus grande du foret s'avère nécessaire, faire si besoin est, une entaille dans la planche.

Se puede crear una barrera guía unificada para hacer posible fresar piezas de trabajo más altas. La mesa de fresadora se diseñó para aceptar tablas de hasta 4 pulgadas de ancho. Para hacer una barrera guía unificada, haga lo siguiente:

1. Obtenga una tabla derecha de 3/4-1 pulgada de espesor de hasta 4 pulgadas de alto.
2. Coloque la tabla contra las barreras guía y marque la ubicación de los orificios en las barreras guía.
3. Taladre y avellane la tabla para acomodar los accesorios (no incluidos) para fijar la tabla a las barreras guía.
4. Fije la tabla firmemente a las barreras guía.
5. Afloje los botones de las barreras guía, encienda (posición ON) la fresadora y pase la tabla a través de lo broca de fresadora para crear un recorte exacto de su broca en la barrera guía. Si se necesita una mayor exposición de broca, haga la ranura necesaria en la tabla.

Ajuster les guides coulissants Cómo ajustar las correderas de la barrera guía

Il est possible de rapprocher les guides coulissants du foret de toupilleuse afin de mieux soutenir la pièce travaillée. Pour replacer les guides coulissants, desserrer les écrous à oreilles, rapprocher les guides du foret de toupilleuse et serrer les écrous à oreilles solidement. NE PAS laisser les guides coulissants toucher le foret de toupilleuses. Voir la figure 28.

Las correderas de la barrera guía se pueden colocar más cerca de la broca para proporcionar un mejor soporte de la pieza de trabajo. Para cambiar la posición de las correderas de la barrera guía, afloje las tuercas de mariposa, cambie las correderas a una posición más cercana a la broca y apriete firmemente las tuercas de mariposa. NO permita que las correderas de la barrera guía toquen la broca de la fresadora. Consulte la Figura 28.

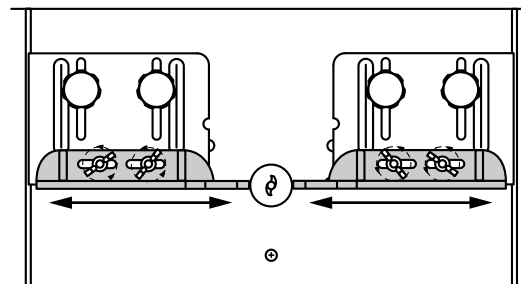
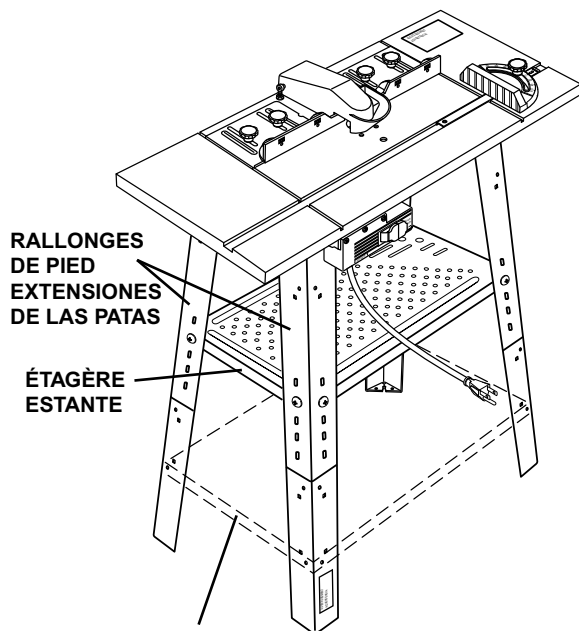


Figure 28
Figura 28

Monter les pieds de sol en option Montaje opcional de patas para el piso

Une trousse (119 800 451) est disponible auprès de wolcraft® permettant le montage des rallonges de pied et les étagères sur votre table à toupie, comme illustré. Il est possible de régler la hauteur des rallonges de pied de 32 à 38 po. En plus du plateau à outil/étagère en acier fournis avec la trousse, il est possible de fabriquer une étagère basse en coupant une planche et en la fixant aux morceaux courts des rallonges. Voir la figure 29.

Se puede obtener de Wolcraft® un juego (119 800 451) que permite el montaje de extensiones a las patas y estantes a su mesa de fresadora como se muestra. Las extensiones de las patas son ajustables en su altura de 32 a 38 pulgadas. Además de la bandeja de herramientas estante / estante proporcionado con el juego, se puede crear un segundo estante más bajo cortando una tabla y fijándola a las piezas de extensión de las patas cortas. Consulte la Figura 29.



DEUXIÈME ÉTAGÈRE OPTIONNELLE
SEGUNDO ESTANTE OPCIONAL

Figure 29
Figura 29

Monter un outil de bricolage rotatif Dremel™ (non inclus)

Augmenter les capacités de votre outil Dremel™ en le montant sur la table à toupie wolcraft® en procédant comme suit.

REMARQUE : Pour monter votre outil Dremel™, il est nécessaire d'acheter la trousse de fixation de toupilleuse no 330 séparément.

1. Fixer l'outil de bricolage rotatif Dremel™ à l'assemblage du porte-outil de la trousse de fixation de toupilleuse Dremel™ no 330 comme il est indiqué dans le manuel d'utilisation de la trousse de fixation de toupilleuse. Voir la figure 30.

2. Fixer l'assemblage d'outil de bricolage sur la table à toupie à l'aide des vis de fixation d'équerre de la trousse no 330.

3. Desserrer les écrous à oreilles sur les guides coulissants et les rapprocher du plus petit foret Dremel™ pour mieux soutenir la pièce travaillée. NE PAS laisser les guides coulissants toucher le foret de toupilleuses.

Cómo montar un Dremel™ rotativo Herramienta de pasatiempo (no incluida)

Extiende las posibilidades de su herramienta Dremel™ montándola a la mesa de fresadora como sigue:

NOTA: Para montar su herramienta Dremel™, por separado se debe comprar el juego de accesorio para fresadora Dremel™ #330.

1. Instale la herramienta rotativa para pasatiempos Dremel™ al conjunto soporte de herramienta del juego de accesorio para fresadora Dremel™ # 330 como se indica en el manual del propietario. Consulte la Figura 30.

2. Fije el conjunto de herramienta para pasatiempos a la mesa de fresadora utilizando los tornillos de montaje del juego de accesorio para fresadora # 330.

3. Para obtener mejor soporte de la pieza de trabajo, afloje las tuercas de mariposa de las correderas de la barrera guía y muévalas más cerca de la broca Dremel™ para fresadora que es más chica. NO permita que las correderas de la barrera guía toquen la broca de la fresadora.

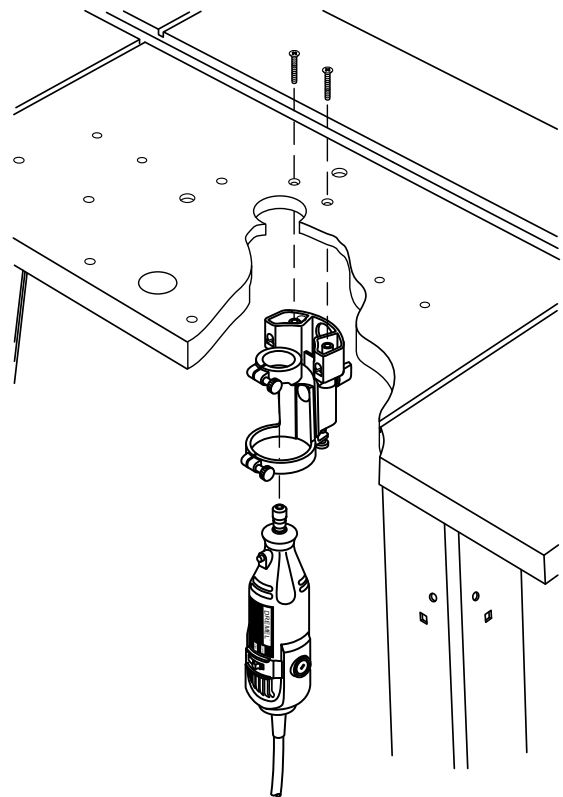
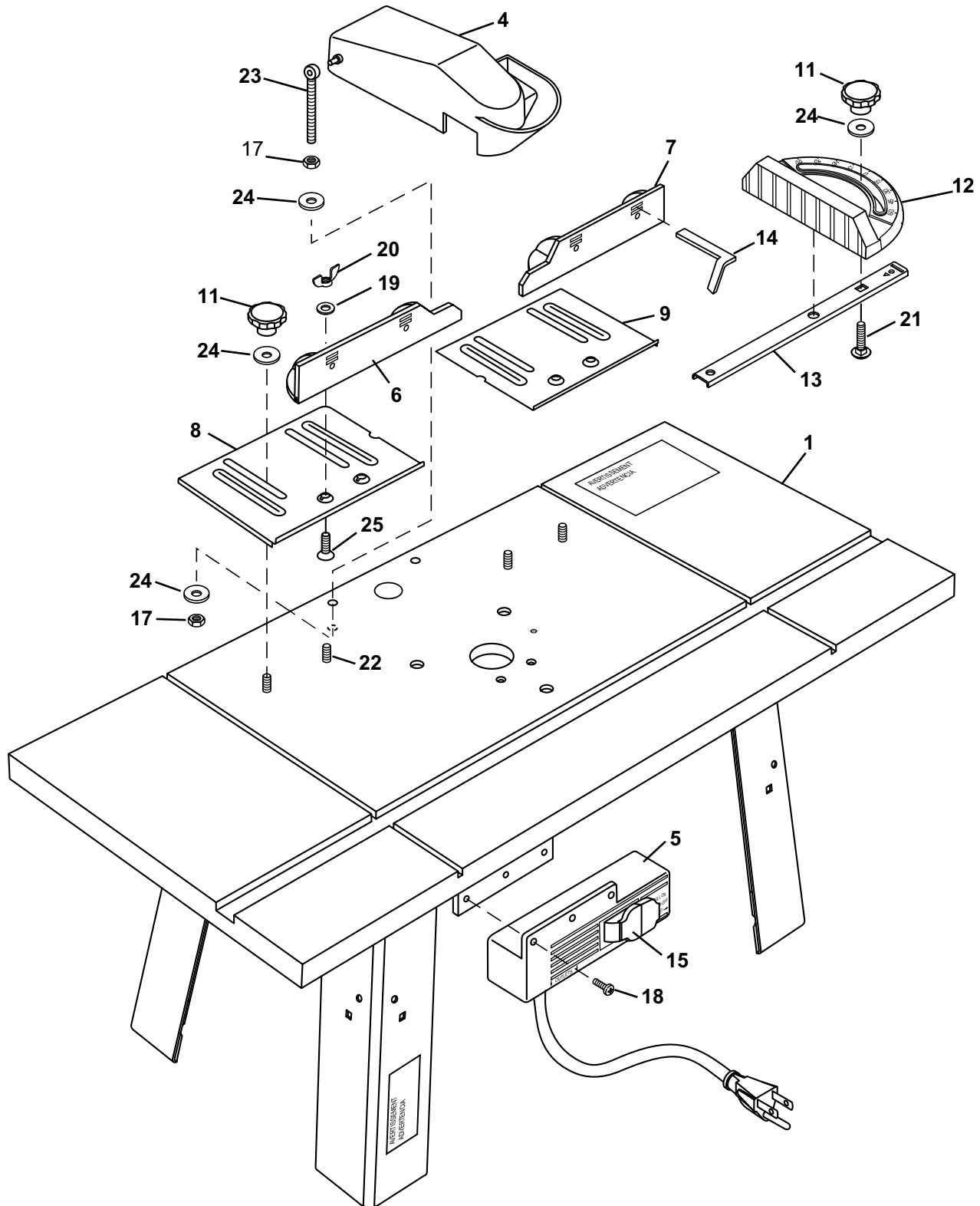


Figure 30
Figura 30

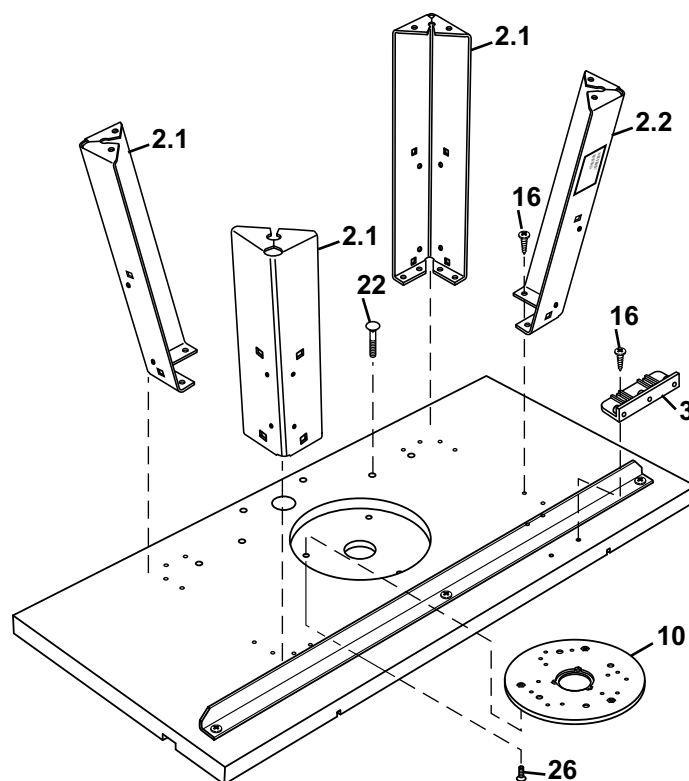
PIÈCES DE RECHANGE Table à toupie 6157

PIEZAS PARA REPARACIÓN Mesa de fresadora 6157



PIÈCES DE RECHANGE Table à toupie 6157

PIEZAS PARA REPARACIÓN Mesa de fresadora 6157



CLÉ N° CLAVE No.	ARTICLE ARTÍCULO	PIÈCE No PIEZA No.	DESCRIPTION DESCRIPCIÓN	QTÉ CANT.
1	A	119 900 808	Surface de la table/Tabletero de la mesa	1
2.1	B-1	117 020 211	Pied/Pata	3
2.2	B-2	119 900 012	Pied, avant gauche/Pata, frente izquierdo	1
3	C	116 620 258	Équerre de boîte d'interrupteur/Soporte de caja del interruptor	1
4	D	116 620 256	Écran de protection/Protección de seguridad	1
5	E	117 920 107	Boîte d'interrupteur/Caja del interruptor	1
6	F	116 620 254	Guide, gauche/Barrera guía, izquierda	1
7	G	116 620 253	Guide, droit/Barrera guía, derecha	1
8	H	117 020 215	Base du guide, gauche/Base de barrera guía, izquierda	1
9	J	117 020 214	Base du guide, droit/Base de barrera guía, derecha	1
10	K	116 620 255	Plaque de base adaptatrice/Placa base adaptadora	1
11	L	116 670 012	Poignée/Botón	5
12	M	116 600 134	Tête du guide à onglets/Cabeza de la guía de ingletes	1
13	N	117 040 133	Barre à onglets/Barra para ingletes	1
14	P	116 620 257	Rabat à lamelles/Aleta de sujeción	2
15		116 620 275	Clé de sécurité/Llave de seguridad	1
16	Q	116 710 098	Vis à tête cylindrique bombée/Tornillo de cabeza cónica achatada (M6x20)	18
17	T	116 730 125	Écrou hexagonal/Tuerca hexagonal (M6)	4
18	V	116 700 076	Vis à tête cylindrique bombée/Tornillo de cabeza cónica achatada (M5x20)	3
19	X	116 730 131	Rondelle/Rondana (M6)	4
20	Y	116 730 123	Écrou à oreilles/Tuerca de mariposa (M6)	4
21	Z	116 700 066	Boulon de carrosserie/Tornillo de coche (M6x30)	1
22	R	116 700 067	Boulon de carrosserie/Tornillo de coche (M6x35)	4
23	S	116 700 075	Boulon à œil/Armella (M6x55)	2
24	U	116 730 132	Boulon à tête plate fraisée/Tornillo cabeza plana para avellanar (M6x20)	9
25	W	116 700 073	Rondelle/Rondana (M6)	4

Sac de matériel 2 Sac de matériel 1
Bolsa 2 para accesorios Bolsa 1 para accesorios
#119 900 861 #119 900 860

NOTES / NOTAS

NOTES / NOTAS

NOTES / NOTAS

wolfcraft[®]

OWNER'S
MANUAL
MODEL NO.
6157

MANUEL
D'UTILISATION
MODÈLE N^o.
6157

MANUAL DEL
PROPIETARIO
MODELO NO.
6157

116 310 342, 08/03

wolfcraft, Inc., Addison, IL 60101 USA

To register your product, please visit our website at:
or complete the form below and mail or fax to:

www.wolfcraft.com
wolfcraft, Inc.
333 Swift Road
Addison, IL 60101 USA
630-773-4805 (fax)
630-773-4777 (phone)

PRODUCT REGISTRATION CARD			
CARTE DE GARANTIE DU PRODUIT/TARJETA DE PRODUCTO DE LA GARANTÍA			
Please complete the information and return within 30 days of purchase. Information marked * is required for warranty registration. Veuillez remplir la carte de garantie ci-jointe et la retourner dans les 30 jours suivant la date d'achat. Il est nécessaire de donner les renseignements indiqués * pour l'enregistrement de la garantie. Sirvase completar la información y devolver dentro de los 30 días a partir de la compra. La información marcada * se requiere para el registro de la garantía.			
CONFIDENTIALITY GUARANTEE / GARANTIE DE CONFIDENTIALITÉ / GARANTÍA DE CONFIDENCIALIDAD Your information will be kept confidential and will not be shared with or sold to any other company. Vos renseignements personnels resteront confidentiels et ne seront pas diffusés ou vendus à d'autres compagnies. Su información de mantendrá confidencial y no se compartirá con o vender a otra compañía.			
NAME * NOM/NOMBRE	_____	Sex Sex/Sexo	M F
STREET ADDRESS * ADRESSE/DIRECCIÓN	_____		
CITY * VILLE/CIUDAD	STATE * ÉTAT/ESTADO	ZIP * ZIP/ZONA POSTAL	
PHONE * TÉLÉPHONE/TELÉFONO	EMAIL COURRIEL/EMAIL		
I want to receive information on wolfcraft products via email. Je souhaite recevoir de l'information sur les produits Wolfcraft par courrier électronique. <input type="checkbox"/> Yes <input type="checkbox"/> No Deseo recibir información sobre los productos wolfcraft por email. <input type="checkbox"/> Oui/Si <input type="checkbox"/> Non/No			
What is your preferred language? English Français Español Other _____ Dans quelle langue préférez-vous communiquer? / ¿Cuál es su idioma preferido?			
MODEL NUMBER (from package) * MODÈLE NUMÉRO (du packet) / MODELO NÚMERO (del paquete)	_____ 6157 _____		
AGE ÂGE / EDAD	ANNUAL INCOME REVENUS ANNUELS / INGRESO ANUAL	SKILL LEVEL NIVEAU DE QUALIFICATION / NIVEL DE DESTREZA	
<input type="checkbox"/> < 21 <input type="checkbox"/> 46-55	<input type="checkbox"/> < \$30,000	<input type="checkbox"/> Beginner/Débutant/Principiante	
<input type="checkbox"/> 21-35 <input type="checkbox"/> 56-65	<input type="checkbox"/> \$30-\$75,000	<input type="checkbox"/> Intermediate/Intermédiaire/Intermedio	
<input type="checkbox"/> 36-45 <input type="checkbox"/> > 65	<input type="checkbox"/> > \$75,000	<input type="checkbox"/> Expert/Spécialiste/Experto	
Date Purchased: * Date d'achat/Fecha de compra	Day * Jour/Día	Month * Mois/Mes	Year * Année/Año
Store Name * Nom de magasin/Nombre de la tienda	Store Location * Emplacement du magasin/Ubicación de la tienda		
Retail Price Paid \$ _____ Prix de détail payé/Precio al público pagado			
Why was this product purchased? <input type="checkbox"/> Professional Use <input type="checkbox"/> Personal Use <input type="checkbox"/> Gift Pour quelles raisons le produit a-t-il été acheté? Usage professionnel/Usos profesional Usage personnel/Usos personal Cadeau/Regalo ¿Por qué se compró el producto? <input type="checkbox"/> Other: _____ Autre/Otro			
Why did you select this product? (You may mark more than one reason.) Pour quelles raisons avez-vous choisi ce produit? (Vous pouvez indiquer plusieurs raisons.) ¿Por qué seleccionó este producto? (Puede marcar más de una razón.)			
<input type="checkbox"/> Appearance Aspect Apariencia	<input type="checkbox"/> Brand Name Nom de la marque Marca	<input type="checkbox"/> Store Recommendation Recommandation du magasin Recomendación de la tienda	<input type="checkbox"/> Own Other wolfcraft Products Possédez-vous d'autres produits wolfcraft Tengo otros productos wolfcraft
<input type="checkbox"/> Price Prix Precio			
Special Features (which ones?): Caractéristiques spéciales (lesquelles?) Características especiales (¿Cuáles?) Other: _____ Autre/Otro			
For what specific projects do you intend to use this product? Pour quel projet spécifique avez-vous l'intention d'utiliser ce produit? ¿Para qué proyectos específicos intenta usar este producto?			
How would you rate our assembly instructions? Comment évaluez-vous nos instructions d'assemblage? ¿Cómo calificaría nuestras instrucciones de montaje?			
<input type="checkbox"/> Excellent Excellentes Excelentes	<input type="checkbox"/> Good Bonnes Buenas	<input type="checkbox"/> Fair Passables Aceptables	<input type="checkbox"/> Poor Médiocres Insuficientes

wolfcraft[®]

OWNER'S
MANUAL
MODEL NO.
6157

MANUEL
D'UTILISATION
MODÈLE N^o.
6157

MANUAL DEL
PROPIETARIO
MODELO NO.
6157

116 310 342, 08/03

wolfcraft, Inc., Addison, IL 60101 USA

Free Manuals Download Website

<http://myh66.com>

<http://usermanuals.us>

<http://www.somanuals.com>

<http://www.4manuals.cc>

<http://www.manual-lib.com>

<http://www.404manual.com>

<http://www.luxmanual.com>

<http://aubethermostatmanual.com>

Golf course search by state

<http://golfingnear.com>

Email search by domain

<http://emailbydomain.com>

Auto manuals search

<http://auto.somanuals.com>

TV manuals search

<http://tv.somanuals.com>