

# WOODS

## 111876 LOADER MOUNTING KIT

**Loaders**

**1020**

**1027**

mounting to

**Ford New Holland  
Tractor Models**

**2810, 2910, 3910 FWA**

**3230, 3430, 3930, 4610,**

**4630 2WD & FWA**

**4000, 4100, 4110, 4600,**

**4610 All-Purpose 2WD**

Includes

**Valve Kit  
46675**

**Hose Kits  
57923  
1001420**

**MAN0063**

**WOODS®**

## TO THE DEALER:

Assembly and proper installation of this product is the responsibility of the WOODS dealer. Read manual instructions and safety rules. Make sure all items on the Dealer's Pre-Delivery and Delivery Check Lists in the Operator's Manual are completed before releasing equipment to the owner.

## TO THE OWNER:

Read this manual before operating your WOODS equipment. The information presented will prepare you to do a better and safer job. Keep this manual handy for ready reference. Require all operators to read this manual carefully and become acquainted with all the adjustment and operating procedures before attempting to operate. Replacement manuals can be obtained from your dealer or, in the United States and Canada, by calling 1-800-319-6637.

The equipment you have purchased has been carefully engineered and manufactured to provide dependable and satisfactory use. Like all mechanical products, it will require cleaning and upkeep. Lubricate the unit as specified. Observe all safety information in this manual and safety decals on the equipment.

For service, your authorized WOODS dealer has trained mechanics, genuine WOODS service parts, and the necessary tools and equipment to handle all your needs.

Use only genuine WOODS service parts. Substitute parts will void the warranty and may not meet standards required for safe and satisfactory operation. Record the model number and serial number of your equipment in the spaces provided:

**Model: 111876 Loader Mounting Kit**

Provide this information to your dealer to obtain correct repair parts.

Throughout this manual, the term **IMPORTANT** is used to indicate that failure to observe can cause damage to equipment. The terms **CAUTION**, **WARNING** and **DANGER** are used in conjunction with the Safety-Alert Symbol, (a triangle with an exclamation mark), to indicate the degree of hazard for items of personal safety.



This Safety-Alert Symbol indicates a hazard and means **ATTENTION! BECOME ALERT! YOUR SAFETY IS INVOLVED!**



Indicates an imminently hazardous situation that, if not avoided, will result in death or serious injury.



Indicates a potentially hazardous situation that, if not avoided, could result in death or serious injury, and includes hazards that are exposed when guards are removed.



Indicates a potentially hazardous situation that, if not avoided, may result in minor or moderate injury.

**IMPORTANT**

Indicates that failure to observe can cause damage to equipment.

**NOTE**

Indicates helpful information.

**WOODS  
GANNON  
ALLOWAY  
GILL  
GANNONBMP  
WAIN ROY  
CF  
ALITEC**

**WOODS®**



# SAFETY RULES

**ATTENTION! BECOME ALERT! YOUR SAFETY IS INVOLVED!**



Safety is a primary concern in the design and manufacture of our products. Unfortunately, our efforts to provide safe equipment can be wiped out by an operator's single careless act.

In addition to the design and configuration of equipment, hazard control and accident prevention are dependent upon the awareness, concern, judgement, and proper training of personnel involved in the operation, transport, maintenance and storage of equipment.

It has been said "The best safety device is an informed, careful operator." We ask you to be that kind of operator.

## INSTALLATION

- During installation, the tractor engine should be off, the key removed and the brakes locked. Do not disconnect hydraulic lines until attachments are removed or lowered to the ground and system pressure is released by operating valve levers. Never operate any hydraulic cylinders during any phase of the installation process.
- This Loader Mounting Kit is to be used only for the loaders and tractors specified in the Loader Mount Installation section of this manual. Any other use or modification of this mounting kit may result in serious injury or death.
- Hydraulics must be connected as instructed in this manual. Do not substitute parts, modify, or connect in any other way.
- After connecting hoses, check that all control lever positions function as instructed in the Operator's Manual. Do not put into service until control lever and equipment movements are correct.

## TRAINING

- Safety instructions are important! Read all attachment and power unit manuals; follow all safety rules and safety decal information. (Replacement manuals are available from dealer or, in the United States and Canada, call 1-800-319-6637.) Failure to follow instructions or safety rules can result in serious injury or death.
- If you do not understand any part of this manual and need assistance, see your dealer.

- Know your controls and how to stop engine and attachment quickly in an emergency.
- Keep hands and body away from pressurized lines. Use paper or cardboard, not hands or other body parts to check for leaks. Wear safety goggles. Hydraulic fluid under pressure can easily penetrate skin and will cause serious injury or death.
- Make sure that all operating and service personnel know that if hydraulic fluid penetrates skin, it must be surgically removed as soon as possible by a doctor familiar with this form of injury or gangrene, serious injury, or death will result. **CONTACT A PHYSICIAN IMMEDIATELY IF FLUID ENTERS SKIN OR EYES. DO NOT DELAY.**
- Never allow children or untrained persons to operate equipment.

## PREPARATION

- Check that all hardware is properly installed. Always tighten to torque chart specifications unless instructed otherwise in this manual.
- Air in hydraulic systems can cause erratic operation and allows loads or equipment components to drop unexpectedly. When connecting equipment or hoses or performing any hydraulic maintenance, purge any air in hydraulic system by operating all hydraulic functions several times. Do this before putting into service or allowing anyone to approach the equipment.
- After connecting hoses, check that all control lever positions function as instructed in the Operator's Manual. Do not put into service until control lever and equipment movements are correct.
- Protective hose sleeves must cover all hydraulic hoses and be secured onto metal hose fittings. Replace hoses or sleeves if damaged or if protective sleeve cannot be properly positioned or secured.
- Make sure all hydraulic hoses, fittings, and valves are in good condition and not leaking before starting power unit or using equipment. Check and route hoses carefully to prevent damage. Hoses must not be twisted, bent sharply, kinked, frayed, pinched, or come into contact with any moving parts. Operate moveable components through full operational range to check clearances. Replace any damaged hoses immediately.

*(Safety Rules continued on next page)*



# SAFETY RULES

**ATTENTION! BECOME ALERT! YOUR SAFETY IS INVOLVED!**



*(Safety Rules continued from previous page)*

- Do not connect a low-pressure hydraulic hose into a high-pressure system—it will burst the hose. Do not use a high-pressure hose in place of a low-pressure hose—it is possible to rupture the valve.
- Always wear relatively tight and belted clothing to avoid entanglement in moving parts. Wear sturdy, rough-soled work shoes and protective equipment for eyes, hair, hands, hearing, and head.
- Make sure attachment is properly secured, adjusted, and in good operating condition.
- Power unit must be equipped with ROPS or ROPS cab and seat belt. Keep seat belt securely fastened. Falling off power unit can result in death from being run over or crushed. Keep foldable ROPS systems in “locked up” position at all times.
- Whenever 3-point implements are attached to tractor, always check full range of operation for mechanical or hydraulic hose interference.
- Make sure all safety decals are installed. Replace if damaged. (See Safety Decals section for location.)
- Make sure shields and guards are properly installed and in good condition. Replace if damaged.

## OPERATION

- Do not allow bystanders in the area when operating, attaching, removing, assembling, or servicing equipment.
- Keep bystanders away from equipment.
- Do not operate equipment while under the influence of alcohol or drugs.
- Always comply with all state and local lighting and marking requirements.
- Never allow riders. Do not lift or carry anybody on the loader or in the bucket or attachments.
- Power unit must be equipped with ROPS or ROPS cab and seat belt. Keep seat belt securely fastened. Falling off power unit can result in death from being run over or crushed. Keep foldable ROPS systems in “locked up” position at all times.
- Always sit in power unit seat when operating controls or starting engine. Securely fasten seat belt, place transmission in neutral, engage brake, and ensure all other controls are disengaged before starting power unit engine.

- Before dismounting power unit or performing any service or maintenance, follow these steps: disengage power to equipment, lower the 3-point hitch and all raised components to the ground, operate valve levers to release any hydraulic pressure, set parking brake, stop engine, remove key, and unfasten seat belt.

- Never work under a raised loader. Always lower loader to the ground with bucket or loader attachment in full roll-back position. Shut off tractor, set parking brake, and remove key. Operate valve levers to release any hydraulic pressure. If loader obstructs tractor maintenance, loader must be removed from tractor.

## MAINTENANCE

- Before dismounting power unit or performing any service or maintenance, follow these steps: disengage power to equipment, lower the 3-point hitch and all raised components to the ground, operate valve levers to release any hydraulic pressure, set parking brake, stop engine, remove key, and unfasten seat belt.

- Never work under a raised loader. Always lower loader to the ground with bucket or loader attachment in full roll-back position. Shut off tractor, set parking brake, and remove key. Operate valve levers to release any hydraulic pressure. If loader obstructs tractor maintenance, loader must be removed from tractor.

- Refer to loader manual and follow all maintenance safety rules and instructions.

- Do not modify or alter or permit anyone else to modify or alter the equipment or any of its components in any way.

- Your dealer can supply original equipment hydraulic accessories and repair parts. Substitute parts may not meet original equipment specifications and may be dangerous.

- Always wear relatively tight and belted clothing to avoid entanglement in moving parts. Wear sturdy, rough-soled work shoes and protective equipment for eyes, hair, hands, hearing, and head.

- Do not allow bystanders in the area when operating, attaching, removing, assembling, or servicing equipment.

- Make sure attachment is properly secured, adjusted, and in good operating condition.

# SAFETY RULES



**ATTENTION! BECOME ALERT! YOUR SAFETY IS INVOLVED!**



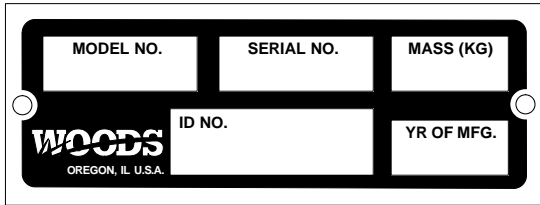
- Keep all persons away from operator control area while performing adjustments, service, or maintenance.
- Tighten all bolts, nuts and screws to torque chart specifications. Check that all cotter pins are installed securely to ensure equipment is in a safe condition before putting unit into service.
- Make sure all safety decals are installed. Replace if damaged. (See Safety Decals section for location.)
- Make sure shields and guards are properly installed and in good condition. Replace if damaged.
- Do not disconnect hydraulic lines until all system pressure is relieved. Lower unit to ground, stop engine, and operate all hydraulic control levers.



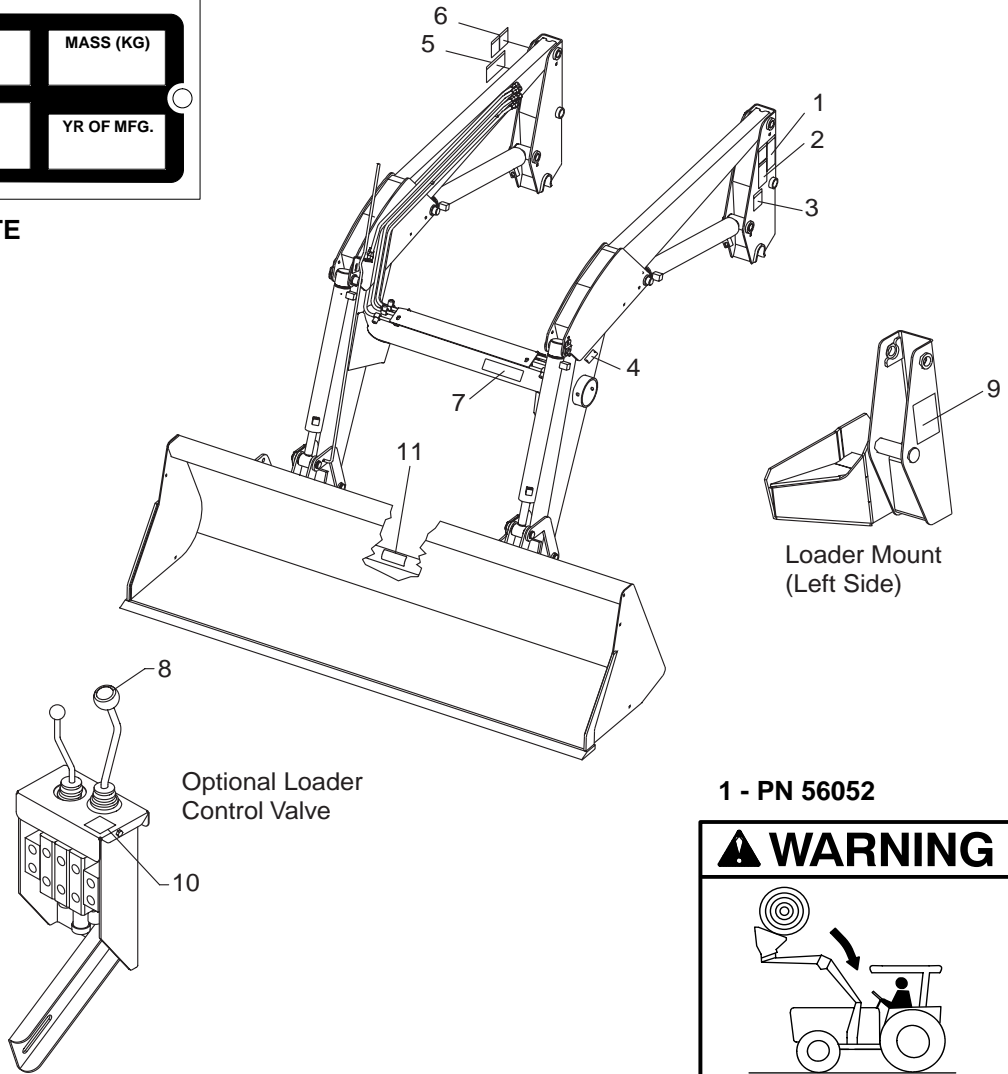
# SAFETY & INSTRUCTIONAL DECALS

**ATTENTION! BECOME ALERT! YOUR SAFETY IS INVOLVED!**

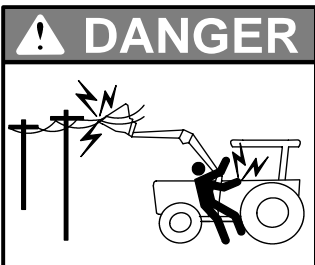
**Replace Immediately If Damaged!**



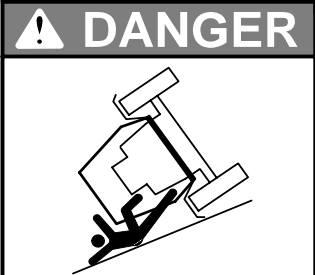
4 - SERIAL NUMBER PLATE



2 - PN 56053



**⚠ DANGER**  
Serious injury or death can result from contact with electrical lines.



**⚠ DANGER**  
**ROLLOVERS CAN RESULT IN INJURY OR DEATH**

- Always use ROPS and seat belt.
- Add rear tractor ballast.
- Move wheels to widest setting.
- Avoid slope operation.
- Operate at low speeds.
- Carry load low.

56053-A

3 - PN 56051

**⚠ WARNING**

- Read and understand Operator's Manual before operating. (Replacement manuals are available from dealer or, in the United States and Canada, call 1-800-319-6637.)
- Keep others away when operating loader.
- Do not allow children or untrained persons to operate equipment.
- Lower loader to ground, stop engine, set park brake and remove key before leaving tractor seat.
- Failure to follow safety rules can result in serious injury or death.

56051-A

Loader Mount (Left Side)

1 - PN 56052



**⚠ WARNING**  
**FALLING LOAD HAZARD**

To avoid injury or death

- Do not handle round bale or other shiftable load unless loader is equipped with approved attachments. (Read Operator's Manual.)
- Lift and carry only one bale at a time.
- Handle raised load with caution.
- Carry load low. 56052-A

(Safety Decals continued on next page)



# SAFETY & INSTRUCTIONAL DECALS

## ATTENTION! BECOME ALERT! YOUR SAFETY IS INVOLVED!

### Replace Immediately If Damaged!



(Safety Decals continued from previous page)

6 - PN 56050

<h3 style="margin: 0;">WARNING</h3> <p><b>CRUSHING HAZARD</b></p> <p>To avoid injury or death:</p> <ul style="list-style-type: none"> <li>■ Do not walk or work underneath a raised loader.</li> <li>■ Lower loader to ground before leaving tractor seat.</li> </ul>	<h3 style="margin: 0;">WARNING</h3> <p><b>FALLING HAZARD</b></p> <p>To avoid injury or death:</p> <ul style="list-style-type: none"> <li>■ Do not work from or allow riders on loader or its attachments.</li> </ul> <p style="text-align: right; font-size: small;">56050-A</p>
---	--

**LOADER MOUNTING INSTRUCTIONS**

Read Operator's Manual instructions before proceeding.

**To Remove Loader**

1. Park tractor on level surface with bucket flat on ground.
2. Dump bucket to take weight off mount pins and allow for stand installation. Set brake and shut off tractor.
3. Remove stands from crosstube and pin into brackets. (Pin location noted in mounting manual.)
4. Remove mount pins from loader upright.
5. Roll back bucket completely to raise uprights from mounts.
6. Shut off engine. Disconnect hydraulics. Back tractor away. Store mount pins in loader uprights.

**To Mount Loader**

1. Remove mount pins from uprights.
2. Drive tractor into loader slowly.
3. Shut off tractor. Connect hydraulics.
4. Dump bucket to lower upright into mounts.
5. Continue dumping bucket until uprights settle into mounts, pins can be installed and stands can be removed. Set brake and shut off tractor.
6. Install mount pins and clips. Remove stands and pin into crosstube.

56059-A

5 - PN 19924

<p style="font-size: x-small; text-align: center;">19924-B</p>	<h3 style="margin: 0;">WARNING</h3> <p><b>HIGH-PRESSURE HYDRAULIC OIL LEAKS CAN PENETRATE SKIN RESULTING IN SERIOUS INJURY, GANGRENE OR DEATH.</b></p> <ul style="list-style-type: none"> <li>■ Check for leaks with cardboard; never use hand.</li> <li>■ Before loosening fittings: lower load, release pressure, and be sure oil is cool.</li> <li>■ Consult physician immediately if skin penetration occurs.</li> </ul>
--	--

9 - PN 56059

**WARNING**

**LOADER ATTACHMENT CAN FALL OFF IF NOT PROPERLY ATTACHED.**

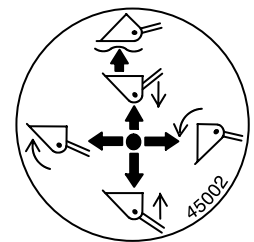
- Read operator's manuals for instructions.
- Position and align loader to attachment.
- Rotate coupler handles to full locked position. Lockpins must fully extend and engage into attachment retaining slots.
- Attachment mechanism must be functional and in good repair.
- Only use loader manufacturer approved attachments.
- For information on approved attachments, call 1-800-319-6637.

**Failure to follow these instructions can result in serious injury or death.**

56055-B

7 - PN 56055

8 - PN 45002  
(WHEN EQUIPPED)



11 - PN 45024

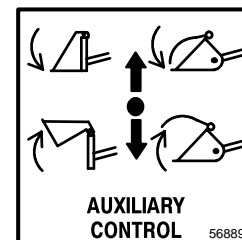
**WARNING**

**LOADER ATTACHMENT CAN FALL OFF IF NOT PROPERLY ATTACHED.**

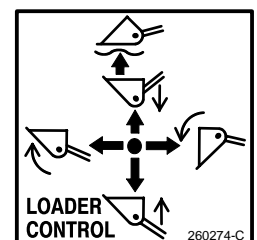
Only use loader manufacturer approved attachments.  
Failure to do so can cause serious injury or death.

45024-A

10 - PN 56889  
(WHEN EQUIPPED)



8 - PN 260274  
(WHEN EQUIPPED)



# NOTES



# LOADER MOUNT INSTALLATION



## WARNING

■ Only use #111876 Loader Mounting Kit for mounting Woods 1020/1027 loaders on Ford New Holland 2810, 2910, 3910 FWA & 3230, 3430, 3930, 4610, 4630 2WD & FWA, and 4000, 4100, 4110, 4600, 4610 all-purpose 2WD tractors. Any other use or modification of this mounting kit may result in serious injury or death.

■ Safety instructions are important! Read all attachment and power unit manuals; follow all safety rules and safety decal information. (Replacement manuals are available from dealer or, in the United States and Canada, call 1-800-319-6637.) Failure to follow instructions or safety rules can result in serious injury or death.



## CAUTION

■ If you do not understand any part of this manual and need assistance, see your dealer.

■ Always wear relatively tight and belted clothing to avoid entanglement in moving parts. Wear sturdy, rough-soled work shoes and protective equipment for eyes, hair, hands, hearing, and head.

## IMPORTANT

■ This equipment must be assembled and installed on the customer's tractor by the Woods dealer. Dealer must thoroughly inspect equipment and complete each item on the PRE-DELIVERY CHECK LIST, DELIVERY CHECK LIST, and WARRANTY REGISTRATION before equipment is released to the customer.

## TRACTOR PREPARATION

For installing this mounting kit, references to right, left, forward, and rearward directions are determined from the operator's position in the tractor seat.

1. Shut off engine and set parking brake during installation.

2. Remove the tractor front weights and weight bracket if equipped.

3. Set tractor front wheel width to 61-1/2" (center line of thread) as instructed in tractor operator manual.

4. Remove cowl-mounted headlights if equipped.

## LOADER MOUNT INSTALLATION Cont'd

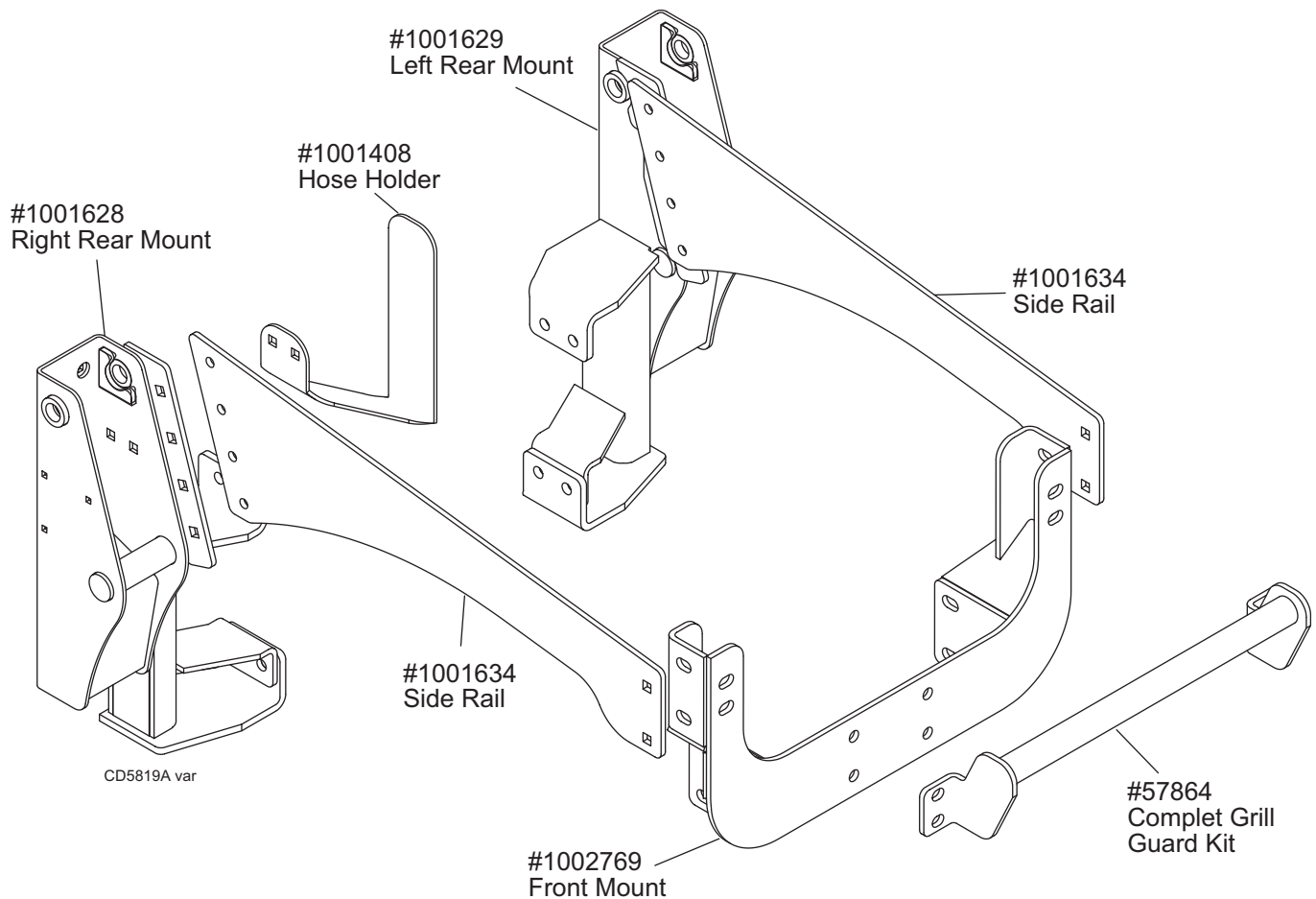


Figure 1 #111876 Loader Mounting Kit

### Install Front Support

**NOTE:** Leave cap screws loose until front support and loader mounts are completely installed.

1. Attach front support to tractor, using cap screws (11) and hardened flat washers (13) as shown in Figure 2.

- 11. 300517 3/4 NC x 1-3/4 Cap screw
- 13. 57798 3/4 Flat washer

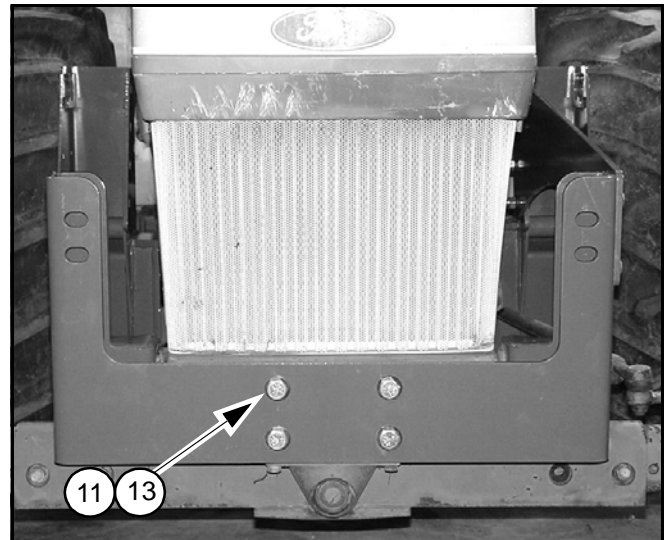


Figure 2 Front Support Installation

## LOADER MOUNT INSTALLATION Cont'd

### Install Grill Guard (Optional)

1. Attach grill guard to front support, using four 3/4 NC x 2 hex head cap screws (15), flat washers (13), lock washers (23), and nuts (22).

**NOTE:** Install cap screws from inside front support as shown in Figure 3.

- |     |       |                   |
|-----|-------|-------------------|
| 13. | 57798 | 3/4 Flat washer   |
| 15. | 735   | 3/4 x 2 Cap screw |
| 22. | 1450  | 3/4 Nut           |
| 23. | 2522  | 3/4 Lock washer   |

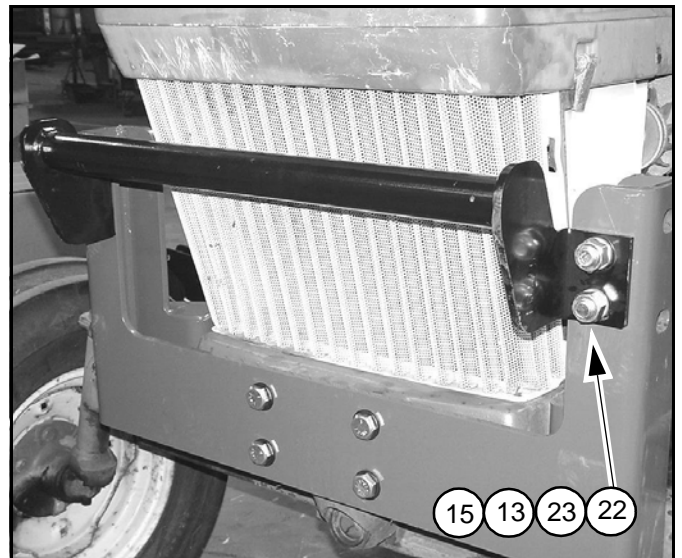


Figure 3 #57864 Grill Guard Kit Installed

### Install Right & Left Mounts to Clutch Housing

1. Attach right and left mounts to tractor clutch housing, using cap screws (11, 15) and flat washers (13) as shown in Figure 4.

- |     |        |                       |
|-----|--------|-----------------------|
| 11. | 300517 | 3/4 x 1-3/4 Cap screw |
| 13. | 57798  | 3/4 Flat washer       |
| 15. | 735    | 3/4 x 2 Cap screw     |

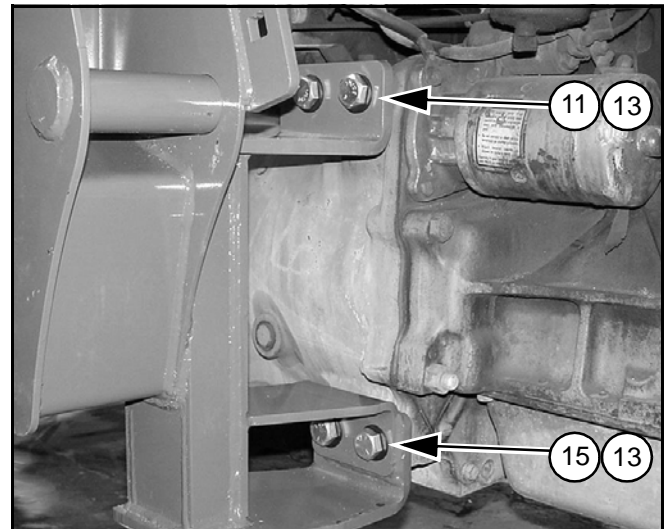


Figure 4 Right Mount Installed at Clutch Housing

## LOADER MOUNT INSTALLATION Cont'd

### Attach Side Rails to Rear Mounts & Front Support

1. Attach side rail to inside of right rear mount, using four carriage bolts (12), flat washers (14), and hex nuts (10) as shown in Figure 5.
2. Attach side rail to outside of front support, using two cap screws (12), flat washers (14), and nuts (10) as shown in Figure 6.
3. Repeat Step 1 and Step 2 to install left side rail to left rear mount.

- |     |        |                          |
|-----|--------|--------------------------|
| 10. | 230    | 5/8 Hex nut              |
| 12. | 301130 | 5/8 1-1/2 Carriage bolt  |
| 14. | 57817  | 5/8 Hardened flat washer |

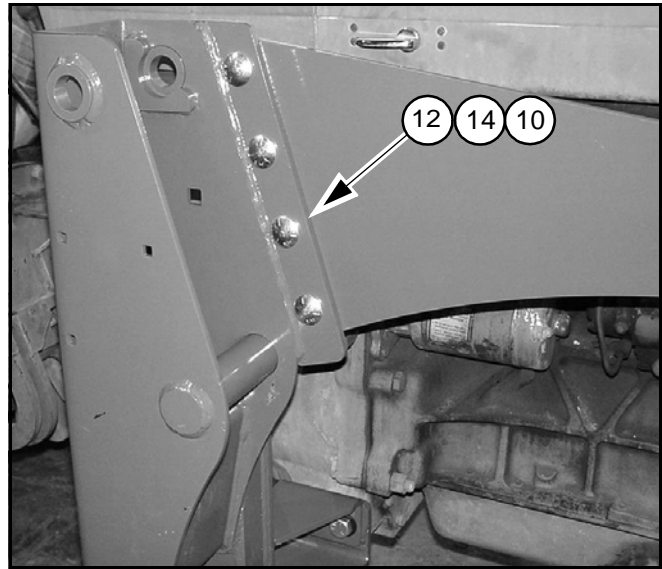


Figure 5 Side Rail Installed to Right Rear Mount

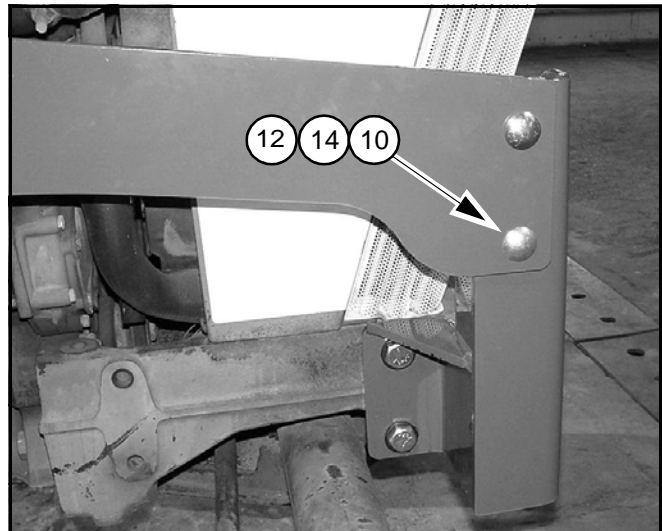


Figure 6 Side Rail Installed to Front Mount

### Torque Hardware

1. Torque all hardware to specifications given below.

TORQUE SPECIFICATIONS				
Bolt	Qty	Wrench		Required Torque
		Size		
3/4 NC x 1-3/4 HH cap screw	12	1-1/8"		297 lbs.-ft. (403 N-m)
3/4 NC x 2 HH cap screw	8	1-1/8"		297 lbs.-ft. (403 N-m)
5/8 x 1-1/2 Carriage bolt	12	15/16"		170 lbs.-ft. (230 N-m)

# CONTROL VALVE & HOSE KIT INSTALLATION

## WARNING

■ Keep hands and body away from pressurized lines. Use paper or cardboard, not hands or other body parts to check for leaks. Wear safety goggles. Hydraulic fluid under pressure can easily penetrate skin and will cause serious injury or death.

■ Make sure that all operating and service personnel know that if hydraulic fluid penetrates skin, it must be surgically removed as soon as possible by a doctor familiar with this form of injury or gangrene, serious injury, or death will result. **CONTACT A PHYSICIAN IMMEDIATELY IF FLUID ENTERS SKIN OR EYES. DO NOT DELAY.**

■ Air in hydraulic systems can cause erratic operation and allow loads or equipment components to drop unexpectedly. When connecting equipment or hoses or performing any hydraulic maintenance, purge any air in hydraulic system by operating all hydraulic functions several times. Do this before operating or allowing anyone to approach the equipment.

## WARNING

■ Make sure all hydraulic hoses, fittings, and valves are in good condition and not leaking before starting power unit or using equipment. Check and route hoses carefully to prevent damage. Hoses must not be twisted, bent sharply, kinked, frayed, pinched, or come into contact with any moving parts. Operate moveable components through full operational range to check clearances. Replace any damaged hoses immediately.

■ Protective hose sleeves must cover all hydraulic hoses and be secured onto metal hose fittings. Replace hoses or sleeves if damaged or if protective sleeve cannot be properly positioned or secured.

## IMPORTANT

■ Hydraulic valves must be connected to the tractor hydraulic system as shown in this loader mounting kit manual.

■ If hydraulic lines are not connected as shown in the mounting kit manual, the loader control valve may be damaged. A blocked outlet (Return) or improper hose connection will cause pressurized oil to enter the return circuit and damage the valve.

**COMPLETION OF THIS INSTALLATION REQUIRES CONNECTION TO THE LOADER, ASSEMBLED ACCORDING TO INSTRUCTIONS IN MANUAL #56060.**

**THE FOLLOWING INSTRUCTIONS ARE FOR OPERATING THE LOADER USING THREE OPTIONS:**

- 1** #57923 Hose Kit using tractor remote controls ..... Page 12
- 2** #46675 Control Valve Kit & #1001420 Hose Kit  
(For use with 1020/1027 Loaders) ..... Page 15

# 1

## #57923 Hose Kit Using Tractor Remote Control

### General Description

These instructions are for operating the loader using the tractor hydraulic remote control lever. To use this hydraulic connection, the tractor must be equipped with two hydraulic levers and four tractor hydraulic couplers.

**NOTE:** Hydraulic couplers for connection to tractor are NOT included with the hose kit but are available as service parts.

### Install Hose Fittings

1. Attach 90-degree adapter and male quick coupler to each loader supply hose.
2. Connect loader supply hoses to loader steel feedlines as shown in Figure 6.

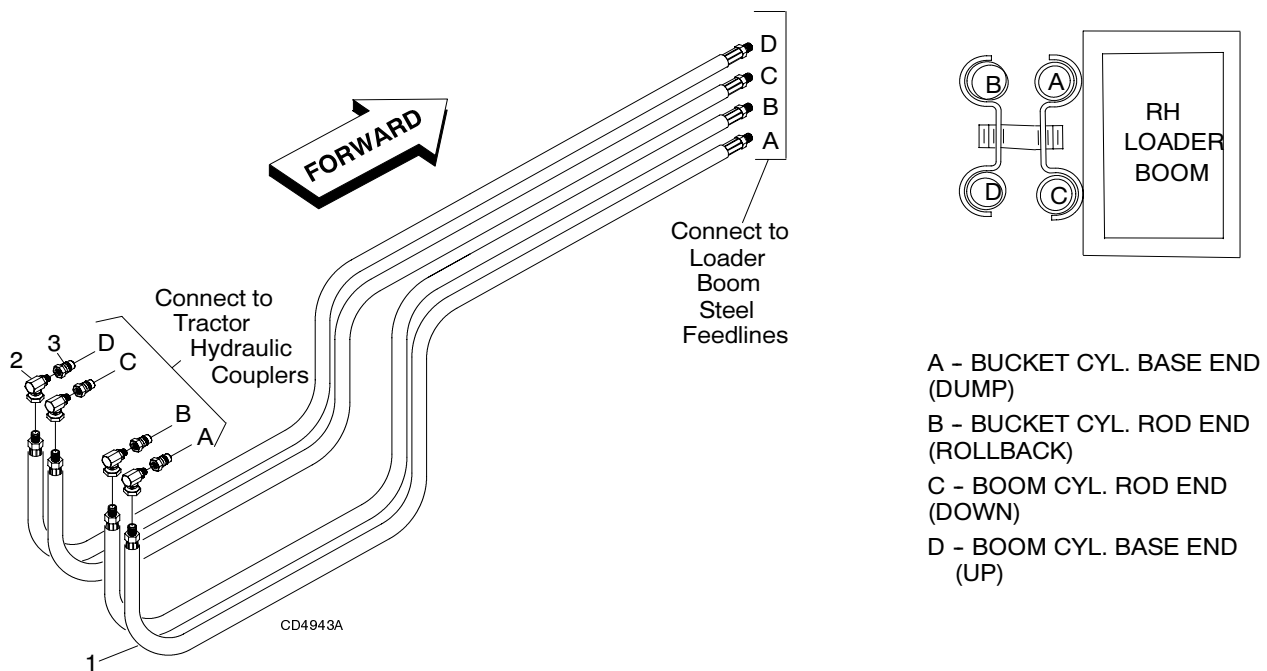


Figure 6 #57923 Hose Kit & Loader Feedline Connections

# 1 #57923 Hose Kit *Cont'd*

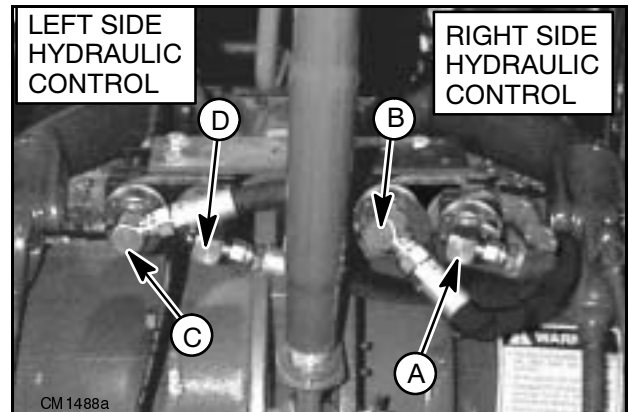
## Route Hydraulic Hoses

1. Route hoses along loader mount, under the right side of the operator's platform, and over the rear axle.

Be sure to avoid contact with 3-point linkage, brake pedals, and other moveable tractor components.

Hoses must be routed so they are not pinched, bent sharply, or chafed during operation. Hoses must not interfere with any tractor control operation or contact any moving parts.

2. Connect hydraulic hoses to tractor hydraulic couplers as shown in Figure 7.

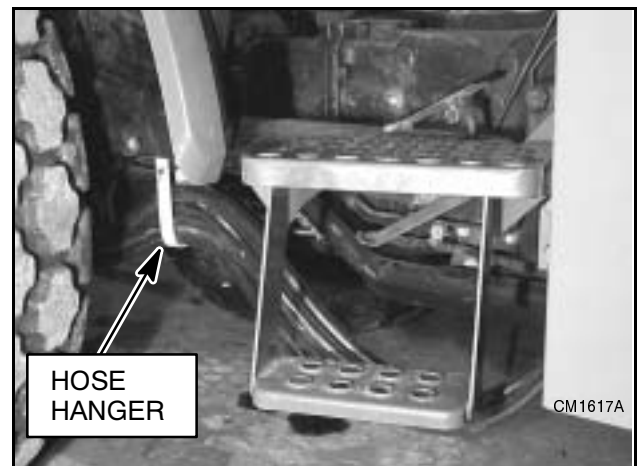


**Figure 7** Hose Connections to Tractor Hydraulic Couplers

## Install #58033 Hose Hanger

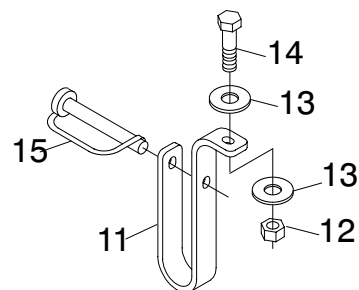
1. Install hose hanger bracket beneath right side of the operator's platform as shown in Figure 8. Use cap screw, flat washers, and lock nut as shown in Figure 9.

2. Route hoses through support and secure with lock pin (15).



**Figure 8** #58033 Hose Hanger Installed

- 11. 58033 Hose hanger bracket
- 12. 6778 5/16 NC Lock nut
- 13. 4378 5/16 Flat washer
- 14. 6250 5/16 NC x 1-1/4 Cap screw
- 15. 58047 1/4 x 2-1/2 Lock pin



**Figure 9** Hose Hanger Assembly

# 1 #57923 Hose Kit *Cont'd*

## Verification of Control Movements

**1. Mount loader to tractor:** Remove mount pins from loader uprights. Align tractor with loader and slowly drive tractor into loader. Shut off tractor.

**2. Connect loader feedline hoses to tractor hydraulic couplers.** See Figure 11.

**NOTE:** At least 6" spacing should be maintained between valve, bracket, or hoses and any tractor control (brake pedals, accelerator, hand throttle, or hydraulic levers).

**3. Comply with all Safety Rules and start the tractor.**

**4. Check that all hydraulic control lever positions operate the loader movements correctly as shown in Figure 10.**

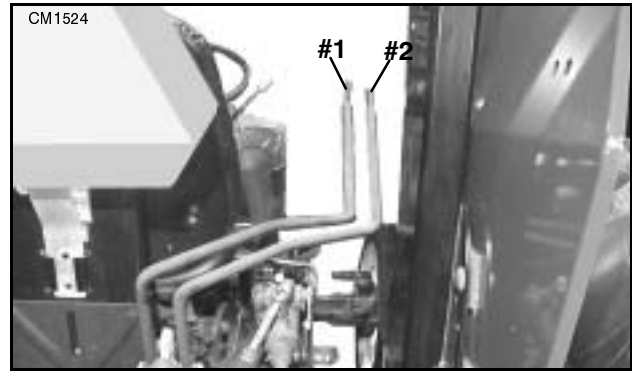
**5. If loader movements do not respond correctly, shut off tractor, relieve pressure, and reconnect properly. Loader control movements must be correct before proceeding.**

**6. Once all loader functions are correct, start the tractor and operate the loader to check for leaks. Purge any remaining air from the hydraulic system.**

**7. When hose routings and correct loader operations are verified, identify each circuit by placing a matching colored band around the male and female quick-disconnect coupler set. The colored bands will make re-installation easier when the loader is removed from the tractor.**

**8. Be sure that adequate slack is left in the hoses so they can move as the loader moves through its full range of motion.**

**9. Before operating the loader, make sure that the Pre-Delivery, Delivery, and Pre-Operation Checklists from the Operator section in the Loader Operator's Manual have been completed.**



**Figure 10** Single Lever Control Operation

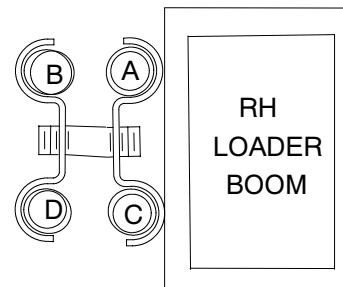
- Control #1 Handle Forward - Boom down
- Control #1 Handle back - Boom up
- Control #2 Handle forward - Dump bucket or attachment
- Control #2 Handle back - Roll back bucket or attachment

A - BUCKET CYL. BASE END  
(DUMP)

B - BUCKET CYL. ROD END  
(ROLLBACK)

C - BOOM CYL. ROD END  
(DOWN)

D - BOOM CYL. BASE END  
(UP)



**Figure 11** Loader Feedline Connections



**2**

## #46675 Control Valve Kit & #1001420 Hose Kit

### General Description

This hydraulic connection uses a single-lever control valve mounted to the right loader mount with a mounting plate as shown.

### IMPORTANT

- Hydraulic valves must be connected to the tractor hydraulic system as shown in the specific loader mounting kit manual.
- If hydraulic lines are not connected as shown in this manual, the loader control valve may be damaged. A blocked outlet (return) or improper hose connection will cause pressurized oil to enter the return circuit and damage the valve.
- Whenever the engine is running, pump flow will be present at the Pressure port. Pressure port must always be connected to the Power-beyond port with hoses with a 3,000 psi rating or through an open-center directional control valve with Power-beyond capability. Power-beyond control valves have three ports: inlet, outlet and return-to-sump.
- Pressure port must never be plugged since this will cause hydraulic oil to exceed relief, quickly overheat, and cause damage to the tractor hydraulic system.
- Never use a directional control valve that does not have Power-beyond capability (2 hose connections). Valve spool seal leakage will occur and the valve housing could fracture.

For installing this control valve kit, references to right, left, forward, and rearward directions are determined from the operator's position in the tractor seat.



Figure 12 2-Spool Control Valve Installed  
(Typical installation)

### CAUTION

- If the manifold is used to provide hydraulic power to any implement that is carried off the ground (such as a front end loader), be sure that the implement is fully lowered and pressure is relieved before exiting the operator control area.

## 2 #46675 Control Valve & #1001420 Hose Kit *Cont'd*

### Assemble Control Valve Kit

1. Install the control lever:

- a.) Thread end of handle (1) into valve.
- b.) Align handle so that end with longer bend is pointing toward the adapter fittings. Make sure bends are in line with front and rear of valve.
- c.) Tighten jam nut (2) already installed on handle.
- d.) Slide boot down over boot bracket.

2. The valve mounting plate contains two sets of holes. Select the holes that will position the valve in the desired location. Install the valve mounting plate (8) over the hose holder (10) and secure to the right loader mount, using two 5/8 NC x 2 carriage bolts (40), 5/8 flat washers (41), lock washers (42), and nuts (43) supplied in loader mounting kit.

**NOTE:** Carriage bolts must be installed so that the head is inside the loader mount.

3. Attach the valve mount to the valve plate so that the control valve will be in the correct position for operation. Secure with three 1/2 NC x 1-1/2 carriage bolts (35), flat washers (36), lock washers (37), and nuts (38) as shown.

4. Control valve must be positioned so that movement of tractor controls is not restricted. Maintain at least 6" spacing between control valve kit and any tractor control (brake pedals, accelerator, hand throttle, or hydraulic levers.) Check for clearances in the operating position.

5. Torque all hardware to specifications given below.

- |     |       |                              |
|-----|-------|------------------------------|
| 8.  | 46340 | Valve mounting plate         |
| 9.  | 56254 | Bent handle                  |
| 10. | 44592 | Hose holder                  |
| 11. | 53998 | Right rear mount             |
| 30. | 20973 | 3/8 x 1-1/4 Carriage bolt    |
| 32. | 565   | 3/8 Flat washer              |
| 33. | 838   | 3/8 Lock washer              |
| 34. | 835   | 3/8 Hex nut                  |
| 35. | 29893 | 1/2 NC x 1-1/2 Carriage bolt |
| 36. | 3598  | 1/2 Flat washer              |
| 37. | 855   | 1/2 Lock washer              |
| 38. | 13859 | Jam nut                      |
| 39. | 1093  | 1/2 Hex nut                  |
| 40. | 2855  | 5/8 NC x 2 Carriage bolt     |
| 41. | 3632  | 5/8 Flat washer              |
| 42. | 1286  | 5/8 Lock washer              |
| 43. | 230   | 5/8 Hex nut                  |

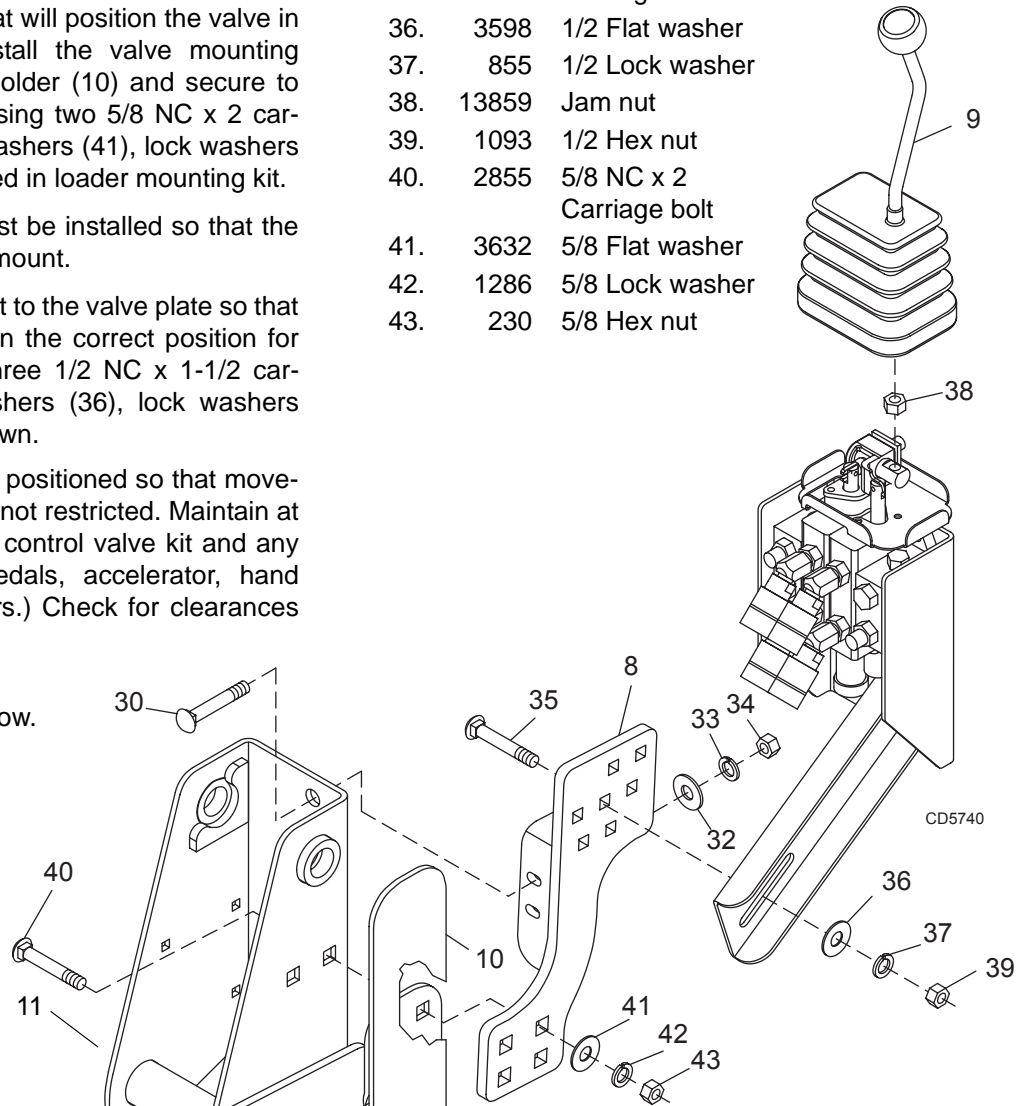


Figure 13 2-Spool Control Valve Kit Assembly

#### TORQUE SPECIFICATIONS

##### Wrench

Bolt	Size	Required Torque
5/8 NC x 2	15/16"	170 lbs.-ft.(230 N-m)
1/2 NC x 2	3/4"	85 lbs.-ft.(115 N-m)

## 2 #46675 Control Valve & #1001420 Hose Kit *Cont'd*

### Install #1001421 Adapter Plate from Hose Kit

#### CAUTION

■ Before attempting to install this kit, the following must be observed:

1. Shut off engine, place transmission in neutral, and apply parking brake.
  2. Fully lower any equipment supported by the tractor remote hydraulic valves, if so equipped. Activate any remote valves to relieve all hydraulic pressure in the remote circuits.
  3. Fully lower the 3-point hitch.
- 
1. Thoroughly clean the top front of the hydraulic accessory plate.
  2. Remove accessory plate. Be careful not to disturb the O-rings that need to stay with the cover plate removed.

#### WARNING

■ Removal of the accessory plate or remote valves with a load being held on the 3-point hitch will result in escape of high pressure oil and sudden, uncontrolled drop of 3-point hitch arms.

3. Install O-rings into #1001421 PBY adapter plate. Use petroleum jelly to keep the O-rings in the counterbores.
4. Place the adapter plate onto the hydraulic lift cover.
5. Place the accessory plate onto the adapter plate. Verify that the seal rings stay in the counterbores.

6. Secure with hex head cap screws and flat washer as shown in Figure 14.

- |    |         |                           |
|----|---------|---------------------------|
| 1. | 21548   | 5/16 x 3-1/4 Cap screw    |
| 2. | 4378    | 5/16 Standard flat washer |
| 3. | 21549   | 7/16 x 3 Cap screw        |
| 4. | 1001423 | 7/16 X 4-3/4 Cap screw    |
| 5. | ----    | Hydraulic accessory plate |
| 6. | ----    | Hydraulic lift cover      |

**NOTE:** This hardware will be used with the standard accessory plate. If tractor is equipped with an optional auxiliary quick-coupler valve, obtain hardware locally.

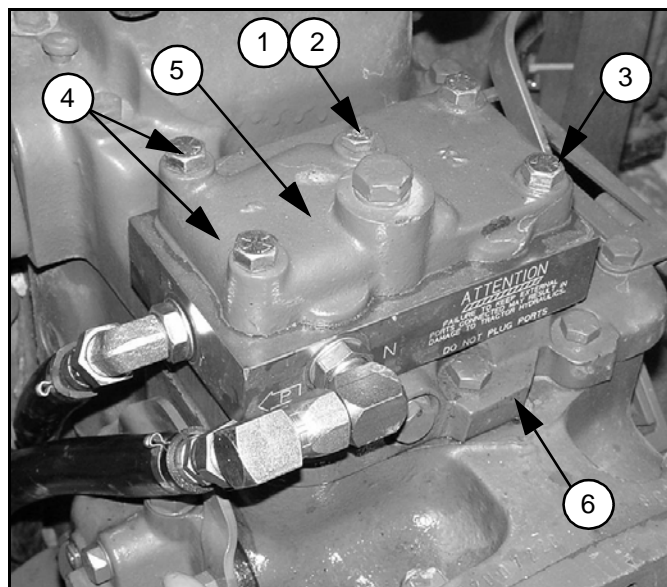
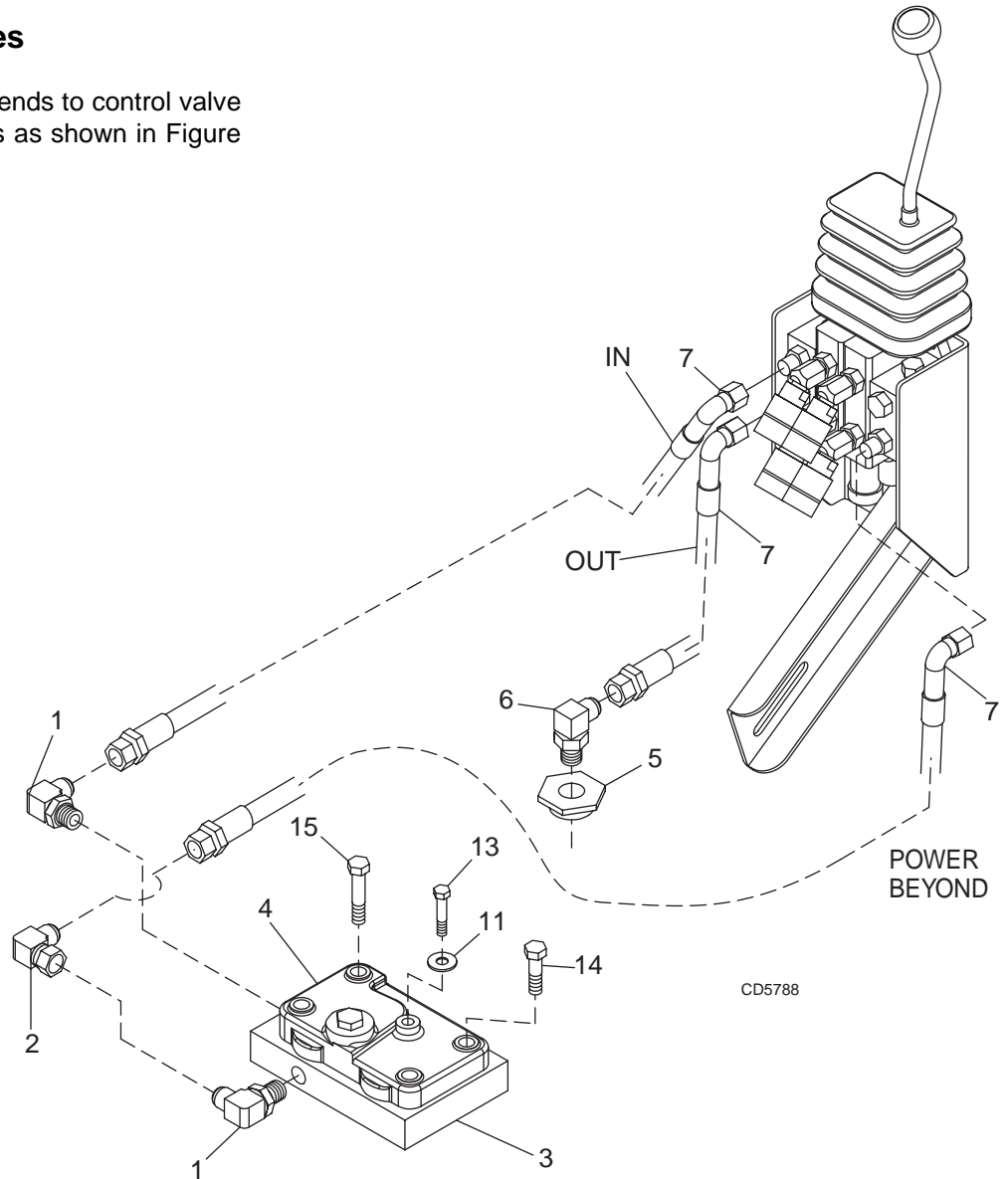


Figure 13 Adapter Plate Installation (3930 shown)

## 2 #46675 Control Valve & #1001420 Hose Kit Cont'd

### Install Hydraulic Hoses

1. Attach 90-degree hose ends to control valve IN, OUT, and PBY adapters as shown in Figure 15.



**Figure 14** #1001420 Hose Kit Assembly

## 2 #46675 Control Valve & #1001420 Hose Kit *Cont'd*

### Install #58033 Hose Hanger Bracket

1. Install hose hanger bracket (8) under platform between brake pedals and chassis as shown in Figure 16.
2. Secure with hex head cap screw (10), flat washers (11), and lock nut (12).
3. Route hoses through hose hanger bracket and up behind right platform as shown in Figure 17.
4. Route PBV and IN hoses to PBV adapter plate. Route OUT hose to top of rear axle.
5. Secure hoses in hose hanger with lock pin (9).
6. Secure hoses every 20 inches with plastic ties.

- |     |       |                           |
|-----|-------|---------------------------|
| 8.  | 58033 | Hose hanger bracket       |
| 9.  | 58047 | 1/4 x 2-1/2 Lock pin      |
| 10. | 6250  | 5/16 x 1-1/4 Cap screw    |
| 11. | 4378  | 5/16 Standard flat washer |
| 12. | 6778  | 5/16 Lock nut             |

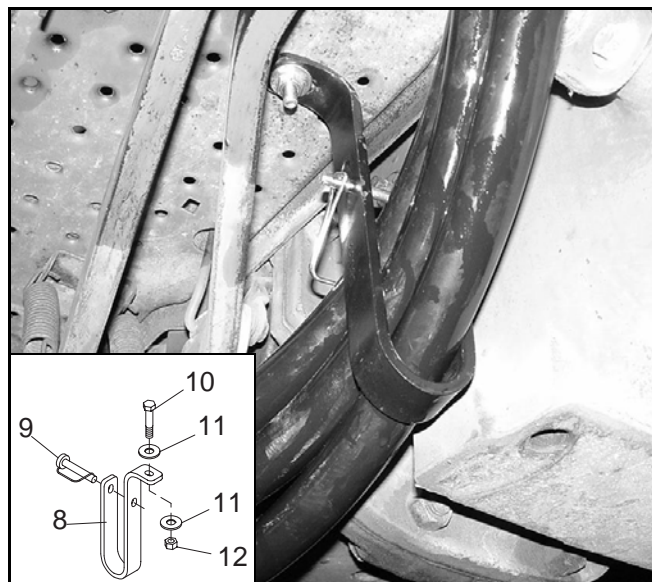


Figure 15 Hose Hanger Installed

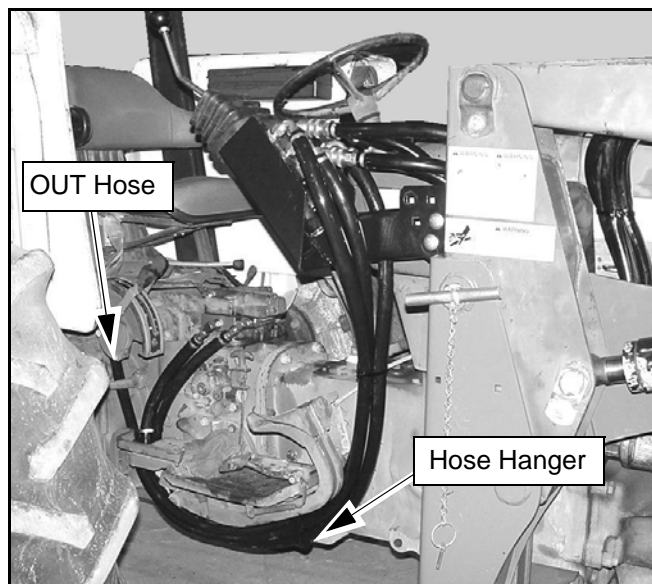


Figure 16 Hose Routing

## 2 #46675 Control Valve & #1001420 Hose Kit *Cont'd*

### Connect OUT Hose to Tractor Rear Axle

1. Remove the top filler plug, located on the right side of the tractor rear axle.
2. Remove gasket from filler plug. Install gasket onto adapter (1) and install as shown in Figure 18.
3. Install 90-degree elbow (2) onto O-ring and attach hose (3) as shown in Figure 18.

1. 1001419 7/8 O-ring adapter
2. 60 90° adjustable elbow
3. 1001422 Hose from valve OUT port

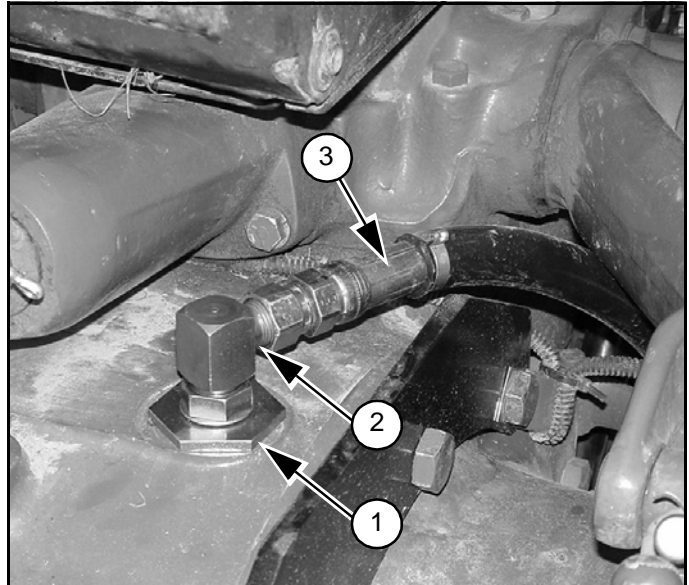


Figure 17 OUT Hose Installation

### Connect IN & PBH Hoses to Adapter Plate

1. Install elbow (4) and elbow (5) into "N" port of adapter plate as shown in Figure 19.
2. Install PBH hose (6) into elbow (5).
3. Install elbow (4) into "P" port of adapter plate as shown.
4. Install IN hose (7) into elbow (4).

4. 316004 90° Adjustable elbow
5. 313032 90° JIC Swivel elbow
6. 1001422 Hose from valve PBH port
7. 1001422 Hose from valve IN port

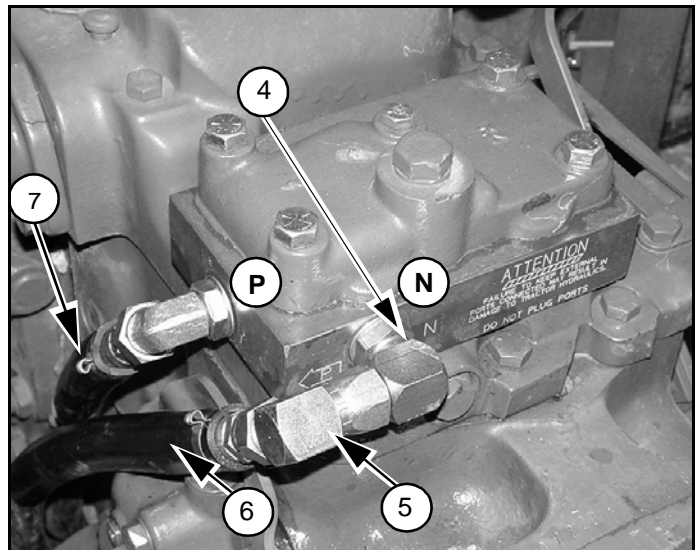


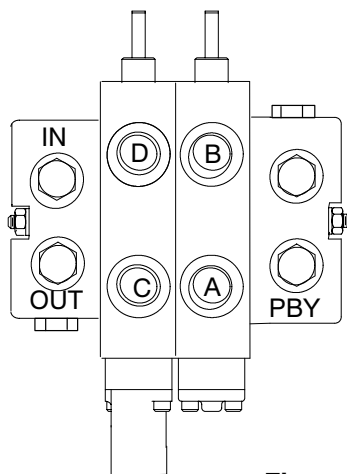
Figure 18 IN and PBH Hose Connections to Tractor Adapter Plate

## 2 #46675 Control Valve & #1001420 Hose Kit *Cont'd*

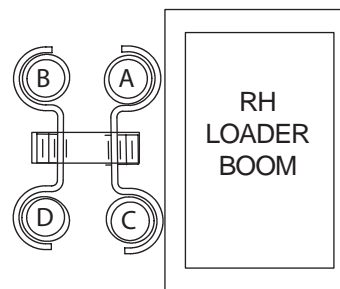
### Connect Work Port Hoses

1. Control valve kit contains 54" hoses assembled with quick couplers. Attach hoses to valve work ports A, B, C, and D, following the color scheme shown in Figure 20.

2. Identify the corresponding feedline locations and connect opposite end of each hose to loader feedlines as shown in Figure 20.



- A - BUCKET CYL. BASE END (DUMP) - **RED**
- B - BUCKET CYL. ROD END (ROLLBACK) - **BLUE**
- C - BOOM CYL. ROD END (DOWN) - **YELLOW**
- D - BOOM CYL. BASE END (UP) - **GREEN**



**Figure 19** #46675 Control Valve & Loader Feedline Connections

**Verification of Control Movements**

**1. Mount loader to tractor:** Remove mount pins from loader uprights. Align tractor with loader and slowly drive tractor into loader. Shut off tractor.

**2.** Connect loader feedline hoses to control valve hydraulic couplers. See Figure 20.

**NOTE:** At least 6" spacing should be maintained between valve, bracket, or hoses and any tractor control (brake pedals, accelerator, hand throttle, or hydraulic levers).

**3.** Comply with all Safety Rules and start the tractor.

**4.** Check that all hydraulic control lever positions operate the loader movements correctly as shown in Figure 21.

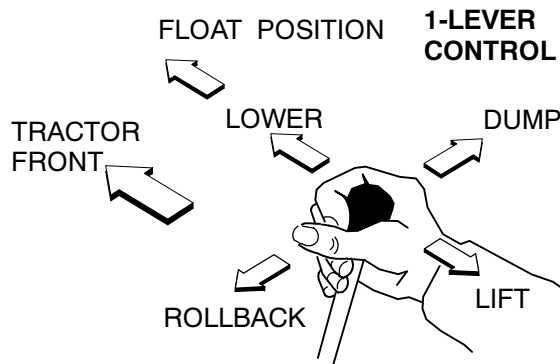
**5.** If loader movements do not respond correctly, shut off tractor, relieve pressure, and reconnect properly. Loader control movements must be correct before proceeding.

**6.** Once all loader functions are correct, start the tractor and operate the loader to check for leaks. Purge any remaining air from the hydraulic system.

**7.** When hose routings and correct loader operations are verified, identify each circuit by placing a matching colored band around the male and female quick-disconnect coupler set. The colored bands will make re-installation easier when the loader is removed from the tractor.

**8.** Be sure that adequate slack is left in the hoses so they can move as the loader moves through its full range of motion.

**9.** Before operating the loader, make sure that the Pre-Delivery, Delivery, and Pre-Operation Checklists from the Operator section in the Loader Operator's Manual have been completed.



**Figure 20** Single Lever Control Operation

- Handle Forward - Boom down
- Handle forward to limit - Float position
- Handle back - Boom up
- Handle to right - Dump bucket or attachment
- Handle to left - Rollback bucket or attachment



### 111876 LOADER MOUNTING KIT

#### Loaders

**1020**

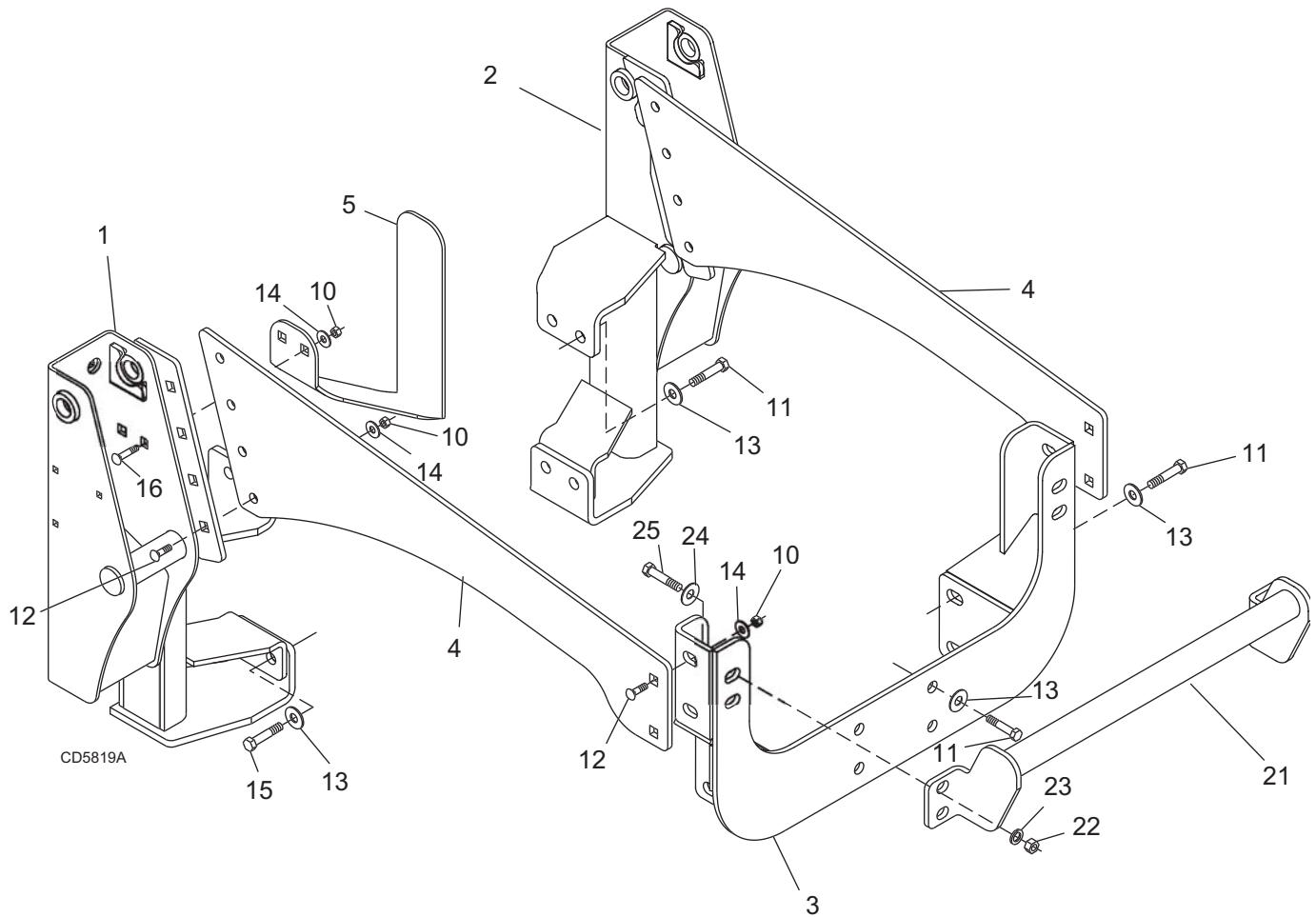
**1027**

#### Ford New Holland Tractor Models

**2810, 2910, 3910 FWA  
3230, 3430, 3930, 4610,  
4630 2WD & FWA  
4000, 4100, 4110, 4600,  
4610 All-Purpose 2WD**

#111876 LOADER MOUNT KIT .....	24
#57923 HOSE KIT (FOR USE WITH TRACTOR REMOTE CONTROL).....	25
#46675 CONTROL VALVE KIT (FOR 1020 & 1027 LOADERS).....	26-27
#1001420 HOSE KIT (FOR 1020 & 1027 LOADERS).....	28

## #111876 LOADER MOUNTING KIT



REF	PART	QTY	DESCRIPTION	REF	PART	QTY	DESCRIPTION
1	1001628	1	Right rear mount	15	735	8	3/4 NC x 2 Hex head cap screw
2	1001629	1	Left rear mount	16	2855	2	5/8 NC X 2 Carriage bolt GR5 ZP
3	1002769	1	Front mount	20	57864	1	Complete grill guard kit (optional)
4	1001634	2	Side rail	21	57791	1*	Grill guard
5	1001048	1	Hose holder	22	1450	4*	3/4 Nut
10	230	14	5/8 NC Plated Hex nut	23	2522	4*	3/4 Lock washer
11	300517	12	3/4 NC x 1-3/4 Hex head cap screw GR5	24	57798	4*	3/4 Hardened flat washer
12	301130	12	5/8 NC x 1-1/2 Carriage bolt GR5 ZP	25	735	4*	3/4 NC x 2 Hex head cap screw
13	57798	16	3/4 Hardened flat washer				
14	57817	14	5/8 Hardened flat washer				

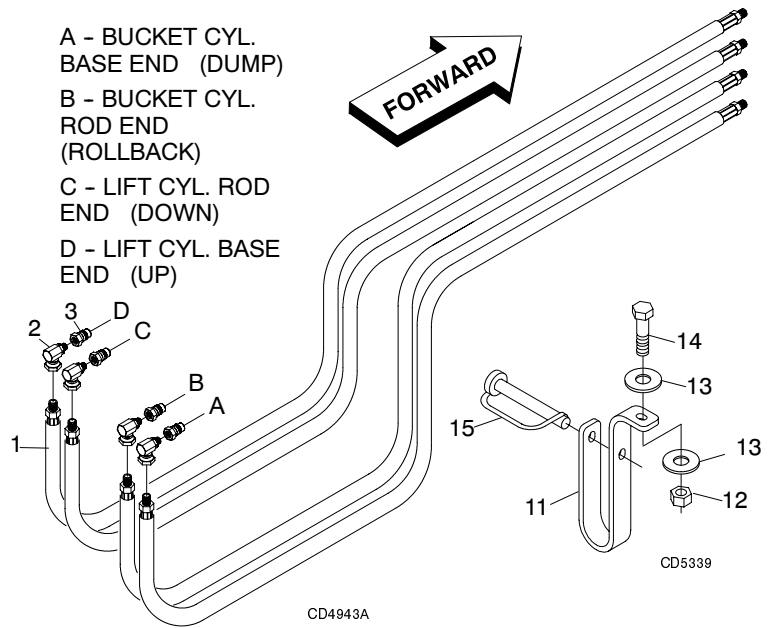
\* Items included in Grill guard kit

# 24 PARTS

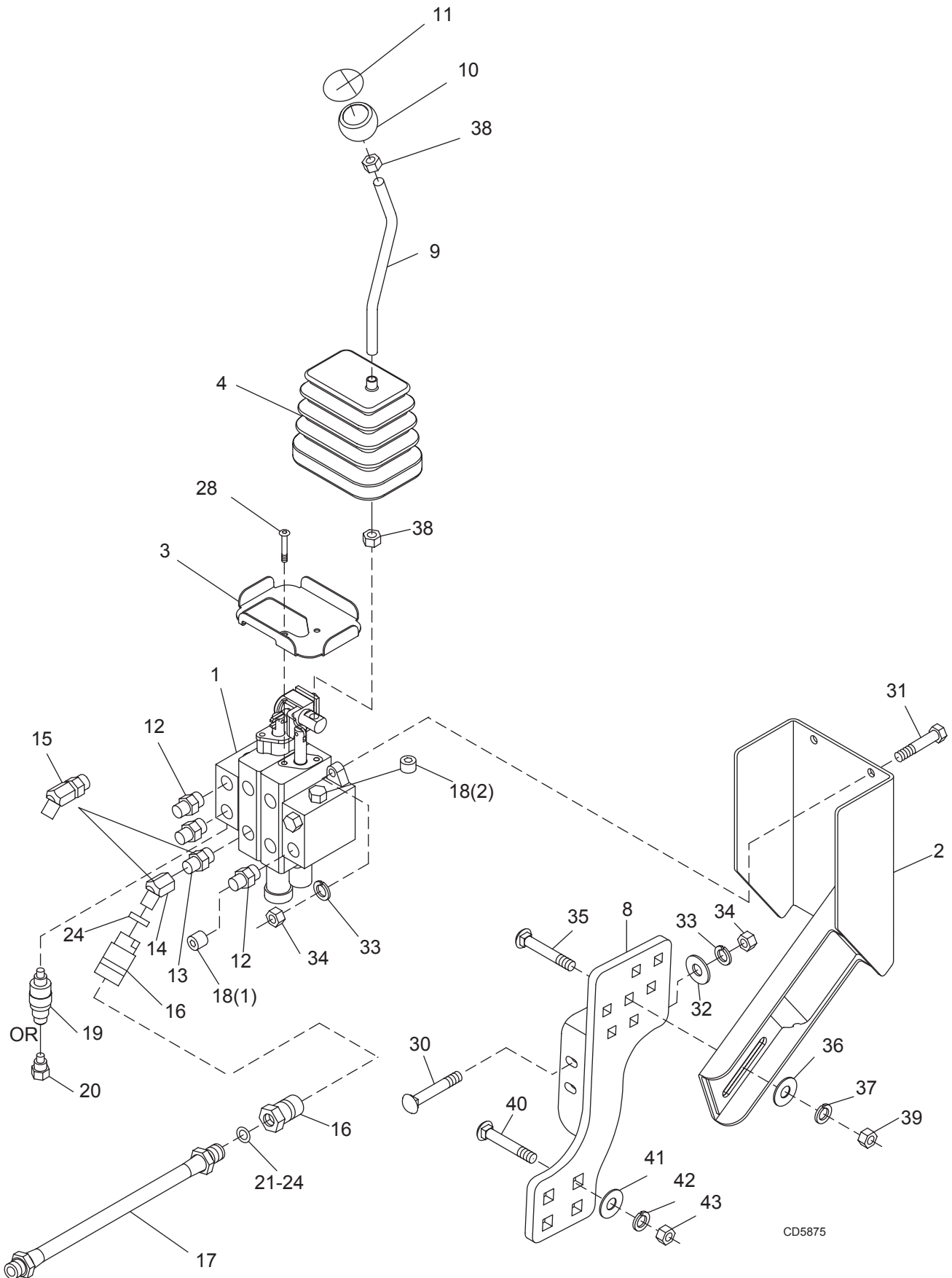
(Rev. 1/25/02)  
MAN0063 (12/15/00)

## #57923 HOSE KIT (FOR USE WITH TRACTOR REMOTE CONTROL)

REF	PART	QTY	DESCRIPTION
1	57912	4	3/8 x 120 Hose, 8 JICM x 8 JICM with protective sleeves clamped at both ends
2	313053	4	90° Elbow, 8 JICF x 1/2 NPTM
3	66511	4	Adapter, 1/2 male x 1/2 NPTM (not included in kit)
11	58033	1	Hose hanger bracket
12	6778	1	5/16 NC Lock nut
13	4378	2	5/16 Flat washer
14	6250	1	5/16 NC x 1-1/4 Hex head cap screw GR5
15	58047	1	1/4 x 2-1/2 Lock pin
NS	88	A/R	Plastic tie straps
NS	395061	2	Spiral band, red
NS	395062	2	Spiral band, blue
NS	395063	2	Spiral band, orange
NS	54124	2	Spiral band, white



# 2-SPOOL CONTROL VALVE



CD5875

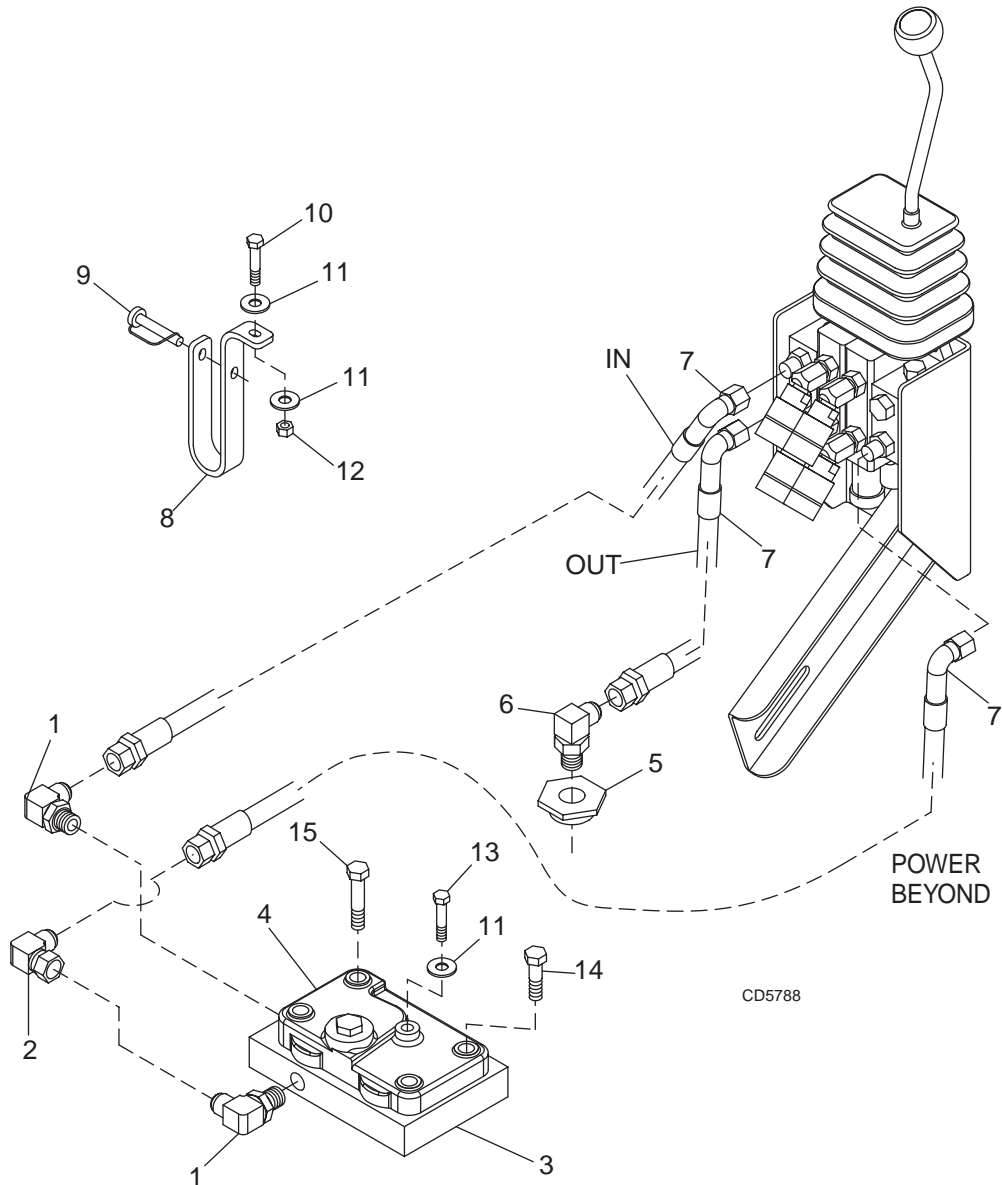
**26 PARTS**

(Rev. 1/25/02)  
MAN0063 (12/15/00)

## 2-SPOOL CONTROL VALVE PARTS LIST

REF	PART	QTY	DESCRIPTION	REF	PART	QTY	DESCRIPTION
1	46696	1	2-Spool valve with controller	20	X102202	1	MRV Shut-off plug
2	45056	1	2-Spool valve mount	21	395061	2	Spiral band, red
3	45062	1	Boot bracket	22	395062	2	Spiral band, blue
4	40527	1	Rubber control boot (2-spool)	23	56061	2	Spiral band, green
8	46340	1	Valve mounting plate	24	56062	2	Spiral band, yellow
9	56254	1	Bent handle, 0.5 OD x 11.31	28	56268	2	1/4 NC x 5/8 Button head cap screw
10	45003	1	Knob, 1.88 diameter x 1/2 NC	30	20973	1	3/8 x 1-1/4 Carriage bolt
11	45002	1	Valve control decal	31	12169	3	3/8 NC x 1-1/4 Hex head cap screw
12	316016	3	Adapter, 3/4 JICM x 7/8 ORBM	32	565	1	3/8 Flat washer
13	315043	4	Adapter, 3/8 NPTM x 3/4 ORBM (Used on earlier models)	33	838	4	3/8 Lock washer ZP
14	313015	4	45° Street elbow, 3/8 NPTF (Used on earlier models)	34	835	4	3/8 NC Plated hex nut
15	45001	4	45° Elbow, 3/8 NPTM x 3/4 ORBM (Replaces Items 13 & 14)	35	12735	3	1/2 NC x 1-3/4 Carriage bolt HT
16	316007	4	Quick-attach coupler	36	3598	3	1/2 SAE Flat washer
17	56095	4	3/8 x 54" Hose, 3/8 NPTM x 3/4 JICM	37	855	3	1/2 Lock washer ZP
18	1082312	2	Plug, 7/8 x 14 (For open-center systems only; one replaces Item 12 in PBX port; one replaces Item 20 shut- off plug)	38	13859	2	1/2 NC Jam nut
19	56252	1	Relief valve assembly—2650 psi (46677 valve kit)	39	1093	3	1/2 NC Plated hex nut
	<b>- or -</b>			40	5607	2	5/8 NC x 1-1/2 Carriage bolt
19	56321	1	Relief valve assembly—2250 psi (46686 valve kit)	41	3632	2	5/8 SAE Standard flat washer
				42	1286	2	5/8 Lock washer ZP
				43	230	2	5/8 Plated hex nut

## #1001420 HOSE KIT (FOR 1020/1027 LOADERS)



REF	PART	QTY	DESCRIPTION	REF	PART	QTY	DESCRIPTION
1	316004	2	90° Adjustable elbow	10	6250	1	5/16 NC x 1-1/4 Hex head cap screw GR5
2	313032	1	90° JIC Swivel elbow	11	4378	3	5/16 Standard flat washer
3	1001421	1	Ford PBY Plate adapter	12	6778	1	5/16 NC Lock nut
4	—	1	Accessory plate (tractor part)	13	21548	1	5/16 NC x 3-1/4 Hex head cap screw GR8 ZP
5	1001419	1	Adapter, 7/8 O-ring F x 1-3/8 Trd M	14	21549	2	7/16 NC x 3 Hex head cap screw GR8 ZP
6	60	1	90° Adjustable elbow	15	1001423	2	7/16 NC x 4-3/4 Hex head cap screw GR8 ZP
7	1001422	3	1/2 x 86" Hose, 3/4 JICF x 3/4 JICF	NS	88	4	Plastic tie (not shown)
8	58033	1	Hose hanger bracket				
9	58047	1	Pin lock 1/4 x 2-1/2				

# 28 PARTS

MAN0063 (12/15/00)

# BOLT TORQUE CHART

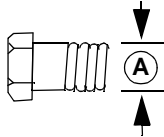
Always tighten hardware to these values unless a different torque value or tightening procedure is listed for a specific application.

Fasteners must always be replaced with the same grade as specified in the manual parts list.

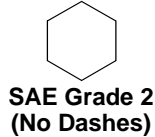
Always use the proper tool for tightening hardware: SAE for SAE hardware and Metric for metric hardware.

Make sure fastener threads are clean and you start thread engagement properly.

All torque values are given to specifications used on hardware defined by SAE J1701 & J1701M JUL96.



## SAE SERIES TORQUE CHART



SAE Bolt Head Identification

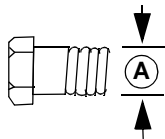


SAE Grade 5  
(3 Radial Dashes)

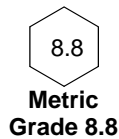


SAE Grade 8  
(6 Radial Dashes)

A Diameter (Inches)	Wrench Size	MARKING ON HEAD					
		SAE 2		SAE 5		SAE 8	
		Lbs.-Ft.	N-m	Lbs.-Ft.	N-m	Lbs.-Ft.	N-m
1/4"	7/16"	6	8	10	13	14	18
5/16"	1/2"	12	17	19	26	27	37
3/8"	9/16"	23	31	35	47	49	67
7/16"	5/8"	36	48	55	75	78	106
1/2"	3/4"	55	75	85	115	120	163
9/16"	13/16"	78	106	121	164	171	232
5/8"	15/16"	110	149	170	230	240	325
3/4"	1-1/8"	192	261	297	403	420	569
7/8"	1-15/16"	306	416	474	642	669	907
1"	1-1/2"	467	634	722	979	1020	1383



## METRIC SERIES TORQUE CHART

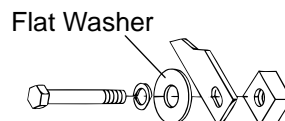
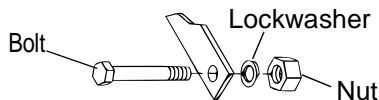


Metric Bolt Head Identification



A Diameter & Thread Pitch (Millimeters)	Wrench Size	COARSE THREAD				FINE THREAD				A Diameter & Thread Pitch (Millimeters)
		MARKING ON HEAD								
		Metric 8.8		Metric 10.9		Metric 8.8		Metric 10.9		
		N-m	Lbs.-Ft.	N-m	Lbs.-Ft.	N-m	Lbs.-Ft.	N-m	Lbs.-Ft.	
6 x 1.0	10 mm	8	6	11	8	8	6	11	8	6 x 1.0
8 x 1.25	13 mm	20	15	27	20	21	16	29	22	8 x 1.0
10 x 1.5	16 mm	39	29	54	40	41	30	57	42	10 x 1.25
12 x 1.75	18 mm	68	50	94	70	75	55	103	76	12 x 1.25
14 x 2.0	21 mm	109	80	151	111	118	87	163	120	14 x 1.5
16 x 2.0	24 mm	169	125	234	173	181	133	250	184	16 x 1.5
18 x 2.5	27 mm	234	172	323	239	263	194	363	268	18 x 1.5
20 x 2.5	30 mm	330	244	457	337	367	270	507	374	20 x 1.5
22 x 2.5	34 mm	451	332	623	460	495	365	684	505	22 x 1.5
24 x 3.0	36 mm	571	421	790	583	623	459	861	635	24 x 2.0
30 x 3.0	46 mm	1175	867	1626	1199	1258	928	1740	1283	30 x 2.0

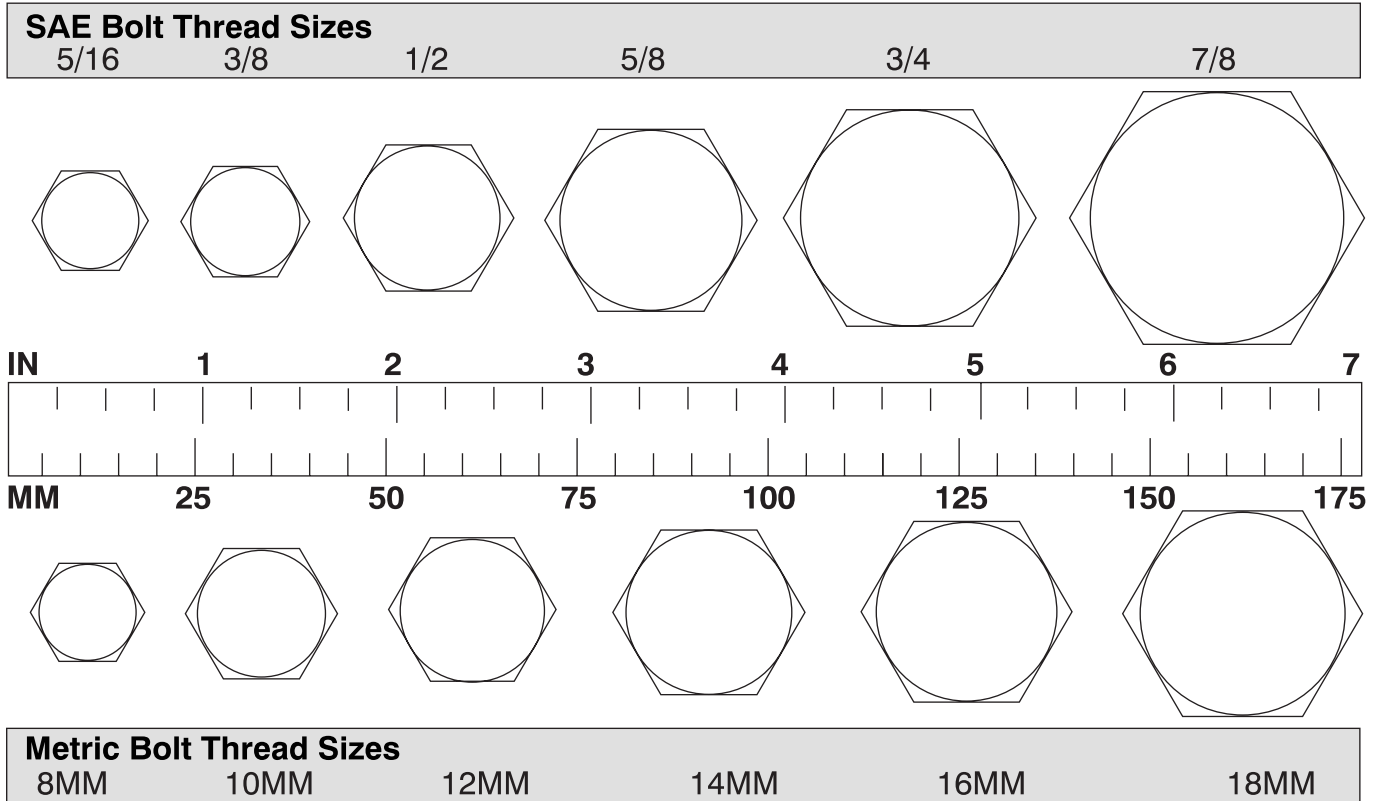
### Typical Washer Installations



8/9/00

# BOLT SIZE CHART

**NOTE:** Chart shows bolt thread sizes and corresponding head (wrench) sizes for standard SAE and metric bolts.



## ABBREVIATIONS

AG .....Agriculture  
 ATF ..... Automatic Transmission Fluid  
 BSPP ..... British Standard Pipe Parallel  
 BSPTM ..... British Standard Pipe Tapered Male  
 CV ..... Constant Velocity  
 CCW ..... Counter-Clockwise  
 CW ..... Clockwise  
 F ..... Female  
 GA ..... Gauge  
 GR (5, etc.) ..... Grade (5, etc.)  
 HHCS ..... Hex Head Cap Screw  
 HT ..... Heat Treated  
 JIC ..... Joint Industry Council 37° Degree Flare  
 LH ..... Left Hand  
 LT ..... Left  
 m ..... Meter  
 mm ..... Millimeter  
 M ..... Male  
 MPa ..... Mega Pascal  
 N ..... Newton

NC ..... National Coarse  
 NF ..... National Fine  
 NPSM ..... National Pipe Straight Mechanical  
 NPT ..... National Pipe Tapered  
 NPT SWF ..... National Pipe Tapered Swivel Female  
 ORBM ..... O-Ring Boss - Male  
 P ..... Pitch  
 PBY ..... Power Beyond  
 psi ..... Pounds per Square Inch  
 PTO ..... Power Take Off  
 QD ..... Quick Disconnect  
 RH ..... Right Hand  
 ROPS ..... Roll Over Protective Structure  
 RPM ..... Revolutions Per Minute  
 RT ..... Right  
 SAE ..... Society of Automotive Engineers  
 UNC ..... Unified Coarse  
 UNF ..... Unified Fine  
 UNS ..... Unified Special



# WARRANTY

(All Models Except Mow'n Machines)

Please Enter Information Below and Save For Future Reference.

Date Purchased: \_\_\_\_\_ From (Dealer): \_\_\_\_\_

Model Number: \_\_\_\_\_ Serial Number: \_\_\_\_\_

WEC Company, d/b/a Woods Equipment Company ("WOODS"), warrants this product to be free from defect in material and workmanship. Except as otherwise set forth below, the duration of this Warranty shall be for TWELVE (12) MONTHS COMMENCING ON THE DATE OF DELIVERY OF THE PRODUCT TO THE ORIGINAL PURCHASER.

The warranty period for certain gearboxes are listed below:

Model No.	Part Warranted	Duration
1160, 1190, BB600, BB720, BB840, BB6000, BB7200, BB8400	Gearbox components	5 years from the date of delivery.
1130, 3180, 3240, BB48, BB60, BB72, BB84	Gearbox components	3 years from the date of delivery.
XT148, XT160, XT172, XT184	Rotary cutter gearbox	90 days from the date of delivery if used in rental or commercial applications.

Under no circumstances will this Warranty apply in the event that the product, in the good faith opinion of WOODS, has been subjected to improper operation, improper maintenance, misuse, or an accident. This Warranty does not apply in the event that the product has been materially modified or repaired by someone other than WOODS, a WOODS authorized dealer or distributor, and/or a WOODS authorized service center. This Warranty does not cover normal wear or tear, or normal maintenance items. This Warranty also does not cover repairs made with parts other than those obtainable through WOODS.

This Warranty is extended solely to the original purchaser of the product. Should the original purchaser sell or otherwise transfer this product to a third party, this Warranty does not transfer to the third party purchaser in any way. There are no third party beneficiaries of this Warranty.

WOODS makes no warranty, express or implied, with respect to engines, batteries, tires or other parts or accessories not manufactured by WOODS. Warranties for these items, if any, are provided separately by their respective manufacturers.

WOODS' obligation under this Warranty is limited to, at WOODS' option, the repair or replacement, free of charge, of the product if WOODS, in its sole discretion, deems it to be defective or in noncompliance with this Warranty. **The product must be returned to WOODS with proof of purchase within thirty (30) days after such defect or noncompliance is discovered or should have been discovered, routed through the dealer and distributor from whom the purchase was made, transportation charges prepaid.** WOODS shall complete such repair or replacement within a reasonable time after WOODS receives the product. THERE ARE NO OTHER REMEDIES UNDER THIS WARRANTY. THE REMEDY OF REPAIR OR REPLACEMENT IS THE SOLE AND EXCLUSIVE REMEDY UNDER THIS WARRANTY.

THERE ARE NO WARRANTIES WHICH EXTEND BEYOND THE DESCRIPTION ON THE FACE OF THIS WARRANTY. WOODS MAKES NO OTHER WARRANTY, EXPRESS OR IMPLIED, AND WOODS SPECIFICALLY DISCLAIMS ANY IMPLIED WARRANTY OF MERCHANTABILITY AND/OR ANY IMPLIED WARRANTY OF FITNESS FOR A PARTICULAR PURPOSE.

**WOODS shall not be liable for any incidental or consequential losses, damages or expenses, arising directly or indirectly from the product, whether such claim is based upon breach of contract, breach of warranty, negligence, strict liability in tort or any other legal theory.** Without limiting the generality of the foregoing, Woods specifically disclaims any damages relating to (i) lost profits, business, revenues or goodwill; (ii) loss of crops; (iii) loss because of delay in harvesting; (iv) any expense or loss incurred for labor, supplies, substitute machinery or rental; or (v) any other type of damage to property or economic loss.

This Warranty is subject to any existing conditions of supply which may directly affect WOODS' ability to obtain materials or manufacture replacement parts.

No agent, representative, dealer, distributor, serviceperson, salesperson, or employee of any company, including without limitation, WOODS, its authorized dealers, distributors, and service centers, is authorized to alter, modify, or enlarge this Warranty.

**This Warranty is effective only if the warranty registration card is returned within ten (10) days.**

Answers to any questions regarding warranty service and locations may be obtained by contacting:

## Woods Equipment Company

2606 Illinois Route 2 South  
Post Office Box 1000  
Oregon, Illinois 61061

815-732-2141 tel  
815-732-7580 fax

# WOODS®

**WOODS  
GANNON  
ALLOWAY  
GILL  
GANNONBMP  
WAIN ROY  
CF  
ALITEC**

# WARRANTY

(Replacement Parts For All Models Except Mow'n Machines)

WEC Company, d/b/a Woods Equipment Company ("WOODS"), warrants this product to be free from defect in material and workmanship for a period of ninety (90) days from the date of delivery of the product to the original purchaser with the exception of V-belts, which will be free of defect in material and workmanship for a period of 12 months.

Under no circumstances will this Warranty apply in the event that the product, in the good faith opinion of WOODS, has been subjected to improper operation, improper maintenance, misuse, or an accident. This Warranty does not cover normal wear or tear, or normal maintenance items.

This Warranty is extended solely to the original purchaser of the product. Should the original purchaser sell or otherwise transfer this product to a third party, this Warranty does not transfer to the third party purchaser in any way. There are no third party beneficiaries of this Warranty.

WOODS' obligation under this Warranty is limited to, at WOODS' option, the repair or replacement, free of charge, of the product if WOODS, in its sole discretion, deems it to be defective or in noncompliance with this Warranty. **The product must be returned to WOODS with proof of purchase within thirty (30) days after such defect or noncompliance is discovered or should have been discovered, routed through the dealer and distributor from whom the purchase was made, transportation charges pre-paid.** WOODS shall complete such repair or replacement within a reasonable time after WOODS receives the product. **THERE ARE NO OTHER REMEDIES UNDER THIS WARRANTY. THE REMEDY OF REPAIR OR REPLACEMENT IS THE SOLE AND EXCLUSIVE REMEDY UNDER THIS WARRANTY.**

THERE ARE NO WARRANTIES WHICH EXTEND BEYOND THE DESCRIPTION ON THE FACE OF THIS WARRANTY. WOODS MAKES NO OTHER WARRANTY, EXPRESS OR IMPLIED, AND WOODS SPECIFICALLY DISCLAIMS ANY IMPLIED WARRANTY OF MERCHANTABILITY AND/OR ANY IMPLIED WARRANTY OF FITNESS FOR A PARTICULAR PURPOSE.

**WOODS shall not be liable for any incidental or consequential losses, damages or expenses, arising directly or indirectly from the product, whether such claim is based upon breach of contract, breach of warranty, negligence, strict liability in tort or any other legal theory.** Without limiting the generality of the foregoing, Woods specifically disclaims any damages relating to (i) lost profits, business, revenues or goodwill; (ii) loss of crops; (iii) loss because of delay in harvesting; (iv) any expense or loss incurred for labor, supplies, substitute machinery or rental; or (v) any other type of damage to property or economic loss.

This Warranty is subject to any existing conditions of supply which may directly affect WOODS' ability to obtain materials or manufacture replacement parts.

No agent, representative, dealer, distributor, service person, salesperson, or employee of any company, including without limitation, WOODS, its authorized dealers, distributors, and service centers, is authorized to alter, modify, or enlarge this Warranty.

Answers to any questions regarding warranty service and locations may be obtained by contacting:

**Woods Equipment  
Company**

2606 Illinois Route 2 South  
Post Office Box 1000  
Oregon, Illinois 61061

815-732-2141 tel  
815-732-7580 fax

PART NO.  
**MAN0063**

**WOODS**<sup>®</sup>

**WOODS  
GANNON  
ALLOWAY  
GILL  
GANNONBMP  
WAIN ROY  
CF  
ALITEC**

## Free Manuals Download Website

<http://myh66.com>

<http://usermanuals.us>

<http://www.somanuals.com>

<http://www.4manuals.cc>

<http://www.manual-lib.com>

<http://www.404manual.com>

<http://www.luxmanual.com>

<http://aubethermostatmanual.com>

Golf course search by state

<http://golfingnear.com>

Email search by domain

<http://emailbydomain.com>

Auto manuals search

<http://auto.somanuals.com>

TV manuals search

<http://tv.somanuals.com>