

MODEL D3736

Palm Finishing Sander



OWNER'S MANUAL

Phone: (360) 734-3482 • Online Technical Support: tech-support@shopfox.biz

COPYRIGHT © MARCH, 2008 BY WOODSTOCK INTERNATIONAL, INC.,
WARNING: NO PORTION OF THIS MANUAL MAY BE REPRODUCED IN ANY SHAPE OR FORM WITHOUT
THE WRITTEN APPROVAL OF WOODSTOCK INTERNATIONAL, INC.

#10536BL Printed in China

WARNING

This manual provides critical safety instructions on the proper setup, operation, maintenance, and service of this machine/equipment.

Failure to read, understand, and follow the instructions given in this manual may result in serious personal injury, including amputation, electrocution, or death.

The owner of this machine/equipment is solely responsible for its safe use. This responsibility includes, but is not limited to, proper installation in a safe environment, personnel training and usage authorization, proper inspection and maintenance, manual availability and comprehension, application of safety devices, blade/cutter integrity, and the usage of personal protective equipment.

The manufacturer will not be held liable for injury or property damage from negligence, improper training, machine modifications, or misuse.

WARNING

Some dust created by power sanding, sawing, grinding, drilling, and other construction activities contains chemicals known to the State of California to cause cancer, birth defects, or other reproduction harm. Some examples of these chemicals are:

- Lead from lead-based paints.
- Crystalline silica from bricks, cement, and other masonry products.
- Arsenic and chromium from chemically-treated lumber.

Your risk from these exposures varies, depending on how often you do this type of work. To reduce your exposure to these chemicals: Work in a well ventilated area, and work with approved safety equipment, such as those dust masks that are specially designed to filter out microscopic particles.

SAFETY

WARNING

For Your Own Safety Read Instruction Manual Before Operating This Equipment

The purpose of safety symbols is to attract your attention to possible hazardous conditions. This manual uses a series of symbols and signal words which are intended to convey the level of importance of the safety messages. The progression of symbols is described below. Remember that safety messages by themselves do not eliminate danger and are not a substitute for proper accident prevention measures.

DANGER

Indicates an imminently hazardous situation which, if not avoided, **WILL** result in death or serious injury.

WARNING

Indicates a potentially hazardous situation which, if not avoided, **COULD** result in death or serious injury.

CAUTION

Indicates a potentially hazardous situation which, if not avoided, **MAY** result in minor or moderate injury. It may also be used to alert against unsafe practices.

NOTICE

This symbol is used to alert the user to useful information about proper operation of the equipment.

WARNING

Safety Instructions for Machinery

1. **READ THROUGH THE ENTIRE MANUAL BEFORE STARTING MACHINERY.** Machinery presents serious injury hazards to untrained users.
2. **ALWAYS USE ANSI APPROVED SAFETY GLASSES WHEN OPERATING MACHINERY.** Everyday eyeglasses only have impact resistant lenses, they are **NOT** safety glasses.
3. **ALWAYS WEAR A NIOSH APPROVED RESPIRATOR WHEN OPERATING MACHINERY THAT PRODUCES DUST.** Wood dust is a carcinogen and can cause cancer and severe respiratory illnesses.
4. **ALWAYS USE HEARING PROTECTION WHEN OPERATING MACHINERY.** Machinery noise can cause permanent hearing damage.
5. **WEAR PROPER APPAREL.** **DO NOT** wear loose clothing, gloves, neckties, rings, or jewelry which may get caught in moving parts. Wear protective hair covering to contain long hair and wear non-slip footwear.
6. **DO NOT USE UNDER INFLUENCE OF DRUGS OR ALCOHOL.**

WARNING

7. **ONLY ALLOW TRAINED AND PROPERLY SUPERVISED PERSONNEL TO OPERATE MACHINERY.** Make sure operation instructions are safe and clearly understood.
8. **KEEP CHILDREN AND VISITORS AWAY.** Keep all children and visitors a safe distance from the work area.
9. **MAKE WORKSHOP CHILD PROOF.** Use padlocks, master switches, and remove switch keys.
10. **NEVER LEAVE WHEN MACHINE IS RUNNING.** Turn power off and allow all moving parts to come to a complete stop before leaving machine unattended.
11. **DO NOT USE IN DANGEROUS ENVIRONMENTS. DO NOT** use machinery in damp, wet locations, or where any flammable or noxious fumes may exist.
12. **USE A GROUNDED EXTENSION CORD RATED FOR THE MACHINE AMPERAGE.** Undersized cords overheat and lose power. Replace extension cords if they become damaged. **DO NOT** use extension cords for 220V machinery.
13. **ALWAYS DISCONNECT FROM POWER SOURCE BEFORE SERVICING MACHINERY.** Make sure switch is in OFF position before reconnecting.
14. **MAINTAIN MACHINERY WITH CARE.** Keep blades sharp and clean for best and safest performance. Follow instructions for lubricating and changing accessories.
15. **KEEP WORK AREA CLEAN AND WELL LIT.** Clutter and dark shadows may cause accidents.
16. **REMOVE ADJUSTING KEYS AND WRENCHES.** Make a habit of checking for keys and adjusting wrenches before turning machinery **ON**.
17. **CHECK FOR DAMAGED PARTS BEFORE USING MACHINERY.** Check for binding and alignment of parts, broken parts, part mounting, loose bolts, and any other conditions that may affect machine operation. Repair or replace damaged parts.
18. **USE RECOMMENDED ACCESSORIES.** Refer to the instruction manual for recommended accessories. The use of improper accessories may cause risk of injury.
19. **DO NOT FORCE MACHINERY.** Work at the speed for which the machine or accessory was designed.
20. **SECURE WORKPIECE.** Use clamps or a vise to hold the workpiece when practical. A secured workpiece protects your hands and frees both hands to operate the machine.
21. **DO NOT OVERREACH.** Keep proper footing and balance at all times.
22. Be aware that certain woods may cause an allergic reaction in people and animals, especially when exposed to fine dust. Make sure you know what type of wood dust you will be exposed to and always wear an approved respirator.

WARNING

Additional Safety Instructions for the Palm Finishing Sander

- 1. HAND PROTECTION.** DO NOT place hands near, or in contact with, sanding base during operation. Sandpaper has the capability of removing skin.
- 2. INSPECTING WORKPIECES.** Always inspect workpiece for nails, staples, knots, and other imperfections that could be dislodged and tear the paper or cause you to lose your grip on the sander.
- 3. DRY SANDING:** Only use this sander for dry sanding. Serious personal injury or death could result from electrical shock if sander is used for wet sanding!
- 4. TRANSPORTING:** DO NOT carry a plugged-in sander with your finger on the ON/OFF switch. Do not carry the sander by the power cord.
- 5. VIBRATION GENERATED INJURIES:** Limit prolonged exposure to this tool and take regular breaks. Prolonged exposure to vibrations from hand-held tools may result in a variety of neurological and vascular disorders.

INTRODUCTION

Woodstock Technical Support

This Model D3736 Palm Finishing Sander has been specially designed to provide many years of trouble-free service. Close attention to detail, ruggedly built parts and a rigid quality control program assure safe and reliable operation.

Woodstock International, Inc. is committed to customer satisfaction. Our intent with this manual is to include the basic information for safety, setup, operation, maintenance, and service of this product.

We stand behind our tools! In the event that questions arise about your tool, please contact Woodstock International Technical Support at (360) 734-3482 or send e-mail to: tech-support@shopfox.biz. Our knowledgeable staff will help you troubleshoot problems and process warranty claims.

If you need the latest edition of this manual, you can download it from <http://www.shopfox.biz>.

If you have comments about this manual, please contact us at:

Woodstock International, Inc.
Attn: Technical Documentation
Manager

P.O. Box 2309

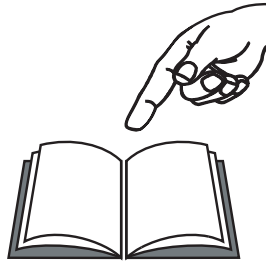
Bellingham, WA 98227

Email: manuals@woodstockint.com

Tool Data

Voltage110V
Amps 2
Vibrations Per Minute 10,000
Sandpaper Size 4¹/₄" x 4¹/₂" (1¹/₄ Sheet)
Weight3¹/₂ lbs.

WARNING



Read the manual before operation. Become familiar with this tool, its safety instructions, and its operation before beginning any work. Serious personal injury may result if safety or operational information is not understood or followed.

CAUTION

No list of safety guidelines can be complete. Every shop environment is different. Always consider safety first, as it applies to your individual working conditions. Use this and other tools with caution and respect. Failure to do so could result in serious personal injury, damage to equipment or poor work results.

SETUP

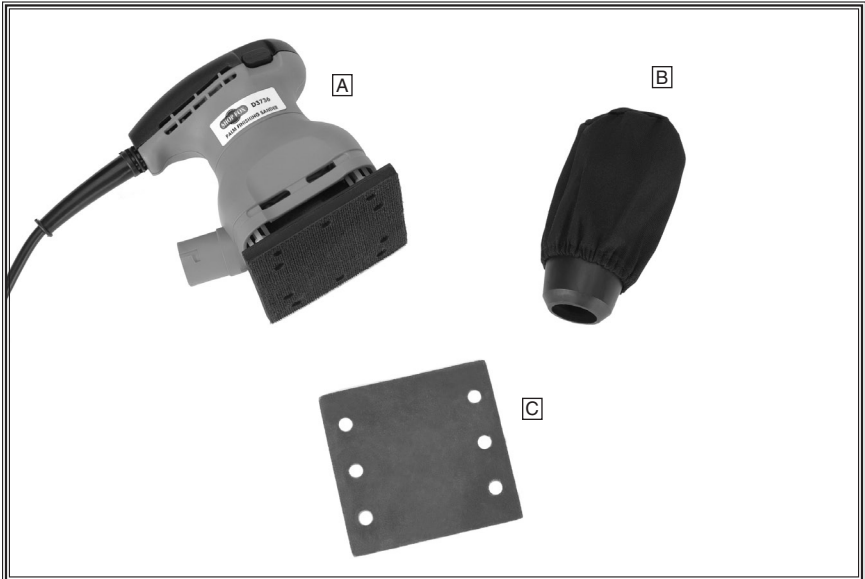
Unpacking

This sander has been carefully packaged for safe transportation. If you notice the tool has been damaged during shipping, please contact your authorized Shop Fox dealer immediately.

Inventory

The following is a description of the main components shipped with the Model D3736. Lay the components out to inventory them.

Note: *If you can't find an item on this list, check the mounting location on the tool or examine the packaging materials carefully. Occasionally we pre-install certain components for safer shipping.*



Model D3736 Inventory	Qty
A. Palm Finishing Sander	1
B. Dust Bag	1
C. 120 Grit Sandpaper	1

OPERATIONS

Getting Started

To test the sander, do these steps:

1. Plug the cord into a 110V outlet.
2. Move the switch (located at the front of the sander) to the “—” position to turn the sander **ON**, and move the switch to the “O” position to turn the sander **OFF**.

The sander should run smoothly. Strange or unusual noises should be investigated and corrected before operating further.

If you cannot easily locate the source of an unusual noise or vibration, contact Technical Support for help.

Selecting Abrasives

The best results from your D3736 Palm Finishing Sander will be accomplished using the proper grit of coated abrasive.

As a general rule, start with a coarse grit size and move through finer grit sizes until you achieve your desired finish.

Use the list below to define paper grit sizes:

- Extra.Coarse..... 12-20
- Very.Coarse..... 24-36
- Coarse..... 40-50
- Medium..... 60-100
- Fine..... 120-180
- Very.Fine..... 220-280
- Extra.Fine..... 320-400

Any time you are unsure about which grit to begin with, experiment on a hidden area of your project. Ideally, you want to achieve the balance of removing defects without damaging your work.

Aluminum oxide and silicon carbide abrasives are an excellent choice because they last longer and are sharper than natural abrasives.

Attaching Abrasives

If you have not read the safety instructions in this manual, do not operate the sander.

This palm sander is designed to use $\frac{1}{4}$ sheets of sandpaper measuring $4\frac{1}{4}$ " x $4\frac{1}{2}$ ". You may purchase $4\frac{1}{2}$ " x $5\frac{1}{2}$ " sandpaper and cut it to size, or cut standard 9" x 11" sanding sheets into 4 pieces each measuring $4\frac{1}{4}$ " x $4\frac{1}{2}$ ", or cut sheets out of a $4\frac{1}{2}$ " wide sanding roll.

To attach the sandpaper, do these steps:

1. UNPLUG THE SANDER FROM POWER SOURCE!
2. Hold the sander upside down with its top against a flat, stable surface.
3. Place the sandpaper over the base and align the holes in the paper with holes in the base (Figure 1).

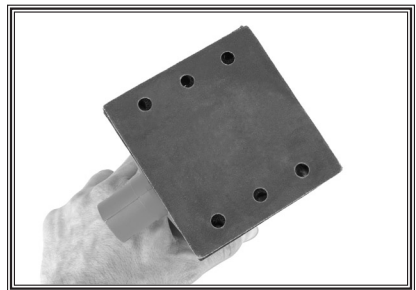


Figure 1. Sandpaper and base holes aligned.

Tip: *Try using the sandpaper that came with your sander as a template for cutting holes in new 1/4 sheets to match those on the bottom of the sander—so the dust bag can collect dust particles. Use a paper punch to cut the holes; or mark the holes, score them with a sharp knife, and cut them out.*

Attaching Dust Bag

Using the dust bag will help keep your work area clean and reduce dust particle emission.

To install the dust bag, do these steps:

1. Insert the dust bag spout into the dust port and make sure it fits snugly.
2. When the dust bag is half full, remove the dust bag from the sander and empty it into a trash receptacle by gently tapping on the side of the bag.

Always wear a respirator or dust mask and safety glasses when emptying the dust bag.

Using the Sander

Determine the appropriate grit size for your project and sand the work evenly in the same direction as the grain of the wood. Always keep the sander moving so the finish of your work stays consistent. If the sander stays in one place too long, then it may produce a depression in the wood that will compromise your finish.

Sanding across the grain of the wood may be necessary in some cases to remove rough defects. This should be done with caution, however, because it can produce cross-grain scratching that will require further sanding to remove.



Change sheets as soon as the grit becomes dull. And, never apply excessive force while sanding. Your sander and paper will last longer if you let them do the work.

MAINTENANCE

General

Regular periodic maintenance on your Model D3736 Palm Finishing Sander will ensure its optimum performance. Make a habit of inspecting your sander each time you use it. Check for the following conditions and repair or replace when necessary:

- Loose fasteners.
- Worn switch.
- Worn or damaged cords and plugs.
- Worn or damaged sanding pad.
- Any other condition that could hamper the safe operation of this tool.

Keeping Tool Clean

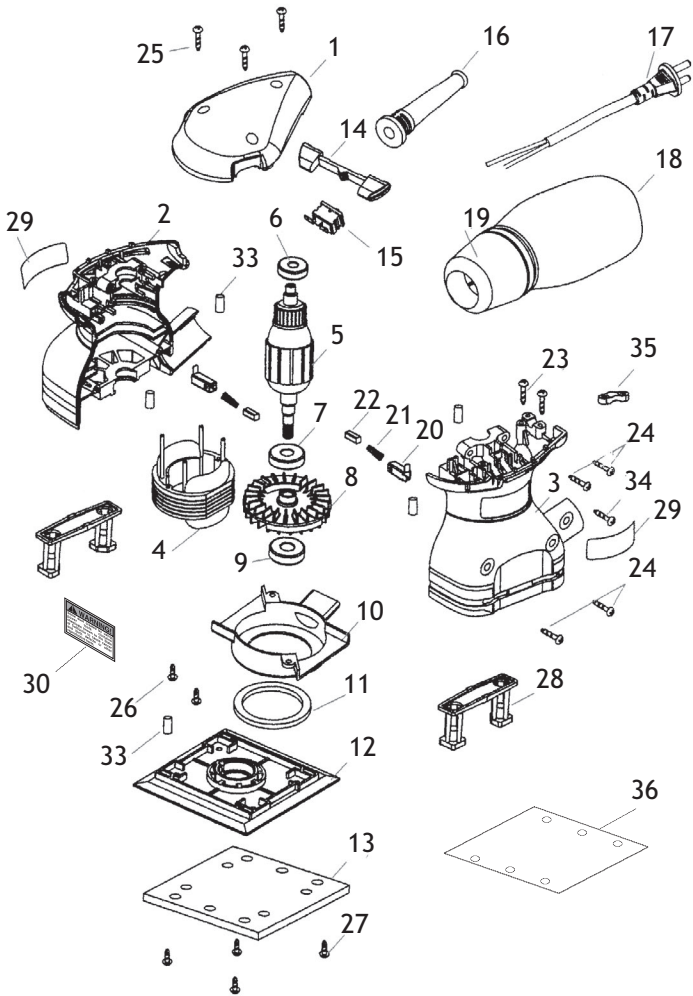
Your Model D3736 Palm Finishing Sander will give you years of trouble free service if you keep it clean and free of built-up dust or grime. Ensure that no air passages get blocked. If they do, blow them out with compressed air.

CAUTION: Unprotected eyes can be injured by dust particles propelled by compressed air. ALWAYS wear safety glasses and a dust mask when cleaning the sander with compressed air.

Plastic parts can easily be cleaned with a damp cloth, but never use water to clean any electrical parts. Solvents should also be avoided on plastic because of the possibility of damage.

If possible, use a scraper to remove glue or sap from your work; these elements may hinder the effectiveness of the abrasive sheets and cause unnecessary build-up of grime on the sander.

D3736 PARTS BREAKDOWN



D3736 PARTS LIST

REF	PART #	DESCRIPTION
1	XD3736001	TOP HOUSING COVER
2	XD3736002	LEFT HOUSING
3	XD3736003	RIGHT HOUSING
4	XD3736004	STATOR
5	XD3736005	ROTOR
6	XP609	BALL BEARING 609
7	XP627	BALL BEARING 627
8	XD3736008	ALUMINUM FAN
9	XP6000	BALL BEARING 6000ZZ
10	XD3736010	PARTITION
11	XD3736011	SPACER
12	XD3736012	BASE PLATE
13	XD3736013	FOAM PLATE
14	XD3736014	TOGGLE BAR
15	XPSW07	SWITCH
16	XD3736016	POWER CORD GUARD
17	XD3736017	POWER CORD 18AWG X 3C

REF	PART #	DESCRIPTION
18	XD3736018	DUST BAG
19	XD3736019	DUST BAG BRACKET
20	XD3736020	BRUSH BOX
21	XD3736021	CARBON BRUSH
22	XD3736022	BRUSH HOLDER
23	XPHTEK39M	TAP SCREW M4 X 12
24	XPHTEK6M	TAP SCREW M4 X 16
25	XPHTEK31M	TAP SCREW M4 X 14
26	XPHTEK39M	TAP SCREW M4 X 12
27	XPHTEK39M	TAP SCREW M4 X 12
28	XD3736028	BRACKET
29	XD3736029	MODEL NUMBER LABEL
30	XD3736030	DUST WARNING LABEL
33	XD3736033	RUBBER POLE
34	XPHTEK11M	TAP SCREW M3 X 8
35	XD3736035	PRESS BOARD
36	XD3736036	120 GRIT SANDPAPER 4-1/4" X 4-1/2"

Troubleshooting

Symptom	Possible Cause	Possible Solution
Reduced amount of material removed by sander, quality of finish decreases, sander slides easily across workpiece.	<ol style="list-style-type: none"> 1. Sandpaper clogged with paint or glue. 2. Sandpaper grit dull. 	<ol style="list-style-type: none"> 1. Replace sandpaper. 2. Replace sandpaper
Sander generates excessive dust particles.	<ol style="list-style-type: none"> 1. Dust bag full. 2. Holes on sandpaper not aligned with holes in sander base. 3. Sandpaper lacks holes. 4. Holes in sander base clogged. 	<ol style="list-style-type: none"> 1. Empty dust bag. 2. Use abrasive paper with pre-punched holes that match holes on base. 3. Cut or punch holes in sandpaper to match holes on sander base. 4. Clean dust collection holes in base with dry compressed air.
Sander runs slowly, becomes hot, or sanding efficiency decreased.	<ol style="list-style-type: none"> 1. Excessive pressure placed on sander. 2. Brushes are at fault. 3. Motor is at fault. 	<ol style="list-style-type: none"> 1. Apply less pressure on sander. 2. Replace brushes. 3. Replace motor.
Sander fails to start.	<ol style="list-style-type: none"> 1. Sander plug prongs loose in wall outlet. 2. Switch clogged with dust. 	<ol style="list-style-type: none"> 1. Plug sander back into outlet so they fit snugly. 2. Clean switch.

Repair

All quality tools will eventually wear from normal use. Since this sander is encased in an insulated plastic cover, leave repair and service issues to a qualified service technician. This includes brush replacement, lubrication or any other internal operation.

See the **Parts Breakdown** on **Page 9** for replacement parts.

You can replace the rubber backing pad that holds the abrasive sheet if it becomes worn. Remove the four screws that hold the backing plate to the body of the sander and replace with a new rubber backing piece, installing the reverse of removal. Make sure you tighten the rubber backing screws sufficiently, so you don't have problems when you resume operations.

⚠️ WARNING

Disassembly and improper reassembly of this device can result in electrical shock. Always have this device serviced by a qualified electrical repair technician to avoid serious injury.

WARRANTY AND RETURNS

Woodstock International, Inc. warrants its pneumatic equipment to be free of defects from workmanship and materials for a period of 1 year from the date of original purchase. The liability under this warranty shall not exceed the purchase price paid for the products and is limited to credit for, or replacement of the defective part.

We do not warrant or represent that the merchandise complies with the provision of any law or acts, and buyer assumes all risk and liability resulting from the use of the goods, whether using singly or in combination with other products.

This warranty does not apply to defects or damages due directly or indirectly from misuse, abuse, negligence, accidents, repairs or alterations, or lack of maintenance of our products. We shall in no event be liable for death or injuries to persons or property or for incidental, contingent, special or consequential damages arising from the use of our products. This disclaimer applies to both during and after the term of this warranty. Any legal actions brought against Woodstock International, Inc. shall be tried in the State of Washington, County of Whatcom.

Woodstock International, Inc. reserves the right to implement any changes in specifications or discontinue any products without notice.

Warranty Registration

Name _____

Street _____

City _____ State _____ Zip _____

Phone # _____ Email _____ Invoice # _____

Model # _____ Serial # _____ Dealer Name _____ Purchase Date _____

The following information is given on a voluntary basis. It will be used for marketing purposes to help us develop better products and services. Of course, all information is strictly confidential.

1. How did you learn about us?

Advertisement _____ Friend _____ Local Store _____
Mail Order Catalog _____ Website _____ Other: _____

2. How long have you been a woodworker/metalworker?

0-2 Years _____ 2-8 Years _____ 8-20 Years _____ 20+ Years _____

3. How many of your machines or tools are Shop Fox?

0-2 _____ 3-5 _____ 6-9 _____ 10+ _____

4. Do you think your machine represents a good value? _____ Yes _____ No

5. Would you recommend Shop Fox products to a friend? _____ Yes _____ No

6. What is your age group?

20-29 _____ 30-39 _____ 40-49 _____
50-59 _____ 60-69 _____ 70+ _____

7. What is your annual household income?

\$20,000-\$29,000 _____ \$30,000-\$39,000 _____ \$40,000-\$49,000 _____
\$50,000-\$59,000 _____ \$60,000-\$69,000 _____ \$70,000+ _____

8. Which of the following magazines do you subscribe to?

<input type="checkbox"/> Cabinet Maker	<input type="checkbox"/> Popular Mechanics	<input type="checkbox"/> Today's Homeowner
<input type="checkbox"/> Family Handyman	<input type="checkbox"/> Popular Science	<input type="checkbox"/> Wood
<input type="checkbox"/> Hand Loader	<input type="checkbox"/> Popular Woodworking	<input type="checkbox"/> Wooden Boat
<input type="checkbox"/> Handy	<input type="checkbox"/> Practical Homeowner	<input type="checkbox"/> Woodshop News
<input type="checkbox"/> Home Shop Machinist	<input type="checkbox"/> Precision Shooter	<input type="checkbox"/> Woodsmith
<input type="checkbox"/> Journal of Light Cont.	<input type="checkbox"/> Projects in Metal	<input type="checkbox"/> Woodwork
<input type="checkbox"/> Live Steam	<input type="checkbox"/> RC Modeler	<input type="checkbox"/> Woodworker West
<input type="checkbox"/> Model Airplane News	<input type="checkbox"/> Rifle	<input type="checkbox"/> Woodworker's Journal
<input type="checkbox"/> Modeltec	<input type="checkbox"/> Shop Notes	<input type="checkbox"/> Other: _____
<input type="checkbox"/> Old House Journal	<input type="checkbox"/> Shotgun News	

9. Comments: _____

CUT ALONG DOTTED LINE

FOLD ALONG DOTTED LINE



WOODSTOCK INTERNATIONAL INC.
P.O. BOX 2309
BELLINGHAM, WA 98227-2309



FOLD ALONG DOTTED LINE

TAPE ALONG EDGES--PLEASE DO NOT STAPLE

Free Manuals Download Website

<http://myh66.com>

<http://usermanuals.us>

<http://www.somanuals.com>

<http://www.4manuals.cc>

<http://www.manual-lib.com>

<http://www.404manual.com>

<http://www.luxmanual.com>

<http://aubethermostatmanual.com>

Golf course search by state

<http://golfingnear.com>

Email search by domain

<http://emailbydomain.com>

Auto manuals search

<http://auto.somanuals.com>

TV manuals search

<http://tv.somanuals.com>