

Model D4033 Shop Fox Drill Press Table Instruction Sheet



Phone #: (360) 734-3482 • Online Tech Support: tech-support@shopfox.biz • Web: www.shopfox.biz

⚠ WARNING

Damage to your eyes, lungs, and ears could result from using a drill press without protective gear, such as safety glasses, a respirator, and hearing protection.

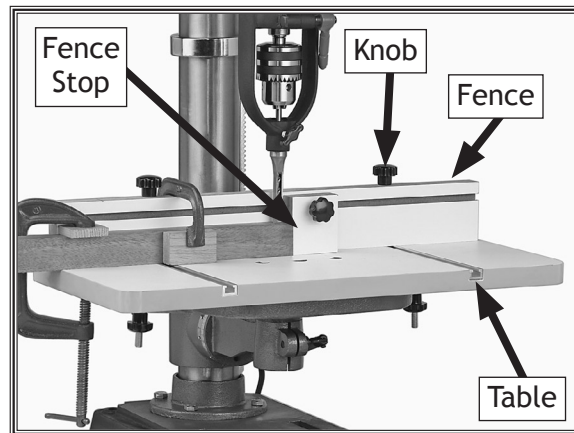


Figure 1. Drill press fitted with Model D4033 drill press table.

Specifications

Size 23³/₄" W x 11⁷/₈" D x 3" T
 Aluminum Insert T-Slots.....2
 Wooden T-Slots1
 Weight10¹/₂ lbs.
 ConstructionMelamine-Coated MDF
 Color White

Inventory (Refer to Figures 1 & 2)

| | Qty |
|------------------------|-----|
| Table | 1 |
| Fence | 1 |
| Fence Stop | 1 |
| Knobs | 5 |
| Clamp Assemblies | 2 |

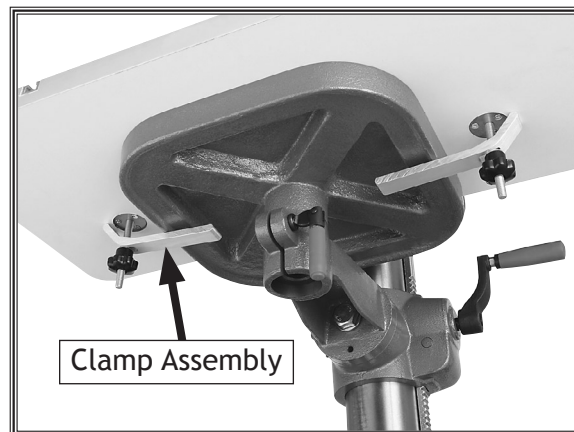


Figure 2. Installed table.

Installation

1. File down any nicks or burrs in the drill press table, clean the surface, then wipe a very light coat of machine oil on the table to prevent rust should any condensation occur.
2. Place the Model D4033 table onto the drill press table, align the clamps as shown in Figure 2, then snug them in place.

COPYRIGHT © JUNE, 2010 BY WOODSTOCK INTERNATIONAL, INC.

WARNING: NO PORTION OF THIS MANUAL MAY BE REPRODUCED IN ANY SHAPE OR FORM WITHOUT THE WRITTEN APPROVAL OF WOODSTOCK INTERNATIONAL, INC.

#12963JB

Printed in China

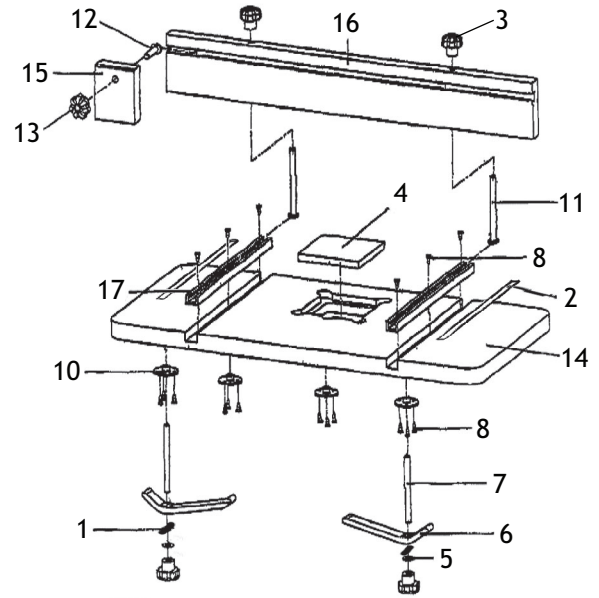
Operation

- Periodically verify the mounting clamps are snug, and never overtighten the hand knobs.
- To avoid drilling into the table, make sure that the drill press depth stop and drill bit alignment are correct.
- Use the table only in dry environments.
- Wipe down workpieces to ensure they are free of debris that may scratch the table.
- Remove the center plate (#4 in **Parts**) from the table if you need to perform a through-drilling operation.

Maintenance and Care

- Keep your cast iron drill table and column rust-free with regular applications of a high-quality rust preventive product.
- To avoid condensation and rust between the two tables, do not leave the Model D4033 table mounted on the drill press table for long periods of time.
- Clean the Model D4033 drill press table by vacuuming out T-slots when finished and wiping down the table and fence with any good household glass cleaner. Periodically lightly oil the hand knob threads and the studs.

Parts



| REF | PART # | DESCRIPTION |
|-----|-----------|---------------------------|
| 1 | XD4033001 | CLAMP BAR |
| 2 | XD4033002 | TAPE SCALE |
| 3 | XD4033003 | KNOB |
| 4 | XD4033004 | TABLE INSERT |
| 5 | XPW01M | FLAT WASHER 8MM |
| 6 | XD4033006 | HOLDDOWN |
| 7 | XD4033007 | STUD |
| 8 | XPFH39 | FLAT HEAD SCR 6-32 X 7/16 |
| 10 | XD4033010 | THREADED FLANGE |
| 11 | XD4033011 | T-SLOT BOLT M8-1.25 X 75 |
| 12 | XD4033012 | T-SLOT BOLT M8-1.25 X 35 |
| 13 | XD4033013 | KNOB M8-1.25 |
| 14 | XD4033014 | TABLE |
| 15 | XD4033015 | STOP BLOCK |
| 16 | XD4033016 | FENCE |
| 17 | XD4033017 | T-TRACK |

Free Manuals Download Website

<http://myh66.com>

<http://usermanuals.us>

<http://www.somanuals.com>

<http://www.4manuals.cc>

<http://www.manual-lib.com>

<http://www.404manual.com>

<http://www.luxmanual.com>

<http://aubethermostatmanual.com>

Golf course search by state

<http://golfingnear.com>

Email search by domain

<http://emailbydomain.com>

Auto manuals search

<http://auto.somanuals.com>

TV manuals search

<http://tv.somanuals.com>