

Model W1787 3/8" 2600 RPM Air Drill Instruction Sheet



Phone #: (360) 734-3482 • Online Tech Support: tech-support@shopfox.biz • Web: www.shopfox.biz

⚠ WARNING	
	EYE INJURY HAZARD! Always wear safety glasses during use to prevent serious personal injury!
	INJURY HAZARD! Always disconnect tool from air to prevent unexpected operation during service!
	INJURY HAZARD! Never exceed 120 PSI!



Figure 1. Model W1787.

Introduction

The Model W1787 is ideal for production drilling applications. It features a paddle switch with safety release, 2,600 RPM free speed and 3/8" drilling capacity. Recommended air pressure is 90 PSI and average air consumption is 6 CFM. Includes a 1/4" NPT air fitting and chuck key.

Inventory

- A. Air Drill.....1
- B. 1/4" NPT Air Fitting1
- C. Chuck Key.....1

Lubricating Your New Air Drill

Lubricate your air drill with pneumatic tool oil. If you do not have a lubricator installed in your air line, place 1-2 drops of pneumatic tool oil into the air fitting daily, as shown in Figure 3.

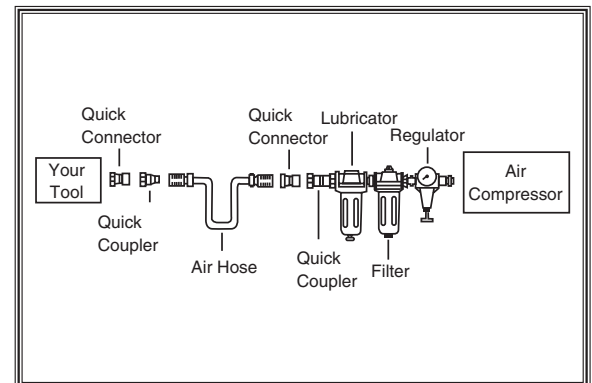


Figure 2. Installing your tool.

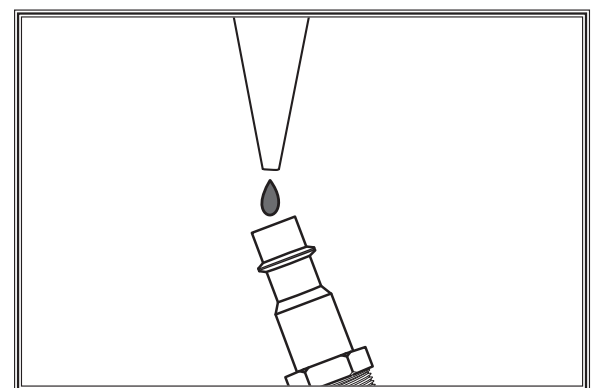


Figure 3. Lubricating directly into air fitting.

COPYRIGHT © JUNE, 2007 BY WOODSTOCK INTERNATIONAL, INC.

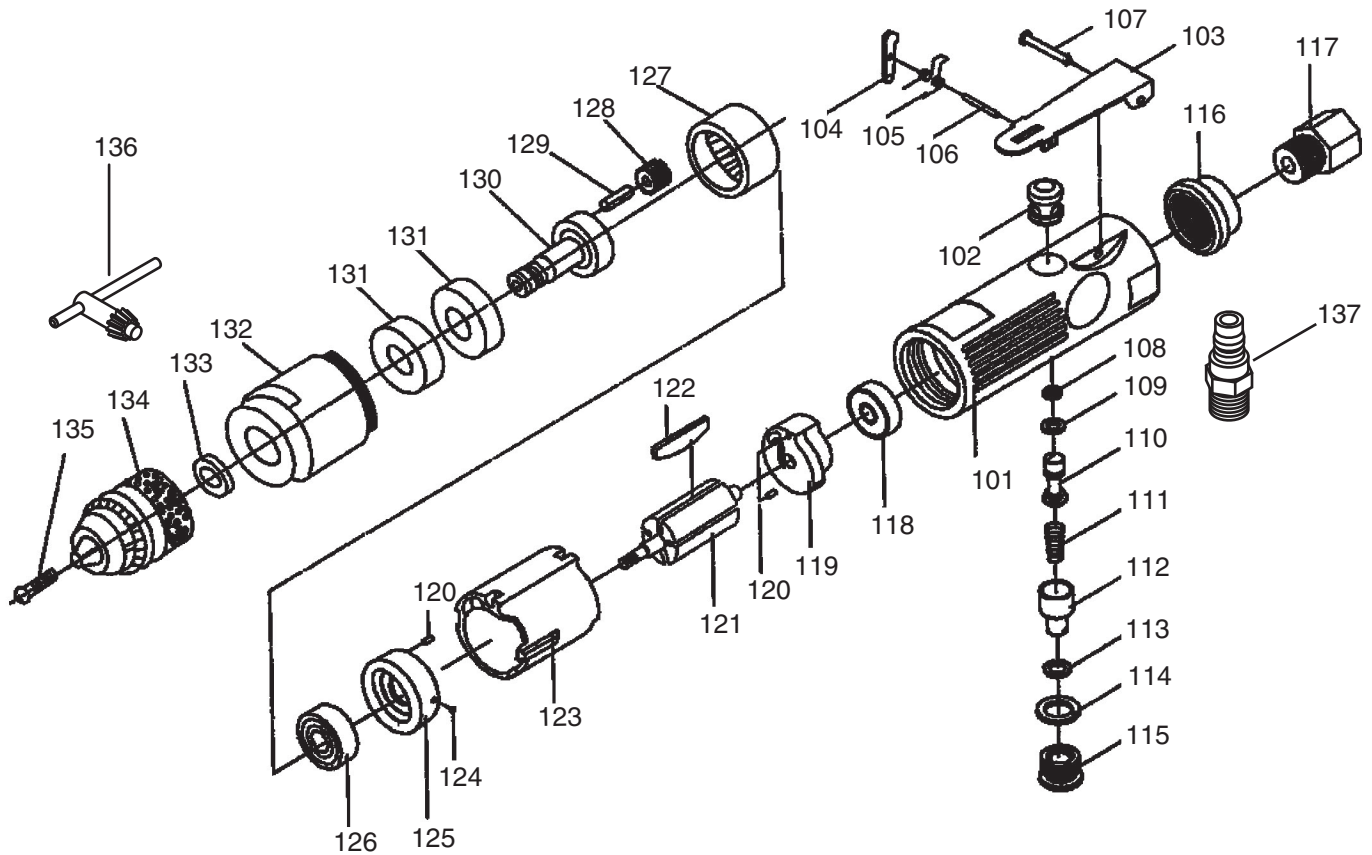
WARNING: NO PORTION OF THIS MANUAL MAY BE REPRODUCED IN ANY SHAPE OR FORM WITHOUT

#9574JM

THE WRITTEN APPROVAL OF WOODSTOCK INTERNATIONAL, INC.

Printed in China

W1787 Parts



REF	PART #	DESCRIPTION
101	X1787101	HOUSING
102	X1787102	VALVE BUSHING
103	X1787103	TRIGGER
104	X1787104	LEVER
105	X1787105	TORSION SPRING
106	X1787106	PIN
107	X1787107	PIN
108	X1787108	O-RING
109	X1787109	O-RING
110	X1787110	VALVE STEM
111	X1787111	COMPRESSION SPRING
112	X1787112	AIR REGULATOR
113	X1787113	O-RING
114	X1787114	O-RING
115	X1787115	VALVE PLUG
116	X1787116	MUFFLE COVER
117	X1787117	AIR INLET
118	X1787118	BEARING
119	X1787119	END PLATE

REF	PART #	DESCRIPTION
120	X1787120	STEEL PIN
121	X1787121	ROTOR
122	X1787122	ROTOR BLADE
123	X1787123	CYLINDER
124	X1787124	STEEL BALL
125	X1787125	REAR BEARING SLEEVE
126	X1787126	BEARING
127	X1787127	FRONT BEARING SLEEVE
128	X1787128	ROTOR
129	X1787129	PIN
130	X1787130	BEARING SHAFT
131	X1787131	BEARING
132	X1787132	CHUCK HOUSING
133	X1787133	SPACER
134	X1787134	CHUCK
135	X1787135	CHUCK SCREW
136	X1787136	CHUCK KEY
137	X1787137	1/4" NPT MALE AIR PLUG

Free Manuals Download Website

<http://myh66.com>

<http://usermanuals.us>

<http://www.somanuals.com>

<http://www.4manuals.cc>

<http://www.manual-lib.com>

<http://www.404manual.com>

<http://www.luxmanual.com>

<http://aubethermostatmanual.com>

Golf course search by state

<http://golfingnear.com>

Email search by domain

<http://emailbydomain.com>

Auto manuals search

<http://auto.somanuals.com>

TV manuals search

<http://tv.somanuals.com>