



# Instruction Sheet

## Model D3276 Spray Gun

### INTRODUCTION

The SHOP FOX® Spray Gun features a 1.5mm nozzle and 750cc paint canister that offers consistent spray patterns and fast coverage.

### SETUP

The Model D3276 accepts 1/4" NPT connectors. Mount an air regulator as close as possible to the spray gun. Use the adjustment knob on the regulator to set your working air pressure between 65-85 PSI.

### ADJUSTMENTS

See **Figure 1** to identify the location of the spray gun controls and adjust in the following order:

1. **Nozzle Control**—Adjusts the spray pattern from vertical to horizontal.
2. **Pattern Control**—Variably adjusts the spray pattern from round to a wide fan.
3. **Fluid Control**—Adjusts how far back the trigger can be pulled, which affects the volume of paint released.

### OPERATIONS

Hold the sprayer 8"-10" from the workpiece, and keep the spray gun perpendicular to the workpiece during strokes. **DO NOT pivot your wrist when spraying!**

### MAINTENANCE

1. Clean the spray gun by flushing it with thinner. **DO NOT immerse the gun in the thinner!**
2. To avoid internal damage, clean the air cap with the supplied brush.

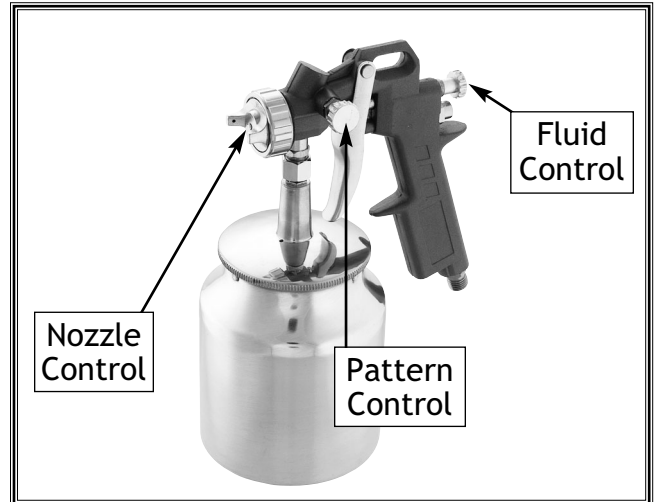
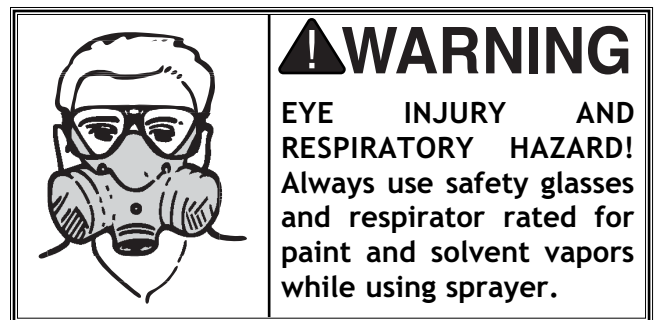
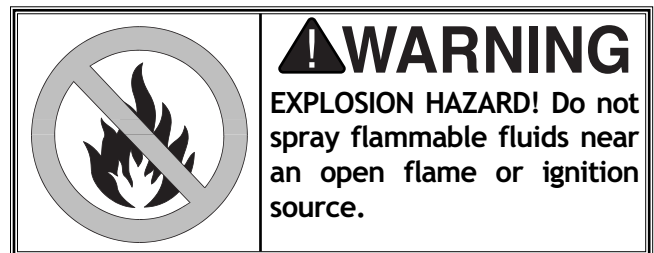


Figure 1. Model D3276.

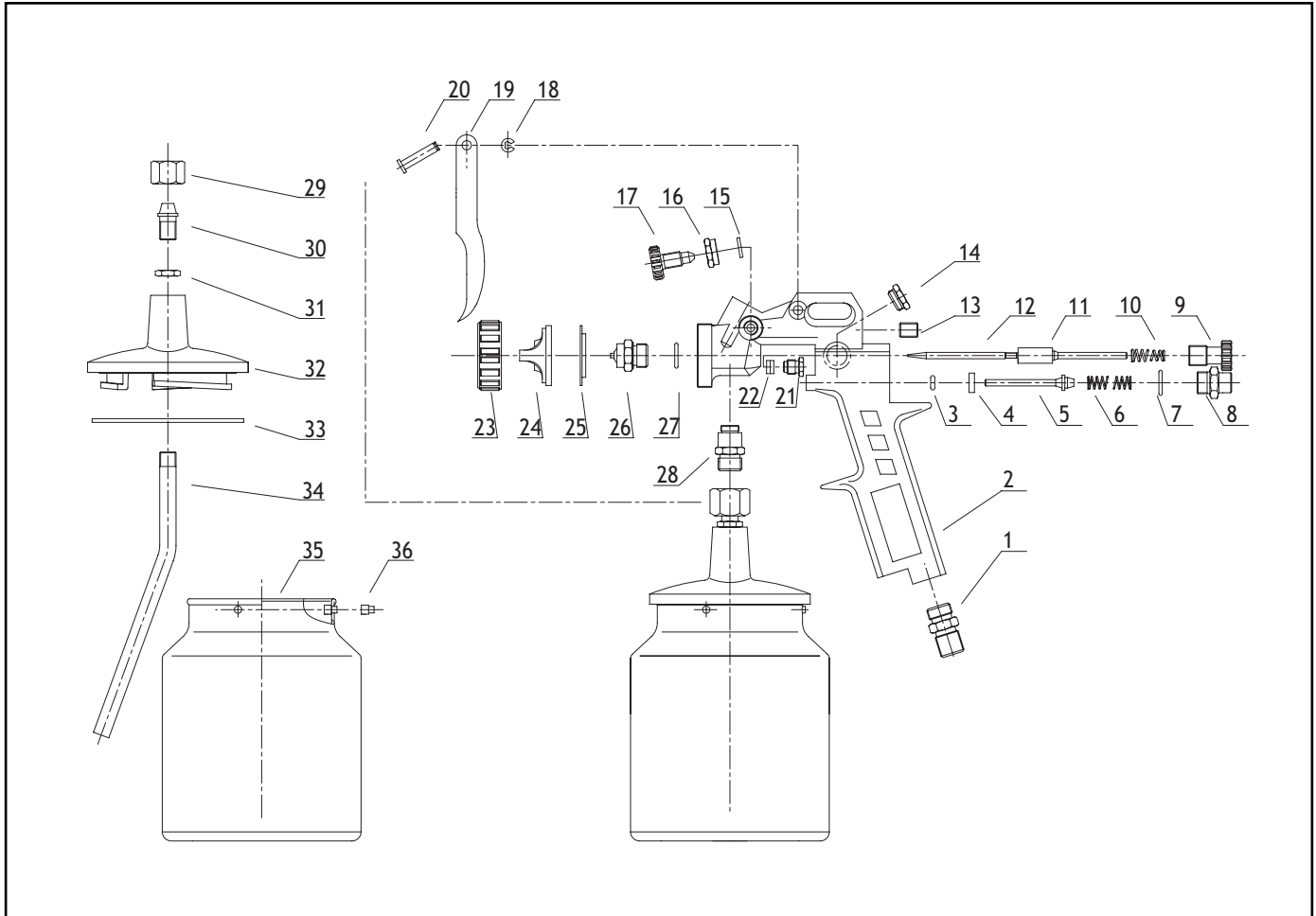


COPYRIGHT © BY WOODSTOCK INTERNATIONAL, INC.

**WARNING: NO PORTION OF THIS DOCUMENT MAY BE REPRODUCED IN ANY SHAPE OR FORM WITHOUT THE WRITTEN APPROVAL OF WOODSTOCK INTERNATIONAL, INC.**

SEPTEMBER 2003, PRINTED IN CHINA.

# D3276 Parts Diagram



REF	PART #	DESCRIPTION
1	XD3276001	AIR CONNECTOR
2	XD3276002	GUN BODY
3	XD3276003	O-RING
4	XD3276004	RECTANGULAR WASHER
5	XD3276005	AIR INLET VALVE
6	XD3276006	SWITCH SPRING
7	XD3276007	O-RING
8	XD3276008	PACKING SEAT
9	XD3276009	FLUID ADJ. KNOB
10	XD3276010	NEEDLE SPRING
11	XD3276011	NEEDLE SET 1
12	XD3276012	NEEDLE SET 2
13	XD3276013	SEALING UNIT
14	XD3276014	STOP RING
15	XD3276015	PATTERN ADJ. SEAT
16	XD3276016	O-RING
17	XD3276017	PATTERN ADJ. KNOB
18	XPEC02M	E-RING 4MM

REF	PART #	DESCRIPTION
19	XD3276019	TRIGGER
20	XD3276020	TRIGGER PIN
21	XD3276021	DIRECTION SCREW
22	XD3276022	SPACER
23	XD3276023	O-RING
24	XD3276024	NOZZLE
25	XD3276025	GASKET FOR AIR CAP
26	XD3276026	AIR CAP SET
27	XD3276027	ROUND NUT
28	XD3276028	PAINT INLET PLUG
29	XD3276029	FEMALE CONNECTOR
30	XD3276030	PAINT-IN NOZZLE
31	XD3276031	SMALL SPACER NUT
32	XD3276032	LID
33	XD3276033	GASKET
34	XD3276034	SUCTION TUBE
35	XD3276035	ALUMINUM CUP
36	XD3276036	CUP RIVET

## Free Manuals Download Website

<http://myh66.com>

<http://usermanuals.us>

<http://www.somanuals.com>

<http://www.4manuals.cc>

<http://www.manual-lib.com>

<http://www.404manual.com>

<http://www.luxmanual.com>

<http://aubethermostatmanual.com>

Golf course search by state

<http://golfingnear.com>

Email search by domain

<http://emailbydomain.com>

Auto manuals search

<http://auto.somanuals.com>

TV manuals search

<http://tv.somanuals.com>