



MODEL W1679 6" Jointer



INSTRUCTION MANUAL

Phone: 1-360-734-3482 • On-Line Technical Support: tech-support@woodstockint.com

COPYRIGHT © JULY, 2002 BY WOODSTOCK INTERNATIONAL, INC.

**WARNING: NO PORTION OF THIS MANUAL MAY BE REPRODUCED IN ANY SHAPE OR FORM WITHOUT
THE WRITTEN APPROVAL OF WOODSTOCK INTERNATIONAL, INC.**

Printed in Taiwan

WARNING

Some dust created by power sanding, sawing, grinding, drilling, and other construction activities contains chemicals known to the State of California to cause cancer, birth defects or other reproductive harm. Some examples of these chemicals are:

- Lead from lead-based paints.
- Crystalline silica from bricks, cement, and other masonry products.
- Arsenic and chromium from chemically treated lumber.

Your risk from these exposures varies, depending on how often you do this type of work. To reduce your exposure to these chemicals: work in a well ventilated area, and work with approved safety equipment, such as those dust masks that are specially designed to filter out microscopic particles.

Table Of Contents

	PAGE
1. INTRODUCTION.....	2
About Your New Jointer	2
Woodstock Service And Support	2
Warranty And Returns.....	3
Machine Specifications	3
2. SAFETY	4
Standard Safety Instructions	4-5
Jointer Safety	6
Avoiding Potential Injuries	7
110V Operation	8
Extension Cords.....	8
Grounding	8
220V Operation	9
Extension Cords.....	9
Grounding	9
3. ASSEMBLY INSTRUCTIONS	10
Unpacking	10
Box Contents.....	10
Shop Preparation	11
Cleaning Machine	11
Beginning	12
Mounting Jointer	12
Installing V-belt	12
Dust Port	13
Installing Fence	13-14
Cutterhead Guard.....	14
Belt Cover	15
Knife Gauge	15
Control Panel	15
Checking Knives.....	16
Adjusting Knives	17
Table Gibs	18
Adjusting Tables	18-19
Fence Stops	20
4. OPERATIONS	21
Starting Jointer	21
Basic Operations	21
Operation Musts.....	22
Surface Planing	23
Edge Jointing	24
Bevel Cutting	25
Rabbit Cutting	26
5. MAINTENANCE	27
General	27
Table Surface	27
Lubrication	28
Sharpening Knives	28
Troubleshooting.....	29-30
Wiring Diagram	31
6. CLOSURE	32
Parts Breakdowns and Parts Lists	23-38
Warranty Information	39-40

USE THE QUICK GUIDE PAGE LABELS TO SEARCH OUT INFORMATION FAST!





INTRODUCTION

About Your New Jointer

Your new Shop Fox® Jointer has been specially designed to provide many years of trouble-free service. Close attention to detail, ruggedly built parts and a rigid quality control program assure safe and reliable operation.

The Model W1679 is capable of a wide variety of surface jointing/planing, edge jointing, beveling and rabbeting operations. The handwheels allow you to make precision table adjustments, the control panel is easily accessible and the solid cabinet provides a vibration dampening base for smooth-quality cuts.

Woodstock International, Inc. is committed to customer satisfaction in providing this manual. It is our intent to make sure all the information necessary for safety, ease of assembly, practical use and durability of this product be included.

If you should have any comments regarding this manual, please feel free to contact us at:

Woodstock International, Inc.
Attn: Technical Department
P.O. Box 2309
Bellingham, WA 98227

Woodstock Service And Support

We stand behind our machines! In the event that a defect is found, parts are missing or questions arise about your machine, please contact Woodstock International Service and Support at 1-360-734-3482 or send e-mail to: tech-support@woodstockint.com. Our knowledgeable staff will help you troubleshoot problems, send out parts or arrange warranty returns.

Warranty And Returns

Woodstock International, Inc. warrants all SHOP FOX® machinery to be free of defects from workmanship and materials for a period of 2 years from the date of original purchase by the original owner. This warranty does not apply to defects due directly or indirectly to misuse, abuse, negligence or accidents, lack of maintenance, or to repairs or alterations made or specifically authorized by anyone other than Woodstock International, Inc.

Woodstock International, Inc. will repair or replace, at its expense and at its option, the SHOP FOX® machine or machine part which in normal use has proven to be defective, provided that the original owner returns the product prepaid to the SHOP FOX® factory service center or authorized repair facility designated by our Bellingham, WA office, with proof of their purchase of the product within 2 years, and provides Woodstock International, Inc. reasonable opportunity to verify the alleged defect through inspection. If it is determined there is no defect, or that the defect resulted from causes not within the scope of Woodstock International Inc.'s warranty, then the original owner must bear the cost of storing and returning the product.

This is Woodstock International, Inc.'s sole written warranty and any and all warranties that may be implied by law, including any merchantability or fitness, for any particular purpose, are hereby limited to the duration of this written warranty. We do not warrant that SHOP FOX® machinery complies with the provisions of any law or acts. In no event shall Woodstock International, Inc.'s liability under this warranty exceed the purchase price paid for the product, and any legal actions brought against Woodstock International, Inc. shall be tried in the State of Washington, County of Whatcom. We shall in no event be liable for death, injuries to persons or property or for incidental, contingent, special or consequential damages arising from the use of our products.

Every effort has been made to ensure that all SHOP FOX® machinery meets high quality and durability standards. We reserve the right to change specifications at any time because of our commitment to continuously improve the quality of our products.

Machine Specifications

Motor Size:	1 HP, 110/220V, Single-Phase
Motor Speed:	3450 RPM
Amps:	14/7
Maximum Width of Cut:	6"
Maximum Depth of Cut:	1/8"
Maximum Rabbet:	1/2"
Cutterhead:	3 Knife, 3" Diameter
Cutterhead Speed:	5500 RPM
Cuts Per Minute:	16,500
Fence Tilt:	45° L, 90°, 45° R
Machine Weight:	235 lbs

SAFETY

**READ MANUAL BEFORE OPERATING MACHINE.
FAILURE TO FOLLOW INSTRUCTIONS BELOW WILL
RESULT IN PERSONAL INJURY.**



Indicates an imminently hazardous situation which, if not avoided, **WILL** result in death or serious injury.



Indicates a potentially hazardous situation which, if not avoided, **COULD** result in death or serious injury.



Indicates a potentially hazardous situation which, if not avoided, **MAY** result in minor or moderate injury, or **MAY** result in property damage.

NOTICE

This symbol is used to alert the user to useful information about proper operation of the equipment.

Standard Safety Instructions

1. **Thoroughly read the instruction manual before operating your machine.** Learn the applications, limitations and potential hazards of your machine. Keep this manual in a safe, convenient place for future reference.
2. **Keep the work area clean and well lighted.** Clutter and inadequate lighting invite potential hazards.
3. **Ground all tools.** If a machine is equipped with a three-prong plug, plug it into a three-hole grounded electrical outlet or grounded extension cord. If using an adapter to aid in accommodating a two-hole receptacle, ground using a screw to a known ground.
4. **Wear eye protection at all times.** Use safety glasses with side shields or safety goggles that meet the national safety standards, while operating this machine.
5. **Avoid dangerous environments.** Do not operate this machine in wet or open flame environments. Airborne dust particles could cause an explosion and severe fire hazard.
6. **Ensure all guards are securely in place and in working condition.**
7. **Make sure the power switch is in the "OFF" position** before connecting power to machine.
8. **Keep the work area clean, free of clutter, sawdust, dirt or grease.**
9. **Keep visitors at a safe distance away while operating this machine.**
10. **Childproof the workshop with padlocks, master switches or by removing starter keys.**
11. **Disconnect the machine when cleaning, adjusting or servicing.**

12. **Do not force the machine.** The machine will do a safer and better job at the rate for which it was designed.
13. **Use the correct tool.** Do not force the tool or attachment to do a job for which it was not designed.
14. **Wear the proper apparel.** Do not wear loose clothing, neck ties, gloves, jewelry, keep long hair tied up, etc.
15. **Remove all adjusting keys and wrenches.** Before turning the machine on, make it a habit to check that all adjusting keys and wrenches have been removed.
16. **Use proper extension cord.** Examine the extension cord to ensure it is in good condition. Use the chart below to determine the correct length and gauge of extension cord needed for your particular needs. The amp rating of the motor can be found on its nameplate. If the motor is dual voltage, be sure to use the amp rating for the voltage you will be using. If you use an extension cord with an undersized gauge or one that is too long, excessive heat will be generated within the circuit increasing the chance of a fire or damage to the circuit. Only use an extension cord that has a ground pin. Immediately replace an extension cord if it shows any signs of damage.
17. **Keep your footing stable and keep your balance** at all times.
18. **Do not leave machine the unattended.** Wait until it comes to a complete stop before leaving the area.
19. **Perform all machine maintenance**, and follow all lubrication instructions in this manual.
20. **Keep the machine away from open flame.** Operating machines near pilot lights and/or open flames creates a high risk if dust is dispersed in the area. Dust particles and an ignition source may cause an explosion. Do not operate the machine in high-risk areas, including but not limited to, those mentioned above.
21. **If at any time you are experiencing difficulties** performing the intended operation, stop using the machine! Then contact our service department or ask a qualified expert how the operation should be performed.
22. **Habits—good and bad—are hard to break.** Develop good habits in your shop and safety will become second-nature to you.

Extension Cord Requirements

Amp Rating	Length And Gauge		
	25ft	50ft	100ft
0-6	#18	#16	#16
7-10	#18	#16	#14
11-12	#16	#16	#14
13-16	#14	#12	#12
17-20	#12	#12	#10
21-30	#10	#10	No

⚠ WARNING



Always wear safety glasses or goggles when operating equipment. Operating this equipment creates the potential for flying debris to cause eye injury. Everyday glasses or reading glasses only have impact resistant lenses, they are not safety glasses. Be certain the safety glasses you wear meet the appropriate standards of the American National Standards Institute (ANSI).





Additional Safety Instructions For Jointers

1. **JOINTING SAFETY BEGINS WITH YOUR LUMBER.** Inspect your stock carefully before you feed it over the cutterhead. If you have any doubts about the stability or structural integrity of your stock, **DO NOT JOINT IT!**
2. **MAINTAIN THE PROPER ALIGNMENT** of the outfeed table with the cutterhead knife.
3. **ALWAYS USE PUSH BLOCKS WHEN JOINTING.** Never allow your hands to get near the cutterhead.
4. **SUPPORT AND MAINTAIN CONTROL OVER THE WORKPIECE** at all times during operation.
5. **WHEN JOINTING, DO NOT STAND DIRECTLY BEHIND THE WORKPIECE.** Position yourself just to the side of the infeed table to avoid possible kickbacks.
6. **NEVER MAKE CUTS** deeper than $\frac{1}{8}$ ".
7. **NEVER JOINT A BOARD THAT HAS LOOSE KNOTS.** All defects should be removed before use.
8. **JOINT WITH THE GRAIN.** Jointing against the grain is dangerous and could produce chatter or excessive chip out. **NEVER JOINT END GRAIN.**
9. **WITH THE EXCEPTION OF RABBETING,** all operations must be performed with the guard in place. After rabbeting, be sure to replace the guard.
10. **NEVER BACK THE WORK** toward the infeed table.
11. **HABITS—GOOD AND BAD—ARE HARD TO BREAK.** Develop good habits in your shop and safety will become second-nature to you.
12. **"KICKBACK"** is when the workpiece is thrown off the jointer table by the force of the cutterhead. Always use push blocks and safety glasses to reduce the likelihood of injury from "kickback." If you do not understand what kickback is, or how it occurs, **DO NOT** operate this machine.
13. **BE AWARE THAT CERTAIN WOODS MAY CAUSE AN ALLERGIC REACTION** in people and animals, especially when exposed to fine dust. Make sure you know what type of wood dust you will be exposed to and always wear an approved respirator.

 	<p>⚠️ WARNING</p> <p>Read and understand this entire instruction manual before performing any operations with your machine. Serious personal injury may occur if safety and operational information is not understood and is not followed. Do not risk your safety by not reading!</p>
--	---

<p>⚠️ CAUTION</p> <p>Use this and other machinery with caution and respect. Always consider safety first, as it applies to your individual working conditions. No list of safety guidelines can be complete—every shop environment is different. Failure to follow guidelines could result in serious personal injury, damage to equipment or poor work results.</p>

Avoiding Potential Injuries



Figure 1. Correct operator and workpiece position, guard is in place, and push blocks are being used.



Figure 2. Never surface plane without push blocks!



Figure 3. Never stand directly behind the workpiece!



Figure 4. Never plane/edge-joint with the guard removed!



Figure 5. Never joint end grain!

110V Operation

The Shop Fox® W1679 is prewired for 110 volts. The motor supplied with your new machine is rated at 1 HP and will draw approximately 14 amps. When choosing an outlet for this machine, consider using one with a 15 amp circuit breaker or fuse. When choosing plug and outlet, use a NEMA-style 5-15 as shown in **Figure 6**. Keep in mind that a circuit being used by other machines or tools at the same time will add to the electrical load being applied by the machine. Add up the load ratings of all machines on the circuit. If this number exceeds the rating of the circuit breaker or fuse, use a different circuit.

Extension Cords

When it is necessary to use an extension cord, use the following guidelines:

- Use cords rated for Hard Service
- Never exceed a length of 100 feet
- Use cords with 14 ga. wire or bigger (12 ga., 10 ga., etc.)
- Make sure cord has a ground wire and pin
- Do not use damaged cords

Grounding

This machine must be grounded! The electrical cord supplied with the Model W1679 comes with a grounding pin. Do not remove it. **See Figure 7**. If your outlet does not accommodate a ground pin, have it replaced by a qualified electrician or have an appropriate adapter installed. Please note: when using an adapter, the adapter must be grounded.

An adapter with a grounding wire does not guarantee the machine will be grounded. A ground source must be verified.

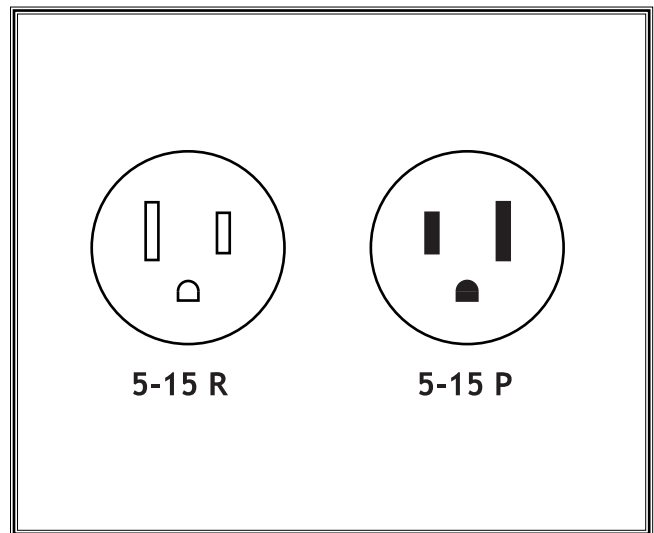
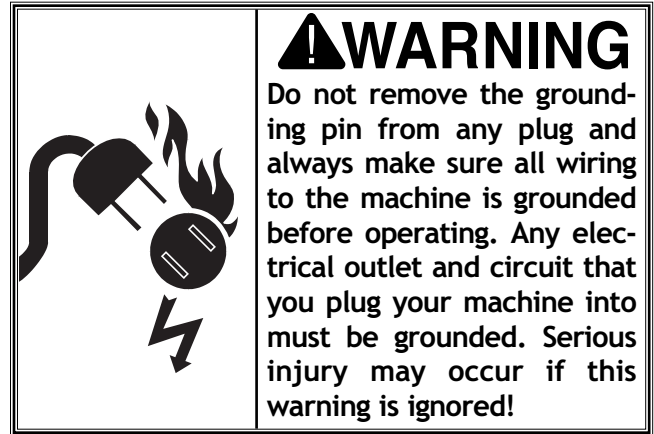


Figure 6. NEMA-style 5-15 plug and outlet.

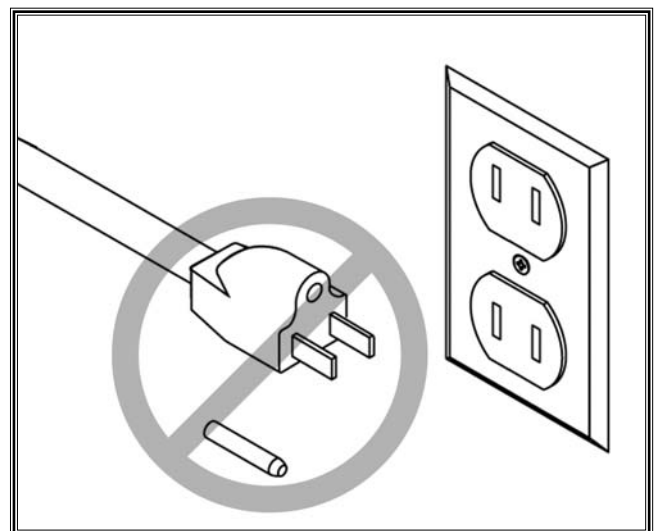



Figure 7. Never remove grounding pin.



! WARNING
 Do not remove the grounding pin from any plug and always make sure all wiring to the machine is grounded before operating. Any electrical outlet and circuit that you plug your machine into must be grounded. Serious injury may occur if this warning is ignored!

220V Operation

The Shop Fox® W1679 can also be operated at 220 volts. To do this, you must purchase the optional 220V magnetic switch that is shown in the parts diagram at the back of this manual. Also, you will need a NEMA-style 6-15 plug and outlet.

The motor supplied with your new machine is rated at 1 HP and will draw approximately 7 amps during 220 volt operation. When choosing an outlet for this machine, consider using one with a 10 amp circuit breaker or fuse. When choosing plug and outlet, use a NEMA-style 6-15 as shown in **Figure 8**. Keep in mind that a circuit being used by other machines or tools at the same time will add to the total load being applied to the circuit. Add up the load ratings of all machines on the circuit. If this number exceeds the rating of the circuit breaker or fuse, use a different circuit.

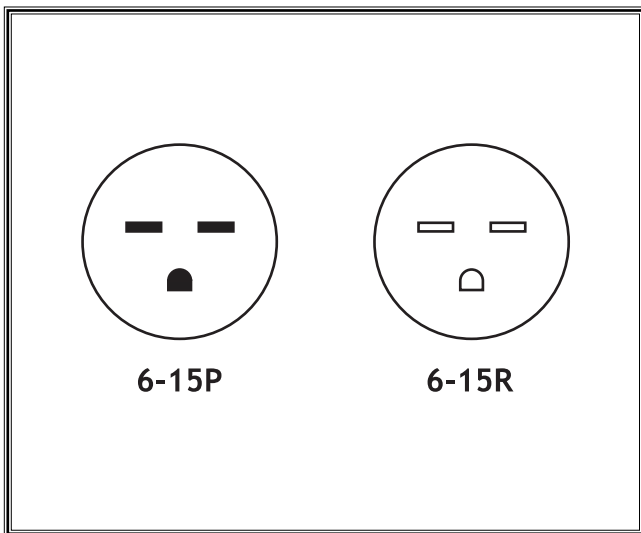


Figure 8. NEMA-style 6-15 plug and outlet.

! CAUTION
 Never replace the circuit breaker with one rated at a higher amperage or damage to the circuit may occur, and a fire may result!

Extension Cords

We do not recommend using an extension cord for 220V equipment. Instead, arrange the placement of your machinery and installed wiring to eliminate the need for extension cords. If you must use an extension cord, make sure it is rated Hard Service (grade S) or better. The extension cord must always contain a ground wire and plug pin. Always repair or replace extension cords when they become worn or damaged.

Grounding

This machine must be grounded! See **Figure 8**. The electrical cord supplied with the Model W1679 is not equipped with a 220 volt plug. Use a plug with a ground pin. If your outlet does not accommodate a ground pin, have the outlet replaced by a qualified electrician or have an appropriate adapter installed and grounded properly. An adapter with a grounding wire does not guarantee the machine will be grounded. A ground source must be verified.

ASSEMBLY INSTRUCTIONS

Unpacking

The Model W1679 has been carefully packaged for safe transporting. If you notice the machine has been damaged or is missing any parts, please contact Woodstock International Service and Support at 1-360-734-3482 or send e-mail to: tech-support@woodstockint.com.

Box Contents

The following is a description of the components shipped with the Shop Fox® W1679. It is recommended that the components be laid out in a similar fashion to those in **Figure 9**. This will help in identification before beginning assembly. Should any part be missing, examine the packaging carefully. If any key parts are missing, find the part number in the back of this manual and call Woodstock International, Inc. at 360-734-3482 or e-mail at: tech-support@woodstockint.com.

Item	Qty.
1. Cabinet Stand	1
2. Table Assembly	1
3. Fence Assembly	1
4. Push Blocks	2
5. Cutterhead Guard	1
6. Fence Support Key	1
7. Dust Port	1
8. Fence Tilt Knob $\frac{3}{8}$ "-16 x $2\frac{3}{4}$ "	1
9. Lock Knob $\frac{1}{2}$ "-12 X $3\frac{3}{4}$ "	1
Special Nut $\frac{1}{2}$ "-12	1
Flat Washer $\frac{1}{2}$ "	1
10. V-Belt A-36	1
11. Belt Cover	1
12. Hardware Bags:	
Hex Bolts $\frac{3}{8}$ "-16 x $\frac{3}{4}$ "	3
Lock Washers $\frac{3}{8}$ "	3
Hex Nuts $\frac{5}{16}$ "-18	4
Hex Washers $\frac{5}{16}$ "	8
Phillips Head Screws $\frac{5}{16}$ "-18 x $\frac{1}{2}$ "	4
Knife Setting Gauge Kit	1

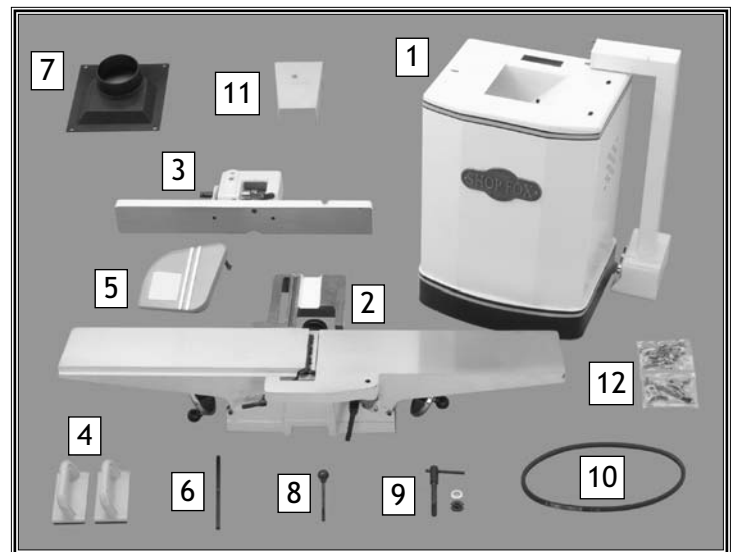
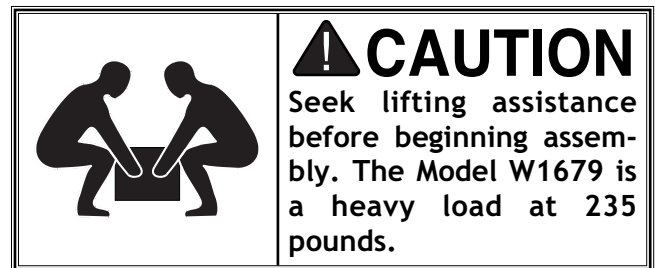
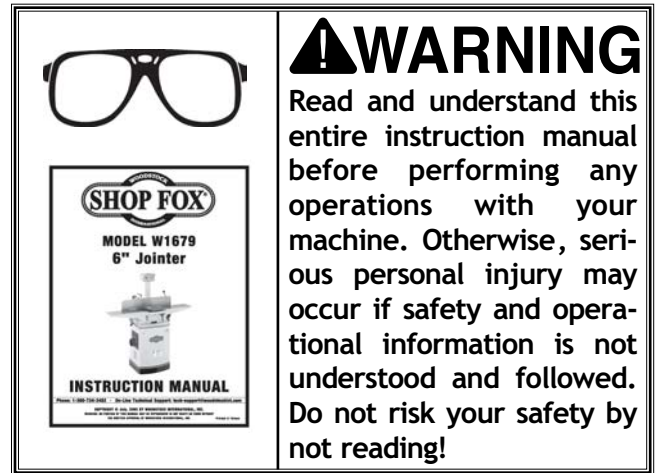


Figure 9. Jointer components removed from the boxes and laid out for identification.

Shop Preparation

- **Floor Load:** Your Model W1679 represents a large weight load in a small footprint. While most commercial floors are suitable for this jointer, some residential floors may require additional bracing to support both machine and operator.
- **Working Clearances:** Consider existing and anticipated needs, size of material to be processed through each machine, and space for auxiliary stands, work tables or other machinery when establishing a location for your machine.
- **Lighting and Outlets:** Lighting should be bright enough to eliminate shadow and prevent eye strain. Electrical circuits should be dedicated or large enough to handle amperage requirements. Outlets should be located near each machine so power or extension cords are clear of high-traffic areas. Observe local electrical codes for proper installation of new lighting, outlets, or circuits.

	<p>⚠ CAUTION</p> <p>Always make sure that all entrances to your shop are locked or that machines are equipped with safety lock-out devices to protect curious children or visitors from serious injury. Never allow unsupervised people in your shop who have not been fully trained!</p>
--	--

Cleaning Machine

The table and other unpainted parts of the Model W1679 are coated with a waxy grease that protects them from corrosion during shipment. **For optimum performance from your machine, make sure you clean all moving parts or sliding contact surfaces that are coated.** Clean this grease off with a solvent cleaner or citrus-based degreaser. Do not use chlorine-based solvents— if you happen to splash some onto a painted surface, you will ruin the finish.

	<p>⚠ WARNING</p> <p>Never use flammables such as gas or other petroleum-based solvents to clean your machine. These products have low flash points and present the risk of explosion and severe personal injury!</p>
--	---

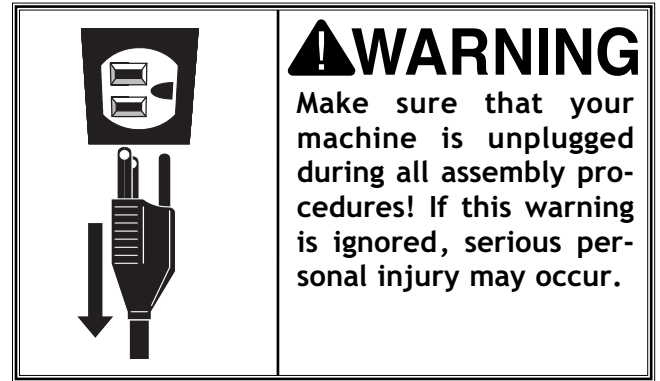
	<p>⚠ WARNING</p> <p>Never smoke while using any cleaning solvents. Smoking may cause explosion or risk of fire when exposed to these products!</p>
--	---

	<p>⚠ CAUTION</p> <p>Most solvents used to clean machinery are toxic when inhaled or ingested. Always work in a well ventilated area when using these products and keep away from any potential ignition sources (pilot lights). Always dispose of any waste rags in a sealed container to make sure they do not cause fire or environmental hazards.</p>
--	---

ASSEMBLY

Beginning

Although the main components of the Shop Fox® W1679 are assembled at the factory, some assembly is required. The following series of instructions are the recommended sequence best suited for final assembly.



Mounting Jointer

1. Determine the best place for the jointer in your shop and place the cabinet stand in that location.
2. With the help of a friend, lift the jointer assembly onto the stand so the cutterhead pulley is positioned directly over the slot in the top of the stand.
3. Align the mounting holes (shown in Figure 10) on the stand to the jointer assembly, and secure the jointer assembly with the (3) $\frac{3}{8}$ " - 16 x $\frac{3}{4}$ " hex bolts and lock washers from the hardware bag.

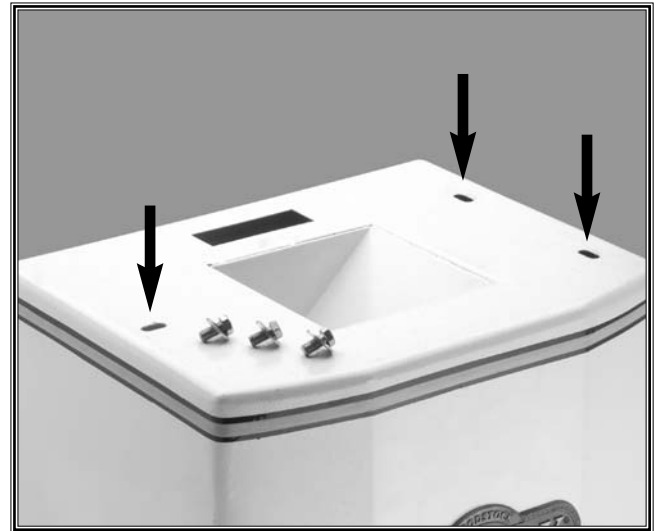


Figure 10. Secure table to stand at these locations.

Installing V-Belt

1. Figure 11 shows the jointer motor mount bolts inside of the dust chute. Loosen the nuts so you can slide the motor up and install the V-belt.
2. With the V-belt in the grooves of both the motor pulley and the cutterhead pulley, pull the motor down tightly by hand and tighten one corner bolt.
3. Place your straightedge against the face of both pulleys, and swivel the motor as necessary until both pulleys line up with each other. Tighten the other three motor mount bolts.



Figure 11. Motor mount bolts inside dust chute (two are not shown).

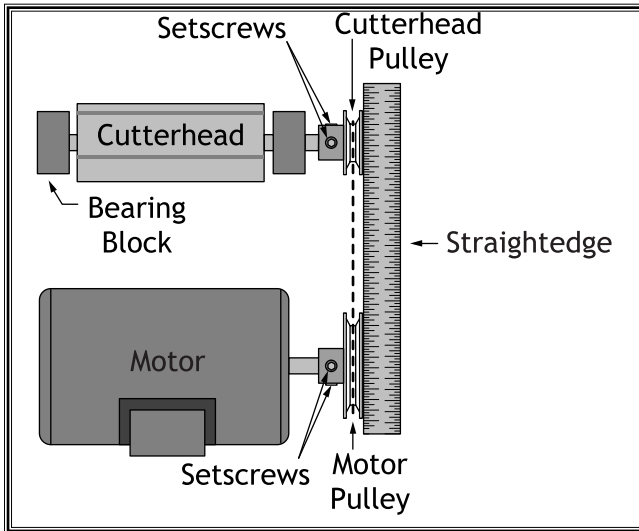


Figure 12. Pulley and V-belt alignment.

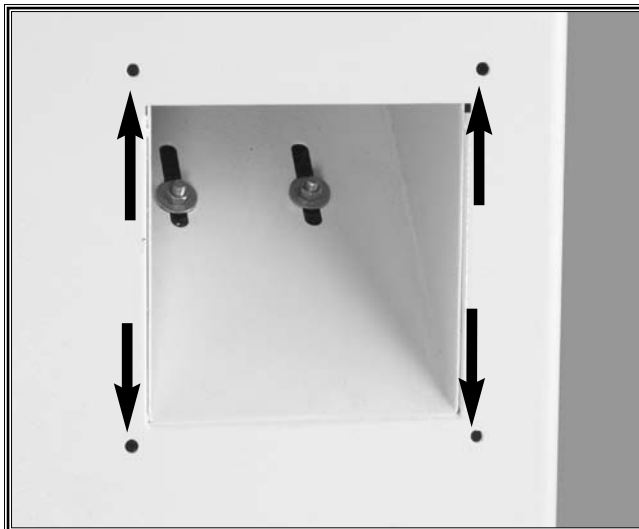


Figure 13. Dust port mounting holes.

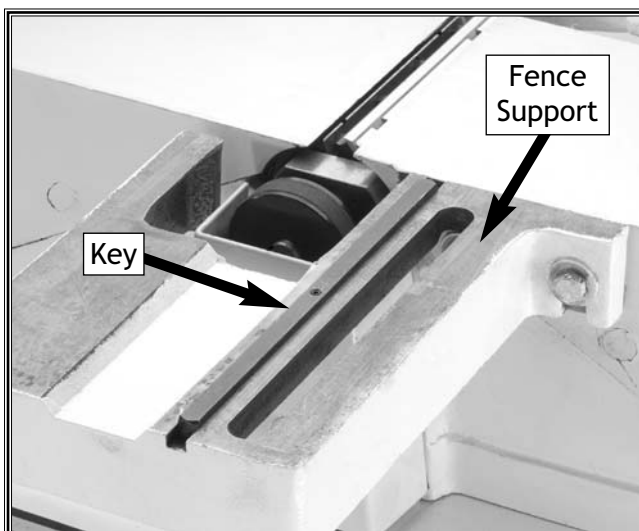


Figure 14. Installing key into fence support.

4. Halfway between the two pulleys, lightly squeeze each side of the belt together to check the tension.

Belt too loose? If each side of the belt squeezes toward each other more than $\frac{1}{2}$ " , increase the tension by repeating steps 2 and 3.

DO NOT over-tighten the belt! Do not use pry bars or any other device to force the motor down as this may over-tighten the belt, which may damage the balance of the motor shaft or bearings and increase the wear of the power transfer components.

5. Check the V-belt pulley alignment. Minor adjustments may be made by loosening the pulley setscrew and sliding the pulley along the shaft. See Figure 12 for details.

Dust Port

Using the (4) phillips head screws from the hardware bag, attach the dust port over the dust chute at the mounting holes shown in Figure 13.

Installing Fence

1. The fence support key has a roll pin fitted in the center. Install the key into the fence support keyway and fit the roll pin into the provided hole. Figure 14 shows the key installed correctly.
2. Get a friend to help you lift and place the fence on this support.

NOTICE

Do not slide the fence across the outfeed table. Scratching will result.

3. Locate the threaded hole on the back of the infeed side of the fence and install the fence tilt knob into the fence.

4. Place the 1/2" flat washer over the lock knob and install the special nut from underneath the fence support as shown in **Figure 15**.
5. Make sure the splines on the special nut protrude into the adjustment slot, then insert the knob through the fence housing and thread the knob into the special nut.

Cutterhead Guard

1. Remove the setscrew from the slot in the end of the cutterhead guard shaft.
2. Rotate the spring housing clockwise (looking at the face of the knob) 1 full turn and insert the cutterhead shaft into the pivot hole as shown in **Figure 16**.
3. Fit the shaft slot over the tang inside the spring housing. The shaft should drop through the bottom of the housing.
4. When installed, the cutterhead guard should press firmly against the fence and should be completely covering the cutterhead as shown in **Figure 17**.
5. Move the cutterhead guard back and forth to make sure that it automatically returns back to its proper position against the fence and over the cutterhead.
6. **Make sure the cutterhead guard has the correct return pressure.** If the pressure is weak or there is no return pressure at all, remove the shaft, tighten the spring housing by rotating clockwise, and re-install the shaft to check for proper operation.
7. Replace the setscrew at the end of the shaft, so that the cutterhead guard cannot be removed from the pivot hole.

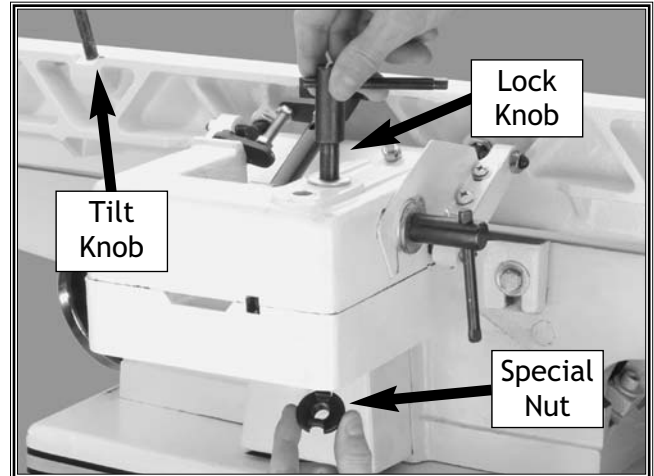


Figure 15. Installing lock knob and special nut.

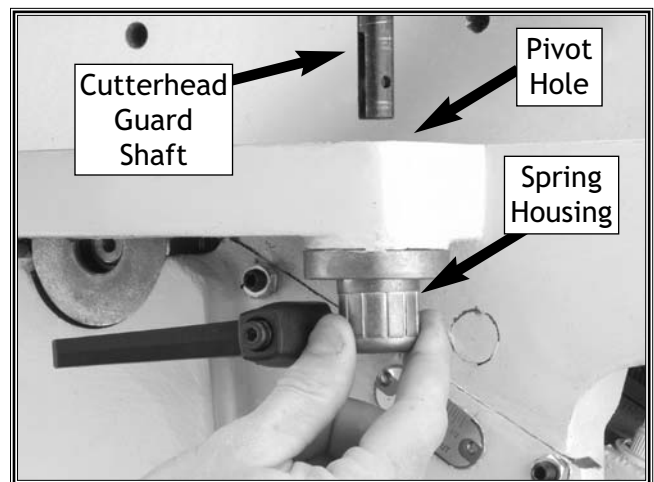


Figure 16. Rotate spring housing clockwise 1 full turn and insert cutterhead guard shaft.



Figure 17. Guard in proper position against the fence and completely over the cutterhead.



Figure 18. Attach belt guard to stand with the hex bolt.

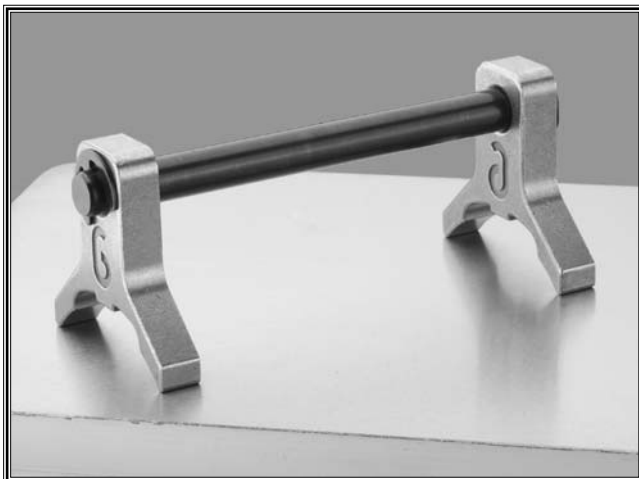


Figure 19. Knife setting gauge.



Figure 20. Mounting pedestal switch to stand.

Belt Guard

Attach the belt cover to the cabinet stand with the $\frac{5}{16}$ "-18 x 2 $\frac{1}{2}$ " hex bolt as shown in **Figure 18**.

	<p>⚠ WARNING Make sure that your machine is unplugged during all assembly procedures! If this warning is ignored, serious personal injury may occur.</p>
--	---

Knife Gauge

The knife gauge consists of a steel rod, two adjuster arms and two E-clips.

To assemble the knife gauge:

1. Insert the steel rod through each adjuster arm.
2. Snap the E-clips into the grooves at the ends of the steel rod so your assembly looks like the knife gauge shown in **Figure 19**.

See page 16-17 for usage instructions.

Control Pedestal

1. Mount the control pedestal to the back of the cabinet stand as shown in **Figure 20**.
2. Secure the control pedestal with the (4) $\frac{5}{16}$ " hex nuts and (4) $\frac{5}{16}$ " washers from the hardware bag.

ADJUSTMENTS

Checking Knives

The cutterhead knives have been set at the factory and should require no adjustments when you first receive your jointer. However, it is always a good idea to verify the accuracy of any adjustments that will affect your finished product.

As your jointer gets used, the knives will need to be routinely inspected, adjusted, and ultimately replaced.

To inspect knife position in the cutterhead:

1. **Unplug the jointer!**
2. Remove the cutterhead guard from the table, so that you have unfettered access to the top of the cutterhead.
3. Remove the pulley cover at the back of the machine and slowly turn the cutterhead with the pulley until one of the knives is exposed and is easily accessible.
4. Using the knife setting gauge as shown in **Figure 21**, check the height of the knife. Both gauge feet should sit solidly on the cutterhead and the contact point in the center of the gauge arm should barely touch the tip of the knife.

If the gauge fits on the cutterhead as described above, then the knife height is correct. Move on to the next knife and check in the same manner. If all of the other knives are at the correct height, then no adjustments are necessary.

If either gauge arm does not fit on the cutterhead as described above, or if the center contact point does not touch the knife, then the knife position needs to be adjusted. Refer to the "Adjusting Knives" instructions in this section and adjust the knives.

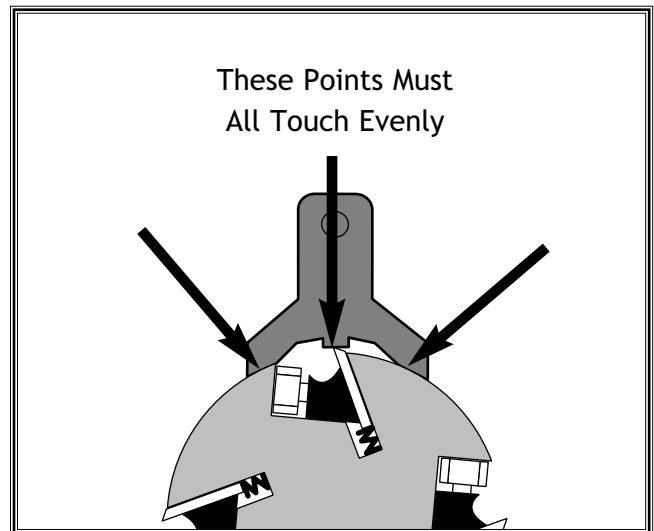
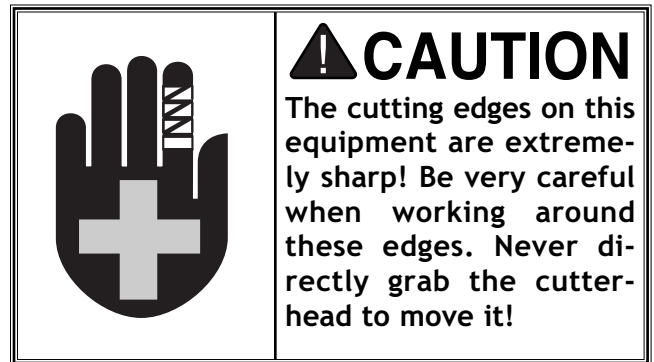
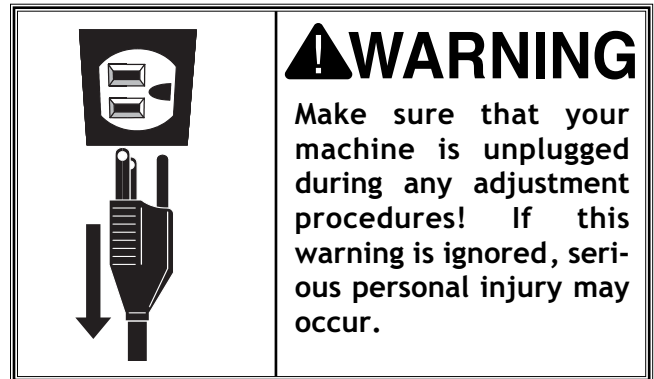


Figure 21. Place the knife setting gauge on the cutterhead as shown to inspect accuracy of knife position in cutterhead.

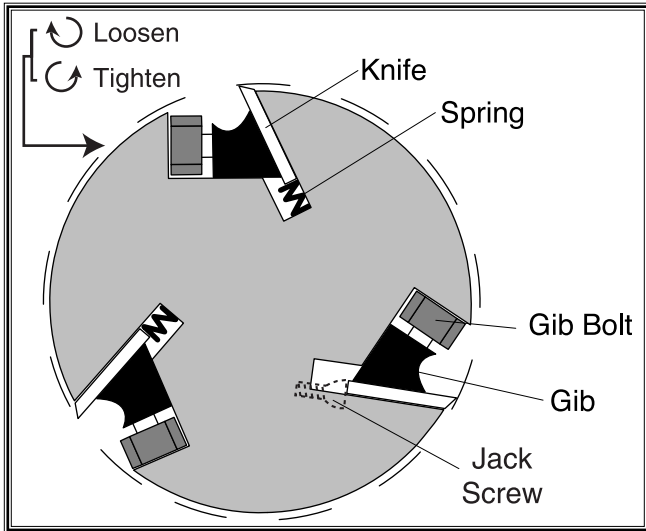


Figure 22. Understanding cutterhead assembly.

WARNING

Wear heavy leather gloves when loosening/tightening gib bolts in case the wrench slips and your hand hits the knife. Planer knives are dangerously sharp. If care is not taken, serious injury may occur.

NOTICE

Uneven tightening of the gib bolts may cause the cutterhead to become unbalanced, which will lead to premature wear and tear of the knives and produce poor results!

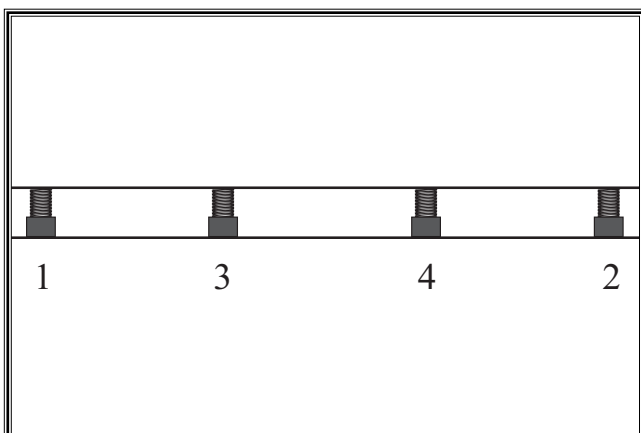


Figure 23. Gib bolt tightening sequence.

Adjusting Knives

The knives in the Model W1679 come from the factory with jack screws installed. Springs are also included as an option for knife adjustments, depending on your preference. **Figure 22** shows an illustration of the cutterhead components. The knife position should be as precise as possible in the cutterhead. All knives should be within .002" from one end to the other and within .002" from one knife to another.

To adjust the knives:

1. **Unplug the jointer!**
2. Remove the cutterhead guard from the table, so that you have clear access to the top of the cutterhead.
3. Remove the pulley cover at the back of the machine and slowly turn the cutterhead with the pulley until one of the knives is exposed and is easily accessible.
4. Loosen the cutterhead gib bolts so that the knife is loose.
5. Place the knife gauge on the cutterhead as described in the "Checking Knives" instructions and as shown in **Figure 22**.
6. **Jack Screws**—Adjust the jack screws with an Allen wrench until the knife edge barely touches the contact point on the knife setting jig. Snug the gib bolts but do not fully tighten. Repeat this step with each jig screw on each knife.

Springs—The springs will push the knife against the cutterhead to the proper height (.070" above cutterhead body). Keep downward pressure on the jig until you tighten the gib bolts. Repeat this step with the other knives, then snug the gib bolts without fully tightening them.

7. Start at the beginning knife and slightly tighten each gib bolt on each knife in the sequence shown in **Figure 23**. Repeat this step two or three times until all gib bolts are completely tight.

Table Gibs

The table gibs allow you to control how easy the table moves up or down and control the precision of the table movement along the dovetail ways. Since the table gibs are factory set, they do not need to be adjusted unless the table is too loose or too tight when moving along the dovetail ways. (Always make sure the table lock is released before determining whether the table travel is too loose or too tight.)

To adjust the table gibs:

1. Unplug the jointer!
2. Locate the setscrews and jam nuts shown in **Figure 24**. These are used to tighten/loosen the table gibs.
3. Use the trial-and-error method by adjusting the setscrews and moving the table to achieve the correct table movement. When both tables move smooth and responsive, with no indication of side-to-side movement, then the table gibs are set right.

Adjusting Tables

The tables are adjusted by rotating the hand-wheels. In order to accurately joint or plane a piece of stock, both tables must be properly adjusted, starting with the outfeed table.

To adjust the outfeed table:

1. Unplug the jointer!
2. Make sure that the knives have been properly adjusted before continuing.
3. Turn the lock handle counterclockwise to loosen the lock, so that the outfeed table can move freely. **Figure 25** shows the outfeed table lock handle.
4. Remove the motor pulley cover to expose the V-belts and pulleys. Rotate the cutter-head by turning the cutterhead pulley until one of the blades is at the highest point in its arc (top dead center) as illustrated in **Figure 26**.

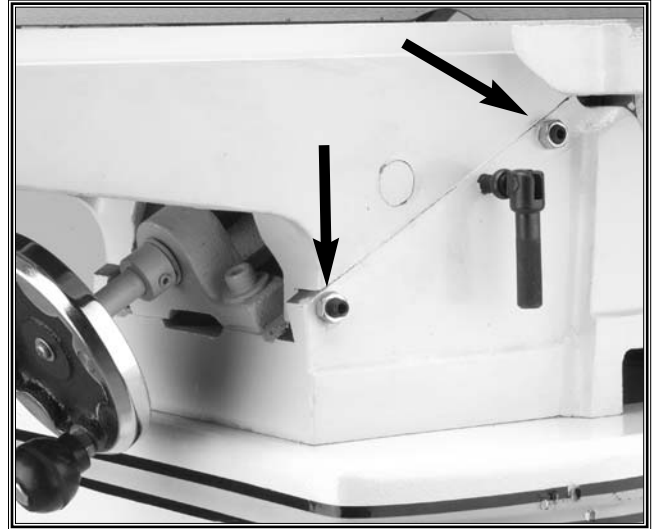


Figure 24. These are the table gib controls.



Figure 25. This is the outfeed table lock handle.

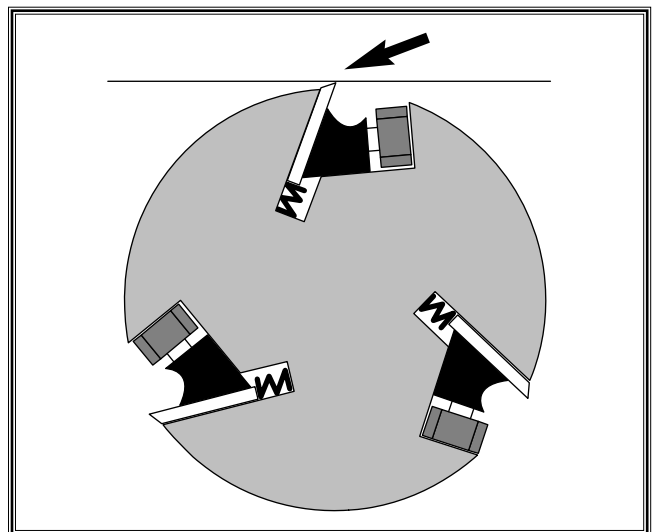


Figure 26. Top dead center.

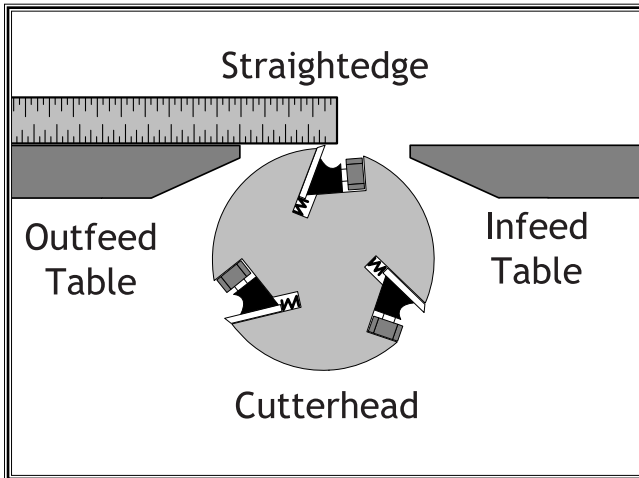


Figure 27. Straightedge centered on outfeed table and even with knife at top dead center.

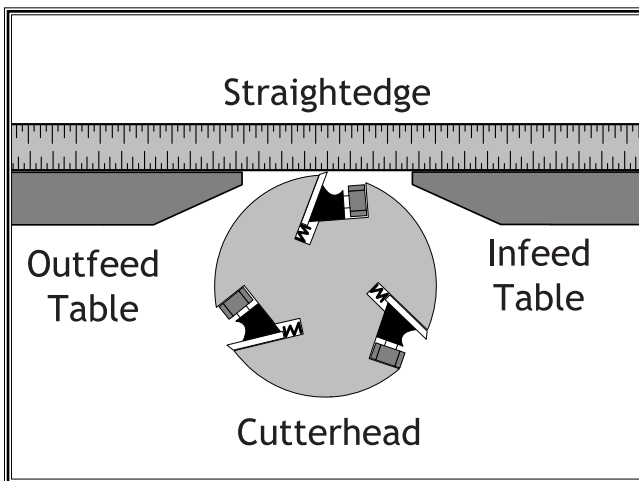


Figure 28. Infeed table even with outfeed. Scale can now be set to "0".

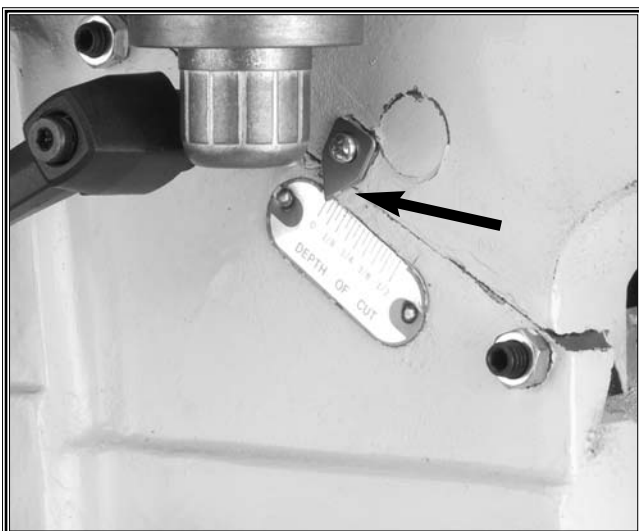


Figure 29. Pointer set to "0".

5. Place a good quality straightedge across the length of the outfeed table and just over the cutterhead as shown in **Figure 27**. (This adjustment works best if the straightedge is placed in the center of the outfeed table.)
6. Using the handwheel under the outfeed table, raise or lower the outfeed table until the straightedge barely touches the edge of the knife.
7. Move the cutterhead back and forth to verify that it is still positioned at top dead center.
8. Tighten the table lock handle and double check your adjustment for accuracy.

After adjusting the outfeed table and ensuring its accuracy, it can be left alone until the next time you adjust the knives or if you notice that it might have moved. The infeed table, on the other hand, will regularly be adjusted to set the cutting depth.

To adjust the infeed table:

1. Loosen the infeed table lock handle.
2. Place a good quality straightedge in the center and along the length of the outfeed table.
3. Slide the straightedge over the infeed table.
4. Raise the infeed table so it barely touches the bottom of the straightedge as shown in **Figure 28**.
5. Secure the infeed table with the lock handle and set the pointer on the depth scale to "0" as shown in **Figure 29**. *You can now use the scale to adjust your depth of cut when it is time to operate the jointer.*

Fence Stops

Stop bolts on the back of the fence (shown in **Figure 30**) allow you to quickly and accurately move the fence to 90°, 45° R (to the right) and 45° L (to the left). The position of these stops must be checked and possibly adjusted before they are used for the first time.

The fence stops are simple hex bolts (a nut for 45° L) that thread in or out to match the depth required. Each fence stop has a jam nut to lock the stops in place for repeatable accuracy.

To check/adjust the fence stops:

1. **Unplug the jointer!**
2. **90° Stop** – Loosen the fence-tilt lock knob. Move the fence into an upright position so the 90° stop is resting against the metal tab. Place a try square on the table and against the fence as shown in **Figure 31**. If the square does not line up with the table and fence evenly, adjust the 90° stop bolt until it does. Tighten the jam nut down to prevent it from moving and retighten the fence-tilt lock knob.
3. **45° R Stop** – Make sure the fence-tilt lock knob is loose, then slide the 90° stop tab out of the way and tilt the fence back into position shown in **Figure 32**. The fence should rest on the stop. Check the angle with a 45° angle gauge to verify for accuracy. Adjust the stop if needed and tighten the jam nut. Retighten the fence-tilt lock knob before operation.
4. **45° L Stop** – Loosen the fence-tilt lock knob. Move the fence 45° to the left so it tilts toward the table and stops on the 45° L stop nut. Adjust the stop nut if necessary and tighten the jam nut (the second nut behind the first) to the stop nut to keep it from moving. Retighten the fence-tilt lock knob before operation.

Always double check the stop bolt position after tightening the jam nuts!

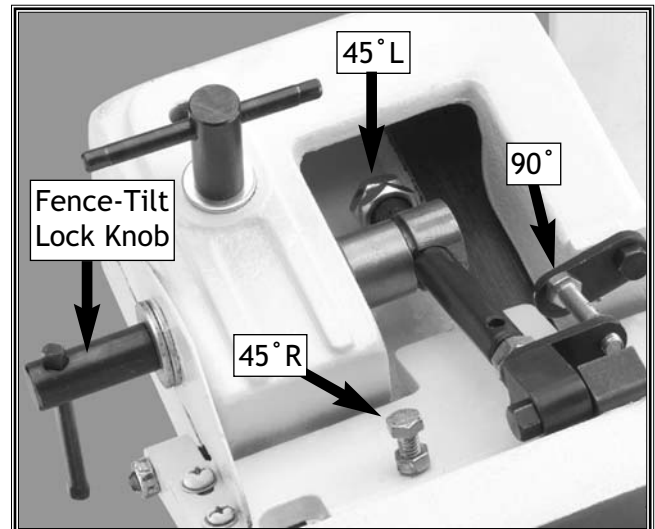


Figure 30. Fence stops and fence-tilt lock knob.

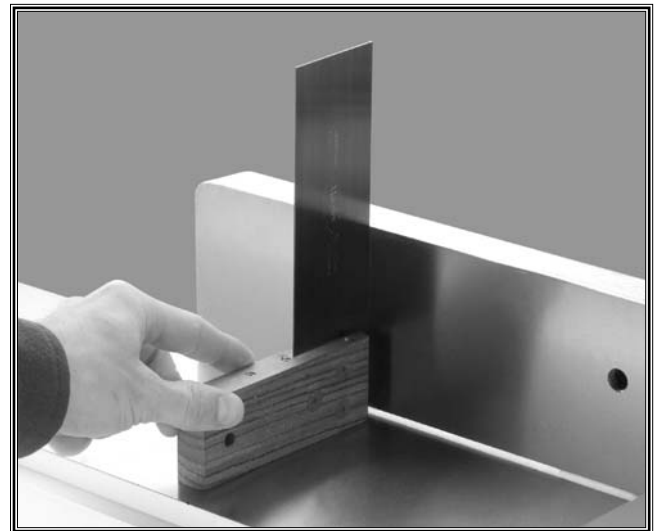


Figure 31. Squaring fence with a try square.



Figure 32. This is the fence in the 45° R position.


OPERATIONS



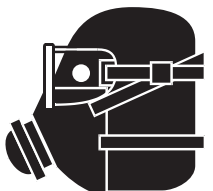
⚠️ WARNING
Always wear safety glasses during operations. Serious injury may occur if this warning is ignored!



⚠️ WARNING
Always keep loose clothing and long hair secured and away from moving parts.



⚠️ CAUTION
DO NOT operate this machine without an adequate dust collection system. This machine creates substantial amounts of wood dust while in operation. Failure to use a dust collection system can result in short and long-term respiratory illness.



⚠️ CAUTION
Always wear a dust mask and safety glasses in addition to using a dust collector. This machine produces sawdust that may cause allergic reactions or respiratory problems.

Starting Jointer

Once assembly is complete and adjustments have been made, the jointer is ready for a test run. The purpose of a test run is to identify any unusual noises and vibrations, as well as to confirm the machine is performing as intended.

1. With your finger poised to hit the *STOP* button if there is a problem, turn on the jointer by pressing the *START* button on the power switch.
2. Once the jointer is running, listen for any unusual noises. It should run smoothly with little or no vibrations. If there are any unusual noises or vibrations, shut the jointer off immediately. It should not be run any further until the problems are corrected.
3. Unplug the jointer and investigate the source of the noise or vibration. Do not make any adjustments to the machine while it is plugged in.
4. Repeat Steps 1-4 until the jointer runs smoothly.

Basic Operations

All operations on the jointer are made by placing the workpiece firmly against the infeed table and the fence, and then passing the workpiece completely over the cutterhead.

Operational tips as well as specific types of cuts are mentioned further on in this section. If you are a beginner, it is a good idea to practice each new type of cut with the fence in the desired position, the tables set even and the machine turned off. Get a feel for board control and hand position, and practice feeding the board across the table while maintaining absolute control. When you are ready for the actual cut, keep in mind that shallow cutting depths allow you to have more control.

OPERATIONS

Operation Musts

- Never allow hands or push blocks to come within 4" of the cutterhead while it is moving.
- Carefully inspect any lumber that you plan to run through the jointer. Some defects such as moderate twisting, loose knots or severe cracks may make the stock unusable.
- Only use clean stock. See **Figure 33**. Remove all dirt, nails, staples, imbedded gravel, etc. from any lumber you plan on using. A hidden nail in a workpiece will instantly damage the sharp edges of the knives. This will cause unsatisfactory results in future operations.
- Use **ONLY** natural wood fiber. Never use wood composites such as particle board, plywood or MDF. Also, never use laminates, formica or other synthetic materials.

- Always cut **WITH** the grain. Cutting against the pattern of the growth rings will chip the wood instead of cutting it. This will make the workpiece look rough and irregular and may increase the chances of a kickback.

To determine if you are going to be cutting with the grain, look at the pattern on the side of the board. If the arc of the cutterhead knife will follow the same lines in the pattern, then you will be cutting **WITH** the grain. If the arc of the cutterhead knife will cross the lines in the stock pattern, then you will be cutting **AGAINST** the grain. Refer to **Figure 34** for clarification.

- Avoid using wood with a high moisture content. Stock with more than 20% moisture, or stock that has been exposed to rain or snow, will cut poorly and cause unnecessary wear on the knives and motor. Excess moisture may also cause rust or corrosion problems.
- Never take cuts deeper than $\frac{1}{8}$ " and plan on taking multiple cuts before you can achieve a completely flat surface.

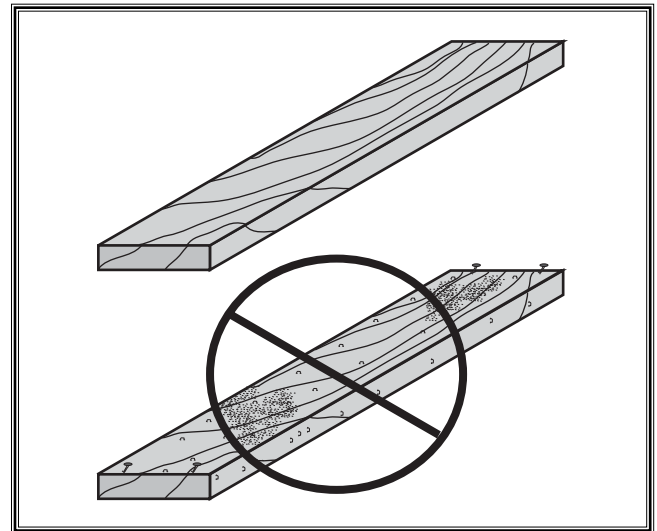


Figure 33. Only plane clean stock.

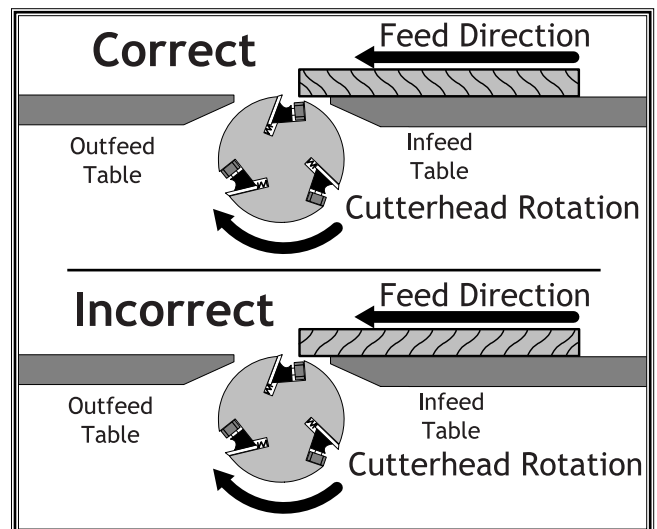


Figure 34. Correct and incorrect grain alignment to cutterhead.

- Sharpen knives immediately if they show any signs of dulling during operation. We recommend keeping a spare set of knives at all times.
- Keep your work area clear. Always make sure that long workpieces are supported and have enough room to exit the jointer.

OPERATIONS

Surface Planing

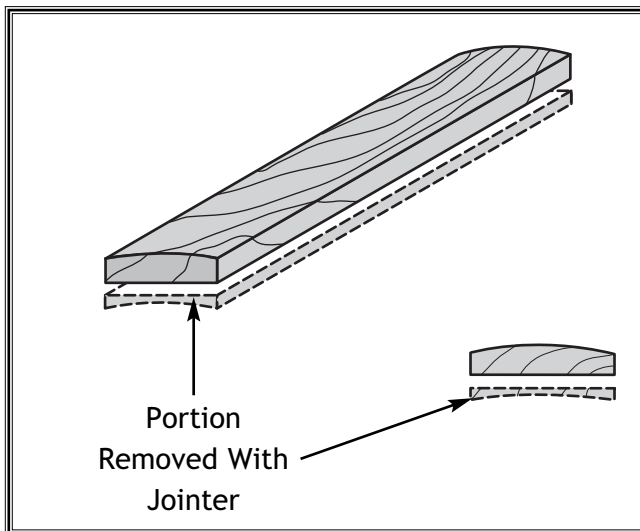


Figure 35. Surface planing produces a flat surface from concave stock.



Figure 36. This is an example of a surface planing operation.

One of the most common operations on the jointer is surface planing. Surface planing produces one flat surface on a piece of stock as shown in **Figure 35**.

After being surface planed, the stock is usually run through a thickness planer so the board thickness is consistent from one end to the other.

Figure 36 shows an example of an operator using the jointer to surface plane a piece of wood stock. Notice that the operator's body is not directly behind the stock and that the operator is using push blocks to feed the board.

To perform a surface planing operation:

1. Make sure you have read and are familiar with *Section 1: Safety* and the "Operation Musts" in this section.
2. Place the workpiece so the concave side is down on the infeed table and press the workpiece firmly against the fence.
3. Start the jointer.
4. Using push blocks with both hands and keeping firm (not hard) pressure on the fence and table, feed the workpiece into the cutterhead.
5. As your leading hand gets within 4" of the cutterhead, lift the push block up and over the cutterhead and place it on the workpiece as it passes over the outfeed table. Do the same thing when your trailing hand nears the cutterhead and try to maintain pressure on the outfeed table. Never let your hands get closer than 4" from the cutterhead!
6. Repeat **steps 4-5** until the surface is flat.

OPERATION

Edge Jointing

Edge jointing is passing the workpiece over the jointer on its edge as shown in **Figure 37**. This process makes the edges of a workpiece perfectly flat.

Stock must be edge jointed on the concave side. The convex side should then be cut straight with a table saw. This process is commonly used to prepare the workpiece to be glued-up as part of a larger assembly or to simply salvage warped stock.

Figure 38 shows an example of an operator edge jointing. Notice that the operator's body is not directly in line with the stock and that he maintains a stable hand position while keeping the board firmly on the table and against the fence.

To perform an edge jointing operation:

1. Follow *Section 1: Safety* and the "Operation Musts" in this section.
2. Place the workpiece so the concave edge is down on the infeed table and press the workpiece firmly against the fence.
3. Start the jointer.
4. Using a tight grip with your hands in a stable position and keeping the workpiece firmly against the table and fence, feed the workpiece into the cutterhead.
5. If your leading hand gets within 4" of the cutterhead, lift it up and over the cutterhead and place it on the workpiece as it passes over the outfeed table. Do the same thing when your trailing hand nears the cutterhead and try to maintain pressure on the outfeed table. Never let your hands get closer than 4" from the cutterhead!
6. Repeat **steps 4-5** until the surface is flat.

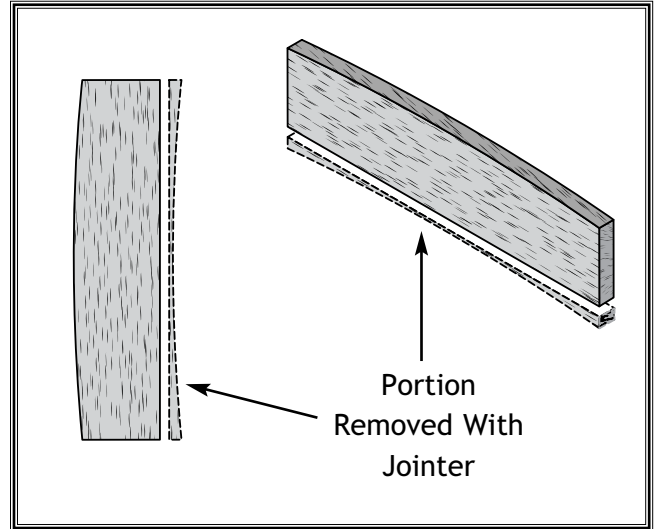


Figure 37. Edge jointing produces one flat edge.

	<p>⚠ WARNING Always wear safety glasses to prevent serious personal injury!</p>
--	--



Figure 38. This is an example of an edge jointing operation.

OPERATIONS

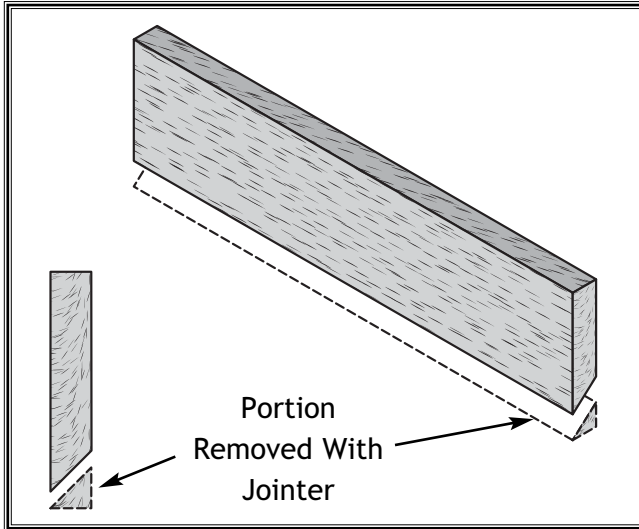


Figure 39. Bevel cutting produces an angled edge.

	<p>⚠ WARNING Always wear safety glasses to prevent serious personal injury!</p>
--	--



Figure 40. This is an example of a bevel cutting operation with the fence set at 45°.

Bevel Cutting

Bevel cutting is very similar to edge jointing, but done with the fence tilted to a specific angle in order to produce an angled edge as shown in **Figure 39**. Usually bevel cuts are made on two boards that will be joined together at a corner.

For bevel cuts, the model W1679 has preset stops at 45° L and 45° R. If a different angle is desired, use a bevel gauge to set the fence, then lock it in position.

Figure 40 shows an example of an operator bevel cutting at 45° R. Notice that the operator's body is not directly in line with the stock and that he maintains a stable hand position while keeping the board firmly on the table and against the fence.

To perform a bevel cutting operation:

1. Follow *Section 1: Safety* and the "Operation Musts" in this section.
2. Set the fence to the desired angle. Place the workpiece down on the infeed table and press it firmly against the fence.
3. Start the jointer.
4. Keep the workpiece firmly against the table and fence, and feed the workpiece into the cutterhead.
5. If your leading hand gets within 4" of the cutterhead, lift the push block up and over the cutterhead and place it on the workpiece as it passes over the outfeed table. Do the same thing when your trailing hand nears the cutterhead and try to maintain pressure on the outfeed table. Never let your hands get closer than 4" from the cutterhead and always make sure that you have control over the workpiece.
6. Repeat steps 4-5 until the surface is flat.

OPERATIONS

Rabbet Cutting

Rabbet cutting recesses a section of a workpiece edge to create a strong but simple joint. **Figure 41** illustrates a basic rabbet cut and two common joints.

Figure 42 shows an operator performing a rabbet cut. Notice that the fence is positioned close to the edge of the table. The operator's body is not directly in line with the stock and he maintains a stable hand position while keeping the board firmly on the table and against the fence.

To perform a rabbet cutting operation:

1. Follow *Section 1: Safety* and the "Operation Musts" in this section.
2. Determine the width of your desired rabbet and set the fence that distance away from the edge of the knives.
3. Place the workpiece down on the infeed table and press it firmly against the fence.
4. Start the jointer.
5. Keep the workpiece firmly against the table and fence, and feed the workpiece into the cutterhead.
6. As your leading hand gets within 4" of the cutterhead, lift it up and over the cutterhead and place it on the workpiece as it passes over the outfeed table. Do the same thing when your trailing hand nears the cutterhead. Never let your hands get closer than 4" away from the cutterhead!
7. Repeat **steps 4-5** until you have achieved your desired rabbeting depth. The maximum rabbet depth for the Model W1679 is 1/2".

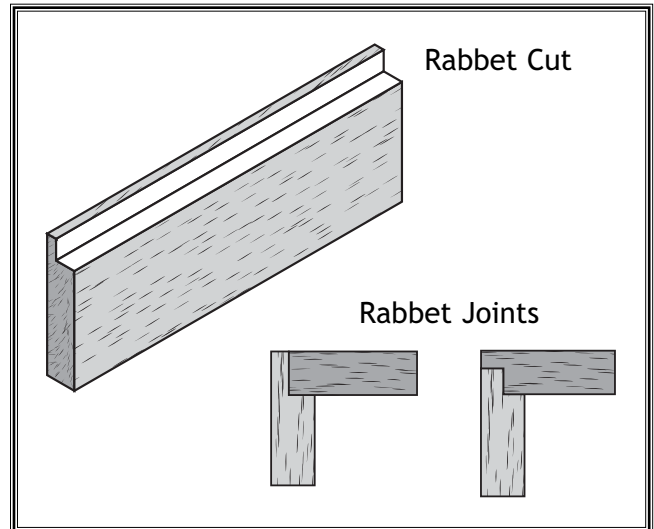


Figure 41.

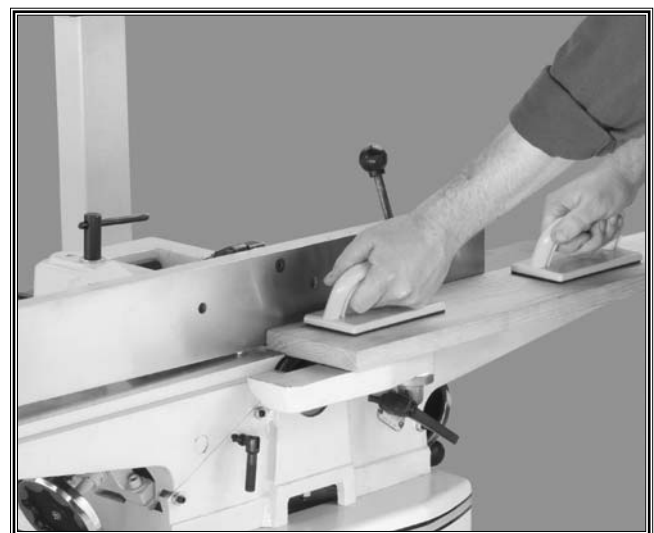


Figure 42. This is an example of a rabbet cutting operation.

MAINTENANCE

	<p>⚠ WARNING</p> <p>Make sure that your machine is unplugged during all maintenance procedures! If this warning is ignored, serious personal injury may occur.</p>
--	---

	<p>⚠ WARNING</p> <p>Always wear safety glasses to prevent serious personal injury!</p>
--	---

	<p>⚠ WARNING</p> <p>Always keep loose clothing and long hair secured and away from moving parts.</p>
--	---

General

Regular periodic maintenance on your Model W1679 will ensure its optimum performance. Make a habit of inspecting your machine each time you use it. Check for the following conditions and repair or replace when necessary.

1. Loose mounting bolts.
2. Worn switch.
3. Worn or damaged cords and plugs.
4. Damaged drive belt.
5. Any other condition that could hamper the safe operation of this machine.



Figure 43. Applying lubricant to table surface.

Table Surface

Tables can be kept rust-free with regular applications of products like SLIPIT® as shown in Figure 43. For long term storage you may want to consider products like Boeshield T-9™. Whichever product you ultimately choose for a table lubricant, make sure that it protects against rust, allows the stock to slide easily and will not stain expensive stock.

Lubrication

Since all bearings are sealed and permanently lubricated, simply leave them alone until they need to be replaced. Do not lubricate them.

For the moving mechanisms on the fence assembly, an occasional application of light machine oil is all that is necessary. Before applying lubricant, wipe the fence clean. Lubricate the pivot points and move the fence back and forth as shown in **Figure 44**. Your goal is to achieve adequate lubrication. Too much lubrication will attract dirt and sawdust.

Finally keep the sliding surfaces clean and free of any dirt or sawdust. Give these areas, especially the key and keyway, an application of white lithium grease as shown in **Figure 45**. Graphite is also a great alternative to grease for these areas because it does not attract dirt or sawdust.



Figure 44. Lubricating fence pivot points.



Figure 45. Greasing fence keyway.

Sharpening Knives

Unless you are well experienced with knife sharpening, have your knives sharpened by a professional or simply replace them.

Replacing V-Belt

If the V-belt becomes worn, cracked or glazed, replace it.

To replace the V-belt:

1. Unplug the jointer!
2. Remove the dust cover and loosen the four motor mount bolts (two are shown in **Figure 46**) in the dust chute.
3. Remove the V-belt from the pulleys.
4. Follow the "Installing V-Belt" instructions on **page 12** to install the V-belt.



Figure 46. Motor mount bolts located in dust chute.

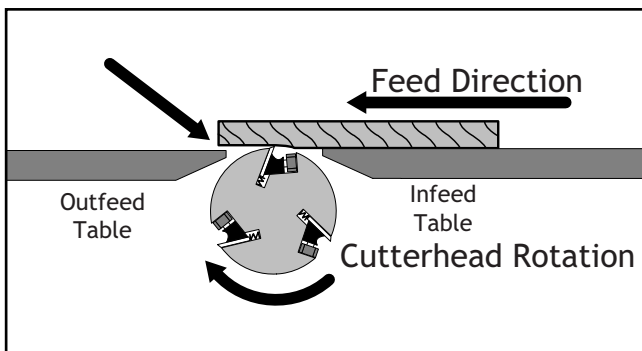
Troubleshooting

SYMPTOM	POSSIBLE REASON	HOW TO REMEDY
Motor will not start and fuses or breakers blow.	<ol style="list-style-type: none"> 1. Short circuit in line cord or plug. 2. Short circuit in motor or loose connections. 3. Incorrect fuses or circuit breakers in power line. 	<ol style="list-style-type: none"> 1. Inspect cord or plug for damaged insulation and shorted wires. 2. Inspect all connections on motor for loose or shorted terminals or worn insulation. 3. Replace with correct fuses or circuit breakers.
Motor will not start.	<ol style="list-style-type: none"> 1. Voltage too low. 2. Open circuit in motor or loose connections. 	<ol style="list-style-type: none"> 1. Call an electrician to correct power line voltage. 2. Inspect all lead connections on motor for loose or open connections.
Motor overheats.	<ol style="list-style-type: none"> 1. Motor overloaded. 2. Restricted air circulation through motor. 	<ol style="list-style-type: none"> 1. Reduce load on motor. 2. Clean out motor to provide proper circulation.
Motor stalls, resulting in blown fuses or tripped breaker.	<ol style="list-style-type: none"> 1. Short circuit in motor or loose connections. 2. Voltage too low. 3. Incorrect fuses or circuit breakers in power line. 4. Motor overloaded. 	<ol style="list-style-type: none"> 1. Inspect connections on motor for loose or shorted terminals or worn insulation. 2. Call an electrician to correct power line voltage. 3. Replace with correct fuses or circuit breakers. 4. Reduce load placed on motor.
Loud, repetitious noise coming from jointer.	<ol style="list-style-type: none"> 1. Pulley setscrews or keys are missing or loose. 2. Motor fan is hitting the cover. 3. V-belt is defective. 	<ol style="list-style-type: none"> 1. Replace or tighten setscrews or keys if necessary. 2. Tighten fan or shim motor cover. 3. Replace V-belt. See page 28.
Jointer slows when operating.	<ol style="list-style-type: none"> 1. Too fast of a feed rate. 2. Too deep of cut. 	<ol style="list-style-type: none"> 1. Feed workpiece at a slower rate. 2. Decrease depth of cut.
Jointer cuts loud, overheats or bogs down in cut.	<ol style="list-style-type: none"> 1. Too deep of cut. 2. Knives are dull. 	<ol style="list-style-type: none"> 1. Decrease depth of cut. 2. Replace or sharpen knives.
Gouge in the end of board that is uneven with rest of cut (snipe).	<ol style="list-style-type: none"> 1. Outfeed table set too low. 	<ol style="list-style-type: none"> 1. Set outfeed table even with cutterhead knife at top dead center. See page 18-19.
Workpiece stops or bumps out-feed table in middle of cut.	<ol style="list-style-type: none"> 1. Outfeed table set too high. 	<ol style="list-style-type: none"> 1. Set outfeed table even with cutterhead knife at top dead center. See page 18-19.

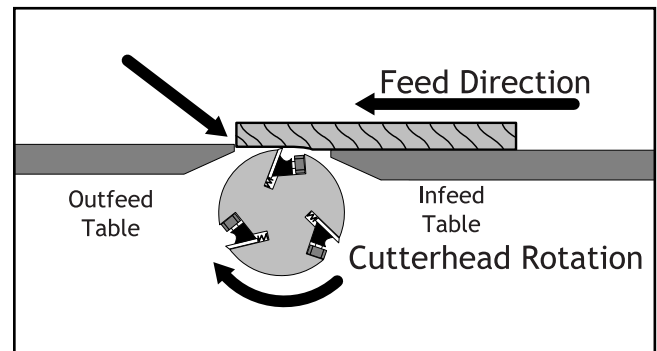
Troubleshooting

SYMPTOM	POSSIBLE REASON	HOW TO REMEDY
Chipping occurs on workpiece.	<ol style="list-style-type: none"> 1. Grain direction incorrect or knots in workpiece. 2. Dull knives. 3. Too fast of a feed rate. 4. Too deep of cut. 	<ol style="list-style-type: none"> 1. Feed workpiece with the grain. Inspect stock for knots or try again with different stock. 2. Replace or sharpen knives. 3. Feed the workpiece at a slower rate. 4. Decrease depth of cut.
Grain is fuzzy after jointing.	<ol style="list-style-type: none"> 1. Wood may have high moisture content. Check with moisture meter. 2. Dull knives. 3. Wood is figured or is a species that has naturally fuzzy characteristics. 	<ol style="list-style-type: none"> 1. Allow wood to dry. 2. Replace or sharpen knives. 3. Use different wood or plan on extra sanding.
Lines or ridges in board.	<ol style="list-style-type: none"> 1. Nicked or chipped knives. 	<ol style="list-style-type: none"> 1. Inspect and replace or sharpen knives.
Uneven knife marks on board.	<ol style="list-style-type: none"> 1. One or more knives out of adjustment. 	<ol style="list-style-type: none"> 1. Reset/adjust knives in cutterhead. See page 17.
Wavy surface or chatter marks on board.	<ol style="list-style-type: none"> 1. Too fast of a feed rate. 2. One or more knives out of adjustment. 	<ol style="list-style-type: none"> 1. Feed the workpiece at a slower rate. 2. Reset/adjust knives in cutterhead. See page 17.
Edge is concave or convex after edge jointing.	<ol style="list-style-type: none"> 1. Workpiece not held with even pressure on infeed and outfeed table. 2. Workpiece began too uneven. 3. Workpiece has excessive bow or twist along its length. 4. Insufficient number of passes. 5. Outfeed table not properly aligned with cutterhead. 	<ol style="list-style-type: none"> 1. Hold workpiece with even pressure as it moves through the cutterhead. See "Edge Jointing" on page 24. 2. Take partial cuts to remove extreme high spots before doing a full pass. 3. Surface plane one face so there is a good surface to position against the fence. 4. Three to five passes may be needed to achieve a perfect edge, depending on starting condition and depth of cut. 5. Set outfeed table even with cutterhead knife at top dead center. See page 18-19.
Workpiece tapered after jointing.	<ol style="list-style-type: none"> 1. Outfeed table set too low. 	<ol style="list-style-type: none"> 1. Set outfeed table even with cutterhead knife at top dead center. See page 18-19.

MAINTENANCE



Outfeed table set too low.

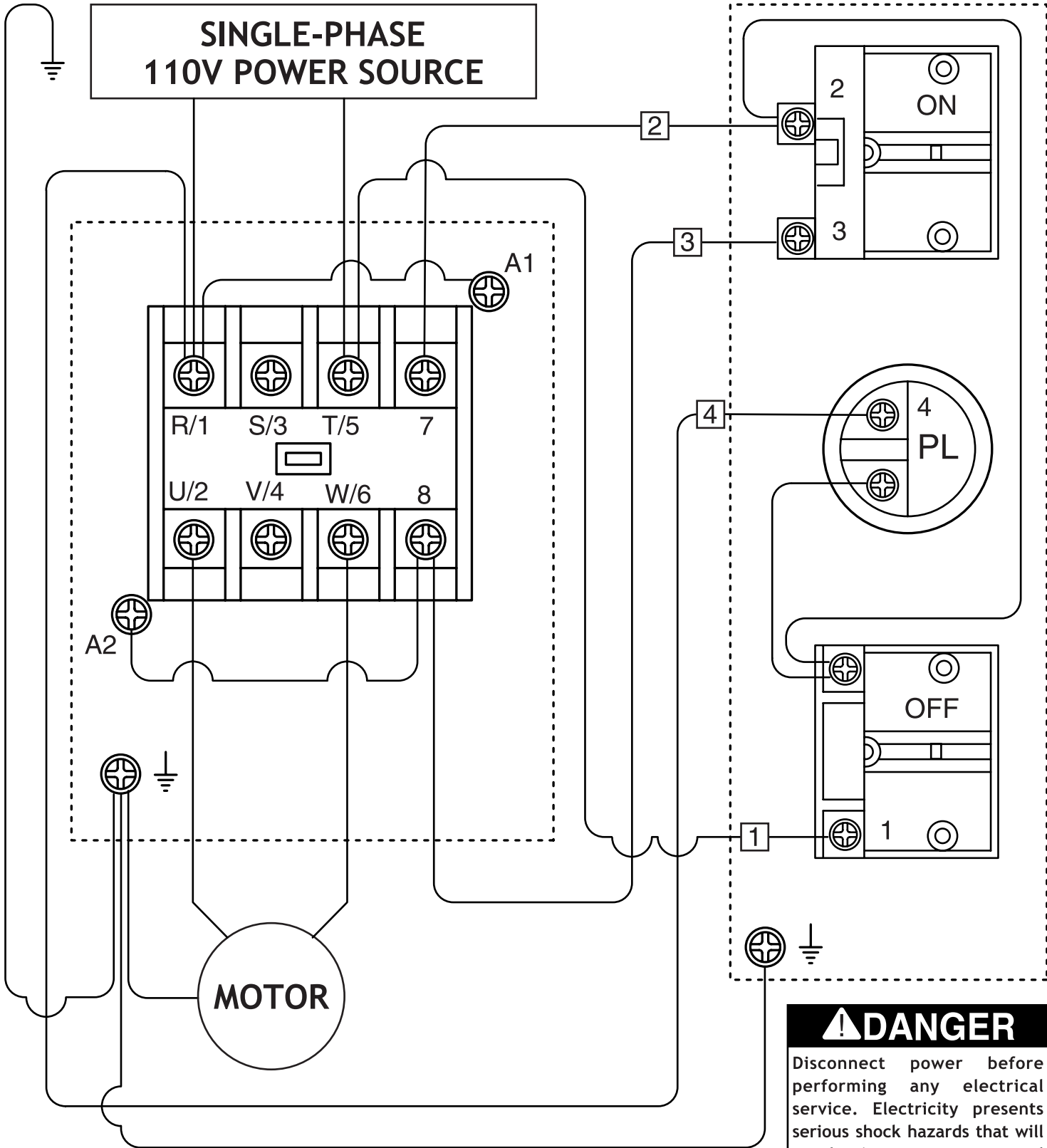


Outfeed table set too high.



W1679 WIRING DIAGRAM

NOTICE!
For 220V operation, the magnetic contactor must be replaced with one designated for 220V operation.



⚠ DANGER
Disconnect power before performing any electrical service. Electricity presents serious shock hazards that will result in severe personal injury or death!

MAINTENANCE

CLOSURE

The following pages contain parts diagrams/lists and a warranty card for your Shop Fox® Model W1679.

If you need parts or help in assembling your machine, or if you need operational information, we encourage you to call our Service Department. Our trained service technicians will be glad to help you.

If you have comments dealing specifically with this manual, please write to us using the address in the General Information. The specifications, drawings, and photographs illustrated in this manual represent the Model W1679 as supplied when the manual was prepared. However, due to Woodstock International, Inc.'s policy of continuous improvement, changes may be made at any time with no obligation on the part of Woodstock International, Inc.

We have included some important safety measures that are essential to this machine's operation. While most safety measures are generally universal, we remind you that each workshop is different and safety rules should be considered as they apply to your specific situation.

We recommend you keep this manual for complete information regarding Woodstock International, Inc.'s warranty and return policy. Should a problem arise, we recommend that you keep your proof of purchase with your manual. If you need additional technical information relating to this machine, or if you need general assistance or replacement parts, please contact the Service Department at 1-360-734-3482 or e-mail: tech-support@woodstockint.com.

Additional information sources are necessary to realize the full potential of this machine. Trade journals, woodworking magazines, and your local library are good places to start.

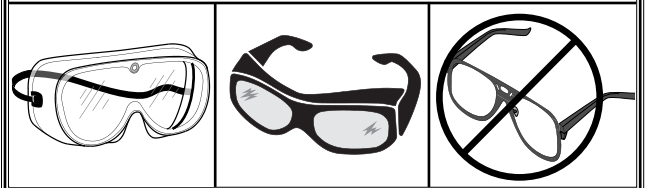
The Model W1679 is specifically designed for wood cutting operations. **DO NOT MODIFY AND/OR USE THIS MACHINE FOR ANY OTHER PURPOSE. MODIFICATIONS OR IMPROPER USE OF THIS TOOL WILL VOID THE WARRANTY.** If you are confused about any aspect of this machine, **DO NOT** use it until all your questions have been answered.

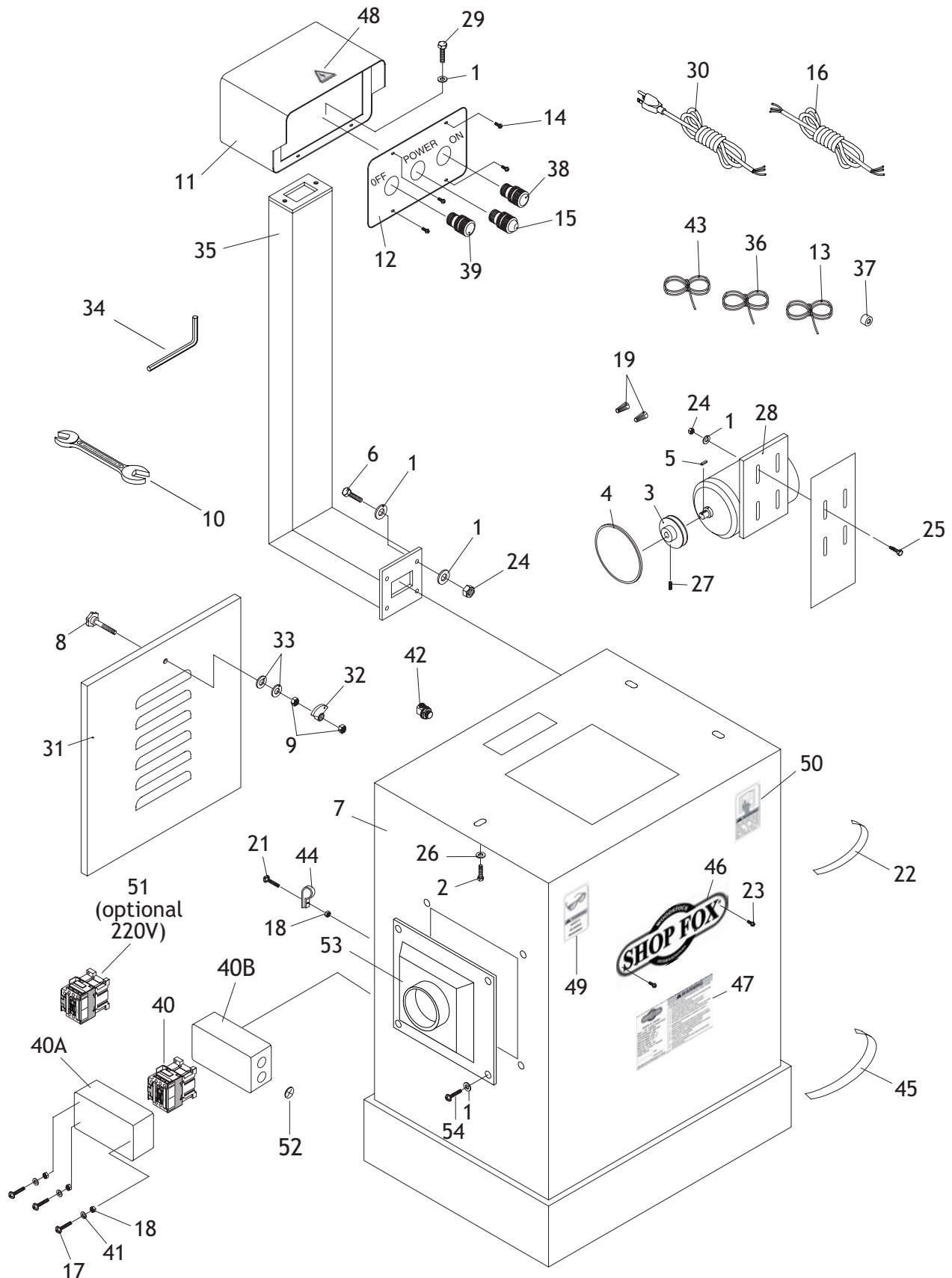
WARNING

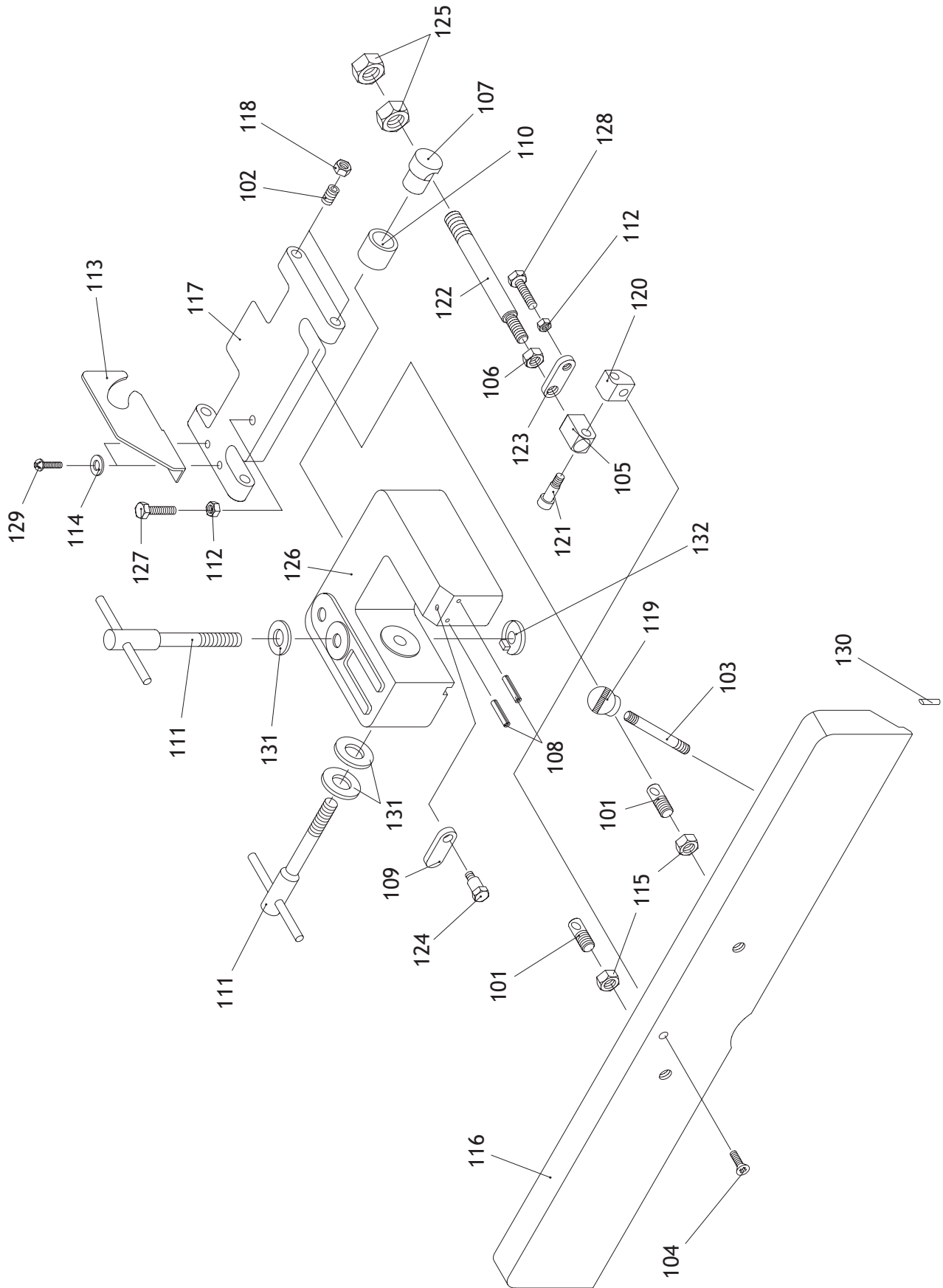
Use the tool with respect and caution to lessen the possibility of mechanical damage or operator injury. As with all power tools, there is danger associated with the Model W1679. If normal safety precautions are overlooked or ignored, injury to the operator or others in the area is likely.

WARNING

Always wear safety glasses or goggles when operating equipment. Operating this equipment creates the potential for flying debris to cause eye injury. Everyday glasses or reading glasses only have impact resistant lenses, they are not safety glasses. Be certain the safety glasses you wear meet the appropriate standards of the American National Standards Institute (ANSI).

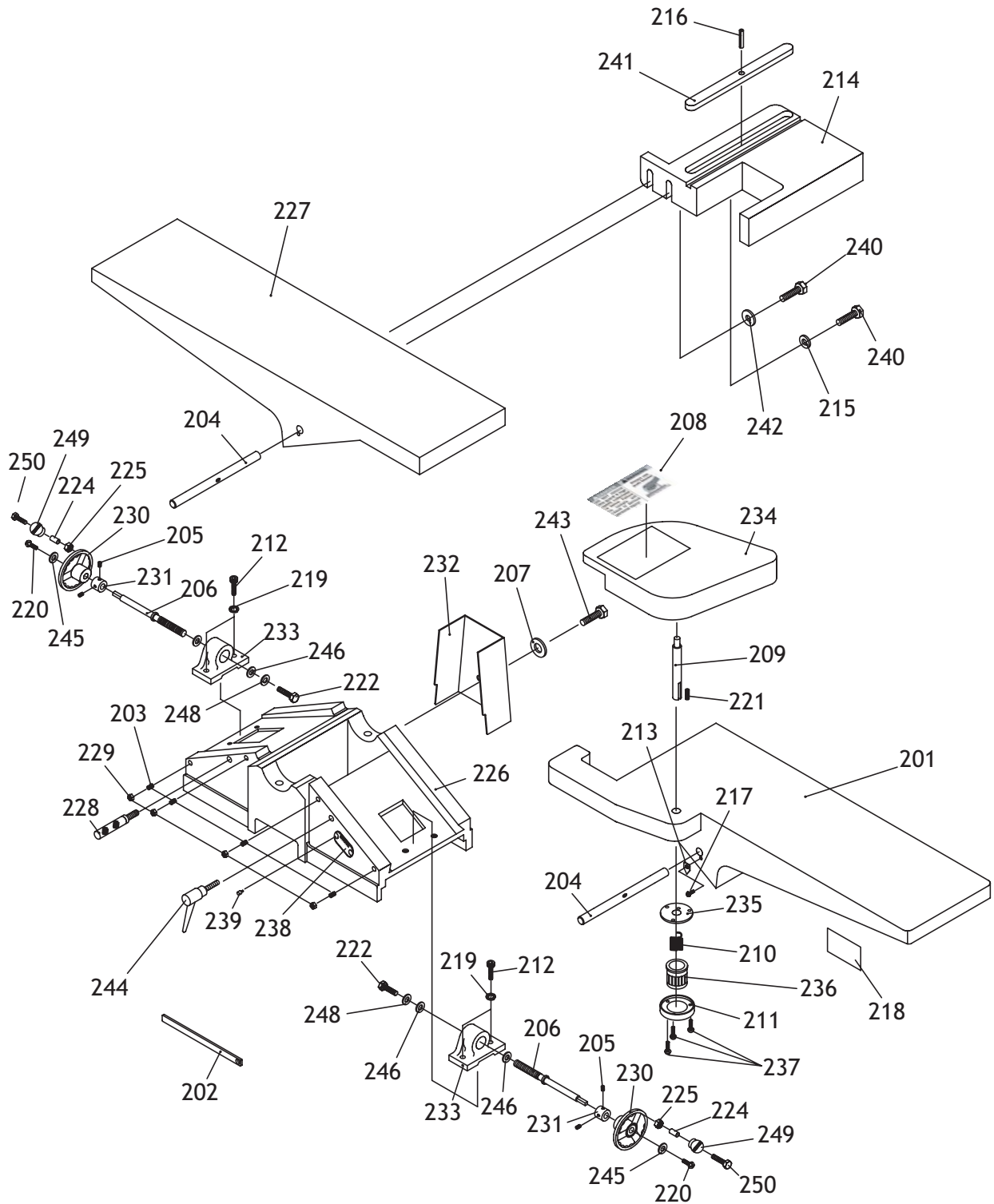


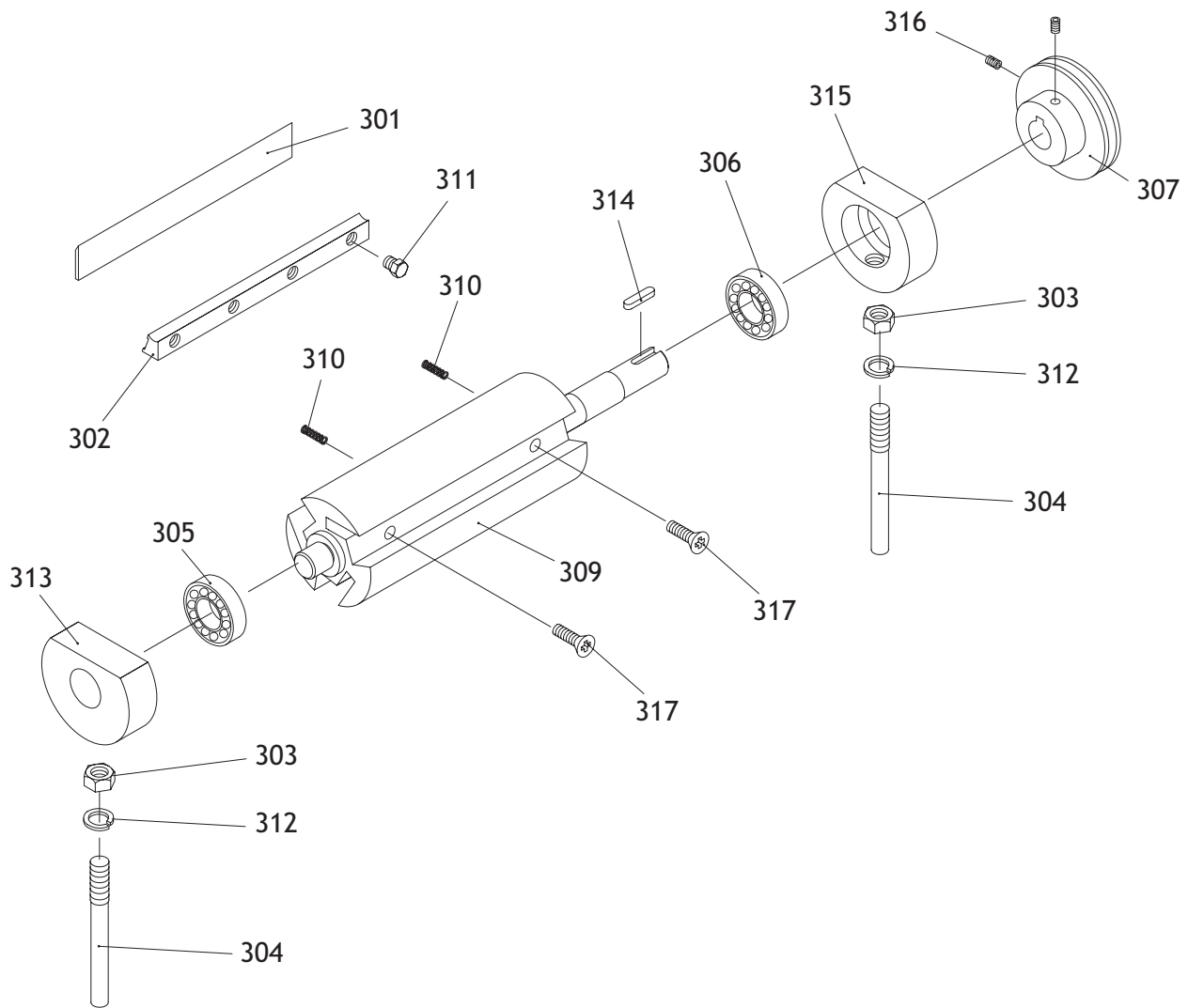




REF	PART #	DESCRIPTION
1	XPW07	FLAT WASHER 5/16"
2	XPB21	HEX BOLT 3/8"-16 x 3/4"
3	X1679003	MOTOR PULLEY
4	XPVA36	V-BELT A-36
5	XPK12M	KEY 5 x 5 x 30L
6	XPB03	HEX BOLT 5/16"-18 x 1"
7	X1679007	CABINET STAND
8	X1679008	KNOB 3/8"-16 x 1 1/2"
9	XPNO8	HEX NUT 3/8"-16
10	XPWR810	WRENCH 8/10MM
11	X1679011	SWITCH BOX
12	X1679012	CONTROL PANEL
13	X1679013	FLEXIBLE WIRE(BLACK)
14	XPS01	PHLP HD SCREW 10-24 x 1/2"
15	X1679015	MOTOR ON PILOT LIGHT
16	XPWRCD110S	MOTOR CORD
17	X1679017	PHILLIPS HD FLANGE SCREW
18	XPNO7	HEX NUT 10-24
19	X1679019	WIRE CONNECTOR
20	X1679020	NYLON CABLE TIE
21	XPS08	PHLP HD SCREW 10-24 x 3/4"
22	X1679022	UPPER COLOR STRIPE
23	XPHTEK10	SELF TAPPING SCREW #4 x 3/8"
24	XPNO2	HEX NUT 5/16"-18
25	XPCB01	CARRIAGE BOLT 5/16"-18 x 5/8"
26	XPW02	FLAT WASHER 3/8"
27	XPSS03	SETSCREW 1/4"-20 x 3/8"
28	X1679028	MOTOR 1HP
29	XPB32	HEX BOLT 5/16"-18 x 5/8"
30	XPWRCD110L	POWER CORD
31	X1679031	CABINET DOOR
32	X1679032	LATCH
33	XPW02	FLAT WASHER 3/8"
34	XPAW03M	ALLEN WRENCH 3MM
35	X1679035	PEDESTAL ARM
36	X1679036	FLEXIBLE WIRE(YELLOW)
37	X1679037	CABLE MARKER
38	X1679038	EMERGENCY STOP SWITCH
39	X1679039	ON SWITCH
40	X1679040	MAGNETIC SWITCH 110V
40A	X1679040A	FRONT SWITCH COVER
40B	X1679040B	REAR SWITCH COVER
41	XPW03	FLAT WASHER #10
42	X1679042	STRAIN RELIEF 1/2"

REF	PART #	DESCRIPTION
43	X1679043	CORD
44	X1679044	CABLE CLAMP
45	X1679045	BOTTOM COLOR STRIPE
46	X1679046	LOGO SHOP FOX
47	X1679047	MACHINE ID/WARNING LABEL
48	X1679048	ELECTRICITY LABEL
49	X1679049	SAFETY GLASSES LABEL
50	X1679050	READ MANUAL LABEL
51	X1679051	MAGNETIC SWITCH 220V (OPTIONAL)
52	X1679052	WIRE GROMMET
53	W1001	DUST PORT
54	XPS38	PHLP HD SCR 5/16"-18 X 1/2"
101	X1679101	PIVOT STUD 1/2"-20 x 3/4"
102	X1679102	SPECIAL SCREW 3/8"-16 x 1 1/2"
103	X1679103	TILT LEVER
104	X1679104	SPECIAL SCREW 5/16"-18 X 1 3/4"
105	X1679105	FENCE STOP BRACKET
106	XPNO19	HEX NUT 7/16"-14
107	X1679107	FENCE TILT CLAMP
108	XPRP18M	ROLL PIN 4 x 12L
109	X1679109	STOP TAB
110	X1679110	FENCE TILT SLEEVE
111	X1679111	LOCKING SCREW 1/2"-12 X 3 3/4"
112	XPNO2	HEX NUT 5/16"-18
113	X1679113	FENCE LOCK BRACKET
114	XPW06	FLAT WASHER 1/4"
115	XPNO1	HEX NUT 1/2"-20
116	X1679116	FENCE
117	X1679117	FENCE HINGE
118	XPNO8	HEX NUT 3/8"-16
119	X1679119	KNOB 3/8"
120	X1679120	FENCE BRACKET
121	X1679121	SPECIAL SCREW 5/16"-18 X 1 1/4"
122	X1679122	FENCE ADJUSTMENT ROD
123	X1679123	90° STOP
124	X1679124	SPECIAL BOLT 5/16"-18 X 5/8"
125	XPNO9	HEX NUT 5/8"-18
126	X1679126	FENCE BASE
127	XPB03	HEX BOLT 5/16"-18 x 1"
128	XPB22	HEX BOLT 5/16"-18 x 1 3/4"
129	XPS07	PHLP HD SCREW 1/4"-20 x 3/8"
130	X1679130	SUPPORT
131	XPW01	FLAT WASHER 1/2"
132	X1679132	SPECIAL NUT 1/2"-12





REF	PART #	DESCRIPTION
201	X1679001	INFEED TABLE
202	X1679002	GIB
203	XPSS01	SETSCREW 5/16"-18 x 1"
204	X1679004	TABLE ADJUST ROD
205	XPSS11	SETSCREW 1/4"-20 x 1/4"
206	X1679006	LEAD SCREW
207	XPW07	FLAT WASHER 5/16"
208	X1679008	CUTTERHEAD WARNING LABEL
209	X1679009	STUD
210	X1679010	SPRING
211	X1679011	HOUSING MOUNT
212	XPSB03	CAP SCREW 5/16"-18 x 1"
213	X1679013	POINTER
214	X1679014	FENCE SUPPORT
215	XPW02	FLAT WASHER 3/8"
216	X1679016	SPRING PIN
217	XPS23	PHLP HD SCREW 8-32 x 1/4"
218	X1679018	LABEL
219	XPW07	FLAT WASHER 5/16"
220	XPS01	PHLP HD SCREW 3/16"-24 x 1/2"
221	XPSS31M	SETSCREW M5-.08 x 8
222	XPB57	HEX BOLT 1/4"-20 x 1/4"
223	W1400	PUSH BLOCK
224	X1679024	SPACER
225	XPNO2	HEX NUT 5/16"-18
226	X1679226	BASE
227	X1679227	OUTFEED TABLE
228	X1679228	TABLE LOCK HANDLE
229	XPNO2	HEX NUT 5/16"-18
230	X1679230	HANDWHEEL
231	X1679231	LOCK COLLAR
232	X1679232	BELT GUARD
233	X1679233	LEAD SCREW BRACKET
234	X1679234	CUTTERHEAD GUARD

REF	PART #	DESCRIPTION
235	X1679235	SPRING PLATE
236	X1679236	SPRING HOUSING
237	XPS25	PHLP HD SCREW 8-32 x 5/8"
238	X1679238	SCALE
239	X1679239	RIVET
240	XPB24	HEX BOLT 3/8"-16 x 1 1/4"
241	X1679241	FENCE SUPPORT KEY
242	XPW02	FLAT WASHER 3/8"
243	XPB23	HEX BOLT 5/16"-18 x 2 1/2"
244	X1679244	LOCK HANDLE 5/16"-18 x 1-1/4"
245	XPW03	FLAT WASHER #10
246	XPW01	FLAT WASHER 1/2"
247	X1679247	CAUTION CARD
248	XPW06	FLAT WASHER 1/4"
249	X1679249	KNOB
250	XPB22	HEX BOLT 5/16"-18 x 1 3/4"
301	D3165	KNIVES SET OF THREE
302	X1679302	KNIFE GIB
303	XPNO11	HEX NUT 3/8"-24
304	X1679304	STUD
305	XP6202	BEARING 6202-2RS
306	XP6203	BEARING 6203-2RS
307	X1679307	PULLEY
308	X1679308	KNIFE SETTING GAUGE
309	X1679309	CUTTER HEAD
310	X1679310	SPRING
311	X1679311	GIB BOLT
312	XPLW03	LOCK WASHER #10
313	X1679313	BEARING BLOCK
314	XPB23M	KEY 5 x 5 x 25MM
315	X1679315	BEARING BLOCK
316	XPSS03	SETSCREW 1/4"-20 x 3/8"
317	X1679317	FLAT HD ALLN SCR 10-24 X 1/2"

WARRANTY CARD

Name _____
Street _____
City _____ State _____ Zip _____
Phone Number _____ E-Mail _____ FAX _____
MODEL # _____ Serial # _____

The following information is given on a voluntary basis and is strictly confidential.

CUT ALONG DOTTED LINE

- Where did you purchase your Shop Fox® machine?

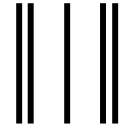
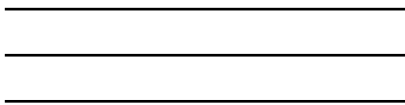
- How did you first learn about us?
 Advertisement Friend
 Mail order Catalog Local Store
 World Wide Web Site

 Other _____
- Which of the following magazines do you subscribe to.
 American Woodworker Today's Homeowner
 Cabinetmaker Wood
 Family Handyman Wooden Boat
 Fine Homebuilding Woodshop News
 Fine Woodworking Woodsmith
 Home Handyman Woodwork
 Journal of Light Construction Woodworker
 Old House Journal Woodworker's Journal
 Popular Mechanics Workbench
 Popular Science American How-To
 Popular Woodworking
 Other _____
- Which of the following woodworking/remodeling shows do you watch?
 Backyard America The New Yankee Workshop
 Home Time This Old House
 The American Woodworker Woodwright's Shop
 Other _____
- What is your annual household income?
 \$20,000-\$29,999 \$60,000-\$69,999
 \$30,000-\$39,999 \$70,000-\$79,999
 \$40,000-\$49,999 \$80,000-\$89,999
 \$50,000-\$59,999 \$90,000 +
- What is your age group?
 20-29 50-59
 30-39 60-69
 40-49 70 +
- How long have you been a woodworker?
 0 - 2 Years 8 - 20 Years
 2 - 8 Years 20+ Years
- How would you rank your woodworking skills?
 Simple Advanced
 Intermediate Master Craftsman
- How many Shop Fox® machines do you own? _____
- What stationary woodworking tools do you own? Check all that apply.
 Air Compressor Panel Saw
 Band Saw Planer
 Drill Press Power Feeder
 Drum Sander Radial Arm Saw
 Dust Collector Shaper
 Horizontal Boring Machine Spindle Sander
 Jointer Table Saw
 Lathe Vacuum Veneer Press
 Mortiser Wide Belt Sander
 Other _____
- Which benchtop tools do you own? Check all that apply.
 1" x 42" Belt Sander 6" - 8" Grinder
 5" - 8" Drill Press Mini Lathe
 8" Table Saw 10" - 12" Thickness Planer
 8" - 10" Bandsaw Scroll Saw
 Disc/Belt Sander Spindle/Belt Sander
 Mini Jointer
 Other _____
- Which portable/hand held power tools do you own? Check all that apply.
 Belt Sander Orbital Sander
 Biscuit Joiner Palm Sander
 Circular Saw Portable Planer
 Detail Sander Saber Saw
 Drill/Driver Reciprocating Saw
 Miter Saw Router
 Other _____
- What machines/supplies would you like to see?

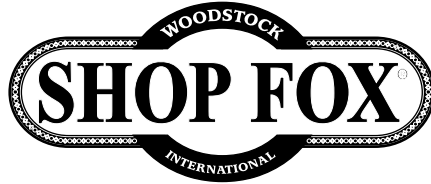
- What new accessories would you like Woodstock International to carry?

- Do you think your purchase represents good value?
 Yes No
- Would you recommend Shop Fox® products to a friend?
 Yes No
- Comments: _____

FOLD ALONG DOTTED LINE



Place
Stamp
Here



WOODSTOCK INTERNATIONAL, INC.
P.O. BOX 2309
BELLINGHAM, WA 98227-2309



FOLD ALONG DOTTED LINE

TAPE ALONG EDGES--PLEASE DO NOT STAPLE

Free Manuals Download Website

<http://myh66.com>

<http://usermanuals.us>

<http://www.somanuals.com>

<http://www.4manuals.cc>

<http://www.manual-lib.com>

<http://www.404manual.com>

<http://www.luxmanual.com>

<http://aubethermostatmanual.com>

Golf course search by state

<http://golfingnear.com>

Email search by domain

<http://emailbydomain.com>

Auto manuals search

<http://auto.somanuals.com>

TV manuals search

<http://tv.somanuals.com>